



Declaration of Conformity

CE

We, Harman Consumer Group, Inc.
2, route de Tours
72500 Château du Loir
France

declare in own responsibility that the products described in this owner's manual
are in compliance with technical standards:

EN 61000-6-3:2001
EN 61000-6-1:2001

Klaus Leberer
Harman Consumer Group, Inc.
Château du Loir, France 11/07



H A Harman International Company

A valid serial number is required for warranty coverage.
Features, specifications and appearance are subject to change without notice.
This product is designed for mobile applications and is not intended for connection to the mains.
© 2007 Harman International Industries, Incorporated. All rights reserved. Part No. GT5ENCOM11/07
JBL and Grand Touring are trademarks of Harman International Industries, Incorporated.
registered in the United States and/or other countries.

GT5 enclosures are warranted against defects. The duration of the enclosure's warranty depends on the laws in the country in which it was purchased. Your local JBL car audio retailer can help you determine the length of your warranty. To register your product, please visit us at www.jbl.com.

WARRANTY

The loudspeaker may be cleaned with a damp cloth. Do not use any cleaners or solvents on the grilles or the speaker cones.

GENERAL CARE

Power Handling, RMS	275W	GT5-1204BP
Power Handling, Peak	1100W	GT5-2402BR
Frequency Response	40Hz - 200Hz	GT5-1204BR
Impedance	4 Ohms	
	2 Ohms	
	45Hz - 150Hz	
	1100W	
	275W	

SPECIFICATIONS



THE OFFICIAL BRAND OF LIVE MUSIC.

Designed and Engineered in the USA

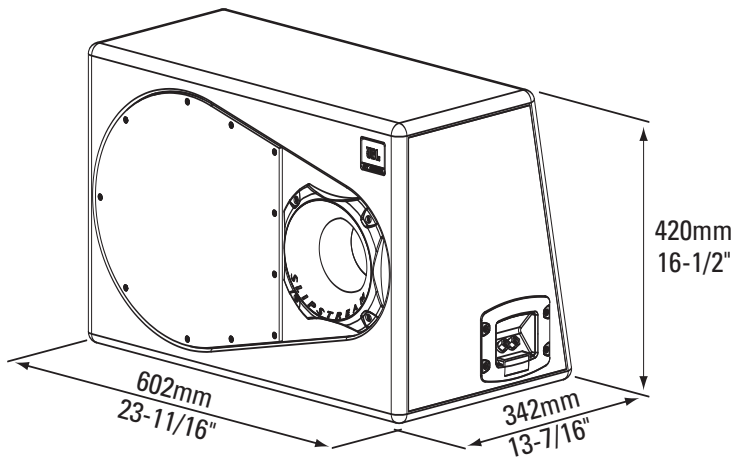
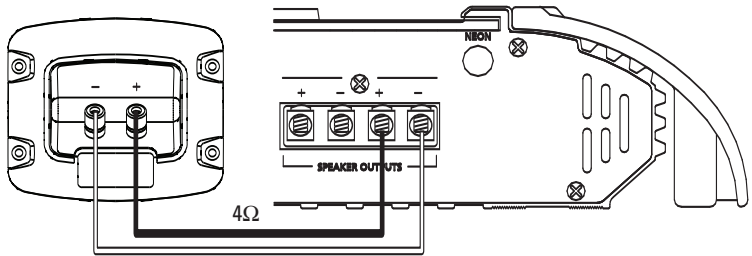
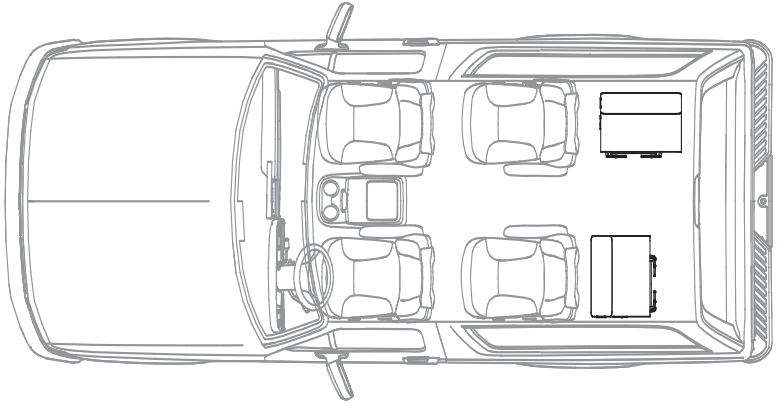
GRAND TOURING® SERIES

GT5-1204BP
GT5-2402BR
GT5-1204BR

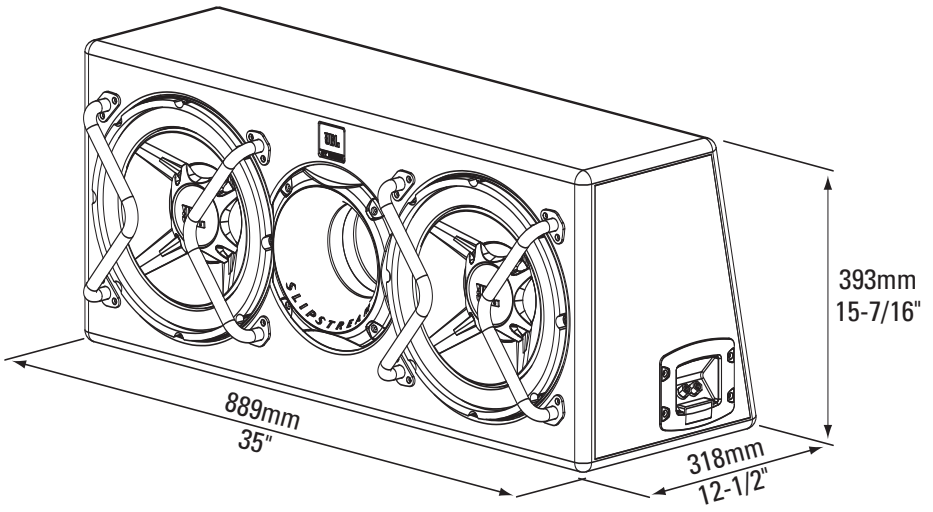
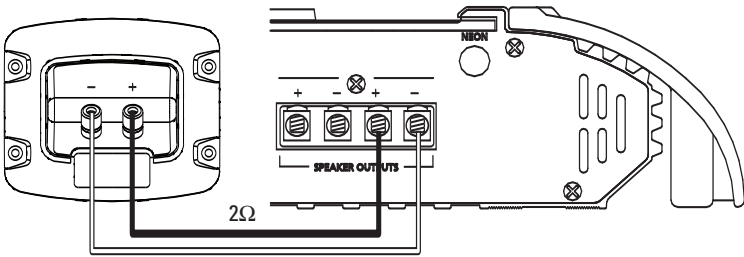
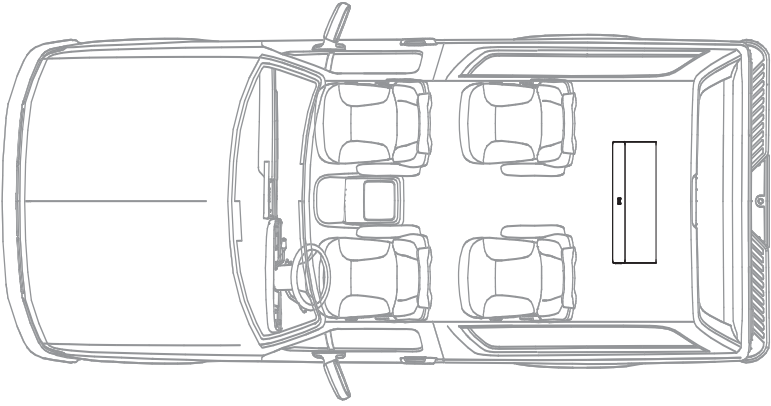
subwoofer enclosures
owner's manual



GT5-1204BP



GT5-2402BR



GT5-1204BR

