

# SKIL®

## RECIPROCATING SAW 4900 (F0154900 . .)



<b>GB</b>	ORIGINAL INSTRUCTIONS	6	<b>UA</b>	ОРИГІНАЛЬНА ІНСТРУКЦІЯ З ЕКСПЛУАТАЦІЇ	62
<b>F</b>	NOTICE ORIGINALE	9	<b>GR</b>	ΠΡΩΤΟΤΥΠΟ ΟΔΗΓΙΩΝ ΧΡΗΣΗΣ	65
<b>D</b>	ORIGINALBETRIEBSANLEITUNG	12	<b>RO</b>	INSTRUCȚIUNI DE FOLOSIRE ORIGINALE	70
<b>NL</b>	ORIGINELE GEBRUIKSAANWIJZING	16	<b>BG</b>	ОРИГИНАЛНО РЪКОВОДСТВО ЗА ЕКСПЛОАТАЦИЯ	73
<b>S</b>	BRUKSANVISNING I ORIGINAL	20	<b>SK</b>	PŔOVODNÝ NÁVOD NA POUŽITIE	77
<b>DK</b>	ORIGINAL BRUGSANVISNING	23	<b>HR</b>	ORIGINALNE UPUTE ZA RAD	81
<b>N</b>	ORIGINAL BRUKSANVISNING	26	<b>SRB</b>	ORIGINALNO UPUTSTVO ZA RAD	84
<b>FIN</b>	ALKUPERÄISET OHJEET	29	<b>SLO</b>	IZVIRNA NAVODILA	87
<b>E</b>	MANUAL ORIGINAL	33	<b>EST</b>	ALGUPÄRANE KASUTUSJUHEND	90
<b>P</b>	MANUAL ORIGINAL	36	<b>LV</b>	ORIĢINĀLĀ LIETOŠANAS PAMĀCĪBA	94
<b>I</b>	ISTRUZIONI ORIGINALI	40	<b>LT</b>	ORIGINALI INSTRUKCIJA	97
<b>H</b>	EREDETI HASZNÁLATI UTASÍTÁS	44	<b>MK</b>	ИЗБОРНО УПАТСТВО ЗА РАБОТА	101
<b>CZ</b>	PŔVODNÍM NÁVODEM K POUŽÍVÁNÍ	47	<b>AL</b>	UDHËZIMET ORIGINALE	105
<b>TR</b>	ORİJİNAL İŞLETME TALİMATI	51	<b>AR</b>	دليل الاستعمال	115
<b>PL</b>	INSTRUKCJA ORYGINALNA	54	<b>FA</b>	راهنمای اصلی	113
<b>RU</b>	ПОДЛИННИК РУКОВОДСТВА ПО ЭКСПЛУАТАЦИИ	57			



1 4900

1050  
Watt

3,7 kg  
EPTA 01/2003

$n_0$   
800-2700  
/min

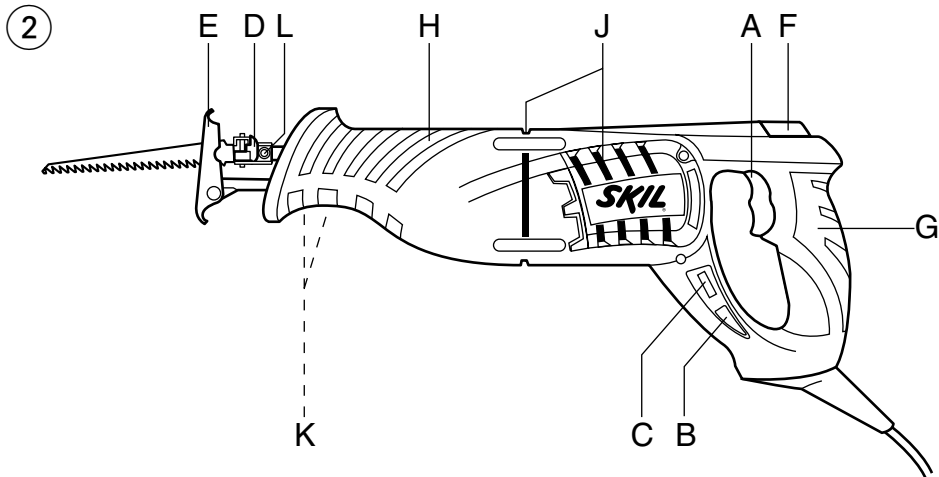
28  
mm

180 mm

Alu  
30 mm

Fe  
20 mm

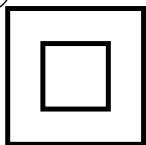
220  
-  
240  
V~  
50-60 Hz



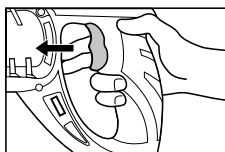
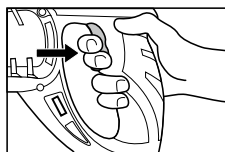
3



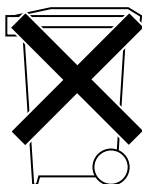
4

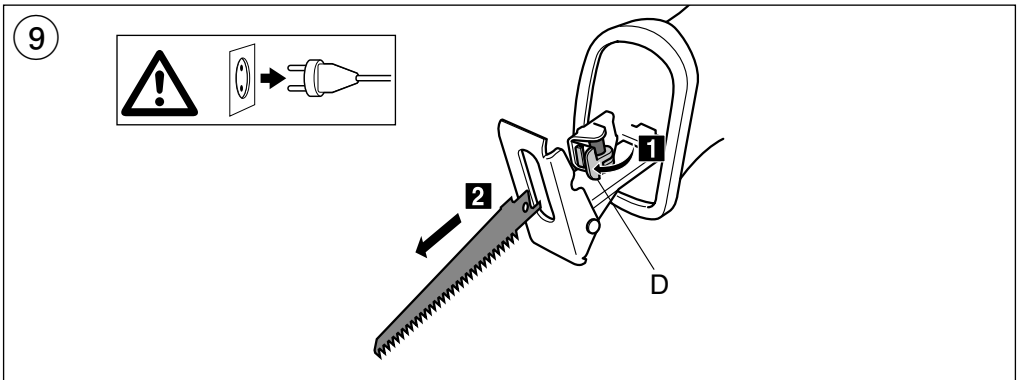
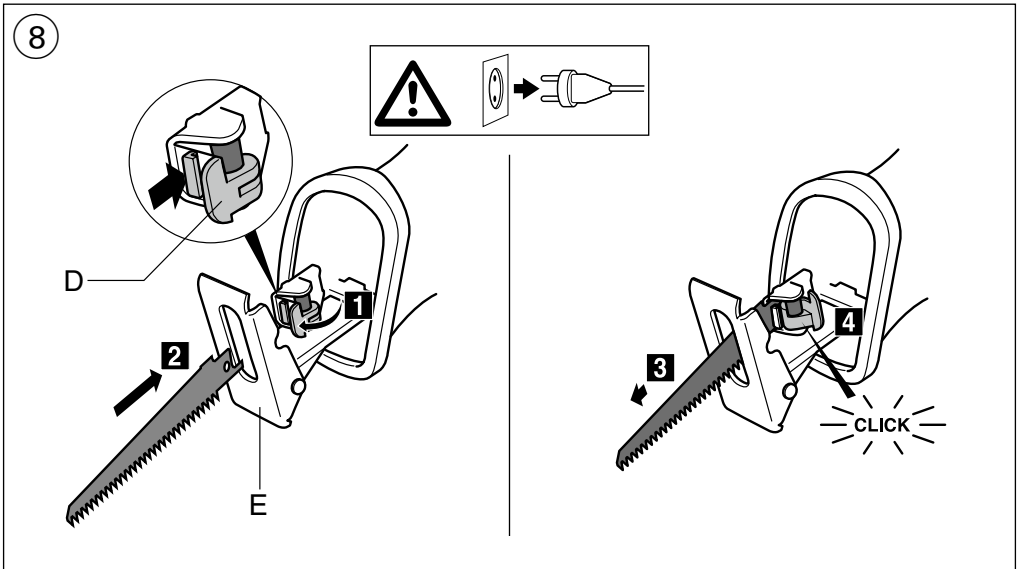
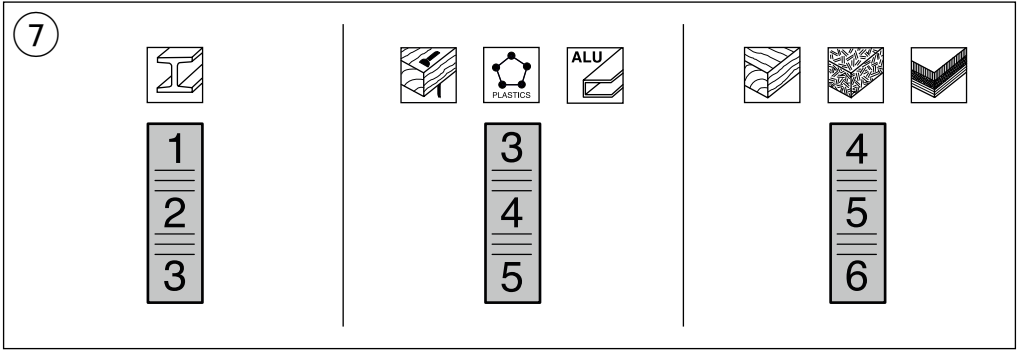


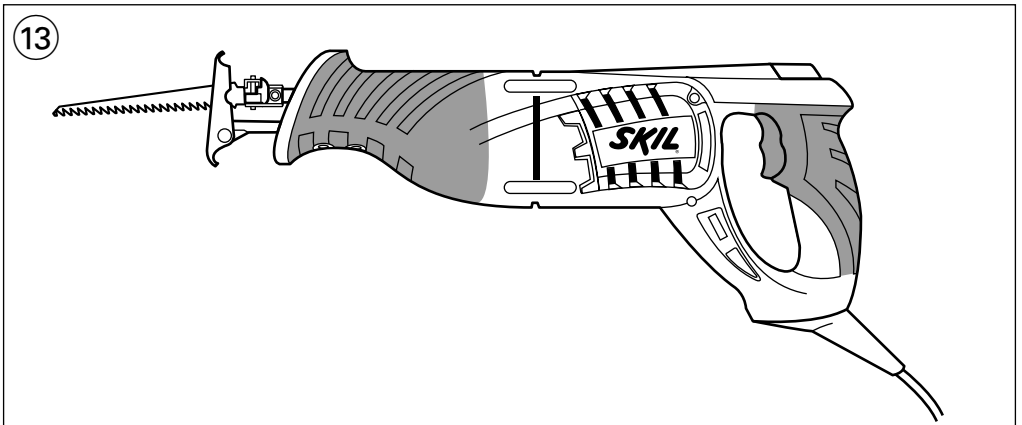
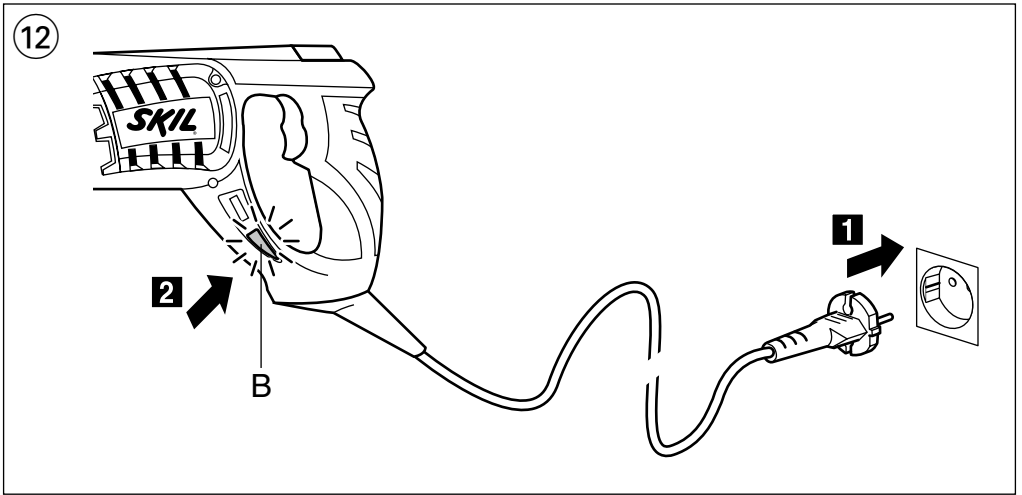
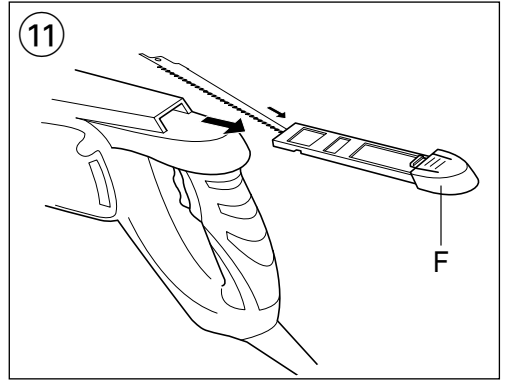
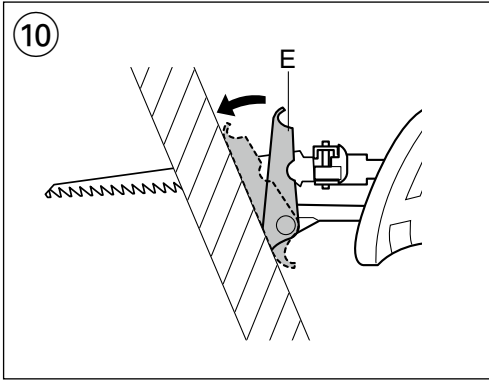
6

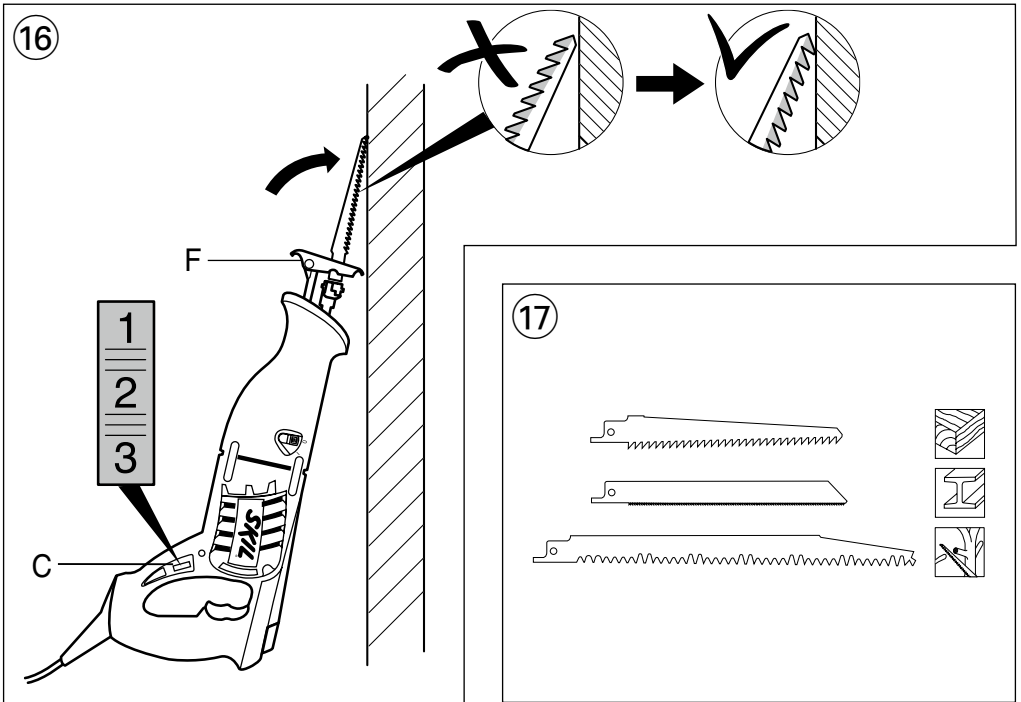
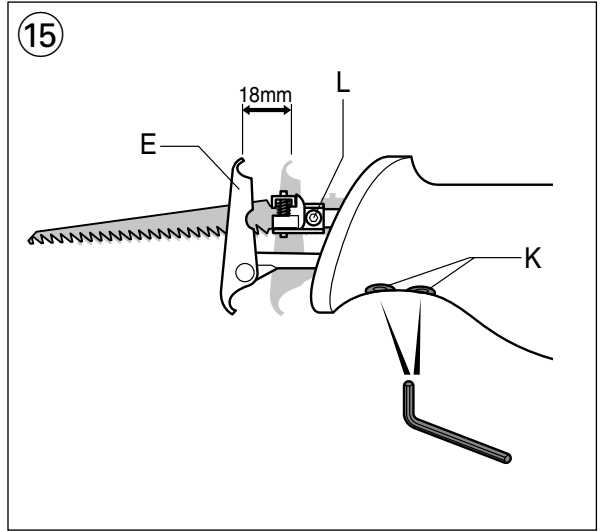
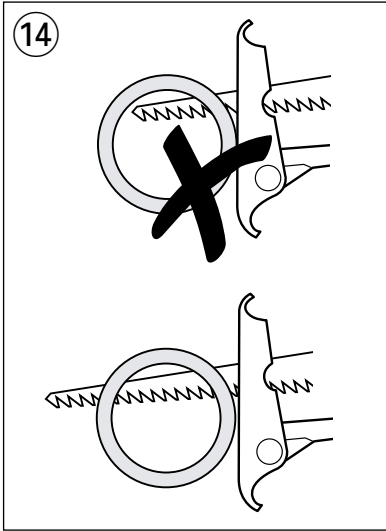


5









## Reciprocating saw

4900

### INTRODUCTION

- This tool is intended for cutting of wood, plastic, metal and building materials as well as for pruning and tree trimming; it is suitable for straight and curved cuts
- This tool is not intended for professional use
- Read and save this instruction manual ③

### TECHNICAL DATA ①

### TOOL ELEMENTS ②

- A On/off switch
- B Indicator "Power On"
- C Speed selection wheel
- D Blade clamp
- E Adjustable footplate
- F Blade storage compartment
- G Handle
- H Barrel grip
- J Ventilation slots
- K Fastening bolts
- L Blade holder screw

### SAFETY

#### GENERAL SAFETY INSTRUCTIONS

**⚠ WARNING! Read all safety warnings and all instructions.** Failure to follow the warnings and instructions may result in electric shock, fire and/or serious injury. **Save all warnings and instructions for future reference.** The term "power tool" in the warnings refers to your mains-operated (corded) power tool or battery-operated (cordless) power tool.

#### 1) WORK AREA SAFETY

- a) **Keep work area clean and well lit.** Cluttered or dark areas invite accidents.
- b) **Do not operate power tools in explosive atmospheres, such as in the presence of flammable liquids, gases or dust.** Power tools create sparks which may ignite the dust or fumes.
- c) **Keep children and bystanders away while operating a power tool.** Distractions can cause you to lose control.

#### 2) ELECTRICAL SAFETY

- a) **Power tool plugs must match the outlet. Never modify the plug in any way. Do not use any adapter plugs with earthed (grounded) power tools.** Unmodified plugs and matching outlets will reduce risk of electric shock.
- b) **Avoid body contact with earthed or grounded surfaces such as pipes, radiators, ranges and refrigerators.** There is an increased risk of electric shock if your body is earthed or grounded.
- c) **Do not expose power tools to rain or wet conditions.** Water entering a power tool will increase the risk of electric shock.

- d) **Do not abuse the cord. Never use the cord for carrying, pulling or unplugging the power tool. Keep cord away from heat, oil, sharp edges or moving parts.** Damaged or entangled cords increase the risk of electric shock.
- e) **When operating a power tool outdoors, use an extension cord suitable for outdoor use.** Use of a cord suitable for outdoor use reduces the risk of electric shock.
- f) **If operating a power tool in a damp location is unavoidable, use a residual current device (RCD) protected supply.** Use of an RCD reduces the risk of electric shock.

#### 3) PERSONAL SAFETY

- a) **Stay alert, watch what you are doing and use common sense when operating a power tool. Do not use a power tool while you are tired or under the influence of drugs, alcohol or medication.** A moment of inattention while operating power tools may result in serious personal injury.
  - b) **Use personal protective equipment. Always wear eye protection.** Protective equipment such as dust mask, non-skid safety shoes, hard hat, or hearing protection used for appropriate conditions will reduce personal injuries.
  - c) **Prevent unintentional starting. Ensure the switch is in the off-position before connecting to power source and/or battery pack, picking up or carrying the tool.** Carrying power tools with your finger on the switch or energising power tools that have the switch on invites accidents.
  - d) **Remove any adjusting key or wrench before turning the power tool on.** A wrench or a key left attached to a rotating part of the power tool may result in personal injury.
  - e) **Do not overreach. Keep proper footing and balance at all times.** This enables better control of the power tool in unexpected situations.
  - f) **Dress properly. Do not wear loose clothing or jewelry. Keep your hair, clothing and gloves away from moving parts.** Loose clothes, jewelry or long hair can be caught in moving parts.
  - g) **If devices are provided for the connection of dust extraction and collection facilities, ensure these are connected and properly used.** Use of dust collection can reduce dust-related hazards.
- #### 4) POWER TOOL USE AND CARE
- a) **Do not force the power tool. Use the correct power tool for your application.** The correct power tool will do the job better and safer at the rate for which it was designed.
  - b) **Do not use the power tool if the switch does not turn it on and off.** Any power tool that cannot be controlled with the switch is dangerous and must be repaired.
  - c) **Disconnect the plug from the power source and/or the battery pack from the power tool before making any adjustments, changing accessories, or storing power tools.** Such preventive safety measures reduce the risk of starting the power tool accidentally.
  - d) **Store idle power tools out of the reach of children and do not allow persons unfamiliar with the power tool or these instructions to operate the power tool.**

Power tools are dangerous in the hands of untrained users.

- e) **Maintain power tools. Check for misalignment or binding of moving parts, breakage of parts and any other condition that may affect the power tool's operation. If damaged, have the power tool repaired before use.** Many accidents are caused by poorly maintained power tools.
  - f) **Keep cutting tools sharp and clean.** Properly maintained cutting tools with sharp cutting edges are less likely to bind and are easier to control.
  - g) **Use the power tool, accessories and tool bits etc., in accordance with these instructions, taking into account the working conditions and the work to be performed.** Use of the power tool for operations different from those intended could result in a hazardous situation.
- 5) **SERVICE**
- a) **Have your power tool serviced by a qualified repair person using only identical replacement parts.** This will ensure that the safety of the power tool is maintained.

## SAFETY INSTRUCTIONS FOR RECIPROCATING SAWS

### ACCESSORIES

- SKIL can assure flawless functioning of the tool only when original accessories are used
- Use only accessories with an allowable speed matching at least the highest no-load speed of the tool

### BEFORE USE

- Always check that the supply voltage is the same as the voltage indicated on the nameplate of the tool
- Avoid damage that can be caused by screws, nails and other elements in your workpiece; remove them before you start working

### ELECTRICAL SAFETY

- Use completely unrolled and safe extension cords with a capacity of 16 Amps (U.K. 13 Amps)
- **Hold tool by insulated gripping surfaces when performing an operation where the cutting tool may contact hidden wiring or its own cord** (contact with a "live" wire will also make exposed metal parts of the tool "live" and shock the operator)
- **Use suitable detectors to find hidden utility lines or call the local utility company for assistance** (contact with electric lines can lead to fire or electrical shock; damaging a gas line can result in an explosion; penetrating a water pipe will cause property damage or an electrical shock)

### PERSONAL SAFETY

- In case of electrical or mechanical malfunction, immediately switch off the tool and disconnect the plug
- This tool should not be used by people under the age of 16 years
- **Do not work materials containing asbestos** (asbestos is considered carcinogenic)
- Dust from material such as paint containing lead, some wood species, minerals and metal may be harmful (contact with or inhalation of the dust may cause allergic reactions and/or respiratory diseases to the operator or bystanders); **wear a dust mask and work with a dust extraction device when connectable**
- Certain kinds of dust are classified as carcinogenic (such as oak and beech dust) especially in conjunction with

additives for wood conditioning; **wear a dust mask and work with a dust extraction device when connectable**

- Follow the dust-related national requirements for the materials you want to work with
- **Keep hands away from cutting area and the blade; keep your second hand on barrel grip H ②** (if both hands are holding the saw, they can not be cut by the blade)
- **Do not reach underneath the workpiece** (the proximity of the blade to your hand is hidden from your sight)
- **Never hold piece being cut in your hands or across your leg** (it is important to support the work properly to minimise body exposure, blade binding, or loss of control)
- **Use clamps or other equipment to secure and support the workpiece** (holding the workpiece in your hand or against your body may lead to loss of control)
- **Do not use a dull or damaged blade** (bent blades can break easily or cause kickback)
- **Keep hands away from between the tool housing and blade clamp D ②** (the blade clamp can pinch your fingers)
- **Ensure that blade clamp D ② is tight before making a cut** (a loose clamp may cause the tool or blade to slip with loss of control as a result)
- **Use protective gloves when removing the blade from the tool** (the saw blade may be hot after prolonged use)
- Wear protective glasses and hearing protection

### EXPLANATION OF SYMBOLS ON TOOL

- ③ Read the instruction manual before use
- ④ Double insulation (no earth wire required)
- ⑤ Do not dispose of the tool together with household waste material

WHEN CONNECTING NEW 3-PIN PLUG (U.K. ONLY):

- Do not connect the blue (= neutral) or brown (= live) wire in the cord of this tool to the earth terminal of the plug
- If for any reason the old plug is cut off the cord of this tool, it must be disposed of safely and not left unattended

## USE

- On/off ⑥
- Speed control
  - With wheel C ② the sawing speed can be adjusted from low to high (6 positions)
- Adjusting sawing speed to material used ⑦
  - ! **if the tool does not run with wheel C ② in position 1, select a higher sawing speed and lower the sawing speed while the tool runs**
- Mounting saw blade ⑧
  - ! **disconnect the plug**
    - press blade clamp D forward and hold it in that position
    - insert blade (with teeth facing down or up) to full depth
    - release blade clamp D
    - pull out blade somewhat until clamp D clicks into a square position
    - push in and pull out blade to check whether it is locked correctly
  - ! **ensure that blade clamp D ② is tight before making a cut (a loose clamp may cause the tool or blade to slip with loss of control as a result)**

- ! **ensure that the front end of the blade extends through footplate E for the entire stroke length**
- Removing saw blade ⑨
  - press blade clamp D forward and hold it in that position
  - pull out blade
  - release blade clamp D
- Adjustable footplate ⑩
  - footplate E tilts in order to keep as much of its surface in contact with the workpiece
  - adjust footplate by holding the saw firmly and turning footplate to desired position
- Blade storage compartment ⑪
  - ensure that storage compartment F is closed to prevent blades from falling out
- Operating the tool
  - ! **securely clamp the workpiece**
  - mark the cutting line on the workpiece
  - select desired sawing speed with wheel C ②
  - connect plug to power source (light B turns on indicating that the tool is receiving power) ⑫
  - hold the tool with one hand on handle G ② and the other on the insulated barrel grip H ②
  - switch on the tool
  - ! **the tool should run at full speed before the blade enters the workpiece**
  - guide the tool along the marked cutting line
  - keep footplate E ② firmly against the workpiece to minimize counter-force and vibration
- Holding and guiding the tool
  - ! **while working, always hold the tool at the grey-coloured grip area(s) ⑬**
  - keep ventilation slots J ② uncovered
  - do not apply too much pressure on the tool; let the tool do the work for you
  - ! **ensure that the saw blade extends beyond the work throughout the stroke ⑭**
- Adjusting effective sawing depth ⑮
  - use both fastening bolts K for sliding footplate E forward/backwards in order to enlarge/reduce the effective sawing depth
  - ! **do not attempt to adjust the effective stroke length with screw L which is pre-set at manufacturing**

## APPLICATION ADVICE

- Plunge cutting ⑯
  - Plunge cuts can be made in wood and other soft materials without pre-drilling a hole
  - use a thick saw blade
  - mount the blade with the teeth facing upward
  - hold the saw upside down as illustrated
  - mark desired cutting line on the workpiece
  - select position 1, 2 or 3 with wheel C
  - tilt the tool so that the blade does not touch the workpiece
  - switch on the tool and carefully engage the moving saw blade into the workpiece
  - after the blade has penetrated through the workpiece continue sawing along the marked cutting line
  - ! **do not make plunge cuts in metal materials**

- Use the appropriate saw blades ⑰
- When cutting metals, lubricate saw blade regularly with oil
- Splinter-free cutting
  - cover cutting-line with several layers of wide tape before cutting
  - always face the good side of the workpiece down
- For more tips see [www.skil.com](http://www.skil.com)

## MAINTENANCE / SERVICE

- This tool is not intended for professional use
- Always keep tool and cord clean (especially ventilation slots J ②)
  - ! **disconnect the plug before cleaning**
- If the tool should fail despite the care taken in manufacturing and testing procedures, repair should be carried out by an after-sales service centre for SKIL power tools
  - send the tool **undismantled** together with proof of purchase to your dealer or the nearest SKIL service station (addresses as well as the service diagram of the tool are listed on [www.skil.com](http://www.skil.com))

## ENVIRONMENT

- **Do not dispose of electric tools, accessories and packaging together with household waste material** (only for EU countries)
  - in observance of European Directive 2012/19/EC on waste of electric and electronic equipment and its implementation in accordance with national law, electric tools that have reached the end of their life must be collected separately and returned to an environmentally compatible recycling facility
  - symbol ⑤ will remind you of this when the need for disposing occurs

## DECLARATION OF CONFORMITY CE

### Reciprocating saw 4900

#### Technical data ①

- We declare under our sole responsibility that the product described under "Technical data" is in conformity with the following standards or standardization documents: EN 60745, EN 61000, EN 55014, in accordance with the provisions of the directives 2004/108/EC (until 19.04.2016), 2014/30/EU (from 20.04.2016), 2006/42/EC, 2011/65/EU
- **Technical file at:** SKIL Europe BV (PT-SEU/ENG1), 4825 BD Breda, NL

Marijn van der Hoofden  
Operations & Engineering

Olaf Dijkgraaf  
Approval Manager




SKIL Europe BV, 4825 BD Breda, NL

12.03.2015



## NOISE/VIBRATION

- Measured in accordance with EN 60745 the sound pressure level of this tool is 90 dB(A) and the sound power level 101 dB(A) (standard deviation: 3 dB), and the vibration \* (triax vector sum; uncertainty K = 1.5 m/s<sup>2</sup>)
    - \* when cutting chipboard 12.1 m/s<sup>2</sup>
    - \* when cutting wooden beams 12.2 m/s<sup>2</sup>
  - The vibration emission level has been measured in accordance with a standardised test given in EN 60745; it may be used to compare one tool with another and as a preliminary assessment of exposure to vibration when using the tool for the applications mentioned
    - using the tool for different applications, or with different or poorly maintained accessories, may significantly increase the exposure level
    - the times when the tool is switched off or when it is running but not actually doing the job, may significantly reduce the exposure level
- ! protect yourself against the effects of vibration by maintaining the tool and its accessories, keeping your hands warm, and organizing your work patterns**

F

## Scie sabre

4900

## INTRODUCTION

- Cet outil est conçu pour la découpe du bois, du plastique, du métal et des matériaux de construction, ainsi que pour l'élagage et l'ébranchage ; il convient pour les coupes droites et curvilignes
- Cet outil n'est conçu pour un usage professionnel
- Lisez et conservez ce manuel d'instruction ③

## CARACTERISTIQUES TECHNIQUES ①

### ELEMENTS DE L'OUTIL ②

- A Interrupteur marche/arrêt
- B Témoin d'alimentation
- C Molette pour régler la vitesse
- D Serrage de lame
- E Affût réglable
- F Compartiment de rangement des lames
- G Poignée
- H Poignée cylindrique
- J Fentes de ventilation
- K Boulons de fixation
- L Vis du porte-lame

## SECURITE

### INSTRUCTIONS GENERALES DE SECURITE

**⚠ ATTENTION! Lisez tous les avertissements de sécurité et toutes les instructions.** Ne pas suivre les avertissements et instructions peut entraîner un choc électrique, un incendie et/ou de graves blessures sur les personnes. **Conservez tous les avertissements et toutes les instructions pour pouvoir s'y reporter**

**ultérieurement.** La notion d'"outil électroportatif" dans les avertissements se rapporte à des outils électriques raccordés au secteur (avec câble de raccordement) et à des outils électriques à batterie (sans câble de raccordement).

### 1) SECURITE DE LA ZONE DE TRAVAIL

- Maintenez l'endroit de travail propre et bien éclairé.**  
Un lieu de travail en désordre ou mal éclairé augmente le risque d'accidents.
- N'utilisez pas l'appareil dans un environnement présentant des risques d'explosion et où se trouvent des liquides, des gaz ou poussières inflammables.** Les outils électroportatifs génèrent des étincelles risquant d'enflammer les poussières ou les vapeurs.
- Tenez les enfants et autres personnes éloignés durant l'utilisation de l'outil électroportatif.** En cas d'inattention vous risquez de perdre le contrôle sur l'appareil.

### 2) SECURITE RELATIVE AU SYSTEME ELECTRIQUE

- La fiche de secteur de l'outil électroportatif doit être appropriée à la prise de courant. Ne modifiez en aucun cas la fiche. N'utilisez pas de fiches d'adaptateur avec des appareils avec mise à la terre.** Les fiches non modifiées et les prises de courant appropriées réduisent le risque de choc électrique.
- Évitez le contact physique avec des surfaces mises à la terre telles que tuyaux, radiateurs, fours et réfrigérateurs.** Il y a un risque élevé de choc électrique au cas où votre corps serait relié à la terre.
- N'exposez pas l'outil électroportatif à la pluie ou à l'humidité.** La pénétration d'eau dans un outil électroportatif augmente le risque d'un choc électrique.
- N'utilisez pas le câble à d'autres fins que celles prévues, n'utilisez pas le câble pour porter l'appareil ou pour l'accrocher ou encore pour le débrancher de la prise de courant. Maintenez le câble éloigné des sources de chaleur, des parties grasses, des bords tranchants ou des parties de l'appareil en rotation.** Un câble endommagé ou torsadé augmente le risque d'un choc électrique.
- Au cas où vous utiliseriez l'outil électroportatif à l'extérieur, utilisez une rallonge autorisée homologuée pour les applications extérieures.** L'utilisation d'une rallonge électrique homologuée pour les applications extérieures réduit le risque d'un choc électrique.
- Si l'usage d'un outil dans un emplacement humide est inévitable, utilisez un disjoncteur de fuite à la terre.** L'utilisation d'un disjoncteur de fuite à la terre réduit le risque de choc électrique.

### 3) SECURITE DES PERSONNES

- Restez vigilant, surveillez ce que vous faites. Faites preuve de bon sens en utilisant l'outil électroportatif. N'utilisez pas l'appareil lorsque vous êtes fatigué ou après avoir consommé de l'alcool, des drogues ou avoir pris des médicaments.** Un moment d'inattention lors de l'utilisation de l'appareil peut entraîner de graves blessures sur les personnes.
- Portez des équipements de protection. Portez toujours des lunettes de protection.** Le fait de porter

des équipements de protection personnels tels que masque anti-poussières, chaussures de sécurité antidérapantes, casque de protection ou protection acoustique suivant le travail à effectuer, réduit le risque de blessures.

- c) **Évitez tout démarrage intempestif. S'assurez que l'interrupteur est en position arrêté avant de brancher l'outil au secteur et/ou au bloc de batteries, de le ramasser ou de le porter.** Porter les outils en ayant le doigt sur l'interrupteur ou brancher des outils dont l'interrupteur est en position marche est source d'accidents.
- d) **Enlevez tout outil de réglage ou toute clé avant de mettre l'appareil en fonctionnement.** Une clé ou un outil se trouvant sur une partie en rotation peut causer des blessures.
- e) **Ne surestimez pas vos capacités. Veillez à garder toujours une position stable et équilibrée.** Ceci vous permet de mieux contrôler l'appareil dans des situations inattendues.
- f) **Portez des vêtements appropriés. Ne portez pas de vêtements amples ni de bijoux. Maintenez cheveux, vêtements et gants éloignés des parties de l'appareil en rotation.** Des vêtements amples, des bijoux ou des cheveux longs peuvent être happés par des pièces en mouvement.
- g) **Si des dispositifs servant à aspirer ou à recueillir les poussières doivent être utilisés, vérifiez que ceux-ci soient effectivement raccordés et qu'ils sont correctement utilisés.** L'utilisation des collecteurs de poussière réduit les dangers dus aux poussières.

#### 4) UTILISATION ET EMPLOI SOIGNEUX DE L'OUTIL ELECTROPORTATIF

- a) **Ne surchargez pas l'appareil. Utilisez l'outil électroportatif approprié au travail à effectuer.** Avec l'outil électroportatif approprié, vous travaillerez mieux et avec plus de sécurité à la vitesse pour laquelle il est prévu.
- b) **N'utilisez pas un outil électroportatif dont l'interrupteur est défectueux.** Un outil électroportatif qui ne peut plus être mis en ou hors fonctionnement est dangereux et doit être réparé.
- c) **Débranchez la fiche de la source d'alimentation en courant et/ou le bloc de batteries de l'outil avant tout réglage, changement d'accessoires ou avant de ranger l'outil.** Cette mesure de précaution empêche une mise en fonctionnement par mégarde.
- d) **Gardez les outils électroportatifs non utilisés hors de portée des enfants. Ne permettez pas l'utilisation de l'appareil à des personnes qui ne se sont pas familiarisées avec celui-ci ou qui n'ont pas lu ces instructions.** Les outils électroportatifs sont dangereux lorsqu'ils sont utilisés par des personnes non initiées.
- e) **Prenez soin des outils électroportatifs. Vérifiez que les parties en mouvement fonctionnent correctement et qu'elles ne soient pas coincées, et contrôlez si des parties sont cassées ou endommagées de telle sorte que le bon fonctionnement de l'appareil s'en trouve entravé. Faites réparer les parties endommagées avant d'utiliser l'appareil.** De nombreux accidents sont dus à des outils électroportatifs mal entretenus.

#### f) Maintenez les outils de coupe aiguisés et propres.

Des outils soigneusement entretenus avec des bords tranchants bien aiguisés se coincent moins souvent et peuvent être guidés plus facilement.

#### g) Utilisez les outils électroportatifs, les accessoires, les outils à monter etc. conformément à ces instructions. Tenez compte également des conditions de travail et du travail à effectuer.

L'utilisation des outils électroportatifs à d'autres fins que celles prévues peut entraîner des situations dangereuses.

#### 5) SERVICE

- a) **Ne faites réparer votre outil électroportatif que par un personnel qualifié et seulement avec des pièces de rechange d'origine.** Ceci permet d'assurer la sécurité de l'appareil.

### INSTRUCTIONS DE SECURITE POUR SCIES SABRES

#### ACCESSOIRES

- SKIL ne peut se porter garant du bon fonctionnement de cet outil que s'il a été utilisé avec les accessoires d'origine
- La vitesse admissible des accessoires utilisées doit être au moins aussi élevée que la vitesse à vide maximale de l'outil

#### AVANT L'USAGE

- Contrôlez toujours si la tension secteur correspond à la tension indiquée sur la plaquette signalétique de l'outil
- Faites attention aux vis, clous ou autres éléments qui pourraient se trouver dans la pièce à travailler et qui risqueraient d'endommager très fortement votre outil; enlevez-les avant de commencer le travail

#### SECURITE RELATIVE AU SYSTEME ELECTRIQUE

- Utilisez un câble de prolongement complètement déroulé et de bonne qualité d'une capacité de 16 A
- **Tenez l'outil par ses surfaces antidérapantes isolées lorsque vous effectuez une opération où la zone de coupe peut entrer en contact avec des fils cachés ou son propre cordon** (si elles entrent en contact avec un fil sous tension, les parties métalliques exposées de l'outil risquent d'électrocuter l'utilisateur)
- **Utilisez des détecteurs appropriés afin de localiser la présence de conduites électriques ou bien s'adresser à la société locale de distribution** (un contact avec des lignes électriques peut provoquer un incendie et une décharge électrique; le fait d'endommager une conduite de gaz peut entraîner une explosion; le fait d'endommager une conduite d'eau peut entraîner des dégâts matériels ou causer une décharge électrique)

#### SECURITE DES PERSONNES

- En cas de dysfonctionnement électrique ou mécanique, mettez directement l'outil hors service et débranchez la fiche
- Cet outil ne doit pas être utilisé par des personnes de moins de 16 ans
- **Ne travaillez pas de matériaux contenant de l'amiante** (l'amiante est considérée comme étant cancérigène)
- La poussière de matériaux, tels que la peinture contenant du plomb, certaines espèces de bois, certains minéraux et différents métaux, peut être nocive (le contact avec la

poussière ou son inhalation peut provoquer des réactions allergiques et/ou des maladies respiratoires chez l'opérateur ou des personnes se trouvant à proximité); **portez un masque antipoussières et travaillez avec un appareil de dépoussiérage lorsqu'il est possible d'en connecter un**

- Certains types de poussières sont classifiés comme étant cancérogènes (tels que la poussière de chêne ou de hêtre), en particulier en combinaison avec des additifs de traitement du bois; **portez un masque antipoussières et travaillez avec un appareil de dépoussiérage lorsqu'il est possible d'en connecter un**
- Suivez les directives nationales relatives au dépoussiérage pour les matériaux à travailler
- **Tenez les mains à l'écart de la zone de coupe et de la lame; tenez la poignée cylindrique H ②** avec l'autre main (si les deux mains tiennent la scie, elles ne pourront pas entrer en contact avec la lame)
- **Ne placez pas la main sous la pièce** (la lame étant proche de la main, elle est hors de votre vue)
- **Ne tenez jamais la pièce à couper de la main ou en travers de la jambe** (la pièce doit être soutenue correctement pour réduire l'exposition des parties du corps, l'adhésion de la lame ou la perte de contrôle)
- **Utilisez des pinces ou un outil quelconque pour fixer et soutenir la pièce à travailler** (si vous la tenez dans la main ou contre votre corps, elle risque de vous échapper)
- **N'utilisez pas de lame émoussée ou endommagée** (une lame tordue risque de se briser facilement ou de provoquer un effet de rebond)
- **Tenez les mains à l'écart du corps de l'outil et du serrage de lame D ②** (celui-ci risquerait de vous pincer les doigts)
- **Assurez-vous que le serrage de lame D ② est bien serré avant de procéder à la découpe** (sinon, l'outil ou la lame risque de glisser et de vous en faire perdre le contrôle)
- **Utilisez des gants de protection pour retirer la lame** (elle risque d'être brûlante après une utilisation prolongée)
- Utilisez des lunettes de protection et des casques anti-bruit

#### EXPLICATION DES SYMBOLES SUR L'OUTIL

- ③ Veuillez lire le mode d'emploi avant d'utiliser l'outil
- ④ Double-isolation (ne nécessite pas de mise à la terre)
- ⑤ Ne jetez pas l'outil dans les ordures ménagères

## UTILISATION

- Marche/arrêt ⑥
- Contrôle de la vitesse  
La molette C ② vous permet de régler la vitesse de sciage de lente à rapide (6 positions)
- Réglage de la vitesse de sciage en fonction du matériel à utiliser ⑦  
**! si l'outil ne marche pas avec la molette C ② en position 1, sélectionnez une vitesse de sciage plus élevée et ensuite une vitesse plus basse pendant que l'outil marche**
- Montage de la lame de scie ⑧  
**! débranchez la fiche**  
- exercez une pression vers l'avant sur le serrage de lame D et maintenez-le dans cette position

- insérez la lame (les dents vers le bas ou vers le haut) jusqu'au bout
- relâchez le serrage de lame D
- retirez légèrement la lame jusqu'à ce que le dispositif de serrage D se verrouille
- enfoncez la lame et essayez de la retirer pour vous assurer qu'elle est bien en place
- ! assurez-vous que le serrage de lame D ② est bien serré avant de procéder à la découpe (sinon, l'outil ou la lame risque de glisser et de vous en faire perdre le contrôle)**
- ! assurez-vous que l'avant de la lame est bien dans le prolongement de l'affût E sur toute la longueur de la course**
- Retrait de la lame de scie ⑨
  - exercez une pression vers l'avant sur le serrage de lame D et maintenez-le dans cette position
  - retirez la lame
  - relâchez le serrage de lame D
- Affût réglable ⑩
  - l'affût E bascule afin que la plus grande partie possible de sa surface soit au contact de la pièce à travailler
  - réglez l'affût en tenant la scie fermement et en le faisant tourner jusqu'à la position souhaitée
- Compartiment de rangement des lames ⑪
  - assurez-vous que le compartiment de rangement des lames F est bien fermé
- Utilisation de l'outil  
**! fixez solidement la pièce à travailler**
  - tracez la ligne de découpe sur la pièce
  - sélectionnez la vitesse de découpe à l'aide de la molette C ②
  - branchez la fiche sur une prise secteur (le témoin B s'allume pour indiquer que l'appareil est sous tension) ⑫
  - tenez l'outil en plaçant une main sur la poignée G ②
  - l'autre sur la poignée cylindrique isolée H ②
  - mettez en marche l'outil
- ! l'outil doit tourner à pleine vitesse avant que la lame pénètre la pièce à travailler**
  - guidez l'outil le long de la ligne de découpe tracée
  - tenez l'affût E ② fermement contre la pièce pour réduire l'effet de recul et les vibrations
- Tenue et guidage de l'outil  
**! lorsque vous travaillez, tenez toujours l'outil par la(les) zone(s) de couleur grise ⑬**
  - veillez à ce que les fentes de ventilation J ② soient découvertes
  - ne pas appuyez trop fortement sur l'outil; laissez l'outil travailler pour vous
- ! assurez-vous que la lame traverse complètement la pièce à travailler ⑭**
- Réglage de la profondeur de sciage effective ⑮
  - utilisez les deux boulons de fixation K pour glisser l'affût E vers l'avant ou vers l'arrière afin d'agrandir/diminuer la profondeur de sciage effective
- ! ne tenez pas de régler la longueur de course effective avec la vis L; le réglage de cette vis a été prédéfini en usine**

## CONSEILS D'UTILISATION

- Sciage en plongée <sup>(16)</sup>  
Il est possible d'effectuer un sciage en plongée sur du bois et tout matériau tendre sans percer un trou préalablement
  - utilisez une lame épaisse
  - montez la lame les dents vers le haut
  - tenez l'outil de haut en bas, comme illustré
  - tracez la ligne de découpe sur la pièce à travailler
  - choisissez la position 1, 2 ou 3 à l'aide de la molette C
  - inclinez l'outil de sorte que la lame ne soit pas au contact de la pièce
  - mettez en marche l'outil et engagez prudemment la lame en mouvement dans la pièce
  - lorsque la lame a pénétré dans la pièce, continuez de scier le long du tracé de coupe
- ! **n'effectuez en aucun cas des sciages en plongée dans du métal**
- Utilisez les lames de scie appropriées <sup>(17)</sup>
- Quand vous coupez des métaux, lubrifiez régulièrement la lame de scie de lubrifiant
- Couper sans éclats
  - couvrez la ligne de coupe des plusieurs couches d'un large ruban adhésif avant d'effectuer la coupe
  - toujours inversez la partie visible de la pièce à travailler
- Pour des suggestions complémentaires voyez [www.skil.com](http://www.skil.com)

## ENTRETIEN / SERVICE APRES-VENTE

- Cet outil n'est pas conçu pour un usage professionnel
- Gardez toujours votre outil et le câble propres (spécialement les aérations J <sup>(2)</sup>)
- ! **débranchez la fiche avant le nettoyage**
- Si, malgré tous les soins apportés à la fabrication et au contrôle de l'outil, celui-ci devait avoir un défaut, la réparation ne doit être confiée qu'à une station de service après-vente agréée pour outillage SKIL
  - retournez l'outil **non démonté** avec votre preuve d'achat au revendeur ou au centre de service après-vente SKIL le plus proche (les adresses ainsi que la vue éclatée de l'outil figurent sur [www.skil.com](http://www.skil.com))

## ENVIRONNEMENT

- **Ne jetez pas les outils électriques, les accessoires et l'emballage dans les ordures ménagères** (pour les pays européens uniquement)
  - conformément à la directive européenne 2012/19/EG relative aux déchets d'équipements électriques ou électroniques, et à sa transposition dans la législation nationale, les outils électriques usés doivent être collectés séparément et faire l'objet d'un recyclage respectueux de l'environnement
  - le symbole <sup>(5)</sup> vous le rappellera au moment de la mise au rebut de l'outil

## DÉCLARATION DE CONFORMITÉ CE

Scie sabre 4900

Caractéristiques techniques <sup>(1)</sup>

- Nous déclarons sous notre propre responsabilité que le produit décrit sous "Caractéristiques techniques" est en conformité avec les normes ou documents normatifs suivants: EN 60745, EN 61000, EN 55014, conformément aux termes des réglementations en vigueur 2004/108/CE (jusqu'au 19.04.2016), 2014/30/UE (à partir du 20.04.2016), 2006/42/CE, 2011/65/UE
- **Dossier technique auprès de:** SKIL Europe BV (PT-SEU/ENG1), 4825 BD Breda, NL

Marijn van der Hoofden  
Operations & Engineering

Olaf Dijkgraaf  
Approval Manager

SKIL Europe BV, 4825 BD Breda, NL

12.03.2015

## BRUIT/VIBRATION

- Mesuré selon EN 60745 le niveau de la pression sonore de cet outil est 90 dB(A) et le niveau de la puissance sonore 101 dB(A) (déviations standard: 3 dB), et la vibration \* (somme vectorielle des trois axes directionnels; incertitude K = 1,5 m/s<sup>2</sup>)
  - \* pendant le coupage des panneaux de particules 12,1 m/s<sup>2</sup>
  - \* pendant le coupage des poutres en bois 12,2 m/s<sup>2</sup>
- Le niveau de vibrations émises a été mesuré conformément à l'essai normalisé de la norme EN 60745; il peut être utilisé pour comparer plusieurs outils et pour réaliser une évaluation préliminaire de l'exposition aux vibrations lors de l'utilisation de l'outil pour les applications mentionnées
  - l'utilisation de l'outil dans d'autres applications, ou avec des accessoires différents ou mal entretenus, peut considérablement **augmenter** le niveau d'exposition
  - la mise hors tension de l'outil et sa non-utilisation pendant qu'il est allumé peuvent considérablement **réduire** le niveau d'exposition
- ! **protégez-vous contre les effets des vibrations par un entretien correct de l'outil et de ses accessoires, en gardant vos mains chaudes et en structurant vos schémas de travail**

D

Säbelsäge

4900

## EINLEITUNG

- Dieses Werkzeug ist für das Sägen von Holz, Plastik, Metall und Baumaterialien vorgesehen, sowie für das Schneiden von Bäumen und Gehölzen; es ist für gerade und gebogene Schnitte geeignet
- Dieses Werkzeug eignet sich nicht für den professionellen Einsatz
- Bitte diese Bedienungsanleitung sorgfältig lesen und aufbewahren <sup>(3)</sup>

## TECHNISCHE DATEN <sup>(1)</sup>

## WERKZEUGKOMPONENTEN ②

- A Ein/Aus-Schalter
- B Anzeige "Ein/Aus"
- C Drehzahlregler
- D Sägeblattklemme
- E Einstellbare Fußplatte
- F Sägeblattaufbewahrungsfach
- G Handgriff
- H Trommelgriff
- J Lüftungsschlitze
- K Befestigungsbolzen
- L Schraube für Klingenhalter

## SICHERHEIT

### ALLGEMEINE SICHERHEITSHINWEISE

**⚠ ACHTUNG! Lesen Sie alle Sicherheitshinweise und Anweisungen.** Versäumnisse bei der Einhaltung der Sicherheitshinweise und Anweisungen können elektrischen Schlag, Brand und/oder schwere Verletzungen verursachen. **Bewahren Sie alle Sicherheitshinweise und Anweisungen für die Zukunft auf.** Der in den Sicherheitshinweisen verwendete Begriff "Elektrowerkzeug" bezieht sich auf netzbetriebene Elektrowerkzeuge (mit Netzkabel) und auf akkubetriebene Elektrowerkzeuge (ohne Netzkabel).

### 1) ARBEITSPLATZSICHERHEIT

- a) **Halten Sie Ihren Arbeitsbereich sauber und gut beleuchtet.** Unordnung oder unbeleuchtete Arbeitsbereiche können zu Unfällen führen.
- b) **Arbeiten Sie mit dem Gerät nicht in explosionsgefährdeter Umgebung, in der sich brennbare Flüssigkeiten, Gase oder Stäube befinden.** Elektrowerkzeuge erzeugen Funken, die den Staub oder die Dämpfe entzünden können.
- c) **Halten Sie Kinder und andere Personen während der Benutzung des Elektrowerkzeugs fern.** Bei Ablenkung können Sie die Kontrolle über das Gerät verlieren.

### 2) ELEKTRISCHE SICHERHEIT

- a) **Der Anschlussstecker des Gerätes muss in die Steckdose passen. Der Stecker darf in keiner Weise verändert werden. Verwenden Sie keine Adapterstecker gemeinsam mit schutzgeerdeten Geräten.** Unveränderte Stecker und passende Steckdosen verringern das Risiko eines elektrischen Schlages.
- b) **Vermeiden Sie Körperkontakt mit geerdeten Oberflächen, wie von Rohren, Heizungen, Herden und Kühlschränken.** Es besteht ein erhöhtes Risiko durch elektrischen Schlag, wenn Ihr Körper geerdet ist.
- c) **Halten Sie das Gerät von Regen oder Nässe fern.** Das Eindringen von Wasser in ein Elektrogerät erhöht das Risiko eines elektrischen Schlages.
- d) **Zweckentfremden Sie das Kabel nicht, um das Gerät zu tragen, aufzuhängen oder um den Stecker aus der Steckdose zu ziehen. Halten Sie das Kabel fern von Hitze, Öl, scharfen Kanten oder sich bewegenden Geräteteilen.** Beschädigte oder verwickelte Kabel erhöhen das Risiko eines elektrischen Schlages.

- e) **Wenn Sie mit einem Elektrowerkzeug im Freien arbeiten, verwenden Sie nur Verlängerungskabel, die auch für den Außenbereich zugelassen sind.** Die Anwendung eines für den Außenbereich geeigneten Verlängerungskabels verringert das Risiko eines elektrischen Schlages.
- f) **Wenn der Betrieb des Elektrowerkzeuges in feuchter Umgebung nicht vermeidbar ist, verwenden Sie einen Fehlerstromschutzschalter.** Der Einsatz eines Fehlerstromschutzschalters vermindert das Risiko eines elektrischen Schlages.

### 3) SICHERHEIT VON PERSONEN

- a) **Seien Sie aufmerksam, achten Sie darauf, was Sie tun, und gehen Sie mit Vernunft an die Arbeit mit einem Elektrowerkzeug. Benutzen Sie das Gerät nicht, wenn Sie müde sind oder unter dem Einfluss von Drogen, Alkohol oder Medikamenten stehen.** Ein Moment der Unachtsamkeit beim Gebrauch des Gerätes kann zu ernsthaften Verletzungen führen.
  - b) **Tragen Sie persönliche Schutzausrüstung und immer eine Schutzbrille.** Das Tragen persönlicher Schutzausrüstung, wie Staubmaske, rutschfeste Sicherheitsschuhe, Schutzhelm oder Gehörschutz, je nach Art und Einsatz des Elektrowerkzeuges, verringert das Risiko von Verletzungen.
  - c) **Vermeiden Sie eine unbeabsichtigte Inbetriebnahme. Vergewissern Sie sich, dass das Elektrowerkzeug ausgeschaltet ist, bevor Sie es an die Stromversorgung und/oder den Akku anschließen, es aufnehmen oder tragen.** Wenn Sie beim Tragen des Elektrowerkzeuges den Finger am Schalter haben oder das Gerät eingeschaltet an die Stromversorgung anschließen, kann dies zu Unfällen führen.
  - d) **Entfernen Sie Einstellwerkzeuge oder Schraubenschlüssel, bevor Sie das Gerät einschalten.** Ein Werkzeug oder Schlüssel, der sich in einem drehenden Geräteteil befindet, kann zu Verletzungen führen.
  - e) **Überschätzen Sie sich nicht. Sorgen Sie für einen sicheren Stand und halten Sie jederzeit das Gleichgewicht.** Dadurch können Sie das Gerät in unerwarteten Situationen besser kontrollieren.
  - f) **Tragen Sie geeignete Kleidung. Tragen Sie keine weite Kleidung oder Schmuck. Halten Sie Haare, Kleidung und Handschuhe fern von sich bewegenden Teilen.** Lockere Kleidung, Schmuck oder lange Haare können von sich bewegenden Teilen erfasst werden.
  - g) **Wenn Staubabsaug- und -auffangeinrichtungen montiert werden können, vergewissern Sie sich, dass diese angeschlossen sind und richtig verwendet werden.** Verwendung einer Staubabsaugung verringert Gefährdungen durch Staub.
- ### 4) SORGFÄLTIGER UMGANG UND GEBRAUCH VON ELEKTROWERKZEUGEN
- a) **Überlasten Sie das Gerät nicht. Verwenden Sie für Ihre Arbeit das dafür bestimmte Elektrowerkzeug.** Mit dem passenden Elektrowerkzeug arbeiten Sie besser und sicherer im angegebenen Leistungsbereich.
  - b) **Benutzen Sie kein Elektrowerkzeug, dessen Schalter defekt ist.** Ein Elektrowerkzeug, das sich nicht

mehr ein- oder ausschalten lässt, ist gefährlich und muss repariert werden.

- c) **Ziehen Sie den Stecker aus der Steckdose und/oder entfernen Sie den Akku, bevor Sie Geräteeinstellungen vornehmen, Zubehörteile wechseln oder das Gerät weglegen.** Diese Vorsichtsmaßnahme verhindert den unbeabsichtigten Start des Geräts.
- d) **Bewahren Sie unbenutzte Elektrowerkzeuge außerhalb der Reichweite von Kindern auf. Lassen Sie Personen das Gerät nicht benutzen, die mit diesem nicht vertraut sind oder diese Anweisungen nicht gelesen haben.** Elektrowerkzeuge sind gefährlich, wenn Sie von unerfahrenen Personen benutzt werden.
- e) **Pflegen Sie das Gerät mit Sorgfalt. Kontrollieren Sie, ob bewegliche Geräteteile einwandfrei funktionieren und nicht klemmen, ob Teile gebrochen oder so beschädigt sind, dass die Funktion des Gerätes beeinträchtigt ist. Lassen Sie beschädigte Teile vor dem Einsatz des Geräts reparieren.** Viele Unfälle haben ihre Ursache in schlecht gewarteten Elektrowerkzeugen.
- f) **Halten Sie Schneidwerkzeuge scharf und sauber.** Sorgfältig gepflegte Schneidwerkzeuge mit scharfen Schneidkanten verklemmen sich weniger und sind leichter zu führen.
- g) **Verwenden Sie Elektrowerkzeug, Zubehör, Einsatzwerkzeuge usw. entsprechend diesen Anweisungen. Berücksichtigen Sie dabei die Arbeitsbedingungen und die auszuführende Tätigkeit.** Der Gebrauch von Elektrowerkzeugen für andere als die vorgesehenen Anwendungen kann zu gefährlichen Situationen führen.

## 5) SERVICE

- a) **Lassen Sie Ihr Gerät nur von qualifiziertem Fachpersonal und nur mit Original-Ersatzteilen reparieren.** Damit wird sichergestellt, dass die Sicherheit des Geräts erhalten bleibt.

## SICHERHEITSHINWEISE FÜR SÄBELSÄGEN

### ZUBEHÖR

- SKIL kann nur dann die einwandfreie Funktion des Werkzeuges zusichern, wenn Original-Zubehör verwendet wird
- Nur Zubehör verwenden, dessen zulässige Drehzahl mindestens so hoch ist wie die höchste Leerlaufdrehzahl des Werkzeuges

### VOR DER ANWENDUNG

- Stets nachprüfen, daß die Netzspannung mit der auf dem Typenschild des Werkzeuges angegebenen Spannung übereinstimmt
- Beschädigungen durch Schrauben, Nägel und ähnliches an Ihrem Werkstück vermeiden; diese vor Arbeitsbeginn entfernen

### ELEKTRISCHE SICHERHEIT

- Bei Benutzung von Verlängerungskabeln ist darauf zu achten, daß das Kabel vollständig abgerollt ist und eine Kapazität von 16 A hat
- **Dort, wo das Schneidwerkzeug beim Arbeiten versteckte Kabel oder sein eigenes Anschlusskabel berühren könnte, das Werkzeug an den isolierten Griffflächen halten** (Kontakt mit einem

spannungführenden Leiter macht auch ungeschützte Metallteile des Werkzeuges spannungsführend und versetzt dem Bediener einen Stromschlag)

- **Verwenden Sie geeignete Suchgeräte, um verborgene Versorgungsleitungen aufzuspüren, oder ziehen Sie die örtliche Versorgungsgesellschaft hinzu** (Kontakt mit Elektroleitungen kann zu Feuer und elektrischem Schlag führen; Beschädigung einer Gasleitung kann zur Explosion führen; Eindringen in eine Wasserleitung verursacht Sachbeschädigung oder kann einen elektrischen Schlag verursachen)

### SICHERHEIT VON PERSONEN

- Bei elektrischer oder mechanischer Fehlfunktion das Werkzeug sofort ausschalten und den Netzstecker ziehen
- Der Benutzer dieses Werkzeuges sollte älter als 16 Jahre sein
- **Bearbeiten Sie kein asbesthaltiges Material** (Asbest gilt als krebserregend)
- Staub von Materialien wie Farbe, die Blei enthält, einigen Holzarten, Mineralien und Metall kann schädlich sein (Kontakt mit oder Einatmen des Staubs kann zu allergischen Reaktionen und/oder Atemwegskrankheiten beim Bediener oder Umstehenden führen); **tragen Sie eine Staubmaske und arbeiten Sie mit einem Staubabsaugungssystem, wenn ein solches angeschlossen werden kann**
- Bestimmte Arten von Staub sind als karzinogen klassifiziert (beispielsweise Eichen- und Buchenholzstaub), insbesondere in Verbindung mit Zusätzen für die Holzvorbehandlung; **tragen Sie eine Staubmaske und arbeiten Sie mit einem Staubabsaugungssystem, wenn ein solches angeschlossen werden kann**
- Beachten Sie die für Ihr verwendetes Verbrauchsmaterial gültigen nationalen Staubschutzvorgaben
- **Die Hände von Schnittbereich und Sägeblatt fernhalten; die zweite Hand am Trommelgriff H ② lassen** (wenn beide Hände die Säge halten, können sie nicht vom Sägeblatt geschnitten werden)
- **Nicht unter das Werkstück reichen** (Sie können nicht sehen, wie nahe das Sägeblatt der Hand kommt)
- **Das zu schneidende Werkstück niemals in den Händen oder über die Beine halten** (es ist wichtig, das Werkstück richtig abzustützen, um Exposition des Körpers, Verklemmen des Sägeblatts oder Verlust der Kontrolle zu minimieren)
- **Klemmen oder andere Vorrichtungen verwenden, um das Werkstück zu sichern und aufzunehmen** (wenn das Werkstück in der Hand oder gegen den Körper gehalten wird, kann man die Kontrolle verlieren)
- **Kein stumpfes oder beschädigtes Sägeblatt benutzen** (gebogene Blätter können leicht brechen und Rückprall verursachen)
- **Die Hände vom Bereich zwischen Werkzeuggehäuse und Sägeblattklemme D ② fernhalten** (die Sägeblattklemme kann die Finger einklemmen)
- **Sicherstellen, dass die Sägeblattklemme D ② festsetzt, bevor ein Schnitt vorgenommen wird** (eine lose Klemme kann dazu führen, dass das Werkzeug oder das Sägeblatt durchrutscht, so dass man die Kontrolle verliert)

- **Beim Herausnehmen des Sägeblatts aus dem Werkzeug Schutzhandschuhe tragen** (das Sägeblatt kann nach längerem Einsatz heiß sein)
- Schutzbrille und Gehörschutz tragen

#### ERKLÄRUNG DER SYMBOLE AUF DEM WERKZEUG

- ③ Die Bedienungsanleitung vor dem Gebrauch lesen
- ④ Doppelte Isolierung (kein Erdleiter erforderlich)
- ⑤ Das Werkzeug nicht in den Hausmüll werfen

## BEDIENUNG

- Ein-/Aus-Schalten ⑥
- Drehzahlregelung  
Mit dem Rad C ② wird die Sägegeschwindigkeit von niedrig bis hoch eingestellt (6 Positionen)
- Hubzahl je nach Material anpassen ⑦  
**! wenn das Werkzeug nicht mit Rad C ② in Position 1 läuft, eine höhere Hubzahl wählen und die Hubzahl bei laufendem Werkzeug verringern**
- Montieren des Sägeblatts ⑧  
**! Netzstecker ziehen**  
- die Sägeblattklemme D nach vorne drücken und dort festhalten  
- das Sägeblatt vollständig einführen (mit den Zähnen nach unten oder oben)  
- die Sägeblattklemme D loslassen  
- das Sägeblatt etwas herausziehen, bis die Klemme D in eine viereckige Position einrastet  
- das Sägeblatt hineindrücken und herausziehen, um zu prüfen, ob es korrekt arretiert ist  
**! sicherstellen, dass die Sägeblattklemme D ② festsetzt, bevor ein Schnitt vorgenommen wird (eine lose Klemme kann dazu führen, dass das Werkzeug oder das Sägeblatt durchrutscht, so dass man die Kontrolle verliert)**  
**! sicherstellen, dass das vordere Ende des Sägeblatts bei voller Hublänge durch die Fußplatte E geführt wird**
- Entfernen des Sägeblatts ⑨  
- die Sägeblattklemme D nach vorne drücken und dort festhalten  
- das Sägeblatt herausziehen  
- die Sägeblattklemme D loslassen
- Einstellbare Fußplatte ⑩  
- Fußplatte E kippt, um einen möglichst großflächigen Kontakt zum Werkstück zu halten  
- zum Einstellen der Fußplatte die Säge fest halten und die Fußplatte in die gewünschte Position drehen
- Sägeblattaufbewahrungsfach ⑪  
- sicherstellen, dass das Aufbewahrungsfach F geschlossen ist, damit keine Sägeblätter herausfallen können
- Bedienung des Werkzeuges  
**! das Werkstück sicher festklemmen**  
- die Schnittlinie auf dem Werkstück anzeichnen  
- die gewünschte Geschwindigkeit mit Einstellrad C ② auswählen  
- den Stecker in die Steckdose stecken (Anzeige B leuchtet auf und zeigt an, dass das Werkzeug Strom erhält) ⑫  
- das Werkzeug mit einer Hand am Handgriff G ② und mit der anderen Hand am isolierten Trommelgriff H ② halten

- das Werkzeug einschalten  
**! das Werkzeug sollte mit voller Geschwindigkeit laufen, bevor das Sägeblatt in das Werkstück eindringt**
- das Werkzeug an der angezeichneten Schnittlinie entlangführen
- die Fußplatte E ② fest gegen das Werkstück halten, damit Gegenkräfte und Schwingungen minimiert werden
- Halten und Führen des Werkzeuges  
**! Werkzeug beim Arbeiten immer am grauen Griffbereich fassen ⑬**  
- Lüftungsschlitze J ② unbedeckt halten  
- nicht zu viel Druck auf das Werkzeug ausüben; lassen Sie das Werkzeug für Sie arbeiten  
**! sicherstellen, dass das Sägeblatt über den gesamten Hub über das Werkstück hinaus geführt wird ⑭**
- Einstellen der effektiven Sägetiefe ⑮  
- beide Befestigungsbolzen K verwenden um Fußplatte E nach vorne/hinten zu schieben, um die effektive Sägetiefe zu vergrößern/verkleinern  
**! versuchen Sie nicht, die effektive Hublänge mit Schraube L einzustellen; dies ist ab Werk voreingestellt**

## ANWENDUNGSHINWEISE

- Einstechsägen ⑯  
Einstichschnitte können in Holz und anderen weiteren Materialien angebracht werden, ohne dass ein Loch vorgebohrt werden muss  
- ein dickes Sägeblatt verwenden  
- das Sägeblatt mit den Zähnen nach oben montieren  
- die Säge wie dargestellt umgekehrt halten  
- die gewünschte Schnittlinie auf dem Werkstück anzeichnen  
- Position 1, 2 oder 3 mit Einstellrad C wählen  
- das Werkzeug so neigen, dass das Sägeblatt das Werkstück nicht berührt  
- das Werkzeug einschalten und vorsichtig das sich bewegende Sägeblatt in das Werkstück einführen  
- nachdem das Sägeblatt in das Werkstück eingedrungen ist, weiter entlang der markierten Schnittlinie sägen  
**! keine Einstichschnitte in Metall vornehmen**
- Die entsprechenden Sägeblätter verwenden ⑰
- Beim Sägen von Metall Sägeblatt regelmässig mit Öl einfetten
- Splitterfreies Sägen  
- die Schnittlinie mit mehreren Schichten breiten Kleband bedecken vor Arbeitsbeginn  
- die Oberfläche des Werkstücks grundsätzlich nach unten zeigend aufliegen
- Für mehr Tips siehe [www.skil.com](http://www.skil.com)

## WARTUNG / SERVICE

- Dieses Werkzeug eignet sich nicht für den professionellen Einsatz
- Halten Sie Werkzeug und Kabel immer sauber (insbesondere die Lüftungsschlitze J ②)  
**! Netzstecker vor dem Säubern ziehen**

- Sollte das Elektrowerkzeug trotz sorgfältiger Herstellungs- und Prüfverfahren einmal ausfallen, ist die Reparatur von einer autorisierten Kundendienststelle für SKIL-Elektrowerkzeuge ausführen zu lassen
- das Werkzeug **unzerlegt**, zusammen mit dem Kaufbeleg, an den Lieferer oder die nächste SKIL-Vertragswerkstätte senden (die Anschriften so wie die Ersatzteilzeichnung des Werkzeuges finden Sie unter [www.skil.com](http://www.skil.com))

## UMWELT

- **Elektrowerkzeuge, Zubehör und Verpackungen nicht in den Hausmüll werfen** (nur für EU-Länder)
  - gemäss Europäischer Richtlinie 2012/19/EG über Elektro- und Elektronik- Altgeräte und Umsetzung in nationales Recht müssen nicht mehr gebrauchsfähige Elektrowerkzeuge getrennt gesammelt und einer umweltgerechten Wiederverwertung zugeführt werden
  - hieran soll Sie Symbol ⑤ erinnern

## KONFORMITÄTSERKLÄRUNG CE

### Säbelsäge 4900

#### Technische Daten ①

- Wir erklären in alleiniger Verantwortung, daß das unter "Technische Daten" beschriebene Produkt mit den folgenden Normen oder normativen Dokumenten übereinstimmt: EN 60745, EN 61000, EN 55014, gemäß den Bestimmungen der Richtlinien 2004/108/EG (bis 19.04.2016), 2014/30/EU (ab 20.04.2016), 2006/42/EG, 2011/65/EU
- **Technische Unterlagen bei:** SKIL Europe BV (PT-SEU/ENG1), 4825 BD Breda, NL

Marijn van der Hoofden  
Operations & Engineering

Olaf Dijkgraaf  
Approval Manager




SKIL Europe BV, 4825 BD Breda, NL

12.03.2015

## GERÄUSCH/VIBRATION

- Gemessen gemäß EN 60745 beträgt der Schalldruckpegel dieses Gerätes 90 dB(A) und der Schalleistungspegel 101 dB(A) (Standardabweichung: 3 dB), und die Vibration \* (Vektorsumme dreier Richtungen; Unsicherheit K = 1,5 m/s<sup>2</sup>)
  - \* beim Sägen von Spanplatten 12,1 m/s<sup>2</sup>
  - \* beim Sägen von Holzbalken 12,2 m/s<sup>2</sup>
- Die Vibrationsemissionsstufe wurde mit einem standardisierten Test gemäß EN 60745 gemessen; Sie kann verwendet werden, um ein Werkzeug mit einem anderen zu vergleichen und als vorläufige Beurteilung der Vibrationsexposition bei Verwendung des Werkzeugs für die angegebenen Anwendungszwecke
  - die Verwendung des Werkzeugs für andere Anwendungen oder mit anderem oder schlecht gewartetem Zubehör kann die Expositionsstufe erheblich **erhöhen**

- Zeiten, zu denen das Werkzeug ausgeschaltet ist, oder wenn es läuft aber eigentlich nicht eingesetzt wird, können die Expositionsstufe erheblich **verringern**
- ! **Schützen Sie sich vor den Auswirkungen der Vibration durch Wartung des Werkzeugs und des Zubehörs, halten Sie Ihre Hände warm und organisieren Sie Ihren Arbeitsablauf**

NL

## Reciprozaag

4900

## INTRODUCTIE

- Deze machine is bestemd voor het zagen van hout, plastic, metaal en bouwmaterialen, het snoeien en beknotten van bomen en is tevens geschikt om recht en in bochten te zagen
- Deze machine is niet bedoeld voor professioneel gebruik
- Lees en bewaar deze gebruiksaanwijzing ③

## TECHNISCHE GEGEVENS ①

### MACHINE-ELEMENTEN ②

- A Aan/uit schakelaar
- B Indicator "Stroom aan"
- C Toerental-instelwielteje
- D Zaagbladklem
- E Instelbare voetplaat
- F Opbergvak voor zaagblad
- G Handgreep
- H Voorhandgreep
- J Ventilatie-openingen
- K Bevestigingsbouten
- L Schroef zaagbladhouder

## VEILIGHEID

### ALGEMENE VEILIGHEIDSVORSCHRIFTEN

**⚠ LET OP! Lees alle veiligheids waarschuwingen en alle voorschriften.** Als de waarschuwingen en voorschriften niet worden opgevolgd, kan dit een elektrische schok, brand of ernstig letsel tot gevolg hebben. **Bewaar alle waarschuwingen en voorschriften voor toekomstig gebruik.** Het in de waarschuwingen gebruikte begrip "elektrisch gereedschap" heeft betrekking op elektrische gereedschappen voor gebruik op het stroomnet (met netsnoer) en op elektrische gereedschappen voor gebruik met een accu (zonder netsnoer).

#### 1) VEILIGHEID VAN DE WERKOMGEVING

- a) **Houd uw werkomgeving schoon en opgeruimd.** Een rommelige of onverlichte werkomgeving kan tot ongevallen leiden.
- b) **Werk met het gereedschap niet in een omgeving met explosiegevaar waarin zich brandbare vloeistoffen, gassen of stof bevinden.** Elektrische gereedschappen veroorzaken vonken die het stof of de dampen tot ontsteking kunnen brengen.



- c) **Houd kinderen en andere personen tijdens het gebruik van het elektrische gereedschap uit de buurt.** Wanneer u wordt afgeleid, kunt u de controle over het gereedschap verliezen.
- 2) ELEKTRISCHE VEILIGHEID**
- a) **De aansluitstekker van het gereedschap moet in het stopcontact passen. De stekker mag in geen geval worden veranderd. Gebruik geen adapterstekkers in combinatie met geaarde gereedschappen.** Onveranderde stekkers en passende stopcontacten beperken het risico van een elektrische schok.
- b) **Voorkom aanraking van het lichaam met geaarde oppervlakken, bijvoorbeeld van buizen, verwarmingen, fornuizen en koelkasten.** Er bestaat een verhoogd risico door een elektrische schok wanneer uw lichaam geaard is.
- c) **Houd het gereedschap uit de buurt van regen en vocht.** Het binnendringen van water in het elektrische gereedschap vergroot het risico van een elektrische schok.
- d) **Gebruik de kabel niet voor een verkeerd doel, om het gereedschap te dragen of op te hangen of om de stekker uit het stopcontact te trekken. Houd de kabel uit de buurt van hitte, olie, scherpe randen en bewegende gereedschapsdelen.** Beschadigde of in de war geraakte kabels vergroten het risico van een elektrische schok.
- e) **Wanneer u buitenshuis met elektrisch gereedschap werkt, dient u alleen verlengkabels te gebruiken die voor gebruik buitenshuis zijn goedgekeurd.** Het gebruik van een voor gebruik buitenshuis geschikte verlengkabel beperkt het risico van een elektrische schok.
- f) **Als het gebruik van het elektrische gereedschap in een vochtige omgeving onvermijdelijk is, dient u een aardlekschakelaar te gebruiken.** Het gebruik van een aardlekschakelaar vermindert het risico van een elektrische schok.
- 3) VEILIGHEID VAN PERSONEN**
- a) **Wees alert, let goed op wat u doet en ga met verstand te werk bij het gebruik van het elektrische gereedschap. Gebruik het gereedschap niet wanneer u moe bent of onder invloed staat van drugs, alcohol of medicijnen.** Een moment van onoplettendheid bij het gebruik van het gereedschap kan tot ernstige verwondingen leiden.
- b) **Draag persoonlijke beschermende uitrusting en altijd een veiligheidsbril.** Het dragen van persoonlijke beschermende uitrusting zoals een stofmasker, slipvastes werkschoenen, een veiligheidshelm of gehoorbescherming, afhankelijk van de aard en het gebruik van het elektrische gereedschap, vermindert het risico van verwondingen.
- c) **Voorkom per ongeluk inschakelen. Controleer dat het elektrische gereedschap uitgeschakeld is voordat u de stekker in het stopcontact steekt of de accu aansluit en voordat u het gereedschap oppakt of draagt.** Wanneer u bij het dragen van het elektrische gereedschap uw vinger aan de schakelaar hebt of wanneer u het gereedschap ingeschakeld op de stroomvoorziening aansluit, kan dit tot ongevallen leiden.
- d) **Verwijder instelgereedschappen of schroefslutels voordat u het gereedschap inschakelt.** Een instelgereedschap of sleutel in een draaiend deel van het gereedschap kan tot verwondingen leiden.
- e) **Probeer niet ver te reiken. Zorg ervoor dat u stevig staat en steeds in evenwicht blijft.** Daardoor kunt u het gereedschap in onverwachte situaties beter onder controle houden.
- f) **Draag geschikte kleding. Draag geen loshangende kleding of sieraden. Houd haren, kleding en handschoenen uit de buurt van bewegende delen.** Loshangende kleding, sieraden en lange haren kunnen door bewegende delen worden meegenomen.
- g) **Wanneer stofafzuigings- of stofopvangvoorzieningen kunnen worden gemonteerd, dient u zich ervan te verzekeren dat deze zijn aangesloten en juist worden gebruikt.** Het gebruik van een stofafzuiging beperkt het gevaar door stof.
- 4) GEBRUIK EN ONDERHOUD VAN ELEKTRISCHE GEREEDSCHAPPEN**
- a) **Overbelast het gereedschap niet. Gebruik voor uw werkzaamheden het daarvoor bestemde elektrische gereedschap.** Met het passende elektrische gereedschap werkt u beter en veiliger binnen het aangegeven capaciteitsbereik.
- b) **Gebruik geen elektrisch gereedschap waarvan de schakelaar defect is.** Elektrisch gereedschap dat niet meer kan worden in- of uitgeschakeld, is gevaarlijk en moet worden gerepareerd.
- c) **Trek de stekker uit het stopcontact of neem de accu uit het elektrische gereedschap voordat u het gereedschap instelt, toebehoren wisselt of het gereedschap weglegt.** Deze voorzorgsmaatregel voorkomt onbedoeld starten van het gereedschap.
- d) **Bewaar niet-gebruikte elektrische gereedschappen buiten bereik van kinderen. Laat het gereedschap niet gebruiken door personen die er niet mee vertrouwd zijn en deze aanwijzingen niet hebben gelezen.** Elektrische gereedschappen zijn gevaarlijk wanneer deze door onervaren personen worden gebruikt.
- e) **Verzorg het gereedschap zorgvuldig. Controleer of bewegende delen van het gereedschap correct functioneren en niet vastklemmen en of onderdelen zodanig gebroken of beschadigd zijn dat de werking van het gereedschap nadelig wordt beïnvloed. Laat beschadigde delen repareren voordat u het gereedschap gebruikt.** Veel ongevallen hebben hun oorzaak in slecht onderhouden elektrische gereedschappen.
- f) **Houd snijdende inzetgereedschappen scherp en schoon.** Zorgvuldig onderhouden snijdende inzetgereedschappen met scherpe snijkanten klemmen minder snel vast en zijn gemakkelijker te geleiden.
- g) **Gebruik elektrische gereedschappen, toebehoren, inzetgereedschappen en dergelijke volgens deze aanwijzingen. Let daarbij op de arbeidsomstandigheden en de uit te voeren werkzaamheden.** Het gebruik van elektrische gereedschappen voor andere dan de voorziene toepassingen kan tot gevaarlijke situaties leiden.

## 5) SERVICE

- a) **Laat het gereedschap alleen repareren door gekwalificeerd en vakkundig personeel en alleen met originele vervangingsonderdelen.** Daarmee wordt gewaarborgd dat de veiligheid van het gereedschap in stand blijft.

## VEILIGHEIDSVOORSCHRIFTEN VOOR RECIPROZAGEN

### ACCESSOIRES

- SKIL kan alleen een correcte werking van de machine garanderen, indien originele accessoires worden gebruikt
- Gebruik alleen accessoires met een toegestaan toerental, dat minstens even hoog is als het hoogste onbelaste toerental van de machine

### VOÓR GEBRUIK

- Controleer altijd of het voltage, dat vermeld staat op het typeplaatje van de machine, overeenkomt met de netspanning
- Voorkom schade, die kan ontstaan door schroeven, spijkers en andere voorwerpen in uw werkstuk; verwijder deze, voordat u aan een karwei begint

### ELEKTRISCHE VEILIGHEID

- Gebruik volledig uitgerolde en veilige verlengsnoeren met een capaciteit van 16 Ampère
- **Houd de machine bij de geïsoleerde handgrepen vast, indien de zaag tijdens het werk verborgen bedrading of zijn eigen kabel zou kunnen raken** (contact met een draad onder spanning zal ook de blootgestelde metalen delen van de machine onder spanning zetten en de gebruiker een elektrische schok bezorgen)
- **Gebruik een geschikt detectieapparaat om verborgen stroom-, gas- of waterleidingen op te sporen of raadpleeg het plaatselijke energie- of waterleidingbedrijf** (contact met elektrische leidingen kan tot brand of een elektrische schok leiden; beschadiging van een gasleiding kan tot een explosie leiden; breuk van een waterleiding veroorzaakt materiële schade en kan tot een elektrische schok leiden)

### PERSOONLIJKE VEILIGHEID

- In geval van elektrische of mechanische storing, de machine onmiddellijk uitschakelen en de stekker uit het stopcontact trekken
- Deze machine mag niet worden gebruikt door personen onder de 16 jaar
- **Bewerk geen asbesthoudend materiaal** (asbest geldt als kankerverwekkend)
- Stof van materiaal zoals loodhoudende verf, sommige houtsoorten, mineralen en metaal kunnen schadelijk zijn (contact met of inademing van de stof kan allergische reacties en/of ademhalingsziekten bij gebruiker of omstanders veroorzaken); **draag een stofmasker en werk met een stofopvang-voorziening als die kan worden aangesloten**
- Bepaalde soorten stof zijn geclassificeerd als kankerverwekkend (zoals stof van eiken en beuken), met name in combinatie met toevoegingsmiddelen voor houtverzorging; **draag een stofmasker en werk met een stofopvang-voorziening als die kan worden aangesloten**
- Neem voor de door u te bewerken materialen de nationale voorschriften aangaande stofopvang in acht

- **Blijf met uw handen uit de buurt van het werkgebied van de zaag en het zaagblad; houd met uw tweede hand voorhandgreep H ② vast** (als beide handen de machine vasthouden, kunnen ze niet met het zaagblad in contact komen)
  - **Reik niet naar iets onder het werkstuk** (het is dan niet te zien hoe dicht het zaagblad zich bij uw hand bevindt)
  - **Houd nooit een te zagen werkstuk in uw handen of op uw been** (het is belangrijk om het werk goed te ondersteunen om lichaamsverwondingen, verklemmen van het zaagblad, of verlies van controle over de zaag tot een minimum te beperken)
  - **Gebruik klemmen of andere hulpstukken om het werkstuk vast te klemmen of te ondersteunen** (bij het in de hand of tegen het lichaam houden van het werkstuk, kan de machine niet goed onder controle gehouden worden)
  - **Gebruik geen botte of beschadigde zaagbladen** (gebogen zaagbladen kunnen makkelijk breken of terugslag veroorzaken)
  - **Kom met uw handen niet tussen de behuizing en zaagbladklem D ②** (uw vingers kunnen tussen klem en behuizing beklemd raken)
  - **Zorg ervoor, dat zaagbladklem D ② goed vast zit** voordat u begint te zagen (een loszittende klem kan de machine of het zaagblad doen slippen, waardoor de machine niet goed onder controle gehouden kan worden)
  - **Gebruik beschermende handschoenen als u het zaagblad uit de machine haalt** (het zaagblad kan heet zijn na langdurig gebruik)
  - Draag een veiligheidsbril en gehoorbescherming
- ### UITLEGGING VAN SYMBOLEN OP MACHINE
- ③ Lees de gebruiksaanwijzing vóór gebruik
  - ④ Dubbele isolatie (geen aarddraad nodig)
  - ⑤ Geef de machine niet met het huisvuil mee

## GEBRUIK

- Aan/uit ⑥
- Toerentalregeling  
Met wieltje C ② kan de zaagsnelheid van hoog tot laag worden ingesteld (6 standen)
- Instellen van zaagsnelheid afhankelijk van het te gebruiken materiaal ⑦  
**! als de machine niet start met wieltje C ② in positie 1, selecteer dan een hogere zaagsnelheid en verminder deze terwijl de machine loopt**
- Monteren van zaagblad ⑧  
**! trek de stekker uit het stopcontact**
  - duw zaagbladklem D naar voren en houd hem in deze positie
  - steek zaagblad in (met tanden omlaag of omhoog gericht) tot deze niet verder kan
  - laat zaagbladklem D los
  - trek het zaagblad er iets uit tot de klem D vastklikt in een rechthoekige stand
  - beweeg het zaagblad op en neer om te controleren of hij goed vast zit**! zorg ervoor, dat zaagbladklem D ② goed vast zit** voordat u begint te zagen (een loszittende klem kan de machine of het zaagblad doen slippen, waardoor de machine niet goed onder controle gehouden kan worden)

- ! **zorg ervoor, dat de voorkant van het zaagblad door voetplaat E heen steekt voor de gehele slaglengte**
- Verwijderen van zaagblad ⑨
  - duw zaagbladklem D naar voren en houd hem in deze positie
  - trek het zaagblad eruit
  - laat zaagbladklem D los
- Instelbare voetplaat ⑩
  - voetplaat E kantelt om zoveel mogelijk oppervlak in aanraking te laten komen met het werkstuk
  - stel de voetplaat in door de zaag stevig vast te houden en de voetplaat in de gewenste positie te draaien
- Opbergvak voor zaagbladen ⑪
  - zorg ervoor, dat opbergvak F gesloten is, zodat eventuele zaagbladen er niet uit kunnen vallen
- Werken met de machine
  - ! **klem het werkstuk stevig vast**
  - markeer de zaaglijn op het werkstuk
  - selecteer de gewenste zaagsnelheid met wielte C ②
  - steek de stekker in het stopcontact (lampje B licht op om aan te geven dat de machine stroom krijgt) ⑫
  - houd de machine met de ene hand vast bij handgreep G ② en met de ander bij de geïsoleerde voorhandgreep H ②
  - zet de machine aan
  - ! **het zaagblad moet eerst op volle snelheid zijn voordat u het in het werkstuk leidt**
  - geleid de machine langs de aangegeven zaaglijn
  - druk voetplaat E ② stevig tegen het werkstuk om terugslag en trilling tot een minimum te beperken
- Vasthouden en leiden van de machine
  - ! **houd de machine tijdens het werk altijd vast bij het(de) grijs-gekleurde greepvlak(ken) ⑬**
  - houd ventilatie-openingen J ② onbedekt
  - oefen niet te veel druk uit; laat de machine het werk voor u doen
  - ! **zorg ervoor, dat het zaagblad aan de andere kant van het werkstuk uitsteekt tijdens een zaagsnede ⑭**
- Effectieve zaagdiepte aanpassen ⑮
  - gebruik beide bevestigingsbouten K voor het vooruit/achteruit schuiven van voetplaat E om de effectieve zaagdiepte te vergroten/verkleinen
  - ! **probeer de effectieve slaglengte niet aan te passen met schroef L, die vooraf is ingesteld in de fabriek**

## TOEPASSINGSADVIES

- Invallend zagen ⑯
  - Inval-zaagsnedes kunnen in hout en andere zachte materialen gemaakt worden zonder een gat voor te boren
  - gebruik een dik zaagblad
  - monteer het zaagblad met de tanden naar boven
  - houd de zaag zoals aangegeven ondersteboven
  - markeer de gewenste zaaglijn op het werkstuk
  - kies stand 1, 2 of 3 met wielte C
  - kantel de machine zodanig, dat het zaagblad het werkstuk niet raakt
  - zet de machine aan en laat het bewegende zaagblad voorzichtig in het werkstuk grijpen

- nadat het zaagblad helemaal door het werkstuk heen is gegaan, doorgaan met zagen lang de aangegeven zaaglijn

### ! maak geen inval-zaagsnedes in metaalachtige materialen

- Gebruik de juiste zaagbladen ⑰
- Bij het zagen in metalen, het zaagblad regelmatig met olie invetten
- Splintervrij zagen
  - bedek de zaaglijn met verscheidene lagen breed plakband, voordat u begint te zagen
  - leg de goede kant van het werkstuk altijd naar beneden
- Voor meer tips zie [www.skil.com](http://www.skil.com)

## ONDERHOUD / SERVICE

- Deze machine is niet bedoeld voor professioneel gebruik
- Houd machine en snoer altijd schoon (met name de ventilatie-openingen J ②)
  - ! **trek de stekker uit het stopcontact vóór het reinigen**
- Mocht het elektrische gereedschap ondanks zorgvuldige fabricage- en testmethoden toch defect raken, dient de reparatie te worden uitgevoerd door een erkende klantenservice voor SKIL elektrische gereedschappen
  - stuur de machine **ongedemonteerd**, samen met het aankoopbewijs, naar het verkoopadres of het dichtstbijzijnde SKIL service-station (de adressen evenals de onderdelentekening van de machine vindt u op [www.skil.com](http://www.skil.com))

## MILIEU

- **Geef electrisch gereedschap, accessoires en verpakkingen niet met het huisvuil mee** (alleen voor EU-landen)
  - volgens de Europese richtlijn 2012/19/EG inzake oude elektrische en elektronische apparaten en de toepassing daarvan binnen de nationale wetgeving, dient afgedankt electrisch gereedschap gescheiden te worden ingezameld en te worden afgevoerd naar een recycle-bedrijf, dat voldoet aan de geldende milieueisen
  - symbool ⑤ zal u in het afdankstadium hieraan herinneren

## CONFORMITEITSVERKLARING CE

### Reciprozaag 4900

#### Technische gegevens ①

- Wij verklaren als alleen verantwoordelijke, dat het onder "Technische gegevens" beschreven product voldoet aan de volgende normen of normatieve documenten: EN 60745, EN 61000, EN 55014, overeenkomstig de bepalingen van de richtlijnen 2004/108/EG (tot 19.04.2016), 2014/30/EU (vanaf 20.04.2016), 2006/42/EG, 2011/65/EU

- **Technisch dossier bij:** SKIL Europe BV (PT-SEU/ENG1), 4825 BD Breda, NL

Marijn van der Hoofden  
Operations & Engineering

Olaf Dijkgraaf  
Approval Manager

SKIL Europe BV, 4825 BD Breda, NL

12.03.2015

## GELUID/VIBRATIE

- Gemeten volgens EN 60745 bedraagt het geluidsdruk-niveau van deze machine 90 dB(A) en het geluidsvermogen-niveau 101 dB(A) (standaard deviatie: 3 dB), en de vibratie \* (vectorsom van drie richtingen; onzekerheid K = 1,5 m/s<sup>2</sup>)
    - \* bij het zagen van spaanplaat 12,1 m/s<sup>2</sup>
    - \* bij het zagen van houten balken 12,2 m/s<sup>2</sup>
  - Het trillingsemissieniveau is gemeten in overeenstemming met een gestandaardiseerde test volgens EN 60745; deze mag worden gebruikt om twee machines met elkaar te vergelijken en als voorlopige beoordeling van de blootstelling aan trilling bij gebruik van de machine voor de vermelde toepassingen
    - gebruik van de machine voor andere toepassingen, of met andere of slecht onderhouden accessoires, kan het blootstellingsniveau aanzienlijk **verhogen**
    - wanneer de machine is uitgeschakeld of wanneer deze loopt maar geen werk verricht, kan dit het blootstellingsniveau aanzienlijk **reduceren**
- ! bescherm uzelf tegen de gevolgen van trilling door de machine en de accessoires te onderhouden, uw handen warm te houden en uw werkwijze te organiseren**

S

## Tigersåg

4900

## INTRODUKTION

- Det här verktyget är avsett för kapning av trä, plast, metall och konstruktionsmaterial men även för beskärning och kapning av trögrenar, och är lämplig för rak och kurvig sågning
- Det här verktyget är inte avsett för yrkesmässig användning
- Läs och spara denna instruktionsbok ③

## TEKNISKA DATA ①

## VERKTYGSELEMENT ②

- A Till/från strömbrytare
- B Indikator "Ström på"
- C Hjul för varvtalsinställning
- D Bladfästklämma
- E Stållbart stöd
- F Bladförvaring
- G Handtag

- H Grepp
- J Ventilationsöppningar
- K Fästbultar
- L Bladhållarskruv

## SÄKERHET

### ALLMÄNNA SÄKERHETSANVISNINGAR

**⚠ OBS! Läs noga igenom alla anvisningar.** Fel som uppstår till följd av att anvisningarna nedan inte följts kan orsaka elstöt, brand och/eller allvarliga kroppsskador. **Förvara alla varningar och anvisningar för framtida bruk.** Nedan använt begrepp "elverktyg" hänför sig till nätdrivna elverktyg (med nätsladd) och till batteridrivna elverktyg (sladdlösa).

### 1) ARBETSPLATSSÄKERHET

- Håll arbetsplatsen ren och välbelyst.** Oordning på arbetsplatsen eller dåligt belyst arbetsområde kan leda till olyckor.
- Använd inte elverktyget i explosionsfarlig omgivning med brännbara vätskor, gaser eller damm.** Elverktygen alstrar gnistor som kan antända dammet eller gaserna.
- Håll under arbetet med elverktyget barn och obehöriga personer på betryggande avstånd.** Om du störs av obehöriga personer kan du förlora kontrollen över elverktyget.

### 2) ELEKTRISK SÄKERHET

- Elverktygets stickpropp måste passa till vägguttaget. Stickproppen får absolut inte förändras. Använd inte adapterkontakter tillsammans med skyddsjordade elverktyg.** Oförändrade stickproppar och passande vägguttag reducerar risken för elektriskt slag.
- Undvik kroppskontakt med jordade ytor som t. ex. rör, värmeelement, spisar och kylskåp.** Det finns en större risk för elektriskt slag om din kropp är jordad.
- Skydda elverktyget mot regn och väta.** Tränger vatten in i ett elverktyg ökar risken för elektriskt slag.
- Missbruka inte nätsladden och använd den inte för att bära eller hänga upp elverktyget och inte heller för att dra stickproppen ur vägguttaget. Håll nätsladden på avstånd från värme, olja, skarpa kanter och rörliga maskindelar.** Skadade eller tilltrasslade ledningar ökar risken för elektriskt slag.
- När du arbetar med ett elverktyg utomhus använd endast förlängningsladdar som är godkända för utomhusbruk.** Om en lämplig förlängningssladd för utomhusbruk används minskar risken för elektriskt slag.
- Använd en jordfelsbrytare om det inte är möjligt att undvika elverktygets användning i fuktig miljö.** Genom att använda en jordfelsbrytare minskas risken för elstöt.

### 3) PERSONSÄKERHET

- Var uppmärksam, kontrollera vad du gör och använd elverktyget med förnuft. Använd inte elverktyget när du är trött eller om du är påverkad av droger, alkohol eller mediciner.** Under användning av elverktyg kan även en kort ouppmärksamhet leda till allvarliga kroppsskador.

- b) **Bär alltid personlig skyddsutrustning och skyddsglasögon.** Användning av personlig skyddsutrustning som t. ex. dammfiltermask, halkfria säkerhetsskor, skyddshjälm och hörselskydd reducerar alltefter elverktygets typ och användning risken för kroppsskada.
- c) **Undvik oavsiktlig igångsättning. Kontrollera att elverktyget är fränkopplat innan du ansluter stickproppen till vägguttaget och/eller ansluter/tar bort batteriet, tar upp eller bär elverktyget.** Om du bär elverktyget med fingret på strömställaren eller ansluter påkopplat elverktyg till nätströmmen kan olycka uppstå.
- d) **Ta bort alla inställningsverktyg och skruvnycklar innan du kopplar på elverktyget.** Ett verktyg eller en nyckel i en roterande komponent kan medföra kroppsskada.
- e) **Överskatta inte din förmåga. Se till att du står stadigt och håller balansen.** I detta fall kan du lättare kontrollera elverktyget i oväntade situationer.
- f) **Bär lämpliga kläder. Bär inte löst hängande kläder eller smycken. Håll håret, kläderna och handskarna på avstånd från rörliga delar.** Löst hängande kläder, smycken och långt hår kan dras in av roterande delar.
- g) **Vid elverktyg med dammutsugnings- och -uppsamlingsutrustning kontrollera att anordningarna är rätt monterade och används på korrekt sätt.** Användning av dammutsugning minskar de risker damm orsakar.

#### 4) OMSORGSFULL HANTERING OCH ANVÄNDNING AV ELVERKTYG

- a) **Överbelasta inte elverktyget. Använd för aktuellt arbete avsett elverktyg.** Med ett lämpligt elverktyg kan du arbeta bättre och säkrare inom angivet effektområde.
- b) **Ett elverktyg med defekt strömställare får inte längre användas.** Ett elverktyg som inte kan kopplas in eller ur är farligt och måste repareras.
- c) **Dra stickproppen ur vägguttaget och/eller ta bort batteriet innan inställningar utförs, tillbehörsdelar byts ut eller elverktyget lagras.** Denna skyddsåtgärd förhindrar oavsiktlig inkoppling av elverktyget.
- d) **Förvara elverktygen oåtkomliga för barn. Låt elverktyget inte användas av personer som inte är förtrogna med dess användning eller inte läst denna anvisning.** Elverktygen är farliga om de används av oerfarna personer.
- e) **Sköt elverktyget omsorgsfullt. Kontrollera att rörliga komponenter fungerar felfritt och inte kärvar, att komponenter inte brustit eller skadats; orsaker som kan leda till att elverktygets funktioner påverkas menligt. Låt skadade delar repareras innan elverktyget återanvänds.** Många olyckor orsakas av dåligt skötta elverktyg.
- f) **Håll skärverktygen skarpa och rena.** Omsorgsfullt skötta skärverktyg med skarpa eggar kommer inte så lätt i kläm och går lättare att styra.
- g) **Använd elverktyget, tillbehör, insatsverktyg osv. enligt dessa anvisningar. Ta hänsyn till arbetsvillkoren och arbetsmomenten.** Används elverktyget på icke ändamålsenligt sätt kan farliga situationer uppstå.
- 5) SERVICE
- a) **Låt elverktyget repareras endast av kvalificerad fackpersonal och med originalreservdelar.** Detta garanterar att elverktygets säkerhet upprätthålls.

## SÄKERHETSANVISNINGAR FÖR TIGERSÅG

### TILLBEHÖR

- SKIL kan endast garantera att maskinen fungerar felfritt om originaltillbehör används
- Använd endast tillbehör vilkas tillåtna varvtal åtminstone motsvarar maskinens högsta tomgångsvarvtal

### FÖRE ANVÄNDNINGEN

- Kontrollera alltid att den tillförda strömtypen stämmer med spänningen som anges på maskinens märkplåt
- Undvik skador genom att ta bort skruvar, spikar eller andra föremål ur arbetsstycket; ta dem bort innan du startar ett arbete

### ELEKTRISK SÄKERHET

- Använd helt uttrullade och säkra förlängningssladdar med kapacitet på 16 A
- **Håll maskinen i de isolerade griptorna om det finns risk för att maskinen kommer att dolda kablar eller din egen kabel** (om sågen kommer i kontakt med en strömförande ledare blir också den strömförande, och operatören får då en stöt)
- **Använd lämpliga detektorer för lokalisering av dolda försörjningsledningar eller konsultera lokalt distributionsföretag** (kontakt med elledning kan försaka brand och elstöt; en skadad gasledning kan leda till explosion; borrhning i vattenledning kan försaka saksador eller elstöt)

### PERSONSÄKERHET

- I händelse av onormala elektriska eller mekaniska störningar, stäng genast av maskinen och dra ur stickkontakten
- Den här maskinen ska inte användas av personer under 16 år
- **Asbesthaltigt material får inte bearbetas** (asbest anses vara cancerframkallande)
- Viss typ av damm, exempelvis färg som innehåller bly, vissa träsorter, mineraler och metaller kan vara hälsovådliga om de inhaleras (hudkontakt eller inhalering kan ge allergisk reaktion och/eller luftvägsproblem/sjukdom hos personer i närheten); **använd andningsskydd och arbeta med en dammuppsamlare om sådan anslutning finns**
- Vissa typer av damm är klassificerade så som carcinogena (t.ex. ek- och björkdamm) särskilt i kombination med tillsatser för träbehandling; **använd andningsskydd och arbeta med en dammuppsamlare om sådan anslutning finns**
- Följ de nationella krav, som finns angående damm, för de material du skall arbeta med
- **Håll händerna på avstånd från sågningsområdet och sågbladet; håll andra handen på greppet H ②** (om båda händerna håller i sågen kan du inte skära dig i handen)
- **Sträck dig inte under arbetsstycket** (du ser inte hur nära bladet din hand kommer)
- **Håll inte stycket som ska sågas i händerna eller över benet** (det är viktigt att arbetsstycket stöds på rätt sätt så att kroppen inte utsätts för fara, sågbladet kör fast eller du förlorar kontrollen över sågen)
- **Säkra och palla arbetsstycket med klämmor eller liknande** (håll det inte i handen eller mot kroppen; du kan förlora kontrollen)

- **Använd inte ett slött eller skadat sågblad** (ett böjt blad kan lätt brytas eller orsaka kast)
- **Akta händerna, så att du inte klämmer fingrarna i bladfästklämman D** ② (du kan skada fingrarna på bladfästklämman)
- **Kontrollera att bladfästklämman D** ② är korrekt låst innan du sågar (om klämman är lös kan verktyget eller bladet slinta, vilket kan göra att du förlorar kontrollen)
- **Använd skyddshandskar när du lossar bladet från maskinen** (bladet kan vara varmt efter längre användning)
- Använd skyddsglasögon och hörselskydd

## FÖRKLARING AV SYMBOLERNA PÅ VERKTYGET

- ③ Läs bruksanvisningen före användning
- ④ Dubbel isolering (ingen jordning krävs)
- ⑤ Maskinen får inte kastas i hushållssoporna

## ANVÄNDNING

- Till/från ⑥
- Hastighetskontroll  
Med hjulet C ② kan såghastighet justeras steglöst från lågt till högt (6 positioner)
- Inställning av såghastighet beroende på val av material ⑦  
**! om maskinen inte sågar med ratt C ② i läge 1, ska du välja en högre såghastighet och gå ner till en lägre hastighet medan maskinen går**
- Montering av sågbladet ⑧  
**! drag ur stickkontakten**  
- tryck bladfästklämman D framåt och håll den i detta läge  
- för in bladet helt (med tänderna nedåt eller uppåt)  
- släpp bladfästklämman D  
- dra ut bladet något tills klämman D klivkar på plats i vinkelrätt läge  
- tryck på och dra ut bladet, för att kontrollera att det sitter ordentligt  
**! kontrollera att bladfästklämman D ② är korrekt låst innan du sågar (om klämman är lös kan verktyget eller bladet slinta, vilket kan göra att du förlorar kontrollen)**  
**! kontrollera att bladets främre del sticker utanför stödet E under hela sitt slag**
- Borttagning av sågbladet ⑨  
- tryck bladfästklämman D framåt och håll den i detta läge  
- dra ut bladet  
- släpp bladfästklämman D
- Ställbart stöd ⑩  
- stödet E kan vinklas för att hålla så stor del av dess yta som möjligt i kontakt med arbetsstycket  
- justera stödet genom att hålla sågen stadigt och vrida stödet till önskat läge
- Bladförvaring ⑪  
- kontrollera att bladförvaringen F är stängd, så att inte bladen faller ut
- Användning av maskinen  
**! lås fast arbetsstycket på säkert sätt**  
- rita en såglinje på arbetsstycket  
- välj önskad såghastighet med hjulet C ②  
- anslut kontakten till ett vägguttag (lampan B tänds för att indikera att verktyget får ström) ⑫

- håll maskinen med ena handen på handtaget G ② och den andra på det isolerade greppet H ②
- starta maskinen  
**! låt maskinen uppnå maximihastighet innan du sätter an bladet mot arbetsstycket**  
- styr maskinen längs den uppriktade såglinjen  
- håll stödet E ② stadigt tryckt mot arbetsstycket, för att minimera motkrafter och vibration
- Fattning och styrning av maskinen  
**! under arbetet, håll alltid verktyget i det grå greppet** ⑬  
- håll ventilationsöppningarna J ② ej övertäckta  
- lägg inte för mycket tryck på maskinen; låt maskinen göra arbetet åt dig  
**! kontrollera att bladet sticker ut på arbetsstyckets bortsida under hela slaget** ⑭
- Justera effektiv sågdjup ⑮  
- använd båda fästbultarna K för att föra fotplattan E framåt eller bakåt så att den effektiva sågdjup minskar eller ökar  
**! försök inte att justera effektiv slaglängd med skruven L som är förinställd av tillverkaren**


## ANVÄNDNINGSTIPS

- Instickssägning ⑯  
Det går att instickssäga i trä och andra mjuka material utan att förborra instickshål  
- använd ett tjockare sågblad  
- monter bladet med tänderna uppåt  
- håll sågen upp och ned, enligt bild  
- rita en såglinje på arbetsstycket  
- välj position 1, 2 eller 3 med hjulet C  
- luta maskinen så att bladet inte rör vid arbetsstycket  
- starta maskinen och för försiktigt det arbetande sågbladet i kontakt med arbetsstycket  
- när sågbladet gått igenom arbetsstycket, fortsätter du att såga längs såglinjen  
**! instickssäga inte i metallmaterial**
- Använd rätt sågblad ⑰
- För sågning i metall, olja in sågbladet regelbundet
- Splinterfri sågning  
- täck snittlinjen med flera lager av breda tejp innan du börjar såga  
- lägg alltid den finaste sidan av arbetsstycket nedåt
- För fler tips se [www.skil.com](http://www.skil.com)

## UNDERHÅLL / SERVICE

- Det här verktyget är inte avsedd för yrkesmässig användning
- Håll alltid din maskin och sladden ren (speciellt ventilationsöppningarna J ②)  
**! drag ur stickkontakten innan rengöring**
- Om i elverktyget trots exakt tillverkning och sträng kontroll störning skulle uppstå, bör reparation utföras av auktoriserad serviceverkstad för SKIL elverktyg  
- sänd in verktyget i **odemonterat skick** tillsammans med inköpsbevis till försäljaren eller till närmaste SKIL serviceverkstad (adresser till servicestationer och sprängskisser av maskiner finns på [www.skil.com](http://www.skil.com))

## MILJÖ

- **Elektriska verktyg, tillbehör och förpackning får inte kastas i hushållssoptorna** (gäller endast EU-länder)
  - enligt direktivet 2012/19/EG som avser äldre elektrisk och elektronisk utrustning och dess tillämpning enligt nationell lagstiftning ska uttjänta elektriska verktyg sorteras separat och lämnas till miljövänlig återvinning
  - symbolen  kommer att påminna om detta när det är tid att kassera

## FÖRSÄKRAN OM ÖVERENSSTÄMMELSE

### Tigersåg 4900

#### Tekniska data

- Vi försäkrar härmed under exklusivt ansvar att denna produkt som beskrivs i "Tekniska data" överensstämmer med följande normer eller normativa dokument: EN 60745, EN 61000, EN 55014, enligt bestämmelserna i direktiven 2004/108/EG (till 19.04.2016), 2014/30/EU (from 20.04.2016), 2006/42/EG, 2011/65/EU
- **Teknisk tillverkningsdokumentation finns hos:** SKIL Europe BV (PT-SEU/ENG1), 4825 BD Breda, NL

Marijn van der Hoofden  
Operations & Engineering

Olaf Dijkgraaf  
Approval Manager

SKIL Europe BV, 4825 BD Breda, NL

12.03.2015

## LJUD/VIBRATION


- Ljudtrycksnivån som uppmätts enligt EN 60745 är på denna maskin 90 dB(A) och ljudeffektnivån 101 dB(A) (standard deviation: 3 dB), och vibration  $\ast$  m/s<sup>2</sup> (vektorsumma i tre riktningar; onoggrannhet K = 1,5 m/s<sup>2</sup>)
    - $\ast$  vid kapning av spånplattor 12,1 m/s<sup>2</sup>
    - $\ast$  vid kapning av träbalk 12,2 m/s<sup>2</sup>
  - Vibrationsemissionsvärdet har uppmätts enligt ett standardiserat test i enlighet med EN 60745; detta värde kan användas för att jämföra vibrationen hos olika verktyg och som en ungefärlig uppskattning av hur stor vibration användaren utsätts för när verktyget används enligt det avsedda syftet
    - om verktyget används på ett annat än det avsedda syftet eller med fel eller dåligt underhållna tillbehör kan detta drastiskt **öka** vibrationsnivån
    - när verktyget stängs av eller är på men inte används, kan detta avsevärt **minska** vibrationsnivån
- ! skydda dig mot vibration genom att underhålla verktyget och dess tillbehör, hålla händerna varma och styra upp ditt arbetssätt**

DK

## Bajonetsav

4900

## INLEDNING

- Dette værktøj er beregnet til savning af træ, plastik, metal og byggematerialer såvel som til beskæring af træ; desuden er det også egnet til lige og buedeformede snit
- Dette værktøj er ikke beregnet til professionelt brug
- Læs og gem denne betjeningsvejledning 


## TEKNISKE DATA

## VÆRKTØJETS DELE

- A Tænd/sluk afbryder
- B Indikatorlys "Tændt"
- C Hjul til hastighedsvalg
- D Klingeklemme
- E Justerbar fodplade
- F Opbevaringsrum til savklinger
- G Håndtag
- H Tøndeformet greb
- J Ventilationshuller
- K Fastgørelsesbolte
- L Skrue til savklingeholder

## SIKKERHED

### GENERALE SIKKERHEDSINSTRUKSER

 **VIGTIGT! Læs alle advarselshenvisninger og instrukser.** I tilfælde af manglende overholdelse af advarselshenvisningerne og instrukserne er der risiko for elektrisk stød, brand og/eller alvorlige kvæstelser. **Opbevar alle advarselshenvisninger og instrukser til senere brug.** Det i advarselshenvisningerne benyttede begreb "el værktøj" refererer til netdrevet el værktøj (med netkabel) og akkudrevet el værktøj (uden netkabel).

### 1) SIKKERHED PÅ ARBEJDSPLADSEN

- a) **Sørg for, at arbejdsområdet er rent og ryddeligt.**  
Uorden eller uoplyste arbejdsområder øger faren for uheld.
- b) **Brug ikke maskinen i eksplosionstruede omgivelser, hvor der er brændbare væsker, gasser eller støv.**  
El-værktøj kan slå gnister, der kan antænde støv eller dampe.
- c) **Sørg for, at andre personer og ikke mindst børn holdes væk fra arbejdsområdet, når maskinen er i brug.** Hvis man distraheres, kan man miste kontrollen over maskinen.

### 2) ELEKTRISK SIKKERHED

- a) **Maskinens stik skal passe til kontakten. Stikket må under ingen omstændigheder ændres. Brug ikke adapterstik sammen med jordforbundne maskiner.**  
Uændrede stik, der passer til kontakterne, nedsætter risikoen for elektrisk stød.
- b) **Undgå kropskontakt med jordforbundne overflader som f.eks. rør, radiatorer, komfurer og køleskabe.**  
Hvis din krop er jordforbundet, øges risikoen for elektrisk stød.

- c) **Maskinen må ikke udsættes for regn eller fugt.** Indtrængning af vand i maskinen øger risikoen for elektrisk stød.
- d) **Brug ikke ledningen til formål, den ikke er beregnet til (f.eks. må man aldrig bære maskinen i ledningen, hænge maskinen op i ledningen eller rykke i ledningen for at trække stikket ud af kontakten).** Beskyt ledningen mod varme, olie, skarpe kanter eller maskindele, der er i bevægelse. Beskadigede eller indviklede ledninger øger risikoen for elektrisk stød.
- e) **Hvis maskinen benyttes i det fri, må der kun benyttes en forlængerledning, der er godkendt til udendørs brug.** Brug af forlængerledning til udendørs brug nedsætter risikoen for elektrisk stød.
- f) **Hvis det ikke kan undgås at bruge maskinen i fugtige omgivelser, skal der bruges et HFI-relæ.** Brug af et HFI-relæ reducerer risikoen for at få elektrisk stød.

### 3) PERSONLIG SIKKERHED

- a) **Det er vigtigt at være opmærksom, se, hvad man laver, og bruge maskinen fornuftigt. Man bør ikke bruge maskinen, hvis man er træt, har nydt alkohol eller er påvirket af medicin eller euforiserende stoffer.** Få sekunders uopmærksomhed ved brug af maskinen kan føre til alvorlige personskader.
- b) **Brug beskyttelsesudstyr og hav altid beskyttelsesbriller på.** Brug af sikkerhedsudstyr som f. eks. støvmaske, skridsikket fodtøj, beskyttelseshjelm eller høreværn afhængig af maskintype og anvendelse nedsætter risikoen for personskader.
- c) **Undgå utilsigtet igangsætning. Kontrollér, at el værktøjet er slukket, før du tilslutter det til strømtilførslen og/eller akkuen, løfter eller bærer det.** Undgå at bære el værktøjet med fingeren på afbryderen og sørg for, at el værktøjet ikke er tændt, når det slutes til nettet, da dette øger risikoen for personskader.
- d) **Fjern indstillingsværktøj eller skruenøgle, inden maskinen tændes.** Hvis et stykke værktøj eller en nøgle sidder i en roterende maskindel, er der risiko for personskader.
- e) **Overvurder ikke dig selv. Sørg for at stå sikkert, mens der arbejdes, og kom ikke ud af balance.** Det er derved nemmere at kontrollere maskinen, hvis der skulle opstå uventede situationer.
- f) **Brug egnet arbejdstøj. Undgå løse beklædningsgenstande eller smykker. Hold hår, tøj og handsker væk fra dele, der bevæger sig.** Dele, der er i bevægelse, kan gribe fat i løstsiddende tøj, smykker eller langt hår.
- g) **Hvis støvudsugnings- og opsamlingsudstyr kan monteres, er det vigtigt, at dette tilsluttes og benyttes korrekt.** Brug af en støvopsugning nedsætter risikoen for personskader som følge af støv.

### 4) OMHYGGELIG OMGANG MED OG BRUG AF EL-VÆRKTØJ

- a) **Undgå overbelastning af maskinen. Brug altid en maskine, der er beregnet til det stykke arbejde, der skal udføres.** Med den rigtige maskine arbejder man bedst og mest sikkert inden for det angivne effektområde.
- b) **Brug ikke en maskine, hvis afbryder er defekt.** En maskine, der ikke kan startes og stoppes, er farlig og skal repareres.

- c) **Træk stikket ud af stikkontakten og/eller fjern akkuen, inden maskinen indstilles, der skiftes tilbehørsdele, eller maskinen lægges fra.** Disse sikkerhedsforanstaltninger forhindrer utilsigtet start af maskinen.
  - d) **Opbevar ubenyttet el-værktøj uden for børns rækkevidde. Lad aldrig personer, der ikke er fortrolige med maskinen eller ikke har gennemlæst disse instrukser, benytte maskinen.** El-værktøj er farligt, hvis det benyttes af ukyndige personer.
  - e) **Maskinen bør vedligeholdes omhyggeligt. Kontroller, om bevægelige dele fungerer korrekt og ikke sidder fast, og om delene er brækket eller beskadiget, således at maskinens funktion påvirkes. Få beskadigede dele repareret, inden maskinen tages i brug.** Mange uheld skyldes dårligt vedligeholdte maskiner.
  - f) **Sørg for, at skæreværktøjer er skarpe og rene.** Omhyggeligt vedligeholdte skæreværktøjer med skarpe skærekanten sætter sig ikke så hurtigt fast og er nemmere at føre.
  - g) **Brug el-værktøj, tilbehør, indsatsværktøj osv. iht. disse instrukser. Tag hensyn til arbejdsforholdene og det arbejde, der skal udføres. I tilfælde af anvendelse af værktøjet til formål, som ligger uden for det fastsatte anvendelsesområde, kan der opstå farlige situationer.**
- ### 5) SERVICE
- a) **Sørg for, at maskinen kun reparerer af kvalificerede fagfolk, og at der kun benyttes originale reservedele.** Dermed sikres størst mulig maskinsikkerhed.

## SIKKERHEDSINSTRUKSER FOR BAJONETSAVE

### TILBEHØR

- SKIL kan kun sikre en korrekt funktion af værktøjet, hvis der benyttes originalt tilbehør
- Der må kun benyttes tilbehør, hvis godkendte omdrejningstal er mindst så højt som værktøjets max. omdrejningstal i ubelastet tilstand

### INDEN BRUG

- Kontrollér altid at forsyningsspændingen er den samme som den spænding, der er anført på værktøjets navneskilt
- Undgå skader forårsaget af skruer, søm eller andre materialer i arbejdsstykket; fjern disse før De begynder at arbejde

### ELEKTRISK SIKKERHED

- Anvend helt udrullede og sikre forlængerledninger med en kapacitet på 16 A
- **Hold fast i værktøjet på de isolerede grebflader, når der udføres arbejde, hvor værktøjet kan komme i kontakt med skjulte ledninger eller sit eget kabel** (kontakt med en strømførende ledning vil gøre værktøjets ubeskyttede metaldele strømførende og give brugeren et elektrisk stød)
- **Anvend egnede søgeinstrumenter til at finde frem til skjulte forsyningsledninger eller kontakt det lokale forsyningselskab** (kontakt med elektriske ledninger kan føre til brand og elektrisk stød; beskadigelse af en gasledning kan føre til eksplosion; brud på et vandrør kan føre til materiel skade eller elektrisk stød)



## PERSONLIG SIKKERHED

- I tilfælde af elektrisk eller mekanisk fejlfunktion skal afbryderen straks afbrydes og stikket tages ud af kontakten
- Dette værktøj må ikke bruges af personer under 16 år
- **Bearbejd ikke asbestholdigt materiale** (asbest er kræftfremkaldende)
- Støv fra materiale som f.eks. maling, der indeholder bly, nogle træsorter, mineraler og metal kan være skadeligt (kontakt med eller indånding af støvet kan forårsage allergiske reaktioner og/eller sygdomme i luftvejene hos den, der anvender værktøjet, eller hos omkringstående); **bær en støvmaske og arbejd med en støvsugningsanordning, hvor en sådan kan sluttes til**
- Visse slags støv er klassificeret som kræftfremkaldende (som f.eks. støv fra eg og bøg) især i forbindelse med tilsætningsstoffer til træbehandling; **bær en støvmaske og arbejd med en støvsugningsanordning, hvor en sådan kan sluttes til**
- Følg de nationale krav, hvad angår støv, for de materialer, du ønsker at arbejde med
- **Hold hænderne væk fra skæreamrådet og savklingen; tag fat om det tøndeformede greb H ②** med din anden hånd (hvis begge hænder holder fast i saven, kan de ikke blive beskadiget af savklingen)
- **Stik ikke hånden ind under arbejdsemnet** (afstanden mellem klingens og hånden er ikke synlig)
- **Hold aldrig arbejdsemnet, som skal saves, i hænderne eller hen over et ben** (det er vigtigt at understøtte arbejdsemnet korrekt for at minimere kontakt med kroppen, undgå at savklingen sætter sig fast eller at De mister kontrol over saven)
- **Brug klemmer eller lignende udstyr til at sikre og støtte arbejdsemnet** (hvis du holder arbejdsemnet i hånden eller mod kroppen, kan du miste kontrol over værktøjet)
- **Anvend aldrig en sløv eller beskadiget savklinge** (bøjede klinger kan let knække eller forårsage tilbageslag)
- **Undgå at placere hænderne mellem værktøjets hus og klinge-klemmen D ②** (klinge-klemmen kan knibe i fingrene)
- **Kontroller, at klinge-klemmen D ② er fastspændt, inden savningen påbegyndes** (hvis klemmen ikke er fastspændt kan det medføre, at værktøjet eller savklingen smutter, så du mister kontrol over værktøjet)
- **Brug beskyttelseshandsker, når du tager savklingen ud af værktøjet** (savklingen kan være varm, hvis værktøjet har været i brug i længere tid)
- Brug beskyttelsesbriller og høreværn

## FORKLARING TIL SYMBOLLERNE PÅ VÆRKTØJET

- ③ Læs instruktionen inden brugen
- ④ Dobbelt isolering (jordforbindelse unødvendig)
- ⑤ Værktøj må ikke bortskaffes som almindeligt affald

## BETJENING

- Tænd/sluk ⑥
- Hastighedskontrol  
Ved hjælp af hjulet C ② kan savehastigheden justeres fra lav til høj (6 positioner)

- Indstilling af omdrejningstallet efter det anvendte materiale ⑦
- ! **hvis værktøjet ikke kører med hjulet C ② i position 1, skal De vælge et højere omdrejningstal og så sætte det ned, mens værktøjet kører**
- Montering af savklinge ⑧
- ! **træk stikket ud af kontakten**
  - tryk klinge-klemmen D frem og hold den i denne position
  - sæt savklingen i helt (med tænderne opad eller nedad)
  - slip klinge-klemmen D
  - træk savklingen lidt ud, indtil klemmen D klikker i vinklet position
  - skub savklingen i og træk den ud for at kontrollere, at den er korrekt låst
- ! **kontroller, at klinge-klemmen D ② er fastspændt, inden savningen påbegyndes (hvis klemmen ikke er fastspændt kan det medføre, at værktøjet eller savklingen smutter, så du mister kontrol over værktøjet)**
- ! **kontroller, at savklingens forreste ende føres gennem fodpladen E i hele slaglængden**
- Afmontering af savklinge ⑨
  - tryk klinge-klemmen D frem og hold den i denne position
  - træk savklingen ud
  - slip (klinge-klemmen D)
- Justerbar fodplade ⑩
  - fodpladen E skråtstilles for at sikre, at så meget af dens overflade har kontakt med arbejdsemnet
  - juster fodpladen ved at holde saven godt fast og dreje fodpladen i den ønskede position
- Opbevaringsrum til savklinge ⑪
  - kontroller, at opbevaringsrummet F er lukket for at undgå, at savklinger falder ud
- Betjening af værktøjet
- ! **sørg for at spænde arbejdsemnet godt fast**
  - afmærk skærelinjen på arbejdsemnet
  - indstil hastigheden ved hjælp af hjulet C ②
  - sæt stikket i en stikkontakt (indikatoryset B tændes og viser, at strømmen er tilsluttet) ⑫
  - hold værktøjet med den ene hånd på håndtag G ② og læg den anden hånd på den isolerede gribefflade H ②
  - tænd værktøjet
- ! **værktøjet skal køre ved fuld hastighed, før savklingen sættes i arbejdsemnet**
  - før værktøjet langs den afmærkede skærelinje
  - sørg for at holde fodplade E ② tæt mod arbejdsemnet for at minimere modkraft og vibrationer
- Håndtering og styring af værktøjet
- ! **under arbejde, hold altid om værktøjet på de grå markerede grebsområde(r) ⑬**
  - hold ventilationshullerne J ② utildækkede
  - pres ikke for hårdt med værktøjet; lad værktøjet gøre arbejdet for dig
- ! **kontroller, at savklingen rækker ud over arbejdsemnet under hele slaglængden ⑭**
- Justering af den effektive savdybde ⑮
  - brug de to fastgørelsesbolte K for at skubbe fodpladen E frem/tilbage for at øge/mindske den effektive savdybde
- ! **forsøg ikke at justere den effektive slaglængde med skruer L som er forudindstillet på fabrikken**

## GODE RÅD

- Indstiksskæring <sup>16</sup>  
Indstiksskæring kan laves i træ eller lignende bløde materialer uden at bore et hul først
  - brug en tyk savklinge
  - monter savklingen således, at tænderne peger opad
  - hold saven med bunden i vejret som vist
  - afmærk den ønskede skærelinje på arbejdsområdet
  - vælg position 1, 2 eller 3 med hjulet C
  - skråstil værktøjet, således at savklingen ikke berører arbejdsområdet
  - tænd værktøjet og sæt forsigtigt den bevægende savklinge i arbejdsområdet
  - når savklingen er trængt ind i arbejdsområdet fortsæt med at sav langs den afmærkede skærelinje
- ! **lav ikke indstiksskæringer i materialer af metal**
- Brug rigtige savklinger <sup>17</sup>
- Ved savning i metal, sørg for at smøre savklingen jævnlig med olie
- Splintfri savning
  - dæk snitlinjen med flere lag af bredt tape før De begynder at save
  - læg altid den pæneste side af arbejdsområdet nedad
- For flere tips se [www.skil.com](http://www.skil.com)

## VEDLIGEHOLDELSE/SERVICE

- Dette værktøj er ikke beregnet til professionelt brug
- Hold værktøjet og ledningen ren (især ventilationshullerne J <sup>2</sup>)  
! **træk stikket ud før rensning**
- Skulle el værktøjet trods omhyggelig fabrikation og kontrol holde op med at fungere, skal reparationen udføres af et autoriseret serviceværksted for SKIL-elektroværktøj
  - send den **uskilte** værktøjet sammen med et købsbevis til forhandleren eller nærmeste SKIL serviceværksted (adresser og reserveredtegning af værktøjet findes på [www.skil.com](http://www.skil.com))

## MILJØ

- **Elværktøj, tilbehør og emballage må ikke bortskaffes som almindeligt affald** (kun for EU-lande)
  - i henhold til det europæiske direktiv 2012/19/EF om bortskaffelse af elektriske og elektroniske produkter og gældende national lovgivning, skal brugt elværktøj indsamles separat og bortskaffes på en måde, der skåner miljøet mest muligt
  - symbolet <sup>5</sup> erindrer dig om dette, når udskiftning er nødvendig

## OVERENSSTEMMELSESERKLÆRING CE

### Bajonetsav 4900

#### Tekniske data <sup>1</sup>

- Vi erklærer under almindeligt ansvar, at det produkt, der er beskrevet under "Tekniske data", er i overensstemmelse med følgende standarder eller normative dokumenter: EN 60745, EN 61000, EN 55014, i henhold til bestemmelserne i direktiverne 2004/108/EF (indtil 19.04.2016), 2014/30/EU (fra 20.04.2016), 2006/42/EF, 2011/65/EU

- **Teknisk dossier hos:** SKIL Europe BV (PT-SEU/ENG1), 4825 BD Breda, NL

Marijn van der Hoofden  
Operations & Engineering

Olaf Dijkgraaf  
Approval Manager

SKIL Europe BV, 4825 BD Breda, NL

12.03.2015

## STØJ/VIBRATION

- Måles efter EN 60745 er lydtrykniveau af dette værktøj 90 dB(A) og lydeffektniveau 101 dB(A) (standard deviation: 3 dB), og vibrationsniveauet \* m/s<sup>2</sup> (vektorsum for tre retninger; usikkerhed K = 1,5 m/s<sup>2</sup>)
  - \* ved skæring af spånplader 12,1 m/s<sup>2</sup>
  - \* ved skæring af træbjælke 12,2 m/s<sup>2</sup>
- Det vibrationsniveau er målt i henhold til den standardiserede test som anført i EN 60745; den kan benyttes til at sammenligne to stykker værktøj og som en foreløbig bedømmelse af udsættelsen for vibrationer, når værktøjet anvendes til de nævnte formål
  - anvendes værktøjet til andre formål eller med andet eller dårligt vedligehold tilbehør, kan dette **øge** udsættelsesniveauet betydeligt
  - de tidsrum, hvor værktøjet er slukket, eller hvor det reducerer udsættelsesniveauet betydeligt
- ! **beskyt dig selv imod virkningerne af vibrationer ved at vedligeholde værktøjet og dets tilbehør, ved at holde dine hænder varme og ved at organisere dine arbejdsmonstre**

N

## Bajonetsag

4900

## INTRODUKSJON

- Dette verktøyet er beregnet på saging av tre, plast, metall og byggematerialer samt for beskjæring og trimming av trær; det egner seg for rett og kurvet saging
- Dette verktøyet er ikke beregnet på profesjonell bruk
- Les og ta vare på denne brukerveiledningen <sup>3</sup>

## TEKNISKE DATA <sup>1</sup>

### VERKTØYELEMENTER <sup>2</sup>

- A Av/på bryter
- B Indikator "Strøm på"
- C Hjul til hastighetsvalg
- D Bladklemme
- E Justerbar fotplate
- F Oppbevaringsrom for sagblader
- G Håndtak
- H Tønnegrep
- J Ventilasjonsåpninger
- K Festebolter
- L Bladholderskrue

# SIKKERHET

## GENERELLE SIKKERHETSANVISNINGER

### **⚠ OBS!** Les gjennom alle advarslene og anvisningene.

Feil ved overholdelsen av advarslene og nedenstående anvisninger kan medføre elektriske støt, brann og/eller alvorlige skader. **Ta godt vare på alle advarslene og informasjonene.** Det nedenstående anvendte uttrykket "elektroverktøy" gjelder for strømdrevne elektroverktøy (med ledning) og batteridrevne elektroverktøy (uten ledning).

### 1) SIKKERHET PÅ ARBEIDSPLASSEN

- a) **Hold arbeidsområdet rent og ryddig.** Rotete arbeidsområder eller arbeidsområder uten lys kan føre til ulykker.
- b) **Ikke arbeid med maskinen i eksplosjonsutsatte omgivelser – der det befinner seg brennbare væsker, gass eller støv.** Elektroverktøy lager gnister som kan antenne støv eller damper.
- c) **Hold barn og andre personer unna når elektroverktøyet brukes.** Hvis du blir forstyrret under arbeidet, kan du miste kontrollen over maskinen.

### 2) ELEKTRISK SIKKERHET

- a) **Støpselet til maskinen må passe inn i stikkkontakten. Støpselet må ikke forandres på noen som helst måte. Ikke bruk adapterstøpsler sammen med jordede maskiner.** Bruk av støpsler som ikke er forandret på og passende stikkontakter reduserer risikoen for elektriske støt.
- b) **Unngå kroppskontakt med jordede overflater slik som rør, ovner, komfyrer og kjøleskap.** Det er større fare ved elektriske støt hvis kroppen din er jordet.
- c) **Hold maskinen unna regn eller fuktighet.** Dersom det kommer vann i et elektroverktøy, øker risikoen for elektriske støt.
- d) **Ikke bruk ledningen til andre formål, f.eks. til å bære maskinen, henge den opp eller trekke den ut av stikkkontakten. Hold ledningen unna varme, olje, skarpe kanter eller maskindeler som beveger seg.** Med skadede eller opphopede ledninger øker risikoen for elektriske støt.
- e) **Når du arbeider utendørs med et elektroverktøy, må du kun bruke en skjøteledning som er godkjent til utendørs bruk.** Når du bruker en skjøteledning som er egnet for utendørs bruk, reduseres risikoen for elektriske støt.
- f) **Hvis det ikke kan unngås å bruke elektroverktøyet i fuktige omgivelser, må du bruke en jordfeilbryter.** Bruk av en jordfeilbryter reduserer risikoen for elektriske støt.

### 3) PERSONSIKKERHET

- a) **Vær oppmerksom, pass på hva du gjør, gå fornuftig frem når du arbeider med et elektroverktøy. Ikke bruk maskinen når du er trett eller er påvirket av narkotika, alkohol eller medikamenter.** Et øyeblikks uoppmerksomhet ved bruk av maskinen kan føre til alvorlige skader.
- b) **Bruk personlig verneutstyr og husk alltid å bruke vernebriller.** Bruk av personlig sikkerhetsutstyr som støvmaske, sklifaste arbeidssko, hjelm eller hørselvern – avhengig av type og bruk av elektroverktøyet – reduserer risikoen for skader.

- c) **Unngå å starte verktøyet ved en feiltagelse. Forviss deg om at elektroverktøyet er slått av før du kobler det til strømmen og/eller batteriet, løfter det opp eller bærer det.** Hvis du holder fingeren på bryteren når du bærer elektroverktøyet eller kobler elektroverktøyet til strømmen i innkoblet tilstand, kan dette føre til uhell.
- d) **Fjern innstillingsverktøy eller skrunøkler før du slår på elektroverktøyet.** Et verktøy eller en nøkkel som befinner seg i en roterende maskindel, kan føre til skader.
- e) **Ikke overvrurder deg selv. Sørg for å stå stødig og i balanse.** Dermed kan du kontrollere maskinen bedre i uventede situasjoner.
- f) **Bruk alltid egnede klær. Ikke bruk vide klær eller smykker. Hold hår, tøy og hansker unna deler som beveger seg.** Løstsittende tøy, smykker eller langt hår kan komme inn i deler som beveger seg.
- g) **Hvis det kan monteres støvavsug- og oppsamlingsinnretninger, må du forvise deg om at disse er tilkoblet og brukes på korrekt måte.** Bruk av et støvavsug reduserer faren på grunn av støv.

### 4) AKTSOM HÅNDTERING OG BRUK AV ELEKTROVERKTØY

- a) **Ikke overbelast maskinen. Bruk et elektroverktøy som er beregnet til den type arbeid du vil utføre.** Med et passende elektroverktøy arbeider du bedre og sikrere i det angitte effektområdet.
- b) **Ikke bruk elektroverktøy med defekt på-/avbryter.** Et elektroverktøy som ikke lenger kan slås av eller på, er farlig og må repareres.
- c) **Trekk støpselet ut av stikkkontakten og/eller fjern batteriet før du utfører innstillinger på elektroverktøyet, skifter tilbehørsdeler eller legger maskinen bort.** Disse tiltakene forhindrer en utilsiktet startung av maskinen.
- d) **Elektroverktøy som ikke er i bruk må oppbevares utilgjengelig for barn. Ikke la maskinen brukes av personer som ikke er fortrolig med dette eller ikke har lest disse anvisningene.** Elektroverktøy er farlige når de brukes av uerfarne personer.
- e) **Vær nøye med vedlikeholdet av maskinen. Kontroller om bevegelige maskindeler fungerer feilfritt og ikke klemmes fast, og om deler er brukt eller skadet, slik at dette innvirker på maskinens funksjon. La skadede deler repareres før maskinen brukes.** Dårlig vedlikeholdte elektroverktøy er årsaken til mange uhell.
- f) **Hold skjæreverktøyene skarpe og rene.** Godt stelte skjæreverktøy med skarpe skjær setter seg ikke så ofte fast og er lettere å føre.
- g) **Bruk elektroverktøy, tilbehør, verktøy osv. i henhold til disse anvisningene. Ta hensyn til arbeidsforholdene og arbeidet som skal utføres.** Bruk av elektroverktøy til andre formål enn det som er angitt kan føre til farlige situasjoner.

### 5) SERVICE

- a) **Maskinen din skal alltid kun repareres av kvalifisert fagpersonell og kun med originale reservedeler.** Slik opprettholdes maskinens sikkerhet.

## SIKKERHETSANVISNINGER FOR BAJONETTSAGER

### TILBEHØR

- **SKIL** kan kun garantere et feilfritt verktøy dersom original-tilbehør brukes

- Bruk kun tilbehør med et godkjent turtall som er minst like høyt som verktøyet høyeste tomgangsturtall

#### FØR BRUK

- Sjekk alltid at tilført spenningen er den samme som oppgitt på verktøyet merkeplate
- Ungå skade p.g.a. skruer, spiker eller andre elementer i arbeidsstykket; fjernes før man starter jobben

#### ELEKTRISK SIKKERHET

- Bruk helt utrullet og sikker skjoteledning med en kapasitet på 16 A
- **Hold verktøyet i de isolerte gripeflatene når du utfører arbeid hvor du kan komme til å skjære i skjulte kabler/ledninger eller verktøyledningen** (berøring med en strømførende ledning vil gjøre verktøyet udekkede metalldele strømførende og gi brukeren et støt)
- **Bruk egnede detektorer til å finne skjulte strøm-/gass-/vannledninger, eller spør hos det lokale el-/gass-/vannverket** (kontakt med elektriske ledninger kan medføre brann og elektrisk støt; skader på en gassledning kan føre til eksplosjon; inntrenging i en vannledning forårsaker materielle skader og kan medføre elektriske støt)

#### PERSONSIKKERHET

- I tilfelle en elektrisk eller mekanisk svikt, skal verktøyet med en gang slås av og støpslet trekkes ut
- Verktøyet må ikke brukes av personer under 16 år
- **Ikke bearbeid asbestholdig material** (asbest kan fremkalle kreft)
- Støv fra materialer som blyholdig maling, visse tresorter, mineraler og metall kan være skadelig (kontakt med eller inhalering av støv kan gi allergiske reaksjoner og/eller sykdommer i åndedretsorganene for brukeren eller personer i nærheten); **bruk støvmaske og arbeid med støvfjerningsutstyr når det er mulig**
- Visse typer støv er klassifisert som kreftfremkallende (som f.eks. støv fra eik og bøk), spesielt sammen med tilsetningsstoffer for trebehandling; **bruk støvmaske og arbeid med støvfjerningsutstyr når det er mulig**
- Følg de nasjonale krav, når det gjelder støv for de materialer du ønsker å arbeide med
- **Hold hendene unna sagområdet og bladet; hold den andre hånden din på tønnegrepet H ②** (hvis du holder sagen med begge hendene, kan de ikke bli kuttet av bladet)
- **Ikke strekk hånden under arbeidsstykket** (du kan ikke se hvor nær hånden din er bladet)
- **Du må aldri holde stykket du arbeider med i hendene eller på tvers over beinet** (det er viktig å spenne fast arbeidsstykket skikkelig for å minske risikoen for kroppsskade, for at bladet skal sette seg fast, eller for å miste kontrollen)
- **Bruk klemmer eller annet utstyr til å feste og støtte arbeidsemnet** (hvis du holder emnet i hånden eller klemmer det mot kroppen, kan du miste kontrollen over arbeidsoperasjonen)
- **Ikke bruk et sagblad som er sløvt eller skadet** (bøyde blader kan lett brette eller få sagen til å hoppe bakover (tilbakeslag))
- **Hold hendene dine unna området mellom verktøyhuset og bladklemmen D ②** (bladklemmen kan komme til å klemme fingrene dine)

- **Forviss deg om at bladklemmen D ②** er strammet før du begynner å sage (en løs klemme kan få verktøyet eller bladet til å glipe, slik at du mister kontrollen)

- **Bruk vernehansker når du fjerner bladet fra verktøyet** (sagbladet kan være varmt etter langvarig bruk)

- Bruk beskyttelsesbriller og hørselsvern

#### FORKLARING AV SYMBOLER PÅ VERKTØY

③ Les instruksjonsboken før bruk

④ Dobbeltisolert (ikke nødvendig med jordingsleder)

⑤ Kast aldri verktøy i husholdningsavfall

## BRUK

- Av/på ⑥
- Hastighetsregulering  
Ved hjelp av hjulet C ② kan sagehastigheten justeres fra lav til høy (6 posisjoner)
- Justering av slagtalet tilpasses til materialet ⑦  
**! hvis verktøyet ikke går med hjulet C ② i stilling 1, velg en høyere slagtalet, men senk slagtalet mens verktøyet går**
- Montering av sagbladet ⑧  
**! trekk ut støpselet av stikkkontakten**
  - trykk bladklemmen D forover og hold den i denne stillingen
  - sett bladet inn (med tennene ned eller opp) så langt det går
  - slipp bladklemmen D
  - trekk bladet litt ut inntil klemmen D klikker inn i en firkantposisjon
  - trykk på og trekk ut bladet for å kontrollere at det sitter fastlåst
- **! forviss deg om at bladklemmen D ② er strammet før du begynner å sage (en løs klemme kan få verktøyet eller bladet til å glipe, slik at du mister kontrollen)**
- **! forviss deg om at fremre del av bladet går gjennom fotplaten E i hele slaglengden**
- Fjerning av sagbladet ⑨
  - trykk bladklemmen D forover og hold den i denne stillingen
  - trekk bladet ut
  - slipp bladklemmen D
- Justerbar fotplate ⑩
  - fotplaten E kan vippes, så mest mulig av overflaten til platen er i kontakt med arbeidsemnet
  - juster fotplaten ved å holde sagen i et fast grep og vende fotplaten til ønsket stilling
- Oppbevaringsrom for sagblader ⑪
  - forviss deg om at oppbevaringsrommet F er lukket, så bladene ikke kan falle ut
- Bruk av verktøyet  
**! klem arbeidsemnet ordentlig på plass**
  - merk av saglinjen på emnet
  - velg ønsket sagehastighet med hjulet C ②
  - sett pluggen i en stikkontakt (lyset B kommer på som indikasjon på at verktøyet får strøm) ⑫
  - hold verktøyet med en hånd på håndtaket G ② og den andre på det isolerte tønnegrepet H ②
  - slå på verktøyet
- **! verktøyet må ha nådd makshastighet før sagbladet kommer i kontakt med arbeidsstykket**

- før verktøyet langs den oppmerkede saglinjen
- hold fotplaten E ② fast mot arbeidsemnet for å gjøre motkraften og vibrasjonene minst mulig
- Grep og styring av verktøyet
- ! **under arbeid, hold verktøyet alltid i grått(gråe) grepsområde(r) ⑬**
- hold ventilasjonsåpningen J ② utildekket
- ikke utøv for meget press på verktøyet; la verktøyet gjøre jobben for deg
- ! **forviss deg om at sagbladet går gjennom emnet under hele slaget ⑭**
- Justering av effektiv sagedybde ⑮
- bruk begge festeboltene K til å skyve på fotplaten E forover/bakover for å øke/ redusere den effektive sagedybden
- ! **ikke prøv å justere den effektive slaglengden med skruen L som er forhåndsinnstilt fra fabrikk**

## BRUKER TIPS

- Spaltekutt ⑯
- Spaltekutt kan gjøres i tre og andre myke materialer uten forhåndsboring
- bruk et tykt sagblad
- monter bladet med tennene oppover
- hold sagen opp ned, som vist
- merk av den ønskede saglinjen på arbeidsemnet
- velg posisjon 1, 2 eller 3 med hjulet C
- vipp verktøyet slik at bladet ikke berører arbeidsemnet
- slå på verktøyet og sett sagbladet forsiktig mot emnet
- etter at bladet har gått inn i emnet, må du fortsette å sage langs saglinjen
- ! **ikke foreta spaltekutt i metalliske materialer**
- Bruk riktig sagblad ⑰
- Ved boring i metaller, smør sagbladet regelmessig med olje
- Splinfri saging
  - skjærm snittlinjen med flere lager av vide tape for man starter sagingen
  - sag alltid på baksiden av materialet
- Se flere tips på [www.skil.com](http://www.skil.com)

## VEDLIKEHOLD / SERVICE

- Dette verktøyet er ikke beregnet på profesjonell bruk
- Hold alltid verktøyet og kabelen ren (spesielt ventilasjonshullene J ②)
- ! **dra ut støpselet for rengjøring**
- Hvis elektroverktøyet til tross for omhyggelige produksjons- og kontrollmetoder en gang skulle svikte, må reparasjonen utføres av et autorisert serviceverksted for SKIL-elektroverktøy
- send verktøyet i **montert** tilstand sammen med kjøpebevis til forhandleren eller nærmeste SKIL servicesenter (adresser liksom service diagram av verktøyet finner du på [www.skil.com](http://www.skil.com))

## MILJØ

- **Kast aldri elektroverktøy, tilbehør og emballasje i husholdningsavfallet** (kun for EU-land)
- i henhold til EU-direktiv 2012/19/EF om kasserte elektriske og elektroniske produkter og direktivets

iverksetting i nasjonal rett, må elektroverktøy som ikke lenger skal brukes, samles separat og returneres til et miljøvennlig gjenvinningsanlegg

- symbolet ⑤ er påtrykt som en påminnelse når utskiftning er nødvendig

## SAMSVARERKLÆRING CE

### Bajonetsag 4900

#### Tekniske data ①

- Vi erklærer som eneansvarlig at produktet som beskrives under "Tekniske data" stemmer overens med følgende normer eller normative dokumenter: EN 60745, EN 61000, EN 55014, jf. bestemmelserne i direktivene 2004/108/EF (frem til 19.04.2016), 2014/30/EU (fra 20.04.2016), 2006/42/EF, 2011/65/EU
- **Tekniske underlag hos:** SKIL Europe BV (PT-SEU/ENG1), 4825 BD Breda, NL

Marijn van der Hoofden  
Operations & Engineering

Olaf Dijkgraaf  
Approval Manager




SKIL Europe BV, 4825 BD Breda, NL

12.03.2015

## STØY/VIBRASJON

- Målt ifølge EN 60745 er lydtryknivået av dette verktøyet 90 dB(A) og lydstyrkenivået 101 dB(A) (standard deviasjon: 3 dB), og vibrasjonsnivået \* m/s<sup>2</sup> (vektorsum fra tre retninger; usikkerhet K = 1,5 m/s<sup>2</sup>)
- \* ved skjæring i sponplate 12,1 m/s<sup>2</sup>
- \* ved skjæring i trebjelke 12,2 m/s<sup>2</sup>
- Det avgitte vibrasjonsnivået er blitt målt i samsvar med en standardisert test som er angitt i EN 60745; den kan brukes til å sammenligne et verktøy med et annet, og som et foreløpig overlapp for eksponering for vibrasjoner ved bruk av verktøyet til de oppgavene som er nevnt
- bruk av verktøyet til andre oppgaver, eller med annet eller mangelfullt vedlikeholdt utstyr, kan gi en vesentlig **økning** av eksponeringsnivået
- tidsrommene når verktøyet er avslått eller når det går men ikke arbeider, kan gi en vesentlig **reduksjon** av eksponeringsnivået
- ! **beskytt deg selv mot virkningene av vibrasjoner ved å vedlikeholde verktøyet og utstyret, holde hendene varme og organisere arbeidsmåten din**

FIN

Puukkosaha

4900

## ESITTELY

- Koneet on tarkoitettu puun, muovin, metallin ja rakennusmateriaalien sahaukseen samoin kuin puiden karsimiseen; se soveltuu suoraan ja käyriään leikkaamiseen
- Tätä työkalua ei ole tarkoitettu ammattikäyttöön
- Lue ja säilytä tämä ohjekirja ③

## TEKNISEET TIEDOT ①

## LAITTEEN OSAT ②

- A Virtakytkin
- B Ilmainen "Virta päällä"
- C Nopeudensäätöpyörä
- D Teränpidike
- E Säädettyävä jalkalevy
- F Teränsäilytyslokero
- G Kahva
- H Tukikahva
- J Ilmanvaihto-aukot
- K Kiinnityspultit
- L Teränpidinruuvi

## TURVALLISUUS

### YLEISET TURVALLISUUSOHJEET

#### HUOMIO! Lue kaikki turvallisuus- ja muut ohjeet.

Turvallisuusohjeiden noudattamisen laiminlyönti saattaa johtaa sähköiskuun, tulipaloon ja/tai vakavaan loukkaantumiseen. **Säilytä kaikki turvallisuus- ja muut ohjeet tulevaisuutta varten.** Turvallisuusohjeissa käytetty käsite "sähkötyökalu" käsittää verkkokäyttöisiä sähkötyökaluja (verkkojohdolla) ja akkukäyttöisiä sähkötyökaluja (ilman verkkojohdtoa).

#### 1) TYÖPAIKAN TURVALLISUUS

- a) **Pidä työskentelyalue puhtaana ja hyvin valaistuna.** Työpaikan epäjärjestys tai valaisemattomat työalueet voivat johtaa tapaturmiin.
- b) **Älä työskentele sähkötyökalulla räjähdysalttiissa ympäristössä, jossa on palavaa nestettä, kaasua tai pölyä.** Sähkötyökalu muodostaa kipinöitä, jotka saattavat sytyttää pölyn tai höyryt.
- c) **Pidä lapset ja sivulliset loitolla sähkötyökalua käyttäessäsi.** Voit menettää laitteesi hallinnan, huomiosi suuntautuessa muualle.

#### 2) SÄHKÖTURVALLISUUS

- a) **Sähkötyökalun pistotulpan tulee sopia pistorasiaan.** Pistotulppaa ei saa muuttaa millään tavalla. Älä käytä mitään pistorasia-adaptoreita maadoitettujen sähkötyökalujen kanssa. Alkuperäisessä kunnossa olevat pistotulpat ja sopivat pistorasiat vähentävät sähköiskun vaaraa.
- b) **Vältä koskettamasta maadoitettuja pintoja, kuten putkia, pattereita, liesiä tai jääkaappeja.** Sähköiskun vaara kasvaa, jos kehosi on maadoitettu.
- c) **Älä aseta sähkötyökalua alttiiksi sateelle tai kosteudelle.** Veden tunkeutuminen sähkötyökalun sisään kasvattaa sähköiskun riskiä.
- d) **Älä käytä verkkojohtoa väärin. Älä käytä sitä sähkötyökalun kantamiseen, vetämiseen tai pistotulpan irrottamiseen pistorasiasta.** Pidä johto loitolla kuumuudesta, öljystä, terävistä reunoista ja liikkuvista osista. Vahingoittuneet tai sokeutuneet johdot kasvattavat sähköiskun vaaraa.
- e) **Käyttäessäsi sähkötyökalua ulkona, käytä ainoastaan ulkokäyttöön soveltuvaa jatkojohtoa.** Ulkokäyttöön soveltuvan jatkojohdon käyttö pienentää sähköiskun vaaraa.

- f) **Jos sähkötyökalun käyttö kosteassa ympäristössä ei ole vältettävissä, tulee käyttää maavuotokatkaisijaa.** Maavuotokatkaisijan käyttö vähentää sähköiskun vaaraa.

#### 3) HENKILÖTURVALLISUUS

- a) **Ole valpas, kiinnitä huomiota työskentelyysi ja noudata tervettä järkeä sähkötyökalua käyttäessäsi. Älä käytä sähkötyökalua, jos olet väsynyt tai huumeiden, alkoholin tahi lääkkeiden vaikutuksen alaisena.** Hetken tarkkaamattomuus sähkötyökalua käytettäessä, saattaa johtaa vakavaan loukkaantumiseen.
  - b) **Käytä suojavarusteita. Käytä aina suojalaseja.** Henkilökohtaisen suojavarustuksen käyttö, kuten pölynaamarin, luistamattomien turvakengien, suojakypärän tai kuulonsuojaimien, riippuen sähkötyökalun lajista ja käyttötavasta, vähentää loukkaantumisriskiä.
  - c) **Vältä tahatonta käynnistämistä. Varmista, että sähkötyökalu on poiskytketty, ennen kuin liität sen sähköverkkoon ja/tai liität akun, otat sen käteen tai kannat sitä.** Jos kannat sähkötyökalua sormi käynnistyskytkimellä tai kytket sähkötyökalun pistotulpan pistorasiaan, käynnistyskytkimen ollessa käyntiasennossa, altistat itsesi onnettomuuksille.
  - d) **Poista kaikki säätötyökalut ja ruuvitalat, ennen kuin käynnistät sähkötyökalun.** Työkalu tai avain, joka sijaitsee laitteen pyörivässä osassa, saattaa johtaa loukkaantumiseen.
  - e) **Älä yliarvioi itseäsi. Huolehdi aina tukevasta seisoma-asennosta ja tasapainosta.** Täten voit paremmin hallita sähkötyökalua odottamattomissa tilanteissa.
  - f) **Käytä tarkoitukseen soveltuvia vaatteita. Älä käytä löysiä työvaatteita tai koruja. Pidä hiukset, vaatteet ja kineet loitolla liikkuvista osista.** Väljät vaatteet, korut ja pitkät hiukset voivat takertua liikkuviin osiin.
  - g) **Jos pölynimu- ja keräilylaitteita voidaan asentaa, tulee sinun tarkistaa, että ne on liitetty ja että ne käytetään oikealla tavalla.** Pölynimulaitteiston käyttö vähentää pölyn aiheuttamia vaaroja.
- #### 4) SÄHKÖTYÖKALUJEN KÄYTTÖ JA HOITO
- a) **Älä ylikuormita laitetta. Käytä kyseiseen työhön tarkoitettua sähkötyökalua.** Sopivaa sähkötyökalua käyttäen työskentelet paremmin ja varmemmin tehoalueella, jolle sähkötyökalu on tarkoitettu.
  - b) **Älä käytä sähkötyökalua, jota ei voida käynnistää ja pysäyttää käynnistyskytkimestä.** Sähkötyökalu, jota ei enää voida käynnistää ja pysäyttää käynnistyskytkimellä, on vaarallinen ja se täytyy korjata.
  - c) **Irrota pistotulppa pistorasiasta, ennen kuin suoritat säätöjä, vaihdat tarvikkeita tai siirrä sähkötyökalun varastoitavaksi.** Nämä turvatoimenpiteet pienentävät sähkötyökalun tahattoman käynnistysriskin.
  - d) **Säilytä sähkötyökalut poissa lasten ulottuvilta, kun niitä ei käytetä. Älä anna sellaisten henkilöiden käyttää sähkötyökalua, jotka eivät tunne sitä tai jotka eivät ole lukeneet tätä käyttöohjetta.** Sähkötyökalut ovat vaarallisia, jos niitä käyttävät kokemattomat henkilöt.
  - e) **Hoida sähkötyökalusi huolella. Tarkista, että liikkuvat osat toimivat moitteettomasti, eivätkä ole**

puristuksessa sekä, että siinä ei ole murtuneita tai vahingoittuneita osia, jotka saattaisivat vaikuttaa haitallisesti sähkötyökalun toimintaan. Anna korjauttaa mahdolliset viat ennen käyttöönottoa. Monen tapaturman syyt löytyvät huonosti huolletuista laitteista.

- f) **Pidä leikkausterät terävinä ja puhtaina.** Huollillisesti hoidetut leikkaustyökalut, joiden leikkausreunat ovat teräviä, eivät tartu helposti kiinni ja niitä on helpompi hallita.
- g) **Käytä sähkötyökaluja, tarvikkeita, vaihtotyökaluja jne. näiden ohjeiden mukaisesti. Ota tällöin huomioon työolosuhteet ja suoritettava toimenpide.** Sähkötyökalun käyttö muuhun kuin sille määrättyyn käyttöön, saattaa johtaa vaarallisiin tilanteisiin.
- 5) HUOLTO**
- a) **Anna koulutettujen ammattihenkilöiden korjata sähkötyökalusi ja hyväksy korjauksiin vain alkuperäisiä varaosia.** Täten varmistat, että sähkötyökalu säilyy turvallisena.

## PUUKKOSAHAT TURVALLISUUSOHJEET

### VARUSTEET

- SKIL pystyy takaamaan työkalun moitteettoman toiminnan vain, kun käytetään alkuperäisiä tarvikkeita
- Käytä vain tarvikkeita, joiden sallittu kierrosnopeus on vähintään yhtä suuri kuin laitteen suurin tyhjäkierrosnopeus

### ENNEN KÄYTTÖÄ

- Tarkista aina, että syöttöjännite on sama kuin työkalun nimiltaan osoittama jännite
- Vältä vaaralliset vahingot, jotka voivat aiheutua nauloista, ruuveista tai muista aineista työstettävässä materiaalissa; poista ne ennen työskentelyn aloittamista

### SÄHKÖTURVALLISUUS

- Käytä täysin rullaamattomia ja turvallisia jatkejohtoja, joiden kapasiteetti on 16 ampeeria
- **Pidä työkalusta kiinni sen eristetyistä tartuntapinnoista suoritettaessa toimintaa, jossa saha voi saada kontaktin kätkehtyyn johtoon tai sen omaan sähköjohtoon** (kontakti jännitteeseen johtoon saa myös työkalun paljastetut metalliosat jännitteiseksi ja aiheuttavat sähköiskun käyttäjälle)
- **Käytä sopivia etsintälaitteita pilossa olevien syöttöjohtojen paikallistamiseksi, tai käänny paikallisen jakelu-yhtiön puoleen** (kosketus sähköjohtoon saattaa johtaa tulipaloon ja sähköiskuun; kaasuputken vahingoittaminen saattaa johtaa räjähdykseen; vesijohtoon tunkeutuminen aiheuttaa aineellista vahinkoa tai saattaa johtaa sähköiskuun)

### HENKILÖTURVALLISUUS

- Jos huomaat sähköisen tai mekaanisen vian, sammuta kone heti ja irrota liitosjohto pistorasiasta
- Tätä työkalua saavat käyttää vain 16 vuotta täyttäneet henkilöt
- **Älä koskaan työstä asbestipitoista ainetta** (asbestia pidetään karsinogeenisena)
- Materiaaleista, kuten lijyypitoinen maali, jotkut puulajit, mineraalit ja metalli, tuleva pöly voi olla vahingollista (kosketuksiin joutuminen pölyn kanssa tai sen sisään hengittäminen voi aiheuttaa käyttäjälle tai sivustakatsojille allergiareaktioita ja/tai hengitysvaivoja); **käytä**

**pölynaamaria ja työskentele pölynpoistolaitteen kanssa, kun sellainen on liitettävissä**

- Tietynyyppiset pölyt on luokiteltu karsinogeenisiksi (kuten tammi- ja pyökkipöly) erityisesti puun käsittelyyn käytettävien lisäaineiden yhteydessä; **käytä pölynaamaria ja työskentele pölynpoistolaitteen kanssa, kun sellainen on liitettävissä**
  - Noudata maakohtaisia pölyyn liittyviä sääntöjä
  - **Pidä kädet poissa sahausalueelta ja terästä; pidä toinen käsi tukikahvalla H ②** (jos molemmat kädet pitävät kiinni sahasta, terän ei ole mahdollista päästä koskettamaan niitä)
  - **Älä kurota työkalun alapuolelle** (etäisyys terästä käteen ei ole näkyvässä)
  - **Älä koskaan pidä sahattavaa työkalua kädessäsi tai jalkojen poikki** (työkalu on tärkeää tukea asianmukaisesti keholle aiheutuvien vaarojen, terän kiinnittämisen tai kontrollin menettämisen minimoimiseksi)
  - **Tue työstettävä kohde puristimilla tai muilla välineillä** (työstettävän kohteen pitäminen kädessä tai keho vasten voi aiheuttaa hallinnan menetyksen)
  - **Älä käytä tylysiä tai vaurioituneita teriä** (käyrät terät voivat hajota helposti tai aiheuttaa takapotkun)
  - **Pidä kädet poissa työkalun rungon ja teränpitimen D ② välistä** (teränpidin voi puristaa sormia)
  - **Varmista, että teränpidin D ② on kunnolla kiinni** ennen kuin aloitat sahaamisen (jos teränpidin on kiinnitetty huonosti, työkalu tai terä voi luiskahtaa ja aiheuttaa hallinnan menetyksen)
  - **Käytä suojakäsineitä, kun irrotat terän työkalusta** (sahanterä voi olla kuumaa pitkäaikaisen käytön jälkeen)
  - Käytä suojalaseja ja kuulonsuojaimia
- TYÖKALUN SYMBOLIEN SELITYKSET**
- ③ Lue käyttöohjeet ennen käyttöä
  - ④ Kaksoiseristys (ei tarvita maajohtoa)
  - ⑤ Älä hävitä konetta tavallisen kotitalousjätteen mukana

## KÄYTTÖ

- Käynnistys/pysäytys ⑥
- Nopeudensäätö  
Pyörällä C ② voidaan sahausnopeutta säätää hitaasta nopeaan (6 asentoa)
- Sahausnopeuden säätö käytettävään materiaaliin nähden ⑦  
**! jos työkalu ei aja pyörän C ② ollessa asennossa 1, valitse korkeampi sahausnopeus ja alenna sahausnopeutta työkalun ajon aikana**
- Sahanterän kiinnittäminen ⑧  
**! vedä pistoke pistorasiasta**
  - paina teränpidintä D eteenpäin ja jätä se tähän asentoon
  - työnnä terä (hampaat alas- tai ylöspäin) täysin sisään
  - vapauta teränpidin D
  - vedä terää hieman ulos, kunnes pidin D naksahtaa paikalleen
  - paina terää sisään ja vedä ulos, jotta voit varmistaa, että se on kunnolla paikallaan
- **! varmista, että teränpidin D ② on kunnolla kiinni** ennen kuin aloitat sahaamisen (jos teränpidin on kiinnitetty huonosti, työkalu tai terä voi luiskahtaa ja aiheuttaa hallinnan menetyksen)

- ! **varmista, että terän etuosa ylettyy jalkalevyn E läpi koko liikkeen pituudelta**
- Sahanterän irrottaminen ⑨
  - paina teränpidintä D eteenpäin ja jätä se tähän asentoon
  - vedä terä ulos
  - vapauta teränpidin D
- Säädettävä jalkalevy ⑩
  - jalkalevy E kallistuu, jotta mahdollisimman suuri osa sen pinnasta on kosketuksissa työstettävään kohteeseen
  - säädä jalkalevyä pitämällä sahasta tukevasti kiinni ja kääntämällä jalkalevy haluttuun asentoon
- Teränsäilytyslokero ⑪
  - varmista, että säilytyslokero F on suljettu, jotta terät eivät putoa
- Työkalun käyttö
  - ! **kiinnitä työstettävä kohde kunnolla**
  - merkitse sahauslinjaa
  - valitse haluttu sahausnopeus pyörällä C ②
  - yhdistä pistoke virtalähteeseen (valo B syytty ilmoittaen, että virta on kytketty työkaluun) ⑫
  - pidä työkalua siten, että pidät toisella kädellä kiinni kahvasta G ② ja toisella eristetystä tukikahvasta H ②
  - käynnistä kone
  - ! **työkalun pitää olla täydessä nopeudessa ennen kuin terä osuu työstettävään kohteeseen**
  - ohjaa työkalua merkittyä sahauslinjaa pitkin
  - pidä jalkalevy E ② tukevasti työstettävää kohdetta vasten vastavoiman ja värinän estämiseksi
- Koneen pitäminen ja ohjaaminen
  - ! **pidä työkalusta kiinni aina työskentelyn aikana harmaan värisestä kädensija(oista) ⑬**
  - pidä ilmanvaihto-aukkoja J ② peittämättöminä
  - älä paina työkalua liian voimakkaasti; vaan anna työkalun tehdä työ puolestasi
  - ! **varmista, että sahanterä ylettyy työhön koko liikkeen pituudelta ⑭**
- Tehollisen sahausvyödyden säätö ⑮
  - käyttää kumpaakin kiinnityspulttia K liukumista varten jalkalevyä E eteenpäin/taaksepäin, jolloin tehollinen sahausvyödyden suurenee/pienenee
  - ! **älä yritä säätää tehollista iskunpituutta ruuvilla L, joka on säädetty tehtaalla**

## VINKKEJÄ

- Pistosahaus ⑯
  - Pistoreikiä voidaan tehdä puuhun ja muihin pehmeisiin materiaaleihin ilman reiän esiporaamista
  - käytä paksua sahanterää
  - kiinnitä terän siten, että hammastus on ylöspäin
  - pidä sahaa ylösalaisin kuvan osoittamalla tavalla
  - merkitse haluttu sahauslinja työstettävään kohteeseen
  - valitse asento 1, 2 tai 3 pyörällä C
  - kallista työkalua siten, että terä ei koske työstettävään kohteeseen
  - kytke työkalu päälle ja aseta liukuva sahanterä varovasti työstettävään kohteeseen
  - kun terä on läpäissyt työstettävän kohteen, jatka sahaamista merkittyä sahauslinjaa pitkin
  - ! **älä tee pistoreikiä metalliin**

- Käytä oikeita sahanteriä ⑰
- Metallia sahattaessa voitele sahanterä öljyllä säännöllisin väliajoin
- Repeämätön katkaisusahaus
  - peitä sahauslinja useilla kerroksilla teippiä ennen sahausken suorittamista
  - aseta työstettävänä olevan kappaleen hyvä puoli aina alaspäin
- Lisävinkkejä on tarjolla web-osoitteessa [www.skil.com](http://www.skil.com)

## HOITO / HUOLTO

- Tätä työkalua ei ole tarkoitettu ammattikäyttöön
- Pidä työkalu ja johto puhtaina (varmista erityisesti ilma-aukkojen puhtaus J ②)
- ! **irrota liitosjohto aina puhdistuksen ajaksi pistorasialta**
- Jos sähkötyökalussa, huolellisesta valmistuksesta ja koestusmenettelystä huolimatta esiintyy vikaa, tulee korjaus antaa SKIL sopimushuollon tehtäväksi
  - toimita työkalu sitä osiin **purkamatta** lähimpään SKIL-huoltoon (osoitteet ja työkalun huoltokaava ovat tarjolla web-osoitteessa [www.skil.com](http://www.skil.com)) ostotodiste mukaan liitettynä

## YMPÄRISTÖNSUOJELU

- **Älä hävitä sähkötyökalua, tarvikkeita tai pakkausta tavallisen kotitalousjätteen mukana** (koskee vain EU-maita)
  - vanhoja sähkö- ja elektroniikkalaitteita koskevan EU-direktiivin 2012/19/ETY ja sen maakohtaisten sovellusten mukaisesti käytetyt sähkötyökalut on toimitettava ongelmajätteen keräyspisteeseen ja ohjattava ympäristöystävälliseen kierrätykseen
  - symboli ⑤ muistuttaa tästä, kun käytöstä poisto tulee ajankohtaiseksi

## VAATIMUSTEN- MUKAISUUSVAKUUTUS € €

### Puukkosaha 4900

#### Tekniset tiedot ①

- Vakuutamme yksin vastaavamme siitä, että kohdassa "Tekniset tiedot" selostettu tuote vastaa seuraavia standardeja tai standardoituja asiakirjoja: EN 60745, EN 61000, EN 55014 direktiivien 2004/108/EY (19.04.2016 asti), 2014/30/EU (20.04.2016 alkaen), 2006/42/EY, 2011/65/EU määräysten mukaan
- **Tekninen tiedosto kohdasta:** SKIL Europe BV (PT-SEU/ENG1), 4825 BD Breda, NL

Marijn van der Hoofden      Olaf Dijkgraaf  
Operations & Engineering      Approval Manager




SKIL Europe BV, 4825 BD Breda, NL

12.03.2015



## MELU/TÄRINÄ

- Mitattuna EN 60745 mukaan työkalun melutaso on 90 dB(A) ja yleensä työkalun äänen voimakkuus on 101 dB(A) (keskihajonta: 3 dB), ja tärinän voimakkuus \* m/s<sup>2</sup> (kolmen suunnan vektorisumma; epävarmuus K = 1,5 m/s<sup>2</sup>)
    - \* lastulevyssä sahattaessa 12,1 m/s<sup>2</sup>
    - \* puupalkkia sahattaessa 12,2 m/s<sup>2</sup>
  - Tärinäsaiteilytaso on mitattu standardin EN 60745 mukaisen standarditestin mukaisesti; sitä voidaan käyttää verrattaessa yhtä laitetta toiseen sekä alustavana tärinälle altistumisen arviona käytettäessä laitetta manituissa käyttötarkoituksissa
    - laitteen käyttö eri käyttötarkoituksiin tai erilaisten tai huonosti ylläpidettyjen lisälaitteiden kanssa voi **lisätä** merkittävästi altistumistasoa
    - laitteen ollessa sammuksissa tai kun se on käynnissä, mutta sillä ei tehdä työtä, altistumistaso voi olla huomattavasti **pienempi**
- ! suojaudu tärinän vaikutuksilta ylläpitämällä laite ja sen lisävarusteet, pitämällä kädet lämpiminä ja järjestyksellä työmenetelmät**

E

## Sierra sable

4900

## INTRODUCCIÓN

- Esta herramienta está diseñada para limar madera, plástico, metal y materiales de construcción así como para podar y cortar árboles, adecuada para cortes curvos y rectos
- Esta herramienta no está concebida para uso profesional
- Lea y conserve este manual de instrucciones ③

## DATOS TÉCNICOS ①

## ELEMENTOS DE LA HERRAMIENTA ②

- A Interruptor de activación/desactivación
- B Indicador de encendido
- C Rueda de selección de la velocidad
- D Abrazadera de la hoja
- E Plataforma de pie ajustable
- F Compartimento de almacenaje de la hoja
- G Empuñadura
- H Empuñadura del tambor
- J Ranuras de ventilación
- K Pernos de sujeción
- L Tornillo de sujeción de la hoja

## SEGURIDAD

### INSTRUCCIONES GENERALES DE SEGURIDAD

**⚠ ¡ATENCIÓN! Lea íntegramente estas advertencias de peligro e instrucciones.** En caso de no atenderse a las advertencias de peligro e instrucciones siguientes, ello puede ocasionar una descarga eléctrica, un incendio y/o lesión grave. **Guardar todas las advertencias de peligro e instrucciones para futuras consultas.** El término

“herramienta eléctrica” empleado en las siguientes advertencias de peligro se refiere a herramientas eléctricas de conexión a la red (con cable de red) y a herramientas eléctricas accionadas por acumulador (o sea, sin cable de red).

### 1) SEGURIDAD DEL PUESTO DE TRABAJO

- a) **Mantenga limpia y bien iluminada su área de trabajo.** El desorden o una iluminación deficiente en las áreas de trabajo pueden provocar accidentes.
- b) **No utilice la herramienta eléctrica en un entorno con peligro de explosión, en el que se encuentren combustibles líquidos, gases o material en polvo.** Las herramientas eléctricas producen chispas que pueden llegar a inflamar los materiales en polvo o vapores.
- c) **Mantenga alejados a los niños y otras personas de su área de trabajo al emplear la herramienta eléctrica.** Una distracción le puede hacer perder el control sobre la herramienta.

### 2) SEGURIDAD ELÉCTRICA

- a) **El enchufe de la herramienta debe corresponder a la toma de corriente utilizada. No es admisible modificar el enchufe en forma alguna. No emplear adaptadores en herramientas dotadas con una toma de tierra.** Los enchufes sin modificar adecuados a las respectivas tomas de corriente reducen el riesgo de una descarga eléctrica.
- b) **Evite que su cuerpo toque partes conectadas a tierra como tuberías, radiadores, cocinas y refrigeradores.** El riesgo a quedar expuesto a una descarga eléctrica es mayor si su cuerpo tiene contacto con tomas de tierra.
- c) **No exponga las herramientas eléctricas a la lluvia o a condiciones de humedad.** Existe el peligro de recibir una descarga eléctrica si penetran líquidos en la herramienta.
- d) **No utilice el cable de red para transportar o colgar la herramienta, ni tire de él para sacar el enchufe de la toma de corriente. Mantenga el cable de red alejado del calor, aceite, esquinas cortantes o piezas móviles.** Los cables de red dañados o enredados pueden provocar una descarga eléctrica.
- e) **Al trabajar con la herramienta eléctrica en la intemperie utilice solamente cables de prolongación homologados para su uso en exteriores.** La utilización de un cable de prolongación adecuado para su uso en exteriores reduce el riesgo de una descarga eléctrica.
- f) **Si el funcionamiento de una herramienta eléctrica en un lugar húmedo fuese inevitable, utilice un cortacircuito de fuga a tierra.** El uso de un cortacircuito de fuga a tierra reduce el riesgo de descarga eléctrica.

### 3) SEGURIDAD DE PERSONAS

- a) **Esté atento y emplee la herramienta con prudencia. No utilice la herramienta eléctrica si estuviese cansado, ni bajo los efectos de alcohol, drogas o medicamentos.** El no estar atento durante el uso de una herramienta eléctrica puede provocar serias lesiones.
- b) **Utilice un equipo de protección personal y en todo caso unas gafas de protección.** El riesgo a lesionarse

se reduce considerablemente si, dependiendo del tipo y la aplicación de la herramienta eléctrica empleada, se utiliza un equipo de protección adecuado como una mascarilla antipolvo, zapatos de seguridad con suela antideslizante, casco, o protectores auditivos.

- c) **Evite una puesta en marcha fortuita. Asegurarse de que la herramienta eléctrica esté desconectada antes de conectarla a la toma de corriente y/o al montar el acumulador, al recogerla, y al transportarla.** Si transporta la herramienta eléctrica sujetándola por el interruptor de conexión/desconexión, o si introduce el enchufe en la toma de corriente con la herramienta eléctrica conectada, ello puede dar lugar a un accidente.
- d) **Retire las herramientas de ajuste o llaves fijas antes de conectar la herramienta eléctrica.** Una herramienta o llave colocada en una pieza rotativa puede producir lesiones graves al accionar la herramienta eléctrica.
- e) **Sea precavido. Trabaje sobre una base firme y mantenga el equilibrio en todo momento.** Ello le permitirá controlar mejor la herramienta eléctrica en caso de presentarse una situación inesperada.
- f) **Lleve puesta una vestimenta de trabajo adecuada. No utilice vestimenta amplia ni joyas. Mantenga su pelo, vestimenta y guantes alejados de las piezas móviles.** La vestimenta suelta, las joyas y el pelo largo se pueden enganchar con las piezas en movimiento.
- g) **Siempre que sea posible utilizar equipos de aspiración o captación de polvo, asegúrese que éstos estén montados y que sean utilizados correctamente.** El empleo de estos equipos reduce los riesgos derivados del polvo.
- 4) CUIDADO Y UTILIZACIÓN DE HERRAMIENTAS ELÉCTRICAS**
- a) **No sobrecargue la herramienta. Use la herramienta prevista para el trabajo a realizar.** Con la herramienta adecuada podrá trabajar mejor y con mayor seguridad dentro del margen de potencia indicado.
- b) **No utilice herramientas con un interruptor defectuoso.** Las herramientas que no se puedan conectar o desconectar son peligrosas y deben repararse.
- c) **Saque el enchufe de la red y/o desmonte el acumulador antes de realizar un ajuste en la herramienta eléctrica, cambiar de accesorio o al guardar la herramienta eléctrica.** Esta medida preventiva reduce el riesgo de conectar accidentalmente la herramienta.
- d) **Guarde las herramientas fuera del alcance de los niños y de las personas que no estén familiarizadas con su uso.** Las herramientas utilizadas por personas inexpertas son peligrosas.
- e) **Cuide sus herramientas con esmero. Controle si funcionan correctamente, sin atascarse, las partes móviles de la herramienta, y si existen partes rotas o deterioradas que pudieran afectar al funcionamiento de la herramienta. Si la herramienta eléctrica estuviese defectuosa haga repararla antes de volver a utilizarla.** Muchos de los accidentes se deben a herramientas con un mantenimiento deficiente.
- f) **Mantenga los útiles limpios y afilados.** Los útiles mantenidos correctamente se dejan guiar y controlar mejor.

- g) **Utilice herramientas eléctricas, accesorios, útiles, etc. de acuerdo con estas instrucciones, teniendo en cuenta las condiciones de trabajo y la tarea a realizar.** El uso de herramientas eléctricas para trabajos diferentes de aquellos para los que han sido concebidas puede resultar peligroso.

#### 5) SERVICIO

- a) **Únicamente haga reparar su herramienta eléctrica por un profesional, empleando exclusivamente piezas de repuesto originales.** Solamente así se mantiene la seguridad de la herramienta eléctrica.

### INSTRUCCIONES DE SEGURIDAD PARA SIERRAS SABLE

#### ACCESORIOS

- SKIL únicamente puede garantizar un funcionamiento correcto de la herramienta al emplear accesorios originales
- Utilice únicamente accesorios cuyo límite de revoluciones permitido sea como mínimo igual a las revoluciones en vacío máximas de la herramienta

#### ANTES DEL USO

- Compruebe siempre que la tensión de alimentación es la misma que la indicada en la placa de características de la herramienta
- Evite los daños que puedan causar los tornillos, clavos y otros objetos sobre la pieza de trabajo; retírelos antes de empezar a trabajar

#### SEGURIDAD ELÉCTRICA

- Utilice cables de extensión seguros y completamente desenrollados con una capacidad de 16 amperios
- **Sujete la herramienta por las superficies de agarre aisladas cuando realice una operación en la que la herramienta de corte pueda hacer contacto con alambres ocultos o su propio cable de alimentación** (el contacto con un cable bajo tensión también conectará la corriente a la herramienta y dará una sacudida eléctrica al operario)
- **Utilice aparatos de detección adecuados para localizar posibles conductores o tuberías ocultas, o consulte a su compañía abastecedora** (el contacto con conductores eléctricos puede provocar una descarga eléctrica e incluso un incendio; al dañar una tubería de gas puede producirse una explosión; la perforación de una tubería de agua pueden causar daños materiales o una descarga eléctrica)

#### SEGURIDAD DE PERSONAS

- En el caso de que se produjera un mal funcionamiento eléctrico o mecánico, apague inmediatamente la herramienta y desconecte el enchufe
- Esta herramienta no debe utilizarse por personas menores de 16 años
- **No trabaje materiales que contengan amianto** (el amianto es cancerígeno)
- El polvo del material, como por ejemplo la pintura que contiene plomo, algunas especies de madera, minerales y metal podrían ser dañinos (el contacto o inhalación del polvo podría producir reacciones alérgicas y/o trastornos respiratorios al operador u otras personas cerca); **utilice una máscara contra el polvo y trabaje con un dispositivo de extracción de polvo cuando lo conecte**

- Ciertos tipos de polvo están catalogados como cancerígenos (por ejemplo el polvo de roble y de haya) especialmente junto con aditivos para el acondicionamiento de la madera; **utilice una máscara contra el polvo y trabaje con un dispositivo de extracción de polvo cuando lo conecte**
- Siga la normativa nacional en cuanto a extracción de polvo, en función de los materiales que vayan a ser utilizados
- **Mantenga las manos apartadas del área de corte y de la hoja; la mano auxiliar debe sujetar la empuñadura del tambor H ②** (si ambas manos están sujetando la sierra, no pueden ser cortadas por la hoja)
- **No meta la mano debajo de la pieza de trabajo** (usted no puede ver si la mano está cerca de la hoja)
- **No sujete nunca la pieza que esté cortando con las manos o sobre la pierna** (es importante soportar la pieza de trabajo correctamente para minimizar la exposición del cuerpo, el atasco de la hoja o la pérdida de control)
- **Utilice abrazaderas u otro equipo para asegurar y soportar la pieza de trabajo** (si la sujeta con la mano o contra su cuerpo, puede perder el control de la pieza de trabajo)
- **No utilice una hoja embotada o dañada** (las hojas dobladas se rompen fácilmente o provocan retroceso)
- **Mantenga las manos apartadas del área entre la carcasa de la herramienta y la abrazadera de la hoja D ②** (ésta puede atraparle los dedos) puede hacer que la herramienta u hoja se deslice, perdiendo el control sobre ella)
- **Asegúrese de que la abrazadera de la hoja D ② está apretada antes de cortar** (una abrazadera suelta)
- **Use guantes protectores para extraer la hoja de la herramienta** (la hoja de sierra puede estar caliente tras un uso prolongado)
- Utilice gafas de protección y protección para los oídos

## EXPLICACIÓN DE LOS SÍMBOLOS DE LA HERRAMIENTA

- ③ Lea el manual de instrucciones antes de utilizarla
- ④ Doble aislamiento (no requiere cable de tierra)
- ⑤ No deseche la herramienta junta con los residuos domésticos

## USO

- Encendido/apagado ⑥
- Control de velocidad  
Con la rueda puede regularse C ② la velocidad para serrar desde baja a alta (6 posiciones)
- Ajuste del número de carreras según el material usado ⑦  
**! si la herramienta no funciona con la rueda C ② en la posición 1, seleccione un número de carreras más alto y reduzca el número mientras la herramienta funciona**
- Montaje de la hoja de sierra ⑧  
**! desenchufar la herramienta**
  - presione la abrazadera de la hoja D hacia delante y manténgala en esa posición
  - inserte la hoja (con los dientes de sierra hacia abajo o hacia arriba) hasta el fondo
  - suelte la abrazadera de la hoja D

- tire de ella hasta que la abrazadera D encaje en una posición justa
- empuje la hoja hacia dentro y tire de ella para comprobar si está bloqueada
- ! asegúrese de que la abrazadera de la hoja D ② está apretada antes de cortar (una abrazadera suelta**
- ! asegúrese de que el extremo delantero de la hoja sobresale de la plataforma de pie E en toda su longitud de desplazamiento**
- Extracción de la hoja de sierra ⑨
  - presione la abrazadera de la hoja D hacia delante y manténgala en esa posición
  - tire de la hoja
  - suelte la abrazadera de la hoja D
- Plataforma de pie ajustable ⑩
  - la plataforma de pie E se inclina para mantener su superficie en contacto con la pieza de trabajo
  - ajuste la plataforma de pie sujetando la sierra con firmeza y girando la plataforma hasta la posición deseada
- Compartimento de almacenaje de hojas ⑪
  - asegúrese de que el compartimento de almacenaje F está cerrado para evitar que las hojas se caigan
- Utilización de la herramienta  
**! asegure la pieza de trabajo**
  - marque la línea de corte en la pieza de trabajo
  - seleccione la velocidad deseada para serrar mediante la rueda C ②
  - conecte la clavija a la fuente de alimentación (se enciende la luz B indicando que la herramienta está recibiendo corriente) ⑫
  - sujete la herramienta con una mano en la empuñadura G ② y la otra en la empuñadura del tambor aislada H ②
  - ponga en marcha la herramienta
- ! la herramienta debe funcionar a la velocidad máxima antes de que la hoja entre en la pieza de trabajo**
  - guíe la herramienta a lo largo de la línea de corte marcada
  - mantenga firme la plataforma de pie E ② contra la pieza de trabajo para reducir al mínimo la fuerza contraria y la vibración
- Sujeción y manejo de la herramienta  
**! durante el trabajo, sujete siempre la herramienta por la(s) zona(s) de empuñadura de color gris ⑬**
  - mantenga las ranuras de ventilación J ② descubiertas
  - no ejerza demasiada presión en la herramienta; deje que la herramienta haga su trabajo
- ! asegúrese de que la hoja de sierra sobresale del material cortado durante todo el desplazamiento ⑭**
- Ajuste de la profundidad efectiva de sierra ⑮
  - utilice ambos pernos de sujeción K para el deslizamiento de la base E hacia adelante/hacia atrás para prolongar/reducir la profundidad efectiva de sierra
- ! no intente ajustar la longitud efectiva de carrera con el tornillo L que va pre-ajustado de fábrica**

## CONSEJOS DE APLICACIÓN

- Corte inclinado <sup>(16)</sup>  
Los cortes inclinados se pueden realizar en madera y otros materiales blandos sin perforación previa
  - utilice una hoja de sierra gruesa
  - monte la hoja con los dientes hacia arriba
  - sujete la sierra al revés como se muestra
  - marque la línea de corte deseada en la pieza de trabajo
  - seleccione posición 1, 2 o 3 con la rueda C
  - incline la herramienta de manera que la hoja no toque la pieza de trabajo
  - encienda la herramienta e inserte con cuidado la hoja de sierra en movimiento en la pieza de trabajo
  - una vez que la hoja ha penetrado en la pieza de trabajo, continúe serrando a lo largo de la línea de corte marcada
- ! **no realice cortes inclinados en materiales metálicos**
- Utilice las hojas de sierra adecuadas <sup>(17)</sup>
- Al cortar metales, engrase la hoja de sierra regularmente con aceite
- Corte sin astillas
  - tape la línea de corte con varias capas de cinta de papel engomado ancho antes de cortar
  - ponga siempre el lado bueno de la pieza de trabajo hacia abajo
- Para más consejos vea [www.skil.com](http://www.skil.com)

## MANTENIMIENTO / SERVICIO

- Esta herramienta no está concebida para uso profesional
- Mantenga limpio el cable eléctrico y la herramienta (sobre todo las ranuras de ventilación J <sup>(2)</sup>)  
! **desenchufar la herramienta antes de limpiar**
- Si a pesar de los esmerados procesos de fabricación y control, la herramienta llegase a averiarse, la reparación deberá encargarse a un servicio técnico autorizado para herramientas eléctricas SKIL
  - envíe la herramienta **sin desmontar** junto con una prueba de su compra a su distribuidor o a la estación de servicio más cercana de SKIL (los nombres así como el despiece de piezas de la herramienta figuran en [www.skil.com](http://www.skil.com))

## AMBIENTE

- **No deseche las herramientas eléctricas, los accesorios y embalajes junto con los residuos domésticos** (sólo para países de la Unión Europea)
  - de conformidad con la Directiva Europea 2012/19/CE sobre residuos de aparatos eléctricos y electrónicos y su aplicación de acuerdo con la legislación nacional, las herramientas eléctricas cuya vida útil haya llegado a su fin se deberán recoger por separado y trasladar a una planta de reciclaje que cumpla con las exigencias ecológicas
  - símbolo <sup>(6)</sup> llamará su atención en caso de necesidad de tirarlas

## DECLARACIÓN DE CONFORMIDAD C E

Sierra sable 4900  
Datos técnicos <sup>(1)</sup>

- Declaramos bajo nuestra sola responsabilidad que el producto descrito bajo "Datos técnicos" está en conformidad con las normas o documentos normalizados siguientes: EN 60745, EN 61000, EN 55014, de acuerdo con las disposiciones en las directivas 2004/108/CE (hasta el 19.04.2016), 2014/30/EU (a partir del 20.04.2016), 2006/42/CE, 2011/65/UE
- **Expediente técnico en:** SKIL Europe BV (PT-SEU/ENG1), 4825 BD Breda, NL

Marijn van der Hoofden      Olaf Dijkgraaf  
Operations & Engineering      Approval Manager

SKIL Europe BV, 4825 BD Breda, NL

12.03.2015

## RUIDOS/VIBRACIONES

- Medido según EN 60745 el nivel de la presión acústica de esta herramienta se eleva a 90 dB(A) y el nivel de la potencia acústica a 101 dB(A) (desviación estándar: 3 dB), y la vibración a \* m/s<sup>2</sup> (suma vectorial de tres direcciones; incertidumbre K = 1,5 m/s<sup>2</sup>)
  - \* al cortar tableros de virutas 12,1 m/s<sup>2</sup>
  - \* al cortar vigas de madera 12,2 m/s<sup>2</sup>
- El nivel de emisión de vibraciones ha sido medido según una prueba estándar proporcionada en EN 60745; puede utilizarse para comparar una herramienta con otra y como valoración preliminar de la exposición a las vibraciones al utilizar la herramienta con las aplicaciones mencionadas
  - al utilizarla para distintas aplicaciones o con accesorios diferentes o con un mantenimiento deficiente, podría **aumentar** de forma notable el nivel de exposición
  - en las ocasiones en que se apaga la herramienta o cuando está funcionando pero no está realizando ningún trabajo, se podría **reducir** el nivel de exposición de forma importante
- ! **protéjase contra los efectos de la vibración realizando el mantenimiento de la herramienta y sus accesorios, manteniendo sus manos calientes y organizando sus patrones de trabajo**



P

Serra de sable

4900

## INTRODUÇÃO

- Esta ferramenta destina-se ao corte de madeira, plástico, metal e materiais de construção, assim como para desbaste e corte de árvores; é adequada para cortes curvos e direitos

- Esta ferramenta não se destina a utilização profissional
- Leia e guarde este manual de instruções ③

## DADOS TÉCNICOS ①

## ELEMENTOS DA FERRAMENTA ②

- A Interruptor para ligar/desligar
- B Indicador “Ligar”
- C Roda de selecção de velocidade
- D Gancho da lâmina
- E Plataforma ajustável
- F Compartimento de arrumação da lâmina
- G Pega
- H Punho do cano
- J Aberturas de ventilação
- K Porcas de fixação
- L Parafuso do suporte das lâminas

## SEGURANÇA

### INSTRUÇÕES GERAIS DE SEGURANÇA

**⚠ ATENÇÃO!** Devem ser lidas todas as indicações de advertência e todas as instruções. O desrespeito das advertências e instruções apresentadas abaixo pode causar choque eléctrico, incêndio e/ou graves lesões. **Guarde bem todas as advertências e instruções para futura referência.** O termo “ferramenta eléctrica” utilizado a seguir nas indicações de advertência, refere-se a ferramentas eléctricas operadas com corrente de rede (com cabo de rede) e a ferramentas eléctricas operadas com acumulador (sem cabo de rede).

#### 1) SEGURANÇA DA ÁREA DE TRABALHO

- a) **Mantenha a sua área de trabalho limpa e arrumada.** Desordem ou áreas de trabalho com fraca iluminação podem causar acidentes.
- b) **Não trabalhar com a ferramenta eléctrica em áreas com risco de explosão, nas quais se encontrem líquidos, gases ou pós inflamáveis.** Ferramentas eléctricas produzem faíscas que podem provocar a ignição de pó e vapores.
- c) **Mantenha crianças e outras pessoas afastadas da ferramenta eléctrica durante o trabalho com a ferramenta.** Distrações podem causar a falta de controle sobre o aparelho.

#### 2) SEGURANÇA ELÉCTRICA

- a) **A ficha da ferramentas eléctricas devem caber na tomada. A ficha não deve ser modificada de modo algum. Não utilize quaisquer fichas de adaptação junto com ferramentas eléctricas ligadas à terra.** Fichas sem modificações e tomadas adequadas reduzem o risco de choques eléctricos.
- b) **Evite que o corpo entre em contacto com superfícies ligadas à terra, como por exemplo tubos, radiadores, fogões e geladeiras.** Há um risco elevado de choques eléctricos, caso o corpo for ligado à terra.
- c) **A ferramenta eléctrica não deve ser exposta à chuva nem humidade.** A penetração de água na ferramenta eléctrica aumenta o risco de choques eléctricos.

- d) **O cabo do aparelho não deve ser utilizado para o transporte, para pendurar o aparelho, nem para puxar a ficha da tomada. Mantenha o cabo afastado de calor, óleo, cantos afiados ou partes em movimento do aparelho.** Cabos danificados ou torcidos aumentam o risco de choques eléctricos.
  - e) **Ao trabalhar com a ferramenta eléctrica ao ar livre, use um cabo de extensão apropriado para áreas externas.** O uso de um cabo apropriado para áreas externas reduz o risco de choques eléctricos.
  - f) **Se não for possível evitar o funcionamento da ferramenta eléctrica em áreas húmidas, deverá ser utilizado um disjuntor de corrente de avaria.** A utilização de um disjuntor de corrente de avaria reduz o risco de um choque eléctrico.
- ### 3) SEGURANÇA DE PESSOAS
- a) **Esteja alerta, observe o que está a fazer, e tenha prudência ao trabalhar com a a ferramenta eléctrica. Não use a ferramenta eléctrica se estiver fatigado ou sob a influência de drogas, álcool ou medicamentos.** Um momento de falta de atenção durante a operação da ferramenta eléctrica pode causar graves lesões.
  - b) **Utilizar equipamento de protecção pessoal e sempre óculos de protecção.** A utilização de equipamento de protecção pessoal, como máscara de protecção contra pó, sapatos de segurança antiderrapantes, capacete de segurança ou protecção auricular, de acordo com o tipo e aplicação da ferramenta eléctrica, reduz o risco de lesões.
  - c) **Evitar uma colocação em funcionamento involuntária. Assegure se de que a ferramenta eléctrica esteja desligada, antes de conectá-la à alimentação de rede e/ou ao acumulador, antes de levantá-la ou de transportá-la.** Se tiver o dedo no interruptor ao transportar a ferramenta eléctrica ou se o aparelho for conectado à alimentação de rede enquanto estiver ligado, poderão ocorrer acidentes.
  - d) **Remover chaves de ajustes ou chaves de fenda, antes de ligar a ferramenta eléctrica.** Uma chave de fenda ou chave de ajuste que se encontre numa parte móvel do aparelho, pode levar a lesões.
  - e) **Não se sobrestime. Mantenha uma posição firme e mantenha sempre o equilíbrio.** Desta forma poderá ser mais fácil controlar o aparelho em situações inesperadas.
  - f) **Use roupa apropriada. Não use roupa larga ou jóias. Mantenha o cabelo, roupa e luvas afastadas de partes em movimento.** Roupas largas, jóias ou cabelos longos podem ser agarradas por partes em movimento.
  - g) **Se for prevista a montagem de dispositivos de aspiração de pó e de dispositivos de recolha, assegure-se de que estão conectados e que sejam utilizados de forma correcta.** A utilização de uma aspiração de pó pode reduzir o perigo devido ao pó.
- ### 4) USO E TRATAMENTO DE FERRAMENTAS ELÉCTRICAS
- a) **Não sobrecarregue a ferramenta eléctrica. Use para o seu trabalho a ferramenta eléctrica correcta.** A ferramenta correcta realizará o trabalho de forma melhor e mais segura dentro da faixa de potência indicada.

- b) **Não utilize a ferramenta eléctrica se o interruptor não puder ser ligado nem desligado.** Qualquer ferramenta eléctrica que não possa ser controlada através do interruptor de ligar-desligar, é perigosa e deve ser reparada.
- c) **Puxar a ficha da tomada e/ou remover o acumulador antes de executar ajustes na ferramenta, de substituir acessórios ou de guardar a ferramenta.** Esta medida de segurança evita que a ferramenta eléctrica seja ligada acidentalmente.
- d) **Guarde ferramentas eléctricas que não estiverem sendo utilizadas, for a do alcance de crianças. Não permita que o aparelho seja utilizado por pessoas não familiarizadas com o mesmo ou que não tenham lido estas instruções.** Ferramentas eléctricas são perigosas nas mãos de pessoas sem treinamento.
- e) **Trate a sua ferramenta eléctrica com cuidado. Verifique se as partes móveis do aparelho funcionam perfeitamente e não emperram, se há peças quebradas ou danificadas, que possam influenciar o funcionamento do aparelho. Peças danificadas devem ser reparadas antes da utilização do aparelho.** Muitos acidentes tem como causa uma manutenção insuficiente das ferramentas eléctricas.
- f) **Mantenha as ferramentas de corte sempre afiadas e limpas.** Ferramentas de cortes devidamente tratadas, com cantos afiados travam com menos frequência e podem ser controladas com maior facilidade.
- g) **Use a ferramenta eléctrica, os acessórios os bits da ferramenta etc., de acordo com estas instruções. Considere também as condições de trabalho e o trabalho a ser efectuado.** A utilização da ferramenta eléctrica para outros fins que os previstos, pode resultar em situações perigosas.

## 5) SERVIÇO

- a) **A sua ferramenta eléctrica só deve ser reparada por pessoal qualificado e só devem ser colocadas peças sobressalentes originais.** Desta forma é assegurada a segurança da ferramenta eléctrica.

## INSTRUÇÕES DE SEGURANÇA PARA SERRAS DE SABRE

### ACESSÓRIOS

- A SKIL só pode garantir um funcionamento perfeito da ferramenta, quando utilizada com os acessórios originais
- Utilize apenas acessórios com um número de rotação admissível no mínimo tão alto como o mais alto número de rotação em vazio da ferramenta

### ANTES DA UTILIZAÇÃO

- Certifique-se sempre de que a tensão de alimentação está de acordo com a tensão indicada na placa de identificação da ferramenta
- Evite danificar a ferramenta em superfícies com pregos ou parafusos; remova-os antes de começar a trabalhar

### SEGURANÇA ELÉCTRICA

- Utilize extensões completamente desenroladas e seguras, com uma capacidade de 16 Amp
- **Segure a ferramenta pelas pegas isoladas quando estiver a executar uma operação em que a ferramenta de corte possa tocar em fios ocultos ou cortar o seu próprio fio** (o contacto com um fio

condutor de corrente fará com que as partes metálicas expostas da ferramenta passem elas próprias a conduzir corrente e o operador apanhe um choque)

- **Utilizar detectores apropriados para detectar tubos e cabos de alimentação escondidos, ou consulte a firma de alimentação local** (o contacto com um cabo eléctrico pode levar a incêndio e choque eléctrico; a danificação de um cano de gás pode levar à explosão; a penetração de uma tubulação de água provoca danos materiais ou pode provocar um choque eléctrico)

### SEGURANÇA DE PESSOAS

- Em caso de anomalias eléctricas ou mecânicas, desligue imediatamente a ferramenta e tire a ficha da tomada
- Esta ferramenta não deve ser utilizada por pessoas menores de 16 anos
- **Não processar material que contenha asbesto** (asbesto é considerado como sendo cancerígeno)
- O pó do material, como tinta com chumbo, algumas espécies de madeira, minerais e metais, pode ser prejudicial (contacto ou inalação do pó pode provocar reacções alérgicas e/ou doenças respiratórias ao operador ou às pessoas presentes); **use máscara respiratória e trabalhe com um dispositivo de extracção de pó quando ligado a**
- Determinados tipos de pó são classificados como substâncias cancerígenas (como pó de carvalho e faia), em especial, juntamente com aditivos para acondicionamento da madeira; **use máscara respiratória e trabalhe com um dispositivo de extracção de pó quando ligado a**
- Siga o regulamento nacional quanto a extração de pó, em função dos materiais que vão ser utilizados
- **Mantenha as mãos afastadas da zona de corte e da lâmina; mantenha a outra mão no punho do cano H** ② (se ambas as mãos estiverem a segurar a serra, não poderá cortá-las com a lâmina)
- **Não coloque a mão por baixo da peça de trabalho** (a distância da lâmina em relação à sua mão não é visível)
- **Nunca segure a peça a cortar com as mãos nem a coloque sobre as pernas** (é importante apoiar devidamente a peça de trabalho de forma a minimizar o perigo para o corpo, a possibilidade de a lâmina prender ou de perder o controlo da ferramenta)
- **Utilize ganchos ou outro equipamento para fixar e apoiar a peça a trabalhar** (se segurar a peça na sua mão ou contra o seu corpo, poderá perder o controlo)
- **Não use uma lâmina que esteja cega ou danificada** (as lâminas torcidas podem partir-se facilmente ou provocar ricochete)
- **Mantenha as mãos afastadas entre a caixa da ferramenta e o gancho da lâmina D** ② (o gancho da lâmina pode apertar os dedos)
- **Verifique que o gancho da lâmina D** ② está apertado antes de efectuar um corte (um gancho mal fechado pode fazer com que a ferramenta ou a lâmina escorregue e resultar na perda de controlo)
- **Utilize luvas de protecção para remover a lâmina da ferramenta** (a lâmina da serra pode estar quente após uma utilização prolongada)
- Use óculos de protecção e protectores para os ouvidos

## EXPLICAÇÃO DOS SÍMBOLOS DA FERRAMENTA

- ③ Leia o manual de instruções antes de utilizar o equipamento
- ④ Isolamento duplo (nenhum fio de terra necessário)
- ⑤ Não deite a ferramenta no lixo doméstico

## MANUSEAMENTO

- Ligar/desligar ⑥
- Controle de velocidade  
Com a roda C ②, a velocidade de corte pode ser ajustada de baixa a alta (6 posições)
- Ajustar o número de cursos consoante o material ⑦
  - ! **se a ferramenta não funcionar com a roda C ② na posição 1, selecione um número de cursos mais alto e baixe o número de cursos com a ferramenta a funcionar**
- Montagem da lâmina da serra ⑧
  - ! **desligar da fonte de corrente**
  - prima o gancho da lâmina D para a frente e mantenha-a nesta posição
  - insira a lâmina (com os dentes virados para cima ou para baixo) completamente
  - solte o gancho da lâmina D
  - remova a lâmina até o gancho D fazer clique numa posição quadrada
  - empurre para dentro e puxe para fora a lâmina para verificar que está correcta bloqueada
  - ! **verifique que o gancho da lâmina D ② está apertado antes de efectuar um corte (um gancho mal fechado pode fazer com que a ferramenta ou a lâmina escorregue e resultar na perda de controlo)**
  - ! **verifique que a ponta da frente da lâmina se estende ao longo da plataforma E em todo o comprimento do curso**
- Remoção da lâmina da serra ⑨
  - prima o gancho da lâmina D para a frente e mantenha-a nesta posição
  - remova a lâmina
  - solte o gancho da lâmina D
- Plataforma regulável ⑩
  - a plataforma E pode ser inclinada para manter a respectiva superfície com o máximo contacto com a peça a trabalhar
  - regule a plataforma segurando firmemente a serra e rodando a plataforma para a posição desejada
- Compartimento de arrumação da lâmina ⑪
  - verifique que o compartimento de arrumação F está fechado para evitar a queda de lâminas
- Utilização da ferramenta
  - ! **fixe firmemente a peça a trabalhar**
  - marque a linha de corte na peça
  - selecione a velocidade de corte pretendida com a roda C ②
  - ligue a ficha à fonte de alimentação (a luz B liga-se para indicar que a ferramenta está a receber energia) ⑫
  - segure a ferramenta com uma mão na pega G ② e a outra no punho do cano H ②
  - ligue a ferramenta
  - ! **a ferramenta deve funcionar à máxima velocidade antes da lâmina entrar na peça**

- oriente a ferramenta ao longo da linha de corte marcada
- mantenha a plataforma E ② com firmeza contra a peça para minimizar a força de resistência e as vibrações
- Segurar e guiar a ferramenta
  - ! **durante o trabalho, segure sempre a ferramenta na(s) área(s) de fixação cinzenta(s) ⑬**
  - mantenha as aberturas de ventilação J ② destapadas (não exerça demasiada pressão na ferramenta; deixe a ferramenta trabalhar espontaneamente)
  - ! **verifique que a lâmina da serra se estende além da peça através do curso ⑭**
- Ajustar a profundidade efectiva de corte ⑮
  - utilize as duas porcas de fixação K para deslizar a placa de pé E para a frente/para trás para ampliar/reduzir a profundidade efectiva de corte
  - ! **não tente ajustar o comprimento do curso efectivo com o parafuso L que foi predefinido na fábrica**

## CONSELHOS DE APLICAÇÃO

- Corte na vertical ⑯
  - Os cortes na vertical podem ser feitos na madeira e outros materiais moles sem pré-furar um buraco
  - utilize uma lâmina de serra fina
  - monte a lâmina com os dentes virados para cima
  - segure a serra invertida como ilustrado
  - marque a linha de corte pretendida na peça
  - selecione a posição 1, 2 ou 3 com a roda C
  - incline a ferramenta para que a lâmina não toque na peça
  - ligue a ferramenta e insira a lâmina da serra em movimento na peça a trabalhar
  - quando a lâmina tiver penetrado através da peça, continue a serra ao longo da linha de corte marcada
  - ! **não faça cortes na vertical em materiais metálicos**
- Utilize as lâminas apropriadas ⑰
- Ao cortar metais, lubrifique a lâmina regularmente com óleo adequado
- Cortar sem aparas
  - cubra a linha de corte com várias camadas de fita adesiva larga antes de começar a cortar
  - coloque sempre a peça a trabalhar com a face virada para baixo
- Para mais sugestões consulte [www.skil.com](http://www.skil.com)

## MANUTENÇÃO / SERVIÇO

- Esta ferramenta não se destina a utilização profissional
- Mantenha a ferramenta e o fio sempre limpos (especialmente as ranhuras de respiração J ②)
  - ! **desligar a ferramenta da fonte de corrente antes de limpar**
- Se a ferramenta falhar apesar de cuidadosos processos de fabricação e de teste, a reparação deverá ser executada por uma oficina de serviço autorizada para ferramentas eléctricas SKIL
  - envie a ferramenta **sem desmontar**, juntamente com a prova de compra, para o seu revendedor ou para o centro de assistência SKIL mais próximo (os endereços assim como a mapa de peças da ferramenta estão mencionados no [www.skil.com](http://www.skil.com))

## AMBIENTE

- **Não deite ferramentas eléctricas, acessórios e embalagem no lixo doméstico** (apenas para países da UE)
  - de acordo com a directiva europeia 2012/19/CE sobre ferramentas eléctricas e electrónicas usadas e a transposição para as leis nacionais, as ferramentas eléctricas usadas devem ser recolhidas em separado e encaminhadas a uma instalação de reciclagem dos materiais ecológica
  - símbolo ⑤ lhe avisará em caso de necessidade de arranja-las

## DECLARAÇÃO DE CONFORMIDADE CE

### Serra de sabre 4900

#### Dados técnicos ①

- Declaramos sob nossa exclusiva responsabilidade que o produto descrito em "Dados técnicos" cumpre as seguintes normas ou documentos normativos: EN 60745, EN 61000, EN 55014, conforme as disposições das directivas 2004/108/CE (até 19.04.2016), 2014/30/EU (a partir de 20.04.2016), 2006/42/CE, 2011/65/UE
- **Processo técnico em:** SKIL Europe BV (PT-SEU/EN G1), 4825 BD Breda, NL

Marijn van der Hoofden  
Operations & Engineering

Olaf Dijkgraaf  
Approval Manager

SKIL Europe BV, 4825 BD Breda, NL

12.03.2015

## RUÍDO/VIBRAÇÕES

- Medido segundo EN 60745 o nível de pressão acústica desta ferramenta é 90 dB(A) e o nível de potência acústica 101 dB(A) (espaço de erro: 3 dB), e a vibração \* m/s<sup>2</sup> (soma de vectores de três direcções; incerteza K = 1,5 m/s<sup>2</sup>)
    - \* ao cortar placas de acepilladuras 12,1 m/s<sup>2</sup>
    - \* ao cortar vigas de madeira 12,2 m/s<sup>2</sup>
  - O nível de emissão de vibrações foi medido de acordo com um teste normalizado fornecido na EN 60745; pode ser utilizado para comparar uma ferramenta com outra e como uma avaliação preliminar de exposição à vibração quando utilizar a ferramenta para as aplicações mencionadas
    - utilizar a ferramenta para diferentes aplicações ou com acessórios diferentes ou mantidos deficientemente, pode **umentar** significativamente o nível de exposição
    - o número de vezes que a ferramenta é desligada ou quando estiver a trabalhar sem fazer nada, pode **reduzir** significativamente o nível de exposição
- ! proteja-se contra os efeitos da vibração, mantendo a ferramenta e os acessórios, mantendo as mãos quentes e organizando os padrões de trabalho**

I

## Sega a gattuccio

4900

## INTRODUZIONE

- Questo utensile è previsto per il taglio di legno, plastica, metalli e materiali da costruzione, nonché per la potatura e rifinitura di alberi; è inoltre adatto a tagli dritti e curvi
- Questo utensile non è inteso per un uso professionale
- Leggete e conservate questo manuale di istruzione ③

## DATI TECNICI ①

## ELEMENTI UTENSILE ②

- A Interruttore di acceso/spento
- B Indicatore di accensione
- C Rotella selezione velocità
- D Ferma lama
- E Guida regolabile
- F Comparto porta lame
- G Impugnatura
- H Impugnatura sul corpo
- J Feritoie di ventilazione
- K Bulloni di fissaggio
- L Vite ferma lama

## SICUREZZA

### ISTRUZIONI GENERALI DI SICUREZZA

**⚠ ATTENZIONE! Leggere tutte le avvertenze di pericolo e le istruzioni operative.** In caso di mancato rispetto delle avvertenze di pericolo e delle istruzioni operative si potrà creare il pericolo di scosse elettriche, incendi e/o incidenti gravi. **Conservare tutte le avvertenze di pericolo e le istruzioni operative per ogni esigenza futura.** Il termine "elettrotensile" utilizzato nelle avvertenze di pericolo si riferisce ad utensili elettrici alimentati dalla rete (con linea di allacciamento) ed ad utensili elettrici alimentati a batteria (senza linea di allacciamento).

#### 1) SICUREZZA DELLA POSTAZIONE DI LAVORO

- a) **Mantenere pulito ed ordinato il posto di lavoro.** Il disordine o le zone di lavoro non illuminate possono essere fonte di incidenti.
- b) **Evitare d'impiegare l'utensile in ambienti soggetti al rischio di esplosioni nei quali si trovino liquidi, gas o polveri infiammabili.** Gli utensili elettrici producono scintille che possono far infiammare la polvere o i gas.
- c) **Mantenere lontani i bambini ed altre persone durante l'impiego dell'utensile elettrico.** Eventuali distrazioni potranno comportare la perdita del controllo sull'utensile.

#### 2) SICUREZZA ELETTRICA

- a) **La spina per la presa di corrente dovrà essere adatta alla presa. Evitare assolutamente di apportare modifiche alla spina. Non impiegare spine adattatrici assieme ad utensili con collegamento a terra.** Le spine non modificate e le prese adatte allo scopo riducono il rischio di scosse elettriche.



- b) **Evitare il contatto fisico con superfici collegate a terra, come tubi, riscaldamenti, cucine elettriche e frigoriferi.** Sussiste un maggior rischio di scosse elettriche nel momento in cui il corpo è messo a massa.
- c) **Custodire l'utensile al riparo dalla pioggia o dall'umidità.** L'eventuale infiltrazione di acqua in un utensile elettrico va ad aumentare il rischio d'insorgenza di scosse elettriche.
- d) **Non usare il cavo per scopi diversi da quelli previsti al fine di trasportare o appendere l'utensile, oppure di togliere la spina dalla presa di corrente. Mantenere l'utensile al riparo da fonti di calore, dall'olio, dagli spigoli o da pezzi in movimento.** I cavi danneggiati o aggrovigliati aumentano il rischio d'insorgenza di scosse elettriche.
- e) **Qualora si voglia usare l'utensile all'aperto, impiegare solo ed esclusivamente cavi di prolunga omologati per l'impiego all'esterno.** L'uso di un cavo di prolunga omologato per l'impiego all'esterno riduce il rischio d'insorgenza di scosse elettriche.
- f) **Qualora non fosse possibile evitare di utilizzare l'utensile in ambiente umido, utilizzare un interruttore di messa a terra.** L'uso di un interruttore di messa a terra riduce il rischio di una scossa elettrica.

### 3) SICUREZZA DELLE PERSONE

- a) **È importante concentrarsi su ciò che si sta facendo e a maneggiare con giudizio l'utensile durante le operazioni di lavoro. Non utilizzare l'utensile in caso di stanchezza o sotto l'effetto di droghe, bevande alcoliche e medicinali.** Un attimo di distrazione durante l'uso dell'utensile potrà causare lesioni gravi.
- b) **Indossare sempre equipaggiamento protettivo individuale. Usare sempre protezioni per gli occhi.** Se si avrà cura d'indossare equipaggiamento protettivo individuale come la maschera antipolvere, la calzatura antidirucioleovole di sicurezza, il casco protettivo o la protezione dell'udito, a seconda dell'impiego previsto per l'utensile elettrico, si potrà ridurre il rischio di ferite.
- c) **Evitare l'accensione involontaria dell'utensile. Prima di collegarlo alla rete di alimentazione elettrica e/o alla batteria ricaricabile, prima di prenderlo oppure prima di iniziare a trasportarlo, assicurarsi che l'utensile sia spento.** Tenendo il dito sopra l'interruttore mentre si trasporta l'utensile oppure collegandolo all'alimentazione di corrente con l'interruttore inserito, si vengono a creare situazioni pericolose in cui possono verificarsi seri incidenti.
- d) **Togliere gli attrezzi di regolazione o la chiave inglese prima di accendere l'utensile.** Un utensile o una chiave inglese che si trovino in una parte dell'utensile in rotazione potranno causare lesioni.
- e) **È importante non sopravvalutarsi. Avere cura di mettersi in posizione sicura e di mantenere l'equilibrio.** In tale maniera sarà possibile controllare meglio l'utensile in situazioni inaspettate.
- f) **Indossare vestiti adeguati. Evitare di indossare vestiti lenti o gioielli. Tenere i capelli, i vestiti ed i guanti lontani da pezzi in movimento.** Vestiti lenti, gioielli o capelli lunghi potranno impigliarsi in pezzi in movimento.
- g) **Se sussiste la possibilità di montare dispositivi di aspirazione o di captazione della polvere,**

**assicurarsi che gli stessi siano stati installati correttamente e vengano utilizzati senza errori.**

L'utilizzo di un'aspirazione polvere può ridurre lo svilupparsi di situazioni pericolose dovute alla polvere.

### 4) MANEGGIO ED IMPIEGO ACCURATO DI UTENSILI ELETTRICI

- a) **Non sovraccaricare l'utensile. Impiegare l'utensile elettrico adatto per sbrigare il lavoro.** Utilizzando l'utensile elettrico adatto si potrà lavorare meglio e con maggior sicurezza nell'ambito della gamma di potenza indicata.
- b) **Non utilizzare utensili elettrici con interruttori difettosi.** Un utensile elettrico che non si può più accendere o spegnere è pericoloso e dovrà essere riparato.
- c) **Prima di procedere ad operazioni di regolazione sull'utensile, prima di sostituire parti accessorie oppure prima di posare l'utensile al termine di un lavoro, estrarre sempre la spina dalla presa della corrente e/o estrarre la batteria ricaricabile.** Tale precauzione eviterà che l'utensile possa essere messo in funzione inavvertitamente.
- d) **Custodire gli utensili elettrici non utilizzati al di fuori della portata dei bambini. Non fare usare l'utensile a persone che non sono abituate ad usarlo o che non abbiano letto le presenti istruzioni.** Gli utensili elettrici sono pericolosi se utilizzati da persone inesperte.
- e) **Effettuare accuratamente la manutenzione dell'utensile. Verificare che le parti mobili dell'utensile funzionino perfettamente e non s'incepino, che non ci siano pezzi rotti o danneggiati al punto tale da limitare la funzione dell'utensile stesso. Far riparare le parti danneggiate prima d'impiegare l'utensile.** Numerosi incidenti vengono causati da utensili elettrici la cui manutenzione è stata effettuata poco accuratamente.
- f) **Mantenere affilati e puliti gli utensili da taglio.** Gli utensili da taglio curati con particolare attenzione e con taglianti affilati s'incepiscono meno frequentemente e sono più facili da condurre.
- g) **Utilizzare utensili elettrici, accessori, attrezzi, ecc. in conformità con le presenti istruzioni. Osservare le condizioni di lavoro ed il lavoro da eseguirsi durante l'impiego.** L'impiego di utensili elettrici per usi diversi da quelli consentiti potrà dar luogo a situazioni di pericolo.

### 5) ASSISTENZA

- a) **Fare riparare l'utensile solo ed esclusivamente da personale specializzato e solo impiegando pezzi di ricambio originali.** In tale maniera potrà essere salvaguardata la sicurezza dell'utensile.

### ISTRUZIONI DI SICUREZZA PER SEGE A GATTUCCIO

#### ACCESSORI

- La SKIL garantisce un perfetto funzionamento dell'utensile soltanto se vengono utilizzati accessori originali
- Utilizzate solo accessori il cui numero massimo di giri corrisponda almeno al massimo dei numeri di giri dell'utensile

## PRIMA DELL'USO

- Controllare che la tensione dell'alimentazione sia la stessa di quella indicata sulla targhetta dell'utensile
- Evitare possibili danneggiamenti da viti e chiodi sporgenti; rimuoverli prima di iniziare la lavorazione

## SIUREZZA ELETTRICA

- Usare cavi di prolunga completamente srotolati e sicure con una capacità di 16 Amp
- **Tenere l'utensile con delle superfici di serraggio isolate durante un operazione in cui l'utensile di taglio possa toccare dei cavi nascosti oppure il proprio cavo** (contatto con un cavo "sotto tensione" con parti metalliche esposte dell'utensile rende queste ultime anche "sotto tensione" causando una scossa elettrica all'operatore)
- **Al fine di rilevare possibili linee di alimentazione nascoste, utilizzare adatte apparecchiature di ricerca oppure rivolgersi alla locale società erogatrice** (un contatto con linee elettriche può provocare lo sviluppo di incendi e di scosse elettriche; danneggiando linee del gas si può creare il pericolo di esplosioni; penetrando una tubazione dell'acqua si provocano seri danni materiali oppure vi è il pericolo di provocare una scossa elettrica)

## SIUREZZA DELLE PERSONE

- Nel caso di cattivo funzionamento elettrico o meccanico, spegnete subito l'utensile e staccate la spina
- Questo utensile non dev'essere utilizzato da persone di età inferiore ai 16 anni
- **Non lavorare mai materiali contenenti amianto** (l'amianto è ritenuto materiale cancerogeno)
- Le polveri di materiali come vernici contenenti piombo, alcune specie di legno, minerali e metallo possono essere nocive (il contatto con queste polveri o la loro inalazione possono causare reazioni allergiche e/o disturbi respiratori all'operatore o ad altre persone presenti sul posto); **indossare una maschera protettiva per la polvere e utilizzare un dispositivo per l'estrazione della polvere se è presente una presa di collegamento**
- Alcuni tipi di polvere sono classificati come cancerogeni (quali le polveri di quercia e faggio) specialmente se associate ad additivi per il trattamento del legno; **indossare una maschera protettiva per la polvere e utilizzare un dispositivo per l'estrazione della polvere se è presente una presa di collegamento**
- Rispettare le istruzioni nazionali riguardanti l'estrazione della polvere per i materiali in lavorazione
- **Tenere le mani distanti dall'area di taglio e dalla lama; stringere con l'altra mano l'impugnatura sul corpo H** ② (se entrambe le mani sono impegnate a mantenere la sega, non possono essere tagliate dalla lama)
- **Non mettere le mani sotto il pezzo di lavorazione** (la prossimità della lama alla mano non risulta visibile)
- **Non tenere il pezzo da tagliare con le mani oppure sulle gambe** (è importante si sostenere il pezzo di lavorazione correttamente in modo da ridurre al minimo l'esposizione del corpo, legatura della lama o perdita di controllo)
- **Utilizzare morsetti o altre attrezzature per fissare e sostenere il pezzo di lavorazione** (tenere il pezzo in lavorazione in mano o stretto al corpo può far perdere il controllo dell'utensile)

- **Non utilizzare una lama smussata o danneggiata** (una lama piegata può rompersi facilmente o causare contraccolpi)
  - **Tenere le mani lontane dall'area compresa tra il corpo dell'utensile e il ferma lama D** ② (il ferma lama può schiacciare le dita)
  - **Verificare che il ferma lama D** ② sia ben serrato prima di eseguire un taglio (l'allentamento del blocco potrebbe causare lo scivolamento della lama e di conseguenza la perdita di controllo dell'utensile)
  - **Utilizzare guanti protettivi per rimuovere la lama dall'utensile** (dopo un uso prolungato la lama potrebbe essersi riscaldata)
  - Portare occhiali di protezione e protezione dell'udito
- ## SPIEGAZIONE DEI SIMBOLI PRESENTI SULL'UTENSILE
- ③ Leggere il manuale di istruzioni prima dell'uso
  - ④ Doppio isolamento (non è necessario alcun cavo di terra)
  - ⑤ Non gettare l'utensile tra i rifiuti domestici

## USO

- Acceso/spento ⑥
- Controllo della velocità  
Mediante la rotella C ② la velocità di taglio può essere regolata da bassa ad elevata (6 posizioni)
- Regolazione del numero di corse in base al materiale utilizzato ⑦
- ! **se l'utensile non funziona con la rotella C ② in posizione 1, selezionare un numero di corse più alto ed in seguito diminuire il numero di corse mentre l'utensile è in moto**
- Montaggio della lama da sega ⑧
- ! **estrarre la spina dalla presa**
  - spingere il ferma lama D in avanti e mantenerlo in questa posizione
  - inserire la lama (con i denti rivolti verso il basso o verso l'alto) alla sua piena profondità
  - rilasciare il ferma lama D
  - estrarre un po' la lama, fino a che il ferma D non si blocchi, con un clic, in una posizione fissa
  - provare a spingere e ad estrarre la lama per verificare che sia bloccata correttamente
- ! **verificare che il ferma lama D ② sia ben serrato prima di eseguire un taglio (l'allentamento del blocco potrebbe causare lo scivolamento della lama e di conseguenza la perdita di controllo dell'utensile)**
- ! **controllare che l'estremità anteriore della lama fuoriesca dalla guida E per l'intera corsa della lama**
- Rimozione della lama da sega ⑨
  - spingere il ferma lama D in avanti e mantenerlo in questa posizione
  - estrarre la lama
  - rilasciare il ferma lama D
- Guida regolabile ⑩
  - la guida E è inclinabile in modo da consentire il contatto più completo possibile della sua superficie con il pezzo da lavorare
  - regolare la guida tenendo saldamente il seghetto e spostando la guida nella posizione desiderata

- Comparto porta lame ⑪
  - accertarsi che il comparto porta lame F sia ben chiuso per impedire che le lame fuoriescano
- Uso dell'utensile
  - !  **fissare saldamente il pezzo da lavorare**
  - marcare la linea di taglio sul pezzo
  - selezionare la velocità di taglio desiderata mediante la rotella C ②
  - connettere la spina d'alimentazione ad una fonte d'energia (la spia B si accende per indicare che l'utensile è sotto tensione) ⑫
  - tenere l'utensile con una mano sull'impugnatura G ② e l'altra mano stretta intorno all'impugnatura isolata sul corpo H ②
  - accendete l'utensile
  - !  **l'utensile dovrebbe raggiungere la massima velocità prima della penetrazione della lama nel pezzo da lavorare**
  - guidare l'utensile lungo la linea di taglio marcata
  - tenere la guida E ② saldamente poggiata sul pezzo per ridurre al minimo contraccolpi e vibrazioni
- Tenuta e guida dell'utensile
  - !  **durante la lavorazione, impugna l'utensile sempre in corrispondenza della(e) area(e) grigia(e) ⑬**
  - tenere scoperte le feritoie di ventilazione J ②
  - non applicate una pressione eccessiva all'utensile; lasciate che sia l'utensile a lavorare per voi
  - !  **accertarsi che la lama sporga dal pezzo in lavorazione attraverso il taglio ⑭**
- Regolare la profondità effettiva di taglio ⑮
  - utilizzare entrambe le bulloni di fissaggio K per far scorrere la piastra inferiore E in avanti/all'indietro, al fine di allungare/ridurre l'effettiva profondità di taglio
  - !  **non tentare di regolare l'effettiva lunghezza della battuta mediante le vite L che viene preregolata al momento della fabbricazione**

## CONSIGLIO PRATICO

- Penetrazione e taglio ⑯
  - La lavorazione penetrazione e taglio può essere svolta su legno o altri materiali teneri senza necessità di praticare preventivamente un foro
  - utilizzare una lama spessa
  - montare la lama con i denti rivolti verso l'alto
  - tenere il seghetto rovesciato come indicato
  - marcare la linea di taglio sul pezzo
  - selezionare la posizione 1, 2 o 3 mediante la rotella C
  - inclinare l'utensile per impedire alla lama di toccare il pezzo da lavorare
  - accendere l'utensile e far penetrare, usando la massima attenzione, la lama ora in funzione nel pezzo
  - dopo la penetrazione della lama nel pezzo, continuare a tagliare lungo la linea di taglio precedentemente marcata
  - !  **non eseguire lavorazioni penetrazione e taglio su metalli**
- Usare le lame appropriate ⑰
- Quando si tagliano metalli, lubrificare la lama regolarmente con olio
- Taglio senza schegge
  - coprire la linea di taglio con più strati di nastro largo prima di tagliare

- posizionare sempre la parte più rifinita del pezzo in lavorazione verso il basso
- Per altri consigli consultare il sito [www.skil.com](http://www.skil.com)

## MANUTENZIONE / ASSISTENZA

- Questo utensile non è inteso per un uso professionale
- Tenete sempre puliti utensile e cavo (soprattutto le feritoie di ventilazione J ②)
  - !  **prima di pulire estrarre la spina dalla presa**
- Se nonostante gli accurati procedimenti di produzione e di controllo l'utensile dovesse guastarsi, la riparazione va fatta effettuare da un punto di assistenza autorizzato per gli elettrotensili SKIL
  - inviare l'utensile  **non smontato** assieme alle prove di acquisto al rivenditore oppure al più vicino centro assistenza SKIL (l'indirizzo ed il disegno delle parti di ricambio dell'utensile sono riportati su [www.skil.com](http://www.skil.com))

## TUTELA DELL'AMBIENTE

- **Non gettare l'utensile elettrico, gli accessori e l'imballaggio tra i rifiuti domestici** (solo per paesi UE)
  - secondo la Direttiva Europea 2012/19/CE sui rifiuti di utensili elettrici ed elettronici e la sua attuazione in conformità alle norme nazionali, gli utensili elettrici esausti devono essere raccolti separatamente, al fine di essere reimpiegati in modo eco-compatibile
  - il simbolo ⑤ vi ricorderà questo fatto quando dovrete eliminarlo

## DICHIARAZIONE DEI CONFORMITÀ CE

### Sega a gattuccio 4900

#### Dati tecnici ①

- Assumendone la piena responsabilità, dichiariamo che il prodotto descritto nei "Dati tecnici" è conforme alle seguenti normative ed ai relativi documenti: EN 60745, EN 61000, EN 55014 in base alle prescrizioni delle direttive 2004/108/EG (fino al 19.04.2016), 2014/30/UE (a partire dal 20.04.2016), 2006/42/EG, 2011/65/UE
- **Fascicolo tecnico presso:** SKIL Europe BV (PT-SEU/ENG1), 4825 BD Breda, NL

Marijn van der Hoofden      Olaf Dijkgraaf  
Operations & Engineering      Approval Manager




SKIL Europe BV, 4825 BD Breda, NL

12.03.2015

## RUMOROSITÀ/VIBRAZIONE

- Misurato in conformità al EN 60745 il livello di pressione acustica di questo utensile è 90 dB(A) ed il livello di potenza acustica 101 dB(A) (deviazione standard: 3 dB), e la vibrazione \* m/s<sup>2</sup> (somma dei vettori in tre direzioni; incertezza K = 1,5 m/s<sup>2</sup>)
  - \* quando si tagliano truciolato 12,1 m/s<sup>2</sup>
  - \* quando si tagliano travi di legno 12,2 m/s<sup>2</sup>

- Il livello di emissione delle vibrazioni è stato misurato in conformità a un test standardizzato stabilito dalla norma EN 60745; questo valore può essere utilizzato per mettere a confronto un l'utensile con un altro o come valutazione preliminare di esposizione alla vibrazione quando si impiega l'utensile per le applicazioni menzionate
  - se si utilizza l'utensile per applicazioni diverse, oppure con accessori differenti o in scarse condizioni, il livello di esposizione potrebbe **umentare** notevolmente
  - i momenti in cui l'utensile è spento oppure è in funzione ma non viene effettivamente utilizzato per il lavoro, possono contribuire a **ridurre** il livello di esposizione
- ! **proteggersi dagli effetti della vibrazione effettuando la manutenzione dell'utensile e dei relativi accessori, mantenendo le mani calde e organizzando i metodi di lavoro**

H

**Ingafűrész**

**4900**

## BEVEZETÉS

- Ez a szerszám fa, műanyag, fém és egyéb építőanyagok vágására, valamint fametszésre és szélezésre; alkalmas, továbbá egyaránt használható egyenes és görbe vonalú fűrészeléshez
- Ez a szerszám nem professzionális használatra készült
- Olvassa el figyelmesen és őrizze meg a használati utasítást ③

## MŰSZAKI ADATOK ①

## SZERSZÁMGÉP ELEMEI ②

- A Be/ki kapcsológomb
- B Bekapcsolás jelző
- C Sebességszabályzó kerék
- D Fűrészlap rögzítő
- E Állítható talp
- F Fűrészlap tároló rekesz
- G Markolat
- H Elülső markolat
- J Szellőzőnyílások
- K Rögzítőcsavarok
- L Fűrészlap tartócsavar

## BIZTONSÁG

### ÁLTALÁNOS BIZTONSÁGI ELŐÍRÁSOK

**FIGYELEM!** Olvassa el az összes biztonsági figyelmeztetést és előírást. A következőkben leírt előírások betartásának elmulasztása áramütésekhez, tűzhöz és/vagy súlyos testi sérülésekhez vezethet. **Kérjük a későbbi használatra gondosan őrizze meg ezeket az előírásokat.** Az alább alkalmazott elektromos kéziszerszám fogalom a hálózati elektromos kéziszerszámokat (hálózati csatlakozó kábellel) és az akkumulátoros elektromos kéziszerszámokat (hálózati csatlakozó kábel nélkül) foglalja magában.

### 1) MUNKAHELYI BIZTONSÁG

- Tartsa tisztán és tartsa rendben a munkahelyét.** Rendetlen munkahelyek vagy megvilágítatlan munkaterületek balesetekhez vezethetnek.
- Ne dolgozzon az elektromos kéziszerszámmal olyan robbanásveszélyes környezetben, ahol éghető folyadékok, gázok vagy porok vannak.** Az elektromos kéziszerszámok szikrákat bocsáthatnak ki, amelyek meggyújthatják a port vagy a gőzöket.
- Tartsa távol a gyerekeket és az idegen személyeket a munkahelytől, ha az elektromos kéziszerszámot használja.** Ha elvonják a figyelmét a munkától, könnyen elvesztheti az uralmát a berendezés felett.

### 2) ELEKTROMOS BIZTONSÁGI ELŐÍRÁSOK

- A készülék csatlakozó dugójának bele kell illeszkednie a dugaszolóaljzatba. A csatlakozó dugót semmilyen módon sem szabad megváltoztatni. Védőföldeléssel ellátott készülékekkel kapcsolatban ne használjon csatlakozó adaptert.** A változtatás nélküli csatlakozó dugók és a megfelelő dugaszoló aljzatok csökkentik az áramütés kockázatát.
- Ne érjen hozzá földelt felületekhez, mint csövekhez, fűtőtestekhez, kályhákhoz és hűtőszekrényekhez.** Az áramütési veszély megnövekszik, ha a teste le van földelve.
- Tartsa távol az elektromos kéziszerszámot az esőtől és a nedvesség hatásaitól.** Ha víz hatol be egy elektromos kéziszerszámba, ez megnöveli az áramütés veszélyét.
- Ne használja a kábelt a rendeltetésétől eltérő célokra, vagyis a szerszámot soha ne hozdossa vagy akassza fel a kábelnél fogva, és soha ne húzza ki a hálózati csatlakozó dugót a kábelnél fogva. Tartsa távol a kábelt hőforrásoktól, olajtól, éles élektől, sarkaktól és mozgó gépkomponensektől.** Egy megrongálódott vagy csomókkal teli kábel megnöveli az áramütés veszélyét.
- Ha egy elektromos kéziszerszámmal a szabad ég alatt dolgozik, csak a szabadban való használatra engedélyezett hosszabbítót használjon.** A szabadban való használatra engedélyezett hosszabbító használatra csökkentik az áramütés veszélyét.
- Ha nem lehet elkerülni az elektromos kéziszerszám nedves környezetben való használatát, alkalmazzon egy földzárlat megszakítót.** Egy földzárlat megszakító alkalmazása csökkenti az áramütés kockázatát.

### 3) SZEMÉLYI BIZTONSÁGI ELŐÍRÁSOK

- Munka közben mindig figyeljen, ügyeljen arra, amit csinál, és meggondoltan dolgozzon az elektromos kéziszerszámmal. Ha fáradt, ha kábítószerek vagy alkohol hatása alatt áll, vagy orvosságokat vett be, ne használja a berendezést.** A berendezéssel végzett munka közben már egy pillanatnyi figyelmetlenség is komoly sérülésekhez vezethet.
- Viseljen személyi védőfelszerelést és mindig viseljen védőszemüveget.** A személyi védőfelszerelések, mint porvédő álarc, csúszásbiztos védőcipő, védősapka és fülvédő használatát az elektromos kéziszerszám használatát jellegének megfelelően csökkenti a személyes sérülések kockázatát.

- c) **Kerülje el a készülék akaratlan üzembe helyezését. Győződjön meg arról, hogy az elektromos kéziszerszám ki van kapcsolva, mielőtt bedugná a csatlakozó dugót a dugaszolóaljzatba, csatlakoztatná az akkumulátor-csomagot, és mielőtt felvenné és vinni kezdené az elektromos kéziszerszámot.** Ha az elektromos kéziszerszám felemelése közben az újját a kapcsolón tartja, vagy ha a készüléket bekapcsolt állapotban csatlakoztatja az áramforráshoz, ez balesetekhez vezethet.
- d) **Az elektromos kéziszerszám bekapcsolása előtt okvetlenül távolítsa el a beállító szerszámokat vagy csavarkulcsokat.** Az elektromos kéziszerszám forgó részeiben felejtett beállító szerszám vagy csavarkulcs sérüléseket okozhat.
- e) **Ne becsülje túl önmagát. Kerülje el a normálistól eltérő testtartást, ügyeljen arra, hogy mindig biztosan álljon és az egyensúlyát megtartsa.** Így az elektromos kéziszerszám felett váratlan helyzetekben is jobban tud uralkodni.
- f) **Viseljen megfelelő ruhát. Ne viseljen bő ruhát vagy ékszereket. Tartsa távol a haját, a ruháját és a kesztyűjét a mozgó részekről.** A bő ruhát, az ékszereket és a hosszú haját a mozgó alkatrészek magukkal ránthatják.
- g) **Ha az elektromos kéziszerszámra fel lehet szerelni a por elszívásához és összegyűjtéséhez szükséges berendezéseket, ellenőrizze, hogy azok megfelelő módon hozzá vannak kapcsolva a készülékhez és rendeltetésüknek megfelelően működnek.** A porgyűjtő berendezések használata csökkenti a munka során keletkező por veszélyes hatását.
- 4) AZ ELEKTROMOS KÉZISZERSZÁMOK GONDOS KEZELÉSE ÉS HASZNÁLATA**
- a) **Ne terhelje túl az elektromos kéziszerszámot. A munkájához csak az arra szolgáló elektromos kéziszerszámot használja.** Egy alkalmas elektromos kéziszerszámmal a megadott teljesítménytartományon belül jobban és biztonságosabban lehet dolgozni.
- b) **Ne használjon olyan elektromos kéziszerszámot, amelynek a kapcsolója elromlott.** Egy olyan elektromos kéziszerszám, amelyet nem lehet sem be-, sem kikapcsolni, veszélyes és meg kell javíttatni.
- c) **Húzza ki a csatlakozó dugót a dugaszolóaljzataból és/vagy az akkumulátor-csomagot az elektromos kéziszerszámból, mielőtt az elektromos kéziszerszámon beállítási munkákat végez, tartozékokat cserél vagy a szerszámot tárolásra elteszi.** Ez az elővigyázatossági intézkedés meggátolja a szerszám akaratlan üzembe helyezését.
- d) **A használaton kívüli elektromos kéziszerszámokat olyan helyen tárolja, ahol azokhoz gyerekek ne férhess nek hozzá. Ne hagyja, hogy olyan személyek használják az elektromos kéziszerszámot, akik nem ismerik a szerszámot, vagy nem olvasták el ezt az útmutatót.** Az elektromos kéziszerszámok veszélyesek, ha azokat gyakorlatlan személyek használják.
- e) **A készüléket gondosan ápolja. Ellenőrizze, hogy a mozgó alkatrészek kifogástalanul működnek-e, nincsenek-e beszorulva, és nincsenek-e eltörve vagy megrongálódva olyan alkatrészek, amelyek**

**hatással lehetnek az elektromos kéziszerszám működésére. A megrongálódott részeket a készülék használatá előtt javíttassa meg.** Sok olyan baleset történik, amelyet az elektromos kéziszerszám nem megfelelő karbantartására lehet visszavezetni.

- f) **Tartsa tisztán és éles állapotban a vágószerszámokat.** Az éles vágóélekkel rendelkező és gondosan ápolott vágószerszámok ritkábban ékelődnek be és azokat könnyebben lehet vezetni és irányítani.
- g) **Az elektromos kéziszerszámokat, tartozékokat, betétszerszámokat stb. csak ezen előírásoknak használja. Vegye figyelembe a munkafeltételeket és a kivitelezendő munka sajátosságait.** Az elektromos kéziszerszám eredeti rendeltetésétől eltérő célokra való alkalmazása veszélyes helyzetekhez vezethet.
- 5) SZERVIZ**
- a) **Az elektromos kéziszerszámot csak szakképzett személyzet és csak eredeti pótalkatrészek felhasználásával javíthatja.** Ez biztosítja, hogy az elektromos kéziszerszám biztonságos szerszám maradjon.

## BIZTONSÁGI ELŐÍRÁSOK INGAFÜRÉSZEK

### TARTOZÉKOK

- SKIL cég kizárólag eredeti alkatrészek és kiegészítők alkalmazása esetén tudja garantálni a gép problémamentes működését
- Csak olyan tartozékot használjon, amelyek legmagasabb megengedett fordulatszámja legalább akkora, mint a berendezés legmagasabb üresjáratú fordulatszámja

### HASZNÁLAT ELŐTT

- Mindig ellenőrizze, hogy a hálózati feszültség megegyezik-e a szerszám adattábláján feltüntetett értékkel
- Ügyeljen arra, hogy a munkadarabban lévő csavar, szög vagy hasonló sérüléseket ne okozhasson; a munka megkezdése előtt eltávolítandó

### ELEKTROMOS BIZTONSÁGI ELŐÍRÁSOK

- Használjon teljesen letekert és biztonságos hosszabbítókábel, 16 A-es teljesítménnyel
- **Tartsa a szerszámot a szigetelt markolatánál fogva olyan esetben, ahol esetleg a vágószerszám érintkezhet rejtett fémhuzallal vagy a saját kábelével a forgácsolás közben** (a szerszám fém részei védtelenné válnak az "éles" vezetékkel történő érintkezés során, és ennek következtében a szerszám kezelőjét áramütés érheti)
- **A rejtett vezetékek felkutatásához használjon alkalmas fémmerevítő készüléket, vagy kérje ki a helyi energiaellátó vállalat tanácsát** (ha egy elektromos vezetékeket a berendezéssel megérint, ez tűzhez és áramütéshez vezethet; egy gázvezeték megrongálása robbanást eredményezhet; egy vízvezetékbe való behatolás anyagi károkhöz és áramütéshez vezethet)

### SZEMÉLYI BIZTONSÁGI ELŐÍRÁSOK

- Normálistól eltérő működés valamint szokatlan, idegen hangok esetén a készüléket azonnal kapcsolja ki és a kábelt húzza ki a fali dugaszoló aljzataból
- A készüléket csak 16 éven felüli személyek használják
- **Ne munkáljon meg a berendezéssel azbesztt tartalmazó anyagokat** (az azbeszttnek rákkeltő hatása van)

- Az anyagból származó por (mint például az ólmot, néhány fafajtát, ásványi anyagokat és fémeket tartalmazó festékek) káros lehet (a por érintése vagy belégzése allergiás reakciókat és/vagy légzőszervi betegségeket okozhat a kezelő, illetve a közelben állók esetében); **viseljen pormaszkot és amennyiben csatlakoztatható, dolgozzon porelszívó berendezéssel**
- Bizonyos porfajták rákkeltő besorolással rendelkeznek (ilyen például a tölgy- és a bükkfa pora), különösen a fa kondicionálására szolgáló adalékokkal együtt; **viseljen pormaszkot és amennyiben csatlakoztatható, dolgozzon porelszívó berendezéssel**
- Kövesse a por kezelésével kapcsolatos helyi előírásokat azon termékekkel kapcsolatban, amellyel dolgozni kíván
- **Tartsa távol kezét a vágófelülettől és a fűrészlaptól; szabad kezét tartsa a H ②** elülső markolaton (ha két kézzel tartja a fűrészgépet, elkerülheti a fűrészlap okozta sérüléseket)
- **Ne érintse a munkadarab alsó részét** (mivel a fűrészlap és a kéz helyzete így takarásba kerül)
- **Soha ne tartsa kezében vagy térdén átvetve a levágandó darabot** (elengedhetetlen a munkadarab biztonságos alátámasztása, hogy ezáltal minimumra csökkentse testi épségének veszélyeztetését vagy a szerszám beszorulását, illetve az a feletti irányítási képesség elvesztését)
- **Használjon szorítót vagy más eszközt a munkadarab rögzítésére és megtámasztására** (a munkadarab kézzel, vagy testével történő megtámasztása az irányítás elvesztéséhez vezethet)
- **Ne használjon életlen vagy megrongálódott fűrészlapot** (a meggyöngyült fűrészlapok könnyen eltörhetnek vagy hátrarúgást okozhatnak)
- **Tartsa távol kezét a szerszám burkolata és a D ②** fűrészlap rögzítő közötti résztől (mert a fűrészlap becsípheti az ujjait)
- **Ügyeljen rá, hogy a D ②** fűrészlap rögzítő meg legyen szorítva a vágás megkezdése előtt (mivel a kilazult fűrészlap miatt megcsúszhat a szerszám, és elveszítheti az irányítást)
- **Használjon védőkesztyűt a fűrészlap levétele során a szerszámot** (a hosszabb használatból a fűrészlap felforrósodhat)
- Viseljen védőszemüveget és zaj elleni fülvédőt

## A SZERSZÁMON TALÁLHATÓ SZIMBÓLUMOK MAGYARÁZATA

- ③ Használat előtt olvassa el a használati utasítást  
 ④ Kettős szigetelés (földelővezeték nem szükséges)  
 ⑤ A gépet ne dobja a háztartási szemétkébe

## KEZELÉS

- Be/Ki ⑥
- Sebességszabályozása  
A kerékkel C ② a fűrészelési sebesség alacsonyról nagyra állítható be (6 pozíció)
- A fűrészelési sebesség beállítása a használt anyagnak megfelelően ⑦  
**! ha a szerszám nem üzemel amikor a kerék C ② az 1-es pozícióban van, válasszon egy magasabb fűrészelési sebességet, majd csökkentse azt a szerszám üzemelése közben**

- Fűrészlap felszerelése ⑧  
**! húzzuk ki a kábel dugóját a csatlakozó aljzatból**  
- nyomja előre a D fűrészlap rögzítőt, és tartsa abban a helyzetben  
- helyezze be a fűrészlapot (a fogakkal felfelé, vagy lefelé) teljes mélységig  
- engedje vissza a D fűrészlap rögzítőt  
- húzza ki valameddig a fűrészlapot amíg a rögzítő D derékszögű pozícióba nem kattant  
- nyomja be és húzza ki a fűrészlapot, ellenőrizve, hogy megfelelően rögzült-e  
**! ügyeljen rá, hogy a D ② fűrészlap rögzítő meg legyen szorítva a vágás megkezdése előtt (mivel a kilazult fűrészlap miatt megcsúszhat a szerszám, és elveszítheti az irányítást)**  
**! ellenőrizze, hogy a fűrészlap eleje legalább egy teljes lökethosszal túlnyúl a E talpon**
- Fűrészlap eltávolítása ⑨  
- nyomja előre a D fűrészlap rögzítőt, és tartsa abban a helyzetben  
- húzza ki a lapot  
- engedje vissza a D fűrészlap rögzítőt
- Állítható talp ⑩  
- az E talp dönthető, hogy minél nagyobb felületen érintkezzen a munkadarabbal  
- állítsa be a talpat, a fűrészlet erősen megfogva, és a talpat a kívánt pozícióba fordítva
- Fűrészlap tároló rekesz ⑪  
- ügyeljen, hogy a F tároló rekesz zárva legyen, hogy a fűrészlapok ne essenek ki
- A gép üzemeltetése  
**! biztonságosan rögzítse a munkadarabot**  
- jelölje ki a vágási vonalat a munkadarabon  
- válassza ki a kívánt fűrészelési sebességet a kerékkel C ②  
- csatlakoztassa a csatlakozót az áramforráshoz (fény B kapcsol be, amely jelzi, hogy az eszköz áramot kap) ⑫  
- fogja a szerszámot egyik kezével a G ② markolatnál, míg másik kezével a H ② elülső markolatnál  
- kapcsolja be a gépet  
**! a szerszámnak el kell érnie a teljes sebességet, mielőtt a munkadarabhoz érintené a fűrészlapot**  
- vezesse végig a szerszám a kijelölt vágási vonal mentén  
- támassa szilárdan a munkadarabnak az E ② talpat, hogy minimalizálja az ellenérőt és a vibrálást
- A gép vezetése és tartása  
**! munka közben mindvégig tartsa gépet a sötét színű markolati terület(eken) ⑬**  
- a szellőzőnyílásokat J ② mindig tartsa szabadon  
- ne gyakoroljon túl nagy nyomást a gépre; hagyja, hogy a gép dolgozzon ön helyett  
**! ügyeljen rá, hogy a fűrészlap túlérjen a munkadarabon a löketek során ⑭**
- A tényleges vágásmélység beállítása ⑮  
- használja mindkét rögzítőcsavart K a talp E előre/hátra csúsztatásához a tényleges vágásmélység meghosszabbításához/csökkentéséhez  
**! a tényleges lökethossz beállítását ne kísérelje meg a csavarral L, mert az gyárilag került előbeállításra**

## HASZNÁLAT

- Beszúró vágás ⑩  
Fában és más puha anyagokban alkalmazhat beszúró vágást, lyuk előfúrása nélkül
  - használjon vastag fűrészlapot
  - szerelje fel a fűrészlapot, hogy a fogak felfelé nézzenek
  - tartsa megfordítva a fűrészlapot, amint az illusztráción látható
  - jelölje ki a vágási vonalat a munkadarabon
  - a kerékek C válassza ki az 1., 2. vagy 3. pozíciót
  - döntse meg úgy a szerszám, hogy a fűrészlap ne érjen hozzá a munkadarabhoz
  - kapcsolja be a szerszám, és lassan mélyessze a fűrészlapot a munkadarabba
  - miután a fűrészlap áthatolt a munkadarabon, folytassa a fűrészélést a kijelölt vágási vonal mentén
- ! **ne használja a beszúró vágást fém anyagokban**
- Fontos, hogy mindig megfelelő fűrészlapot használjon ⑪
- Fémek vágása esetén rendszeresen olajozza a fűrészlapot
- Szilánkmentes vágás
  - a vágást megelőzően ragassza le több rétegben a vágási vonalat széles szigetelőszalaggal
  - a munkadarab színét mindig lefelé fordítsa
- A [www.skil.com](http://www.skil.com) címen még több ötletet és javaslatot talál

## KARBANTARTÁS / SZERVIZ

- A szerszám nem professzionális használatra készült
- Mindig tartsa tisztán a gépet és a vezetéket (különös tekintettel a szellőzőnyílásokra J ⑫)
- ! **tisztítás előtt húzza ki a csatlakozódugót**
- Ha a gép a gondos gyártási és ellenőrzési eljárás ellenére egyszer mégis meghibásodna, akkor a javítással csak SKIL elektromos kéziszerszám-műhely ügyfélszolgálatát szabad megbízni
  - küldje az **összeszerelt** gépet a vásárlást bizonyító számlával együtt a kereskedő vagy a legközelebbi SKIL szervizállomás címére (a címlista és a gép szervizdiagramja a [www.skil.com](http://www.skil.com) címen található)

## KÖRNYEZET

- **Az elektromos kéziszerszámokat, tartozékokat és csomagolást ne dobja a háztartási szemétkébe** (csak EU-országok számára)
  - a használt villamos és elektronikai készülékekről szóló 2012/19/EK irányelv és annak a nemzeti jogba való átültetése szerint az elhasznált elektromos kéziszerszámokat külön kell gyűjteni, és környezetbarát módon újra kell hasznosítani
  - erre emlékeztet a ⑤ jelzés, amennyiben felmerül az intézkedésre való igény

## MEGFELELŐSÉGI NYILATKOZAT C E

### Ingafűrész 4900

#### Műszaki adatok ①

- Egyedüli felelőséggel kijelentjük, hogy a "Műszaki adatok" alatt leírt termék megfelel a következő szabványoknak, illetve irányadó dokumentumoknak: EN 60745, EN 61000, EN 55014 a 2004/108/EK (2016.04.19-ig), 2014/30/EU (2016.04.20-tól kezdve), 2006/42/EK, 2011/65/EU irányelveknek megfelelően

- **A műszaki dokumentáció a következő helyen található:** SKIL Europe BV (PT-SEU/ENG1), 4825 BD Breda, NL

Marijn van der Hoofden  
Operations & Engineering

Olaf Dijkgraaf  
Approval Manager

SKIL Europe BV, 4825 BD Breda, NL

12.03.2015

## ZAJ/REZGÉS

- Az EN 60745 alapján végzett mérések szerint ezen készülék hangnyomás szintje 90 dB(A) a hangteljesítmény szintje 101 dB(A) (normál eltérés: 3 dB), a rezgésszám \* m/s<sup>2</sup> (a három irány vektorösszege; szórás K = 1,5 m/s<sup>2</sup>)
  - \* farostlemezek vágásához 12,1 m/s<sup>2</sup>
  - \* fagerenda vágásához 12,2 m/s<sup>2</sup>
- A rezgés-kibocsátási szint mérése az EN 60745 szabványban meghatározott szabványosított teszttel összhangban történt; ez egy eszköznek egy másik eszközzel történő összehasonlítására, illetve a rezgésnek való kitettség előzetes felmérésére használható fel az eszköznek az említett alkalmazásokra történő felhasználása során
  - az eszköznek eltérő alkalmazásokra, vagy eltérő, illetve rosszul karbantartott tartozékokkal történő felhasználása jelentősen **emelheti** a kitettség szintjét
  - az idő, amikor az eszköz ki van kapcsolva, vagy amikor ugyan működik, de ténylegesen nem végez munkát, jelentősen **csökkentheti** a kitettség szintjét
- ! **az eszköz és tartozékai karbantartásával, kezé-  
lének melegen tartásával, és munkavégzésének  
megszervezésével védje meg magát a rezgések  
hatásaitól**

CZ

## Vratným pila

4900

## ÚVOD

- Toto náradí je určeno pro řezání materiálů z dřeva, plastu, kovu a staveb stejně jako pro přeřezávání a zarezávání stromů, je vhodná pro přímé a ohnuté řezy
- Tento nástroj není určen k profesionálnímu použití
- Tento návod s pokyny si pečlivě přečtěte a uschovejte ③

## TECHNICKÁ DATA ①

## SOUČÁSTI NÁSTROJE ②

- A Spinač "zapnuto/vypnuto"
- B Ukazatel "Zapnuto"
- C Kolečko regulátor rychlosti
- D Svorka listu pily
- E Nastavitelná základní deska
- F Místo pro uchování listu
- G Rukojeť

- H Madlo bubnu
- J Větrací šterbiny
- K Upevňovací svorniky
- L Šroub pro držák čepele

## BEZPEČNOST

### VŠEOBECNÉ BEZPEČNOSTNÍ PŘEDPISY

**⚠ POZOR! Čtete všechna varovná upozornění a pokyny.** Zanedbání při dodržování varovných upozornění a pokynů mohou mít za následek úder elektrickým proudem, požár a/nebo těžká poranění. **Všechna varovná upozornění a pokyny do budoucna uschovejte.** Ve varovných upozorněních použitý pojem "elektronářadí" se vztahuje na elektronářadí provozované na el. síti (se síťovým kabelem) a na elektronářadí provozované na akumulátoru (bez síťového kabelu).

#### 1) BEZPEČNOST PRACOVNÍHO MÍSTA

- a) **Udržujte Vaše pracovní místo čisté a uklizené.** Nepořádek nebo neosvětlené pracovní oblasti mohou vést k úrazům.
- b) **Se strojem nepracujte v prostředích ohrožených explozí, kde se nacházejí hořlavé kapaliny, plyny nebo prach.** Elektronářadí vytváří jiskry, které mohou prach nebo páry zapálit.
- c) **Děti a jiné osoby udržujte při použití elektronářadí daleko od Vašeho pracovního místa.** Při rozptýlení můžete ztratit kontrolu nad strojem.

#### 2) ELEKTRICKÁ BEZPEČNOST

- a) **Připojovací zástrčka stroje musí lícovat se zásuvkou. Zástrčka nesmí být žádným způsobem upravena. Společně se stroji s ochranným uzemněním nepoužívejte žádné adaptérové zástrčky.** Neupravené zástrčky a vhodné zásuvky snižují riziko elektrického úderu.
- b) **Zabraňte kontaktu těla s uzemněnými povrchy, jako např. potrubí, topení, sporáky a chladničky.** Je-li Vaše tělo uzemněno, existuje zvýšené riziko elektrického úderu.
- c) **Chraňte stroj před deštěm a vlhkem.** Vniknutí vody do elektrického stroje zvyšuje nebezpečí elektrického úderu.
- d) **Dbějte na účel kabelu, nepoužívejte jej k nošení či zavěšení stroje nebo vytažení zástrčky ze zásuvky. Udržujte kabel daleko od tepla, oleje, ostrých hran nebo pohyblivých dílů stroje.** Poškozené nebo spletené kabely zvyšují riziko elektrického úderu.
- e) **Pokud pracujete s elektronářadím venku, použijte pouze takové prodlužovací kabely, které jsou schváleny i pro venkovní použití.** Použití prodlužovacího kabelu, jež je vhodný pro použití venku, snižuje riziko elektrického úderu.
- f) **Pokud se nelze vyhnout provozu elektronářadí ve vlhkém prostředí, použijte ochranný jistič.** Nasazení ochranného jističe snižuje riziko úderu elektrickým proudem.

#### 3) BEZPEČNOST OSOB

- a) **Bud'te pozorní, dávejte pozor na to, co děláte a přistupujte k práci s elektronářadím rozumně. Stroj nepoužívejte pokud jste unavení nebo pod vlivem drog, alkoholu nebo léků.** Moment nepozornosti při použití elektronářadí může vést k vážným poraněním.

- b) **Noste osobní ochranné pomůcky a vždy ochranné brýle.** Nošení osobních ochranných pomůcek jako maska proti prachu, bezpečnostní obuv s protiskluzovou podrážkou, ochranná přilba nebo sluchátka, podle druhu nasazení elektronářadí, snižují riziko poranění.
  - c) **Zabraňte neúmyslnému uvedení do provozu. Přesvědčte se, že je elektronářadí vypnuté dříve než jej uchopíte, poneseťe či připojíte na zdroj proudu a/ nebo akumulátor.** Máte-li při nošení elektronářadí prst na spínači nebo pokud stroj připojíte ke zdroji proudu zapnutý, pak to může vést k úrazům.
  - d) **Než stroj zapnete, odstraňte seřizovací nástroje nebo šroubovák.** Nástroj nebo klíč, který se nachází v otáčivém dílu stroje, může vést k poranění.
  - e) **Nepřečunujte se. Zajistěte si bezpečný postoj a vždy udržujte rovnováhu.** Tím můžete stroj v neočekávaných situacích lépe kontrolovat.
  - f) **Noste vhodný oděv. Nenoste žádný volný oděv nebo šperky. Vlasy, oděv a rukavice udržujte daleko od pohybujících se dílů.** Volný oděv, šperky nebo dlouhé vlasy mohou být zachyceny pohybujícími se díly.
  - g) **Lze-li namontovat odsávací či zachycující přípravky, přesvědčte se, že jsou připojeny a správně použity.** Použití odsávání prachu může snížit ohrožení prachem.
- #### 4) SVĚDOMITĚ ZACHÁZENÍ A POUŽÍVÁNÍ ELEKTRONÁŘADÍ
- a) **Stroj nepřetěžujte. Pro svou práci použijte k tomu určený stroj.** S vhodným elektronářadím budete pracovat v udané oblasti výkonu lépe a bezpečněji.
  - b) **Nepoužívejte žádné elektronářadí, jehož spínač je vadný.** Elektronářadí, které nelze zapnout či vypnout je nebezpečné a musí se opravit.
  - c) **Než provedete seřízení stroje, výměnu dílů příslušenství nebo stroj odložíte, vytáhněte zástrčku ze zásuvky a/nebo odstraňte akumulátor.** Toto preventivní opatření zabrání neúmyslnému zapnutí stroje.
  - d) **Uchovávejte nepoužívané elektronářadí mimo dosah dětí. Nenechte stroj používat osobám, které se strojem nejsou seznámeny nebo nečetly tyto pokyny.** Elektronářadí je nebezpečné, je-li používáno nezkušenými osobami.
  - e) **Pečujte o stroj svědomitě. Zkontrolujte, zda pohyblivé díly stroje bezvadně fungují a nevzpřichují se, zda díly nejsou zlomené nebo poškozené tak, že je omezena funkce stroje. Poškozené díly nechte před nasazením stroje opravit.** Mnoho úrazů má příčinu ve špatně udržovaném elektronářadí.
  - f) **Řezné nástroje udržujte ostré a čisté.** Pečlivě ošetřované řezné nástroje s ostrými řeznými hranami se méně vzpřichují a dají se lehčeji vést.
  - g) **Používejte elektronářadí, příslušenství, nasazovací nástroje apod. podle těchto pokynů. Respektujte přitom pracovní podmínky a prováděnou činnost.** Použití elektronářadí pro jiné než určující použití může vést k nebezpečným situacím.
- #### 5) SERVIS
- a) **Nechte Váš stroj opravit pouze kvalifikovaným odborným personálem a pouze s originálními náhradními díly.** Tím bude zajištěno, že bezpečnost stroje zůstane zachována.



## BEZPEČNOSTNÍ PŘEDPISY PRO PILA S VRATNÝM POHYBEM

### PŘÍSLUŠENSTVÍ

- SKIL zajistí bezvadnou funkci nářadí pouze tehdy, používáte-li původní značkové
- Používejte pouze příslušenství, jejichž dovolené otáčky jsou alespoň tak vysoké jako nejvyšší otáčky stroje naprázdno

### PŘED POUŽITÍM

- Vždy zkontrolujte, zda je napájecí napětí stejné jako napětí uvedené na typovém štítku nástroje
- Vrtačku nepoužívejte je-li navlhá a nepracujte v blízkosti snadno zápalných nebo výbušných materiálů; před zahájením práce je odstraňte

### ELEKTRICKÁ BEZPEČNOST

- Používejte zcela rozvinuté a bezpečně prodlužovací šňůry o kapacitě 16 ampér
- **Při práci, při níž se ostří může dostat do styku se skrytými vodiči nebo vlastní přívodní šňůrou, držte nástroj vždy za izolované rukojeti** (při kontaktu se "živým" vodičem budou "živé" i obnažené kovové části nástroje a vystavujete se elektrickému šoku)
- **Použijte vhodné hledací přístroje k vyhledání skrytých přívodních vedení nebo přivězte místní dodavatelskou společnost** (kontakt s el. vedením může vést k požáru a elektrickému úderu; poškození plynového vedení může vést k explozi; proniknutí do vodovodního potrubí může způsobit věcné škody nebo elektrický úder)

### BEZPEČNOST OSOB

- V případě atypického chování nebo cizích hluků ihned vypněte nářadí a vytáhněte zástrčku
- Tento nástroj nesmí používat osoby mladší 16 let
- **Nepracovávajíte žádný materiál obsahující azbest** (azbest je karcinogenní)
- Prach z látek, jako jsou barvy obsahující olovo, některé druhy dřeva, minerály a kovy, může být škodlivý (kontakt s prachem nebo jeho vdechnutí může způsobit alergickou reakci a/nebo vyvolat respirační choroby u obsluhy nebo přihlížejících); **noste protiprachovou masku a pracujte se zařízením na odsávání prachu, pokud je možné jej připojit**
- Některé druhy prachu jsou klasifikovány jako karcinogenní (například dubový a bukový prach) zejména ve spojení s přísadami pro úpravu dřeva; **noste protiprachovou masku a pracujte se zařízením na odsávání prachu, pokud je možné jej připojit**
- Dodržujte stanovená nařízení pro práci v prašném prostředí
- **Dbejte, aby ruce byly v dostatečné vzdálenosti od místa řezu i ostří, druhou ruku položte na madlo bubnu H** (2) (držíte-li pilu oběma rukama, nemůže vás pila poříznout)
- **Nesahejte pod řezaný předmět** (nelze vidět, zda se druhá ruka nenachází při ostří)
- **Nikdy nedržte řezaný předmět v rukou nebo mezi koleny** (řezaný předmět musí být pevně podepřen, jinak se můžete poříznout, pila se může zaseknout a nástroj nezvládnete)
- **Obrobek upevněte pomocí svěráku nebo jiného zařízení** (držení obrobku v ruce nebo na těle může způsobit ztrátu kontroly nad nářadím)

- **Nepoužívejte tupé ani poškozené listy** (ohnuté ostří se snadno zlomí nebo dojde ke zpětnému vrhu)
  - **Dbejte, aby ruce byly v dostatečné vzdálenosti od prostoru mezi tělem pily a svorkou listu D** (2) (svorka listu by vám mohla přiskřípnout prsty)
  - **Před řezáním se ujistěte, že je svorka listu D** (2) dostatečně upevněna (uvolněná svorka může způsobit vyklouznutí nářadí nebo listu a v konečném důsledku ztrátu kontroly nad nářadím)
  - **Při odstraňování listu z nářadí používejte ochranné rukavice** (po delší činnosti může být list pily horký)
  - Noste ochranné brýle a ochranu sluchu
- ### VYSVĚTLENÍ SYMBOLŮ NA NÁŘADÍ
- ③ Před použitím si přečtěte návod k použití
  - ④ Dvojitá izolace (není nutný zemnicí drát)
  - ⑤ Nářadí nevyhazujte do komunálního odpadu

## OBSLUHA

- Zapnuto/vypnuto (6)
- Kontrola rychlosti  
Pomocí kolečka C (2) může být nastavena rychlost od nízké po vysokou (6 polohy)
- Seřízení rychlosti řezání podle použitého materiálu (7)  
**! jestliže nástroj neběží správně s kolečkem C (2) v poloze 1, zvolte si vyšší řezací rychlost a při chodu přístroje ji podle potřeby snižte**
- Montáž listu pily (8)  
**! rozpojte přívodní šňůru**
  - zatlačte svorku listu D dopředu a v této poloze ji podržte
  - vložte list (zuby směřují dolů nebo nahoru) do plné hloubky
  - uvolněte svorku D
  - vytáhněte list trochu ven, dokud svorka D nezaklapne do čtvercové polohy
  - zatlačte a zatahejte za list a zkontrolujte, zda je umístěn správně**! před řezáním se ujistěte, že je svorka listu D (2) dostatečně upevněna (uvolněná svorka může způsobit vyklouznutí nářadí nebo listu a v konečném důsledku ztrátu kontroly nad nářadím)**  
**! ujistěte se, že přední konec ostří vyčnívá ze základní desky E po celé délce posuvu**
- Vyjmutí listu pily (9)
  - zatlačte svorku listu D dopředu a v této poloze ji podržte
  - vytáhněte list
  - uvolněte svorku D
- Nastavitelná základní deska (10)
  - základní desku E lze nahnout, aby se v maximální možné míře dotýkala povrchu obrobku
  - nastavení základní desky: pevně uchopte pilu a otočte základní desku do požadované polohy
- Místo pro uchování listu (11)
  - ujistěte se, že je místo pro uchování listu F uzavřeno, aby ostří nevypadlo
- Použití nástroje  
**! důkladně upevněte obrobek**
  - zvolte na obrobku linii řezu
  - zvolte požadovanou rychlost řezání pomocí kolečka C (2)
  - zapojte kabel do elektrické zásuvky (světélko B se rozsvítí a ukazuje, že nástroj je připojen k elektrickému zdroji) (12)

- položte jednu ruku na rukojeť G ② a druhou na izolované madlo bubnu H ②
- zapněte nářadí
- ! **dřív než se ostří dotkne obrobku, nářadí by mělo běžet plnou rychlostí**
- vedte nářadí podél vyznačené linie řezu
- základní desku E ② držte pevně na obrobku kvůli minimalizaci protipůsobící síly a vibrací
- Držení a vedení nástroje
- ! **při práci vždy držte nástroj v šedě zabarvené oblasti rukojeti ⑬**
- udržujte větrací štěrbiny J ② nezakryté
- na nástroj příliš netlačte; nechte jej, aby pracoval za vás
- ! **ujistěte se, že list pily přečnává za obrobkem přes posuv ⑭**
- Nastavení hloubky účinného řezu ⑮
- používejte oba upevňovací svorníky K pro posuv stupačky E dopředu/dozadu, abyste zvětšili/zmenšili hloubku účinného řezu
- ! **nepokoušejte se nastavit délku účinného úderu pomocí šroubu L, který byl předem nastaven v továrně**

## NÁVOD K POUŽITÍ

- Zapichovací řezy ⑯
- Zapichovací řezy lze provádět do dřeva a dalších měkkých materiálů a není nutné předem vrtat otvor
- použijte hrubý list
- namontujte list tak, aby zuby směřovaly nahoru
- nářadí uchopte spodní částí nahoru
- vyznačte na obrobku požadovanou linii řezu
- vyberte polohu 1, 2 nebo 3 pomocí kolečka C
- nářadí nakloňte tak, aby se list nedotýkal obrobku
- nářadí zapněte a opatrně posouvejte pohybuující se list pily do obrobku
- když list pronikne do výrobku, pokračujte v řezání podél vyznačené linie řezu
- ! **zapichovací řezy nelze provádět do kovů**
- Použijte vhodné pilové listy ⑰
- Při řezání kovů listy pravidelně naolejujte
- Řezání bez štěpení
- před řezáním nalepte na zamýšlený řez několik vrstev široké pásky
- řezy provádějte vždy na rubu materiálu (lícem dolů)
- Další typy najdete na [www.skil.com](http://www.skil.com)

## ÚDRŽBA / SERVIS

- Tento nástroj není určen k profesionálnímu použití
- Nástroj a přírodní šňůru udržujte čisté (zejména větrací štěrbiny J ②)
- ! **před čištěním odpojte zástrčku**
- Pokud dojde i přes pečlivou výrobu a náročnou kontrolu k poruše nástroje, svěřte provedení opravy autorizovanému servisnímu středisku pro elektronářadí firmy SKIL
- zašlete nástroj **nerozebraný** spolu s potvrzením o nákupu své prodejně nebo nejbližšímu servisu značky SKIL (adresy a servisní schéma nástroje najdete na [www.skil.com](http://www.skil.com))

## ŽIVOTNÍ PROSTŘEDÍ

- **Elektrické nářadí, doplňky a balení nevyhazujte do komunálního odpadu** (jen pro státy EU)
- podle evropské směrnice 2012/19/EG o nakládání s použitými elektrickými a elektronickými zařízeními a odpovídajících ustanovení právních předpisů jednotlivých zemí se použítá elektrická nářadí, musí sbírat odděleně od ostatního odpadu a podrobit ekologicky šetrnému recyklování
- symbol ⑤ na to upozorňuje

## PROHLÁŠENÍ O SHODĚ CE

### Vratným pila 4900

#### Technická data ①

- Prohlašujeme v plné naší zodpovědnosti, že v odstavci "Technická data" popsaný výrobek je v souladu s následujícími normami nebo normativními dokumenty: EN 60745, EN 61000, EN 55014, podle ustanovení směrnic 2004/108/ES (do 19.04.2016), 2014/30/EU (od 20.04.2016), 2006/42/ES, 2011/65/EU
- **Technická dokumentace u:** SKIL Europe BV (PT-SEU/ENG1), 4825 BD Breda, NL

Marijn van der Hoofden  
Operations & Engineering

Olaf Dijkgraaf  
Approval Manager




SKIL Europe BV, 4825 BD Breda, NL

12.03.2015

### HLUČNOSTI/VIBRACÍ

- Měřeno podle EN 60745 činí tlak hlukové vlny tohoto přístroje 90 dB(A) a dávka hlučnosti 101 dB(A) (standardní odchylka: 3 dB), a vibrací \* m/s<sup>2</sup> (vektorový součet tří os; nepřesnost K = 1,5 m/s<sup>2</sup>)
- \* při řezání dřevotřísek 12,1 m/s<sup>2</sup>
- \* při řezání dřevěného trámu 12,2 m/s<sup>2</sup>
- Úroveň vibrací byla měřena v souladu se standardizovaným testem podle EN 60745; je možné ji použít ke srovnání jednoho přístroje s druhým a jako předběžně posouzení vystavování se vibracím při používání přístroje k uvedeným aplikacím
- používání přístroje k jiným aplikacím nebo s jiným či špatně udržovaným příslušenstvím může zásadně **zvýšit** úroveň vystavení se vibracím
- doba, kdy je přístroj vypnutý nebo kdy běží, ale ve skutečnosti není využíván, může zásadně **snížit** úroveň vystavení se vibracím
- ! **chráňte se před následky vibrací tak, že budete dbát na údržbu přístroje a příslušenství, budete si udržovat teplé ruce a uspořádáte si své pracovní postupy**

## GİRİŞ

- Bu araç düzeltme ve ağaç budama işlerinin yanı sıra ahşap, plastik, metal ve inşaat malzemelerini kesmek için tasarlanmıştır; düz ve kavisli kesim için uygundur
- Bu alet profesyonel kullanıma yönelik değildir
- Bu kullanma kılavuzunu okuyun ve saklayın ③

## TEKNİK VERİLER ①

## ALET BİLEŞENLERİ ②

- A Açma/kapama şalteri
- B "Açık" Göstergesi
- C Hiz seçimi tekerleği
- D Testere tutucu
- E Ayarlanabilir ayak plakası
- F Testere saklama bölgesi
- G Kol
- H Tutamak
- I Havalandırma yuvaları
- K Sabitleme civataları
- L Testere ağını tutan vidası

## GÜVENLİK

## GENEL GÜVENLİK TALİMATI

**⚠ DİKKAT! Bütün uyarıları ve talimat hükümlerini okuyun.** Açıklanan uyarılara ve talimat hükümlerine uyulmadığı takdirde elektrik çarpmalarına, yangınlara ve/veya ağır yaralanmalara neden olunabilir. **Bütün uyarıları ve talimat hükümlerini ileride kullanmak üzere saklayın.** Uyarı ve talimat hükümlerinde kullanılan "elektrikli el aleti" kavramı, akım şebekesine bağlı (şebeke bağlantı kablosu ile) aletlerle akü ile çalışan aletleri (akım şebekesine bağlantısı olmayan aletler) kapsamaktadır.

## 1) ÇALIŞMA YERİ GÜVENLİĞİ

- Çalıştığınız yeri temiz ve düzenli tutun.** İşyerindeki düzensizlik veya yetersiz aydınlatma kazalara neden olabilir.
- Yanıcı sıvıların, gazların veya tozların bulunduğunu patlama tehlikesi olan yer ve mekânlarda aletinizle çalışmayın.** Elektrikli el aletleri, toz veya buharların tutuşmasına veya yanmasına neden olan kıvılcımlar çıkarırlar.
- Elektrikli el aletinizle çalışırken çocukları ve başkalarını çalışma alanınızın uzağında tutun.** Yakınızdaki bulunan kişiler dikkatinizi dağıtabilir ve bu da alet üzerinde kontrolünüzü kaybetmenize neden olabilir.

## 2) ELEKTRİKSEL GÜVENLİK

- Aletinizin bağlantı fişi prize uymalıdır. Fişi hiçbir şekilde değiştirmeyin. Koruyucu topraklamalı aletlerle adaptörlü fiş kullanmayın.** Değiştirilmemiş, orijinal fiş ve uygun prizler elektrik çarpmaya tehlikesini azaltır.
- Borular, kalorifer tesisatı, ısıtıcılar ve buzdolapları gibi topraklanmış yüzeylerle bedensel temasa**

gelmekten kaçının. Eğer bedeniniz topraklanacak olursa yüksek bir elektrik çarpmaya tehlikesi ortaya çıkar.

- Aletinizi yağmur ve nemden koruyun.** Elektrikli el aletinizin içine suyun sızması elektrik çarpmaya tehlikesini yükseltir.
- Kabloyu kendi amacı dışında kullanmayın; örneğin aleti kablodan tutarak taşımayın, aleti kablo ile asmayın veya kablodan çekerek fişi prizden çıkarmayın. Kabloyu aşırı sıcaktan, yağlardan, keskin kenarlı cisimlerden veya aletin hareketli parçalarından uzak tutun.** Hasarlı veya dolaşmış kablo elektrik çarpmaya tehlikesini yükseltir.
- Elektrikli el aletinizle açık havada çalışırken mutlaka açık havada kullanılmaya müsadeleli uzatma kablosu kullanın.** Açık havada kullanılmaya uygun ve müsadeleli uzatma kablosunun kullanılması elektrik çarpmaya tehlikesini azaltır.
- Elektrikli el aletinizi nemli ortamlarda çalıştırılması şartsa, mutlaka toprak kaçağı devre kesicisi kullanın.** Toprak kaçağı devre kesicisi kullanımı elektrik çarpmaya tehlikesini azaltır.

## 3) KİŞİLERİN GÜVENLİĞİ

- Dikkatli olun, ne yaptığınızı dikkat edin ve elektrikli el aletinizle çalışırken makul hareket edin.** Yorgunsanız, hap, ilaç veya alkol almışsanız aletinizi kullanmayın. Aletinizi kullanırken bir anlık dikkatsizliğiniz ciddi yaralanmalara yol açabilir.
- Daima kişisel korunma donanımları ve bir koruyucu gözlük kullanın.** Elektrikli el aletinizin türü ve kullanımına uygun olarak kullanacağınız toz maskesi, kaymayan sağlam iş ayakkabıları, koruyucu kask veya koruyucu kulaklık gibi kişisel korunma donanımlarını kullanmanızı yaralanma tehlikesini büyük ölçüde azaltır.
- Aleti yanlışlıkla çalıştırmaktan kaçının. Akım ikmal şebekesine ve/veya aküye bağlamadan, elinize alıp taşımadan önce elektrikli el aletinizin kapalı durumda olduğundan emin olun.** Elektrikli el aletini parmağınız şalter üzerinde dururken taşırsanız ve alet açıkken fişi prize sokarsanız kazalara neden olabilirsiniz.
- Aleti çalıştırmadan önce ayar aletlerini veya tornavidaları aletten uzaklaştırın.** Dönen alet parçasına temas halinde bulunan bir uç veya anahtar yaralanmalara neden olabilir.
- Kendinize çok fazla güvenmeyin. Duruşunuzun güvenli olmasına dikkat edin ve daima dengenizi koruyun.** Bu sayede aletinizi beklenmedik durumlarda daha iyi kontrol edersiniz.
- Uygun iş giysileri giyin. Çalışırken çok bol giysiler giymeyin ve takı takmayın. Saçlarınızı, giysilerinizi ve eldivenlerinizi aletin hareketli parçalarından uzak tutun.** Bol giysiler, takılar veya uzun saçlar aletin hareketli parçaları tarafından tutulabilir.
- Aletinize toz emme donanımı ve toz tutma donanımı takılabiliyorsa, bunların bağlı olup olmadığını ve doğru işlev görüp görmediklerini kontrol edin.** Toz emme donanımının kullanımı tozdan kaynaklanabilecek tehlikeleri azaltır.

## 4) ELEKTRİKLİ EL ALETLERİYLE DİKKATLİ ÇALIŞMAK VE ALETİ DOĞRU KULLANMAK

- Aletinizi aşırı ölçüde zorlamayın. İşinize uygun elektrikli el aletini kullanın.** Uygun elektrikli el aleti ile belirtilen performans alanında daha iyi ve daha güvenli çalışırsınız.

- b) **Açma/kapama şalteri arızalı olan elektrikli el aletini kullanmayın.** Açılıp kapanamayan bir elektrikli el aleti tehlikelidir ve onarılması gerekir.
- c) **Alette bir ayarlama işlemine başlamadan ve/veya aküyü çıkarmadan önce, herhangi bir aksesuarı değiştirirken veya aleti elinizden bırakırken fişi prizden çekin.** Bu önlem, aletin kontrolünüz dışında ve istenmeden çalışmasını önler.
- d) **Kullanım dışında iken elektrikli el aletinizi çocukların ulaşamayacağı bir yerde saklayın. Aleti kullanmayı bilmeyen veya bu güvenlik talimatını okumayan kişilerin aleti kullanmasına izin vermeyin.** Deneyimsiz kişiler tarafından kullanıldıkları takdirde elektrikli el aletleri tehlikeli olabilirler.
- e) **Aletin bakımını özenle yapın. Aletin hareketli parçalarının kusursuz işlev görüp görmediklerini ve sıkışmadıklarını, parçaların kırık veya hasarlı olup olmadıklarını kontrol edin, aksi takdirde alet işlevini tam olarak yerine getiremez. Aletinizi kullanmadan önce hasarlı parçaları onartın.** Birçok iş kazası aletlerin kötü ve yetersiz bakımından kaynaklanır.
- f) **Kesici uçları keskin ve temiz tutun.** İyi bakım görmüş kesici uçlar daha ender sıkışmalar ve daha iyi yönlendirilirler.
- g) **Elektrikli el aletlerini, aksesuarı, uçları ve benzerlerini bu güvenlik talimatına uygun olarak kullanın. Aletinizi kullanırken çalışma koşullarını ve yaptığınız işi daima dikkate alın.** Elektrikli el aletlerini kendileri için öngörülen işlerin dışında kullanmak tehlikeli durumların ortaya çıkmasına neden olabilir.
- 5) **SERVİS**
- a) **Aletinizi sadece uzman bir elemana ve orijinal yedek parçalar kullanılarak onartın.** Böylelikle aletin güvenliğini korumuş olursunuz.

## GÜVENLİK TALİMATI PANTER TESTERELER

### AKSESUARLAR

- SKIL sadece orijinal aksesuarlar kullanıldığında aletin düzgün çalışmasını garanti eder
- Bu alette kullanacağınız aksesuar edilen devir sayısı en azından aletin boşta en yüksek devir sayısı kadar olmalıdır

### KULLANMADAN ÖNCE

- Güç geriliminin, aletin özellik plakasında belirtilen voltaj değeriyle aynı olduğunu sık sık kontrol edin
- İş parçasının vida, çivi ve benzeri malzeme tarafından hasar görmemesi için dikkatli olun; çalışmaya başlamadan önce bunları çıkartın

### ELEKTRİKSEL GÜVENLİK

- Tamamen kusursuz ve güvenli 16 Amp uzatma kabloları kullanın
- **Testere bıçağının çevredeki kablolar** (veya kendi kablosu) ile temas edebileceği kesim çalışmalarında testereyi iletkin olmayan özel saplarından tutmaya özen gösterin (elektrik akımı olan bir kablo ile temas halinde testeredeki metal parçalar da elektrik akımı olarak kullanıcıyı elektrikle çarpılmasına neden olacaktır)
- **Görünmeyen elektrik kablolarını belirlemek için uygun bir tarama cihazı kullanın veya yerel akım ikmal şirketlerinden yardım isteyin** (elektrik kablolarıyla temas, yangın çıkmasına veya elektrik çarpmalarına neden olabilir; bir gaz borusu hasar görürse

patlama tehlikesi ortaya çıkar; bir su borusunun delinmesi halinde maddi hasarlar meydana gelebilir veya elektrik çarpması tehlikesi ortaya çıkabilir)

### KİŞİLERİN GÜVENLİĞİ

- Elektriksel veya mekaniksel hatalı çalışma durumunda aleti hemen kapatın ve fişi çekin
- Bu alet 16 yaşının altındaki kişiler tarafından kullanılmamalıdır
- **Bu alette asbest içeren malzemeleri işlemeyin** (asbest kanserojen bir madde kabul edilir)
- Kurşun içeren boya, bazı ahşap türleri, mineral ve metal gibi malzemelerden çıkan toz zararlı olabilir (tozla temasta bulunulması veya solunması operatörde veya yakında bulunan kişilerde alerjik reaksiyonlara ve/veya solunum yolu hastalıklarına neden olabilir); **toz maskesi takın ve toz ekstraksiyon cihazıyla çalışın (bağlanabiliyorsa)**
- Bazı toz tipleri (örneğin meşe ve kayın ağacı tozu), bilhassa ahşap yenileme katkı maddeleriyle birlikte, kanserojenik olarak sınıflandırılır; **toz maskesi takın ve toz ekstraksiyon cihazı ile çalışın (bağlanabiliyorsa)**
- Çalışmak istediğiniz malzemelerin, toz ile ilgili ulusal taleplerini takip edin
- **Ellerinizi kesme alanından ve testereden uzak tutun; diğer elinizi tutamak H ② üzerinde tutun (testereyi iki elinizle tuttuğunuz zaman, ellerinizin testere bıçağı tarafından kesilmesi önlenmiş olacaktır)**
- **Kestiğiniz cismin alt kısmından ellerinizi uzak tutun** (testerenin elinize olan yakınlığını bakış açınızdan anlamaz güçtür)
- **Kestiğiniz cismi kesinlikle ellerinizde veya bacaklar üzerinde tutmayın** (vücudu olası tehlikelere karşı korumak ve bıçağın kaymasını ya da kontrol kaybını önlemek için kestiğiniz cismin sabit ve sağlam bir şekilde desteklenmesi gerekir)
- **İş parçasını iyice sabitlemek ve desteklemek için mengene veya diğer ekipmanları kullanın** (iş parçasını elde tutmak veya vücudu dayamak kontrol kaybına neden olabilir)
- **Körelmiş veya hasarlı bir bıçak kullanmayın** (eğilmiş testere kolay kırılabilir veya ters bir tepkiye neden olabilirler)
- **Ellerinizi alet muhafazası ile testere tutucu D ② arasına sokmamaya çalışın** (testere tutucu parmaklarınızı kesebilir)
- **Bir kesme işlemi yapmadan önce testere tutucuyu D ② iyice sıkın** (gevşek bir tutucu kontrol kaybına ve bunun sonucu olarak alet veya testerenin kaymasına neden olabilir)
- **Testereyi aletten çıkarırken koruyucu eldivenler giyin** (uzun süreli kullanımın ardından testere ısınmış olabilir)
- **Koruyucu gözlük ve koruyucu kulaklık giyin**

### ALET ÜZERİNDEKİ SİMGELERİN AÇIKLAMASI

- ③ Kullanmadan önce kılavuzu okuyun
- ④ Çift yalıtım (topraklama kablosu gerekli değildir)
- ⑤ Aleti evdeki çöp kutusuna atmayın

## KULLANIM

- Açma/kapama ⑥
- Hız kontrolü
- Tekeri C ② testerenin kesme hızı düşüktür yükseğe (6 konum) ayarlanabilir

- Kullanılan malzemeye göre kesme hızı ayarlama ⑦  
**! eğer alet 1.pozisyonda C ② çarkı ile çalışmıyorsa, daha yüksek hızlı bir kesme hızı seçiniz ve alet çalışır haldeyken hızı azaltınız**
- Testerenin takılması ⑧  
**! şebeke fisini çekin**  
- testere tutucuya D ileri doğru bastırın ve bu pozisyonda tutun  
- testereyi (dişleri aşağı veya yukarı gelecek şekilde) tam dibe yerleştirin  
- testere tutucuya D serbest bırakın  
- testerenin kısa kare testere tutucuyu D kadar çekin  
- doğru şekilde kilitleyip kilitlemediğini kontrol etmek için testereyi itip çekin  
**! bir kesme işlemi yapmadan önce testere tutucuyu D ② iyice sıkın (gevşek bir tutucu kontrol kaybına ve bunun sonucu olarak alet veya testerenin kaymasına neden olabilir)**  
**! testerenin ön ucunun tüm kurs uzunluğu boyunca ayak plakasından E dışarıya uzamasını sağlayın**
- Testerenin çıkarma ⑨  
- testere tutucuya D ileri doğru bastırın ve bu pozisyonda tutun  
- testerenin çekin  
- testere tutucuya D serbest bırakın
- Ayarlanabilir ayak plakası ⑩  
- yüzeyini iş parçası ile olabildiğince temasta tutabilmek için ayak plakası E eğilebilir  
- testereyi sıkıca tutup ayak plakasını istenilen konuma çevirerek ayarlama yapın
- Testere saklama bölmesi ⑪  
- testerelelerin düşmesini önlemek için saklama bölmesini F kapatın
- Aletin çalıştırılması  
**! iş parçasını iyice sabitleyin**  
- iş parçası üzerine kesme çizgisini çizin  
- tekeri C ② istediğiniz kesme hızını seçin  
- fişi güç kaynağına takın (ışık B yanar ve bu aracın güç aldığını gösterir) ⑫  
- aleti bir elinizle koldan G ② diğer elinizle yalıtımlı tutamaktan H ② tutun  
- aleti çalıştırın  
**! testere iş parçasına girmeden önce aletin tam hız konumunda çalışması gerekir**  
- işaretlenmiş çizgi boyunca aleti kullanın  
- karşı kuvveti ve titreşimi en aza indirmek için ayak plakasını E ② iş parçasına sıkı şekilde bastırın
- Aletin tutulması ve kullanılması  
**! çalışma esnasında, aleti daima gri renkli bölge(ler)den tutun(uz) ⑬**  
- havalandırma yuvalarını J ② açık tutun  
- alete çok fazla baskı uygulamayın, bırakın alet sizin için çalışsın  
**! testerenin kurs boyunca iş parçasını tam olarak geçtiğinden emin olun ⑭**
- Etkili kesme derinliğinin ayarlanması ⑮  
- etkili kesme derinliğinin genişletmek/daraltmak amacıyla ayak plakasını E ileri/geri kaydırmak için her iki sabitleme civataları K kullanın  
**! etkili kurs uzunluğunu üretim aşamasında ön ayarlı vidayla L ayarlamaya çalışmayın**

## UYGULAMA

- Saplamalı kesme ⑯  
Saplamalı kesme işlemi önceden bir delik açmadan ağaç ve diğer yumuşak malzemeler üzerinde uygulanabilir  
- kalın bir testere kullanın  
- dişleri yukarı bakacak şekilde testereyi monte edin  
- resimde gösterildiği gibi testereyi tutun  
- iş parçası üzerine istenen kesme çizgisini çizin  
- tekeri C konum 1, 2 veya 3'ü seçin  
- testere iş parçasıyla temas etmeyecek şekilde alete eğim verin  
- aleti açın ve hareketli testereyi iş parçasına yaslayın  
- testere iş parçasına girdikten sonra işaretlenmiş kesme çizgisi boyunca kesme işlemini sürdürün  
**! metal malzemeler üzerinde saplamalı kesme işlemi gerçekleştirilmeyen**
- Uygun testere uçları kullanın ⑰
- Metalleri keserken testere ucunu yağ ile düzenli olarak yağlayın
- Ayrılmaz kesme  
- kesme işleminden önce kesme noktasını bir kaç kat kalın bant ile kaplayın  
- malzemenin iyi yüzü daima aşağıya bakmalıdır
- Daha fazla ipucu için [www.skil.com](http://www.skil.com) sitesini gezin

## BAKIM / SERVİS

- Bu alet profesyonel kullanıma yönelik değildir
- Aleti ve kablosunu daima temiz tutun (özellikle havalandırma yuvalarını J ②)  
**! temizlemeden önce, cihazın fişini prizden çekin**
- Dikkatli biçimde yürütülen üretim ve test yöntemlerine rağmen aleti arıza yapacak olursa, onarım SKIL elektrikli aletleri için yetkili bir serviste yapılmalıdır  
- aleti ambalajıyla birlikte satın alma belgenizide ekleyerek satıcınıza veya en yakın SKIL servisine ulaştırın (adresler ve aletin servis şemaları [www.skil.com](http://www.skil.com) adresinde listelenmiştir)

## ÇEVRE

- Elektrikli aletlerini, aksesuarları ve ambalajları evdeki çöp kutusuna atmazınız (sadece AB ülkeleri için)  
- kullanılmış elektrikli aletleri, elektrik ve elektrikli eski cihazlar hakkındaki 2012/19/EC Avrupa yönergelerine göre ve bu yönergeler ulusal hukuk kurallarına göre uyarlanarak, ayrı olarak toplanmalı ve çevre şartlarına uygun bir şekilde tekrar değerlendirmeye gönderilmelidir  
- sembol ⑤ size bunu anımsatmalıdır

## UYGUNLUK BEYANI CE

### Panter testere 4900

#### Teknik veriler ①

- Tek sorumlu olarak "Teknik veriler" bölümünde tanımlanan ürünün aşağıdaki norm veya normatif belgelere uygunluğunu beyan ederiz: EN 60745, EN 61000, EN 55014 yönetmelik hükümleri uyarınca 2004/108/EG (19.04.2016 tarihine kadar), 2014/30/EU (20.04.2016 tarihinden itibaren), 2006/42/EG, 2011/65/EU

- **Teknik belgelerin bulunduğu merkez:** SKIL Europe BV (PT-SEU/ENG1), 4825 BD Breda, NL

Marijn van der Hoofden  
Operations & Engineering

Olaf Dijkgraaf  
Approval Manager

SKIL Europe BV, 4825 BD Breda, NL

12.03.2015

## GÜRÜLTÜ/TİTREŞİM

- Ölçülen EN 60745 göre ses basıncı bu makinanın seviyesi 90 dB(A) ve çalışma sırasındaki gürültü 101 dB(A) (standart sapma: 3 dB), ve titreşim \* m/s<sup>2</sup> (üç yönün vektör toplamı; tolerans K = 1,5 m/s<sup>2</sup>)
    - \* sunta keserken 12,1 m/s<sup>2</sup>
    - \* kalası keserken 12,2 m/s<sup>2</sup>
  - Titreşim emisyon seviyesi EN 60745'te sunulan standart teste göre ölçülmüştür; bu seviye, bir aleti bir başkasıyla karşılaştırmak amacıyla ve aletin söz konusu uygulamalarda kullanılması sırasında titreşime maruz kalma derecesinin ön değerlendirilmesi olarak kullanılabilir
    - aletin farklı uygulamalar için veya farklı ya da bakımı yetersiz yapılmış aksesuarlarla kullanılması, maruz kalma seviyesini belirgin biçimde **artırabilir**
    - aletin kapalı olduğu veya çalıştığı ancak gerçek anlamda iş yapmadığı zamanlarda, maruz kalma seviyesi belirgin biçimde **azalabilir**
- ! aletin ve aksesuarlarının bakımını yaparak, ellerinizi sıcak tutarak ve iş modellerinizi düzenleyerek kendinizi titreşimin etkilerinden koruyun**

PL

## Pilarka szablasta

4900

## WSTĘP

- To narzędzie jest przeznaczone do cięcia drewna, plastiku, metalu i materiałów budowlanych a także do przycinania i podcinania drzew; jest ono odpowiednio do wykonywania prostych i zakrzywionych cięć
- Narzędzie nie jest przeznaczone do zastosowań profesjonalnych
- Przeczytać i zachować niniejszą instrukcję obsługi ③

## DANE TECHNICZNE ①

## ELEMENTY NARZĘDZIA ②

- A Włącznik/wyłącznik
- B Lampka "Power On"
- C Pokrętko do regulacji prędkości
- D Zaciśk ostrza
- E Regulowana podpórka
- F Magazynek ostrza
- G Rękojeść
- H Tuleja uchwyty
- J Szczeliny wentylacyjne

- K Śruby mocujące
- L Śruba przytrzymująca ostrze

## BEZPIECZEŃSTWO

### OGÓLNE INSTRUKCJE BEZPIECZEŃSTWA

**⚠ UWAGA! Należy przeczytać wszystkie wskazówki i przepisy.** Błędy w przestrzeganiu poniższych wskazówek mogą spowodować porażenie prądem, pożar i/lub ciężkie obrażenia ciała. **Należy starannie przechowywać wszystkie przepisy i wskazówki bezpieczeństwa dla dalszego zastosowania.** Użyte w poniższym tekście pojęcie "elektronarzędzie" odnosi się do elektronarzędzi zasilanych energią elektryczną z sieci (z przewodem zasilającym) i do elektronarzędzi zasilanych akumulatorami (bez przewodu zasilającego).

### 1) BEZPIECZEŃSTWO MIEJSCA PRACY

- Miejsce pracy należy utrzymywać w czystości i dobrze oświetlone.** Nieporządek lub nie oświetlone miejsce pracy mogą doprowadzić do wypadków.
- Nie należy pracować tym narzędziem w otoczeniu zagrożonym wybuchem, w którym znajdują się np. łatwopalne ciecze, gazy lub pyły.** Elektronarzędzia wytwarzają iskry, które mogą podpalić ten pył lub pary.
- Elektronarzędzie trzymać podczas pracy z daleka od dzieci i innych osób.** Przy nieuwadze można stracić kontrolę nad narzędziem.

### 2) BEZPIECZEŃSTWO ELEKTRYCZNE

- Wtyczka urządzenia musi pasować do gniazda. Nie wolno modyfikować wtyczki w jakikolwiek sposób. Nie należy używać wtyczek adapterowych razem z uziemionymi narzędziami.** Nieziemione wtyczki i pasujące gniazda zmniejszają ryzyko porażenia prądem.
- Należy unikać kontaktu z uziemionymi powierzchniami jak rury, grzejniki, piece i lodówki.** Istnieje zwiększone ryzyko porażenia prądem, gdy Państwa ciało jest uziemione.
- Urządzenie należy przechowywać zabezpieczone przed deszczem i wilgocią.** Wniknięcie wody do elektronarzędzia podwyższa ryzyko porażenia prądem.
- Nigdy nie należy używać kabla do innych czynności. Nigdy nie używać kabla do noszenia urządzenia za kabel, zawieszenia lub do wyciągania wtyczki z gniazda. Kabel należy trzymać z daleka od wysokich temperatur, oleju, ostrych krawędzi lub ruchomych części urządzenia.** Uszkodzone lub poplątane kable zwiększają ryzyko porażenia prądem.
- W przypadku, kiedy elektronarzędziem pracuje się na świeżym powietrzu należy używać kabla przedłużającego, który dopuszczony jest do używania na zewnątrz.** Użycie dopuszczonego do używania na zewnątrz kabla przedłużającego zmniejsza ryzyko porażenia prądem.
- Jeżeli nie da się uniknąć zastosowania elektronarzędzia w wilgotnym otoczeniu, należy użyć wyłącznika ochronnego różnicowo-prądowego.** Zastosowanie wyłącznika ochronnego różnicowo-prądowego zmniejsza ryzyko porażenia prądem.

### 3) BEZPIECZEŃSTWO OSÓB

- a) **Należy być uważnym, uważać na to co się robi i pracę elektronarzędziem rozpoczynać z rozsądkiem. Nie należy używać urządzenia gdy jest się zmęczonym lub pod wpływem narkotyków, alkoholu lub lekarstw.** Moment nieuwagi przy użyciu urządzenia może doprowadzić do poważnych urażeń ciała.
  - b) **Należy nosić osobiste wyposażenie ochronne i zawsze okulary ochronne.** Noszenie osobistego wyposażenia ochronnego jak maska przeciwpyłowa, nie ślizgające się buty robocze, hełm ochronny lub ochrona słuchu, w zależności od rodzaju i zastosowania elektronarzędzia zmniejsza ryzyko obrażeń ciała.
  - c) **Należy unikać niezamierzonego uruchomienia narzędzia. Przed włożeniem wtyczki do gniazdka i/lub podłączeniem do akumulatora, a także przed podniesieniem lub przeniesieniem elektronarzędzia, należy upewnić się, że elektronarzędzie jest wyłączone.** Trzymanie palca na wyłączniku podczas przenoszenia elektronarzędzia lub podłączenie do prądu włączonego narzędzia, może stać się przyczyną wypadków.
  - d) **Zanim urządzenie zostanie włączone należy usunąć narzędzia nastawcze lub klucze.** Narzędzie lub klucz, które znajdują się w ruchomych częściach urządzenia mogą doprowadzić do obrażeń ciała.
  - e) **Nie należy przeceniać swoich możliwości. Należy dbać o bezpieczną pozycję pracy i zawsze utrzymywać równowagę.** Przez to możliwa jest lepsza kontrola urządzenia w nieprzewidywanych sytuacjach.
  - f) **Należy nosić odpowiednie ubranie. Nie należy nosić luźnego ubrania lub biżuterii. Włosy, ubranie i rękawice należy trzymać z daleka od ruchomych elementów.** Luźne ubranie, biżuteria lub długie włosy mogą zostać pociągnięte przez poruszające się części.
  - g) **W przypadku, kiedy możliwe jest zamontowanie urządzeń odsysających lub podchwytyjących należy upewnić się, czy są one właściwie podłączone i prawidłowo użyte.** Użycie urządzenia odsysającego płyt może zmniejszyć zagrożenie pyłami.
- #### 4) UWAŻNE OBCOWANIE ORAZ UŻYCIE ELEKTRONARZĘDZIA
- a) **Nie należy przeciążać urządzenia. Do pracy używać należy elektronarzędzia, które jest do tego przewidziane.** Odpowiednim narzędziem pracuje się lepiej i bezpieczniej w podanym zakresie sprawności.
  - b) **Nie należy używać elektronarzędzia, którego wtycznik/wyłącznik jest uszkodzony.** Elektronarzędzie, którego nie można włączyć lub wyłączyć jest niebezpieczne i musi zostać naprawione.
  - c) **Przed regulacją urządzenia, wymianą osprzętu lub po zaprzestaniu pracy narzędziem, należy wyciągnąć wtyczkę z gniazda i/lub usunąć akumulator.** Ten środek ostrożności zapobiega niezamierzonemu włączeniu się urządzenia.
  - d) **Nie używane elektronarzędzia należy przechowywać poza zasięgiem dzieci. Nie należy udostępniać narzędzia osobom, które jego nie umięją lub nie przeczytały tych przepisów.** Używane przez niedoświadczone osoby elektronarzędzia są niebezpieczne.
  - e) **Urządzenie należy starannie konserwować. Należy kontrolować, czy ruchome części urządzenia**

funkcjonują bez zarzutu i nie są zablokowane, czy części nie są pęknięte lub uszkodzone, co mogłoby mieć wpływ na prawidłowe funkcjonowanie urządzenia. Uszkodzone narzędzie należy przed użyciem urządzenia oddać do naprawy. Wiele wypadków spowodowanych jest przez niewłaściwą konserwację elektronarzędzi.

- f) **Osprzęt tnący należy utrzymywać ostry i czysty.** Starannie pielęgnowany osprzęt tnący z ostrymi krawędziami tnącymi blokuje się rzadziej i łatwiej się używa.
- g) **Elektronarzędzia, osprzęt, narzędzia itd. należy używać odpowiednio do tych przepisów. Uwzględnić należy przy tym warunki pracy i czynnność do wykonania.** Użycie elektronarzędzi do innych niż przewidziane prace może doprowadzić do niebezpiecznych sytuacji.

#### 5) SERWIS

- a) **Naprawę urządzenia należy zlecić jedynie kwalifikowanemu fachowcowi i przy użyciu oryginalnych części zamiennych.** To gwarantuje, że bezpieczeństwo użytkowania zostanie zachowane.

### PRZEPISY BEZPIECZEŃSTWA DO PILARKI SZABLASTE

#### AKCESORIA

- SKIL może zagwarantować bezawaryjne działanie narzędzia tylko przy korzystaniu z oryginalnego wyposażenia dodatkowego
- Używać tylko akcesoriów, których dopuszczalna prędkość obrotowa jest co najmniej tak wysoka jak najwyższa prędkość obrotowa urządzenia na biegu bez obciążenia

#### PRZED UŻYCIEM

- Każdorazowo należy sprawdzać, czy napięcie zasilania jest zgodne z napięciem podanym na tabliczce znamionowej urządzenia
- Uwaga na gwoździe, śruby i inne twarde przedmioty; przed przystąpieniem do obróbki powinny być usunięte z obrabianego przedmiotu; usunąć je przed rozpoczęciem pracy

#### BEZPIECZEŃSTWO ELEKTRYCZNE

- W przypadku korzystania z kabla przedłużającego należy zwrócić uwagę, aby był maksymalnie nawinięty na bęben oraz był przystosowany do przewodzenia prądu o natężeniu przynajmniej 16 A
- **W przypadkach gdy pilarka może wejść w kontakt z ukrytymi przewodami elektrycznymi lub z własnym kablem zasilającym, dotykaj wyłącznie jej izolowanych powierzchni (zestknięcie z przewodem pod napięciem spowoduje obecność napięcia na innych metalowych częściach narzędzia i grozi porażeniem operatora)**
- **Aby wykryć ukryte przewody zasilające należy używać stosownych detektorów lub porozumieć się z miejscowymi zakładami energetycznymi (kontakt z przewodami elektrycznymi może doprowadzić do pożaru i porażenia elektrycznego; uszkodzenie przewodu gazowego może doprowadzić do wybuchu; uszkodzenie przewodów instalacji wodociągowej powoduje szkody rzeczowe i może spowodować porażenie elektryczne)**

## BEZPIECZEŃSTWO OSÓB

- W przypadku wadliwego działania mechanicznych lub elektrycznych elementów urządzenia, należy bezzwocznie odłączyć narzędzie i wyjąć wtyczkę
- Narzędzie nie powinno być używane przez dzieci poniżej 16 roku życia
- **Nie należy obrabiać materiału zawierającego azbest** (azbest jest rakotwórczy)
- Pył pochodzący z takich materiałów, jak farby zawierające ołów, niektóre gatunki drzewa, minerały i metal może być szkodliwy (kontakt z nim lub wdychanie takiego pyłu może powodować reakcje alergiczne i/lub niewydolność oddechową u operatora lub osób towarzyszących); **należy zakładać maskę przeciwpyłową i pracować z urządzeniem odsysającym, jeżeli można je podłączyć**
- Niektóre rodzaje pyłu są zaklasyfikowane jako rakotwórcze (takie, jak pył dębu i buka) szczególnie w połączeniu z dodatkami do kondycjonowania drewna; **należy zakładać maskę przeciwpyłową i pracować z urządzeniem odsysającym pył, jeżeli można je podłączyć**
- Należy stosować się do lokalnych wymogów dotyczących pracy w otoczeniu pyłu powstającego podczas obróbki materiału
- **Trzymać ręce z dala od obszaru pracy i ostrza; drugą rękę trzymać na tulei uchwytu H ②** (trzymając piłą obiema rękami zapobiegiesz skaleczeniu się ostrzem)
- **Nie sięgaj ręką pod spód przecinanego materiału** (bliskość ostrza i ręki jest niezauważalna)
- **Nigdy nie trzymaj przecinanego materiału w rękach ani na kolanach** (konieczne jest prawidłowe podparcie części tak, aby zapobiec niebezpieczeństwu skaleczeń, zakleszczeniu się piły czy utracie kontroli)
- **Używać kleszczy lub innych narzędzi do zabezpieczenia i podparcia obrabianego materiału** (trzymanie materiału w ręku lub opieranie go o ciało może prowadzić do utraty kontroli)
- **Nie używaj tępych ani uszkodzonych ostrzy** (wygięte ostrza łatwo się łamią i powodują odszukiwanie narzędzia)
- **Trzymać ręce z dala od obszaru pomiędzy obudową narzędzia i zaciskiem ostrza D ②** (zacisk ostrza może poranić palce)
- **Przed rozpoczęciem cięcia upewnij się, że zacisk ostrza D ② jest mocno zamknięty** (luźny zacisk może spowodować wyslizgnięcie się ostrza i utratę kontroli)
- **Podczas wyjmowania ostrza z narzędzia używać rękawic ochronnych** (ostrze pilarki może być gorące po długotrwałym używaniu)
- Należy stosować okulary ochronne i ochraniacze suchu

## OBJAŚNIENIE SYMBOLI NA NARZĘDZIU

- ③ Przed użyciem przeczytaj instrukcję obsługi
- ④ Podwójna izolacja (brak uziemienia)
- ⑤ Nie wyrzucaj narzędzie wraz z odpadami z gospodarstwa domowego

## UŻYTKOWANIE

- Włącznik/wyłącznik ⑥
- Kontrola prędkości  
Za pomocą pokrętki C ② można regulować szybkość piłowania (6 prędkości)

- Dostosowanie szybkości cięcia do rodzaju materiału ⑦
  - ! **jeśli narzędzie nie porusza się przy pokrętko C ② w położeniu 1, należy wybrać wyższą szybkość cięcia i obniżyć ją z chwilą wprawienia narzędzia w ruch**
- Instalacja ostrza pilarki ⑧
  - ! **wyjąć wtyk z gniazda sieciowego**
  - nacisnąć zacisk ostrza D do przodu i przytrzymać go w tej pozycji
  - włożyć ostrze (z zębami skierowanymi w dół lub w górę) do oporu
  - puścić zacisk ostrza D
  - proszę nieco wysunąć ostrze aż zacisk D wskoczy pod kątem prostym na właściwe miejsce
  - popchnąć i pociągnąć ostrze w celu sprawdzenia, czy jest prawidłowo zablokowane
  - ! **przed rozpoczęciem cięcia upewnij się, że zacisk ostrza D ② jest mocno zamknięty (luźny zacisk może spowodować wyslizgnięcie się ostrza i utratę kontroli)**
  - ! **upewnij się, że przednia część ostrza wystaje na zewnątrz podpórki E na całą długość skoku**
- Usunięcie ostrza pilarki ⑨
  - nacisnąć zacisk ostrza D do przodu i przytrzymać go w tej pozycji
  - proszę wyjąć ostrze
  - puścić zacisk ostrza D
- Regulowana podpórka ⑩
  - podpórka E przechyła się w celu utrzymania maksymalnej powierzchni kontaktu z materiałem
  - wyregulować podpórkę, trzymając mocno pilarkę i obracając podpórkę do wybranej pozycji
- Magazynek ostrz ⑪
  - upewnij się, że magazynek ostrz F jest zamknięty, aby ostrza nie wypadły z niego
- Obsługa narzędzia
  - ! **bezpiecznie unieruchomić obrabiany materiał**
  - zaznaczyć linię cięcia na materiale
  - proszę wybrać odpowiednią prędkość za pomocą pokrętki C ②
  - proszę podłączyć wtyczkę do prądu (lampa B włączy się pokazując, że do narzędzia doprowadzany jest prąd) ⑫
  - trzymać narzędzie jedną ręką za rękkość G ② i drugą ręką za izolowaną tuleję uchwytu H ②
  - włączyć narzędzie
  - ! **narzędzie powinno osiągnąć pełną szybkość przed wprowadzeniem ostrza do materiału**
  - prowadzić narzędzie wzdłuż zaznaczonej linii cięcia
  - mocno przyciskać podpórki E ② do obrabianego materiału w celu zminimalizowania odrzutu i wibracji
- Utrzymywanie i prowadzenie narzędzia
  - ! **podczas pracy zawsze trzymać narzędzie za uchwyt(y) ograniczone sztywnym kolorem ⑬**
  - szczeliny wentylacyjne J ② powinny być odkryte
  - nie przyciskać urządzenia zbyt silnie; pozwól mu pracować dla ciebie
  - ! **upewnij się, że ostrze pilarki wystaje na zewnątrz materiału przy całym skoku ⑭**
- Regulacja efektywnej głębokości cięcia ⑮
  - użyć obu śrub mocujących K w celu przesunięcia podpórki E do przodu/do tyłu, aby zwiększyć/zmniejszyć efektywną głębokość cięcia



! **proszę nie próbować regulować efektywnej długości skoku za pomocą śruby L ustawionej podczas produkcji**

## WSKAZÓWKI UŻYTKOWANIA

- Cięcie wgłębne <sup>(16)</sup>  
Cięcie wgłębne można wykonać w drewnie i innych miękkich materiałach bez wstępnego wiercenia otworu
  - używać grubego ostrza
  - zainstalować ostrze zębami do góry
  - trzymać pilarkę spodem do góry, zgodnie z ilustracją
  - zaznaczyć odpowiednią linię cięcia na materiale
  - proszę wybrać pozycję 1, 2 lub 3 za pomocą pokrętła C
  - odchylić narzędzie tak, aby ostrze nie dotykało materiału
  - włączyć narzędzie i ostrożnie wsunąć pracującą ostrze pilarki do materiału
  - gdy ostrze zagłębi się w materiał, kontynuować cięcie wzdłuż zaznaczonej linii

! **nie ciąć wgłębnie w metalu**

- Używać właściwych brzeszczotów pił <sup>(17)</sup>
- Podczas cięcia metalu regularnie zwilżać olejem brzeszczot piły
- Cięcie bez odupywania krawędzi
  - przed piłowaniem linię cięcia zakleić kilkoma warstwami szerokiej taśmy klejącej
  - eksponowaną stronę piłowanego materiału zawsze układać do dołu
- Więcej wskazówek można znaleźć pod adresem [www.skil.com](http://www.skil.com)

## KONSERWACJA / SERWIS

- Narzędzie nie jest przeznaczone do zastosowań profesjonalnych
- Zawsze dbać o czystość narzędzia i przewodu zasilającego (a szczególnie otworów wentylacyjnych J <sup>(2)</sup>)  
! **przed przystąpieniem do czyszczenia należy wyjąć wtyk z gniazda sieciowego**
- Jeśli narzędzie, mimo dokładnej i wszechstronnej kontroli produkcyjnej ulegnie kiedykolwiek awarii, naprawę powinien przeprowadzić autoryzowany serwis elektronicznej firmy SKIL
  - odesłać **nierozebrany** narzędzie, wraz z dowodem zakupu, do dealera lub do najbliższego punktu usługowego SKIL (adresy oraz diagram serwisowy narzędzenia znajdują się na stronach [www.skil.com](http://www.skil.com))

## ŚRODOWISKO

- **Nie wyrzucać elektronarzędzi, akcesoriów i opakowania wraz z odpadami z gospodarstwa domowego** (dotyczy tylko państw UE)
  - zgodnie z Europejską Dyrektywą 2012/19/WE w sprawie zużytego sprzętu elektrotechnicznego i elektronicznego oraz dostosowaniem jej do prawa krajowego, zużyte elektronarzędzia należy posegregować i zutylizować w sposób przyjazny dla środowiska
  - w przypadku potrzeby pozbycia się narzędzia, akcesoriów i opakowania - symbol <sup>(5)</sup> przypomni Ci o tym

## DEKLARACJA ZGODNOŚCI CE

**Pilarka szablasta 4900**

**Dane techniczne <sup>(1)</sup>**

- Oświadczamy z pełną odpowiedzialnością, że produkt, przedstawiony w "Dane techniczne", odpowiada wymaganiom następujących norm i dokumentów normatywnych: EN 60745, EN 61000, EN 55014, zgodnie z wymaganiami dyrektywy 2004/108/EU (do 19.04.2016), 2014/30/EU (od 20.04.2016), 2006/42/EU, 2011/65/UE
- **Dokumentacja techniczna:** SKIL Europe BV (PT-SEU/ENG1), 4825 BD Breda, NL

Marijn van der Hoofden  
Operations & Engineering

Olaf Dijkgraaf  
Approval Manager

SKIL Europe BV, 4825 BD Breda, NL

12.03.2015

## HAŁASU/WIBRACJE

- Pomiarów dokonano zgodnie z normą EN 60745  
ciśnienie akustyczne narzędzia wynosi 90 dB(A) zaś poziom mocy akustycznej 101 dB(A) (poziom odchylenie: 3 dB), zaś wibracje \* m/s<sup>2</sup> (suma wektorowa z trzech kierunków; błąd pomiaru K = 1,5 m/s<sup>2</sup>)
  - \* podczas cięcia płyty wiórowej 12,1 m/s<sup>2</sup>
  - \* podczas cięcia belki drewnianej 12,2 m/s<sup>2</sup>
- Poziom emisji wibracji został zmierzony zgodnie z testem standaryzowanym podanym w EN 60745; może służyć do porównania jednego narzędzia z innym i jako ocena wstępna narażenia na wibracje w trakcie używania narzędzia do wymienionych zadań
  - używanie narzędzia do innych zadań, lub z innymi albo źle utrzymanymi akcesoriami, może znacząco **zwiększyć** poziom narażenia
  - przypadki, kiedy narzędzie jest wyłączone lub jest czynne, ale aktualnie nie wykonuje zadania, mogą znacząco **zmniejszyć** poziom narażenia
- ! **należy chronić się przed skutkami wibracji przez konserwację narzędzia i jego akcesoriów, zakładanie rękawic i właściwą organizację pracy**

RU

**Сабельная пила**

**4900**

## ВВЕДЕНИЕ

- Данный инструмент предназначен для распилики дерева, пластика, металла и строительных материалов, а также для подрезания ветвей; подходит для выполнения прямых и криволинейных срезов
- Этот инструмент не подходит для промышленного использования
- Прочитайте и сохраните с данной инструкцией <sup>(3)</sup>

## ТЕХНИЧЕСКИЕ ДАННЫЕ <sup>(1)</sup>

## ДЕТАЛИ ИНСТРУМЕНТА ②

- A Выключатель вкл/выкл
- B Индикатор "Питание выключено"
- C Колёсико для регулирования скорости
- D Держатель лезвия
- E Регулируемая опорная поверхность
- F Отсек для лезвий
- G Рукоять
- H Зажим барабана
- J Вентиляционные отверстия
- K Крепежные болты
- L Винт держателя лезвия

## БЕЗОПАСНОСТЬ

### ОСНОВНЫЕ ИНСТРУКЦИИ ПО ТЕХНИКЕ БЕЗОПАСНОСТИ

**⚠ ВНИМАНИЕ!** Прочтите все указания и инструкции по технике безопасности. Упущения, допущенные при соблюдении указаний и инструкций по технике безопасности, могут стать причиной электрического поражения, пожара и тяжелых травм.

**Сохраняйте эти инструкции и указания для будущего использования.** Используемое в настоящих инструкциях и указаниях понятие "электроинструмент" распространяется на электроинструмент с питанием от сети (с кабелем питания от электросети) и на аккумуляторный электроинструмент (без кабеля питания от электросети).

#### 1) БЕЗОПАСНОСТЬ РАБОЧЕГО МЕСТА

- a) **Соблюдайте чистоту и поддерживайте надлежащую освещенность на рабочем месте.** Беспорядок на рабочем месте или его плохое освещение могут привести к несчастным случаям.
- b) **Не используйте с электроинструментом во взрывоопасной среде, т.е. в непосредственной близости от легковоспламеняющихся жидкостей, газов или пыли.** В процессе работы электроинструмент искрит и искры могут воспламенить газы или пыль.
- c) **При работе с электроинструментом не допускайте детей или посторонних на Ваше рабочее место.** Отвлечение Вашего внимания может привести к потере контроля над работой инструмента.

#### 2) ЭЛЕКТРИЧЕСКАЯ БЕЗОПАСНОСТЬ

- a) **Штепсельная вилка кабеля питания электроинструмента должна соответствовать розетке электросети. Не вносите никаких изменений в конструкцию вилки. Не используйте адапторы для электроинструмента с защитным заземлением.** Заводские штепсельные вилки и соответствующие им сетевые розетки существенно снижают вероятность электрошока.
- b) **Избегайте механических контактов с такими заземленными поверхностями, как трубопроводы, системы отопления, плиты и холодильники.** При соприкосновении человека с

заземленными предметами во время работы инструментом вероятность электрошока существенно возрастает.

- c) **Оберегайте электроинструмент от воздействия дождя и влаги.** Попадание воды в электроинструмент повышает вероятность электрического удара.
- d) **Используйте кабель строго по назначению. Не допускается тянуть и передвигать электроинструмент за кабель или использовать кабель для вытягивания вилки из розетки. Оберегайте кабель инструмента от воздействия высоких температур, масла, острых кромок или движущихся частей электроинструмента.** Поврежденный или спутанный кабель повышает возможность электрического удара.
- e) **При работе на улице используйте удлинитель, предназначенный для работы вне помещения.** Использование такого удлинителя снижает вероятность электрического удара.
- f) **Если невозможно избежать применения электроинструмента в сыром помещении, то устанавливайте устройство защиты от утечки в землю.** Использование устройства защиты от утечки в землю снижает риск электрического поражения.

#### 3) ЛИЧНАЯ БЕЗОПАСНОСТЬ

- a) **Будьте внимательны, следите за тем, что Вы делаете и выполняйте работу обдуманно. Не пользуйтесь электроинструментом, если Вы устали или находитесь под воздействием транквилизаторов, алкоголя или медицинских препаратов.** Секундная потеря концентрации в работе с электроинструментом может привести к серьезным травмам.
- b) **Используйте средства индивидуальной защиты. Защитные очки обязательны.** Средства индивидуальной защиты, такие как противопылевой респиратор, нескользящая защитная обувь, шлем-каска, средства защиты органов слуха применяются в соответствующих условиях работы обстоятельствах и минимизируют возможность получения травм.
- c) **Предотвращайте непреднамеренное включение электроинструмента. Перед подключением электроинструмента к электропитанию и/или к аккумулятору убедитесь в выключенном состоянии электроинструмента.** Если Вы при транспортировке электроинструмента держите палец на выключателе или включенный электроинструмент подключаете к сети питания, то это может привести к несчастному случаю.
- d) **Во избежание травм перед включением инструмента удалите регулировочный или гаечный ключ из вращающейся части инструмента.**
- e) **Не переоценивайте свои возможности. Твердо стойте на ногах и удерживайте равновесие.** В таком положении вы сможете лучше контролировать инструмент в неожиданных ситуациях.
- f) **Используйте подходящую рабочую одежду. Не надевайте свободную одежду и украшения. Волосы, одежда и перчатки должны находиться**

подальше от движущихся частей электроинструмента. Свободная одежда, украшения или длинные волосы легко могут попасть в движущиеся части электроинструмента.

- g) **При наличии пылеотсасывающих и пылесборных приспособлений убедитесь в том, что они подсоединены и используются надлежащим образом.** Применение пылеотсоса может снизить опасности, создаваемые пылью.

#### 4) ЭКСПЛУАТАЦИЯ И УХОД ЗА ЭЛЕКТРОИНСТРУМЕНТОМ

- a) **Не перегружайте инструмент. Используйте тот инструмент, который предназначен для данной работы.** С подходящим инструментом Вы выполните работу лучше и надежней, используя весь диапазон его возможностей.

- b) **Не используйте инструмент с неисправным выключателем.** Инструмент с неисправным выключателем опасен и подлежит ремонту.

- c) **До начала наладки электроинструмента, замены принадлежности или прекращения работы отключайте штепсельную вилку от розетки сети и/или выньте аккумулятор.** Данная мера предосторожности предотвращает случайное включение инструмента.

- d) **Храните неиспользуемый электроинструмент в недоступном для детей месте и не позволяйте использовать его лицам, не умеющим с ним обращаться или не ознакомленным с инструкцией по эксплуатации.** Электроинструменты представляют собой опасность в руках неопытных пользователей.

- e) **Электроинструмент требует надлежащего ухода. Проверяйте безупречность функции подвижных частей, лёгкость их хода, целостность всех частей и отсутствие повреждений, которые могут негативно сказаться на работе инструмента. При обнаружении повреждений сдайте инструмент в ремонт.** Большое число несчастных случаев связано с неудовлетворительным уходом за электроинструментом.

- f) **Режущие части инструмента необходимо поддерживать в заточенном и чистом состоянии.** При надлежащем уходе за режущими принадлежностями с острыми кромками они реже заклиниваются и инструмент лучше поддается контролю.

- g) **Используйте электроинструмент, принадлежности, биты и т.д. в соответствии с данными инструкциями, исходя из особенностей условий и характера выполняемой работы.** Использование электроинструмента не по назначению может привести к опасным последствиям.

#### 5) СЕРВИСНОЕ ОБСЛУЖИВАНИЕ

- a) **Передавайте инструмент на сервисное обслуживание только квалифицированному персоналу, использующему только подлинные запасные части.** Это обеспечит сохранение безопасности электроинструмента.

## УКАЗАНИЯ ПО БЕЗОПАСНОСТИ ДИЯ САБЕЛЬНЫЕ ПИЛЫ

### ПРИНАДЛЕЖНО

- SKIL обеспечивает надёжную работу инструмента только при использовании соответствующих приспособлений
- Использовать только принадлежности, предельно допустимая скорость вращения которых не меньше, чем максимальная скорость вращения прибора на холостом ходу

### ПЕРЕД ИСПОЛЬЗОВАНИЕМ

- Обязательно убедитесь, что напряжение питания соответствует напряжению, указанному на фирменном штепселе инструмента
- Избегайте повреждений, которые могут быть вызваны винтами, гвоздями и прочими элементами, находящимися в обрабатываемом предмете; перед началом работы их нужно удалить

### ЭЛЕКТРИЧЕСКАЯ БЕЗОПАСНОСТЬ

- Используйте полностью размотанные и безопасные удлинители, рассчитанные на ток не менее 16 А
- **Во время выполнения операции при возможности контакта инструмента с электропроводной или кабелем инструмента держите инструмент за изолированные поверхности** (контакт с проводом под напряжением делает обнажённые части инструмента опасными и может привести к электрошоку оператора)
- **Используйте подходящие металлодетекторы для нахождения скрытых проводов снабжения или наведите справки в местных предприятиях коммунального хозяйства** (контакт с электропроводкой может привести к пожару и электрическому удару; повреждение газопровода может привести к взрыву; повреждение водопровода может привести к повреждению имущества или вызвать электрический удар)

### ЛИЧНАЯ БЕЗОПАСНОСТЬ

- В случае любой электрической или механической неисправности немедленно выключите инструмент и выньте вилку из розетки
- Инструмент нельзя использовать лицам в возрасте до 16 лет
- **Не обрабатывайте материалы с содержанием асбеста** (асбест считается канцерогеном)
- Пыль от таких материалов, как свинцовосодержащая краска, некоторые породы дерева, минералы и металл, может быть вредна (контакт с такой пылью или ее вдыхание может стать причиной возникновения у оператора или находящихся рядом лиц аллергических реакций и/или респираторных заболеваний); **надевайте респиратор и работайте с пылеудаляющим устройством при включении инструмента**
- Некоторые виды пыли классифицируются как канцерогенные (например, дубовая или буковая пыль), особенно в сочетании с добавками для кондиционирования древесины; **надевайте респиратор и работайте с пылеудаляющим устройством при включении инструмента**

- Следуйте принятым в вашей стране требованиям/ нормативам относительно пыли для тех материалов, с которыми вы собираетесь работать
- **Держите руки в стороне от рабочей зоны и от лезвий; второй рукой держитесь за зажим барабана H ②** (если вы держите пилу обеими руками, опасность повреждения лезвием отпадает)
- **Не подсовывайте руки под изделие** (вы не видите расстояние между лезвием и своей рукой)
- **Никогда не держите изделие в руках или на ногах** (изделие должно быть установлено верно для исключения повреждения тела, заедания лезвия или утраты контроля)
- **Используйте струбцины или другое оборудование для крепления и поддержки изделия** (если держать изделие в руках или прижимать к телу, может произойти потеря управляемости)
- **Не используйте тупые или повреждённые лезвия** (изогнутые лезвия могут легко сломаться или вызвать отдачу)
- **Руки не должны находиться между корпусом изделия и держателем лезвия D ②** (держателем лезвия можно прищемить пальцы)
- **Убедитесь, что держатель лезвия D ② туго затянут**, прежде чем производить распил (слабо затянутый держатель может привести к выскальзыванию инструмента или лезвия с последующей потерей управляемости)
- **Используйте защитные перчатки во время снятия лезвия с инструмента** (после длительного использования рабочее лезвие может быть горячим)
- Одевайте защитные очки и средства защиты волос

#### ПОЯСНЕНИЕ К УСЛОВНЫМ ОБОЗНАЧЕНИЯМ НА ИНСТРУМЕНТЕ

- ③ Перед использованием ознакомьтесь инструкцию по применению
- ④ Двойная изоляция (заземляющий провод не требуется)
- ⑤ Не выкидывайте инструмент вместе с бытовым мусором

## ИСПОЛЬЗОВАНИЕ

- Включение/выключение ⑥
- Регулятор скорости  
При помощи регулировочного ролика C ② скорость резания можно регулировать от низкой до высокой (6 положений)
- Регулировка скорости в зависимости от материала ⑦  
**! если инструмент не работает, когда ручна C ② в положении 1, установите более высокую скорость и понизьте скорость пиления во время работы инструмента**
- Установка лезвия пилы ⑧  
**! разъединить штепсельный разъём**  
- направьте держатель лезвия D вперёд и удерживайте его в этом положении  
- вставьте лезвие (зубцами вверх или вниз) на максимальную глубину  
- отпустите держатель лезвия D  
- немного вытащите лезвие, пока держатель D не защелкнется в положении под прямым углом

- толкните и потяните лезвие, чтобы проверить, правильно ли оно защёлкнулось
- ! убедитесь, что держатель лезвия D ② туго затянут, прежде чем производить распил (слабо затянутый держатель может привести к выскальзыванию инструмента или лезвия с последующей потерей управляемости)**
- ! убедитесь, что передняя часть лезвия выступает за опорную поверхность E на всю длину хода**
- Снятие лезвия пилы ⑨
  - направьте держатель лезвия D вперёд и удерживайте его в этом положении
  - вытащите лезвие
  - отпустите держатель лезвия D
- Регулируемая опорная поверхность ⑩
  - опорную поверхность E можно наклонять, чтобы она как можно полнее соприкасалась с изделием
  - отрегулируйте опорную поверхность, плотно держа при этом пилу и поворачивая поверхность в нужное положение
- Отсек для лезвий ⑪
  - убедитесь, что отсек F закрыт, чтобы предотвратить выпадение лезвий
- Использование инструмента  
**! прочно закрепите изделие**
  - отметьте линию распила на изделии
  - выберите желаемую скорость резания, используя регулировочный ролик C ②
  - подключите штепсель к источнику питания (загорается лампочка B, указывая на то, что инструмент включен) ⑫
  - держите инструмент одной рукой за рукоятку G ②, а другой - за изолированный зажим барабана H ②
  - включите инструмент
  - ! перед соприкосновением лезвия с изделием инструмент должен работать на полной скорости**
  - направляйте инструмент вдоль отмеченной линии распила
  - опорная поверхность E ② должна плотно прилегать к изделию, чтобы уменьшить отдачу и вибрацию
- Удерживание и направление инструмента  
**! во время работы, всегда держите инструмент за места правильного хвата, которые обозначены серым цветом ⑬**
  - содержите вентиляционные отверстия J ② не закрытыми
  - не прилагайте чрезмерных усилий к инструменту, дайте инструменту поработать за Вас
  - ! убедитесь, что ход пильного лезвия достаточен для обрабатываемого изделия ⑭**
- Регулировка эффективной глубины пропила ⑮
  - используйте оба крепежных болта K для того, чтобы сдвинуть опорную поверхность E вперед/назад с целью увеличения/сокращения эффективной глубины пропила
  - ! не пытайтесь отрегулировать оптимальную длину хода при помощи винта L, отрегулированного при изготовлении**

## СОВЕТЫ ПО ИСПОЛЬЗОВАНИЮ

- Глубокое пиление <sup>16</sup>  
Глубокое пиление можно производить на изделиях из дерева и других мягких материалов без предварительного просверливания отверстия
  - используйте толстые лезвия
  - установите лезвие зубцами вверх
  - держите пилу вверх ногами, как показано
  - отметьте необходимую линию распила на изделии
  - при помощи регулировочного ролика С выберите положение 1, 2 или 3
  - наклоните инструмент так, чтобы лезвие не касалось изделия
  - включите инструмент, осторожно поднесите движущееся пильное лезвие к изделию и начните работу
  - после прикосновения лезвия к изделию продолжайте пиление вдоль отмеченной линии распила

### ! не производите глубокое пиление металлических материалов

- Используйте соответствующие пилки <sup>17</sup>
- При работе с металлами регулярно смазывайте пилки маслом
- Пропил без расщепления
  - наклейте несколько слоёв широкой ленты на линию разреза
  - всегда режьте по противоположной (тыльной) стороне материала
- См дополнительную информацию на сайте [www.skil.com](http://www.skil.com)

## ТЕХОБСЛУЖИВАНИЕ / СЕРВИС

- Данный инструмент не подходит для промышленного использования
- Всегда содержите инструмент и его шнур в чистоте (особенно вентиляционные отверстия J <sup>2</sup>)

### ! перед чисткой инструмента выньте вилку из розетки

- Если инструмент, несмотря на тщательные методы изготовления и испытания, выйдет из строя, то ремонт следует производить силами авторизованной сервисной мастерской для электроинструментов фирмы SKIL
  - отправьте **неразобранный** инструмент со свидетельством покупки Вашему дилеру или в ближайшую станцию обслуживания фирмы SKIL (адреса и схема обслуживания инструмента приведены в вебсайте [www.skil.com](http://www.skil.com))

## ОХРАНА ОКРУЖАЮЩЕЙ СРЕДЫ

- **Не выкидывайте электроинструмент, принадлежности и упаковку вместе с бытовым мусором** (только для стран ЕС)
  - во исполнение европейской директивы 2012/19/ЕС об утилизации отслужившего свой срок электрического и электронного оборудования и в соответствии с действующим законодательством, утилизация электроинструментов производится отдельно от других отходов на предприятиях,

соответствующих условиям экологической безопасности

- значок <sup>5</sup> напомним Вам об этом, когда появится необходимость сдать электроинструмент на утилизацию

## ДЕКЛАРАЦИЯ О СООТВЕТСТВИИ СТАНДАРТАМ СЕ

### Сабельная пила 4900

#### Технические данные <sup>1</sup>

- С полной ответственностью мы заявляем, что описанный в разделе "Технические данные" продукт соответствует нижеследующим стандартам или нормативным документам: EN 60745, EN 61000, EN 55014 согласно положениям директив 2004/108/EC (до 19.04.2016), 2014/30/EC (начиная с 20.04.2016), 2006/42/EC, 2011/65/EC
- **Техническая документация у:** SKIL Europe BV (PT-SEU/ENG1), 4825 BD Breda, NL

Marijn van der Hoofden  
Operations & Engineering

Olaf Dijkgraaf  
Approval Manager

SKIL Europe BV, 4825 BD Breda, NL

12.03.2015

- Информация о сертификате соответствия расположена на последней странице настоящей Инструкции
- Сертификаты соответствия хранятся по адресу: ООО "Роберт БOSH" ул. Акад. Королёва, 13, стр. 5 Россия, 129515, Москва

### С января 2014 г.

Вашутинское шоссе, влад. 36  
Россия, 141446 г.о. Химки

- **Дата производства** указана на последней странице настоящей инструкции
- Информацию об **импортере** изделия можно найти на упаковке

## ШУМНОСТИ/ВИБРАЦИИ

- При измерении в соответствии со стандартом EN 60745 уровень звукового давления для этого инструмента составляет 90 дБ (А) и уровень звуковой мощности - 101 дБ (А) (стандартное отклонение: 3 дБ), и вибрации - \* м/с<sup>2</sup> (векторная сумма трех направлений; недостоверность K = 1,5 м/с<sup>2</sup>)
  - \* при резке оклеенного картона 12,1 м/с<sup>2</sup>
  - \* при резке деревянных балок со скоростью 12,2 м/с<sup>2</sup>
- Уровень вибрации был измерен в соответствии со стандартизированным испытанием, содержащимся в EN 60745; данная характеристика может использоваться для сравнения одного инструмента с другим, а также для предварительной оценки воздействия вибрации при использовании данного инструмента для указанных целей
  - при использовании инструмента в других целях или с другими/неисправными вспомогательными

приспособленнями рівень впливу вібрації може значительно **підвищатися**

- в періоди, коли інструмент відключений або функціонує без фактичного виконання роботи, рівень впливу вібрації може значительно **знижуватися**

**! захищайте себе від впливу вібрації, підтримуючи інструмент і його допоміжні пристосування в справному стані, підтримуючи руки в теплі, а також правильно організуйте свій робочий процес**

UA

## Шабельна пила

4900

### ВСТУП

- Даний інструмент призначений для розпилення дерева, пластику, металу й будівельних матеріалів, а також для підрізання гілок; інструмент є придатним для виконання прямого та криволінійного розпилювання
- Цей інструмент не придатний для промислового використання
- Прочитайте і збережіть цю Інструкцію з експлуатації ③

### ТЕХНІЧНІ ДАНІ ①

### ЕЛЕМЕНТИ ІНСТРУМЕНТА ②

- A Вимикач живлення
- B Індикатор "Живлення увімкнене"
- C Колесо вибору швидкості
- D Затискач леза пили
- E Регульований поковзень
- F Піхви для лез
- G Руків'я
- H Шийка
- J Вентиляційні отвори
- K Затискні болти
- L Гвинт тримача леза

### БЕЗПЕКА

#### ЗАГАЛЬНІ ВКАЗІВКИ З ТЕХНІКИ БЕЗПЕКИ

**⚠ УВАГА!** Прочитайте всі попередження і вказівки. Недодержання попереджень і вказівок може призводити до удару електричним струмом, пожежі та/або серйозних травм. **Добре зберігайте на майбутнє ці попередження і вказівки.** Під поняттям "електроприлад" в цих попередженнях мається на увазі електроприлад, що працює від мережі (з електрокабелем) або від акумуляторної батареї (без електрокабелю).

#### 1) БЕЗПЕКА НА РОБОЧОМУ МІСЦІ

- a) **Примайте своє робоче місце в чистоті та прибирайте його.** Безлад або погане освітлення на робочому місці можуть призводити до нещасних випадків.

- b) **Не працюйте з приладом у середовищі, де існує небезпека вибуху внаслідок присутності горючих рідин, газів або пилу.** Електроприлади можуть породжувати іскри, від яких може займатися пил або пари.

- c) **Під час працювання з приладом не підпускайте до робочого місця дітей та інших людей.** Ви можете втратити контроль над приладом, якщо Ваша увага буде відвернута.

#### 2) ЕЛЕКТРИЧНА БЕЗПЕКА

- a) **Штепсель приладу повинен пасувати до розетки. Не дозволяється що-небудь міняти в штепселі.** Для роботи з приладами, що мають захисне заземлення, не використовуйте адаптери. Використання оригінального штепселя та належної розетки зменшує ризик удару електричним струмом.
- b) **Уникайте контакту частей тіла із заземленими поверхнями, як напр., трубами, батареями опалення, печами та холодильниками.** Коли Ваше тіло заземлене, існує збільшена небезпека удару електричним струмом.
- c) **Захищайте прилад від дощу та вологи.** Попадання води в електроінструмент збільшує ризик удару електричним струмом.
- d) **Не використовуйте кабель для перенесення приладу, підвішування або витягування штепселя з розетки. Захищайте кабель від жару, іскри, гострих країв та деталей приладу, що рухаються.** Пошкодження або зачурений кабель збільшує ризик удару електричним струмом.
- e) **Для зовнішніх робіт обов'язково використовуйте лише такий подовжувач, що допущений для зовнішніх робіт.** Використання подовжувача, що розрахований на зовнішні роботи, зменшує ризик удару електричним струмом.
- f) **Якщо не можна запобігти використанню електроприладу у вологому середовищі, використовуйте пристрій захисту від витоків в землю.** Використання зрострою захисту від витоків в землю зменшує ризик удару електричним струмом.

#### 3) БЕЗПЕКА ЛЮДЕЙ

- a) **Будьте уважними, слідуйте за тим, що Ви робите, та розсудливо поведіться під час роботи з електроприладом. Не користуйтеся приладом, якщо Ви стомлені або знаходитесь під дією наркотиків, спиртних напоїв або лік.** Мить неувважності при користуванні приладом може призводити до серйозних травм.
- b) **Вдягайте особисте захисне спорядження та обов'язково вдягайте захисні окуляри.** Вдягання особистого захисного спорядження, як напр., - в залежності від виду робіт - захисної маски, спецвзуття, що не ковзається, каски або навушників, зменшує ризик травм.
- c) **Уникайте ненавмисного вмикання. Перш ніж вмикати електроприлад в електромережу або встромляти акумуляторну батарею, брати його в руки або переносити, впевніться в тому, що електроприлад вимкнений.** Тримання пальця на вимикачі під час перенесення електроприладу або встромляння в розетку увімкнутого приладу може призводити до травм.

- d) **Перед тим, як вмикати прилад, приберіть налагоджувальні інструменти та гайковий ключ.** Знаходження налагоджувального інструмента або ключа в деталі, що обертається, може призводити до травм.
- e) **Не переоцінюйте себе. Зберігайте стійке положення та завжди зберігайте рівновагу.** Це дозволить Вам краще зберігати контроль над приладом у несподіваних ситуаціях.
- f) **Вдягайте придатний одяг. Не вдягайте просторий одяг та прикраси. Не підставляйте волосся, одяг та рукавиці близько до деталей приладу, що рухаються.** Просторий одяга, прикраси та довге волосся можуть попадати в деталі, що рухаються.
- g) **Якщо існує можливість монтувати пиловідсмоктувальні або пилоуловлювальні пристрої, переконайтеся, щоб вони були добре під'єднані та правильно використовувалися.** Використання пиловідсмоктувального пристрою може зменшити небезпеки, зумовлені пилом.
- 4) ПРАВИЛЬНЕ ПОВЕДІННЯ ТА КОРИСТУВАННЯ ЕЛЕКТРОПРИЛАДАМИ**
- a) **Не перевантажуйте прилад. Використовуйте такий прилад, що спеціально призначений для певної роботи.** З придатним приладом Ви з меншим ризиком отримаєте кращі результати роботи, якщо будете працювати в зазначеному діапазоні потужності.
- b) **Не користуйтеся приладом з пошкодженим вимикачем.** Прилад, який не можна увімкнути або вимкнути, є небезпечним і його треба відремонтувати.
- c) **Перед тим, як регулювати що-небудь на приладі, міняти приладдя або ховати прилад, витягніть штепсель із розетки та/або витягніть акумуляторну батарею.** Ці попереджувальні заходи з техніки безпеки зменшують ризик ненавмисного запуску приладу.
- d) **Зберігайте електроприлади, якими Ви саме не користуєтесь, далеко від дітей. Не дозволяйте користуватися електроприладом особам, що не знайомі з його роботою або не читали ці вказівки.** У разі застосування недосвідченими особами прилади несуть в собі небезпеку.
- e) **Старанно доглядайте за приладом. Перевірте, щоб рухомі деталі приладу бездоганно працювали та не заїдали, не були поламаними або настільки пошкодженими, щоб це могло вплинути на функціонування приладу.** Пошкоджені деталі треба відремонтувати в авторизованій майстерні, перш ніж ними можна знову користуватися. Велика кількість нещасних випадків спричиняється поганим доглядом за електроприладами.
- f) **Тримайте різальні інструменти добре нагостреними та в чистоті.** Старанно доглянуті різальні інструменти з гострим різальним краєм менше застряють та їх легше вести.
- g) **Використовуйте електроприлади, приладдя до них, робочі інструменти т.і. відповідно до цих вказівок.** Беріть до уваги при цьому умови

**роботи та специфіку виконуваної роботи.** Використання електроприладів для робіт, для яких вони не передбачені, може призводити до небезпечних ситуацій.

## **5) СЕРВІС**

- a) **Віддавайте свій прилад на ремонт лише кваліфікованим фахівцям та лише з використанням оригінальних запчастин.** Це забезпечить безпечність приладу на довгий час.

## **ВКАЗІВКИ ПО БЕЗПЕЦІ ДЛЯ ШАБЕЛЬНИ ПИЛКИ**

### **АНКСЕСУАРИ**

- SKIL гарантує надійну роботу інструмента тільки при використанні відповідного приладдя
- Використовуйте лише приладдя, припустима швидкість обертання якого як мінімум відповідає найвищій швидкості інструмента без навантаження

### **ПЕРЕД ВИКОРИСТАННЯМ**

- Перед роботою перевірте відповідність струму в мережі із струмом, позначені на інструменті
- Не допускайте пошкоджень, які можуть нанести шурупи, цвяхи і інші елементи вашою виробу; видаліть їх перед початком роботи

### **ЕЛЕКТРИЧНА БЕЗПЕКА**

- Використовуйте повністю розгорнений шнур подовжувача, який може витримувати навантаження в 16 Ампер
- Під час експлуатації тримайте інструмент за відповідні ізольовані поверхні, якщо інструмент може увійти в контакт із прихованою проводкою або власним шнуром (контакт з дротом під напругою призведе до проходження електричного струму через металеві деталі інструменту та ураженню оператора)
- Використовуйте придатні пошукові прилади для знаходження захарованих в будівлі труб та кабелів або зверніться за допомогою в місцеве підприємство електро-, газо- та водопостачання (зачеплення електропроводки може призводити до пожежі та удару електричним струмом; зачеплення газової труби може призводити до вибуху; зачеплення водопровідної труби може завдати шкоду матеріальним цінностям або призводити до удару електричним струмом)

### **БЕЗПЕКА ЛЮДЕЙ**

- У разі електричної або механічної несправності, негайно відключите інструмент і вимкніть з розетки
- Цей інструмент не можна використовувати особам віком до 16 років
- **Не обробляйте матеріали, що містять асбест** (асбест вважається канцерогенним)
- Пил від таких матеріалів, як свинцовоутримуюча фарба, деякі породи дерева, мінерали й метал, може бути шкідливим (контакт із таким пилом або його вдихання може стати причиною виникнення в оператора або осіб, що перебувають поруч, алергічних реакцій і/або респіраторних захворювань); **надягайте респіратор і працюйте з пиловидальючим пристроєм під час увімкнення інструмента**
- Деякі види пилу класифікуються як канцерогенні (наприклад, дубовий або буковий пил), особливо в

сполученні з добавками для кондиціонування деревини; **надягайте респіратор і працюйте з пиловидальючим пристроєм під час увімкнення інструмента**

- Слідуйте інструкціям по роботі з матеріалами, продуцуючими пил
  - **Не підносьте рук до зони різання та леза пилки; тримати другу руку на шийці Н ②** (якщо тримати пилу обома руками, їх неможливо порізати лезом)
  - **Не просовуйте руки під виріб, що розпилюється** (відстань від леза до руки неможливо побачити)
  - **Ніколи не тримайте виріб, що розпилюється, в руках або на колінах** (важливо правильно розташувати виріб, щоб звести до мінімуму можливість контакту пили з частинами тіла, заїдання леза пили або втрати контролю)
  - **Застосовуйте затискачі або інше приладдя для фіксації та опори виробу** (затискання виробу руками або з притисканням до тіла може призвести до втрати контролю за інструментом та поранення)
  - **Не використовуйте путі або ушкоджені леза** (зігнуті леза легко ламаються або спричиняють відскакування)
  - **Не підносьте рук до зони між корпусом та затискачем леза пилки D ②** (затискач леза пилки може притиснути пальці)
  - **Перед початком пиляння переконайтеся, що затискач леза пилки D ② щільно затягнутий** (незатягнутий затискач може спричинити ковзання інструмента або леза пилки з втратою контролю за інструментом та поранення як наслідок)
  - **Одягайте захисні рукавиці перед зніманням леза пилки** (воно може бути гарячим після довгої роботи)
  - Одягайте захисні окуляри та засоби захисту волосся
- ПОЯСНЕННЯ ДО УМОВНИХ ПОЗНАЧОК НА ІНСТРУМЕНТІ**

- ③ Перед використанням прочитайте інструкцію із застосування
- ④ Подвійна ізоляція (заземлюючий провід не потрібен)
- ⑤ Не викидайте інструмент разом зі звичайним сміттям

## ВИКОРИСТАННЯ

- Вмикання/вимикання ⑥
- Регулятор швидкості  
За допомогою регулювального ролика С ② швидкість різання можна регулювати від низької до високої (6 положень)
- Вибір швидкості розпилювання відповідно до використовуюваного матеріалу ⑦
- **! якщо інструмент не працює, коли механізм С ② встановлено у положення 1, виберіть вищу швидкість розпилювання і зменште швидкість у процесі роботи інструмента**
- Підготовка леза пилки ⑧
- **! виїняти вилку з розетки**
  - натисніть затискач леза пилки D вперед і утримуйте його в цьому положенні
  - вставте лезо (зубцями донизу або догори) на максимальну глибину
  - звільніть затискач леза пилки D
  - трохи витягніть лезо, поки затискач D не клацне у положенні під прямим кутом

- похитайте лезо пилки вперед-назад для перевірки правильності фіксації

**! перед початком пиляння переконайтеся, що затискач леза пилки D ② щільно затягнутий (незатягнутий затискач може спричинити ковзання інструмента або леза пилки з втратою контролю за інструментом та поранення як наслідок)**

**! переконайтеся, що передній край леза пилки вільно проходить крізь поковзень E на усій довжині ходу**

- Зняття леза пилки ⑨
  - натисніть затискач леза пилки D вперед і утримуйте його в цьому положенні
  - витягніть лезо
  - звільніть затискач леза пилки D
- Регульований поковзень ⑩
  - можна змінювати нахил поковзня E для досягнення максимальної площі його контакту з виробом
  - регулювання поковзня виконуйте, міцно утримуючи пилку протягом повертання поковзня до потрібної позиції
- Півхи для лез ⑪
  - щоб уникнути випадання лез, переконайтеся, що півхи F надійно закриті
- Використання інструменту
  - **! надійно зафіксуйте виріб**
    - позначте лінію розпилювання на виробі
    - оберіть бажану швидкість різання, використовуючи регулювальний ролик С ②
    - підключіть штепсель до джерела живлення (загоряється лампочка В, указуючи на те, що інструмент увімкнений) ⑫
    - утримуйте інструмент одною рукою за руків'я G ②, а іншою за ізольовану шийку H ②
    - увімкніть інструмент
  - **! перед заходом леза пилки у виріб інструмент має працювати на повній швидкості**
    - спрямовуйте інструмент за позначеною лінією розпилювання
    - тримайте поковзень E ② міцно притисненим до виробу для зменшення сил протидії та вібрацій
  - Утримування і робота інструментом
    - **! під час роботи, завжди тримайте інструмент за частини захвату сірого кольору ⑬**
      - тримайте вентиляційні отвори J ② незакритими
      - не тисніть на інструмент; дайте інструменту можливість працювати за вас
    - **! переконайтеся, що лезо пилки виходить з виробу протягом усього ходу ⑭**
  - Регулювання ефективної глибини розпилю ⑮
    - використовуйте обидва затиски болти K для того, щоб зрушити поковзень E уперед/назад з метою збільшення/зменшення ефективної глибини розпилю
  - **! не намагайтеся настроїти оптимальну довжину ходу за допомогою гвинта L, відрегульованого під час виготовлення**



## ПОРАДИ ПО ВИКОРИСТАННЮ

- Врізне пиляння <sup>16</sup>  
Врізне пиляння може виконуватися у деревину та інші м'які матеріали без попереднього свердлування отвору
  - застосовуйте товсті леза пилки
  - встановіть лезо зубцями догори
  - тримайте пилку рухів'ям догори, як показано
  - позначте потрібну лінію розпилювання на виробі
  - за допомогою регульовального ролика С виберіть положення 1, 2 або 3
  - нахиліть інструмент таким чином, щоб лезо пилки не торкалося виробу
  - ввімкніть інструмент та обережно виконайте врізання працюючим лезом пилки до виробу
  - після проходу леза крізь виріб продовжуйте пиляння за позначеною лінією розпилювання
- ! **не робіть врізання у металеві вироби**
- Використовуйте відповідні пилки <sup>17</sup>
- Під час різки металів регулярно змащуйте пилку маслом
- Пропил без трісок
  - наклейте декілька шарів широкої стрічки на лінію розрізу
  - завжди різте по протилежному (тильному) боці матеріалу
- Див додаткову інформацію на [www.skil.com](http://www.skil.com)

## ДОГЛЯД/ОБСЛУГОВУВАННЯ

- Цей інструмент не придатний для промислового використання
- Завжди тримайте інструмент та його шнур в чистоті (особливо вентиляційні отвори J <sup>2</sup>)  
! **перед чисткою інструменту необхідно роз'єднати штепсельний роз'єм**
- Якщо незважаючи на ретельну технологію виготовлення і перевірки інструмент все-таки вийде з ладу, його ремонт дозволяється виконувати лише в авторизованій сервісній майстерні для електроприладів SKIL
  - надішліть **нерозібраний** інструмент разом з доказом купівлі до Вашого дилера або до найближчого центру обслуговування SKIL (адреси, а також діаграма обслуговування пристрою, подаються на сайті [www.skil.com](http://www.skil.com))

## ОХОРОНА НАВКОЛИШНЬОЇ СЕРЕДИ

- **Не викидайте електроінструмент, належності та упаковку разом зі звичайним сміттям** (тільки для країн ЄС)
  - відповідно до європейської директиви 2012/19/ЄС щодо утилізації старих електричних та електронних приладів, в залежності з місцевим законодавством, електроінструмент, який перебував в експлуатації повинен бути утилізований окремо, безпечним для навколишнього середовища шляхом
  - малюнок <sup>5</sup> нагадає вам про це

## ДЕКЛАРАЦІЯ ПРО ВІДПОВІДНІСТЬ СТАНДАРТАМ СЕ

### Шабельна пилка 4900

#### Технічні дані <sup>1</sup>

- Ми заявляємо під нашу виключну відповідальність, що описаний в "Технічні дані" продукт відповідає таким нормам або нормативним документам: EN 60745, EN 61000, EN 55014 у відповідності до положень директив 2004/108/EG (до 19.04.2016 р.), 2014/30/EC (після 20.04.2016 р.), 2006/42/EG, 2011/65/EC
- **Технічні документи в:** SKIL Europe BV (PT-SEU/ENG1), 4825 BD Breda, NL

Marijn van der Hoofden      Olaf Dijkgraaf  
Operations & Engineering      Approval Manager

SKIL Europe BV, 4825 BD Breda, NL

12.03.2015

### ШУМ/ВІБРАЦІЯ

- Зміряний відповідно до EN 60745 рівень тиску звуку даного інструменту 90 дБ(А) і потужність звуку 101 дБ(А) (стандартне відхилення: 3 дБ), і вібрація \* м/с<sup>2</sup> (векторна сума трьох напрямків; похибка K = 1,5 м/с<sup>2</sup>)
  - \* при різанні ламінованими дошками 12,1 м/с<sup>2</sup>
  - \* при різанні дерев'яної балки 12,2 м/с<sup>2</sup>
- Рівень вібрації було виміряно у відповідності зі стандартизованим випробуванням, що міститься в EN 60745; дана характеристика може використовуватися для порівняння одного інструмента з іншим, а також для попередньої оцінки впливу вібрації під час застосування даного інструмента для вказаних цілей
  - при використанні інструмента в інших цілях або з іншими/несправними допоміжними пристосуваннями рівень впливу вібрації може значно **підвищуватися**
  - у періоди, коли інструмент вимкнений або функціонує без фактичного виконання роботи, рівень впливу вібрації може значно **знижуватися**
- ! **захищайте себе від впливу вібрації, підтримуючи інструмент і його допоміжні пристосування в справному стані, підтримуючи руки в теплі, а також правильно організовуючи свій робочий процес**

GR

Σπαθόςεγα

4900

ΕΙΣΑΓΩΓΗ

- Το εργαλείο αυτό προορίζεται για κοπή ξύλου, πλαστικού, μετάλλου και κατασκευαστικών υλικών, καθώς και για το κλάδεμα δέντρων - είναι κατάλληλο για ευθεία και κυκλική κοπή

- Αυτό το εργαλείο δεν προορίζεται για επαγγελματική χρήση
- Διαβάστε και φυλάξτε αυτές τις οδηγίες χρήσεως ③

## ΤΕΧΝΙΚΑ ΧΑΡΑΚΤΗΡΙΣΤΙΚΑ ①

### ΜΕΡΗ ΤΟΥ ΕΡΓΑΛΕΙΟΥ ②

- A Διακόπτης εκκίνησης/στάσης
- B Ένδειξη “Ενεργοποίηση”
- C Τροχίσκος επιλογής ταχύτητας
- D Σφικτήρας λεπίδας
- E Ρυθμιζόμενο έλασμα έδρασης
- F Χώρος αποθήκευσης λεπίδας
- G Χειρολαβή
- H Βαρελωτή λαβή
- J Σχισμές αερισμού
- K Κοχλίες στερέωσης
- L Βίδα συγκράτησης λεπίδας

## ΑΣΦΑΛΕΙΑ

### ΓΕΝΙΚΕΣ ΥΠΟΔΕΙΞΕΙΣ ΑΣΦΑΛΕΙΑΣ

**▲ ΠΡΟΕΙΔΟΠΟΙΗΣΗ! Διαβάστε όλες τις προειδοποιητικές υποδείξεις.** Αμέλειες κατά την τήρηση των προειδοποιητικών υποδείξεων μπορεί να προκαλέσουν ηλεκτροπληξία, κίνδυνο πυρκαγιάς ή/και σοβαρούς τραυματισμούς. **Φυλάξτε όλες τις προειδοποιητικές υποδείξεις και οδηγίες για κάθε μελλοντική χρήση.** Ο ορισμός “ηλεκτρικό εργαλείο” που χρησιμοποιείται στις προειδοποιητικές υποδείξεις αναφέρεται σε ηλεκτρικά εργαλεία που τροφοδοτούνται από το ηλεκτρικό δίκτυο (με ηλεκτρικό καλώδιο) καθώς και σε ηλεκτρικά εργαλεία που τροφοδοτούνται από μπαταρία (χωρίς ηλεκτρικό καλώδιο).

### 1) ΑΣΦΑΛΕΙΑ ΣΤΟ ΧΩΡΟ ΕΡΓΑΣΙΑΣ

- a) **Διατηρείτε το χώρο που εργάζεσθε καθαρό και καλά φωτισμένο.** Αταξία στο χώρο που εργάζεσθε ή μη φωτισμένες περιοχές εργασίας μπορεί να οδηγήσουν σε ατυχήματα.
- b) **Μην εργάζεσθε με το ηλεκτρικό εργαλείο σε περιβάλλον που υπάρχει κίνδυνος έκρηξης, στο οποίο υπάρχουν εύφλεκτα υγρά, αέρια ή σκόνη.** Τα ηλεκτρικά εργαλεία μπορεί να δημιουργήσουν σπινθηρισμό ο οποίος μπορεί να αναφλέξει τη σκόνη ή τις αναθυμιάσεις.
- c) **Όταν χρησιμοποιείτε το ηλεκτρικό εργαλείο κρατάτε τα παιδιά κι άλλα τυχόν πρόσωπα μακριά από το χώρο που εργάζεσθε.** Σε περίπτωση που άλλα άτομα αποσπάσουν την προσοχή σας μπορεί να χάσετε τον έλεγχο του μηχανήματος.

### 2) ΗΛΕΚΤΡΙΚΗ ΑΣΦΑΛΕΙΑ

- a) **Το φως του καλωδίου του ηλεκτρικού εργαλείου πρέπει να ταιριάζει στην αντίστοιχη πρίζα. Δεν επιτρέπεται με κανένα τρόπο η μετασκευή του φως. Μη χρησιμοποιείτε προσαρμωστικά φως σε συνδυασμό με ηλεκτρικά εργαλεία συνδεδεμένα με τη γη (γειωμένα).** Αθικτα φως και κατάλληλες πρίζες μειώνουν τον κίνδυνο ηλεκτροπληξίας.
- b) **Αποφεύγετε την επαφή του σώματος σας με γειωμένες επιφάνειες όπως σωλήνες, θερμοκρασίες**

**σώματα (καλοριφέρ), κουζίνες και ψυγεία.** Όταν το σώμα σας είναι γειωμένο αυξάνεται ο κίνδυνος ηλεκτροπληξίας.

- c) **Μην εκθέτετε το ηλεκτρικό εργαλείο στη βροχή ή την υγρασία.** Η διείσδυση νερού στο ηλεκτρικό εργαλείο αυξάνει τον κίνδυνο ηλεκτροπληξίας.
  - d) **Μη χρησιμοποιείτε το καλώδιο για να μεταφέρετε ή ν' αναρτήσετε το ηλεκτρικό εργαλείο ή για να βγάλετε το φως από την πρίζα. Κρατάτε το καλώδιο μακριά από υψηλές θερμοκρασίες, λάδια, κοφτερές ακμές ή κινούμενα εξαρτήματα.** Τυχόν χαλασμένα ή μη περδεδμένα καλώδια αυξάνουν τον κίνδυνο ηλεκτροπληξίας.
  - e) **Όταν εργάζεσθε με το ηλεκτρικό εργαλείο στο ύπαιθρο χρησιμοποιείτε πάντοτε καλώδια επιμήκυνσης (μπαλαντάζες) που έχουν εγκριθεί για χρήση σε εξωτερικούς χώρους.** Η χρήση καλωδίων επιμήκυνσης εγκριμένων για εργασία σε εξωτερικούς χώρους μειώνει τον κίνδυνο ηλεκτροπληξίας.
  - f) **Όταν η χρήση του ηλεκτρικού εργαλείου σε υγρό περιβάλλον είναι αναπόφευκτη, τότε χρησιμοποιήστε έναν προστατευτικό διακόπτη διαρροής.** Η χρήση ενός προστατευτικού διακόπτη διαρροής ελατώνει τον κίνδυνο ηλεκτροπληξίας.
- ### 3) ΑΣΦΑΛΕΙΑ ΠΡΟΣΩΠΩΝ
- a) **Να είσθε πάντοτε προσεκτικός/προσεκτική, να δίνετε προσοχή στην εργασία που κάνετε και να χειρίζεσθε το ηλεκτρικό εργαλείο με περίσκεψη. Μην κάνετε χρήση του ηλεκτρικού εργαλείου όταν είσθε κουρασμένος/κουρασμένη ή όταν βρισκόσθε υπό την επήρση ναρκωτικών, οιονοπνεύματος ή φαρμάκων.** Μια στιγμιαία απροσεξία κατά το χειρισμό του ηλεκτρικού εργαλείου μπορεί να οδηγήσει σε σοβαρούς τραυματισμούς.
  - b) **Φοράτε προστατευτικά ενδύματα και πάντοτε προστατευτικά γυαλιά.** Όταν φοράτε ενδύματα ασφαλείας, ανάλογα με το υπό χρήση ηλεκτρικό εργαλείο, όπως προσωπίδα προστασίας από σκόνη, αντιολισθητικά παπούτσια ασφαλείας, κράνη ή ωτασπίδες, μειώνεται ο κίνδυνος τραυματισμών.
  - c) **Αποφεύγετε την αθέλητη εκκίνηση. Βεβαιωθείτε ότι το ηλεκτρικό εργαλείο έχει αποσυνχτεί πριν το συνδέσετε με το ηλεκτρικό δίκτυο ή/και με την μπαταρία καθώς και πριν το παραλάβετε ή το μεταφέρετε.** Όταν μεταφέρετε το ηλεκτρικό εργαλείο έχοντας το δάχτυλό σας στο διακόπτη ή όταν συνδέσετε το μηχάνημα με την πηγή ρεύματος όταν αυτό είναι ακόμη συζευγμένο, τότε δημιουργείται κίνδυνος τραυματισμών.
  - d) **Αφαιρείτε από τα ηλεκτρικά εργαλεία πριν τα θέσετε σε λειτουργία τυχόν συναρμολογημένα χρησιμοποιήσιμα εργαλεία ή κλειδιά.** Ενα εργαλείο ή κλειδί συναρμολογημένο στο περιστρεφόμενο εξάρτημα ενός ηλεκτρικού εργαλείου μπορεί να οδηγήσει σε τραυματισμούς.
  - e) **Μην υπερκτιμάτε τον εαυτό σας. Φροντίζετε για την ασφαλή στήριξη του σώματος σας και διατηρείτε πάντοτε την ισορροπία σας.** Αυτό σας επιτρέπει τον καλύτερο έλεγχο το ηλεκτρικού εργαλείου σε περιπτώσεις απροσδόκητων καταστάσεων.

- f) **Φοράτε κατάλληλη ενδυμασία εργασίας. Μη φοράτε φαρδιά ενδύματα ή κοσμήματα. Κρατάτε τα μαλλιά σας, τα ενδύματα σας και τα γάντια σας μακριά από τα κινούμενα εξαρτήματα.** Χαλαρή ενδυμασία, κοσμήματα και μακριά μαλλιά μπορεί να εμπλακούν στα κινούμενα εξαρτήματα.
- g) **Αν υπάρχει η δυνατότητα συναρμολόγησης διατάξεων αναρρόφησης ή συλλογής σκόνης, βεβαιωθείτε αν οι διατάξεις αυτές είναι συνδεδεμένες καθώς κι αν χρησιμοποιούνται σωστά.** Η χρήση μιας αναρρόφησης σκόνης μπορεί να ελαττώσει τον κίνδυνο που προκαλείται από τη σκόνη.
- 4) **ΧΡΗΣΗ ΚΙ ΕΠΙΜΕΛΗΣ ΧΕΙΡΙΣΜΟΣ ΤΩΝ ΗΛΕΚΤΡΙΚΩΝ ΕΡΓΑΛΕΙΩΝ**
- a) **Μην υπερφορτώνετε το ηλεκτρικό εργαλείο. Χρησιμοποιείτε για την εκάστοτε εργασία σας το ηλεκτρικό εργαλείο που προορίζεται γι'αυτήν.** Με το κατάλληλο ηλεκτρικό εργαλείο εργάζεστε καλύτερα και ασφαλέστερα στην αναφερόμενη περιοχή ισχύος.
- b) **Μη χρησιμοποιήσετε ποτέ ένα ηλεκτρικό εργαλείο του οποίου ο διακόπτης ON/OFF είναι χαλασμένος.** Ένα ηλεκτρικό εργαλείο το οποίο δεν μπορεί να τεθεί πλέον σε ή εκτός λειτουργίας είναι επικίνδυνο και πρέπει να επισκευαστεί.
- c) **Βγάzte το φως από την πρίζα και/ή αφαιρέστε την μπαταρία πριν διεξάγετε στο εργαλείο μια οποιαδήποτε εργασία ρύθμισης, πριν αλλάξετε ένα εξάρτημα ή όταν πρόκειται να διαφυλάξετε/να αποθηκεύσετε το εργαλείο.** Αυτά τα προληπτικά μέτρα ασφαλείας μειώνουν τον κίνδυνο από τυχόν αθέλητη εκκίνηση του ηλεκτρικού εργαλείου.
- d) **Διαφυλάγετε τα ηλεκτρικά εργαλεία που δε χρησιμοποιείτε μακριά από παιδιά. Μη αφήνετε άτομα που δεν είναι εξοικειωμένα με το ηλεκτρικό εργαλείο ή δεν έχουν διαβάσει αυτές τις οδηγίες να το χρησιμοποιήσουν.** Τα ηλεκτρικά εργαλεία είναι επικίνδυνα όταν χρησιμοποιούνται από άπειρα πρόσωπα.
- e) **Να περιποιήστε προσεκτικά το ηλεκτρικό σας εργαλείο και να ελέγχετε, αν τα κινούμενα τμήματα του λειτουργούν άψογα και δεν μπλοκάρουν, ή μήπως έχουν χαλάσει ή σπάσει εξαρτήματα, τα οποία επηρεάζουν έτσι αρνητικά τον τρόπο λειτουργίας του ηλεκτρικού εργαλείου. Δώστε τυχόν χαλασμένα εξαρτήματα του ηλεκτρικού εργαλείου για επισκευή πριν το χρησιμοποιήσετε πάλι.** Η ανεπαρκής συντήρηση των ηλεκτρικών εργαλείων αποτελεί αιτία πολλών ατυχημάτων.
- f) **Διατηρείτε τα κοπτικά εργαλεία κοφτερά και καθαρά.** Τα κοπτικά εργαλεία που συντηρούνται με προσοχή μπορούν να οδηγηθούν εύκολα και να ελεγχθούν καλύτερα.
- g) **Χρησιμοποιείτε τα ηλεκτρικά εργαλεία, τα εξαρτήματα, τα χρησιμοποιήσιμα εργαλεία κτλ. σύμφωνα με τις παρούσες οδηγίες καθώς. Λαμβάνετε ταυτόχρονα υπόψην σας τις συνθήκες εργασίας και την υπό εκτέλεση εργασία.** Η χρήση του ηλεκτρικού εργαλείου για άλλες εκτός από τις προβλεπόμενες εργασίες μπορεί να δημιουργήσει επικίνδυνες καταστάσεις.

## 5) SERVICE

- a) **Δίνετε το ηλεκτρικό σας εργαλείο για επισκευή από άριστα ειδικευμένο προσωπικό, μόνο με γνήσια ανταλλακτικά.** Ετσι εξασφαλίζεται η διατήρηση της ασφαλείας του ηλεκτρικού εργαλείου.

## ΥΠΟΔΕΙΞΕΙΣ ΑΣΦΑΛΕΙΑΣ ΓΙΑ ΣΠΑΘΟΣΕΓΓΕΣ

### ΕΞΑΡΤΗΜΑΤΑ

- Η SKIL εγγυάται την τέλεια λειτουργία του εργαλείου μόνο όταν χρησιμοποιούνται αυθεντικά εξαρτήματα
- Χρησιμοποιείτε μόνο εξαρτήματα των οποίων ο ύψιστος επιτρεπτός αριθμός στροφών είναι τουλάχιστον τόσο υψηλός, όσο ο ύψιστος αριθμός στροφών χωρίς φορτίο του εργαλείου

### ΠΡΙΝ ΑΠΟ ΤΗ ΧΡΗΣΗ

- Βεβαιωθείτε ότι η τάση του παρεχόμενου ρεύματος είναι ίδια με την τάση που υποδεικνύεται στην πινακίδα δεδομένων του εργαλείου
- Προφυλάξτε το εργαλείο από τυχόν φθορές από ξένα σώματα (βίδες, καρφιά ή άλλα) που ίσως είναι μέσα στο κομμάτι που θα δουλέψετε - αφαιρέστε τα πριν αρχίσετε την εργασία

### ΗΛΕΚΤΡΙΚΗ ΑΣΦΑΛΕΙΑ

- Χρησιμοποιείτε ασφαλείς, τελειώς ξετυλιγμένες προεκτάσεις καλωδίου με χωρητικότητα 16 Amps
- **Κρατάτε το εργαλείο από τις μονωμένες λαβές όταν εκτελείτε εργασίες κατά τις οποίες το κοπτικό εργαλείο ενδέχεται να έρθει σε επαφή με μη ορατές καλωδιώσεις ή με το δικό του καλώδιο (η επαφή με καλώδιο το οποίο βρίσκεται υπό ηλεκτρική τάση θα θέσει υπό ηλεκτρική τάση τα εκτεθειμένα μεταλλικά μέρη του εργαλείου και θα προκαλέσει ηλεκτροπληξία του χειριστή)**
- **Χρησιμοποιήστε κατάλληλες ανιχνευτικές συσκευές για να εντοπίσετε τυχόν αφανείς τροφοδοτικές γραμμές ή συμβουλευτείτε σχετικά τις επιχειρήσεις παροχής ενέργειας** (επαφή με ηλεκτρικές γραμμές μπορεί να οδηγήσει σε πυρκαϊά ή σε ηλεκτροπληξία - βλάβες σε αγωγούς φωταερίου (γκαζιού) μπορεί να οδηγήσουν σε έκρηξη - η διείσδυση σ' ένα σωλήνα νερού προκαλεί υλικές ζημιές ή μπορεί να προκαλέσει ηλεκτροπληξία)

### ΑΣΦΑΛΕΙΑ ΠΡΟΣΩΠΩΝ

- Σε περίπτωση ηλεκτρικής ή μηχανικής δυσλειτουργίας, σταματήστε αμέσως το εργαλείο και βγάλτε το από την πρίζα
- Αυτό το εργαλείο δεν πρέπει να χρησιμοποιείται από άτομα κάτω των 16 ετών
- **Μην κατεργάζεστε υλικά που περιέχουν αμιάντο** (το αμιάντο θεωρείται σαν καρκινογόνο υλικό)
- Η σκόνη από υλικά όπως μογιές που περιέχουν μόλυβδο, ορισμένα είδη ξύλου, ανόργανα στοιχεία και μέταλλα μπορεί να είναι επιβλαβής (η επαφή ή η εισπνοή της σκόνης μπορεί να προκαλέσει αλλεργικές αντιδράσεις ή/και αναπνευστικές ασθένειες στον χειριστή ή σε άτομα που παρίστανται) - **να φοράτε προσωπικά προστασίας από τη σκόνη και να εργάζεστε με συσκευή αφαίρεσης σκόνης όταν είναι δυνατό**
- Ορισμένα είδη σκόνης ταξινομούνται ως καρκινογόνα (όπως η σκόνη από τη δρυ ή την οξιά) ιδιαίτερα σε συνδυασμό με πρόσθετα συντήρησης ξύλου - **να**

**φοράτε προσωπίδα προστασίας από τη σκόνη και να εργάζεστε με συσκευή αφαίρεσης σκόνης όταν είναι δυνατό**

- Ακολουθήστε τις σχετικές με σκόνη εθνικές διατάξεις για τα υλικά που θέλετε να εργαστείτε
- **Κρατήστε τα χέρια σας μακριά από την περιοχική κοπή και τη λεπίδα - κρατήστε με το δεύτερο χέρι σας τη βαρελωτή λαβή Η ②** (όταν και τα δυο σας χέρια κρατάνε το πριόνι, δεν υπάρχει κίνδυνος να τα κόψετε με τον δίσκο)
- **Μην βάζετε τα χέρια σας κάτω από το κομμάτι εργασίας** (η απόσταση της λεπίδας από το χέρι σας δεν είναι ορατή)
- **Ποτέ μην κρατάτε το κομμάτι εργασίας στα χέρια σας ή επάνω στο πόδι σας για να το κόψετε** (είναι σημαντικό το κομμάτι εργασίας να στηρίζεται καλά, για τη μείωση στο ελάχιστο της έκθεσης του σώματος ή του ενδεχόμενου σφηνώματος του δίσκου ή απώλειας του ελέγχου)
- **Να χρησιμοποιείτε σφινκτήρες ή άλλον εξοπλισμό για να ασφαλίσετε και να στηρίξετε το τεμάχιο εργασίας** (αν κρατήσετε το τεμάχιο στο χέρι σας ή το στηρίξετε πάνω στο σώμα σας, ενδέχεται να χάσετε τον έλεγχο του εργαλείου)
- **Μη χρησιμοποιείτε στομαχμένους ή φθαρμένους δίσκους** (οι λυγισμένες λεπίδες μπορεί να σπάσουν εύκολα ή να προκαλέσουν ανάκρουση)
- **Κρατήστε τα χέρια σας μακριά από το χώρο που χωρίζει το περίβλημα του εργαλείου και το σφινκτήρα λεπίδας D ②** (ο σφινκτήρας της λεπίδας μπορεί να πάσει τα δάχτυλά σας)
- **Βεβαιωθείτε ότι ο σφινκτήρας λεπίδας D ②** είναι σφικμένος προτού πραγματοποιήσετε μια κοπή (εάν είναι χαλαρός, το εργαλείο ή η λεπίδα μπορεί να γλιστρήσει, με αποτέλεσμα να χάσετε τον έλεγχο του εργαλείου)
- **Να χρησιμοποιείτε προστατευτικά γάντια όταν αφαιρείτε τη λεπίδα από το εργαλείο** (η πριονολεπίδα μπορεί να είναι ζεστή ύστερα από παρατεταμένη χρήση)
- Να φοράτε προστατευτικά γυαλιά και προστατευτικά μέσα ακοής

#### ΕΠΕΞΗΓΗΣΗ ΤΩΝ ΣΥΜΒΟΛΩΝ ΣΤΟ ΕΡΓΑΛΕΙΟ

- ③ Διαβάστε το εγχειρίδιο οδηγιών πριν από τη χρήση
- ④ Διπλή μόνωση (δεν απαιτείται καλώδιο γείωσης)
- ⑤ Μην πετάτε το εργαλείο στον κάδο οικιακών απορριμμάτων

#### ΧΡΗΣΗ

- Εκκίνηση/Σταση ⑥
- Έλεγχος ταχύτητας  
Με τον διακόπτη C ② η ταχύτητα κοπής μπορεί να ρυθμιστεί από χαμηλή έως υψηλή (6 θέσεις)
- Ρύθμιση της ταχύτητας κοπής ανάλογα με το υλικό που χρησιμοποιείται ⑦
- ! **σε περίπτωση που το εργαλείο δεν κινείται όταν ο τροχίσκος C ② βρίσκεται στη θέση 1, επιλέξτε μια υψηλότερη ταχύτητα κοπής και μειώστε την ταχύτητα κοπής μόλις αρχίσει να κινείται το εργαλείο**

- Τοποθέτηση της πριονολεπίδας ⑧
- ! **βγάλτε το φιν από την πρίζα**
- πιέστε το σφινκτήρα λεπίδας D προς τα εμπρός και κρατήστε τον σε αυτήν τη θέση
- τοποθετήστε τη λεπίδα (με τα δόντια στραμμένα προς τα κάτω ή προς τα πάνω) μέχρι τέρμα
- απελευθερώστε το σφινκτήρα λεπίδας D
- τραβήξτε τη λεπίδα λίγο προς τα έξω, μέχρι το σφινκτήρα D να κουμπώσει σωστά
- σπρώξτε τη λεπίδα προς τα μέσα και τραβήξτε την προς τα έξω για να ελέγξετε αν ασφάλισε σωστά
- ! **βεβαιωθείτε ότι το σφινκτήρα λεπίδας D ② είναι σφικμένο προτού πραγματοποιήσετε μια κοπή (εάν είναι χαλαρός, το εργαλείο ή η λεπίδα μπορεί να γλιστρήσει, με αποτέλεσμα να χάσετε τον έλεγχο του εργαλείου)**
- ! **βεβαιωθείτε ότι το μπροστινό άκρο της λεπίδας προεξέχει από το έλασμα έδρασης E για όλη τη διαδρομή της**
- Αφαίρεση της πριονολεπίδας ⑨
- πιέστε το σφινκτήρα λεπίδας D προς τα εμπρός και κρατήστε τον σε αυτήν τη θέση
- τραβήξτε τη λεπίδα προς τα έξω
- απελευθερώστε το σφινκτήρα λεπίδας D
- Ρυθμιζόμενο έλασμα έδρασης ⑩
- το έλασμα έδρασης E κλίνει, έτσι ώστε όσο το δυνατόν πιο μεγάλο μέρος της επιφάνειάς του να έρχεται σε επαφή με το τεμάχιο εργασίας
- ρυθμίστε το έλασμα έδρασης κρατώντας σταθερά τη σέγα και περιστρέφοντας το έλασμα έδρασης στη θέση που επιθυμείτε
- Χώρος αποθήκευσης λεπίδας ⑪
- βεβαιωθείτε ότι ο χώρος αποθήκευσης F είναι κλειστός, για να αποφευχθεί η πτώση των λεπίδων
- Χειρισμός του εργαλείου
- ! **ασφαλίστε στέρεα το τεμάχιο εργασίας**
- χαράξτε τη γραμμή κοπής πάνω στο τεμάχιο εργασίας
- επιλέξτε την επιθυμητή ταχύτητα κοπής με το διακόπτη C ②
- συνδέστε το φιν στην μπρίζα (η φωτεινή ένδειξη B ανάβει υποδεικνύοντας ότι το εργαλείο τροφοδοτείται με ρεύμα) ⑫
- κρατήστε το εργαλείο με το ένα χέρι στη λαβή G ② και το άλλο χέρι στη μονωμένη βαρελωτή λαβή Η ②
- ενεργοποιήστε το εργαλείο
- ! **το εργαλείο θα πρέπει να λειτουργεί με τη μέγιστη ταχύτητα, πριν εισχωρήσει η λεπίδα στο τεμάχιο εργασίας**
- οδηγήστε το εργαλείο κατά μήκος της γραμμής κοπής που έχετε χαράξει
- στηρίξτε σταθερά την πλάκα έδρασης E ② πάνω στο τεμάχιο εργασίας, για να ελαχιστοποιηθεί η αντίδραση και ο κραδασμός
- Πώς να κρατάτε και να οδηγείτε το εργαλείο
- ! **ενώ εργάζεστε, να κρατάτε πάντα το εργαλείο από τη/τις λαβή/ές με γκρι χρώμα ⑬**
- κρατάτε τις σχισμές αερισμού J ② ακάλυπτες
- μην ασκείτε υπέρμετρη πίεση στο εργαλείο, αφήστε το εργαλείο να δουλέψει για σας
- ! **βεβαιωθείτε ότι η πριονολεπίδα προεξέχει από το τεμάχιο για όλη τη διαδρομή της ⑭**

- Ρύθμιση αποτελεσματικών βάθους κοπής ⑮
  - χρησιμοποιήστε τις δύο κοχλίες στερέωσης K για να σπρώξετε την πλάκα έδρασης E προς τα εμπρός/πίσω προκειμένου να αυξήσετε/μειώσετε το αποτελεσματικό βάθος κοπής
  - ! **μην επιχειρήσετε να ρυθμίσετε το ωφέλιμο μήκος διαδρομής με τη βίδα L η οποία έχει προρυθμιστεί εργοστασιακά**

## ΟΔΗΓΙΕΣ ΕΦΑΡΜΟΓΗΣ

- Κοπή βύθισης ⑮
  - Κοπή βύθισης μπορεί να γίνει σε ξύλο ή άλλα μαλακά υλικά χωρίς την προ-διάνοιξη οπής
  - χρησιμοποιήστε χοντρή πριονολεπίδα
  - τοποθετήστε τη λεπίδα με τα δόντια στραμμένα προς τα πάνω
  - κρατήστε τη σέγα ανάποδα, όπως φαίνεται στο σχήμα
  - χαράξτε τη γραμμή κοπής που επιθυμείτε πάνω στο τεμάχιο εργασίας
  - επιλέξτε με το διακόπτη C τη θέση 1, 2 ή 3
  - προσδώστε κλίση στο εργαλείο κατά τέτοιο τρόπο, ώστε η λεπίδα να μην αγγίζει το τεμάχιο εργασίας
  - ενεργοποιήστε το εργαλείο και βυθίστε προσεκτικά την κινούμενη πριονολεπίδα στο τεμάχιο εργασίας
  - αφότου η λεπίδα διαπεράσει το τεμάχιο εργασίας, συνεχίστε το πριόνισμα κατά μήκος της γραμμής κοπής που έχετε χαράξει
  - ! **μην επιχειρείτε κοπή βύθισης σε μέταλλα**
- Χρησιμοποιείτε τις κατάλληλες πριονολεπίδες ⑰
- Όταν κόβετε μέταλλα, λιπαίνετε τακτικά την πριονολεπίδα με λάδι
- Κοπή χωρίς ακίδες
  - καλύψτε τη γραμμή κοπής με περισσότερα στρώματα φαρδιάς κολλητικής ταινίας πριν κάνετε την κοπή
  - κρατάτε πάντοτε την καλή πλευρά του κατεργαζόμενου αντικειμένου προς τα κάτω
- Για περισσότερες συμβουλές δείτε [www.skil.com](http://www.skil.com)

## ΣΥΝΤΗΡΗΣΗ / ΣΕΡΒΙΣ

- Αυτό το εργαλείο δεν προορίζεται για επαγγελματική χρήση
- Κρατάτε πάντοτε το εργαλείο και το καλώδιο καθαρά (και ιδιαίτερα τις θυρίδες αερισμού J ②)
- ! **αφαιρέστε την πρίζα πριν το καθαρίσμα**
- Αν παρ' όλες τις επιμελημένες μεθόδους κατασκευής κι ελέγχου το εργαλείο σταματήσει κάποτε να λειτουργεί, τότε η επισκευή του πρέπει να ανατεθεί σ' ένα εξουσιοδοτημένο συνεργείο για ηλεκτρικά εργαλεία της SKIL
  - στείλτε το εργαλείο **χωρίς να το αποσυρμολογήσετε** μαζί με την απόδειξη αγοράς στο κατάστημα από το οποίο το αγοράσατε ή στον πλησιέστερο σταθμό τεχνικής εξυπηρέτησης της SKIL (θα βρείτε τις διευθύνσεις και το διάγραμμα συντήρησης του εργαλείου στην ιστοσελίδα [www.skil.com](http://www.skil.com))

## ΠΕΡΙΒΑΛΛΟΝ

- **Μην πετάτε τα ηλεκτρικά εργαλεία, εξαρτήματα και συσκευασία στον κάδο οικιακών απορριμμάτων** (μόνο για τις χώρες της ΕΕ)
  - σύμφωνα με την ευρωπαϊκή οδηγία 2012/19/EK περί ηλεκτρικών και ηλεκτρονικών συσκευών και την ενσωμάτωσή της στο εθνικό δίκαιο, τα ηλεκτρικά εργαλεία πρέπει να συλλέγονται ξεχωριστά και να επιστρέφονται για ανακύκλωση με τρόπο φιλικό προς το περιβάλλον
  - το σύμβολο ⑤ θα σας το θυμίσει αυτό όταν έλθει η ώρα να πετάξετε τις

## ΔΗΛΩΣΗ ΣΥΜΜΟΡΦΩΣΗΣ CE

### Σπαθόεργα 4900

#### Τεχνικά χαρακτηριστικά ①

- Δηλώνουμε υπευθύνως ότι το προϊόν που περιγράφεται στα "Τεχνικά χαρακτηριστικά" εκπληρώνει τους εξής κανονισμούς ή κατασκευαστικές συστάσεις: EN 60745, EN 61000, EN 55014 σύμφωνα με τις διατάξεις των οδηγιών 2004/108/EK (έως 19.04.2016), 2014/30/EE (από 20.04.2016), 2006/42/EK, 2011/65/EE
- **Τεχνικός φάκελος από:** SKIL Europe BV (PT-SEU/ENG1), 4825 BD Breda, NL

Marijn van der Hoofden  
Operations & Engineering

Olaf Dijkgraaf  
Approval Manager




SKIL Europe BV, 4825 BD Breda, NL

12.03.2015

## ΘΟΡΥΒΟ/ΚΡΑΔΑΣΜΟΥΣ

- Μετρημένη σύμφωνα με EN 60745 η στάθμη ακουστικής πίεσης αυτού του εργαλείου ανέρχεται σε 90 dB(A) και η στάθμη ηχητικής ισχύος σε 101 dB(A) (κοινή απόκλιση: 3 dB), και ο κραδασμός σε \* m/s<sup>2</sup> (άθροισμα ανυσιμάτων τριών κατευθύνσεων - ανασφάλεια K = 1,5 m/s<sup>2</sup>)
  - \* κατά την κοπή πρεσαριστών 12,1 m/s<sup>2</sup>
  - \* κατά την κοπή ξύλινων δοκαριών 12,2 m/s<sup>2</sup>
- Το επίπεδο παραγωγής κραδασμών έχει μετρηθεί σύμφωνα με μια τυποποιημένη δοκιμή που αναφέρεται στο πρότυπο EN 60745 - μπορεί να χρησιμοποιηθεί για τη σύγκριση ενός εργαλείου με ένα άλλο, καθώς και ως προκαταρκτική αξιολόγηση της έκθεσης στους κραδασμούς όταν το εργαλείο χρησιμοποιείται για τις εφαρμογές που αναφέρονται
  - η χρήση του εργαλείου για διαφορετικές εφαρμογές ή με διαφορετικά ή κακοσυντηρημένα εξαρτήματα μπορεί να **αυξήσει** σημαντικά το επίπεδο έκθεσης
  - όταν το εργαλείο είναι απενεργοποιημένο ή δουλεύει αλλά δεν εκτελεί την εργασία, το επίπεδο έκθεσης μπορεί να **μειωθεί** σημαντικά
- ! **προστατευτείτε από τις επιδράσεις των κραδασμών συντηρώντας σωστά το εργαλείο και τα εξαρτήματά του, διατηρώντας τα χέρια σας ζεστά και οργανώνοντας τον τρόπο εργασίας σας**

## INTRODUCERE

- Această sculă este destinată pentru tăieri de lemn, plastic, metal și materiale de construcții ca și pentru elagaj și tunderea copacilor; este adecvată pentru tăieri drepte și în curbă
- Această sculă nu este destinată utilizării profesionale
- Citiți și păstrați acest manual de instrucțiuni ③

## DATE TEHNICE ①

### ELEMENTELE SCULEI ②

- A Întrerupător pornit/oprit
- B Indicator "Pornit"
- C Rotilă pentru ajustarea vitezei
- D Portsculă
- E Talpă reglabilă
- F Compartiment de păstrare a pânzelor
- G Mâner
- H Mâner orizontal
- J Fantele de ventilație
- K Bolțuri de fixare
- L Șurub al suportului pentru lamă

## SIGURANȚA

### INSTRUCȚIUNI DE SIGURANȚĂ GENERALE

**⚠ ATENȚIE!** Citiți toate indicațiile de avertizare și instrucțiunile. Nerespectarea indicațiilor de avertizare și a instrucțiunilor poate provoca electrocutare, incendii și/sau răni grave. **Păstrați toate indicațiile de avertizare și instrucțiunile în vederea utilizărilor viitoare.** Termenul de "sculă electrică" folosit în indicațiile de avertizare se referă la sculele electrice alimentate de la rețea (cu cablu de alimentare) și la sculele electrice cu acumulator (fără cablu de alimentare).

#### 1) SIGURANȚA LA LOCUL DE MUNCĂ

- a) **Păstrați-vă locul de muncă curat și bine iluminat.** Dezordinea la locul de muncă sau existența unor sectoare de lucru neiluminate poate duce la accidente.
- b) **Nu folosiți mașina în medii cu pericol de explozie, acolo unde există lichide, gaze sau pulberi inflamabile.** Sculele electrice pot produce scântei care să aprindă pulberile sau vaporii.
- c) **Nu permiteți accesul copiilor și al altor persoane în timpul lucrului cu mașina.** Dacă vi se distrage atenția puteți pierde controlul asupra mașinii.

#### 2) SECURITATE ELECTRICĂ

- a) **Ștecherul de racordare a mașinii trebuie să se potrivească cu priza de alimentare. Nu este permisă în nici-un caz modificarea ștecherului. Nu folosiți adaptoare pentru ștechere la mașinile legate la pământ.** Ștecherile nemodificate și prizele de curent adecvate acestora reduc riscul de electrocutare.

- b) **Evitați contactul corporal cu suprafețe legate la pământ ca țevi, radiatoare, plite electrice și frigider.** Există un risc crescut de electrocutare atunci când corpul dv. este și el legat la pământ.
  - c) **Nu lăsați mașina afară în ploaie sau în mediu umed.** Riscul de electrocutare crește atunci când într-o sculă electrică pătrunde apă.
  - d) **Nu trageți niciodată mașina de cordonul de alimentare pentru a o transporta, a o atârna sau a scoate ștecherul din priza de curent. Feriți cordonul de alimentare de căldură, ulei, mυχii ascuțiți sau de subsansamble aflate în mișcare.** Un cordon de alimentare deteriorat sau înfășurat mărește riscul de electrocutare.
  - e) **Atunci când lucrați cu scula electrică în aer liber, folosiți numai cordoane prelungitoare autorizate pentru exterior.** Întrebuințarea unu cordon prelungitor adecvat utilizării în aer liber reduce riscul de electrocutare.
  - f) **Atunci când nu poate fi evitată utilizarea sculei electrice în mediu umed, folosiți un întrerupător de circuit cu împământare.** Folosirea unei întrerupător de circuit cu împământare reduce riscul de electrocutare.
- ### 3) SECURITATEA PERSOANELOR
- a) **Fiți vigilenți, fiți atenți la ceea ce faceți și procedați rațional atunci când lucrați cu scula electrică. Nu folosiți mașina dacă sunteți oboseți sau vă aflați sub influența drogurilor, alcoolului sau a medicamentelor.** Un moment de neatenție în timpul lucrului cu mașina poate duce la răni grave.
  - b) **Purtați echipament de protecție personală și întotdeauna ochelari de protecție.** Folosirea echipamentelor de protecție a persoanei ca mască de protecție împotriva prafului, încălțăminte antiderapantă, cască de protecție sau aparat de protecție auditivă, în funcție de tipul și domeniul de folosire al sculei electrice, reduce riscul rănilor.
  - c) **Evitați o punere în funcțiune involuntară. Înainte de a introduce ștecherul în priză și/sau de a introduce acumulatorul în scula electrică, de a o ridica sau de a o transporta, asigurați vă că aceasta este oprită.** Dacă atunci când transportați scula electrică țineți degetul pe întrerupător sau dacă porniți scula electrică înainte de a o racorda la rețeaua de curent, puteți provoca accidente.
  - d) **Înainte de a pune mașina în funcțiune scoateți afară cheile reglabile și fixe.** O cheie reglabilă sau fixă, aflată într-o componentă de mașină care se rotește, poate provoca răni.
  - e) **Nu vă supraapreciați. Asigurați-vă o poziție stabilă și păstrați-vă întotdeauna echilibrul.** Astfel veți putea controla mai bine mașina în situații neașteptate.
  - f) **Purtați îmbrăcăminte de lucru adecvată. Nu purtați haine largi sau podoabe. Țineți părul, îmbrăcăminte și mânușile departe de componente aflate în mișcare.** Îmbrăcăminte largă, podoabe și părul lung pot fi prinse de piesele aflate în mișcare.
  - g) **Dacă există posibilitatea montării de echipamente și instalații de aspirare și colectare a prafului, asigurați-vă că acestea sunt conectate și folosite corect.** Folosirea unei instalații de aspirare a prafului poate duce la reducerea poluării cu praf.

#### 4) MANEVRAȚI ȘI FOLOȘIȚI CU GRIJĂ SCULELE ELECTRICE

- a) **Nu suprasolicitați mașina. Folosiți scula electrică destinată executării lucrării dumneavoastră.** Cu scula electrică potrivită lucrați mai bine și mai sigur în domeniul de putere specificat.
  - b) **Nu folosiți scula electrică dacă are întrerupătorul defect.** O sculă electrică, care nu mai poate fi pornită sau oprită este periculoasă și trebuie reparată.
  - c) **Scoateți ștecherul afară din priză și/sau îndepărtați acumulatorul, înainte de a executa reglaje, a schimba accesoriul sau de a pune mașina la o parte.** Această măsură preventivă reduce riscul unei porniri involuntare a mașinii.
  - d) **În caz de nefolosire păstrați mașinile la loc inaccesibil copiilor. Nu permiteți persoanelor care nu sunt familiarizate cu mașina sau care n-au citit prezentele instrucțiuni, să folosească mașina.** Sculele electrice sunt periculoase atunci când sunt folosite de persoane fără experiență.
  - e) **Întrețineți-vă cu grijă mașina. Controlați dacă componentele mobile funcționează corect și dacă nu se blochează, dacă nu există piese defecte sau deteriorate, care să afecteze funcționarea mașinii. Înainte de a repune în funcțiune mașina, duceți-o la un atelier de asistență service pentru repararea sau înlocuirea pieselor deteriorate.** Multe accidente s-au datorat întreținerii defectuoase a sculelor electrice.
  - f) **Păstrați accesoriile bine ascuțite și curate.** Accesoriile atent întreținute, cu muchii tăietoare bine ascuțite se blochează mai greu și pot fi conduse mai ușor.
  - g) **Folosiți sculele electrice, accesoriile, dispozitivele de lucru etc. conform prezentelor instrucțiuni. Țineți seama de condițiile de lucru și de lucrarea care trebuie executată.** Întreținerea unor scule electrice destinate altor utilizări decât cele preconizate, poate duce la situații periculoase.
- #### 5) SERVICE
- a) **Permiteți repararea mașinii dumneavoastră numai de către un specialist calificat și numai cu piese de schimb originale.** În acest mod este garantată menținerea siguranței de exploatare a mașinii.

#### INSTRUCȚIUNI DE SIGURANȚĂ PENTRU FERĂSTRAIE ALTERNATIVĂ COADĂ DE VULPE

##### ACCESORII

- SKIL garantează funcționarea perfectă a aparatului numai dacă sunt folosite accesoriile originale
  - Folosiți numai accesoriile a căror turație admisă este cel puțin egală cu turația maximă la mers în gol a aparatului
- ##### ÎNAINTEA UTILIZĂRII
- Verificați întotdeauna dacă tensiunea de alimentare este aceeași cu tensiunea indicată pe plăcuța de identificare a sculei
  - Evitați daunele provocate de șuruburi, ținte și alte elemente din timpul lucrului; înălțurați aceste elemente înainte de a trece la acțiune

##### SECURITATE ELECTRICĂ

- Folosiți cabluri de prelungire derulate complet, protejate/izolate, cu o capacitate de 16 amperi

- **Țineți mâinile pe suprafețele izolate ale mânerului atunci când are loc o operație de tăiere în care scula va putea atingea cabluri electrice ascunse/acoperite sau prupții ei cordon** (atingerea unui cablu electric "afiat sub tensiune" va determina "punerea sub tensiune" a părților metalice ale sculei și șocul operatorului)
- **Folosiți detectoare adecvate pentru depistarea conductelor și conductorilor de alimentare sau apelați în acest scop la întreprinderea locală de furnizare a utilităților** (contactul cu conductorii electrici poate provoca incendii sau electrocutare; deteriorarea unei conducte de gaz poate duce la explozii; spargerea unei conducte de apă provoacă pagube materiale sau poate provoca electrocutare)

##### SECURITATEA PERSOANELOR

- În cazul unor defecțiuni electrice sau mecanice deconectați imediat instrumentul și scoateți șnurul din priză
- Această sculă nu trebuie să fie folosit de persoane sub 16 ani
- **Nu prelucrați materiale care conțin azbest** (azbestul este considerat a fi cancerigen)
- Praful rezultat din materiale precum vopseaua care conține plumb, unele specii de lemn, minerale și metale poate fi periculos (contactul cu praful sau inhalarea acestuia poate provoca reacții alergice și/sau afecțiuni respiratorii operatorului sau persoanelor care stau în apropiere); **purtați o mască de praf și lucrați cu un dispozitiv de extragere a prafului când poate fi conectat**
- Anumite tipuri de praf sunt clasificate ca fiind cancerigene (cum ar fi praful de stejar și fag) în special în combinație cu aditivi pentru tratarea lemnului; **purtați o mască de praf și lucrați cu un dispozitiv de extragere a prafului când poate fi conectat**
- Respectați reglementările naționale referitoare la aspirația prafului în funcție de materialele de lucru folosite
- **Țineți-vă mâinile la distanță de zona de tăiere și de pânza ferăstrăului; țineți-vă cealaltă mână pe mânerul orizontal H ②** (dacă țineți cu amândouă mâinile ferăstrăul, ele nu pot fi tăiate de pânza acestuia)
- **Nu atingeți piesa de prelucrat dedesubt** (apropierea pânzei de mâna dumneavoastră este ascunsă vederii)
- **Nu țineți niciodată piesa de prelucrat în mâinile sau pe picioarele dvs** (este important să lucrați într-un mod adecvat pentru a mișcarea la minimum expunerea corpului dvs, griparea pânzei sau pierderea controlului)
- **Utilizați cleme sau alte echipamente pentru a fixa și sprijini piesa de prelucrat** (nu țineți piesa în mână sau lipită de corp deoarece puteți pierde controlul sculei)
- **Nu folosiți o pânză tocită sau deteriorată** (pânzele de ferăstrău îndoit se pot rupe ușor sau provoca recul)
- **Țineți mâinile la distanță de zona dintre carcasa sculei și portscula D ②** (portscula vă poate prinde degetele)
- **Asigurați-vă că portscula D ② este strâns înaintea de a face o tăiere** (o portsculă slăbită poate face ca scula sau pânza să alunece ducând la pierderea controlului)
- **Folosiți mănuși de protecție când scoateți pânza de ferăstrău din sculă** (pânza poate fi fierbinte după o utilizare prelungită)
- Purtați ochelari de protecție și căști antifonice

## EXPLICAȚIA SIMBOLURILOR DE PE INSTRUMENT

- ③ Citiți manual de instrucțiuni înainte de utilizare
- ④ Izolație dublă (nu este necesar fir de împământare)
- ⑤ Nu aruncați instrumentul direct la pubelele de gunoi

## UTILIZAREA

- Pornit/oprit ⑥
- Control de viteză  
Cu rotilă C ② viteza de tăiere poate fi reglată de la scăzută la ridicată (6 poziții)
- Ajustarea vitezei de tăiere pentru materialul folosit ⑦  
**! dacă aparatul nu funcționează cu rotilă C ② în poziție 1, atunci alegeți o viteză mai mare de tăiere și reduceți viteza de tăiere când aparatul este în stare de funcționare**
- Montarea pânzei de ferăstrău ⑧  
**! deconectați prizea**
  - apăsați portscula D înainte și țineți-o în această poziție
  - introduceți pânda (cu dinții în jos sau în sus) la adâncimea maximă
  - eliberați portscula D
  - trageți lama astfel încât portscula D să facă un clic poziționată într-un pătrat
  - împingeți și trageți pânda pentru a verifica dacă este fixată corect**! asigurați-vă că portscula D ② este strânsă înainte de a face o tăiere (o portsculă slăbită poate face ca scula sau pânda să alunece ducând la pierderea controlului)**  
**! asigurați-vă că vârful pânzei trece prin talpa E cu toată lungimea cursei**
- Scoaterea pânzei de ferăstrău ⑨
  - apăsați portscula D înainte și țineți-o în această poziție
  - scoateți pânda afară
  - eliberați portscula D
- Talpa reglabilă ⑩
  - talpa E se înclină pentru a păstra cât mai mult din suprafața ei în contact cu piesa de prelucrat
  - reglați talpa ținând bine ferăstrăul și rotind talpa în poziția dorită
- Compartimentul de păstrare a pânzelor ⑪
  - asigurați-vă că compartimentul de depozitare F este închis pentru a împiedica căderea pânzelor de ferăstrău
- Utilizarea sculei  
**! fixați bine piesa de prelucrat**
  - marcați linia de tăiere pe piesa de prelucrat
  - selectați viteza de tăiere dorită cu rotilă C ②
  - conectați ștecherul la sursa de alimentare (indicatorul luminos B se aprinde indicând faptul că unealta primește curent) ⑫
  - țineți scula cu o mână pe mânerul G ② și cu cealaltă pe mânerul orizontal izolat H ②
  - porniți scula**! scula trebuie să meargă la viteză maximă înainte de a introduce pânda de ferăstrău în piesa de prelucrat**
  - ghidați scula de-a lungul liniei de tăiere marcate
  - mențineți talpa E ② lipită de piesa de prelucrat pentru a reduce la minim contra-forța și vibrațiile
- Mănuirea și dirijarea sculei  
**! în timp ce lucrați, țineți întotdeauna scula de zonă (zonele) de prindere colorate gri ⑬**

- mențineți fantele de ventilație J ② neacoperite
- nu exercitați prea multă presiune asupra aparatului; lăsați aparatul să funcționeze
- ! asigurați-vă că pânda de ferăstrău trece dincolo de piesa de prelucrat în timpul cursei ⑭**
- Reglarea adâncimii efective de tăiere ⑮
  - folosiți ambele bolțuri de fixare K pentru a împinge placa E înainte/înapoi în vederea măririi/reducerii adâncimii efective de tăiere**! nu încercați să reglați lungimea efectivă cu șurubul L, care este presetat din fabrică**

## SFATURI PENTRU UTILIZARE

- Tăieri în interiorul materialului ⑯  
Tăierile în interiorul materialului pot fi efectuate în lemn și alte materiale moi fără a face o gaură în prealabil
  - folosiți o pânda de ferăstrău mai groasă
  - montați pânda de ferăstrău cu dinții în sus
  - țineți scula cu capul în jos așa cum este ilustrat
  - marcați linia de tăiere dorită pe piesa de prelucrat
  - selectați poziția 1, 2 sau 3 cu rotilă C
  - înclinați scula astfel încât pânda de ferăstrău să nu atingă piesa de prelucrat
  - porniți scula și introduceți cu grijă pânda de ferăstrău în mișcare în piesa de prelucrat
  - după ce pânda de ferăstrău a trecut prin piesă continuați să tăiați de-a lungul liniei de tăiere marcate**! nu faceți tăieri în interiorul materialului în metale**
- Folosiți pânzele de ferăstrău corespunzătoare ⑰
- Când tăiați metale, ungeți în mod regulat panză de ferăstrău cu ulei
- Tăiere fără așchii
  - acoperiți linia de tăiere, înainte de a tăia, cu câteva straturi de bandă adezivă lată
  - puneți întotdeauna materialul la care lucrați cu fața în jos
- A se vedea alte recomandări la [www.skil.com](http://www.skil.com)

## ÎNȚREȚINERE / SERVICE

- Această sculă nu este destinată utilizării profesionale
- Păstrați aparatul și cablul curat (mai ales fantele de ventilație J ②)  
**! deconectați de la priză înainte de a curăța**
- Dacă în ciuda procedurilor de fabricație și control riguroase scula are totuși o pană, repararea acesteia se va face numai la un atelier de asistență service autorizat pentru scule electrice SKIL
  - trimiteți scula în **totalitatea lui** cu bonul de cumpărare la distribuitorul sau la centrul de service SKIL cel mai apropiat (adrese și diagrame de service se găsesc la [www.skil.com](http://www.skil.com))

## MEDIUL

- **Nu aruncați sculele electrice, accesoriile sau ambalajele direct la pubelele de gunoi** (numai pentru țările din Comunitatea Europeană)
  - Directiva Europeană 2012/19/EC face referire la modul de aruncare a echipamentelor electrice și electronice și modul de aplicare a normelor în conformitate cu legislația națională; sculele electrice în



momentul в care au атини град авансат де узурă и требуиеск арункате, еле требуиеск колектате сепарат и рециклате в нтр-ун мод че респектă нормеле де протекция а медиулуи инконжурăтор

- символулу ⑤ вă ва реаминти ацест луцру

## DECLARAȚIE DE CONFORMITATE CЄ

### Ferăstrău pendular 4900

#### Date tehnice ①

- Declarăm пе протрие рăспундере чă продусл дескрис ла парграфулу "Date tehnice" есте в конформитате ку urmăтоarele стандарде и документе нормативе: EN 60745, EN 61000, EN 55014 конформ преведерилор директивелор 2004/108/CE (пăнă ла 19.04.2016), 2014/30/UE (внечпăнд ку 20.04.2016), 2006/42/CE, 2011/65/UE
- **Документация техничă ла:** SKIL Europe BV (PT-SEU/ENG1), 4825 BD Breda, NL

Marijn van der Hoofden  
Operations & Engineering

Olaf Dijkgraaf  
Approval Manager

SKIL Europe BV, 4825 BD Breda, NL

12.03.2015

### ZGOMOT/VIBRAȚII

- Мăсурат в конформитате ку EN 60745 нивелу де пресиуне а сунетулу генерат де ацест инструмент есте де 90 dB(A) iar нивелу де путере а сунетулу 101 dB(A) (abaterea standard: 3 dB), iar нивелу вибрациялор \*  $m/s^2$  (suma vectorială а треи дирекция; incertitudine  $K = 1,5 m/s^2$ )
    - \* чăнд тăиати плăчи агломерате 12,1  $m/s^2$
    - \* чăнд тăиати гринзи де lemn 12,2  $m/s^2$
  - Нивелу емисиилор де вибрация а fost мăсурат в конформитате ку un test standardizat precizat в EN 60745; poate fi folosit pentru а compara о sculă ку alta и ca evaluare preliminară а expunerii ла вибрация атунци чăнд folositi scula pentru aplicațiile menționate
    - utilizarea sculei pentru aplicații diferite sau cu accesorii diferite и prost внтреținуте poate crește semnificativ нивелу де expunere
    - моментеле в н care scula este oprită sau чăнд funcționează dar nu execută nicio lucrare, pot reduce semnificativ нивелу де expunere
- ! protejați-vă вмпотрива ефекелор вибрациялор prin внтреținerea sculei и а accesoriiilor sale, păstrând mâinile calde и organizând procesele de lucru**

BG

## Възвратно-постъпателно трион 4900

### УВОД

- Този инструмент е предназначен за рязане на дърво, пластмаса, метал и строителни материали, както и за подрязване и подкастриане на дървета; подходящ е за право и извито рязане

- Този инструмент не е предназначен за професионална употреба
- Прочетете и пазете това ръководство за работа ③

## ТЕХНИЧЕСКИ ДАННИ ①

## ЕЛЕМЕНТИ НА ИНСТРУМЕНТА ②

- A Прекъсвач за включване/изключване
- B Индикатор "Включено"
- C Диск за избор на скорост
- D Фиксатор на острието
- E Регулируема опорна планка
- F Гнездо за съхранение на острието
- G Дръжка
- H Цилиндрична ръкохватка
- J Вентилационните отвори
- K Закрепващи болтове
- L Винт за държача на острието

## БЕЗОПАСНОСТ

### ОБЩИ УКАЗАНИЯ ЗА БЕЗОПАСНА РАБОТА

**⚠ ВНИМАНИЕ!** Прочетете внимателно всички указания. Неспазването на приведените по долу указания може да доведе до токов удар, пожар и/или тежки травми. **Съхранявайте тези указания на сигурно място.** Използваният по-долу термин "електроинструмент" се отнася до захранвани от електрическата мрежа електроинструменти (със захранващ кабел) и до захранвани от акумулаторна батерия електроинструменти (без захранващ кабел).

### 1) БЕЗОПАСНОСТ НА РАБОТНОТО МЯСТО

- Поддържайте работното си място чисто и подредено.** Безпорядъкът или недостатъчното осветление могат да спомогнат за възникването на трудова злополука.
- Не работете с електроинструмента в среда с повишена опасност от възникване на експлозия, в близост до леснозапалими течности, газове или прахообразни материали.** По време на работа в електроинструментите се отделят искри, които могат да възпламенят прахообразни материали или пари.
- Дръжте деца и странични лица на безопасно разстояние, докато работите с електроинструмента.** Ако вниманието Ви бъде отклонено, може да загубите контрола над електроинструмента.

### 2) БЕЗОПАСНОСТ ПРИ РАБОТА С ЕЛЕКТРИЧЕСКИ ТОК

- Щепселът на електроинструмента трябва да е подходящ за ползвания контакт. В никакъв случай не се допуска изменение на конструкцията на щепсела. Когато работите със занулен електроуреди, не използвайте адаптери за щепсела.** Ползването на оригинални щепсели и контакти намалява риска от възникване на токов удар.
- Избягвайте допира на тялото Ви до заземени тела, напр. тръби, отоплителни уреди, пещи и**

- хладилници. Когато тялото Ви е заземено, рискът от възникване на токов удар е по-голям.
- c) **Предпазвайте електроинструмента си от дъжд и влага.** Проникването на вода в електроинструмента повишава опасността от токов удар.
- d) **Не използвайте захранващия кабел за цели, за които той не е предвиден, напр. за да носите електроинструмента за кабела или да извадите щепсела от контакта. Предпазвайте кабела от нагряване, омасляване, допир до остри ръбове или до подвижни звена на машини.** Повредени или усукани кабели увеличават риска от възникване на токов удар.
- e) **Когато работите с електроинструмент навън, използвайте само удължителни кабели, предназначени за работа на открито.** Използването на удължител, предназначен за работа на открито, намалява риска от възникване на токов удар.
- f) **Ако се налага използването на електроинструмента във влажна среда, използвайте предпазен прекъсвач за утени токове.** Използването на предпазен прекъсвач за утени токове намалява опасността от възникване на токов удар.
- 3) БЕЗОПАСЕН НАЧИН НА РАБОТА**
- a) **Бъдете концентрирани, следете внимателно действията си и постъпвайте предпазливо и разумно. Не използвайте електроинструмента, когато сте уморени или под влиянието на наркотични вещества, алкохол или упойващи лекарства.** Един миг разсеяност при работа с електроинструмент може да има за последствие изключително тежки наранявания.
- b) **Работете с предпазващо работно облекло и винаги с предпазни очила.** Носенето на подходящи за ползвания електроинструмент и извършваната дейност лични предпазни средства, като дихателна маска, здрави плътнотатворени обувки със стабилен грайфер, защитна каска или шумозаглушители (антифони), намалява риска от възникване на трудова злополука.
- c) **Избягвайте опасността от включване на електроинструмента по невнимание. Преди да включите щепсела в захранващата мрежа или да поставите акумулаторната батерия, се уверявайте, че пусковият прекъсвач е в положение изключено.** Ако, когато носите електроинструмента, държите пръста си върху пусковия прекъсвач, или ако подавате захранващо напрежение на електроинструмента, когато е включен, съществува опасност от възникване на трудова злополука.
- d) **Преди да включите електроинструмента, се уверявайте, че сте отстранили от него всички помощни инструменти и гаечни ключове.** Помощен инструмент, забравен на въртящо се звено, може да причини травми.
- e) **Не надценявайте възможностите си. Работете в стабилен положение на тялото и във всеки момент поддържайте равновесие.** Така ще можете да контролирате електроинструмента по-добре и по-безопасно, ако възникне неочаквана ситуация.
- f) **Работете с подходящо облекло. Не работете с широките дрехи или украшения. Дръжте косата си, дрехите и ръкавици на безопасно разстояние от въртящи се звена на електроинструментите.** Широките дрехи, украшенията, дългите коси могат да бъдат захванати и увлечени от въртящи се звена.
- g) **Ако е възможно използването на външна аспирационна система, се уверявайте, че тя е включена и функционира изправно.** Използването на аспирационна система намалява рисковете, дължащи се на отделящата се при работа прах.
- 4) ВНИМАТЕЛНО ОТНОШЕНИЕ КЪМ ЕЛЕКТРОИНСТРУМЕНТИ**
- a) **Не претоварвайте електроинструмента. Използвайте електроинструментите само съобразно тяхното предназначение.** Ще работите по-добре и по-безопасно, когато използвате подходящия електроинструмент в зададения от производителя диапазон на натоварване.
- b) **Не използвайте електроинструмент, чиито пусков прекъсвач е повреден.** Електроинструмент, който не може да бъде изключван и включван по предвидения от производителя начин, е опасен и трябва да бъде ремонтиран.
- c) **Преди да промените настройките на електроинструмента, да замените работни инструменти и допълнителни приспособления, както и когато продължително време няма да използвате електроинструмента, изключвайте щепсела от захранващата мрежа и/или изваждайте акумулаторната батерия.** Тази мярка премахва опасността от задействане на електроинструмента по невнимание.
- d) **Съхранявайте електроинструментите на места, където не могат да бъдат достигнати от деца. Не допускайте те да бъдат използвани от лица, които не са запознати с начина на работа с тях и не са прочели тези инструкции.** Когато са в ръцете на неопитни потребители, електроинструментите могат да бъдат изключително опасни.
- e) **Поддържайте електроинструментите си грижливо. Проверявайте дали подвижните звена функционират безупорно, дали не заклинват, дали има счупени или повредени детайли, които нарушават или изменят функциите на електроинструмента. Преди да използвате електроинструмента, се погрижете повредените детайли да бъдат ремонтирани.** Много от трудовите злополуки се дължат на недобре поддържани електроинструменти и уреди.
- f) **Поддържайте режещите инструменти винаги добре заточени и чисти.** Добре поддържаните режещи инструменти с остри ръбове оказват по-малко съпротивление и се водят по-леко.
- g) **Използвайте електроинструментите, допълнителните приспособления, работните инструменти и т.н., съобразно инструкциите на производителя. С дейности и процедури,**

евентуално предписани от различни нормативни документи. Използването на електроинструменти за различни от предвидените от производителя приложения повишава опасността от възникване на трудови злополуки.

## 5) ПОДДЪРЖАНЕ

- a) **Допускайте ремонтът на електроинструментите Ви да се извършва само от квалифицирани специалисти и само с използването на оригинални резервни части.** По този начин се гарантира съхраняване на безопасността на електроинструмента.

## УКАЗАНИЯ ЗА БЕЗОПАСНА РАБОТА ЗА ТРИОН С ВЪЗВРАТНО-ПОСТЪПАТЕЛНО ДЕЙСТВИЕ

### ДОПЪЛНИТЕЛНИ АКСЕСОАРИ

- SKIL може да осигури безаварийна работа на електроинструмента само ако се използват оригинални допълнителни приспособления
- Използвайте само принадлежности, чиято допустима скорост на въртене е поголяма или равна на максималната скорост на въртене на празен ход на електроинструмента

### ПРЕДИ УПОТРЕБА

- Преди включване на инструмента в контакта се уверете, че мрежовото напрежение отговаря на напрежението, обозначено на фирмената табелка на инструмента
- Избягвайте повреди, които могат да бъдат причинени от винтове, гвоздеи и други метални елементи в обработвания детайл; отстранете ги преди да започнете работа

### БЕЗОПАСНОСТ ПРИ РАБОТА С ЕЛЕКТРИЧЕСКИ ТОК

- Използвайте напълно развити и безопасени разклонители с капацитет 16 А
- **Дръжте инструмента за изолираните ръкохватки, когато има опасност инструментът да засегне скрити кабели или собствения захранващ шнур** (контактът с кабел под напрежение ще постави под напрежение откритите метални части на инструмента, което може да доведе до удар от електрически ток в тялото на оператора)
- **За да откриете скрити под повърхността електро-, водо- и газопроводи, използвайте подходящи уреди или се обърнете към местното снабдително дружество** (прекъсването на електропроводници под напрежение може да предизвика пожар и/или токов удар; увреждането на газопровод може да предизвика експлозия; засягането на водопровод може да предизвика значителни материални щети и/или токов удар)

### БЕЗОПАСЕН НАЧИН НА РАБОТА

- В случай на електрическа или механична неизправност, изключете незабавно апарата и прекъснете контакта с електрическата мрежа
- Машината не трябва да се използва от лица под 16 години
- **Не обработвайте азбестосъдържащ материал** (азбестът е канцерогенен)

- Прахът от някои материали, като например съдържаща олово боя, някои видове дървесина, минерали и метали може да бъде вреден (контакт или вдишване на такъв прах могат да причинят алергични реакции и/или респираторни заболявания на оператора или стоящите наблизо лица); **използвайте противопрахова маска и работете с аспириращо прахта устройство, когато такова може да бъде свързано**
  - Определени видове прах са класифицирани като карциногенни (като прах от дъб и бун) особено когато са комбинирани с добавки за подобряване на състоянието на дървесината; **използвайте противопрахова маска и работете с аспириращо прахта устройство, когато такова може да бъде свързано**
  - Следвайте дефинираните по БДС изисквания относно безопасността за материалите, които желаете да обработвате
  - **Пазете ръцете от областта на рязане и острието; дръжте другата си ръка на цилиндричната ръкохватка Н** <sup>②</sup> (ако и двете ръце държат триона, режещото острие не може да ги засегне)
  - **Не посягайте с ръце под обработвания детайл** (близостта на острието до ръката ви остава скрито от погледа)
  - **Никога не дръжте обработвания детайл в ръце или върху крака си** (доброто закрепване на обработвания детайл е от голямо значение за свеждане до минимум опасността от подлагане на тялото на нежелани въздействия, заклиняването на режещия диск или загубата на контрол върху инструмента)
  - **Използвайте скоби или други устройства за закрепване на обработвания детайл в неподвижно положение** (придържането на детайла с ръце или притиснат към тялото може да доведе до загуба на контрол)
  - **Не използвайте затъпел или повреден режещ диск** (изкривените остриета се чупят лесно или предизвикват откат)
  - **Пазете ръцете си от пространството между корпуса и фиксатора на острието D** <sup>②</sup> (фиксаторът може да нарани пръстите ви)
  - **Проверете затягането на фиксатор D** <sup>②</sup> преди рязане (хлабавият фиксатор може да предизвика изплъзване на инструмента или острието със загуба на контрол)
  - **Използвайте защитни ръкавици при демонтиране на острието от инструмента** (острието може да е нагорещено след продължителна работа)
  - Носете защитни очила и тапи за уши
- ### ОБЯСНЕНИЕ НА СИМВОЛИТЕ ПО ИНСТРУМЕНТА
- ③ Преди употреба прочетете ръководството с указания
  - ④ Двойна изолация (не се изисква кабел за заземяване)
  - ⑤ Не изхвърляйте инструмента заедно с битови отпадъци

## УПОТРЕБА

- Включване/изключване ⑥
- Управление на скоростта  
С колелото С ② може да се регулира скоростта на рязане от ниска до висока (6 позиции)
- Регулиране на скоростта на рязане в зависимост от материала ⑦  
**! при условие, че инструментът не работи, когато маховинът С ② се намира в позиция 1, изберете по висока скорост на рязане, за да задействате инструмента и я намалете отново, докато инструментът е в действие**
- Поставяне на острие ⑧  
**! изключете щепсела**
  - натиснете фиксатора на острието D напред и го задръжте в това положение
  - вкарайте острието (със зъбците надолу или нагоре) до максимална дълбочина
  - отпуснете фиксатора на острието D
  - издърпайте острието, докато се хване фиксатор D и изщрака на мястото си
  - натиснете и дръпнете острието, за да проверите дали е поставено правилно**! проверете затягането на фиксатор D ② преди рязане (хлабавият фиксатор може да предизвика изплъзване на инструмента или острието със загуба на контрол)**  
**! проверете дали предният край на острието преминава през опорна планка E през целия работен ход**
- Изваждане на острие ⑨
  - натиснете фиксатора на острието D напред и го задръжте в това положение
  - издърпайте острието
  - отпуснете фиксатора на острието D
- Регулируема опорна планка ⑩
  - опорна планка E се накланя, за да остава възможно най-голяма част от повърхността ѝ в контакт с обработвания детайл
  - регулирайте планката, като държите триона здраво и завъртате планката в желаното положение
- Гнездо за съхранение на острието ⑪
  - проверявайте дали гнездото за съхранение F е затворено, за да не изпадат остриетата от него
- Работа с инструмента  
**! закрепете здраво обработвания детайл**
  - отбележете линията на рязане върху обработвания детайл
  - изберете желаната скорост на рязане с колелото С ②
  - пъхнете щепсела в контакта (индикаторът В ще светне, сочейки, че инструментът получава енергия) ⑫
  - хванете инструмента с една ръка за дръжката G ②, а другата поставете върху изолираната цилиндрична ръкохватка H ②
  - включете инструмента**! инструментът трябва да работи на максимална скорост преди навлизане на острието в обработвания детайл**

- насочвайте инструмента по отбелязаната линия на рязане
- притискайте опорна планка E ② към обработвания детайл за свеждане до минимум на противодействащата сила и вибрациите
- Държане и насочване на инструмента  
**! по време на работа, винаги дръжте уреда за оцветената(ите) в сиво зона(и) за хващане ⑬**
  - оставяйте вентилационните отвори J ② непокрити
  - не прилагайте твърде голям натиск върху електроинструмента; нека той да свърши работата вместо вас**! проверете дали острието преминава изцяло през обработвания детайл ⑭**
- Регулиране на ефективна дълбочината на рязане ⑮
  - използвайте двата закрепващи болта K за да плъзнете плочата E напред/назад, за да увеличите/намалите ефективната дълбочината на рязане**! не се опитвайте да регулирате ефективната дължина на рязане с винта L, който е нагласен предварително при производството**

## УКАЗАНИЯ ЗА РАБОТА

- Обработване чрез връзване ⑯  
Нарези могат да се правят в дърво и други меки материали без предварително пробиване на отвор
  - използвайте дебело острие
  - поставете острието със зъбците нагоре
  - държете триона насочен надолу, както е показано
  - отбележете желаната линия на рязане върху обработвания детайл
  - изберете позиция 1, 2 или 3 с колелото С
  - наклонете инструмента така, че острието да не докосва обработвания детайл
  - включете инструмента и внимателно притиснете острието към обработвания детайл
  - след като острието проникне в обработвания детайл, продължете рязането по отбелязаната линия**! не правете нарези в метални детайли**
- Използвайте подходящи режещи ленти ⑰
- При рязане на метали смазвайте редовно режещата лента с машинно масло
- Рязане без разцепване
  - преди рязане покрийте линията на разреза с няколко слоя широка лепилна лента
  - лицевата страна на обработвания детайл винаги трябва да сочи надолу
- За повече полезни указания вж. [www.skil.com](http://www.skil.com)


## ПОДДРЪЖКА / СЕРВИС

- Този инструмент не е предназначен за професионална употреба
- Поддържайте винаги електроинструмента и захранващия кабел чисти (особено вентилационните отвори J ②)  
**! преди почистване изключете щепсела**
- Ако въпреки прецизното производство и внимателно изпитване възникне повреда, инструмента да се

занесе за ремонт в оторизиран сервиз за електроинструменти на SKIL


- занесете инструмента в неразглобен вид заедно с доказателство за покупката му в търговския обект, откъдето сте го закупили, или в най-близкия сервиз на SKIL (адресите, както и схемата за сервизно обслужване на електроинструмента, можете да намерите на адрес [www.skil.com](http://www.skil.com))

## ОПАЗВАНЕ НА ОКОЛНАТА СРЕДА

- **Не изхвърляйте електроуредите, приспособленията и опаковките заедно с битови отпадъци** (само за страни от ЕС)
  - съобразно Директивата на ЕС 2012/19/EG относно износени електрически и електронни уреди и отразяването ѝ в националното законодателство износените електроуреди следва да се събират отделно и да се предават за рециклиране според изискванията за опазване на околната среда
  - за това указва символът  тогава когато трябва да бъдат унищожени

## ДЕКЛАРАЦИЯ ЗА СЪОТВЕТСТВИЕ

**Възвратно-постъпателно трион 4900**

**Технически данни** 

- С пълна отговорност ние декларираме, че описаният в "Технически данни" продукт съответства на следните стандарти или нормативни документи: EN 60745, EN 61000, EN 55014 съгласно изискванията на директиви 2004/108/EG (до 19.04.2016), 2014/30/EC (от 20.04.2016), 2006/42/EG, 2011/65/EC
- **Подробни технически описания при:** SKIL Europe BV (PT-SEU/ENG1), 4825 BD Breda, NL

Marijn van der Hoofden  
Operations & Engineering

Olaf Dijkgraaf  
Approval Manager

SKIL Europe BV, 4825 BD Breda, NL

12.03.2015

## ШУМ/ВИБРАЦИИ

- Измерено в съответствие с EN 60745 нивото на звуково налягане на този инструмент е 90 dB(A) а нивото на звукова мощност е 101 dB(A) (стандартно отклонение: 3 dB), а вибрациите са \*  $m/c^2$  (векторната сума по трите направления; неопределеност  $K = 1,5 m/c^2$ )
  - \* при рязане на талашит 12,1  $m/c^2$
  - \* при рязане на дървена греди 12,2  $m/c^2$
- Нивото на предадените вибрации е измерено в съответствие със стандартизирания тест, определен в EN 60745; то може да се използва за сравнение на един инструмент с друг и като предварителна оценка на подлагането на вибрации при използването на инструмента за посочените приложения


- използването на инструмента за различни от тези приложения или с други, или лошо поддържани аксесоари може значително **да повиши** нивото на което сте подложени
- периодите от време, когато инструмента е изключен или съответно включен, но с него не се работи в момента могат значително **да намалят** нивото на което сте подложени
- ! **предпазвайте се от ефектите от вибрациите, като поддържате инструмента и аксесоарите му, пазете ръцете си топли и организирате вашите модели на работа**

SK

**Vratná píla**

**4900**

## ÚVOD

- Toto náradie je určené pre rezanie dreva, plastov, kovov a stavebných materiálov ako aj pre prerézavanie a úpravu stromov; je vhodný pre priame a zakrivené rezy
- Tento nástroj nie je vhodný pre profesionálne použitie
- Prečítajte a uschovajte tento návod na použitie 


## TECHNICKÉ ÚDAJE

### ČASTI NÁSTROJA

- A Spínač zapnutie/vypnutie
- B Indikátor "Zapnuté"
- C Koliesko na nastavovanie rýchlosti
- D Svorka listu píly
- E Nastaviteľná základná platňa
- F Miesto na uschovanie listu
- G Rukováť
- H Držadlo bubna
- J Vetracie štrbiny
- K Upevňovacie skrutky
- L Skrutka držiaka čepele

## BEZPEČNOSŤ

### VŠEOBECNÉ BEZPEČNOSTNÉ POKYNY

 **POZOR!** Prečítajte si všetky výstražné upozornenia a bezpečnostné pokyny. Zanedbanie dodržiavania výstražných upozornení a pokynov uvedených v nasledujúcom texte môže mať za následok zásah elektrickým prúdom, spôsobiť požiar a/alebo ťažké poranenie. **Tieto výstražné upozornenia a bezpečnostné pokyny starostlivo uschovajte na budúce použitie.** Pojem ručné "elektrické náradie" používaný v nasledujúcom texte sa vzťahuje na ručné elektrické náradie napájané zo siete (s prívodnou šnúrou) a na ručné elektrické náradie napájané akumulátorovou batériou (bez prívodnej šnúry).

### 1) BEZPEČNOSŤ NA PRACOVISKU

- a) **Udržiavajte svoje pracovisko čisté a upratané.** Neporiadok na pracovisku alebo neosvetlené časti pracoviska môžu viesť k úrazom.

- b) **Nepracujte elektrickým náradím v prostredí ohrozenom výbuchom, v ktorom sa nachádzajú horľavé kvapaliny, plyny alebo prach.** Elektrické náradie produkuje iskry, ktoré môžu prach alebo pary zapáliť.
- c) **Deti a iné osoby udržiavajte počas práce od ručného elektrického náradia v dostatočnej vzdialenosti.** V prípade odpútania Vašej pozornosti by ste mohli stratiť kontrolu nad náradím.

## 2) ELEKTRICKÁ BEZPEČNOSŤ

- a) **Zástrčka prívodnej šnúry sa musí hodiť do napájacej zásuvky. Zástrčka sa v žiadnom prípade nesmie meniť. Pri uzemnených spotrebičoch nepoužívajte spolu s nimi žiadne adaptéry.** Nezmenená zástrčka a vhodná zásuvka znižujú riziko zásahu elektrickým prúdom.
- b) **Vyhýbajte sa telesnému kontaktu s povrchovými plochami uzemnených spotrebičov, ako sú elektrické rúry, vyhrievacie telesá, sporáky a chladničky.** Keď je Vaše telo uzemnené, riziko zásahu elektrickým prúdom je vyššie.
- c) **Chráňte ručné elektrické náradie pred dažďom a vlhkom.** Vniknutie vody do ručného elektrického náradia zvyšuje riziko zásahu elektrickým prúdom.
- d) **Nepoužívajte prívodnú šnúru na prenášanie náradia, na jeho vešanie, ani za ňu nevyťahujte zástrčku zo zásuvky. Prívodnú šnúru chráňte pred horúčavou, olejom, ostrými hranami alebo pohybujúcimi sa časťami náradia.** Poškodené alebo zauzlené šnúry zvyšujú riziko zásahu elektrickým prúdom.
- e) **Ak pracujete s ručným elektrickým náradím vonku, používajte len také predlžovacie šnúry, ktoré sú schválené pre používanie vo vonkajších priestoroch.** Používanie predlžovacej šnúry určenej do vonkajšieho prostredia znižuje riziko zásahu elektrickým prúdom.
- f) **Ak sa nedá vyhnúť použitiu ručného elektrického náradia vo vlhkom prostredí, použite prerušovač uzemňovacieho obvodu.** Používanie prerušovača uzemňovacieho obvodu znižuje riziko zásahu elektrickým prúdom.

## 3) BEZPEČNOSŤ OSÔB

- a) **Buďte pozorní, dávajte pozor na to, čo robíte a k práci s elektrickým náradím pristupujte rozumne. Nepoužívajte elektrické náradie, keď ste unavení alebo keď ste pod vplyvom drog, alkoholu alebo liekov.** Chvíľa nepozornosti pri používaní náradia môže viesť k vážnym poraneniam.
- b) **Noste osobné ochranné pomôcky, ochranný odev a vždy majte nasadené ochranné okuliare.** Nosenie pracovného odevu a používanie ochranných pomôcok ako ochrannej dýchacej masky, bezpečnostných protišmykových topánok, prilby alebo chrániča sluchu, podľa druhu elektrického náradia, znižuje riziko poranenia.
- c) **Vyhýbajte sa neúmyselnému uvedeniu ručného elektrického náradia do činnosti. Pred zasunutím zástrčky do zásuvky a/alebo pred pripojením akumulátora, pred chytením alebo prenášaním ručného elektrického náradia sa vždy presvedčte sa, či je ručné elektrické náradie vypnuté. Ak budete mať**

pri prenášaní ručného elektrického náradia prst na vypínači, alebo ak ručné elektrické náradie pripojíte na elektrickú sieť zapnutú, môže to mať za následok nehodu.

- d) **Skôr ako ručné elektrické náradie zapnete, odstráňte nastavovacie a montážne nástroje.** Nástroj alebo kľúč, ktorý sa nachádza v pohyblivej časti náradia, môže spôsobiť poranenie.
  - e) **Nepracujte sa. Zabezpečte si pevný postoj a neprestajne udržiavajte rovnováhu.** Taktó budete môcť ručné elektrické náradie v neočakávaných situáciách lepšie kontrolovať.
  - f) **Pri práci noste vhodný pracovný odev. Nenoste široké odevy a nemajte na sebe šperky. Dbajte na to, aby ste mali vlasy, odev a rukavice v dostatočnej vzdialenosti od pohybujúcich sa častí náradia.** Pohybujúce sa časti náradia by mohli zachytiť voľné oblečenie, šperky alebo dlhé vlasy.
  - g) **Ak možno namontovať zariadenie na odsávanie alebo zachytávanie prachu, presvedčte sa, či je pripojené a správne používané.** Používanie odsávacieho zariadenia a zariadenia na zachytávanie prachu znižuje riziko ohrozenia zdravia prachom.
- ## 4) STAROSTLIVÉ ZAOBCHÁDZANIE S ELEKTRICKÝM NÁRADÍM A JEHO POUŽÍVANIE
- a) **Náradie nepreťažujte. Pre svoju prácu používajte určené elektrické náradie.** Pomocou vhodného ručného elektrického náradia budete môcť v uvedenom rozsahu výkonu pracovať lepšie a bezpečnejšie.
  - b) **Nepoužívajte žiadne ručné elektrické náradie, ktoré má pokazený vypínač.** Ručné elektrické náradie, ktoré sa už nedá zapínať alebo vypínať, je nebezpečné a treba ho dať opraviť.
  - c) **Skôr ako začnete náradie nastavovať alebo prestavovať, vymieňať príslušenstvo alebo skôr, ako odložíte náradie, vždy vyťahnite zástrčku sieťovej šnúry zo zásuvky.** Toto bezpečnostné opatrenie zabraňuje neúmyselnému spusteniu náradia.
  - d) **Nepoužívané ručné elektrické náradie uschovávajú mimo dosahu detí. Nedopusťte, aby ručné elektrické náradie používali osoby, ktoré s ním nie sú dôkladne oboznámené, alebo ktoré si neprečítali tento Návod na používanie.** Ak ručné elektrické náradie používajú neskúsené osoby, stáva sa nebezpečným nástrojom.
  - e) **Elektrické náradie starostlivo ošetrujte. Skontrolujte, či pohyblivé súčasti náradia bezchybne fungujú a neblokujú a či nie sú zlomené alebo poškodené niektoré súčasti, ktoré by mohli negatívne ovplyvniť fungovanie ručného elektrického náradia. Pred použitím ručného elektrického náradia dajte poškodené súčasti opraviť.** Nejedna úraz bol spôsobený zle udržiavaným náradím.
  - f) **Používajte nástroje udržiavajte ostré a čisté.** Starostlivo ošetrované nástroje s ostrými reznými hranami sa menej často zablokujú a ich vedenie je podstatne ľahšie.
  - g) **Používajte ručné elektrické náradie, príslušenstvo, pracovné nástroje a pod. podľa týchto pokynov. Zohľadnite pritom konkrétne pracovné podmienky a činnosť, ktorú máte vykonať.** Používanie ručného elektrického náradia na iné ako určené účely môže viesť k nebezpečným situáciám.

## 5) SERVIS

- a) **Ručné elektrické náradie zverte do opravy len kvalifikovanému personálu a používajte len originálne náhradné súčiastky.** Tým sa zabezpečí zachovanie bezpečnosti ručného elektrického náradia.

## BEZPEČNOSTNÉ POKYNY PRE PÍLA S VRATNÝM POHYBOM

### PRÍSLUŠENSTVO

- SKIL zabezpečí hladký chod nástroja len ak sa používa pôvodné príslušenstvo
- Používajte iba príslušenstvo, u ktorého hodnota prípustných obrátok zodpovedá minimálne najvyšším obrátkam náradia

### PRED POUŽITÍM

- Vždy skontrolujte či je napájacie napätie rovnaké ako napätie uvedené na štítku nástroja
- Zabráňte poškodeniu náradia skrutkami, klincami a inými kovovými predmetmi v obrobku; zoberte ich dole prv než začnete pracovať

### ELEKTRICKÁ BEZPEČNOSŤ

- Používajte úplne odmotanú a bezpečnú predžsviaciu šnúru s kapacitou 16 A
- **Držte nástroj za izolované rukoväťe keď robíte niečo kde by sa rezací nástroj mohol dotknúť skrytých elektrických drôtov alebo svojej šnúry** (styk so „živým“ drôtom spôsobí, že aj iné obhalené kovové časti sa stanú vodivými a môžu spôsobiť pracovníkovi elektrický šok)
- **Na vyhľadanie skrytých elektrických vedení, plynových a vodovodných potrubí použite vhodné hľadacie prístroje, alebo sa spojte s príslušným dodávateľom** (kontakt s elektrickým vedením môže mať za následok vznik požiaru alebo spôsobiť zásah elektrickým prúdom; poškodenie plynového potrubia môže spôsobiť výbuch; prevrtanie vodovodného potrubia spôsobí vecné škody, alebo môže spôsobiť zásah elektrickým prúdom)

### BEZPEČNOSŤ OSÔB

- V prípade elektrickej alebo mechanickej poruchy zastavte okamžite nástroj a vyťahnite zástrčku z nástennej zásuvky
- Tento nástroj by nemali používať osoby mladšie ako 16 rokov
- **Neobrábajte materiál, ktorý obsahuje azbest** (azbest sa považuje za rakovinotvorný materiál)
- Prach z materiálu, akým je náter obsahujúci olovo, niektoré druhy dreva, minerály a kovy môže byť škodlivý (styk alebo nádychanie prachu môže spôsobiť alergické reakcie a/alebo respiračné ochorenia obsluhu a okolostojacich osôb); **používajte ochrannú masku tváre a pracujte so zariadením na odsávanie prachu, ak je takéto zariadenie možné pripojiť**
- Určité druhy prachu sú klasifikované ako karcinogénne (akým dubový a bukový prach), a to hlavne v spojení s prísadami pre úpravu dreva; **používajte ochrannú masku tváre a pracujte so zariadením na odsávanie prachu, ak je takéto zariadenie možné pripojiť**
- Dodržujte stanovené nariadenia pre prácu v prašnom prostredí
- **Dbajte na to, aby ruky boli v dostatočnej vzdialenosti od miesta rezu i ostria, druhú ruku majte na drzadle bubna H** ② (ak obe ruky držia pílu, kotúč vás nemôže porezať)

- **Nepokúste sa chytiť opracovaný predmet zospodu** (nedá sa vidieť, či sa druhá ruka nenachádza pri ostří)
  - **Nikdy nedržte opracovaný predmet v rukách alebo na nohách** (dôležité je ho pevne pripevniť aby sa telo čo najviac chránilo pred uviaznutím kotúča alebo stratou kontroly)
  - **Obrobok upevnite pomocou zveráka alebo iného zariadenia** (držanie obrobku v ruke alebo na tele môže spôsobiť stratu kontroly nad náradím)
  - **Nepoužívajte tupé alebo poškodené kotúče** (ohnuté ostrie sa ľahko zlomí alebo spôsobí spätný vrh)
  - **Dbajte, aby ruky boli v dostatočnej vzdialenosti od priestoru medzi telom píly a svorkou listu D** ② (svorka listu by vám mohla priškrpnúť prsty)
  - **Pred rezaním skontrolujte, či je svorka listu D** ② dostatočne upevnená (uvoľnená svorka môže spôsobiť vyklznutie náradia alebo ostria a v konečnom dôsledku stratu kontroly nad náradím)
  - **Pri odstraňovaní listu z náradia používajte ochranné rukavice** (po dlhšej činnosti môže byť list píly horúci)
  - Používajte ochranné okuliare a tlmíče hluku na uši
- ### VYSVETLENIE SYMBOLOV NA NÁSTROJI
- ③ Pred použitím si prečítajte návod na obsluhu
  - ④ Dvojitá izolácia (nevyžaduje sa uzemňovací kábel)
  - ⑤ Nástroj nevyhadzujte do komunálneho odpadu

## POUŽITIE

- Zapínanie/vypínanie ⑥
- Kontrola rýchlosti  
Pomocou kolieska C ② je možné nastaviť rýchlosť rezania od najnižšej po najvyššiu (6 polôh)
- Nastavenie rýchlosti pílenia podľa typu materiálu ⑦  
**! ak náradie nefunguje s kolieskom C ② v polohe 1, zvolte vyššiu píliacu rýchlosť a znížte rýchlosť pílenia keď je náradie zapnuté**
- Montáž listu píly ⑧  
**! odpojte zástrčku**
  - zatlačte svorku listu D dopredu a v tejto polohe ju podržte
  - zasuňte list (zuby smerujú nadol alebo nahor) až na doraz
  - uvoľnite svorku D
  - list vyťahnite pokiaľ prichytka v svorka D nekliekne
  - zatlačte a zaťahajte za list a skontrolujte, či je umiestnený správne**! pred rezaním skontrolujte, či je svorka listu D ② dostatočne upevnená (uvoľnená svorka môže spôsobiť vyklznutie náradia alebo ostria a v konečnom dôsledku stratu kontroly nad náradím)**  
**! skontrolujte, či predný koniec listu vyčnieva zo základnej platne E po celej dĺžke posuvu**
- Vybratie listu píly ⑨
  - zatlačte svorku listu D dopredu a v tejto polohe ju podržte
  - list vytiahnite
  - uvoľnite svorku D
- Nastaviteľná základná platňa ⑩
  - základnú platňu E je možné nahnúť, aby sa v maximálnej možnej miere dotýkala povrchu obrobku
  - nastavenie základnej platne: pevne uchopte pílu a otočte základnú platňu do požadovanej polohy

- Miesto na uschovanie listu ①
  - skontrolujte, či je miesto na uschovanie listu F uzavreté, aby list nevypadol
- Prevádzka nástroja
  - ! **dôkladne upevnite obrobok**
  - vyznačte na obrobku líniu rezu
  - Kolieskom C ② zvolte požadovanú rýchlosť rezania
  - zástrčku pripojte k sieťovému zdroju (kontrolka B sa rozsvieti, čo znamená, že náradie je napájané elektrickou energiou) ⑫
  - položte jednu ruku na rukoväť G ② a druhú na izolované držadlo bubna H ②
  - nástroj zapnite
  - ! **skôr než sa ostrie dotkne obrobku, náradie by malo bežať plnou rýchlosťou**
  - vedte náradie pozdĺž vyznačenej línie rezu
  - základnú platňu E ② držte pevne na obrobku kvôli minimalizácii protipôsobiace sily a vibrácií
- Držanie a vedenie nástroja
  - ! **počas práce vždy držte nástroj v oblasti sivého držadla(ie) ⑬**
  - vetracie štrbiny J ② udržiajte nezakryté
  - na nástroj príliš netlačte; nechajte nástroj robiť prácu za Vás
  - ! **skontrolujte, či list píly prečnieva za obrobkom cez posuv ⑭**
- Nastavenie účinnej hĺbky rezu ⑮
  - pomocou oboch upevňovacích skrutiek K posuňte základnú dosku E dopredu/dozadu, čím zväčšíte/zmenšíte účinnú hĺbku rezu
  - ! **nepokúšajte sa účinnú dĺžku záberu nastaviť pomocou skrutky L, ktorá bola prednastavená počas výroby**

## RADU NA POUŽITIE

- Zapichovacie rezy ⑯
  - Zapichovacie rezy je možné vykonávať do dreva a ďalších mäkkých materiálov a nie je nutné dopredu vrtať otvor
  - použite hrubý list
  - namontujte list tak, aby zuby smerovali nahor
  - náradie uchopte spodnou časťou otočenou nahor
  - vyznačte na obrobku požadovanú líniu rezu
  - pomocou kolieska C zvolte polohu 1, 2 alebo 3
  - náradie nakloňte tak, aby sa list nedotýkal obrobku
  - náradie zapnite a opatrne posúvajte pohybujúci sa list píly do obrobku
  - keď list prenikne do obrobku, pokračujte v rezaní pozdĺž vyznačenej línie rezu
  - ! **zapichovacie rezy nie sú možné na kovových materiáloch**
- Použite vhodné pílové listy ⑰
- Pri rezaní kovov sa pílové listy musia pravidelne mazať olejom
- Rezanie bez rozštiepenia
  - pred rezaním zakryte rezaciu čiaru niekoľkými vrstvami širokej pásky
  - vždy položte rezaný materiál tak aby dobrá strana smerovala dole
- Viac rád nájdete na [www.skil.com](http://www.skil.com)

## ÚDRŽBA / SERVIS

- Tento nástroj nie je vhodný pre profesionálne použitie
- Nástroj a sieťovú šnúru udržiajte stále čistou (zvlášť vetracie štrbiny J ②)
  - ! **pred čistením odpojte z elektrickej siete**
- Ak by nástroj napriek starostlivej výrobe a kontrole predsa len prestal niekedy fungovať, treba dať opravu vykonať autorizovanej servisnej opravovni elektrického náradia SKIL
  - pošlite nástroj **bez rozmontovania** spolu s dôkazom o kúpe; vášmu dilerovi alebo do najbližšieho servisného strediska SKIL (zoznam adries servisných stredísk a servisný diagram nástroja sú uvedené na [www.skil.com](http://www.skil.com))

## ŽIVOTNÉ PROSTREDIE

- **Elektrické náradie, príslušenstvo a balenia nevyhadzujte do komunálneho odpadu** (len pre štáty EÚ)
  - podľa európskej smernice 2012/19/EG o nakladaní s použitými elektrickými a elektronickými zariadeniami a zodpovedajúcich ustanovení právnych predpisov jednotlivých krajín sa použité elektrické náradie musí zbierať oddelene od ostatného odpadu a podrobiť ekologickej šetrnej recyklácii
  - pripomenie vám to symbol ⑤, keď ju bude treba likvidovať

## VYHLÁSENIE O ZHODE CE

### Vratná píla 4900

#### Technické údaje ①

- Na vlastnú zodpovednosť vyhlasujeme, že dole popísaný výrobok "Technické údaje" sa zhoduje s nasledujúcimi normami alebo normatívnymi dokumentami: EN 60745, EN 61000, EN 55014 podľa ustanovení smerníc 2004/108/EG (do 19.04.2016), 2014/30/EU (od 20.04.2016), 2006/42/EG, 2011/65/EU
- **Súbor technickej dokumentácie sa nachádzajú na adrese:** SKIL Europe BV (PT-SEU/ENG1), 4825 BD Breda, NL

Marijn van der Hoofden      Olaf Dijkgraaf  
Operations & Engineering      Approval Manager

SKIL Europe BV, 4825 BD Breda, NL

12.03.2015

## HLUKU/VIBRÁCIACH

- Merané podľa EN 60745 je úroveň akustického tlaku tohto nástroja 90 dB(A) a úroveň akustického výkonu je 101 dB(A) (štandardná odchýlka: 3 dB), a vibrácie sú \* m/s<sup>2</sup> (súčet vektorov troch smerov; nepresnosť K = 1,5 m/s<sup>2</sup>)
  - \* pri rezaní dosky drevotriekovej dosky 12,1 m/s<sup>2</sup>
  - \* pri rezaní dreveného brvna 12,2 m/s<sup>2</sup>
- Hladina emisií od vibrácií bola nameraná v súlade s normalizovaným testom uvedeným v norme EN 60745;



môže sa používať na vzájomné porovnávanie náradí a na predbežné posúdenie vystavenia účinkom vibrácií pri používaní náradia pre uvedené aplikácie

- používanie náradia na rôzne aplikácie, alebo v spojení s rôznymi alebo nedostatočne udržiavanými doplnkami môže značne **zvýšiť** úroveň vystavenia
- časové doby počas ktorých je je náradie vypnuté alebo počas ktorých náradie beží ale v skutočnosti nevykonáva prácu môžu značne **znižit** úroveň vystavenia

**! chráňte sa pred účinkami vibrácií tak, že budete náradie a jeho príslušenstvo správne udržiavať, tak že nebudete pracovať so studenými rukami a tak že si svoje pracovné postupy správne zorganizujete**

HR

## Klipna pila

4900

### UVOD

- Ovaj alat namijenjen za rezanje drva, plastike, metala i građevinskih materijala, kao i za podrezavanje drveća; primjerena je za ravne i zaobljene rezove
- Ovaj uređaj nije namijenjen profesionalnoj upotrebi
- Pažljivo pročitajte i sačuvajte ove upute za rukovanje ③

### TEHNIČKI PODACI ①

### DIJELOVI ALATA ②

- A Prekidač uključeno/isključeno
- B Pokazivač "Uključeno"
- C Kotačić za odabir brzine
- D Hvataljka oštrice
- E Ugodiva osnova
- F Odjeljak za oštrice
- G Drška
- H Držak
- J Otvori za strujanje zraka
- K Svojnjaki za pričvršćenje
- L Vijak za držanje noža

### SIGURNOST

#### OPĆE UPUTE ZA SIGURAN RAD

**⚠ PAŽNJA!** Treba pročitati sve napomene o sigurnosti i upute. Ako se ne bi poštile napomene o sigurnosti i upute to bi moglo uzrokovati strujni udar, požar i/ili teške ozljede. **Sačuvajte sve napomene o sigurnosti i upute za buduću primjenu.** U daljnjem tekstu korišten pojam "električni alat" odnosi se na električne alate s priključkom na električnu mrežu (s mrežnim kablom) i na električne alate s napajanjem iz aku baterije (bez mrežnog kabela).

#### 1) SIGURNOST NA RADNOM MJESTU

- Vaše radno područje održavajte čisto i uredno.**  
Nered ili neosvijetljeno radno područje mogu doći do nezgoda.
- S uređajem ne radite u okolini ugroženoj eksplozijom, u kojoj se nalaze zapaljive tekućine,**

**plinovi ili prašina.** Električni alati proizvode iskre koje mogu zapaliti prašinu ili pare.

- Djecu i ostale osobe držite dalje tijekom korištenja električnog alata.** Ako bi skrenuli pozornost sa posla mogli bi izgubiti kontrolu nad uređajem.

#### 2) ELEKTRIČNA SIGURNOST

- Priključni utikač uređaja treba odgovarati utičnici.** Na utikaču se ni u kojem slučaju ne smiju izvoditi izmjene. **Ne koristite adapterske utikače zajedno sa uređajima koji su zaštićeni uzemljenjem.** Originalni utikač i odgovarajuće utičnice smanjuju opasnost od električnog udara.
- Izbjegavajte dodir tijela s uzemljenim površinama kao što su cijevi, centralno grijanje, štednjaci i hladnjaci.** Postoji povećana opasnost od električnog udara ako je vaše tijelo uzemljeno.
- Držite uređaj dalje od kiše ili vlage.** Prodiranje vode u električni uređaj povećava opasnost od električnog udara.
- Priključni kabel ne koristite za nošenje, vješanje ili za izvlačenje utikača iz utičnice.** Držite kabel dalje od izvora topline, ulja, oštrih rubova ili pomičnih dijelova uređaja. Oštećen ili usukan kabel povećava opasnost od električnog udara.
- Ako s električnim uređajem radite na otvorenom, koristite samo produžni kabel odobren za uporabu na otvorenom.** Primjena produžnog kabela prikladnog za uporabu na otvorenom smanjuje opasnost od električnog udara.
- Ako se ne može izbjeći uporaba električnog alata u vlažnoj okolini, upotrijebite sigurnosna sklopka za propuštanje u zemlju.** Upotrebom sigurnosne sklopke za propuštanje u zemlju smanjuje se opasnost od električnog udara.

#### 3) SIGURNOST LJUDI

- Budite oprezni, pazite što činite i postupajte razumno kod rada s električnim alatom. Ne koristite uređaj ako ste umorni ili pod utjecajem opojnih sredstava, alkohola ili lijekova.** Trenutak nepažnje kod uporabe uređaja može doći do ozbiljnih ozljeda.
- Nosite sredstva osobne zaštite i uvijek zaštitne naočale.** Nošenje sredstava osobne zaštite, kao što je zaštitna maska, sigurnosne cipele koje ne klize, zaštitne kacige ili štitnika za sluh, ovisno od vrste i primjene električnog alata, smanjuje opasnost od nezgoda.
- Izbjegavajte nehotično puštanje u rad. Prije nego što ćete utaknuti utikač u utičnicu i/ili staviti aku-bateriju, provjerite je li električni alat isključen.** Ako kod nošenja električnog alata imate prst na prekidaču ili se uključeni uređaj priključi na električno napajanje, to može dovesti do nezgoda.
- Prije nego što uređaj uključite, uklonite alate za podešavanje ili vijčane ključeve.** Alat ili ključ koji se nalazi u rotirajućem dijelu uređaja može doći do nezgoda.
- Ne precjenjujte svoje sposobnosti. Zauzmite siguran i stabilan položaj tijela i držite u svakom trenutku ravnotežu.** Na taj način možete uređaj bolje kontrolirati u neočekivanim situacijama.
- Nosite prikladnu odjeću. Ne nosite široku odjeću ili nakit.** Neka vaša koža, odjeća i rukavice budu što dalje od pomičnih dijelova. Mlohavu odjeću, nakit ili dugu kosu mogu zahvatiti pomični dijelovi uređaja.

- g) **Ako se mogu montirati naprave za usisavanje i hvatanje prašine, provjerite da li su iste priključene i da li se pravilno koriste.** Primjena naprave za usisavanje može smanjiti ugroženost od prašine.

#### 4) BRIZLJIVA UPORABA ELEKTRIČNIH ALATA

- a) **Ne preopterećujte uređaj. Koristite za vaše radove za to predviđen električni alat.** S odgovarajućim električnim alatom radit ćete bolje i sigurnije, u navedenom području učinka.
- b) **Ne koristite električni alat čiji je prekidač neispravan.** Električni alat koji se više ne može uključiti ili isključiti, opasan je i treba se popraviti.
- c) **Izvućite utikač iz mrežne utičnice i/ili izvadite aku-bateriju prije podešavanja uređaja, zamjene pribora ili odlaganja uređaja.** Ovim mjerama opreza spriječit će se nehotično pokretanje uređaja.
- d) **Nekorištene električne alate spremite izvan dosega djece. Ne dopustite da uređaj koriste osobe koje s njim nisu upoznate ili koje nisu pročitale upute za uporabu.** Električni alati su opasni ako ih koriste neiskusne osobe.
- e) **Uređaj održavajte s pažnjom. Kontrolirajte da li pomični dijelovi uređaja besprijekorno rade i da nisu zaglavljeni, te da li su dijelovi polomljeni ili tako oštećeni da negativno djeluju na funkciju uređaja. Popravite oštećene dijelove prije uporabe uređaja.** Mnoge nezgode imaju svoj uzrok u loše održanim uređajima.
- f) **Rezne alate održavajte ostrim i čistim.** Pažljivo održavani rezni alati s ostrim oštricama neće se zaglaviti i lakši su za vođenje.
- g) **Koristite električne alate, pribor, radne alate, itd., prema navedenim uputama. Pri tome uzmite u obzir radne uvjete i radove koje se izvode.** Uporaba električnih alata za neke druge primjene različite od predviđenih, može doći do opasnih situacija.

#### 5) SERVIS

- a) **Popravlak uređaja prepustite samo kvalificiranom stručnom osoblju i samo s originalnim rezervnim dijelovima.** Na taj će se način postići održanje stalne sigurnosti uređaja.

#### UPUTE ZA SIGURAN RAD S KLIPNE PILE

##### PRIBOR

- SKIL može osigurati besprijekoran rad uređaja samo ako se koristi originalni pribor
- Upotrebljavajte pribor čija dopuštena brzina odgovara najvećoj brzini alata u praznom hodu

##### PRIJE UPORABE

- Uvijek provjerite je li napon napajanja isti kao onaj naveden na tipskoj pločici uređaja
- Izbjegavajte oštećenja od vijaka, čavala i sličnih predmeta na vašem izratku; prije početka rada ih izvadite

##### ELEKTRIČNA SIGURNOST

- Upotrebljavajte samo neodmotane i zaštićene produžne kabele kapaciteta 16 ampera
- **Uređaj držati za izolirane površine ručki, ako kod rezanja postoji opasnost da list pile zareže skrivene električne vodove ili vlastiti priključni kabel** (kontakt s električnim vodom pod naponom učinit će vodljivim i metalne dijelove uređaja i doći do električnog udara osobe koja radi uređajem)

- **Koristite prikladne uređaje za traženje napona kako bi se pronašli skriveni napojni vodovi ili se savjetuje s lokalnim distributerom** (kontakt s električnim vodovima mogao bi doći do požara i električnog udara; oštećenje plinske cijevi moglo bi dovesti do eksplozije; probijanje vodovodne cijevi uzrokuje materijalne štete ili može uzrokovati električni udar)

##### SIGURNOST LJUDI

- U slučaju neuobičajenog ponašanja uređaja ili neobičnih šumova, uređaj treba odmah isključiti i izvući utikač iz mrežne utičnice
- Uređaj ne bi smjele koristiti osobe mlađe od 16 godina
- **Ne obrađujte materijal koji sadrži azbest** (azbest se smatra kancerogenim)
- Prašina od materijala kao što su boje koje sadrže olovo, neke vrste drveća, minerali i metal mogu biti opasne (dodir s prašinom ili njeno udisanje mogu prouzročiti alergične reakcije i/ili respiratorna oboljenja rukovatelja ili posmatrača); **nosite masku za zaštitu od prašine i radite s uređajem za ekstrakciju prašine ukoliko ga možete priključiti**
- Određene vrste prašine klasificiraju se kao karcinogenske (kao što su prašina hrastovine i bukovine), osobito u sudejstvu s aditivima za kondicioniranje drveta; **nosite masku za zaštitu od prašine i radite s uređajem za ekstrakciju prašine ukoliko ga možete priključiti**
- Nacionalni uvjeti za materijale s kojima želite raditi
- **Ruke držite podalje od područja rezanja i oštrice; drugu ruku držite na dršku H ②** (ako se obim rukama drži pila, tada se na njoj ne možete poredati)
- **Ne stavljajte ruke ispod izratka** (udaljenost oštrice od vaše ruke nije vidljiva)
- **Nikada ne držati izradak koji se pili rukama ili preko nogu** (važno je da se izradak pravilno osloni, kako bi se smanjilo izlaganje tijela, uklještenje lista pile, ili gubitak kontrole)
- **Koristite hvataljke ili drugu opremu da biste osigurali i učvrstili izradak** (držeci predmet u ruci ili oslanjajući ga o tijelo možete izgubiti kontrolu)
- **Ne koristiti tupe ili oštećene listove pile** (savijene se oštrice lako lome ili uzrokuju povratni udarac)
- **Ruke držite podalje od kućišta alata i hvataljke oštrice D ②** (hvataljka oštrice može vam priklještit prste)
- **Provjerite je li hvataljka oštrice D ② čvrsto zategnuta prije piljenja** (ako je hvataljka labava, alat ili oštrica mogu skliznuti te uzrokovati gubitak kontrole nad alatom)
- **Koristite zaštitne rukavice prije uklanjanja oštrice s alata** (oštrica pile može se ugrijati nakon dulje uporabe)
- Nositi zaštitne naočale i štitnike za sluh

##### POJAŠNJENJE SIMBOLA NA UREĐAJU

- ③ Prije upotrebe pročitajte korisnički priručnik
- ④ Dvostruka izolacija (dozamna žica nije potrebna)
- ⑤ Uređaj ne bacajte u kućni otpad

##### POSLUŽIVANJE

- Uključivanje/isključivanje ⑥
- Kontrola brzine  
Brzina piljenja može se namjestiti od spore do brze (6 brzina) uz pomoć kotačića C ②

- Broj hodova prilagoditi obrađivanom materijalu ⑦  
! **ako uređaj ne radi s kotačićem C ② u položaju 1, treba odabrati veći broj hodova i smanjiti broj hodova kod alata koji radi**
- Montiranje oštrice pile ⑧  
! **izvući mrežni utikač**  
- pritisnite hvataljku oštrice D prema naprijed i zadržite je u tom položaju  
- umetnite oštricu (zubima okrenutim prema dolje ili gore)  
- otpustite hvataljku oštrice D  
- oštricu malo izvucite, sve dok hvataljka D ne klikne u četverokutni položaj  
- pritisnite i povucite oštricu da biste provjerili je li oštrica ispravno umetnuta  
! **provjerite je li hvataljka oštrice D ② čvrsto zategnuta prije piljenja (ako je hvataljka labava, alat ili oštrica mogu skliznuti te uzrokovati gubitak kontrole nad alatom)**  
! **provjerite ide li prednji kraj oštrice kroz osnovu E čitavom dužinom**
- Vađenje oštrice pile ⑨  
- pritisnite hvataljku oštrice D prema naprijed i zadržite je u tom položaju  
- izvucite oštricu  
- otpustite hvataljku oštrice D
- Ugodiva osnova ⑩  
- osnova E se naginje kako bi što veća površina podloge bila u dodiru s izratkom  
- osnovu ugodite snažno držeći i okrećući je u željeni položaj
- Odjeljak za oštricu ⑪  
- provjerite je li odjeljak F zatvoren kako oštrice ne bi ispale
- Posluživanje uređaja  
! **hvataljkama osigurajte izradak**  
- označite liniju rezanja na izratku  
- željenu brzinu piljenja odredite pomoću kotačića C ②  
- utikač umetnite u izvor napajanja (uključuje se lampica B, koja označava da uređaj ima struje) ⑫  
- jednom rukom držite dršku G ②, a drugom izolirani držak H ②  
- uključite uređaj  
! **alat treba raditi punom brzinom prije nego oštrica uđe u izradak**  
- alatom pratite označenu liniju rezanja  
- osnovu E ② držite čvrsto da biste umanjili povratnu silu i vibriranje
- Držanje i vođenje uređaja  
! **alat kod primjene, držati samo na sivo označenim područjima ⑬**  
- otvore za strujanje zraka J ② držite nepokriveno  
- ne djelujte prevelikim pritiskom na uređaj; ostavite uređaju da radi za vas  
! **provjerite prolazi li oštrica pile kroz cijeli izradak ⑭**
- Podešavanje efektivne dubine piljenja ⑮  
- da biste povećali/smanjili efektivne dubine piljenja, koristite oba svornjaka za pričvršćenje K kako biste podnožje E pomicali naprijed/nazad  
! **duljinu efektivnog reza ne podešavajte vijkom L, koji je podešen tvornički**

## SAVJETI ZA PRIMJENU

- Nagibno piljenje ⑯  
Nagibno piljenje može se izvoditi u drvenim i mekanim materijalima bez prethodnog bušenja rupe  
- koristite debelu oštricu pile  
- montirajte oštricu sa zupcima okrenutima prema gore  
- držite pilu naopako kao na slici  
- označite željenu liniju rezanja na izratku  
- kotačićem C odaberite položaj 1, 2 ili 3  
- nagnite alat tako da oštrica ne dodiruje izradak  
- uključite alat i pažljivo pritisnite oštricu pile u izradak  
- kada oštrica prođe u izradak nastavite pratiti liniju rezanja  
! **metalne materijale ne pilite nagibno**
- Treba koristiti odgovarajuće listove pile ⑰
- Kod rezanja metala list pile treba redovito podmazivati uljem
- Rezanje bez stvaranja iveraka  
- liniju rezanja proširiti s više slojeva i prije početka rada oblijepiti ljepljivom trakom  
- površinu izratka uglavnom okrenuti prema dolje
- Dodatne savjete možete naći na adresi [www.skil.com](http://www.skil.com)

## ODRŽAVANJE / SERVISIRANJE

- Ovaj uređaj nije namijenjen profesionalnoj upotrebi
- Održavajte čistim uređaj i kabel (osobito otvore za hlađenje J ②)  
! **prije čišćenja treba izvući mrežni utikač**
- Ako bi uređaj unatoč brižljivih postupaka izrade i ispitivanja ipak prestao raditi, popravak treba prepustiti ovlaštenom servisu za SKIL električne alate  
- uređaj treba **nerastavljeno** predati, zajedno s računom o kupnji u najbližu SKIL ugovornu servisnu radionicu (popise servisa, kao i oznake rezervnih dijelova uređaja možete naći na adresi [www.skil.com](http://www.skil.com))

## ZAŠTITA OKOLIŠA

- **Električne alate, pribor i ambalažu ne bacajte u kućni otpad** (samo za EU-države)  
- prema Europskoj direktivi 2012/19/EG o staroj električnoj i elektroničkoj opremi i njenoj primjeni u skladu sa nacionalnim zakonom, istrošeni električni alati moraju se sakupljati odvojeno i odvesti u posebne pogone za reciklažu  
- na to podsjeća simbol ⑤ kada se javi potreba za odlaganjem

## DEKLARACIJA O SUKLADNOSTI CE

Klipna pila 4900

Tehnički podaci ①

- Izjavljujemo uz punu odgovornost da je ovaj proizvod opisan u "Tehnički podaci" usklađen sa sljedećim normama ili normativnim dokumentima: EN 60745, EN 61000, EN 55014, prema odredbama smjernica 2004/108/EG (do 19.04.2016), 2014/30/EU (od 20.04.2016), 2006/42/EG, 2011/65/EU

- **Tehnička dokumentacija se može dobiti kod:** SKIL Europe BV (PT-SEU/ENG1), 4825 BD Breda, NL

Marijn van der Hoofden      Olaf Dijkgraaf  
Operations & Engineering      Approval Manager

SKIL Europe BV, 4825 BD Breda, NL

12.03.2015

## BUCI/VIBRACIJAMA

- Mjereno prema EN 60745 prag zvučnog tlaka ovog električnog alata iznosi 90 dB(A) a jakost zvuka 101 dB(A) (standardna devijacija: 3 dB), a vibracija \* m/s<sup>2</sup> (vektorski zbroj u tri smjera; nesigurnost K = 1,5 m/s<sup>2</sup>)
    - \* kod rezanja ploča od iverice 12,1 m/s<sup>2</sup>
    - \* kod rezanja drvenih greda 12,2 m/s<sup>2</sup>
  - Razina emitiranja vibracija izmjerena je sukladno normiranom testu danom u EN 60745; ona se može koristiti za usporedbu jedne alatke s drugom, te preliminarnu procjenu izloženosti vibracijama pri uporabi alatke za navedene namjene
    - uporaba ove alatke za druge namjene ili s drugim ili slabo održanim nastavcima, može u značajnoj mjeri **uvećati** razinu izloženosti
    - vrijeme tokom kojega je alatka isključena, ili je uključena ali se njome ne radi, može značajno **umanjiti** razinu izloženosti
- ! zaštitite se od posljedica vibracija održavanjem alatke i njezinih nastavaka, održavanjem Vaših ruku toplima, te organiziranjem Vaših obrazaca rada**

SRB

## Povratna testera

4900

## UPUTSTVO

- Ovaj alat je namenjen za sečenje drveta, plastike, metala i građevinskih materijala kao i za rezanje i potkresivanje drveta; pogodan je za pravolinijsko i krivolinijsko sečenje
  - Ovaj alat nije namenjen za profesionalnu upotrebu
  - Pažljivo pročitajte i sačuvajte ova uputstva za rukovanje
- ③

## TEHNIČKI PODACI ①

### ELEMENTI ALATA ②

- A Prekidač za uključivanje/isključivanje
- B Indikator "Uključeno"
- C Točkić za biranje brzine
- D Spona sečiva
- E Podesivi podnožni oslonac
- F Odeljak za sečivo
- G Ručica
- H Držać
- J Prerezi za hlađenje
- K Zavrtnji za pričvršćivanje
- L Zavrtnj držača sečiva

## SIGURNOST

### OPŠTA UPUTSTVA O SIGURNOSTI

**⚠ PAŽNJA!** Čitajte sva upozorenja i uputstva. Propusti kod pridržavanja upozorenja i uputstava mogu imati za posledicu električni udar, požar i/ili teške povrede. **Čuvajte sva upozorenja i uputstva za budućnost.** Pojam upotrebljen u upozorenjima "električni alat" odnosi se na električne alate sa radom na mreži (sa mrežnim kablom) i na električne alate sa radom na akumulator (bez mrežnog kabla).

### 1) SIGURNOST NA RADNOM MESTU

- a) **Držite Vaše područje rada čisto i pospremljeno.** Nered ili neosvetljena radna područja mogu voditi nesrećama.
- b) **Ne radite sa aparatom u okolini ugroženoj od eksplozija u kojoj se nalaze zapaljive tečnosti, gasovi ili prašine.** Električni alati proizvode varnice, koje mogu zapaliti prašinu ili isparenja.
- c) **Za vreme korišćenja električnog alata držite podalje decu i druge osobe.** Kod skretanja možete izgubiti kontrolu nad aparatom.

### 2) ELEKTRIČNA SIGURNOST

- a) **Utikač za priključak aparata mora odgovarati utičnoj kutijici. Utikač se nesme nikako menjati. Ne upotrebljavajte adaptere utikača zajedno sa aparatima sa uzemljenom zaštitom.** Ne promenjeni utikači i odgovarajuće utičnice smanjuju rizik od električnog udara.
- b) **Izbegavajte telasni kontakt sa uzemljenim gornjim površinama, kao što su cevi, grejanja, šporeti i rashladni ormani.** Postoji povećani rizik od električnog udara, ako je Vaše telo uzemljeno.
- c) **Držite aparat podalje od kiše ili vlage.** Prodiranje vode u električni aparat povećava rizik od električnog udara.
- d) **Ne koristite kabl da bi aparat nosili, obesili ili ga izvlačili iz utičnice. Držite kabl dalje od vreline, ulja, oštih ivica ili pokretnih delova aparata.** Oštećeni ili zamršeni kablovi povećavaju rizik od električnog udara.
- e) **Ako sa nekim električnim alatom radite u prirodi, upotrebljavajte samo produžne kablove koji su dozvoljeni za spoljno područje.** Upotreba produžnog kabla pogodnog za spoljno područje smanjuje rizik od električnog udara.
- f) **Ako rad električnog alata ne može da se izbegne u vlažnoj okolini, koristite prekidač strujne zaštite pri kvaru.** Upotreba prekidača strujne zaštite pri kvaru smanjuje rizik od električnog udara.

### 3) SIGURNOST OSOBA

- a) **Budite pažljivi, pazite na to, šta radite i idite razumno na posao sa električnim alatom. Ne upotrebljavajte aparat, kada ste umorni ili pod uticajem droga, alkohola ili lekova.** Momenat nepažnje kod upotrebe aparata može voditi do ozbiljnih povreda.
- b) **Nosite ličnu zaštitnu opremu i uvek zaštitne naočare.** Nošenje lične zaštitne opreme, kao maske za prašinu, sigurnosne cipele koje ne klizaju, zaštitni šlem ili zaštitu za sluh, zavisno od vrste i upotrebe električnog alata, smanjujete rizik od povreda.

- c) **Izbegavajte nenamerno puštanje u rad. Uverite se da je električni alat isključen, pre nego što ga priključite na struju i/ili na akumulator, uzmete ga ili nosite.** Ako prilikom nošenja električnog alata držite prst na prekidaču ili aparat uključuje priključujete na struju, može ovo voditi nesrećama.
- d) **Uklonite alate za podešavanje ili ključeve za zavrtnje, pre nego što uključite aparat.** Alat ili ključ koji se nalazi u delu aparata koji se okreće, može voditi povredama.
- e) **Ne precenjujte sebe. Pobrinite se da sigurno stojite i održavajte u svako doba ravnotežu.** Na taj način možete bolje kontrolisati aparat u neočekivanim situacijama.
- f) **Nosite pogodno odelo. Ne nosite široko odelo ili nakit. Držite kosu, odelo i rukavice podalje od pokretnih delova.** Opušteno odelo, nakit ili duža kosa mogu biti zahvaćeni od rotirajućih delova.
- g) **Ako se mogu montirati uredjaji za usisavanje prašine i uredjaji za hvatanje prašine, uverite se da li su priključeni i ispravno koriste.** Upotreba usisavanja prašine može smanjiti opasnosti od prašine.
- 4) BRIŽLJIVO OPHODJENJE I KORIŠĆENJE ELEKTRIČNIH ALATA**
- a) **Ne preopterećujte aparat. Upotrebljavajte za Vaš posao električni alat određen za to.** Sa odgovarajućim električnim alatom radićete bolje i sigurnije u navedenom području rada.
- b) **Ne upotrebljavajte električni alat, čiji je prekidač u kvaru.** Električni alat koji više ne može da se uključi ili isključi je opasan i mora da se popravi.
- c) **Izvućite utikač iz utičnice i/ili uklonite akumulator pre nego što preduzmete podešavanja na aparatu, promenu delova pribora ili ostavite aparat.** Ova mera opreza sprečava nenamernan start aparata.
- d) **Čuvajte nekorišćene električne alate izvan domašaja dece. Ne dopustite osobama da koriste aparat, koje ga ne poznaju ili nisu pročitali ova uputstva.** Električni alati su opasni, ako ih koriste neiskusne osobe.
- e) **Održavajte aparat brižljivo. Kontrolišite, da li pokretni delovi aparata funkcionišu besprekorno i ne slepljuju, da li su delovi slomljeni ili tako oštećeni, da je funkcija aparata oštećena. Popravite oštećene delove pre upotrebe aparata.** Mnoge nesreće imaju svoj uzrok u loše održavanim električnim alatima.
- f) **Držite alate za sečenja oštre i čiste.** Brižljivo negovani alati za sečenje sa oštrim sečivima manje slepljuju i lakše se vode.
- g) **Upotrebljavajte električne alate, pribor, alate koji se umeću itd. prema ovim uputstvima. Obratite pažnju pritom na uputstva za rad i posao koji treba izvesti.** Upotreba električnih alata za druge od propisanih namena može voditi opasnim situacijama.
- 5) SERVIS**
- a) **Neka Vam Vaš aparat popravljaju samo kvalifikovano stručno osoblje i samo sa originalnim rezervnim delovima.** Na taj način se obezbeđuje da ostane sačuvana sigurnost aparata.

## SIGURNOSNA UPUTSTVA ZA UBODNE TESTERE

### PRIBOR

- SKIL može priznati garanciju samo ukoliko je korišćen originalni pribor
- Koristite samo pribor čija je dozvoljena brzina u najmanju ruku jednaka najvećoj brzini pri praznom hodu električnog alata

### PRE UPOTREBE

- Uvek se uverite da je napon struje isti kao i napon naveden na pločici sa nazivom alatu
- Izbegavajte oštećenja od šrafova, eksera i drugih predmeta na vašem području rada; uklonite ih pre nego što započnete rad

### ELEKTRIČNA SIGURNOST

- Produžni kabl koji koristite mora da bude sasvim odmotan i siguran, sa kapacitetom od 16 A
- **Ukoliko alat pri radu može da dođe u kontakt sa skrivenim žicama ili svojim kablom, držite ga na izolovanim stabilnim površinama** (kontakt sa žicom pod naponom će učiniti i metalne delove električnog alata pod naponom i izazvati strujni udar)
- **Koristite odgovarajuće aparate za proveru dali se u zidu koji budete nalaze skrivene instalacije, ili za taj posao nađite odgovarajuće preduzeće** (kontakt sa električnim vodovima može izazvati požar ili električni udar; oštećenje gasovoda može izazvati eksploziju; probijanje cevi sa vodom uzrokuje štete ili može izazvati električni udar)

### SIGURNOST OSOBA

- U slučaju da dođe do električnog ili mehaničkog kvara, odmah isključite alat i iskopčajte ga iz utičnice
- Ovaj alat ne treba da koriste osobe ispod 16 godina
- **Ne obradjujte nikakav materijal koji sadrži azbest** (azbest važi kao izazivač raka)
- Prašina od materijala, kao što su boja koja sadrži olovo, neke vrste drveta, minerali i metal, može biti opasna (dodir ili udisanje prašine može prouzrokovati alergijske reakcije i/ili respiratorna oboljenja rukovaoca i lica u blizini); **nosite masku protiv prašine i radite uz uključeni uređaj za ekstrakciju prašine kada radite na mestima gde ju je moguće priključiti**
- Određene vrste prašine su klasifikovane kao kancerogene (kao što su prašina hrastovine i bukovine), posebno u sadejstvu sa aditivima za pripremu drveta; **nosite masku protiv prašine i radite uz uključeni uređaj za ekstrakciju prašine kada radite na mestima gde ju je moguće priključiti**
- Prati nacionalne propise vezane za prašinu koja se proizvodi prilikom rada na obrađivanim materijalima
- **Ruke držite podalje od oblasti sečenja i sečiva; drugu ruku držite na držaču H** (ako testeru držite obema rukama, sečivo ne može da ih povredi)
- **Nemojte da posežete ispod područja rada** (vi ne možete videti koliko je sečivo udaljeno od vaše ruke)
- **Deo koji se seče nikada nemojte da držite u rukama ili na nogama** (ispravno rukovanje je veoma važno da bi se smanjila izloženost tela opasnostima, povezivanje sečiva ili gubitak kontrole)
- **Koristite stezaljke ili drugu opremu da biste pričvrstili i poduprli područje rada** (ako držite područje rada u ruci ili prislono uz telo, možete izgubiti kontrolu)

- **Nemojte da koristite tupo ili oštećeno sečivo** (savijena sečiva se lako mogu polomiti ili prouzrokovati trzanje)
- **Ruke držite podalje od prostora između kućišta alata i spona sečiva D** ② (spona sečiva vam može uštinuti prste)
- **Proverite da li je spona sečiva D** ② dobro pričvršćena pre nego što počnete sa sečenjem (labava spona može dovesti do ispadanja alata ili sečiva, što za posledicu ima gubitak kontrole)
- **Koristite zaštitne rukavice prilikom uklanjanja sečiva iz alata** (sečivo testere može biti vruće posle duže upotrebe)
- Nosite zaštitne naočari i zaštitu za sluh

#### **OBJAŠNJENJE SIMBOLA NA ALATU**

- ③ Pročitajte uputstvo za korišćenje pre prve upotrebe
- ④ Dvostruka izolacija (nije potrebna žica za uzemljenje)
- ⑤ Alat ne odlažite u kućne otpatke

## **UPUTSTVO ZA KORIŠĆENJE**

- Uključivanje/isključivanje ⑥
- Kontrola brzine  
Pomoću točkica C ② brzina testerisanja se može podešavati od male do velike (6 pozicija)
- Podešavanje brzine testerisanja prema materijalu koji se koristi ⑦  
**! ako alat ne radi sa točkicom C ② u poziciji 1, izaberite veću brzinu testerisanja i smanjite je lagano dok alat radi**
- Postavljanje sečiva testere ⑧  
**! iskopčajte utikač**  
- gurnite sponu sečiva D unapred i zadržite je u tom položaju  
- ubacite sečivo (sa zupcima okrenutim nadole ili nagore) do kraja  
- otpustite sponu sečiva D  
- malo povucite sečivo dok se spona D ne zaključa (klik) u odgovarajuću poziciju  
- pokušajte da pomerite sečivo da biste proverili da li je ispravno zaključano  
**! proverite da li je spona sečiva D ② dobro pričvršćena pre nego što počnete sa sečenjem (labava spona može dovesti do ispadanja alata ili sečiva, što za posledicu ima gubitak kontrole)**  
**! proverite da li se prednji deo sečiva prostire preko podnožnog oslonca E čitavom dužinom poteza**
- Skidanje sečiva testere ⑨  
- gurnite sponu sečiva D unapred i zadržite je u tom položaju  
- izvucite sečivo  
- otpustite sponu sečiva D
- Podesivi podnožni oslonac ⑩  
- podnožni oslonac E se naginje kako bi najveći deo njegove površine bio u kontaktu sa područjem rada  
- podesite podnožni oslonac tako što ćete čvrsto držati testeru i okrenuti podnožni oslonac u željeni položaj
- Odeljak za sečivo ⑪  
- proverite da li je odeljak F zatvoren kako biste sprečili ispadanje sečiva

- Rukovanje alatom  
**! pričvrstite područje rada**  
- obeležite liniju sečenja na području rada  
- izaberite željenu brzinu testerisanja pomoću točkica C ②  
- priključite utikač na mrežnu utičnicu (svetlo indikatora B se uključuje pokazujući da alat dobija napajanje) ⑫  
- jednom rukom obuhvatite ručicu G ② na alatu, a drugom izolovani držač H ②  
- uključite alat  
**! električni alat bi trebalo da bude u punoj brzini pre nego što sečivo dodirne područje rada**  
- prevlačite alat preko označene linije sečenja  
- podnožni oslonac E ② se mora držati čvrsto na području rada kako bi se umanjila protiv-sila i vibracije
- Držanje i upravljanje alata  
**! dok radite, uvek držite alat za mesto(a) koje(a) su označena sivom bojom** ⑬  
- prerezi za hlađenje J ② moraju da budu otvoreni  
- ne pritiskati alat previše, pustite da alat sam radi  
**! proverite da li sečivo testere seže preko područja rada u potezu** ⑭
- Podešavanje efektivne dubine sečenja ⑮  
- koristite oba zavrtnja za pričvršćavanje K za pomeranja podnožnog oslonca E napred/nazad kako bi se povećala/smanjila efektivne dubine sečenja  
**! ne pokušavajte da podesite efektivnu dužinu poteza pomoću zavrtnja L koji je fabrički podešen**

## **SAVETI ZA PRIMENU**

- Uronjeno sečenje ⑯  
Uronjeni rezovi se mogu načiniti u drvetu i ostalim mekim materijalima bez prethodnog bušenja rupe  
- koristite čvrsto sečivo testere  
- postavite sečivo tako da zupci budu okrenuti nagore  
- držite sečivo u izvnutom položaju kao što je prikazano  
- obeležite željenu liniju sečenja na području rada  
- izaberite poziciju 1, 2 ili 3 pomoću točkica C  
- nagnite alat tako da sečivo ne dodiruje područje rada  
- uključite alat i pažljivo ubacite sečivo testere u pokretu u područje rada  
- kada sečivo proreže područje rada, nastavite sa sečenjem duž obeležene linije sečenja  
**! nemojte praviti uronjene rezove u metalnim materijalima**
- Koristite odgovarajuće sečivo ⑰
- Kada sečete metal stavite sečivo podmazano uljem
- Sečenje bez krhotina  
- prekrijte liniju sečenja višeslojnim ili širokim trakama pre sečenja  
- lice materijala je okrenuto naniže na radnom mestu
- Za više saveta pogledajte [www.skil.com](http://www.skil.com)

## **ODRŽAVANJE / SERVIS**

- Ovaj alat nije namenjen za profesionalnu upotrebu
- Alat i kabl uvek održavajte čistim (posebno otvore za hlađenje J ②)  
**! pre čišćenja iskopčajte kabl iz utičnice**
- Ako bi alat i pored brižljivog postupka izrade i kontrole nekada otkazao, popravku mora vršiti neki autorizovani servis za SKIL-električne alate

- pošaljite **nerastavljeni** alat zajedno sa potvrdom o kupovini vašem nabavljaču ili najbližem SKIL servisu (adrese i oznake rezervnih delova možete naći na [www.skil.com](http://www.skil.com))

## ZAŠTITA OKOLINE

- **Električne alate, pribora i ambalaže ne odlažite u kućne otpatke** (samo za EU-države)
  - prema Europskoj direktivi 2012/19/EG o staroj električnoj i elektronskoj opremi i njenoj upotrebi u skladu sa nacionalnim pravom, električni alati koji su istrošeni moraju biti sakupljeni odvojeno i dostavljeni pogonu za reciklažu
  - simbol ⑤ će vas podsetiti na to

## DEKLARACIJA O USKLAĐENOSTI CE

### Povratna testera 4900

#### Tehnički podaci ①

- Izjavljujemo na vlastitu odgovornost da je pod "Tehnički podaci" opisani proizvod usaglašen sa sledećim standardima ili normativnim aktima: EN 60745, EN 61000, EN 55014 prema odredbama smernica 2004/108/EG (do 19.04.2016), 2014/30/EU (od 20.04.2016), 2006/42/EG, 2011/65/EU
- **Tehnička dokumentacija kod:** SKIL Europe BV (PT-SEU/ENG1), 4825 BD Breda, NL

Marijn van der Hoofden  
Operations & Engineering

Olaf Dijkgraaf  
Approval Manager

SKIL Europe BV, 4825 BD Breda, NL

12.03.2015

## BUKA/VIBRACIJE

- Mereno u skladu sa EN 60745 nivo pritiska zvuka ovog alata iznosi 90 dB(A) a jačina zvuka 101 dB(A) (normalno odstupanje: 3 dB), a vibracija \* m/s<sup>2</sup> (zbir vektora tri pravca; nesigurnost K = 1,5 m/s<sup>2</sup>)
  - \* pri sečenju ivericama 12,1 m/s<sup>2</sup>
  - \* pri sečenju drvene grede 12,2 m/s<sup>2</sup>
- Nivo emisije vibracija izmeren je u skladu sa standardizovanim testom datim u EN 60745; on se može koristiti za upoređenje jedne alatke sa drugom, kao i za preliminarnu procenu izloženosti vibracijama pri korišćenju ove alatke za pomenute namene
  - korišćenje alatke u drugačije svrhe ili sa drugačijim ili slabo održavanim nastavcima može značajno **povećati** nivo izloženosti
  - vreme kada je alatka isključena ili kada je uključena, ali se njome ne radi, može značajno  **smanjiti** nivo izloženosti
- ! **zaštite se od posledica vibracija održavanjem alatke i njenih nastavaka, održavajući Vaše ruke toplim i organizovanjem Vaših radnih obrazaca**

SLO

## Sabljasta žaga

4900

## UVOD

- To orodje je namenjeno rezanju lesa, plastike, kovinskih in gradbenih materijalov, kakor tudi obrezovanju drevja; primerno je tako za ravne kot tudi krive reze
- To orodje ni namenjeno profesionalni uporabi
- Preberite in shranite navodila za uporabo ③

## TEHNIČNI PODATKI ①

### DELI ORODJA ②

- A Stikalo vklopi/izklopi
- B Signalna lučka za "vklop"
- C Kolesce za izbiro hitrosti
- D Objemka za rezilo
- E Gibljivi ščit
- F Predel za shranjevanje rezil
- G Ročka
- H Cev za prijem
- J Ventilacijske reže
- K Pritrdilni sorniki
- L Vijak za držalo za rezilo

## VARNOST

### SPLOŠNA VARNOSTNA NAVODILA

#### **⚠ OPOZORILO! Preberite vsa opozorila in napolita.**

Napake zaradi neupoštevanja spodaj navedenih opozoril in napotil lahko povzročijo električni udar, požar in/ali težke telesne poškodbe. **Vsa opozorila in napolita shranite, ker jih boste v prihodnje še potrebovali.** Pojem "električno orodje", ki se pojavlja v nadaljnjem besedilu, se nanaša na električna orodja z električnim pogonom (z električnim kablom) in na akumulatorska električna orodja (brez električnega kabla).

#### 1) VARNOST NA DELOVNEM MESTU

- a) **Poskrbite, da bo Vaše delovno mesto vedno čisto in urejeno.** Nered ali neosvetljena delovna področja lahko povzročijo nezgode.
- b) **Prosimo, da orodja ne uporabljate v okolju, kjer je nevarnost za eksplozije in v katerem se nahajajo gorljive tekočine, plini in prah.** Električna orodja povzročajo iskrjenje, zato se gorljivi prah ali pare lahko vnamejo.
- c) **Ne dovolite otrokom in drugim osebam, da bi se medtem ko delate, približali električnemu orodju.** Druge osebe lahko odvrnejo Vašo pozornost drugam in izgubili boste nadzor nad orodje.

#### 2) ELEKTRIČNA VARNOST

- a) **Vtič mora ustrezati električni vtičnici in ga pod nobenim pogojem ne smete spreminjati.** Uporaba adapterskih vtičev v kombinaciji z ozemljena orodja ni dovoljena. Originalni oziroma nespremenjeni vtiči in ustrezne vtičnice zmanjšujejo tveganje električnega udara.

- b) **Izogibajte se telesnemu stiku z ozemljenimi površinami, na primer s cevmi, grelci, štedilniki in hladilniki.** Če je ozemljeno tudi vaše telo, obstaja povečano tveganje električnega udara.
- c) **Zavarujte orodje pred dežjem ali vlago.** Vdor vode v električno orodje povečuje tveganje električnega udara.
- d) **Električnega kabla ne uporabljajte za prenašanje ali obešanje orodja in ne vlečite vtič iz vtičnice tako, da vlečete za kabel. Zavarujte kabel pred vročino, oljem, ostrimi robovi in premikajočimi se deli orodja.** Poškodovani ali prepleteni kabli povečujejo tveganje električnega udara.
- e) **Če z električnim orodjem delate na prostem, uporabljajte izključno kabelski podaljšek, ki je atestiran za delo na prostem.** Uporaba kabelskega podaljška, primerne za delo na prostem, zmanjšuje tveganje električnega udara.
- f) **Če je uporaba električnega orodja v vlažnem okolju neizogibna, uporabljajte prekinjevalec električnega tokokroga.** Prekinjevalca električnega tokokroga zmanjšuje tveganje električnega udara.

### 3) OSEBNA VARNOST

- a) **Bodite zbrani in pazite, kaj delate. Dela z električnim orodjem se lotite razumno. Nikoli ne uporabljajte orodja, če ste utrujeni in če ste pod vplivom mamil, alkohola ali zdravil.** En sam trenutek nepazljivosti pri uporabi orodja ima lahko za posledico resne telesne poškodbe.
- b) **Uporabljajte osebna zaščitna sredstva in vedno nosite zaščitna očala.** Uporaba osebnih zaščitnih sredstev, na primer maske proti prahu, nedrsečih zaščitnih čevljev, zaščitne čelade in glušnikov, odvisno od vrste in uporabe električnega orodja, zmanjšuje tveganje telesnih poškodb.
- c) **Izogibajte se nenamernemu zagonu. Pred priključitvijo električnega orodja na električno omrežje in/ali na akumulator in pred dviganjem ali nošenjem se prepričajte, če je električno orodje izklopljeno.** Prenašanje naprave s prstom na stikalu ali priključitev vklopljenega električnega orodja na električno omrežje je lahko vzrok za nezgodo.
- d) **Pred vklopom orodja odstranite z nje nastavitvena orodja ali vijačni ključ.** Orodje ali ključ, ki se nahajata na vrtečem se delu električnega orodja, lahko povzročita nezgodo.
- e) **Ne precenjujte se in poskrbite za varno stojišče in stalno ravnotežje.** Tako boste lahko v nepričakovani situaciji bolje obvladali orodje.
- f) **Nosite primerno obleko, ki naj ne bo preohlapna. Ne nosite nakita. Lasje, oblačilo in rokavice naj se ne približujejo premikajočim se delom orodja.** Premikajoči se deli orodja lahko zgrabijo ohlapno obleko, nakit, ali dolge lase.
- g) **Če je možno na orodje namestiti priprave za odsesavanje in prestrezanje prahu, prepričajte se, ali so le-te priključene in, če jih pravilno uporabljate.** Uporaba priprave za odsesavanje prahu zmanjšuje zdravstveno ogroženost zaradi prahu.
- 4) **RAVNANJE IN NEGA ROČNEGA ORODJA**
- a) **Ne prebremenjujte orodja. Za določeno delo uporabljajte električno orodje, ki je predvideno za opravljanje tega dela. Z ustreznim električnim orodjem**

boste delo opravili bolje in varneje, ker je bilo v ta namen tudi konstruirano.

- b) **Električno orodje, ki ima pokvarjeno stikalo, ne uporabljajte.** Električno orodje, ki ga ni možno vklopiti ali izklopiti, je nevarno in ga je potrebno popraviti.
- c) **Pred nastavljanjem naprave, zamenjavo delov pribora ali odlaganjem naprave izvlecite vtiča iz električne vtičnice in/ali odstranite akumulator.** Ta previdnostni ukrep onemogoča nepredviden zagon orodja.
- d) **Kadar orodja ne uporabljate ga shranjujte izven dosega otrok. Osebam, ki orodja ne poznajo ali niso prebrale teh navodil, orodja ne dovolite uporabljati.** Električna orodja so nevarna, če jih uporabljajo nezkušene osebe.
- e) **Skrbno negujte orodje. Preverite, če premikajoči se deli orodja delujejo brezhibno in če se ne zatikajo, oziroma, če kakšen del orodja ni zlomljen ali poškodovan do te mere, da bi oviral njegovo delovanje. Pred nadaljnjo uporabo je potrebno poškodovani del popraviti.** Vzrok za številne nezgode so ravno slabo vzdrževana električna orodja.
- f) **Rezalna orodja naj bodo ostra in čista.** Skrbno negovana rezalna orodja z ostrimi rezili se manj zatikajo in so boljje vodljiva.
- g) **Električna orodja, pribor, nastavke in podobno uporabljajte v skladu s temi navodili. Pri tem upoštevajte delovne pogoje in vrsto dela, ki ga nameravate opraviti.** Zaradi uporabe električnega orodja v druge, nepredvidene namene, lahko nastanejo nevarne situacije.
- 5) **SERVIS**
- a) **Popravilo orodja lahko opravi samo usposobljena strokovna oseba in to izključno z originalnimi nadomestnimi deli.** Le tako bo ohranjena nadaljnja varnost orodja.

### VARNOSTNA NAVODILA ZA SABLJASTE ŽAGE

#### PRIBOR

- SKIL zagotavlja brezhibno delovanje orodja le z uporabo originalnega dodatnega pribora
- Uporabljajte lahko dodatni pribor, katerega dovoljena hitrost je najmanj enaka največji hitrosti orodja

#### PRID UPORABO

- Vedno preverite, če je napetost omrežja enaka napetosti, ki je navedena na tablici orodja
- Izogibajte se poškodb zaradi vijakov, žebeljev ali drugih elementov v obdelovancu; odstranite jih pred začetkom dela

#### ELEKTRIČNA VARNOST

- Uporabljajte povsem iztegnjene in varne električne podaljške, z jakostjo 16 amperov
- **Orodje držite za izolirane dele ročaja za primer, če med delom pride orodje v stik s skrito električno napeljavo ali priključnim kablom** (stik s faznim električnim vodnikom povzroči zaradi prevodnih kovinskih delov orodja električni sunek na uporabnika)
- **Za iskanje skritih električnih, plinskih in vodovodnih cevi uporabite primerne iskalne naprave (detektorje) ali se posvetujte z lokalnimi podjetji** (stik z električnimi vodniki lahko povzroči požar ali električni udar; poškodbe plinovoda lahko povzročijo eksplozijo,



vdor v vodovodno omrežje pa materialno škodo ali električni udar)

## OSEBNA VARNOST

- Če pride do električnih ali mehanskih okvar, takoj izklopite stroj in izvlecite vtičak iz vtičnice
- Orodja naj ne bi uporabljale osebe mlajše od 16 let
- **Ne obdelujte materiala, ki vsebuje azbest** (azbest povzroča rakasta obolenja)
- Prah materialov, kot so barve, ki vsebujejo svinec, nekatere vrste lesa, mineralov ali kovin so lahko škodljivi (ob stiku ali vdihavanju lahko prah pri delavcu ali pri drugih prisotnih povzroči alergijsko reakcijo in/ali boleznih dihal); **nosite masko za prah in pri delu uporabljajte napravo za odsesavanje prahu, kjer je le-to možno priključiti**
- Nekatere vrste prahu so klasificirane kot kancerogene (kot npr. prah hrasta in bukve) še posebno ob sočasni uporabi z dodatki za obdelavo lesa; **nosite masko za prah in pri delu uporabljajte napravo za odsesavanje prahu, kjer je le-to možno priključiti**
- Upoštevajte nacionalne zahteve glede prahu za materiale katere želite obdelovati
- **Roke držite vedno proč od področja rezanja in rezila, z drugo roko pa orodje držite za cev za prijem H ②** (če držite žago z obema rokama, ni možnosti, da si poškodujete roke z rezilom)
- **Ne segajte pod obdelovanec** (neposredne bližine rezila do vaše roke ne morete videti)
- **Pri rezanju nikoli ne držite obdelovanca v roki ali preko vaših nog** (to prispeva k točnosti dela, zmanjševanju izpostavljanja telesnim nevarnostim, zaustavljanju rezila in izgube nadzora pri delu)
- **Obdelovanec zavarujte ali pritrдите z objemkami ali drugo opremo** (če obdelovanec držite z rokami ali proti telesu, lahko izgubite nadzor nad orodjem)
- **Ne uporabljajte topih ali poškodovanih rezil** (ukrivljena rezila se lahko hitro zlomijo ali izskočijo iz orodja)
- **Z rokami se ne dotikajte področja med ohišjem orodja in objemko za rezilo D ②** (objemka za rezilo lahko priščične prste)
- **Prepričajte se, ali ste objemko za rezilo D ② pred rezanjem dobro pritrđili** (če objemka ni dobro pritrđena, lahko orodje ali rezilo zdrsneta)
- **Pri odstranjevanju rezila iz orodja uporabljajte zaščitne rokavice** (žagin list je po dolgi uporabi lahko vroč)
- Uporabljajte zaščitna očala in zaščito sluha

## POJASNILO OZNAK NA ORODJU

- ③ Pred uporabo preberite navodila za uporabo
- ④ Dvojna izolacija (ozemljitveni kabel ni potreben)
- ⑤ Orodja ne odstranjujte s hišnimi odpadki

## UPORABA

- Vkllop/izklop ⑥
- Nastavitev hitrosti  
S pomočjo kolesce C ② je po stopnjah mogoče izbrati hitrost žaganja od najnižje do najvišje (6 stopenj)
- Nastavite hitrost rezanja glede na material ⑦  
**! če orodje ne začne rezati ko je gumb C ② v poziciji 1, je potrebno nastaviti gumb na večjo hitrost dokler ne začne rezati, nato pa prestaviti gumb na nižjo hitrost**

- Namestitev rezila ⑧  
**! izključite vtičak**
  - objemko za rezilo D potisnite naprej in jo držite v tem položaju
  - vstavite rezilo do konca (zobčki naj bodo obrnjeni navzdol ali navzgor)
  - izpusťite objemko za rezilo D
  - rezilo nekoliko izvlecite, dokler objemka D ne zaskoči
  - rezilo potisnite naprej in nazaj, da preverite, ali se je pravilno zaskočilo na mestu**! prepričajte se, ali ste objemko za rezilo D ② pred rezanjem dobro pritrđili (če objemka ni dobro pritrđena, lahko orodje ali rezilo zdrsneta)**  
**! prepričajte se, ali se sprednji del rezila razteza čez ščit E za celotno dolžino rezov**
- Odstranjevanje rezila ⑨
  - objemko za rezilo D potisnite naprej in jo držite v tem položaju
  - izvlecite rezilo
  - izpusťite objemko za rezilo D
- Gibljivi ščit ⑩
  - ščit E se nagiba, tako da bi bilo kar največ njegove površine v stiku z obdelovancem
  - ščit prilagodite tako, da močno držite žago in ga postavite v želen položaj
- Predel za shranjevanje rezil ⑪
  - prepričajte se, ali je predel za shranjevanje rezil F zaprt, da preprečite izpadanje rezil
- Upravljanje orodja  
**! obdelovanec dobro vpnite**
  - na obdelovancu označite linijo reza
  - s pomočjo kolesce C ② izberite hitrost žaganja
  - polnilec vključite v vtičnico (prižge se lučka B, kar pomeni, da se je polnjenje pričelo) ⑫
  - orodje držite z eno roko na ročki G ② in z drugo na izolirani cevi za prijem H ②
  - vklopite orodje**! preden pride rezilo v stik z obdelovancem, naj orodje teče pri polni hitrosti**
  - orodje premikajte po označeni liniji reza
  - ščit E ② naj bo tesno ob obdelovancu, da zmanjšate silo povratnih udarcev in treslajev
- Držanje in vodenje orodja  
**! med delom vedno držite orodje za sivo obarvano mesto oprijema ⑬**
  - ventilacijske reže J ② morajo biti nepokrite
  - ne pritisčajte na orodje premočno, pustite da orodje sam opravi delo**! prepričajte se, da se žagin list med rezanjem razteza čez obdelovanca ⑭**
- Nastavitev učinkovite globine rezanja ⑮
  - za premikanje gibljivega ščita E naprej/nazaj, da bi povečali/zmanjšali učinkovite globine rezanja, uporabljajte oba pritrđilna sornika K**! dolžine reza ne nastavljajte z vijakom L, ki je tovarniško prednastavljen**

## UPORABNI NASVETI

- Globinsko rezanje ⑯  
Globinske reze je mogoče narediti v les in druge mehke materiale, ne da bi prej zvrtili luknjo
  - uporabite debelejši žagin list

- namestite list tako, da je z zobčki obrnjen navzgor
- orodje držite tako, da je zgornja stran spodaj kot je prikazano
- na obdelovancu označite želeno linijo reza
- z kolesco C izberite stopnjo 1, 2 ali 3
- nagnite orodje tako, da se rezilo ne dotika obdelovanca
- vklopite orodje in premikajoče se rezilo previdno potisnite v obdelovanec
- ko rezilo predre obdelovalno površino, nadaljujte z rezanjem po označeni liniji reza

**! globinskih rezov ne naredite v železne materiale**

- Uporabljajte samo ustrezne žagine liste ⑰
- Pri žaganju kovin žagin list redno naoljite
- Rezanje drobljivih materialov
  - pred rezanjem prelepitate linijo reza z nekaj plastmi širokega lepilnega traku
  - pri rezanju naj bo boljša stran obdelovanca obrnjena navzdol
- Za več nasvetov glejte pod [www.skil.com](http://www.skil.com)

## VZDRŽEVANJE/SERVISIRANJE

- Orodje ni namenjeno profesionalni uporabi
- Priključni kabel in orodje naj bosta vedno čista (posebej še prezračevalne odprtine J ②)
- **! izvlecite vtičak iz vtičnice pred čiščenjem**
- Če bi kljub skrbnim postopkoma izdelave in preizkušanja prišlo do izpada delovanja orodja, naj popravilo opravli servisna delavnica, pooblaščen za popravila SKILevih električnih orodij
  - pošljite **nerazstavljeno** orodje skupaj s potrdilom o nakupu pri vašemu prodajalcu v najbližjo SKIL servisno delavnico (naslovi, kot tudi spisek rezervnih delov se nahaja na [www.skil.com](http://www.skil.com))

## OKOLJE

- **Električnega orodja, pribora in embalaže ne odstranjujte s hišnimi odpadki** (samo za države EU)
  - v skladu z Evropsko direktivo 2012/19/EG o odpadnih električni in elektronski opremi in z njenim izvajanjem v nacionalni zakonodaji je treba električna orodja ob koncu njihove življenjske dobe ločeno zbirati in jih predati v postopek okolju prijaznega recikliranja
  - ko je potrebno odstranjevanje, naj vas o načinu spomni simbol ⑤

## IZJAVA O SKLADNOSTI ① ②

### Sabljasta žaga 4900

#### Tehnični podatki ①

- Izjavljamo pod izključno odgovornostjo, da proizvod pod "Tehnični podatki" ustreza naslednjim standardom oz. standardiziranim dokumentom: EN 60745, EN 61000, EN 55014 v skladu z določili direktiv 2004/108/ES (do 19.04.2016), 2014/30/EU (od 20.04.2016), 2006/42/ES, 2011/65/EU

- **Tehnična dokumentacija se nahaja pri:** SKIL Europe BV (PT-SEU/ENG1), 4825 BD Breda, NL

Marijn van der Hoofden  
Operations & Engineering

Olaf Dijkgraaf  
Approval Manager




SKIL Europe BV, 4825 BD Breda, NL

12.03.2015

## HRUP/VIBRACIJA

- Izmerjeno v skladu s predpisom EN 60745 je raven zvočnega pritiska za to orodje 90 dB(A) in jakosti zvoka 101 dB(A) (standarden odmik: 3 dB), in vibracija \* m/s<sup>2</sup> (vektorska vsota treh smeri; netočnost K = 1,5 m/s<sup>2</sup>)
  - \* pri rezanju plošč drobecv 12,1 m/s<sup>2</sup>
  - \* pri rezanju lesenih tramov 12,2 m/s<sup>2</sup>
- Raven oddajanja vibracij je bila izmerjena v skladu s standardiziranimi testi, navedenimi v EN 60745; uporabiti jo je mogoče za primerjavo različnih orodij med seboj in za predhodno primerjavo izpostavljenosti vibracijam pri uporabi orodja za namene, ki so omenjeni
  - uporaba orodja za drugačne namene ali uporaba skupaj z drugimi, slabo vzdrževanimi nastavki lahko znatno **poveča** raven izpostavljenosti
  - čas, ko je orodje izklopljeno ali ko teče, vendar z njim ne delamo, lahko znatno **zmanjša** raven izpostavljenosti
- **! pred posledicami vibracij se zaščitite z vzdrževanjem orodja in pripadajočih nastavkov, ter tako, da so vaše roke tople, vaši delovni vzorci pa organizirani**

EST

**Liikumissuunda vahetav saag 4900**

## SISSEJUHATUS

- Tööriist on ette nähtud puu, plastmassi, metalli ja ehitusmaterjalide saagimiseks ning okste ja puude kärpimiseks; seda võib kasutada nii sirg- kui kõverjooneliste lõigete teostamiseks
- See tööriist pole mõeldud professionaalseks kasutamiseks
- Palun lugege käesolev kasutusjuhend hoolikalt läbi ja hoidke alles ③

## TEHNILISED ANDMED ①

### SEADME OSAD ②

- A Tööüliti (sisse/välja)
- B Indikaator "Toide sees"
- C Kiiruse regulaator
- D Tera klamber
- E Reguleeritav tugiplaad
- F Tera säilitamise jaotus
- G Käepide
- H Silindri käepide

- J Õhusavad
- K Kinnituspoldid
- L Terahoidiku kruvi

## OHUTUS

### ÜLDISED OHUTUSJUHISED

**⚠ TÄHELEPANU!** Kõik ohutusnõuded ja juhised tuleb läbi lugeda. Ohutusnõuete ja juhiste eiramise tagajärjeks võib olla elektrilöökk, tulekahju ja/või rasked vigastused. **Hoidke kõik ohutusnõuded ja juhised edasiseks kasutamiseks hoolikalt alles.** Allpool kasutatud mõiste “elektriline tööriist” käib võrgutoitega (toitejuhtmega) elektriliste tööriistade ja akutoitega (ilma toitejuhtmega) elektriliste tööriistade kohta.

#### 1) OHUTUSNÕUDED TÖÖPIIRKONNAS

- a) **Hoidke töökoht puhas ja korras.** Segadus või valgustamata tööpiirkonnad võivad põhjustada õnnetusi.
- b) **Ärge kasutage seadet plahvatusohtlikus keskkonnas, kus leidub tuleohtlikke vedelikke, gaase või tolmu.** Elektrilistest tööriistadest lööb sädemed, mis võivad tolmu või auru süüdata.
- c) **Kui kasutate elektrilist tööriista, hoidke lapsed ja teised isikud töökohast eemal.** Kui Teie tähelepanu kõrvale juhitakse, võib seade Teie kontrolli alt väljuda.

#### 2) ELEKTRIOHUTUS

- a) **Seadme pistik peab pistikupessa sobima. Pistiku kallal ei tohi teha mingeid muudatusi. Ärge kasutage kaitsemaandusega seadme puhul adapterpistikuid.** Muutmata pistikud ja sobivad pistikupesad vähendavad elektrilöögi saamise riski.
- b) **Vältige kehakontakti maandatud pindadega, nagu torud, radiaatorid, pliidid ja külmikud.** Kui Teie keha on maandatud, on elektrilöögi risk suurem.
- c) **Hoidke seadet vihma ja niiskuse eest.** Kui elektriseadmesse on sattunud vett, on elektrilöögi saamise risk suurem.
- d) **Ärge kasutage toitejuhet selleks mitte ettenähtud otstarbel seadme kandmiseks, ülesriputamiseks ega pistiku pistikupesast väljatõmbamiseks. Hoidke toitejuhet kuumuse, õli, teravate servade ja seadme liikuvate osade eest.** Kahjustatud või keerduläinud toitejuhtmed suurendavad elektrilöögi saamise riski.
- e) **Kui töötate elektrilise tööriistaga vabas õhus, kasutage ainult selliseid pikendusjuhtmeid, mida on lubatud kasutada ka välistingimustes.** Välistingimustes kasutamiseks sobiva pikendusjuhtme kasutamine vähendab elektrilöögi saamise riski.
- f) **Kui elektrilise tööriista kasutamine niiskes keskkonnas on vältimatu, kasutage maandusega lekkevoolukaitset.** Maandusega lekkevoolukaitse kasutamine vähendab elektrilöögi ohtu.

#### 3) INIMESTE TURVALISUS

- a) **Olge tähelepanelik, jälgige, mida Te teete, ning toimige elektrilise tööriistaga töötades mõistlikult. Ärge kasutage seadet, kui olete väsinud või uimastite, alkoholi või ravimite mõju all.** Hetkeline tähelepanematus seadme kasutamisel võib põhjustada tõsiseid vigastusi.

- b) **Kandke isikukaitsevahendeid ja alati kaitseprille.** Isikukaitsevahendite, nagu tolmutmask, liibisemiskindlad turvajalatsid, kaitsekiiver või kuulmiskaitsevahendid, kandmine – sõltuvalt elektrilise tööriista tüübist ja kasutusalaast – vähendab vigastuste riski.
  - c) **Vältige seadme tahtmatut käivitamist. Enne pistiku ühendamist pistikupessa, aku ühendamist seadme külge, seadme ülestõstmist ja kandmist veenduge, et elektriline tööriist on välja lülitatud.** Kui hoiate elektrilise tööriista kandmisel sõrme lülitil või ühendate vooluvõrku sisselülitatud seadme, võivad tagajärjeks olla õnnetused.
  - d) **Enne seadme sisselülitamist eemaldage selle küljest reguleerimis- ja mutrivõtmed.** Seadme pöörleva osa küljes olev reguleerimis- või mutrivõti võib põhjustada vigastusi.
  - e) **Ärge hinnake end üle. Võtke stabiilne tööasend ja hoidke kogu aeg tasakaalu.** Nii saate seadet ootamatutes olukordades paremini kontrollida.
  - f) **Kandke sobivat rõivastust. Ärge kandke laiu riideid ega ehteid. Hoidke juuksed, rõivad ja kindad seadme liikuvatest osadest eemal.** Lotendavad riided, ehted või pikad juuksed võivad sattuda seadme liikuvate osade vahele.
  - g) **Kui on võimalik paigaldada tolmueemaldus- ja tolmukogumiseseadiseid/seadmeid, veenduge, et need oleksid seadmega ühendatud ja et neid kasutatakse õigesti.** Tolmueemaldusseadise kasutamine vähendab tolmust põhjustatud ohte.
- #### 4) ELEKTRILISTE TÖÖRIISTADE HOOLIKAS KÄSITSEMIN JA KASUTAMINE
- a) **Ärge koormake seadet üle. Kasutage töö tegemiseks selleks ettenähtud elektrilist tööriista.** Sobiva elektrilise tööriistaga töötate paremini ja turvalisemalt ettenähtud võimsusvahemikus.
  - b) **Ärge kasutage elektrilist tööriista, mille lüliti on rikkis.** Elektriline tööriist, mida ei ole enam võimalik sisse ja välja lülitada, on ohtlik ning seda tuleb remontida.
  - c) **Tõmmake pistik pistikupesast välja ja/või eemaldage seadme aku enne seadme reguleerimist, tarvikute vahetamist ja seadme ärapanekut.** See ettevaatusabinõu väldib seadme tahtmatut käivitamist.
  - d) **Kasutusvälisel ajal hoidke elektrilisi tööriistu lastele kättesaamatult. Ärge laske seadet kasutada isikutel, kes seda ei tunne või pole siintoodud juhiseid lugenud.** Kogenematute kasutajate käes kujutavad elektrilised tööriistad ohtu.
  - e) **Hoolitsege seadme eest. Kontrollige, kas seadme liikuvad osad funktsioneerivad korralikult ja ei kiildu kinni, ning ega mõned osad ei ole katki või sel määral kahjustatud, et võiksid mõjutada seadme töökindlust.** Laske kahjustatud osad enne seadme kasutamist parandada. Paljude õnnetuste põhjuseks on halvasti hooldatud elektrilised tööriistad.
  - f) **Hoidke lõiketarvikud teravad ja puhtad.** Hoolikalt hoitud, teravate lõikeservadega lõiketarvikud kiilduvad harvemini kinni ja neid on lihtsam juhtida.
  - g) **Kasutage elektrilist tööriista, lisavarustust, tarvikuid jne vastavalt siintoodud juhistele. Arvestage sejuurte töötingimuste ja teostatava töö iseloomuga.** Elektriliste tööriistade kasutamine mitte ettenähtud otstarbel võib põhjustada ohtlikke olukordi.

## 5) TEENINDUS

- a) **Laske seadet parandada ainult kvalifitseeritud spetsialistidel ja ainult originaalvaruosadega.** Nii tagate seadme püsimise turvalisena.

## OHUTUSJUHISED LIIKUMISSUUNDA VAHETAVAD SAED

### TARVIKUD

- SKIL tagab seadme häireteta töö üksnes originaaltarvikute kasutamisel
- Kasutage vaid neid tarvikuid, mille lubatud pöörete arv on vähemalt sama suur nagu maksimaalsed tühikäigupöörded

### ENNE KASUTAMIST

- Kontrollige alati, kas võrgupinge ühtib tööriista andesildil toodud pingega
- Vältige töödeldavas esemes olevatest kruvidest, naeltest vms põhjustatud kahjustusi; eemaldage need enne töö alustamist

### ELEKTROOHUTUS

- Pikendusjuhtmete kasutamisel jälgige, et juhe oleks lõpuni lahti keritud ja vastaks 16 A voolutugevusele
- **Kui on oht, et lõiketarvik võib puutuda kokku varjatud elektrijuhtme või tööriista enda toitejuhtmega, tuleb tööriista hoida ainult isoleeritud käepidemetest** (kokkupuude pingele all oleva juhtmega võib tekitada pingele seadme metallosades ja põhjustada elektrilöögi)
- **Varjatud paiknevate elektrijuhtmete, gaasi- või veetorude avastamiseks kasutage sobivaid otsimiseseadmeid või pöörduge kohaliku elektri-, gaasi- või vee-ettevõtte poole** (kokkupuutel elektrijuhtmetega tulekahju- ja elektrilöögioht; gaasitorustiku vigastamisel plahvatusoht; veetorustiku vigastamisel materiaalne kahju või elektrilöögioht)

### INIMESTE TURVALISUS

- Seadme elektrilise või mehhaanilise häire korral lülitage seade viivitamatult välja ja eemaldage pistik vooluvõrgust
- Tööriista kasutaja peab olema vähemalt 16 aastat vana
- **Asbestisisaldava materjali töötlemine on keelatud** (asbest võib tekitada vähki)
- Värviga kaetud juhtmed, mõned puiduliigid, mineraalid ja metall eraldavad tolmu, mis võib olla kahjulik (kokkupuude tolmuga või selle sissehingamine võib seadme kasutajal või läheduses viibivatel inimestel põhjustada allergilisi reaktsioone ja/või hingamisteede haigusi); **kandke tolmumaski ja vajaduse korral töötage külgeühendatava tolmueemaldusseadmega**
- Teatud tüüpi tolm on klassifitseeritud kantserogeensena (nt tammest ja kasest eralduv tolm), eriti koos puidu niiskuse reguleerimiseks kasutatavate lisanditega; **kandke tolmumaski ja vajaduse korral töötage külgeühendatava tolmueemaldusseadmega**
- Erinevate materjalide töötlemisel tekkinud tolmu käitlemisel tuleb järgida kehtivaid nõudeid
- **Hoidke käed lõikepiirkonnast ja terast ohutul kaugusel; teist kätt hoidke silindri käepidemel H ②** (kui hoiate saagi mõlema käega, ei jää käed saeketta ette)
- **Ärge viige kätt tooriku alla** (te ei näe, kui ligidal on tera teie kätele)

- **Ärge kunagi hoidke saetavat eset käes või risti üle jala** (tooriku korralik toestamine on oluline, et ohustada võimalikult vähe oma keha ning piirata saeketta kinnikiildumise ja tööriista kontrolli alt väljumise oht miinimumini)
  - **Töödeldava eseme kinnitamiseks ja toetamiseks kasutage klambreid või muid seadmeid** (töödeldavat eset käes hoides või keha vastu toetades võite kaotada kontrolli tööriista üle)
  - **Ärge kasutage nüri või kahjustatud saeketast** (köverdunud terad võivad kergesti murduda või anda tagasilöögi)
  - **Hoidke käed ohutul kaugusel kohast tööriista korpuse ja tera klambri D ② vahel** (tera klamber võib sõrmed kokku suruda)
  - **Jälgige, et enne saagimist oleks tera klamber D ② tugevalt kinnitatud** (vaba klambri korral võib tööriist või tera libiseda, mille tulemusel kaob kontroll tööriista üle)
  - **Tööriistast tera väljavõtmisel kasutage kaitsekindaid** (saetera võib pikaajalisel kasutamisel kuumeneda)
    - Kandke kaitseprille ja kõrvaklappe
- ### TÖÖRIISTAL OLEVATE SÜMBOLITE SELGITUS
- ③ Enne kasutamist tutvuge kasutusjuhendiga
  - ④ Topeltisolasioon (maandusjuhe pole vajalik)
  - ⑤ Ärge visake kasutusõlbrmatuks muutunud tööriista ära koos olmejäätmetega

## KASUTAMINE

- Sisse/välja ⑥
- Kiiruse kontroll
  - Ketta C ② abil saab seada väikese või suure saagimiskiiruse (6 asendit)
- Käigusagedus valik vastavalt materjalile ⑦
  - ! **kui seade ei liigu regulaatorist C ② asendisse 1, valida kõrgem käigusagedus ja vähendada käigusagedust siis, kui seade töötab**
- Saetera paigaldamine ⑧
  - ! **eemaldage seade vooluvõrgust**
    - suruge ettepoole tera klambrit D ja hoidke sellises asendis
    - asetage sisse tera (hammastega alla- või ülespoole) lõpuni sisse
    - vabastage tera klamber D
    - tõmmake tera veidi välja, kuni klamber D täisnurksesse asendisse klõpsatab
    - suruge tera sisse ja tõmmake, veendumaks, et see on õigesti blokeerunud
  - ! **jälgige, et enne saagimist oleks tera klamber D ② tugevalt kinnitatud** (vaba klambri korral võib tööriist või tera libiseda, mille tulemusel kaob kontroll tööriista üle)
  - ! **kindlustage, et tera eesosa läbiks tugiplaati E kogu kolbikäigu pikkuses**
- Saetera eemaldamine ⑨
  - suruge ettepoole tera klambrit D ja hoidke sellises asendis
  - tõmmake tera välja
  - vabastage tera klamber D
- Reguleeritav tugiplaat ⑩
  - tugiplaat E on painduv, et selle pind oleks võimalikult tihedas kokkupuutes töödeldava esemega

- reguleerige tugiplaat, hoides tugevasti saagi ja keerates platvormi soovitud asendis
- Tera säilitamise jaotus (11)
  - jälgige, et säilitamise jaotus F oleks nii suletud, et terad välja ei kukuks
- Seadme kasutamine
  - ! **kinnitage tugevasti töödeldav ese**
  - märkige töödeldavale esemele löikejoon
  - valige ketta C (2) abil soovitud saagimiskiirus
  - ühendage pistik vooluallikaga (süttib tuli B, näidates, et tööriist saab voolu) (12)
  - ühe käega hoidke tööriista käepidemest G (2) ja teisega isoleeritud silindri käepidemest H (2)
  - lülitage seade sisse
  - ! **enne tera lõikumist töödeldavasse esemesse peab tööriist töötama täiel kiirusel**
  - suunake tööriista mööda märgitud löikejoont
  - hoidke tugiplaati E (2) tihedalt vastu töödeldavat eset, et vähendada vastupanu ja vibratsiooni
- Seadme hoidmine ja juhtimine
  - ! **töötamise ajal hoidke tööriista kinni korpuse ja käepideme halli värvi osadest** (13)
  - hoidke õhutusavad J (2) kinnikatmata
  - ärge suruge tööriistale liigselt; laske sellel enda heaks töötada
  - ! **kindlustage tera eesosa läbimist töödeldavast esemest kogu kolbisammu pikkuses** (14)
- Efektive saagimis sügavuse reguleerimine (15)
  - efektive saagimis sügavuse suurendamiseks/ vähendamiseks kasutage mõlemat kinnituspoldid K, et lükata tugiplaati E ette- või tahapool
  - ! **ärge üritage reguleerida saetõmbe efektivet pikkust kruviga L – see on tootmisel paika seatud**

## TÖÖJUHISED

- Süvendlõikus (16)
  - Süvendlõikust võib teostada puus ja muudes pehmetes materjalides, puurides eelnevalt ette ava
  - kasutage paksemat saetera
  - paigutage tera hammastega ülespoole
  - hoidke saagi tagurpidi nagu on näidatud joonisel
  - märkige töödeldavale esemele soovitud löikejoon
  - valige ketta C abil asend 1, 2 või 3
  - hoidke tööriista nii, et tera ei puudutaks töödeldavat eset
  - lülitage tööriist sisse ja suunake liikur tera ettevaatlikult töödeldavale esemele
  - pärast seda, kui tera on läbinud töödeldava eseme, jätkake lõikamist mööda märgitud löikejoont
  - ! **ärge teostage süvendlõikust metalli**
- Kasutage sobivaid saelehti (17)
- Metall saagimisel määrige saelehte regulaarselt õliga
- Saagimine materjali kahjustamata
  - enne töö algust katke löikejoon mitme kihiga kleepindiga
  - asetage töödeldava eseme ilusam (pealne) pool alati allapoole
- Rohkem nõuandeid leiata aadressil [www.skil.com](http://www.skil.com)

## HOOLDUS/TEENINDUS

- Tööriist pole mõeldud professionaalseks kasutamiseks
- Hoidke seade ja toitejuhe alati puhtad (eriti õhutusavad J (2))
  - ! **enne puhastamist eemaldage seade vooluvõrgust**
- Tööriist on hoolikalt valmistatud ja testitud; kui tööriist sellest hoolimata rikki läheb, tuleb see lasta parandada SKILi elektriliste käsitööriistade volitatud remonditöökojas
  - toimetage **lahtimonteerimata** seade koos ostukvitungiga tarnijale või lähimasse SKILi lepingulisse töökotta (aadressid ja tööriista varuosade joonise leiata aadressil [www.skil.com](http://www.skil.com))

## KESKKOND

- **Ärge visake kasutuskoõlbmatuks muutunud elektrilisi tööriistu, lisatarvikuid ja pakendeid ära koos olmejäätmetega** (üksnes EL liikmesriikidele)
  - vastavalt Euroopa Parlamendi ja nõukogu direktiivile 2012/19/EÜ elektri- ja elektroonikaseadmete jäätmete kohta ning direktiivi nõuete kohaldamisele liikmesriikides tuleb kasutuskoõlbmatuks muutunud elektrilised tööriistad koguda eraldi ja keskkonnasäästlikult korduvkasutada või ringlusse võtta
  - seda meenutab Teile sümbol (5)

## VASTAVUSDEKLARATSIOON (C)

### Liikumissuunda vahetav saag 4900

#### Tehnilised andmed (1)

- Kinnitame ainuvastutajana, et punktis "Tehnilised andmed" kirjeldatud toode vastab järgmistele standarditele või normdokumentidele: EN 60745, EN 61000, EN 55014 vastavalt direktiivide 2004/108/EÜ (kuni 19.04.2016), 2014/30/EL (alates 20.04.2016), 2006/42/EÜ, 2011/65/EL
- **Tehniline toimik saadaval aadressil:** SKIL Europe BV (PT-SEU/ENG1), 4825 BD Breda, NL

Marijn van der Hoofden  
Operations & Engineering

Olaf Dijkgraaf  
Approval Manager

SKIL Europe BV, 4825 BD Breda, NL

12.03.2015

## MÜRA/VIBRATSIOON

- Vastavalt kooskõlas normiga EN 60745 läbi viidud mõõtmistele on tööriista helirõhk 90 dB(A) ja helitugevus 101 dB(A) (standardkõrvalekalle: 3 dB), ja vibratsioon \* m/s<sup>2</sup> (kolme telje vektorsumma; mõõtemääramatus K = 1,5 m/s<sup>2</sup>)
  - \* saepuruplaadis saagimisel 12,1 m/s<sup>2</sup>
  - \* puust latti saagimisel 12,2 m/s<sup>2</sup>
- Tekkiva vibratsiooni tase on mõõdetud vastavalt standardis EN 60745 kirjeldatud standarditud testile; seda võib kasutada tööriista võrdlemiseks ja tööriista kasutamisel ettenähtud töödeks esineva vibratsiooni esialgseks hindamiseks

- tōōriista kasutamisel muudeks rakendusteks vōi teiste/ halvasti hooldatud tarvikute kasutamisel vōib vibratsioo mārķimisvāārselt **suureneda**
- ajal, kui tōōriist on vāļjalūlitatud vōi on kūll sisseļūlitatud, kuid teģelikult seda ei kasutata, vōib vibratsioo mārķimisvāārselt **vāheneda**
- ! **enda kaitsmiseks vibratsiooni eest hooldage tōōriista ja selle tarvikuid korralikult, hoidke oma kāēd soojad ja tagage sujuv tōōkorrallidus**

LV

## Viruļzāģis

4900

### IEVADS

- Šis instruments ir paredzēts koka, plastmasas, metāla un celtniecības materiālu zāģēšanai, kā arī koku apcirpšanai; tas ir piemērots taisnu un izliektu griezumu veidošanai
- Šis instruments nav paredzēts profesionālai lietošanai
- Izlasiet un saglabājiet šo pamācību ③

### TEHNISKIE PARAMETRI ①

### INSTRUMENTA ELEMENTI ②

- A Ieslēdzējs
- B Indikators "ieslēgts"
- C Ātruma regulators
- D Asmens skava
- E Regulējama atbalsta plāksne
- F Asmens uzglabāšanas nodalījums
- G Rokturis
- H Cilindra rokturis
- J Ventilācijas atveres
- K Stiprinājumu skrūves
- L Asmens turētāja skrūve

### DROŠĪBA

#### VISPĀRĒJIE DARBA DROŠĪBAS NOTEIKUMI

**⚠ UZMANĪBU! Rūpīgi izlasiet visus drošības noteikumus.** Šeit sniegto drošības noteikumu un norādījumu neievērošana var izraisīt aizdegšanos un būt par cēloni elektriskajam triecienam vai nopietnam savainojumam. **Pēc izlasīšanas uzglabājiet šos noteikumus turpmākai izmantošanai.** Turpmākajā izklāstā lietotais apzīmējums "elektroinstruments" attiecas gan uz tīkla elektroinstrumentiem (ar elektrokabeļi), gan arī uz akumulatora elektroinstrumentiem (bez elektrokabeļa).

#### 1) DROŠĪBA DARBA VIETĀ

- a) **Sekoĳiet, lai darba vieta būtu tīra un sakārtota.** Nekārtīgā darba vietā vai sliktā apgaismojumā var viegli notikt nelaimes gadījums.
- b) **Nelietojiet elektroinstrumentu eksplozīvu vai ugunsnedrošu vielu tuvumā un vietās ar paaugstinātu gāzes vai putekļu saturu gaisā.** Darba laikā instrumentus nedaudz dzirksteļo, un tas var izsaukt viegli degošu putekļu vai tvaiku aizdegšanos.

- c) **Lietojot elektroinstrumentu, nelaujiet nepiederošām personām un jo īpaši bērniem tuvoties darba vietai.** Citu personu klātbūtne var novērst uzmanību, un tā rezultātā jūs varat zaudēt kontroli pār instrumentu.

#### 2) ELEKTRODROŠĪBA

- a) **Elektroinstrumenta kontaktdakšai jābūt piemērotai elektroīkla kontaktlīdzdai. Kontaktdakšas konstrukciju nedrīkst nekādā veidā mainīt. Nelietojiet kontaktdakšas salāgotājus, ja elektroinstruments caur kabeli tiek savienots ar aizsargzēmējuma ķēdi.** Neizmainītas konstrukcijas kontaktdakša, kas piemērota kontaktlīdzdai, ļauj samazināt elektriskā trieciena saņemšanas risku.
- b) **Darba laikā nepieskarieties sazēmētiem priekšmetiem, piemēram, caurulēm, radiatoriem, plītiem vai ledusskapjiem.** Pieskaroties sazēmētām virsmām, pieaug risks saņemt elektrisko triecienu.
- c) **Nelietojiet elektroinstrumentu lietus laikā, neturiet to mitrumā.** Mitrumam iekļūstot instrumentā, pieaug risks saņemt elektrisko triecienu.
- d) **Nenesiet un nepiekariet elektroinstrumentu aiz elektrokabeļa. Neraujiet aiz kabeļa, ja vēlaties atvienot instrumentu no elektroīkla kontaktlīdzdas. Sargājiet elektrokabeļi no karstuma, eļļas, asām šķautnēm un instrumenta kustīgajām daļām.** Bojāts vai samezģojies elektrokabeļis var būt par cēloni elektriskajam triecienam.
- e) **Darbinot elektroinstrumentu ārpus telpām, izmantojiet tā pievienošanai vienīgi tādas pagarinātājkabeļus, kuru lietošana ārpus telpām ir atļauta.** Lietojot elektrokabeļi, kas piemērots darbam ārpus telpām, samazinās risks saņemt elektrisko triecienu.
- f) **Ja elektroinstrumentu tomēr nepieciešams lietot vietās ar paaugstinātu mitrumu, izmantojiet tā pievienošanai noņūdes strāvas aizsargreģeju.** Lietojot noņūdes strāvas aizsargreģeju, samazinās risks saņemt elektrisko triecienu.

#### 3) PERSONISKĀ DROŠĪBA

- a) **Darba laikā saglabājiet paškontroli un rīkoĳieties saskaņā ar veselo saprātu. Pārtrauciet darbu, ja jūtaties noguris vai atrodaties alkohola, narkotiku vai medikamentu izraisītā reibumā.** Strādājot ar elektroinstrumentu, pat viens neuzmanības mirklis var būt par cēloni nopietnam savainojumam.
- b) **Izmantojiet individuālos darba aizsardzības līdzekļus un darba laikā vienmēr nēsājiet aizsargbrilles.** Individuālo darba aizsardzības līdzekļu (putekļu maskas, neslīdošu apavu un aizsargķiveres vai ausu aizsargu) pielietošana atbilstoši elektroinstrumenta tipam un veicamā darba raksturam ļauj izvairīties no savainojumiem.
- c) **Nepieļaujiet elektroinstrumenta patvaļģgu ieslēģšanas. Pirms elektroinstrumenta pievienošanas elektroīklam, akumulatora ievietošanas vai izņemšanas, kā arī pirms elektroinstrumenta pārnesanas pārliecinieties, ka tas ir izslēģts.** Pārnesot elektroinstrumentu, ja pirksts atrodas uz ieslēģdēģja, kā arī pievienojot to elektrobarošanas avotam laikā, kad elektroinstruments ir ieslēģts, var viegli notikt nelaimes gadģjums.

- d) Pirms instrumenta ielēgšanas neaizmirstiet izņemt no tā regulējošos instrumentus vai skrūvjatslēgas. Patronatslēga vai skrūvjatslēga, kas instrumenta ielēgšanas brīdī nav izņemta no tā, var radīt savainojumu.
- e) Strādājot ar elektroinstrumentu, ieturiet stingru stāju. Darba laikā vienmēr saglabājiet līdzsvaru un centieties nepaslidēt. Tas atvieglos instrumenta vadību neparedzētās situācijās.
- f) Izvēlieties darbam piemērotu apģērbu. Darba laikā nenēsājiet brīvi plandošas drēbes un rotaslietas. Neturiniet matus, apģērbu un aizsargcimdus instrumenta kustīgajām daļām. Vaļīgas drēbes, rotaslietas un gari mati var iekerties instrumenta kustīgajās daļās.
- g) Ja elektroinstrumenta konstrukcija ļauj tam pievienot ārējo putekļu uzsūkšanas vai savākšanas/uzkrāšanas ierīci, sekojiet, lai tā tiktu pievienota elektroinstrumentam un pareizi darbotos. Pielietojot putekļu uzsūkšanu vai savākšanu/uzkrāšanu, samazinās to kaitīgā ietekme uz strādājošās personas veselību.
- 4) **ELEKTROINSTRUMENTU LIETOŠANA UN APKOPE**
- a) **Nepārslogojiet elektroinstrumentu.** Katram darbam izvēlieties piemērotu instrumentu. Elektroinstrumentus darboies labāk un drošāk pie nominālās slodzes.
- b) **Nelietojiet elektroinstrumentu, ja ir bojāts tā ieslēdzējs.** Elektroinstrumenti, ko nevar ieslēgt un izslēgt, ir bīstami lietošanai un to nepieciešams remontēt.
- c) **Pirms elektroinstrumenta apkopes, regulēšanas vai darbinstrumenta nomaināms atvienojiet tā kontaktdakšu no barojošā elektrotīkla vai izņemiet no tā akumulatoru.** Šādi iespējams samazināt elektroinstrumenta nejaušas ielēgšanās risku.
- d) **Elektroinstrumentu, kas netiek darbināts, uzglabājiet piemērotā vietā, kur tas nav sasniedzams bērniem un personām, kuras neprot rīkoties ar instrumentu.** Ja elektroinstrumentu lieto nekompetentas personas, tas var apdraudēt cilvēku veselību.
- e) **Rūpīgi veiciet elektroinstrumenta apkalpošanu.** Pārbaudiet, vai kustīgās daļās darbojas bez traucējumiem un nav iespīlētas, vai kāda no daļām nav salauzta vai bojāta, vai katra no tām pareizi funkcionē un pilda tai paredzēto uzdevumu. **Nodrošiniet, lai bojātās daļās tiktu savlaicīgi nomainītas vai remontētas pilnvarotā remontu darbnīcā.** Daudzi nelaimes gadījumi notiek tāpēc, ka elektroinstrumenti pirms lietošanas nav pienācīgi apkalpoti.
- f) **Savlaicīgi notīriet un uzasiniet griezošos darbinstrumentus.** Rūpīgi kopti instrumenti, kas apgādāti ar asiem griežējinstrumentiem, ļauj strādāt daudz ražīgāk un ir vieglāk vadāmi.
- g) **Lietojiet vienīgi tādus elektroinstrumentus, papildpiederumus, darbinstrumentus utt., kas paredzēti attiecīgajam pielietojuma veidam. Bez tam jāņem vērā arī konkrētie darba apstākļi un pielietojuma īpatnības.** Elektroinstrumentu lietošana citiem mērķiem, nekā to ir paredzējis ražotājam, ir bīstama un var novest pie neparedzamām sekām.

## 5) APKALPOŠANA

- a) **Nodrošiniet, lai Instrumenta remontu veiktu kvalificēts personāls, nomainīti izmantojot oriģinālās rezerves daļas un piederumus.** Tikai tā iespējams panākt instrumenta ilgstošu un nevainojamu darbību bez atteikumiem.

## DARBA DROŠĪBAS NOTEIKUMI VIRZUĻZĀGIEM

### PAPILDPIEDERUMI

- Firma SKIL garantē instrumenta nevainojamu darbību tikai tad, ja tiek lietoti oriģinālie papildpiederumi
- Lietojiet tikai tādus darbinstrumentus, kuru pielaujamais darbības ātrums ir vismaz tikpat liels, kā instrumenta maksimālais brīvgaits ātrums

### PIRMS DARBA UZSĀKŠANAS

- Vienmēr pārlicinieties, ka spriegums, kas uzrādīts uz instrumenta marķējuma plāksnītes, atbilst padeves spriegumam elektrotīklā
- Izvairoties no instrumenta bojājumiem, ko var radīt apstrādājamajā priekšmetā esošās skrūves, naglas vai citi līdzīgi objekti; pirms darba uzsākšanas atbrīvojiet apstrādājamo materiālu no šādiem priekšmetiem

### ELEKTRODROŠĪBA

- Lietojiet pilnīgi attīstus un drošus pagarinātājkabeļus, kas paredzēti 16 A strāvai
- **Ja zāģēšanas laikā pastāv iespēja zāģa asmenim skart kādu apslēptu elektropārvades līniju vai instrumenta elektrokabeli, turiet ripzāģi tikai aiz tā izolētās satvervirsma (zāģa asmenim skarot elektrības vadu, instrumenta neizolētās metāla daļas var nokļūt zem sprieguma, radot risku saņemt elektrisko triecienu)**
- **Ar piemērotu metālmeklētāja palīdzību pārbaudiet, vai apstrādes vietu nešķērso slēptas elektropārvades līnijas, kā arī gāzes vai ūdens caurules; šaubu gadījumā griezieties vietējā komunālās saimniecības iestādē** (darbinstrumentam skarot elektrotīkla fāzes līniju, var izcelties ugunsgrēks un strādājošais var saņemt elektrisko triecienu; gāzes vada bojājums var izraisīt sprādzienu; darbinstrumentam skarot ūdensvada cauruli, var tikt bojātas materiālās vērtības un strādājošais var saņemt elektrisko triecienu)

### PERSONISKĀ DROŠĪBA

- Elektriska vai mehāniska rakstura kļūmes gadījumā nekavējoties izslēdziet instrumentu un atvienojiet kabeļa kontaktdakšu no elektrotīkla
- Šo instrumentu nedrīkst izmantot personas, kas jaunākas par 16 gadiem
- **Neapstrādājiet materiālus, kas satur azbestu** (azbestam piemīt kancerogēnas īpašības)
- Materiāla (piemēram, svinu saturošas krāsas, dažu koka šķirņu, minerālu un metāla) putekļi var būt kaitīgi (saskare ar putekļiem vai to ieelpošana var izraisīt alerģiskas reakcijas un/vai elpošanas ceļu saslimšanas operatoram vai klātesošajiem); **izmantojiet putekļu masku un putekļsūcēju, ja to iespējams pievienot**
- Dažu veidu putekļi ir klasificēti kā kancerogēni (piemēram, ozola vai dižskābarža putekļi), jo īpaši apvienojumā ar koksnes kondicionēšanas piedevām; **izmantojiet putekļu masku un putekļsūcēju, ja to iespējams pievienot**

- Ievērojiet ar putekļu savākšanu saistītos nacionālos noteikumus, kas attiecas uz apstrādājamajiem materiāliem
- Turiet rokas drošā attālumā no zāģēšanas zonas un asmens; otru roku turēt uz cilindra roktura H ② (ja zāģi tur ar abām rokām, gūt savainojumu ar asmeni nav iespējams)
- Nepieskarieties ar rokām apstrādājamā priekšmeta apakšējai daļai (jūs neredzēsiet, cik tuvu asmens ir jūsu rokām)
- Neturiet zāģējamo priekšmetu rokās un neatbalstiet to pret kāju (lai mazinātu savainojumu gūšanas risku, zāģa asmens iestrēgšanu, kā arī lai nezaudētu kontroli pār instrumentu, ir ļoti svarīgi pareizi atbalstīt apstrādājamo priekšmetu)
- Apstrādājamā priekšmeta nostiprināšanai un atbalstam izmantojiet skavas vai citu aprikojumu (apstrādājamo priekšmetu rotot rokā vai atbalstot pret ķermeni, var tikt zaudēta kontrole pār instrumentu)
- Neizmantojiet neasus vai bojātus asmeņus (saliekti asmeņi var viegli salūzt vai radīt atsitieni)
- Turiet rokas drošā attālumā no vietas starp instrumenta korpusu un asmens skavu D ② (asmens skava var saspīest pirkstus)
- Raugieties, lai pirms zāģēšanas būtu stingra asmens skava D ② (vaļīga skava var radīt instrumenta vai asmens slīdēšanu, kā rezultātā zudīs kontrole pār instrumentu)
- Nemot laukā no instrumenta asmeni, izmantojiet aizsargcimdus (zāģa asmens pēc ilgākas lietošanas var būt karsts)
- Darba laikā uzvelciet aizsargbrilles un ausu aizsargus

## UZ INSTRUMENTA ATTĒLOTO SIMBOLU SKAIDROJUMS

- ③ Pirms izstrādājuma lietošanas izlasiet tā lietošanas pamācību
- ④ Divkārsa izolācija (nav jālieto zemējuma vads)
- ⑤ Neizmēti noliegto instrumentu sadzīves atkritumu tvērnē

## DARBS

- Ieslēgšana/izslēgšana ⑥
- Griešanās ātruma regulēšana  
Ar ritenīti C ② zāģēšanas ātrumu var iestatīt no maza līdz lielam (6 pozīcijas)
- Maksimālā darbības ātruma iestādīšana atbilstoši apstrādājamā materiāla īpašībām ⑦
- ! ja figurzāģis nedarbojas pie iestādītā ātruma, kas atbilst ritenīša C ② stāvoklim 1, iestādiet maksimālo darbības ātrumu un darba gaitā pakāpeniski to samaziniet
- Zāģa asmens uzstādīšana ⑧  
! atvienojiet instrumentu no elektrotīkla  
- paspiediet uz priekšu asmens skavu D un turiet to šādā pozīcijā  
- ielieciet asmeni (ar zobiem uz leju vai uz augšu) līdz galam  
- atlaidiet asmens skavu D  
- nedaudz pavelciet laukā asmeni, līdz skava D ievietojas taisni  
- iespiediet asmeni un izraujiet to, lai pārbaudītu, vai asmens ir pareizi nobloķējies

- ! raugieties, lai pirms zāģēšanas būtu stingra asmens skava D ② (vaļīga skava var radīt instrumenta vai asmens slīdēšanu, kā rezultātā zudīs kontrole pār instrumentu)
- ! nodrošiniet, lai asmens priekšējais gals visā virzuļa gājiena garumā izietu cauri atbalsta plāksnei E

- Zāģa asmens noņemšana ⑨
  - paspiediet uz priekšu asmens skavu D un turiet to šādā pozīcijā
  - izvelciet laukā asmeni
  - atlaidiet asmens skavu D
- Regulējama atbalsta plāksne ⑩
  - atbalsta plāksne E noliecās, lai tās virsma būtu pēc iespējas ciešākā saskarē ar apstrādājamo priekšmetu
  - noregulējiet atbalsta plāksni, stingri turot zāģi un pagriežot platformu vēlamajā stāvoklī
- Asmens uzglabāšanas nodalījums ⑪
  - raugieties, lai uzglabāšanas nodalījums F būtu aizvērts tā, lai asmeņi nevarētu izkrist
- Instrumenta darbināšana  
! stingri pieskavojiet apstrādājamo priekšmetu
  - atzīmējiet uz apstrādājamā priekšmeta griezuma līniju
  - ar ritenīti C ② izvēlieties vēlamo zāģēšanas ātrumu
  - pieslēdziet kontaktspraudni strāvas avotam (lampaņa B iedegās, norādot, ka instrumentam tiek piegādāta strāva) ⑫
  - ar vienu roku turiet instrumentu aiz roktura G ② un ar otru roku uz izolētā cilindra roktura H ②
  - ieslēdziet instrumentu
- ! pirms asmens iespiežas apstrādājamajā priekšmetā instrumentam ir jādarbojas ar pilnu ātrumu
  - virziet instrumentu pa atzīmēto griezuma līniju
  - turiet atbalsta plāksni E ② cieši piespiestu apstrādājamajam priekšmetam, lai samazinātu pretspēku un vibrāciju
- Instrumenta turēšana un vadīšana  
! darba laikā vienmēr turiet instrumentu aiz pelēkās krāsas noturvirsmas(ām) ⑬
  - nenosprostojiet instrumenta ventilācijas atveres J ②
  - darba laikā pārlieku nespiediet instrumentu; ļaujiet tam darboties nominālā režīmā
- ! nodrošiniet, lai asmens priekšējais gals visā virzuļa gājiena garumā izietu cauri apstrādājamajam priekšmetam ⑭
- Efektīvas zāģēšanas dziļuma iestādīšana ⑮
  - izmantojiet abas stiprinājumu skrūves K atbalsta plāksnes bīdīšanai E uz priekšu/atpakaļ, lai palielinātu/samazinātu efektīvas zāģēšanas dziļuma
- ! nemēģiniet virzuļa gājienu regulēt ar skrūvi L, kas iepriekš iestatīta rūpnīcā

## PRAKTISKI PADOMI

- Iegremdēšanas zāģēšana ⑯  
Iegremdēšanas griezumus var veikt kokā un citos mīkstos materiālos, vispirms izurbjot tajos caurumu
- izmantojiet biezu zāģa asmeni
- uzstādiet asmeni ar zobiem uz augšu
- turiet zāģi otrādi kā tas parādīts
- atzīmējiet uz apstrādājamā priekšmeta vēlamo griezuma līniju



- ar rītenīti C izvēlieties pozīciju 1, 2 vai 3
- pielieciet instrumentu tā, lai asmens nepieskartos apstrādājamajam priekšmetam
- ieslēdziet instrumentu un uzmanīgi virziet kustībā esošo zāga asmeni apstrādājamajā priekšmetā
- pēc tam, kad asmens ir izgājis cauri apstrādājamajam priekšmetam, turpiniet zāgēt pa atzīmēto griezuma līniju

**! nemēģiniet veikt iegremdēšanas griezumus metālā**

- Lietojiet apstrādājamā materiāla īpašībām piemērotus zāga asmeņus (17)
- Zāgējot metālu, periodiski ieeļļojiet zāga asmeni
- Zāgēšana bez apstrādājamā materiāla daļiņu atšķelšanās
  - pirms zāgēšanas pārklājiēt zāgējuma līniju ar vairākiem slāņiem platas līmlentes
  - novietojiet apstrādājamo priekšmetu tā, lai zāgēšanas laikā dekoratīvā puse būtu vērsta leļup
- Papildu ieteikumi ir sniegti datorfīkla vietnē www.skil.com

## APKALPOŠANA / APKOPE

- Šis darbarīks nav paredzēts profesionālai lietošanai
- Uzturiet tīru instrumentu un elektrokabeli (īpaši ventilācijas atveres J (2))
  - ! pirms instrumenta tīrīšanas atvienojiet to no elektrofīkla**
- Ja, neraugoties uz augsto izgatavošanas kvalitāti un rūpīgo pēcražošanas pārbaudi, instruments tomēr sabojājas, tas jānogādā remontam firmas SKIL pilnvarotā elektroinstrumentu remonta darbnīca
  - nogādājiet instrumentu **neizjauktā veidā** kopā ar iegādes dokumentiem tuvākajā tirdzniecības vietā vai firmas SKIL pilnvarotā pēciegādes apkalpošanas un remonta iestādē (adreses un instrumenta apkalpošanas shēma ir sniegta interneta vietnē www.skil.com)

## APKĀRTĒJĀS VIDES AIZSARDZĪBA

- **Neizmetiet elektroiekārtas, piederumus un iesaiņojuma materiālus sadzīves atkritumos** (tikai ES valstīm)
  - saskaņā ar Eiropas Savienības direktīvu 2012/19/ES par nolietotajām elektriskajām un elektroniskajām iekārtām un tās atspoguļojumiem nacionālajā likumdošanā, nolietotās elektroiekārtas ir jāsavāc, jāizjauc un jānogādā otrreizējai pārstrādei apkārtējai videi nekaitīgā veidā
  - Īpašs simbols (5) atgādina par nepieciešamību izstrādājumus utīlīzēt videi nekaitīgā veidā

## ATBILSTĪBAS DEKLARĀCIJA CE

### Virzulzāģis 4900

#### Tehniskie parametri (1)

- Mēs ar pilnu atbildību paziņojam, ka sadaļā "Tehniskie parametri" aprakstītais izstrādājums atbilst šādiem standartiem vai normatīvajiem dokumentiem: EN 60745, EN 61000, EN 651014, kā arī direktīvām 2004/108/EK (līdz 19.04.2016), 2014/30/ES (no 20.04.2016), 2006/42/EK, 2011/65/ES

- **Tehniskā dokumentācija no:** SKIL Europe BV (PT-SEU/ENG1), 4825 BD Breda, NL

Marijn van der Hoofden  
Operations & Engineering

Olaf Dijkgraaf  
Approval Manager




SKIL Europe BV, 4825 BD Breda, NL

12.03.2015

## TROKSNIS/VIBRĀCIJA

- Saskaņā ar standartu EN 60745 noteiktais instrumenta radītā trokšņa skaņas spiediena līmenis ir 90 dB(A) un skaņas jaudas līmenis ir 101 dB(A) (pie tipiskās izkliedes 3 dB), un vibrācijas paātrinājums ir \* m/s<sup>2</sup> (vektoru summa trijos virzienos; izkliede K = 1,5 m/s<sup>2</sup>)
  - \* zāgējot skaidu plātnes 12,1 m/s<sup>2</sup>
  - \* zāgējot koka baļķi 12,2 m/s<sup>2</sup>
- Vibrācijas līmenis ir noteikts, izmantojot standartā EN 60745 paredzēto procedūru; to var izmantot, lai salīdzinātu instrumentus un vizuāli izvērtētu vibrācijas iedarbību, lietojot instrumentu minētajiem mērķiem
  - instrumenta izmantošana citiem mērķiem vai ar citiem vai nepietiekami koptiem piederumiem var ievērojami **palielināt** kopējo vibrācijas iedarbības pakāpi
  - laika periodi, kad instruments ir izslēgts vai arī ir ieslēgts, taču darbs ar to nenotiek, var ievērojami **samazināt** kopējo vibrācijas iedarbības pakāpi
- ! pasargājiet sevi no vibrācijas iedarbības, veicot instrumentu un tā piederumu tehnisko apkopi, novēršot roku atdzišanu un pareizi organizējot darbu**

LT

## Slankiojantis pjūklas

4900

## ĪVADAS

- Šis prietaisas skīrtas medžio, plastmasēs, metalo ir statybinių medžiagų pjaustymui, taip pat medžių genėjimui ir karpymui; juo galima pjauti tiesiai ir lenkai
- Šis prietaisas neskirtas profesionaliam naudojimui
- Perskaitykite ir išsaugokite šią naudojimo instrukciją (3)

## TECHNINIAI DUOMENYS (1)

## PRIETAISO ELEMENTAI (2)

- A Įjungimo/išjungimo jungiklis
- B Indikatorius "Įjungta"
- C Sūkių reguliatoriaus ratukas
- D Geležtės spaustuvas
- E Reguliuojama atrama
- F Skyrius geležtės laikyti
- G Rankena
- H Veleno griebtukas
- J Ventiliacinės angos

- K Tvirtinimo varžtai
- L Geležinės laikiklio varžtas

## SAUGA

### BENDROSIOS DARBO SAUGOS INSTRUKCIJOS

**⚠ DĖMESIO!** Perskaitykite visas šias saugos nuorodas ir reikalavimus. Jei nepaisysite žemiau pateiktų saugos nuorodų ir reikalavimų, gali trenkti elektros smūgis, kilti gaisras ir/arba galite sunkiai susižaloti arba sužaloti kitus asmenis. **Išsaugokite šias saugos nuorodas ir reikalavimus, kad ir ateityje galėtumėte jais pasinaudoti.** Toliau pateiktame tekste vartojama sąvoka "elektrinis įrankis" apibūdina įrankius, maitinamus iš elektros tinklo (su maitinimo laidu), ir akumulatorinius įrankius (be maitinimo laido).

#### 1) DARBO VIETOS SAUGUMAS

- a) **Darbo vieta turi būti švari ir tvarkinga.** Netvarka ar blogai apšviesta darbo vieta gali tapti nelaimingų atsitikimų priežastimi.
- b) **Nedirbkite tokioje aplinkoje, kur yra degių skysčių, dujų ar dulkių.** Elektriniai įrankiai gali kibirkščiuoti, o nuo kibirkščių dulkės arba susikaupę garai gali užsidegti.
- c) **Dirbdami su elektriniu įrankiu neieskite šalia būti žiūrovams, vaikams ir lankytojams.** Nukreipę dėmesį į kitus asmenis galite nebesuvaldyti prietaiso.

#### 2) ELEKTROSAUGA

- a) **Maitinimo laido kištukas turi atitikti tinklo rozetės tipą.** Kištuko jokių būdų negalima modifikuoti. **Nenaudokite jokių kištuko adapterių su žemintais prietaisais.** Originalūs kištukai, tiksliai tinkantys elektros tinklo rozetei, sumažina elektros smūgio pavojų.
- b) **Venkite kūno kontakto su žemintais paviršiais, tokiais kaip vamzdžiai, šildytuvai, viryklės ar šaldytuvai.** Egzistuoja padidinta elektros smūgio rizika, jei Jūs kūnas bus žemintas.
- c) **Saugokite prietaisą nuo lietaus ir drėgmės.** Jei vanduo patenka į elektrinį prietaisą, padidėja elektros smūgio rizika.
- d) **Nenaudokite maitinimo laido ne pagal paskirtį, t. y. neneškite prietaiso paėmę už laido, nekabinkite prietaiso už laido, netraukite už jo, norėdami išjungti kištuką iš rozetės. Laidą klokite taip, kad jo neveiktų karštis, jis neišsitemptų alyva ir jo nepažeistų aštrios detalės ar judančios prietaiso dalys.** Pažeisti arba susipynę laidai gali tapti elektros smūgio priežastimi.
- e) **Jei su elektriniu įrankiu dirbate lauke, naudokite tik tokius ilginimo kabelius, kurie tinka lauko darbams.** Naudojant lauko darbams pritaikytus ilginimo kabelius, sumažinamas elektros smūgio pavojus.
- f) **Jei su elektriniu įrankiu neišvengiamai reikia dirbti drėgnoje aplinkoje, naudokite žeminio grandinės pertraukiklį.** Naudojant žeminio grandinės pertraukiklį, sumažėja elektros smūgio pavojus.

#### 3) ŽMONIŲ SAUGA

- a) **Būkite atidūs, sutelkite dėmesį į tai, ką Jūs darote ir, dirbdami su elektriniu įrankiu, vadovaukitės sveiku protu.** Nedirbkite su prietaisu, jei esate pavargę arba vartojote narkotikus, alkoholį ar medikamentus. Akimirksnio neatidumas naudojant prietaisą gali tapti rimtų sužalojimų priežastimi.

- b) **Naudokite asmenines apsaugos priemones ir visuomet užsidėkite apsauginius akinius.** Naudojant asmenines apsaugos priemones, pvz., respiratorių ar apsauginę kaukę, neslystančius batus, apsauginį šalną, klausos apsaugos priemones ir kt., rekomenduojamas dirbant su tam tikros rūšies įrankiais, sumažėja rizika susižeisti.
  - c) **Saugokitės, kad neįjungtumėte prietaiso atsitiktinai. Prieš prijungdami elektrinį įrankį prie elektros tinklo ir/arba akumulatoriaus, prieš pakeldami ar nešdami įsitinkite, kad jis yra išjungtas.** Jeigu nešdami elektrinį įrankį pirštą laikysite ant jungiklio arba prietaisą įjungsite į elektros tinklą, kai jungiklis yra įjungtas, gali įvykti nelaimingas atsitikimas.
  - d) **Prieš įjungdami prietaisą pašalinkite reguliavimo įrankius arba veržlių raktus.** Prietaiso besisukančioje dalyje esantis įrankis ar raktas gali tapti sužalojimų priežastimi.
  - e) **Nepervertinkite savo galimybių. Dirbdami atsistokite patikimai ir visada išlaikykite pusiausvyrą.** Patikima stovėseną ir tinkama kūno laikysena leis geriau kontroliuoti prietaisą netikėtose situacijose.
  - f) **Dėvėkite tinkamą aprangą. Nedėvėkite plačių drabužių ir papuošalų. Saugokite plaukus, drabužių ir pirštėns nuo besisukančių prietaiso dalių.** Laisvus drabužius, papuošalus bei ilgus plaukus gali įtraukti besisukančios dalys.
  - g) **Jei yra numatyta galimybė prijungti dulkių nusiurbimo ar surinkimo įrenginius, visada įsitinkite, ar jie yra prijungti ir ar teisingai naudojami.** Naudojant dulkių nusiurbimo įrenginius sumažėja kenksmingas dulkių poveikis.
- #### 4) RŪPESTINGA ELEKTRINIŲ ĮRANKIŲ PRIEŽIŪRA IR NAUDOJIMAS
- a) **Neperkraukite prietaiso. Naudokite Jūsų darbui tinkamą elektrinį įrankį.** Su tinkamu elektriniu įrankiu Jūs dirbsite geriau ir saugiau, jei neviršysite nurodyto galimumo.
  - b) **Nenaudokite elektrinio įrankio su sugedusiu jungikliu.** Elektrinis įrankis, kurio nebegalima įjungti ar išjungti, yra pavojingas ir jį reikia remontuoti.
  - c) **Prieš reguliuodami prietaisą, keisdami darbo įrankius ar prieš valydami prietaisą, iš elektros tinklo lizdo ištraukite kištuką ir/arba išimkite akumulatorių.** Ši saugomo priemonė apsaugos jus nuo netikėto prietaiso įsijungimo.
  - d) **Nenaudokite prietaisą sandėliuokite vaikams ir nemokantiems juo naudotis asmenims neprieinamoje vietoje.** Elektriniai įrankiai yra pavojingi, kai juos naudoja nepatyrę asmenys.
  - e) **Rūpestingai prižiūrėkite prietaisą. Tikrinkite, ar besisukančios prietaiso dalys tinkamai veikia ir niekur nekliūva, ar nėra sulūžusių ar šiaip pažeistų dalių, kurios įtakotų prietaiso veikimą.** Prieš vėl naudojant prietaisą pažeistos prietaiso dalys turi būti suremontuotos. Daugelio nelaimingų atsitikimų priežastis yra blogai prižiūrimi elektriniai įrankiai.
  - f) **Pjovimo įrankiai turi būti aštrūs ir švarūs.** Rūpestingai prižiūreti pjovimo įrankiai su aštriomis pjaunamosiomis briaunomis mažiau stringa ir juos yra lengviau valdyti.

- g) **Elektrinį įrankį, papildomą įrangą, darbo įrankius ir t. t. naudokite taip, kaip nurodyta šioje instrukcijoje. Taip pat atsižvelkite į darbo sąlygas bei atliekamo darbo pobūdį.** Naudojant elektrinius įrankius ne pagal jų paskirtį galima sukelti pavojingas situacijas.

#### 5) APTARNAVIMAS

- a) **Prietaisą turi remontuoti tik kvalifikuotas specialistas ir naudoti tik originalias atsargines dalis.** Taip galima garantuoti, jog prietaisas išliks saugus.

### SAUGOS NUORODOS DIRBANTIEMS SU SLANKIOJANTYS PJŪKLAI

#### PAPILDOMA ĮRANGA

- SKIL gali garantuoti nepriekaištingą prietaiso veikimą tik tuo atveju, jei naudojama originali papildoma įranga ir priedai
- Leidžiama naudoti tik tokius įrankius, kurių maksimalus leistinas apsisukimų skaičius yra ne mažesnis, nei maksimalus Jūsų prietaiso sukčių skaičius

#### PRIEŠ EKSPLOATACIJĄ

- Visada patikrinkite, ar elektros tinklo įtampa sutampa su įtampos dydžiu, nurodytu prietaiso vardinėje lentelėje
- Saugokitės, kad nepažeistumėte prietaiso į ruošinyje esančius varžtus, vinis ir pan; prieš pradėdami darbą juos pašalinkite

#### ELEKTROSAUGA

- Naudodami ilginamuosius kabelius atkreipkite dėmesį į tai, kad kabelis būtų iki galo išvyniotas ir būtų pritaikytas 16 A elektros srovėi
- **Ten, kur besisukantis pjūklas galėtų kliudyti paslėptą laidą ar savo paties maitinimo laidą, laikykite prietaisą už izoliuotų rankenų** (dėl kontakto su laidininku, kuriuo teka elektros srovė, metalinėse prietaiso dalyse atsiranda įtampa ir naudojotojas gali gauti elektros smūgį)
- **Naudodami tam skirtus paieškos prietaisus, patikrinkite, ar gręžimo vietoje nėra paslėptų komunalinių tinklų vamzdynų, arba pasikvieskite į pagalbą vietinius komunalinių paslaugų tiekėjus** (kontaktas su elektros laidais gali sukelti gaisro bei elektros smūgio pavojų; pažeidus dujotiekio vamzdį, gali įvykti sprogimas; pažeidus vandentiekio vamzdį, galima pridaryti daugybę nuostolių bei sukelti elektros smūgio pavojų)

#### ŽMONIŲ SAUGA

- Atsiradus mechaninio ar elektrinio pobūdžio trukdžiams, tuojau pat išjunkite prietaisą ir ištraukite kištuką iš elektros tinklo lizdo
- Šį prietaisą turėtų naudoti tik asmenys, kuriems 16 ir daugiau metų
- **Draudžiama apdirbti medžiagas, kurių sudėtyje yra asbesto** (asbestas pasižymi vėžį sukeliančiu poveikiu)
- Kai kurių medžiagų, kaip antai dažų, kurių sudėtyje yra švino, kai kurių medžių rūšių medienos, mineralų ir metalo dulkių gali būti kenksmingos (kontaktas su šiomis dulkėmis arba įkvėptos dulksės gali sukelti operatoriui arba šalia esantiems žmonėms alergines reakcijas ir/arba kvėpavimo sistemos susirgimus); **mūvėkite priešdulkinę puskaukę arba dirbdami naudokite dulkių ištraukimo įrenginį, jei ji galima prijungti**
- Kai kurių rūšių dulksės priskiriamos kancerogeninėms (pvz., ažuolo arba buko medienos dulksės), ypač

susimaišiusios su medienos taurinimui naudojamais priedais; **mūvėkite priešdulkinę puskaukę arba dirbdami naudokite dulkių ištraukimo įrenginį, jei ji galima prijungti**

- Vadovaukitės Jūsų šalyje taikomų direktyvų reikalavimais, skirtais medžiagoms, su kuriomis norite dirbti
- **Patraukite rankas nuo pjovimo vietos ir geležtės; antrą ranką padėkite ant veleno griebtuvo H** ② (jei abiem rankom laikysite pjūklą, pjūklo diskas jų negalės sužeisti)
- **Nelieskite apdirbamo ruošinio apačios** (jums nematomas atstumas nuo geležtės iki jūsų rankos)
- **Pjaunamo ruošinio niekada nelaikykite rankose ar pasidėję ant kojos** (labai svarbu ruošinį tinkamai paremti, kad išlaikytumėte stabilią kūno padėtį, neužstrigtų pjūklo diskas ar neprarastumėte kontrolės)
- **Norėdami apsaugoti ir pritivirtinti pjaunamą daiktą naudokite spauštukus arba panašų prietaisą** (laikydami pjaunamą daiktą rankoje arba atrėmę jį kūną galite prarasti kontrolę)
- **Nenaudokite neaštrių ir pažeistų pjūklo diskų** (lenkiamos geležtės gali lengvai lūžti arba sąlygoti atranką)
- **Nelaikykite rankų tarp įrankio korpuso ir geležtės spauštuko D** ② (geležtės spauštukas gali nužnybti jūsų pirštus)
- **Prieš pjudami įsitinkite, ar geležtės spauštukas D** ② tinkamai priveržtas (tinkamai nepriveržus spauštuko, geležtė gali išslysti ir nebebus įmanoma suvaldyti prietaiso)
- **Išimdami geležtę iš prietaiso mūvėkite apsaugine pirštines** (pjūklo geležtė po ilgesnio naudojimo gali būti įkaitusi)
- Užsidėkite apsauginius akinius ir klausos apsaugos priemones

#### ANT PRIETAISO ESANČIŲ SIMBOLIŲ REIKŠMĖS

- ③ Prieš naudodami įrankį perskaitykite instrukcijų vadovą
- ④ Dviguba izoliacija (žeminio laido nereikia)
- ⑤ Nemeskite prietaisą į buitinių atliekų konteinerius

### NAUDOJIMAS

- Įjungimas/išjungimas ⑥
- Sukčių reguliavimas  
Ratuku C ② pjovimo greitį galima reguliuoti nuo lėto iki spartaus (6 padėtyų)
- Pjūklelio judėjimo greičio reguliavimas pagal pjaunamą medžiagą ⑦  
**! jei regulatoriaus ratukas C ② nėra padėtyje 1, pasirinkite didesnę pjovimo judesių dažnį ir po to, prietaisui veikiant, sumažinkite jį iki reikiamo dažnio**
- Pjūklo geležtės montavimas ⑧  
**! ištraukite kištuką iš elektros lizdo**
  - geležtės spauštuką D pastumkite į priekį ir laikykite šioje pozicijoje
  - įstatykite geležtę (dantukais į viršų ar apačią) iki galo
  - atleiskite geležtės spauštuką D
  - traukite geležtę tol, kol spauštuko D padėtis spragtelėjusi tampa kvadratinė
  - pabandykite pajudinti geležtę visomis kryptimis, kad įsitikintumėte, ar ji užfiksuota teisingai

- ! prieš pjudami įsitikinkite, ar geležtės spauštukas D ② tinkamai priveržtas (tinkamai nepriveržus spauštuko, geležtė gali išslysti ir nebebus įmanoma suvaldyti prietaiso)
- ! įsitikinkite, ar priekinė geležtės dalis eina per atramą E per visą mojį
- Pjūklo geležtės nuėmimas ⑨
  - geležtės spauštuką D pastumkite į priekį ir laikykite šioje pozicijoje
  - ištraukite geležtę
  - atleiskite geležtės spauštuką D
- Reguluojama atrama ⑩
  - atrama E pakrypsta, kad paviršius išlaikytų kuo didesnę sąlytį su pjaunamu daiktu
  - nustatykite reikiamą atramos poziciją tvirtai laikydami pjūklą ir pasukdami atramą į reikiamą poziciją
- Skyrius geležtėms laikyti ⑪
  - įsitikinkite, ar skyrius geležtėms laikyti F gerai uždarytas, kad geležtės neiškristų
- Prietaiso naudojimas
  - ! saugiau pritvirtinkite pjaunamą daiktą
    - pažymėkite pjovimo liniją ant pjaunamo objekto
    - ratuku C ② pasirinkite pageidaujamą pjovimo greitį
    - įjunkite kištuką į maitinimo šaltinį (užsidega B lempuotė, rodanti, kad prietaisas yra maitinamas) ⑫
    - įrankį viena ranka laikykite už rankenos G ②, o kita - už atskirto veleno griebtuko H ②
    - įjunkite prietaisą
  - ! prietaisas turi veikti visu greičiu prieš jam susiliečiant su pjaunamu daiktu
    - kreipkite įrankį pažymėta pjovimo linija
    - tvirtai laikykite atramą E ② prieš pjaunamą daiktą, kad sumažintumėte pasipriešinimą ir vibraciją
- Prietaiso laikymas ir valdymas
  - ! dirbdami laikykite prietaisą už pilkos spalvos suėmimo vietas (-ų) ⑬
    - ventiliacines angas J ② laikykite neuždengtas
    - nespauskite prietaiso pernelyg stipriai; tegul prietaisas dirba už Jus
  - ! įsitikinkite, ar pjūklo geležtė eina už pjaunamo daikto per visą mojį ⑭
- Veiksmingai pjovimo gylio reguliavimas ⑮
  - abiem tvirtinimo varžtais K stumkite slankiąją atramą E pirmyn/atgal, norėdami padidinti/sumažinti veiksmingai pjovimo gylio
- ! nebandykite reguliuoti reikiamo pjūvio ilgio sraigtu L, kuris buvo nustatytas gamykloje

## NAUDOJIMO PATARIMAI

- Smeigiamieji pjūviai ⑯
  - Smeigiamuosius pjūvius galima padaryti medienoje ir kitose minkštosiose medžiagose negręžiant skylės
  - naudokite storas pjūklo geležtes
  - primontuokite geležtę dantukais į viršų
  - laikykite pjūklą apverstą, kaip iliustruota
  - pažymėkite reikiamą pjovimo liniją ant pjaunamo daikto
  - ratuku C pasirinkite 1, 2 ar 3 padėtis
  - pakreipkite įrankį taip, kad geležtė neliestų pjaunamo daikto
  - įjunkite įrankį ir atsargiai nuleiskite judančią geležtę prie pjaunamo daikto

- geležtei įsiskverbus į pjaunamą daiktą pjaukite pažymėta pjovimo linija

! nedarykite smeigiamųjų pjūvių metalinėse medžiagose

- Naudokite tinkamus pjūklelius ⑰
- Pjudami metalą periodiškai sutepkite pjūklelių alyva
- Pjovimas be atplaišų
  - prieš pjudami pjūvio liniją užklijuokite keliasis sluoksniais lipnios juostos
  - apverskite ruošinį gerąja puse į apačią
- Daugiau patarimų rasite internete [www.skil.com](http://www.skil.com)

## PRIEŽIŪRA / SERVISAS

- Šis prietaisas neskirtas profesionaliam naudojimui
- Periodiškai valykite prietaisą ir kabelį (ypač ventiliacines angas J ②)
  - ! prieš valydami ištraukite kištuką iš elektros tinklo lizdo
- Jeigu prietaisas, nepaisant gamykloje atliekamo kruopštaus gamybos ir kontrolės proceso, vis dėlto sugestų, jo remontas turi būti atliekamas įgaliotose SKIL elektrinių įrankių remonto dirbtuvėse
  - neišardytą prietaisą kartu su pirkimo čekiu siųskite tiekėjui arba į artimiausią SKIL firmos įgaliotą elektros prietaisų techninio aptarnavimo tarnybą (adresus bei atsarginių dalių brėžinius rasite [www.skil.com](http://www.skil.com))

## APLINKOSAUGA

- Nemeskite elektrinių įrankių, papildomos įrangos ir pakuotės į buitinių atliekų kontenerius (galioja tik ES valstybėms)
  - pagal ES Direktyvą 2012/19/EG dėl naudotų elektrinių ir elektroninių prietaisų atliekų utilizavimo ir pagal vietinius valstybės įstatymus atitarnavę elektriniai įrankiai turi būti surenkami atskirai ir gabunami į atnaujinamą ir tvarkomą vietas, kur jie turi būti sunaikinami ar perdirbami aplinkai nekenksmingu būdu
  - apie tai primins simbolis ⑤, kai reikės išmesti atitarnavusį prietaisą

## ATITIKTIES DEKLARACIJA C E

Slankiojantis pjūklas 4900

Techniniai duomenys ①

- Atsakingai pareiškiami, kad skyrįje "Techniniai duomenys" aprašytas gaminytis atitinka žemiau pateiktus standartus ir norminius dokumentus: EN 60745, EN 61000, EN 55014 pagal direktyvą 2004/108/EB (iki 2016-04-19), 2014/30/ES (nuo 2016-04-20), 2006/42/EB, 2011/65/ES reikalavimus
- Techninė byla laikoma: SKIL Europe BV (PT-SEU/ENG1), 4825 BD Breda, NL

Marijn van der Hoofden      Olaf Dijkgraaf  
Operations & Engineering      Approval Manager

SKIL Europe BV, 4825 BD Breda, NL

12.03.2015

## ТРИУКЅМИГУМАС/ВИБРАЦИЈА

- Šio prietaiso triukšmingumas buvo išmatuotas pagal EN 60745 reikalavimus; keliamo triukšmo garso slėgio lygis siekia 90 dB(A) ir akustinio galingumo lygis 101 dB(A) (standartinis nuokrypis: 3 dB), ir vibracijos \* m/s<sup>2</sup> (trijų krypčių atstojamasis vektorius; paklaida K = 1,5 m/s<sup>2</sup>)
    - \* pjudami drožlių plokštes 12,1 m/s<sup>2</sup>
    - \* pjudami medines sijas 12,2 m/s<sup>2</sup>
  - Vibracijos sklaidos lygis išmatuotas pagal standarte EN 60745 išdėstytus standartizuoto bandymo reikalavimus; ši vertė gali būti naudojama vienam įrankiui palyginti su kitu bei išankstiniams vibracijos poveikiui įvertinti, kai įrankis naudojamas paminėtais būdais
    - naudojant įrankį kitokiais būdais arba su kitokiais bei netinkamai prižiūrimais priedais, gali žymiai **padidėti** poveikio lygis
    - laikotarpiams, kai įrankis išjungtas arba yra įjungtas, tačiau juo nedirbama, gali žymiai **sumažėti** poveikio lygis
- ! apsisaugokite nuo vibracijos poveikio prižiūrėdami įrankį ir jo priedus, laikydami rankas šiltai ir derindami darbo ciklus su pertraukėlėmis**

МК

## Повратна пила

4900

### УПАТСТВО

- Овој алат е наменет за сечење на дрво, пластика, метал и градежни материјали, како и отсекување на дрва и кратење; ова е корисно за праволиниски и заоблени засеци
- Овој алат не е наменет за професионална употреба
- Внимателно прочитајте го и зачувајте го ова упатство за ракување ③

## ТЕХНИЧКИ ПОДАТОЦИ ①

### ЕЛЕМЕНТИ НА АЛАТОТ ②

- A Прекинувач за вклучување/исклучување
- B Индикатор за “Вклученост”
- C Тркало за избор на брзината
- D Држач за сечиво
- E Основна плоча која се прилагодува
- F Дел за чување на сечилото
- G Дршка
- H Кружната дршка
- J Отвори за вентилација
- K Завртки за затегнување
- L Штрафче за држачот на сечилото

## БЕЗБЕДНОСТ

### ОПШТИ УПАТСТВА ЗА БЕЗБЕДНОСТ

**▲ ПРЕДУПРЕДУВАЊЕ!** Сите упатства мора да се прочитаат. Непочитување на долу наведените упатства може да предизвика струен удар, пожар и/или тешки повреди. **Чувајте ги сите предупредувања и напатствија за во иднина.** Поимот “електричен алат”,

кој се користи во понатамошниот текст, се однесува на вашиот електричен алат (со приклучен кабел) и на електрични алати со погон на батерии (без приклучен кабел).

### 1) БЕЗБЕДНОСТ НА РАБОТНОТО МЕСТО

- Одржувајте го вашето работно место чисто и уредно.** Неуреден или темен работен простор може да предизвикаат незгоди.
- Немојте да работите со уредот во средина во која има опасност од експлозија, во која има запалливи течности, гасови и прашина.** Електричните алати произведуваат искри кои можат да запалат прашина или пара.
- За време на употребата на електричниот алат, децата и останатите лица држете ги подалеку од местото каде работите.** Одвраќање, би можеле да изгубите контрола врз уредот.

### 2) ЕЛЕКТРИЧНА СИГУРНОСТ

- Утикач мора да одговара на приклученост. Никако не смее да се прават измени на штекерот. Не користете адаптерски штекер заедно со уредот кој е заштитно заземјен.** Не променети штекери и соодветни приклучоци го намалуваат ризикот од електричен удар.
  - Избегнувајте допир на телото со заземјени површини, како што се цевки, радијатори, рерни и фрижидери.** Постои зголемена опасност од струен удар, доколку Вашето тело е заземјено.
  - Чувајте го уредот подалеку од дожд и влага.** Продирањето на вода во електричниот уред ја зголемува опасноста од струен удар.
  - Не злоупотребувајте го приклучниот кабел за носење, бeseње на уредот или за извентување на штекерот од мрежниот приклучок. Чувајте го кабелот подалеку од топлина, масло, остри рабови или деловите на апаратот кои се движат.** Оштетени или заплеткани кабли ја зголемуваат опасноста од струен удар.
  - Кога го употребувате полначот надвор, користете продолжен кабел кој е соодветен за употреба на отворен простор.** Примената на продолжен кабел соодветен за работа на отворен простор ја намалува опасноста од струен удар.
  - Доколку не може да се избегне работа со електричниот алат во влажна средина, користете прекинувач за струјна заштита при технички проблеми.** Употребата на прекинувачот за струјна заштита при технички проблеми го намалува ризикот од електричен удар.
- ### 3) БЕЗБЕДНОСТ НА ЛУЃЕ
- Бидете внимателни, внимавајте што правите и постапувајте внимателно додека работите со електричниот алат. Не работете со уредот доколку сте уморни или под дејство на дрога, алкохол или лекови.** Еден момент на невнимание при употребата може да доведе до сериозни повреди.
  - Носете ја личната заштитна опрема и секогаш носете заштитни очила.** Носењето на личната заштитна опрема, како што е маската за прашина, безбедносната облека која не се лизга, заштитен шлем или штитник за слух, зависно од видот и

- примената на електричниот алат, ја намалува опасноста од повреда.
- c) **Избегнувајте невнимателно вклучување за време на работата. Осигурајте се прекинувачот да биде во “OFF” позиција пред да го ставите штекерот во приклучокот.** Доколку го носите електричниот алат со прстот на прекинувачот или го приклучувате апаратот кој е приклучен со напојување на струја, може да предизвикате незгоди.
- d) **Пред вклучување на уредот, тргнете ги алатите за подесување или клучот за навртување.** Алатот или клучот кој се наоѓа во вртливиот дел на уредот, може да предизвика незгода.
- e) **Не ги преценувајте своите способности. Завземете сигурен и стабилен став и во секој момент одржувајте рамнотежа.** На тој начин можете подобро да го контролирате уредот во неочекувани ситуации.
- f) **Носете соодветна облека. Не носете широка облека или накит. Носата, облеката и ракавиците држете ги подалеку од деловите кои се движат.** Комотната облека, накитот или долгата коса може да бидат фатени во деловите кои се движат.
- g) **Доколку може да се монтираат направи за вшмукување и фаѓање прашина, проверете дали се вклучени и дали можат исправно да се користат.** Примената на овие направи ја намалува опасноста од прашината.
- 4) ВНИМАТЕЛНА УПОТРЕБА И РАКУВАЊЕ СО ЕЛЕКТРИЧНИТЕ АЛАТИ**
- a) **Не го преоптеретувајте уредот.** При вашата работа користете го предвидениот електричен алат за таа употреба. Со соодветниот електричен алат ќе работите подобро и посигурно во наведената функционална област.
- b) **Не користете електричен алат чиј прекинувач е неисправен.** Електричниот алат кој повеќе не може да се вклучува и исклучува е опасен и мора да се поправи.
- c) **Извлечете го штекерот од приклучокот пред извршување на било какви подесувања на апаратот, замена на приборот или складирање.** Со овие мерки на внимателност ќе се избегне невнимателното вклучување на уредот.
- d) **Тргнете го електричниот алат кој не го користите од допирот на децата. Не допуштајте работа со уредот на лица кои не се запознаени со него или кои го немаат прочитано ова упатство.** Електричните алати се опасни доколку со нив работат неискусни лица.
- e) **Одржувајте го уредот со внимание. Имајте контрола околу тоа дали движечките делови на уредот работат беспрекорно и дали не се заглавени, дали деловите се скриени или оштетени до таа мерка што не може да се обезбеди функционирање на уредот. Пред примената, овие оштетени делови треба да се поправат.** Причина за многу незгоди е лошо одржуваниот електричен алат.

- f) **Алатите за сечење одржувајте ги остри и чисти.** Внимателно одржуваните алати за сечење со остри отприци помалку ќе се заглавуваат и со нив работата ќе биде полесна.
- g) **Електричниот алат, прибор, работни алати итн., треба да ги користите според овие упатства, и на начин кој е опишан за соодветниот тип на уред. При тоа, земете ги предвид работните услови и работата која се извршува.** Употребата на електричните алати за други цели кои не се предвидени, може да предизвика опасни ситуации.
- 5) СЕРВИСИРАЊЕ**
- a) **Поправката на Вашиот уред препуштете им ја само на обучен, стручен кадар на овластен сервисер, и само со оригиналните резервни делови.** На тој начин ќе се обезбеди уредот да остане со зачувана безбедност.

## БЕЗБЕДНОСНИ УПАТСТВА ЗА ПОВРТАТНА ПИЛА

### ПРИБОР

- SKIL може да признае гаранција само доколку е користен оригинален прибор
- Користете само прибор чија дозволена брзина е во најмала рака еднаква на најголемата брзина при празен од на електричниот алат

### ПРЕД УПОТРЕБА

- Секогаш проверувајте напонот да е ист со оној кој е назначен на плочката на алатот
- Избегнувајте оштетувања од штрафови, шајки и други предмети во местото каде работите; тргнете ги пред да почнете со работа

### ЕЛЕКТРИЧНА БЕЗБЕДНОСТ

- Продолжениот кабел кој го користите, мора да биде сосема одмотан и безбеден, со капацитет од 16 A
- **Алатот држете го за изолираните дршки, кога извршувате работи каде алатот за сечење може да дојде во контакт со инсталации или со сопствениот кабел** (контактот со електрична инсталација исто така ги прави изложените метални делови на алатот наелектризирани и може да доведе до струен удар)
- **Користете соодветни детектори за наоѓање на скриени инсталации или повикајте соодветна компанија за помош** (контактот со електричните линии може да доведе до струен удар; оштетувањата во гасоводна цевка може да резултира со експлозија; пенетрирање во водоводна инсталација може да доведе до оштета на предмети или електричен удар)

### ЛИЧНА ЗАШТИТА

- Во случај да дојде до електричен или механички дефект, веднаш исклучете го алатот и исклучете го од приклучокот
- Овој алат не треба да го користат лица под 16 години
- **Не обработувајте никанов материјал кој содржи азбест** (азбестот важи за предизвикувач на рак)
- Прашината од материјали како боја која содржи олово, некои видови дрво, минерали и метали, може да биде штетна за здравјето (контактот со прашината или нејзиното вдишување може да шредизвика алергии и/или болести на дишните органи за оној кој работи со алатот или луѓето во

- близина); **носете масна за прашина и работете со правосмукалки доколку можете да ги поврзете**
- Некои видови на прашина се канцерогени (како на пример прашината од даб или бука), особено заедно со адитиви за одржување на дрвото; **носете масна за прашина и работете со правосмукалки доколку можете да ги поврзете**
  - Следете ги процедурите на вашата земја за прашината која се јавува како резултат од материјалите со кои работите
  - Држете ги рацете подалеку од површината за сечење и сечилото; држете ја другата рака на кружната дршка H ②** (доколку двете раце ја држат пилата, може да бидат исечени од сечилото)
  - Не посегнувајте под материјалот кој го обработувате** (близината на сечилото до вашата рака во тој случај нема да ви биде видлива)
  - Никогаш не држете го материјалот кој се сече во вашите раце или преку вашата нога** (битно е да се зацврсти обработката соодветно, за да се намали изложеноста на телото, заглавувањето на сечилото или губењето на контрола)
  - Користете стеги или друга опрема за да го зацврстите материјалот** (држењето на материјалот во вашата рака или спроти вашето тело, може да доведе до губење на контрола)
  - Не користете тапо или оштетено сечило** (кривите сечила лесно може да се скршат или да предизвикаат повратен удар)
  - Рацете држете ги на страна од местото помеѓу куйшето на алатот и држачот за сечилото D ②** (држачот за сечилото може да ги фати вашите прсти)
  - Осигурајте се држачот за сечилото D ②** да е стегнат пред да сечете (лабав држач може да предизвика алатот или сечилото да се лизнат, и да се изгуби контролата како резултат на тоа)
  - Користете заштитни ракавици кога го отстранувате сечилото од алатот** (сечилото на пилата може да се загрее по подолга употреба)
  - Носете заштитни очила и заштита за ушите
- ОБЈАСНУВАЊЕ ЗА СИМБОЛИТЕ ЗА АЛАТОТ**
- ③ Пред употреба прочитајте го прирачникот за употреба
- ④ Двојна изолација (не е потребна заземна жица)
- ⑤ Не фрлајте го алатот заедно со другиот отпад од домаќинството

## УПОТРЕБА

- Вклучено/Исклучено ⑥
- Контрола на брзината  
Со тркалцето C ② брзината на пилата може да се приспособува, од ниска кон висока (6 позиции)
- Местење на брзината на сечење во зависност од материјалот што се користи ⑦  
**! ако алатот не работи со тркалцето C ② во позиција 1, изберете поголема брзина на сечење и полена намалувајте ја брзината додека работи алатот**
- Монтирање на сечилото на пилата ⑧  
**! извлечете го приклучокот ако кабелот**  
- притиснете го држачот за сечилото D кон напред и држете го во таа позиција

- вметнете го сечилото (со запците надолу или нагоре) до крај
- пуштете го држачот за сечилото D
- извлечете го сечилото до таа мера, додека држачот D не кликне во вистинската позиција
- турнете го и извлечете го сечилото за да проверите дали е правилно наместено
- ! осигурајте се држачот на сечилото D ② да е зацврстен пред да сечете (лабав држач може да предизвика алатот или сечилото да се лизнат, и да се изгуби контролата како резултат на тоа)**
- ! осигурајте се предниот дел на сечилото да се протега низ плочата на основата E низ целата должина на движењето**
- Отстранување на сечилото ⑨
  - притиснете го држачот за сечилото D кон напред и држете го во таа позиција
  - извлечете го сечилото
  - пуштете го држачот за сечилото D
- Приспособливи плочи на основата ⑩
  - основата E се поместува за да може да има контакт со што е можно поголем дел од материјалот кој се обработува
  - подесете ја плочата на основата со држење на пилата цврсто и вртење на плочата до саканата позиција
- Дел за чување на сечилата ⑪
  - осигурајте се делот за чување на сечилата F да е затворен, за да не паѓаат сечилата од него
- Работа со алатот  
**! зацврстете го материјалот кој го обработувате**  
- означете ги линиите за сечење на обработката  
- изберете ја саканата брзина на пилата со тркалцето C ②  
- поврзете го штекерот со приклучокот за струја (се вклучува светлото B, означувајќи дека алатот има струја) ⑫  
- со една рака држете го алатот на дршката G ② и со другата држете ја изолираната дршка на вретеното H ②  
- вклучете го алатот  
**! алатот треба да работи во полна брзина, пред сечилото да ја допре обработката**  
- насочувајте го алатот низ назначената линија на сечење  
- плочата на основата E ②, држете ја цврсто спроти обработката, за да се намалат вибрациите од повратната сила
- Држење и насочување на алатот  
**! додека работите, сепкогаш држете го алатот за местото (местата) кое (кои) се означени со сива боја ⑬**  
- отворите за ладење J ② држете ги отворени  
- не притискајте премногу со алатот; дозволете тој сам да работи  
**! осигурајте се сечилото на пилата да се протега низ обработката за време на движењата ⑭**

- Подесување на ефективната длабочината на сечењето <sup>15</sup>
  - користете ги двете завртки за затегнување K за лизгање на плочата на основата E напред/назад за да се зголеми/намали ефективната длабочината на сечењето
- ! **не се обидувајте да ја приспособите ефективната должина со штрафчето L кое е претходно подесено при производството**

## СОВЕТИ ЗА ПРИМЕНА

- Повратно сечење <sup>16</sup>

Повратни засеци може да се направат во дрво и други меки материјали, без претходно дупчење на дупка

  - користете дебело сечиво за пилата
  - поставете го сечивото со запците насочени нагоре
  - држете ја пилата насочена надолу како што е прикажано
  - означете ја сананата линија на сечење на материјалот
  - изберете ја позицијата 1, 2 или 3 со тркалцето C
  - навалете го алатот така што сечилото не ја допира обработката
  - вклучете го алатот и внимателно почнете да ја движите пилата на обработката
  - штом сечилото ќе навлезе низ материјалот, продолжете да сечете низ назначената линија за сечење
- ! **не правете повратни засеци низ метални материјали**
- Користете соодветни сечила <sup>17</sup>
- Кога сечете метал ставете сечиво подмачкано со масло
- Сечење без поткршени рабови
  - прекријте ја линијата на сечењето со повеќеслојни или широки ленти пред да почнете со сечењето
  - лицето на материјалот е свртено надолу на работното место
- Многу други совети можете да најдете на [www.skil.com](http://www.skil.com)

## ОДРЖУВАЊЕ/СЕРВИСИРАЊЕ

- Овој алат не е наменет за професионална употреба
- Алатот и кабелот секогаш да се одржуваат чисти (особено отворите за ладење J <sup>2</sup>)
- ! **пред чистење извадете го алатот од приклучокот**
- Доколку алатот и покрај внимателното работење и контрола некогаш откаже, поправката мора да ја изврши некој овластен SKIL сервис за електрични алати
  - во случај на примедба, испратете го алатот **нерасклопен**, заедно со сметкопотврдата, до вашиот продавач или најблискиот SKIL сервис (адресите се наведени на [www.skil.com](http://www.skil.com))

## ЗАШТИТА НА ЖИВОТНАТА СРЕДИНА

- **Не се ослободувајте од електрични алати, уреди или амбалажа преку нивно фрлање во домашното ѓубре** (само за земјите на ЕУ)
  - според Европската Директива 2012/19/ЕС за ослободување од електрична и електронска опрема и нејзина имплементација во согласност со националните закони, електричните алати кои го достигнале крајот на својот животен век мора да бидат собрани посебно и да бидат вратени во соодветен објект за рециклирање
  - симболот <sup>5</sup> ќе ве потсетува на ова кога ќе дојде време алатот да го фрлите

## ДЕКЛАРАЦИЈА ЗА УСОГЛАСЕНОСТ

### Повратна пила 4900

#### Технички податоци <sup>1</sup>

- Со целосна одговорност изјавуваме дека производот опишан кај "Технички податоци" е усогласен со следните стандарди или документи за стандардизација: EN 60745, EN 61000, EN 55014 во согласност со одредбите во директивите 2004/108/EG (до 19.04.2016), 2014/30/EU (од 20.04.16), 2006/42/EG, 2011/65/EU
- **Техничко досие во:** SKIL Europe BV (PT-SEU/ENG1), 4825 BD Breda, NL

Marijn van der Hoofden  
Operations & Engineering

Olaf Dijkgraaf  
Approval Manager

SKIL Europe BV, 4825 BD Breda, NL

12.03.2015

### БУЧАВА/ВИБРАЦИИ

- Мерено во согласност со EN 60745 нивото на звучен притисок е 90 dB(A) а нивото на звучна моќност 101 dB(A) (стандардно отстапување: 3 dB), и вибрација \*  $m/c^2$  (векторски збир на трите показатели; несигурност  $K = 1.5 m/c^2$ )
  - \* при сечење иверка 12,1  $m/c^2$
  - \* при сечење дрвени греди 12,2  $m/c^2$
- Нивото на емитување на вибрации кое е наведено на задниот дел на ова упатство е измерено во согласност со стандардизираниот тест даден во EN 60745; може да се користи за да се спореди еден алат со друг, и како првична оценка за изложеноста на вибрации кога се користи алатот за споменатите примени
  - користењето на алатот за разни примени, или со различни или неправилно чувани делови, може да доведе до значајно **зголемување** на нивото на изложеност
  - кога алатот е исклучен или кога алатот е вклучен но не врши некаква работа, може да дојде до значително **намалување** на нивото а изложеност



! заштитете се од ефектите на вибрациите преку одржување на алатот и неговите делови, одржување на топлината во вашите раце, и организирање на вашата работа

AL

## Sharrë sege alternative 4900

### HYRJJE

- Kjo pajisje është e projektuar për prerjen e drurit, plastikës, metaleve dhe materialeve të ndërtimit si dhe për krasitje dhe krasitjen e pemëve; ajo është e përshtatshme për prerje të drejta dhe me hark
- Kjo vegël nuk është e projektuar për përdorim profesional
- Lexoni dhe ruani këtë manual të përdorimit ③

### TË DHËNAT TEKNIKE ①

#### ELEMENTET E PAJISJES ②

- A Çelësi i ndezjes/fikjes
- B Treguesi i "Ndezjes"
- C Butoni i zgjedhjes së shpejtësisë
- D Kapësja e lamës
- E Pllaka mbështetëse e rregullueshme
- F Ndarja e mbajtjes së lamës
- G Doreza
- H Kapësja e grykës
- J Të çarat e ajrosjes
- K Bulonat i shtrengimit
- L Vida e mbajtjes së lamës

### SIGURIA

#### UDHËZIMET E PËRGJITHSHME PËR SIGURINË

**⚠ PARALAJMËRIM!** Lexoni të gjitha paralajmërimet e sigurisë dhe të gjitha udhëzimet. Mosrespektimi i paralajmërimeve dhe udhëzimeve mund të rezultojë në goditje elektrike, zjarr dhe/ose dëmtime të rënda. **Ruani të gjitha paralajmërimet dhe udhëzimet për referencë në të ardhmen.** Termi "pajisje elektrike" në paralajmërimi i referohet pajisjes elektrike që përdoret nga priza (me kablo) ose pajisjes elektrike me bateri (pa kablo).

#### 1) SIGURIA E ZONËS SË PUNËS

- a) **Mbajeni zonën e punës të pastër dhe të ndriçuar mirë.** Zonat e çrregullta ose të errëta janë një ftesë për aksidente.
- b) **Mos i përdorni pajisjet elektrike në situata me mundësi shpërthimi, si në prani të lëngjeve, gazeve ose pluhurave të djegshëm.** Pajisjet elektrike shkaktojnë shkëndija që mund të ndezin pluhurat ose avujt.
- c) **Mbajini fëmijët dhe personat e tjerë larg gjatë përdorimit të veglës së punës.** Tërheqja e vëmendjes mund të shkaktojë humbjen e kontrollit.

#### 2) SIGURIA ELEKTRIKE

- a) **Spinat e veglës së punës duhet të përputhen me prizën. Mos modifikoni kurrë spinën në asnjë**

mënyrë. Mos përdorni asnjë spinë përshtatëse me veglat e punës me tokëzim. Spinat e pamodifikuara dhe prizat përshtatëse do të zvogëlojnë rrezikun e goditjes elektrike.

- b) **Shmangni kontaktin trupor me sipërfaqe të tokëzuara si tuba, radiatorë, soba dhe frigoriferë.** Ka një rrezik më të madh të goditjeve elektrike nëse trupi është i tokëzuar.
  - c) **Mos ekspozoni veglat e punës në shi ose në kushte me lagështi.** Uji që hyn në veglën e punës do të rritë rrezikun e goditjes elektrike.
  - d) **Mos abuzoni me kordonin. Mos e përdorni kurrë kordonin për transportin, tërheqjen ose heqjen e spinës së veglës së punës. Mbajeni kordonin larg nga nxehtësia, vaji, anë e mprehta ose pjesët që lëvizin.** Kordonët e dëmtuar ose e bllokuar rrisin rrezikun e goditjes elektrike.
  - e) **Kur përdorni një vegël pune në mjedise të jashtme, përdorni një kordon zgjatues të përshtatshëm për përdorim në mjedise të jashtme.** Përdorimi i një kordoni të përshtatshëm për përdorime në mjedise të jashtme zvogëlon rrezikun e goditjes elektrike.
  - f) **Nëse përdorimi i veglës së punës në një vend me lagështi është i pashmangshëm, përdorni një automat qarku me shkarkesë me tokëzim.** Përdorimi i një automati me shkarkesë me tokëzim zvogëlon rrezikun e goditjes elektrike.
- #### 3) SIGURIA PERSONALE
- a) **Qëndroni në gatishmëri, shikoni se çfarë po bëni dhe përdorni gjykimin kur përdorni një vegël pune. Mos e përdorni një vegël pune kur jeni i lodhur ose nën ndikimin e ilaçeve, alkoolit ose mjekimit.** Një moment humbjeje e vëmendjes gjatë përdorimit të veglave të punës mund të shkaktojë dëmtime të rënda personale.
  - b) **Përdorni pajisje personale mbrojtëse. Mbani gjithmonë pajisje për mbrojtjen e syve.** Pajisjet mbrojtëse si maska kundër pluhurit, këpucët që nuk rrëshqasin, kaskat ose pajisjet për mbrojtjen e veshëve për kushtet përkatëse do të zvogëlojnë dëmtimet personale.
  - c) **Parandaloni ndezjen e rastësishme. Sigurohuni që çelësi është në pozicionin fikur para se të lidhni burimin e energjisë dhe/ose baterinë, para se të merrni ose të transportoni pajisjen.** Transportimi i veglave të punës me gishtin në çelës ose aktivizimi i veglave të punës që kanë çelësin të ndezur është një ftesë për aksidente.
  - d) **Hiqni çdo çelës ose çelës përshtatës para ndezjes së veglës së punës.** Një çelës i lënë i lidhur me një pjesë rrotulluese të veglës së punës mund të shkaktojë dëmtime personale.
  - e) **Mos u zgjasni. Mbani një vendosje të mirë të këmbëve dhe një ekuilibër të mirë në çdo moment.** Kjo gjë bën të mundur një kontroll më të mirë të veglës së punës në situata të papritura.
  - f) **Vishuni në mënyrën e duhur. Mos vishni veshje të gjera ose bizhuteri. Mbani flokët, veshjet dhe dorashkat larg nga pjesët lëvizëse.** Veshjet e gjera, bizhuteritë ose flokët e gjatë mund të kapen nga pjesët në lëvizje.
  - g) **Nëse janë ofruar pajisje për lidhjen e pajisjeve të mbledhjes dhe nxjerrjes së pluhurave, sigurohuni**

që ato të jenë të lidhura dhe të përdoren si duhet. Përdorimi i mbledhjes së pluhurave mund të zvogëlojë rreziqet në lidhje me pluhurat.

#### 4) PËRDORIMI DHE KUJDESI PËR VEGLËN E PUNËS

- a) **Mos ushtroni forcë mbi veglën e punës. Përdorni veglën e punës të duhur për përdorimin tuaj.** Vegla e punës e duhur do të realizojë një punë më të mirë dhe më të sigurt dhe me shpejtësinë që ajo është e projektuar.
- b) **Mos përdorni veglën e punës nëse çelësi nuk e ndez apo e fik.** Çdo vegël pune që nuk mund të kontrollohet me anë të çelësit është e rrezikshme dhe duhet të riparohet.
- c) **Shkëputni spinën nga burimi i energjisë dhe/ose baterinë nga vegla e punës para se të bëni rregullime të tjera, të ndryshoni aksesoret ose të ruani veglat e punës.** Këto masa parandaluese të sigurisë ulin rrezikun e ndezjes aksidentale të veglës së punës.
- d) **Mbani veglat e punës larg fëmijëve dhe mos lejoni personat e pamësuar me veglën e punës ose këto udhëzime për përdorimin e pajisjes.** Veglat e punës janë të rrezikshme në duart e përdoruesve të patrajnuar.
- e) **Mirëmbani veglat e punës. Kontrolloni për mospërshatje ose bllokim të pjesëve lëvizëse, thyerje të pjesëve dhe gjendje të tjera që mund të ndikojnë në funksionimin e veglës së punës.** Nëse dëmtohet, riparoheni veglën e punës para përdorimit. Shumë aksidente shkaktohen nga veglat e punës jo të mirëmbajtura si duhet.
- f) **Mbajini pajisjet prerëse të pastra dhe të mprehta.** Pajisjet e prerjes të mirëmbajtura dhe me anë të mprehta kanë më pak mundësi për t'u bllokuar dhe janë më të lehta për t'u kontrolluar.
- g) **Përdorni veglat e punës, aksesoret dhe puntot, etj. në përputhje me këto udhëzime, duke marrë parasysh kushtet e punës dhe punën që do të kryhet.** Përdorimi i veglave për përdorime të ndryshme nga ato të përcaktuara mund të shkaktojë rreziqe.

#### 5) SHËRBIMI

- a) **Shërbimi i veglës së punës duhet të kryhet nga një person i kualifikuar për riparimet duke përdorur vetëm pjesë ndërrimi identike.** Kjo gjë do të sigurojë ruajtjen e sigurisë së veglave të punës.

### UDHËZIMET E SIGURISË PËR SHARRAT SEGE ALTERNATIVE

#### AKSESORËT

- SKIL mund të garantojë funksionimin pa probleme të veglës vetëm kur përdoren aksesoret origjinale
- Përdorni vetëm aksesorë me një shpejtësi të lejuar që përshtatet të paktën me shpejtësinë më të lartë pa ngarkesë të pajisjes

#### PARA PËRDORIMIT

- Kontrolloni gjithmonë që voltazhi i energjisë është i njëjtë me voltazhin e treguar në etiketën e veglës
- Shmangni dëmtimet që mund të shkaktohen nga vidat, gozhdët dhe elementet e tjera në materialin e punës; hiqni ato para se të filloni punën

#### SIGURIA ELEKTRIKE

- Përdorni kordonet të pahapur dhe të sigurt për zgjatime, me një kapacitet 16 amper

- **Mbajeni pajisjen nga sipërfaqet e izoluarat të kapjes kur kryeni një veprim ku pajisja prerëse mund të bjerë në kontakt me tela të fshehur ose kordonin e saj** (kontakti me një tel elektrik mund të bëjë që pjesët metalike të ekspozuara të pajisjes të transmetojnë elektricitetin dhe të shkaktojnë goditjen elektrike të përdoruesit)
- **Përdorni detektorë përkatës për të gjetur linjat e fshehura të shërbimit ose telefononi kompaninë lokale të shërbimeve për ndihmë** (kontakti me linjat elektrike mund të shkaktojë zjarr ose goditje elektrike; dëmtimi i një linje gazi mund të shkaktojë një shpërthim; shpimi i një tubi uji do të shkaktojë dëmtim të pronës ose një goditje elektrike)

#### SIGURIA PERSONALE

- Në rast të një defekti elektrik ose mekanik, fikni menjëherë pajisjen dhe hiqni spinën
- Kjo pajisje nuk duhet të përdoret nga personat nën moshën 16 vjeç
- **Mos punoni me materiale që përmbajnë asbest** (asbesti konsiderohet kancerogjen)
- **Pluhurat nga materialet si boja me plumb, disa lloje drurësh, mineralesh dhe metalesh mund të jenë të dëmshme** (kontakti ose thithja e pluhurave mund të shkaktojë reagime alergjike dhe/ose sëmundje respiratore për përdoruesin ose personat përreth); **mbani një maskë për pluhurat dhe punoni me një pajisje për heqjen e pluhurave kur mund të lidhet**
- **Disa lloje pluhurash skanë klasifikuar si kancerogjene** (si pluhuri i lisit dhe i ahut) veçanërisht në ndërthurje me lëndët shtesë për kondicionimin e drurit; **mbani një maskë për pluhurat dhe punoni me një pajisje për heqjen e pluhurave kur mund të lidhet**
- Respektoni kërkesat kombëtare në lidhje me pluhurat për materialet me të cilat dëshironi të punoni
- **Mbajini duart larg nga zona e prerjes dhe lama; mbajeni dorën tjetër në kapësen e grykës H ②** (nëse të dyja duart mbajnë sharrën, ato nuk mund të priten nga lama)
- **Mos u zgjasni poshtë materialit të punës** (afërsia e lamës me dorën tuaj është e fshehur nga këndvështrimi juaj)
- **Mos e mbani kurrë copën që po prisni në duar ose mes këmbëve** (është e rëndësishme që ta mbështesni mirë materialin për të minimizuar ekspozimin e trupit, ngeçjen e lamës ose humbjen e kontrollit)
- **Përdorni kllapa ose pajisje të tjera për të siguruar dhe mbështetur materialin e punës** (mbajtja e materialit të punës në dorë ose mbështetur në trup mund të shkaktojë humbje të kontrollit)
- **Mos përdorni lama të topitura ose të dëmtuara** (lamat e përkulura mund të thyhen me lehtësi ose të shkaktojnë goditjen e kthimit)
- **Mbajini duart larg nga pjesa mes kasës së pajisjes dhe kapëses së lamës D ②** (kapësja e lamës mund të kapë gishtat)
- **Sigurohuni që kapësja e lamës D ② të jetë e shtrëguar para se të bëni një prerje** (një kapëse e liruar mund të bëë që pajisja ose lama të rrëshqasë dhe të shkaktojë humbje të kontrollit)

- **Përdorni doreza mbrojtëse kur hiqni lamën nga pajisja** (lama e sharrës mund të jetë e nxehtë pas një përdorimi të gjatë)
  - Mbani syze mbrojtëse dhe pajisje mbrojtëse për dëgjimin
- ### SHPJEGIMI I SIMBOLEVE NË VEGJËL
- ③ Lexoni manualin e udhëzimeve para përdorimit
  - ④ Izolim i dyfishtë (nuk kërkohet tokëzim)
  - ⑤ Mos e hidhni veglën bashkë me materialet e mbetjeve familjare

## PËRDORIMI

- Ndezje/Fikje ⑥
- Kontrolli i shpejtësisë  
Me anë të rrotës C ② shpejtësia e sharrimit mund të ndryshohet nga e ulët në e lartë (6 pozicione)
- Rregullimi i shpejtësisë së sharrimit për materialin e përdorur ⑦  
**! nëse pajisja nuk funksionon me rrotën C ② në pozicionin 1, zgjidhni një shpejtësi më të lartë për sharrën dhe uleni shpejtësinë e sharrimit kur pajisja të jetë në punë**
- Montimi i lamës së sharrës ⑧  
**! hiqeni spinën**  
- shtypni përpara kapësen e lamës D dhe mbajeni në atë pozicion  
- futni lamën (me dhëmbët e drejtuar poshtë ose lart) deri në fund  
- lëshoni kapësen e lamës D  
- tërhiqeni pak lamën deri sa kapësja D të kërcasë në një pozicion të barabartë  
- shtyjeni dhe tërhiqeni lamën për të kontrolluar nëse është kapur si duhet  
**! sigurohuni që kapësja e lamës D ② të jetë e shtrënguar para se të bëni një prerje (një kapëse e liruar mund të bëë që pajisja ose lama të rrëshqasë dhe të shkaktojë humbje të kontrollit)**  
**! sigurohuni që ana para e lamës të zgjatet përtej pllakës mbështetëse E për të gjithë gjatësinë e goditjes**
- Heqja e lamës së sharrës ⑨  
- shtypni përpara kapësen e lamës D dhe mbajeni në atë pozicion  
- nxirreni lamën  
- lëshoni kapësen e lamës D
- Pllaka mbështetëse e rregullueshme ⑩  
- pllaka mbështetëse E anohet për të mbajtur sa më shumë sipërfaqen e saj në kontakt me materialin e punës  
- rregulloni pllakën mbështetëse duke e mbajtur sharrën fort dhe duke e kthyer pllakën mbështetëse në pozicionin e dëshiruar
- Ndarja e mbajtjes së lamës ⑪  
- sigurohuni që ndarja e mbajtjes F të jetë e mbyllur për të parandaluar rënien e lamave
- Funksionimi i veglës  
**! shtrëngoni mirë materialin e punës**  
- shënoni vijën e prerjes mbi materialin e punës  
- zgjidhni shpejtësinë e dëshiruar të sharrimit me anë të rrotës C ②  
- lidhni spinën me burimin e energjisë (drita B do të ndizet duke treguar se vegla po merr energji) ⑫

- mbajeni pajisjen me një dorë mbi dorezë G ② dhe tjetrën mbi kapësen e izoluar të grykës H ②
- ndizni veglën
- ! pajisja duhet të arrijë shpejtësinë e plotë para se lama të hyjë në materialin e punës**
- drejtojeni pajisjen përgjatë vijës së shënuar të prerjes
- mbajeni pllakën mbështetëse E ② fort mbi materialin e punës për të minimizuar forcën kundërshtuese dhe dridhjen
- Mbatja dhe drejtimi i veglës  
**! gjatë punës, mbajeni gjithmonë veglën në zonën(at) e dorezës me ngjyrë gri ⑬**  
- mbajini të çarat e ajrimit J ② të pambuluara  
- mos ushtroni shumë trysni mbi pajisje; lëroni pajisjen që të punojë për ju  
**! sigurohuni që lama e sharrës të dalë përtej materialit gjatë goditjes ⑭**
- Rregullimi i efektive sharrim thellësisë ⑮  
- përdorni të dyja bulonat i shtrëngimit K për rrëshqitjen e pllakës mbështetëse E përpara/prapa për të zmadhuar/zvogëluar efektive sharrim thellësisë  
**! mos u përipiqi të rregulloni gjatësinë efektive të goditjes me vidë L, e cila është e caktuar paraprakisht në momentin e prodhimit**

## KËSHILLË PËR PËRDORIMIN

- Prerja me zhytje ⑯  
Prerjet me zhytje mund të bëhen në dru dhe më materiale të tjera të buta pa shpuar paraprakisht një vrimë  
- përdorni një lamë sharre të trashë  
- montoni lamën me dhëmbët e drejtuar lart  
- mbajeni sharrën pëmbys si në ilustrim  
- shënoni vijën e dëshiruar të prerjes mbi materialin e punës  
- zgjidhni pozicionin 1, 2 ose 3 me anë të rrotës C  
- anojeni pajisjen në mënyrë që lama të mos prekë materialin e punës  
- ndizeni pajisjen dhe punoni me kujdes me lamën e sharrës në lëvizje mbi material  
- pasi lama të jetë futur në materialin e punës, vazhdoni të sharroni përgjatë vijës së shënuar të prerjes  
**! mos bëni prerje me zhytje në materiale metalike**
- Përdorni thikat e duhura për sharrën ⑰
- Kur prisni metale, lubrifikojeni thikën e sharrës rregullisht me vaj
- Prerja pa ashkla  
- mbulojeni vijën e prerjes me disa shtresa ngjitës të gjërë para prerjes  
- vendoseni gjithmonë poshtë anën e mirë të materialit të punës
- Për më shumë këshilla, vizitoni [www.skil.com](http://www.skil.com)


## MIRËMBAJTJA / SHËRBIMI

- Kjo vegël nuk është e projektuar për përdorim profesional
- Mbajeni gjithmonë veglën dhe kordonin të pastër (veçanërisht të çarat e ajrosjes J ②)  
**! shkëputni spinën para pastrimit**
- Nëse pajisja ka defekt pavarësisht kujdesit në prodhim dhe procedurat e provave, riparimi duhet të kryhet nga një qendër e shërbimit pas shitjes për veglat e punës të SKIL

- dërgoni veglën të çmontuar së bashku me vërtetimin e blerjes të shitësi ose të qendra më e afërt e shërbimit e SKIL (adresat si dhe diagrami i shërbimit i veglës janë të paraqitura në www.skil.com)

**! mbroni veten nga efektet e vibrimit duke mirëmbajtur pajisjen dhe aksesorët e saj, duke i mbajtur duart e ngrohta dhe duke organizuar mënyrën tuaj të punës**

## MJEDISI

- **Mos i hidhni veglat elektrike, aksesorët dhe paketimin së bashku me materialet e mbeturinave familjare** (vetëm për vendet e BE-së)
  - në respektim të Direktivës evropiane 2012/19/EC për pajisjet elektrike dhe elektronike si mbetje dhe zbatimin e saj në përputhje me ligjet kombëtare, pajisjet elektrike që kanë arritur në fund të jetëgjatësisë së tyre duhet të mblidhen të ndara dhe të kthehen në një objekt riciklimi në përputhje me mjedisin.
  - simboli  do t'ju kujtojë për këtë gjë kur të jetë nevoja për t'i hedhur

## DEKLARATA E KONFORMITETIT CE

### Sharrë sege alternative 4900

#### Të dhënat teknike <sup>①</sup>

- Ne deklarojmë me përgjegjësinë tonë të vetme se ky produkt i përshkruar në "Të dhënat teknike" është në përputhje me standardet ose dokumentet e standardizimit si më poshtë: EN 60745, EN 61000, EN 55014 në përputhje me dispozitat e direktivave 2004/108/EC (deri 19.04.2016), 2014/30/EU (nga 20.04.2016), 2006/42/EC, 2011/65/EU
- **Dosja teknike në:** SKIL Europe BV (PT-SEU/ENG1), 4825 BD Breda, Holandë

Marijn van der Hoofden  
Operations & Engineering

Olaf Dijkgraaf  
Approval Manager

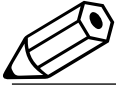



SKIL Europe BV, 4825 BD Breda, NL

12.03.2015

## ZHURMA/VIBRIMI

- E matur në përputhje me EN 60745, niveli i trysnisë së tingullit i kësaj pajisje është 90 dB(A) dhe niveli i fuqisë së tingullit 101 dB(A) (shmangia standarde: 3 dB) dhe vibrimi \*  $m/s^2$  (shuma vektor i tre drejtime; pasiguria K = 1,5  $m/s^2$ )
  - \* kur prisni panel me ashkla druri 12,1  $m/s^2$
  - \* kur prisni trarë druri 12,2  $m/s^2$
- Niveli i emetimit të vibrimit është matur në përputhje me një provë të standardizuar të dhënë në EN 60745; ajo mund të përdoret për të krahasuar një vegël me një tjetër dhe si një vlerësim paraprak i ekspozimit ndaj vibrimit kur përdorni pajisjen për proceset e përmendura
  - përdorimi i pajisjes për procese të ndryshme, ose me aksesorë të ndryshëm dhe të mirëmbajtur keq, mund të rritë ndjeshëm nivelin e ekspozimit
  - kohët kur pajisja është e fikur dhe kur është e ndezur por jo në punë, mund të zvogëlojnë ndjeshëm nivelin e ekspozimit



• ما بر اساس مسئولیت انحصاری خود اعلام می نمایم که محصول شرح داده شده در قسمت «اطلاعات فنی» با استانداردها یا مستندات استاندارد شده زیر سازگاری و تطابق دارد EN 10745 : EN 11000 : EN 55014 . مطابق با مفاد مصوبات ( EN 10745 تا ( EN 10745, EN 10745, EN 10745 از 2004/11/EC تا 2006/11/EC

• پرونده فنی در SKIL Europe BV (PT-SEU/ENG), 4825 BD Breda, NL :  
 Marijn van der Hoofden Operations & Engineering  
 Olaf Dijkgraaf Approval Manager

SKIL Europe BV, 4825 BD Breda, NL

12.03.2015

#### صدور ارتعاشات

- اندازه گیری ها بر اساس استاندارد EN 10745 انجام و مشخص شد که میزان فشار صوتی این ابزار 90 دسی بل و میزان توان صوتی آن 101 دسی بل (با انحراف استاندارد 3 : دسی بل)، و میزان ارتعاشات \* می باشد (جمع بردارهای سه جهت K = 1,5 متر/مجدور ثانیه)  
 \* هنگام برش تخته 12,1 متر/مجدور ثانیه  
 \* هنگام برش تیرهای چوبی 12,2 متر/مجدور ثانیه
- میزان انتشار ارتعاشات بر اساس تست استاندارد شده ای که در EN 10745 معرفی شده است اندازه گیری گردید. از این ارقام می توان برای مقایسه یک ابزار با دیگری و بعنوان ارزیابی اولیه در معرض قرارگیری ارتعاشات هنگام کار با ابزار در کاربری های فوق استفاده کرد
- استفاده کردن از ابزار برای کاربردهای متفاوت. یا با لوازم و متعلقات متفاوتی که بد نگهداری شده اند. می تواند میزان در معرض قرارگیری را بطور قابل ملاحظه ای افزایش دهد
- مواقعی که ابزار خاموش است یا روشن است ولی کاری با آن انجام نمی شود. میزان در معرض قرارگیری بطور قابل توجهی کاهش می یابد
- ! با نگهداری مناسب از ابزار و لوازم و متعلقات آن، گرم نگهداشتن دست های خود، و سازمان دهی طرح های کاری می توانید خود را در برابر اثرات ارتعاش محافظت کنید

- از تیغه های کند یا آسیب دیده استفاده نکنید (تیغه های خم شده به آسان می شکنند و یا باعث پس زدن ابزار خواهند شد)
- دستهای خود را از ناحیه میان بدنه ابزار و ضامن تیغه دور نگه دارید (1)
- (امکان دارد انگشتان شما به ضامن تیغه گیر کنند)
- اطمینان حاصل کنید که ضامن تیغه D (2) پیش از اجرای برش محکم شده باشد (ضامن تیغه در صورت شل بودن باعث لغزیدن ابزار یا تیغه شده و در نتیجه کنترل کار از دست شما خارج خواهد شد)
- هنگام باز کردن تیغه از ابزار، از دستکش محافظ استفاده کنید (تیغه آره بعد از استفاده طولانی ممکن است داغ باشد)
- از عینک محافظ و محافظ گوش استفاده کنید
- شرح علائم و نمادهای روی ابزار
- (3) پیش از کار حتماً دفترچه راهنما را مطالعه کنید
- (4) عایق دوگانه (نیازی به سیم اتصال به زمین - ارت نیست)
- (5) ابزار را همراه زباله های خنگی دور نیندازید

## استفاده

- روشن/خاموش (1)
- کنترل دور
- با کلید الکترونیک C (2) می توان سرعت برش را از کم به زیاد تنظیم کرد (1) وضعیت
- تنظیم سرعت آره کاری بر اساس جنس قطعه کاری (3)
- اگر ابزار زمانی که کلید الکترونیک C (2) در وضعیت 1 است کار می کند، سرعت آره کاری را بالاتر انتخاب کرده و سرعت آره کاری را موقعی که ابزار به کار افتاد کم کنید
- سوار کردن تیغه آره (4)
- سیم برق را از برق جدا کنید/بکشید
- ضامن تیغه D را به جلو فشار داده و در همان وضعیت نگه دارید
- تیغه را (در حالی که نداننده های آن به پایین یا بالا قرار گرفته اند) تا آخر در جای خود قرار دهید
- ضامن تیغه را رها کنید D
- تیغه را مقداری بیرون بکشید تا ضامن D در جای خود محکم شده و کلید کند
- تیغه را بیرون کشیده و به داخل فشار دهید تا مطمئن شوید بدرستی در جای خود قفل شده باشد
- اطمینان حاصل کنید که ضامن تیغه D (1) پیش از اجرای برش محکم شده باشد (ضامن تیغه در صورت شل بودن باعث لغزیدن ابزار یا تیغه شده و در نتیجه کنترل کار از دست شما خارج خواهد شد)
- اطمینان حاصل کنید که انتهای جلوی تیغه به اندازه طول کامل کورس از پایه E کار جلوتر آمده باشد
- برداشتن تیغه آره (4)
- ضامن تیغه D را به جلو فشار داده و در همان وضعیت نگه دارید
- تیغه را بیرون بکشید
- ضامن تیغه را رها کنید D
- پایه کار قابل تنظیم (5)
- پایه کار E برای اینکه حداکثر تماس سطحی را با قطعه کاری داشته باشد، کج می شود
- برای تنظیم پایه کار، آره را محکم گرفته و پایه کار را بچرخانید تا به وضعیت دلخواه برسید
- محفظه نگهداری تیغه (6)
- برای جلوگیری از بیرون افتادن تیغه ها، اطمینان حاصل کنید که محفظه نگهداری F بسته باشد
- کار کردن با ابزار
- قطعه کاری را در گیره قرار داده و محکم کنید
- خط برش را روی قطعه کاری علامت بزنید
- سرعت آره کاری دلخواه را با کلید الکترونیک C (2) انتخاب کنید
- دوشاخه را بر برق وصل کنید (چراغ B روشن شده و نشان می دهد که ابزار تغذیه می شود) (7)
- ابزار را باید یک دست روی دسته G (2) و دست دیگر روی جای دسته عایق شده (1) H بگیرد
- ابزار را روشن کنید
- اول اجازه دهید ابزار به دور کامل خود برسد و بعد تیغه را وارد قطعه کار کنید

- ابزار را روی خط برش علامت گذاری شده هدایت کنید
- پایه کار E (1) را محکم روی قطعه کاری بگیرید تا نیروی واکنشی و ارتعاشات به حداقل ممکن کاهش داده شوند
- نگهداشتن و هدایت ابزار
- هنگام کار باید همیشه ابزار را از دستگیره (های) خاکستری رنگ بگیرید (8)
- شیارهای تهویه L (1) را مسدود نکنید
- فشار بیش از حد به ابزار وارد نکنید؛ بگذارید ابزار به جای شما کار کند
- اطمینان حاصل کنید که تیغه آره در طول کورس از قطعه کاری جلوتر برود (9)
- تنظیم عمق موثر آره کاری (10)
- برای کم/زیاد کردن عمق موثر آره کاری از هر دو پیچ محکم کننده K برای جلو/عقب کشیدن پایه کار E استفاده کنید
- سعی نکنید طول کورس موثر را با پیچ A که در کارخانه پیش تنظیم شده است، تنظیم کنید

## توصیه های کاربردی

- برش عمیق (11)
- شما می توانید بدون نیاز به سوراخ کردن اولیه در چوب و سایر مواد نرم برش عمیق بزنید
- از یک تیغه آره ضخیم استفاده کنید
- تیغه را در حالی که نداننده های آن رو به بالا قرار دارند سوار کنید
- آره را مطابق شکل بصورت برعکس بگیرید
- خط برش مورد نظر را روی قطعه کاری علامت بزنید
- با کلید الکترونیک C یکی از وضعیت های 1، 2 یا 3 را انتخاب کنید
- ابزار را کج کنید تا تیغه با قطعه کاری تماس نداشته باشد
- ابزار را روشن کرده و با دقت تیغه آره در حال حرکت را به قطعه کاری نزدیک کنید
- بعد از اینکه تیغه وارد قطعه کاری شد به برش زدن در طول خط برش علامت گذاری شده ادامه دهید
- در اجسام و مواد فلزی برش عمیق بزنید
- از تیغه آره های مناسب استفاده کنید (12)
- هنگام برش فلزات، تیغه آره را مرتباً روشن کاری کنید
- برش بدون ترانه
- خط برش را پیش از شروع برش با چند لایه چسب پهن بپوشانید
- همیشه طرف خوب قطعه کاری را به سمت پایین قرار دهید
- برای نکات بیشتر به [www.skil.com](http://www.skil.com) مراجعه کنید

## نگهداری / سرویس - خدمات

- این ابزار برای مصارف حرفه ای مناسب نیست
- همیشه ابزار و سیم برق را تمیز نگهدارید (بخصوص شیارهای تهویه L (1))
- پیش از تمیز کردن سیم برق را از برق بکشید
- اگر ابزار علیرغم تمام دقت و مراقبتی که در فرایندهای تولید و تست بکار برده شده از کار افتاد، تعمیرات باید فقط در مراکز خدمات پس از فروش ابزارهای برقی SKIL انجام شود
- ابزار را بصورت بازنشده همراه با رسید خرید به فروشنده یا نزدیک ترین مرکز خدمات پس از فروش SKIL بفرستید (آدرسها به همراه نمودار نقشه های سرویس ابزار در [www.skil.com](http://www.skil.com) موجود است)

## محیط زیست

- ابزارهای برقی، لوازم و متعلقات و بسته بندی آنها را نباید همراه با زباله های عادی خانگی دور انداخت (فقط مخصوص کشورهای عضو اتحادیه اروپا)
- با توجه به مصوبه اروپایی 2012/19/EC، اروپا درباره لوازم برقی و الکترونیکی مستعمل و اجرای این مصوبه مطابق با قوانین کشوری، ابزارهای برقی که به پایان عمر مفید خود رسیده اند باید جداگانه جمع آوری شده و به یک مرکز بازیافت مناسب و سازگار با محیط زیست انتقال یابند
- بازماندهات (5) یادآور این مسئله در هنگام دور انداختن است

## اعلامیه مبنی بر رعایت استانداردها CE

آره رقت و برگشتی ۰۰۹۴

اطلاعات فنی (1)

ت) دستگاه را از باران و رطوبت دور نگهدارید. نفوذ آب به ابزار الکتریکی. خطر شوک الکتریکی را افزایش می دهد.

ث) از سیم به درستی استفاده کنید. از سیم دستگاه برای کارهایی چون حمل ابزار الکتریکی. ابزار کردن آن و یا خارج کردن دوشاخه از برق استفاده نکنید. دستگاه را در مقابل حرارت، روغن، لبه های تیز و بخش های متحرک الکتریکی دور نگهدارید. کابل های آسیب دیده یا گرگ خورده خطر شوک الکتریکی را افزایش می دهند.

ج) در صورتیکه با ابزار الکتریکی در محیط باز کار می کنید. تنها از کابل را بطی استفاده کنید که برای محیط باز نیز مناسب باشد. کابل های رابط مناسب برای محیط باز. خطر برق گرفتگی را کم می کنند.

ح) در صورت لزوم کار با ابزار الکتریکی در محیط و اماکن مرطوب. در اینصورت باید از یک کلید حفاظتی جریان خطا و نشستی زمین (کلید قطع کننده اتصال با زمین) استفاده کنید. استفاده از کلید حفاظتی جریان خطا و نشستی زمین خطر برق گرفتگی را کمتر می کند.

۳) رعایت ایمنی اشخاص  
۱) حواس خود را خوب جمع کنید. به کار خود دقت کنید و با فکر و هوش کامل با ابزار الکتریکی کار کنید. در صورت خستگی و یا در صورتیکه مواد مخدر، الکل و دارو استفاده کرده اید. با ابزار الکتریکی کار نکنید. یک خطه بی توجهی هنگام کار با ابزار الکتریکی. می تواند جراحات های شدیدی به همراه داشته باشد.

ب) همواره از تجهیزات ایمنی شخصی استفاده کنید. همواره از عینک ایمنی استفاده کنید. استفاده از تجهیزات ایمنی مانند ماسک ایمنی. کفش های ایمنی ضد لغزش. کلاه ایمنی و گوشی ایمنی متناسب با نوع کار با ابزار الکتریکی. خطر مجروح شدن را تقلیل می دهد.

ت) مواظب باشید که ابزار الکتریکی بطور ناخواسته بکار نیفتد. قبل از وارد کردن دوشاخه دستگاه در پریز برق. اتصال آن به باطری. پرواضن آن و یا حمل دستگاه. باید دقت کنید که ابزار الکتریکی خاموش باشد. در صورتیکه هنگام حمل دستگاه انگشت شما روی دکمه قطع و وصل باشد و یا دستگاه را در حالت روشن به برق بزنید. ممکن است سوانح کاری پیش آید.

ث) قبل از روشن کردن ابزار الکتریکی. باید همه ابزار های تنظیم کننده و آچار ها را از روی دستگاه بردارید. ابزارو آچارهایی که روی بخش های چرخنده دستگاه قرار دارند. می توانند باعث ایجاد جراحات شوند.

ج) پیش از کار کردن خود را همواره حفظ کنید. به این ترتیب می توانید ابزار الکتریکی را در وضعیت های غیر منظره بهتر تحت کنترل داشته باشید.

ح) لباس مناسب بپوشید. از پوشیدن لباس های فراخ و حمل زینت آلات خود داری کنید. موها. لباس و دستکش ها را از بخش های درحال چرخش دستگاه دور نگهدارید. لباس های فراخ موی بلند و زینت آلات ممکن است در قسمت های درحال چرخش دستگاه گیر کنند.

خ) در صورتیکه می توانید وسایل مکش گرد و غبار و یا وسیله جذب زائده را به دستگاه نصب کنید. باید مطمئن شوید که این وسایل نصب و درست استفاده می شوند. استفاده از وسایل مکش گرد و غبار مصونیت شما را در برابر گرد و غبار زیاد تر می کند.

۴) استفاده صحیح از ابزار الکتریکی و مراقبت از آن  
۱) از وارد کردن فشار زیاد روی دستگاه خود داری کنید. برای هر کاری. از ابزار الکتریکی مناسب با آن استفاده کنید. بکار گرفتن ابزار الکتریکی مناسب باعث می شود که بتوانید از توان دستگاه بهتر و با اطمینان بیشتر استفاده کنید.

ب) در صورت ایراد در کلید قطع و وصل ابزار برقی. از دستگاه استفاده نکنید. ابزار الکتریکی که نمی توان آنها را قطع و وصل کرد. خطرناک بوده و باید تعمیر شوند.  
ت) قبل از تنظیم ابزار الکتریکی. تعویض متعلقات و کنار گذاشتن آن. دوشاخه را از برق کشید و یا باطری آنرا خارج کنید. رعایت این اقدامات پیشگیری ایمنی از راه افتادن ناخواسته ابزار الکتریکی جلوگیری می کند.

ث) ابزار الکتریکی را در صورت عدم استفاده. از دسترس کودکان دور نگهدارید. اجازه ندهید که افراد نا وارد و یا شخصیه که این دفتر چه راهنما را نخوانده اند. با این دستگاه کار کنند. قرار گرفتن ابزار الکتریکی در دست افراد ناوارد و بی تجربه خطرناک است.

ج) از ابزار الکتریکی خوب مراقبت کنید. مواظب باشید که قسمت های متحرک دستگاه خوب کار کرده و گیر نکنند. همچنین دقت کنید که قطعات ابزار الکتریکی شکسته و یا آسیب دیده نباشند. قطعات آسیب دیده را قبل از شروع به کار تعمیر کنید. علت بسیاری از سوانح کاری. عدم مراقبت کامل از ابزارهای الکتریکی می باشد.

ح) ابزار برش را تمیز و تمیز نگهدارید. ابزار برشی که خوب مراقبت شده و از لبه های تیز برخوردارند. کمتر در قطعه کار گیر کرده و بهتر قابل هدایت می باشند.

خ) ابزارهای الکتریکی. متعلقات. ابزار که روی دستگاه نصب می شوند و غیره را مطابق دستورات این جزوه راهنما طوری به کار بگیرید که با مدل این دستگاه تناسب داشته باشند. همچنین به شرایط کاری و نوع کار توجه کنید. کاربرد ابزار برقی برای موارد کاری که برای آن در نظر گرفته نشده است. می تواند شرایط خطرناکی را منجر شود.

۵) سرویس  
۱) برای تعمیر ابزار الکتریکی فقط به متخصصین حرفه ای رجوع کرده و از وسایل بدکی اصل استفاده کنید. این باعث خواهد شد که ایمنی دستگاه شما تضمین گردد.

### دستورات ایمنی برای ازه های رفت و برگشتی

#### متعلقات

- SKILL در صورتی که از متعلقات اصلی استفاده کنید عملکرد بدون مشکل ابزار را تضمین می نماید
- متعلقات باید فقط با سرعت های چرخش مجاز که معادل بالاترین سرعت بدون بار ابزار هستند به کار برده شوند

#### پیش از استفاده

- همیشه مطمئن شوید که ولتاژ ورودی دستگاه برابر ولتاژی باشد که روی پلاک دستگاه نوشته شده است
- پیچ ها میخ ها و سایر اجزا دیگر می توانند به قطعه کاری شما آسیب بزنند؛ بنابراین پیش از شروع کار آنها را بردارید

#### ایمنی الکتریکی

- سیم های رابط برق باید کاملاً باز شده و ایمن باشند. از سیم هایی با رده بندی ۱۱ آمپر
- اگر از ابزار برش در مواردی استفاده می کنید که امکان دارد با سیم های پنهان شده یا سیم خود ابزار تماس پیدا کند. حتماً باید ابزار را از جای دسته های مخصوص عایق شده بگیرید (تاس یا سیم های «بارق دار» می تواند در بخش های فلزی آشکار ابزار نیز جریان برق تولید کرده و برق گرفتگی در کاربر ایجاد کند) برای پیدا کردن سیم و لبه های پنهان از دستگاه های دستگیر مناسب استفاده کرده یا با شرکت های آب و برق و گاز محلی تماس گرفته و از آنها کمک بخواهید (تاس یا سیم های برق موجب آتش سوزی و برق گرفتگی می شود. آسیب رساندن به لبه های گاز سیب انفجار می شود. سوراخ کردن لبه های آب به ساختمان آسیب رسانده و موجب خطر برق گرفتگی می شود)

#### رعایت ایمنی اشخاص

- در صورت بروز اشکالات برقی یا مکانیکی. فوراً ابزار را خاموش کرده و سیم برق آنرا از پریز کشید
- افراد کمتر از ۱۶ سال نباید با این دستگاه کار کنند
- با موادی حاوی آزنیت کار نکنید (آزنیت سرطان زا است)
- گرد و خاکی که از موادی مانند رنگ های حاوی سرب. برخی گونه های چوب. مواد معدنی و فلزات بلند می شود می تواند خطرناک باشد (تاس یا این گرد و خاکها و یا نفوس آنها می تواند در کاربران ابزار یا افراد نزدیک به محل کار واکنش های حساسیتی ویا بیماری های تنفسی ایجاد کند؛ یک ماسک مخصوص گرد و خاک بزنید و در صورت امکان از یک وسیله مکش گرد و خاک استفاده کنید
- برخی از گرد و خاکها (مانند گرد و خاکی که از چوب بلوط یا راش بلند می شود) علی الخصوص در مجاورت افزودنی های مخصوص چوب. سرطان زا هستند؛ یک ماسک مخصوص گرد و خاک بزنید و در صورت امکان از یک وسیله مکش گرد و خاک استفاده کنید
- از مقررات ملی مربوط به گرد و خاک موادی که می خواهید با آنها کار کنید پیروی نمایید
- دستگاهی خود را از ناحیه برش و تیغه دور نگه دارید؛ دست دیگر خود را روی جای دست نگه دارید H ① (اگر رها را به هر دو دست بگیرید امکان بریده شدن دستهای شما با تیغه وجود نخواهد داشت)
- سعی نکنید دست خود را به زیر قطعه کاری ببرید (میزان نزدیکی تیغه به دست از دید شما پنهان است)
- هرگز قطعه مورد برش را با دست یا میان پاهای خود نگهید (برای اینکه میزان قرار گرفتن دست شما در برابر ابزار. گیر کردن تیغه و یا از دست دادن کنترل به حداقل برسد. بسیاری مهم است که قطعه کار را بطور ناهنگ دارید)
- برای محکم کردن قطعه کاری بطور ایمن از گیره یا ابزار مشابه استفاده کنید (اگر قطعه کاری را با دست نگه دارید یا به بدن خود تکیه دهید. امکان دارد کنترل کار را از دست بدهید)



- بعد أن يخترق النصل قطعة العمل، يستمر نشر القطعة على امتداد خط القطع اللعلم:
- ! لا تقم بإجراء قطوعات غطس في المواد المعدنية:
- استخدم أنصال النشر الملائمة (٧):
- عند قطع المعدن، قم بتزليق نصل المنشار بانتظام بالزيت:
- قطع بدون تشطي
- قم بتغطية خط القطع بعدة طبقات من شريط عريض قبل القيام بعملية القطع:
- قم دائماً بتوجيه الجانب الجيد من قطعة العمل إلى أسفل:
- لمزيد من النصائح زر موقعنا [www.skil.com](http://www.skil.com)

FA

٤٩٠٠

## اره رفت و برگشتی

### مقدمه

- این ابزار برای بریدن چوب، پلاستیک، فلزات و مصالح ساختمانی و نیز هرس کاری و کوتاه کردن شاخه درختان طراحی شده است؛ این ابزار برای اجرای برش های مستقیم و منحنی مناسب است
- این ابزار برای مصارف حرفه ای مناسب نیست
- لطفاً از این دفترچه راهنما را مطالعه کرده و نگهدارید (٢)

### اطلاعات فنی (١)

#### اجزای ابزار (٢)

- A کلید روشن/خاموش
- B نشانگر "روشن"
- C گردنده انتخاب سرعت
- D ضامن تیغه
- E پایه کار قابل تنظیم
- F محفظه نگهداری تیغه
- G دسته
- H جای دست
- J شیارهای تهویه
- K پیچ های محکم کننده
- L پیچ نگهدارنده تیغه

#### ایمنی

##### راهنمای ایمنی عمومی

**⚠ هشدار!** همه دستورات ایمنی و راهنمایی ها را بخوانید. احتیاطات ناشی از عدم رعایت این دستورات ایمنی ممکن است باعث برق گرفتگی، سوختگی و یا سایر جراحت های شدید شود. همه هشدارهای ایمنی و راهنمایی ها را برای آشنایی خوب نگهداری کنید. درج این راهنما از "ابزار الکتریکی" صحبت میشود. منظور ابزارهای الکتریکی (باسیم برق) و یا ابزارهای الکتریکی باطری دار (بدون سیم برق) می باشد.

#### (١) ایمنی محل کار

- (ا) محل کار خود را تمیز مرتب و مجهز به نور کافی نگهدارید. محیط کار نامرتب و کم نور میتواند باعث سوانح کاری شود.
- (ب) با ابزار الکتریکی در محیط هایی که در آن خطر انفجار وجود داشته و حاوی مایعات، گازها و غبارهای محترقه باشد، کار نکنید. ابزارهای الکتریکی جرقه های ایجاد می کنند که می توانند باعث آتش گرفتن گرد و بخار های موجود در هوا شوند.
- (ت) هنگام کار با ابزار الکتریکی، کودکان و سایر افراد را از دستگاه دور نگهدارید. در صورتیکه حواس شما پرت شود، ممکن است کنترل دستگاه از دست شما خارج شود.
- (ث) ایمنی الکتریکی
  - (ا) دوشاخه ابزار الکتریکی باید با پریز برق تناسب داشته باشد. هیچگونه تغییری در دوشاخه ندهید. مبدل دوشاخه نباید همراه با ابزار الکتریکی دارای اتصال به زمین (ارت شده) استفاده شود. مبدل دوشاخه نباید همراه با ابزار الکتریکی دارای اتصال به زمین (ارت شده) استفاده شود.
  - (ب) از تماس بدنی با قطعات دارای سیم اتصال به زمین (ارت شده) مانند لوله، شوقاف، اجاق برقی و یخچال خود داری کنید. در صورتیکه بدن شما با سیم دارای اتصال به زمین (ارت شده) تماس پیدا کند، خطر برق گرفتگی بیشتر خواهد شد.

### الصيانة / الخدمة

- لم يتم تصميم هذه الأداة للاستخدام الاحترافي:
- احرص دائماً على نظافة الأداة والسلك (وخصوصاً فتحات التهوية ل (١):
- ! أفضل القابض قبل التنظيف
- إذا تعذر تشغيل الأداة على الرغم من الحذر الشديد في إجراءات التصنيع والاختبار، فيجب القيام بالإصلاحات بواسطة مركز خدمة ما بعد البيع لأدوات الطاقة التابع لشركة SKIL.
- قم بإرسال الأداة دون تفكيكها بالإضافة إلى إثبات الشراء إلى البائع أو أقرب محطة خدمة SKIL العنوانين بالإضافة إلى مخطط الخدمة متاحان على [www.skil.com](http://www.skil.com)

### البيئة المحيطة

- لا تتخلص من الأدوات الكهربائية والملحقات ومواد التغليف مع النفايات المنزلية (لدول الاتحاد الأوروبي فقط):
- وفقاً للتوجيه الأوروبي ٢٠١٢/١٩/EC حول نفايات المعدات الكهربائية والإلكترونية وتطبيقه بالتوافق مع القانون المحلي، يجب جمع الأدوات الكهربائية منتهية الصلاحية بشكل منفصل وإرسالها إلى أحد منشآت إعادة التصنيع التوافقية مع البيئة:
- سيذكرك الرمز (٥) بهذا عند الحاجة إلى التخلص من أية أداة:

### إعلان توافق CE

منشأ قطع ترددي ٠٠٩٤

#### البيانات الفنية (١)

- نحن نقر على مسئوليتنا الخاصة أن المنتج الموضح في "البيانات الفنية" يتوافق مع المعايير أو المستندات المعيارية التالية EN ٦٠٧٤٥: EN ٦١٠٠٠ و EN ٥٥٠١٤ و EN ٢٠١٤/٢٠/EC مع شروط التوجيهات ٢٠٠٤/١٠/EC حتى ٢٠١٦/٠٤/١٩ و EN ٢٠١٤/٢٠/EC و EN ٢٠١١/١٥/EC و EN ٢٠١٠/١٤/EC و EN ٤٠٤٠٤٠١٦ BD Breda, NL
- الملف الفني SKIL Europe BV (PT-SEU/ENG):

Marijn van der Hoofden Operations & Engineering  
Olaf Dijkgraaf Approval Manager

SKIL Europe BV, 4825 BD Breda, NL

12.03.2015

#### الضوضاء/الاهتزاز

- عند القياس بالتوافق مع EN ٦٠٧٤٥ يكون مستوى ضغط صوت هذه الأداة هو ٩٠ ديسيبل (أ) ومستوى طاقة الصوت ١٠١ ديسيبل (أ) (الانحراف المعياري ٣: ديسيبل).
- والاهتزاز \* (مجموع المنحنيات بثلاثة: K غير مؤكد ١,٥ = م/ث٢ \* عند قطع الألواح ١٢,١ م/ث٢ \* عند قطع العوارض الخشبية ١٢,٢ م/ث٢ \* ثم قياس مستوى الاهتزازات بالتوافق مع الاختبار المعياري المحدد في EN ٦٠٧٤٥: يمكن استخدامه لمقارنة أداة بأداة أخرى وكتقييم تمهيدي للتعرض للاهتزاز عند استخدام الأداة في التطبيقات الموضحة:
- قد يؤدي استخدام الأداة في تطبيقات مختلفة أو مع ملحقات مختلفة أو ذات صيانة رديئة إلى زيادة مستوى التعرض بصورة كبيرة:

## قبل الاستخدام

- تأكد دائماً من أن الفولت الزود هو نفسه المشار اليه على اللوحة الخاصة بالأداة
- تجنب التلف الذي قد تتسبب فيه البراغي والسمامير والعناصر الأخرى الموجودة في القطعة التي تعمل بها. قم بفكهم قبل بدء العمل.

## الأمّن الكهربائي

- استخدم أسلاك تمديد مفكوكة تماماً وأمنة سعة 11 أمبير (13 أمبير في بريطانيا العظمى)
- امسك الأداة باستخدام أسطح إمساك معزولة عند إجراء أية عملية قد تكون فيها أداة القطع متصلة بسلك مخفي أو بسلك الطاقة الخاص بها (التلامس مع سلك «متصل بالكهرباء» سيؤدي أيضاً إلى «وصول التيار الكهربائي» إلى الأجزاء المعدنية المكشوفة ويعرض المشغل للصدمة الكهربائية).
- استخدم كاشفات ملامثة للعثور على خط المرافق أو اطلب شركة المرافق المحلية للحصول على مساعدة (التلامس مع خطوط إمداد الكهرباء قد يؤدي إلى حدوث حريق أو صدمة كهربائية؛ وتلف خط الغاز قد يؤدي إلى حدوث انفجار؛ واختراق أنابيب المياه سيتسبب في حدوث ضرر في الممتلكات أو صدمة كهربائية).

## أمّن الأشخاص

- في حالة حدوث خلل كهربائي أو ميكانيكي. أوقف تشغيل الأداة فوراً وافصل القابض.
- لا يجب استخدام هذه الأداة من قبل الأشخاص الأقل من 16 عام.
- لا تعمل باستخدام مواد تشتمل على الأسبستوس (يعتبر الأسبستوس مادة مسرطنة).
- الغبار الناتج من المواد كالتلاء الذي يحتوي على رصاص وبعض أنواع الأخشاب والمعادن والمكثبات المعدنية قد يكون ضاراً (ملازمة أو استنشاق الغبار قد تتسبب في إصابة المشغل أو من يجاوره بأمراض الحساسية و/أو أمراض الجهاز التنفسي؛ قم بارتداء قناع للغبار مع العمل باستخدام جهاز شطف للغبار، طالما أمكن توصيله
- ثمة أنواع معينة من الغبار تُصنّف على أنها مواد مسببة للسرطان (مثل غبار خشب البوط والزان) خاصة عند استخدامها مع مواد مضافة لمعالجة الخشب.
- قم بارتداء قناع للغبار مع العمل باستخدام جهاز شطف للغبار، طالما أمكن توصيله

- التزم بالمتطلبات الوطنية الخاصة بالغبار عند العمل باستخدام المواد المطلوبة
- احرص على بقاء يدك بعيداً عن منطقة القطع والتصل. وضع يدك الأخرى على المقبض الاسطواني H (إذا كنت تمسك المنشار بكلتا يديك، فلن يتعرضوا للقطع بسبب التصل).
- لا تمد يديك أسفل قطعة العمل (فقرّب التصل من يدك ليكون مخفياً عن نظرك).
- يحظر نهائياً الإمساك بقطعة جاري قطعها في يديك أو بين ساقيك (من الضروري دعم العمل بشكل صحيح لتقليل إنهك الجسم و تعويق حركة التصل أو فقدان التحكم).

- استخدم المقامط أو التجهيزات الأخرى لتثبيت ودعم قطعة العمل (الإمساك بقطعة العمل في يدك أو مقابل جسمك قد يؤدي إلى فقدان التحكم)؛ لا تستخدم نصل غير حاد أو تالف (الأنصال غير الحادة قد تنكسر بسهولة أو تسبب الارتداد).
- احرص على بقاء يديك بعيداً عن المنطقة الواقعة بين مبيت الأداة وقامطة النصل D (1) قد تقرب قامطة النصل على أصابعك؛
- تأكد من أن قامطة النصل D (1) محكمة قبل إجراء أي قطع (القامطة المفكوكة قد تتسبب في انزلاق الأداة أو التصل من فقدان التحكم كنتيجة لذلك)؛
- استخدم قفازات وقاية عند إزالة النصل من الأداة (قد يكون نصل المنشار ساخناً بعد الاستخدام لفترة طويلة)؛

- ارتد نظارات الأمان ووقيتات السمع
- شرح الرموز الموجودة على الأداة
- (2) قم بقراءة دليل الإرشادات قبل الاستخدام
- (3) العزل المزوج (لا يلزم سلك أرضي)؛
- (4) لا تتخلص من الأداة مع النفايات المنزلية؛

## الاستخدام

- (1) قطع الغطس (11)
- يمكن إجراء قطوعات الغطس في الأخشاب والمواد الناعمة الأخرى بدون إجراء ثقب خضيري لفتحها:
- استخدم نصل منشار سميك:
- ركب التصل بحيث تكون السنون موجهة لأعلى؛
- امسك المنشار بالعكس كما هو موضح في الشكل؛
- علّم خط القطع المطلوب على قطعة العمل؛
- اختر الوضع 1 أو 2 أو 3 باستخدام العجلة C؛
- قم بإمالة الأداة بحيث لا يلامس النصل قطعة العمل؛
- قم بتشغيل الأداة وتغشيق نصل المنشار المتحرك في قطعة العمل مع نوح الحذر:

## توصيات الاستخدام

- (1) إذا لم يعمل المنشار مع وجود العجلة C (2) في الوضع 1، فاختر سرعة نشر أعلى وخفض سرعة النشر أثناء تشغيل الأداة؛
- تركيب نصل المنشار (8)
- ! فصل القابض:
- اضغط قامطة النصل D للامام وثبتها في هذا الوضع؛
- أدخل النصل (بحيث تكون السنون موجهة لأسفل أو لأعلى للعمق الكامل)؛
- حرر قامطة النصل D؛
- احرج النصل للخارج بعض الشيء حتى تستقر القامطة D في وضع قائم؛
- اضغط القامطة واسحبها للخارج لتلاصق من قفلها بشكل صحيح؛
- ! تأكد من أن قامطة النصل D (1) محكمة قبل إجراء أي قطع (القامطة المفكوكة قد تتسبب في انزلاق الأداة أو التصل مع فقدان التحكم كنتيجة لذلك)؛
- ! تأكد من أن الطرف الأمامي للنصل يمتد عبر المنصة E لطول الشوط الكامل:
- إزالة نصل المنشار (9)
- اضغط قامطة النصل D للامام وثبتها في هذا الوضع؛
- اسحب القامطة للخارج؛
- حرر قامطة النصل D؛
- المنصة القابلة للضغط (10)
- ضبل المنصة E للحفاظ على أكبر قدر من سطحها ملامساً لقطعة العمل؛
- اضغط المنصة عن طريق إمساك المنشار بشكل محكم وتدوير المنصة للوضع المطلوب؛
- حيز تخزين النصل (11)
- تأكد من أن حيز التخزين F مغلقاً للحول دون سقوط الأنصال؛
- تشغيل الأداة
- ! قم بضغط قطعة العمل على نحو آمن:
- علّم خط القطع على قطعة العمل؛
- اختر سرعة النشر المطلوبة باستخدام العجلة C (1)
- قم بتوصيل القابض بمصدر الطاقة (بضئ الصباح B مشيراً إلى أن الأداة تستمد طاقتها) (12)
- امسك الأداة وإحدى يديك على المقبض G (1) واليد الأخرى على المقبض الاسطواني H (1)؛
- شغل الأداة؛
- ! يجب أن تعمل الأداة بسرعة كاملة قبل أن يدخل النصل في قطعة العمل؛
- وجه الأداة على امتداد خط القطع العلّم؛
- حافظ على المنصة E (1) مقابل قطعة العمل بشكل محكم لتقليل القوى الصادة والاهتزاز؛
- إمساك الأداة وتوجيهها
- ! أثناء العمل. امسك الأداة دائماً من منطقة (مناطق) المقبض رمادية اللون (13):
- احرص على أن تكون فتحات التهوية ل (1) غير مغطاة؛
- لا تضغط بشدة على الأداة. بل تركها تقوم بالعمل من تلقاها؛
- ! تأكد من أن نصل المنشار يمد إلى ما بعد قطعة العمل عبر الشوط (14)؛
- ضبط عمق النشر الفعال (15)
- استخدم مسامير الضغط K لتحريك المنصة E انزلاقياً للامام/للخلف لتكبير/تصغير عمق النشر الفعال
- ! لا تحاول ضبط طول الشوط الفعال باستخدام البرغي L، الذي تم ضبطه مسبقاً أثناء عملية التصنيع؛

## الاستخدام

- التشغيل/الإيقاف التشغيل (1)
- التحكم في السرعة
- باستخدام العجلة C (1) يمكن ضبط سرعة النشر القصوى من سرعة منخفضة لسرعة مرتفعة (1) ووضع؛

## مقدمة

- هذه الأداة مخصصة لقطع الخشب والبلاستيك والمعدن ومواد البناء ولتهديب وتقليم الأشجار، وهي مناسبة لعمل قطوعات مستقيمة ومنحنية؛
- لم يتم تصميم هذه الأداة للاستخدام الاحترافي؛
- اقرأ دليل التعليمات هذا واحتفظ به (٢)

## البيانات الفنية (١)

## مكونات الأداة (٢)

- A مفتاح التشغيل/إيقاف
- B مؤشر «تشغيل الطاقة»
- C عجلة خديد السرعة
- D قاطعة النصل
- E منصة قابلة للضغط
- F حيز تخزين النصل
- G مقبض
- H مقبض اسطواني
- J فتحات التهوية
- K مسامير تثبيت
- L برغي ماسك النصل

## أمان

## تعليمات السلامة العامة

**⚠** **تحذير!** اقرأ جميع الملاحظات التحذيرية والتعليمات. إن ارتكاب الأخطاء عند تطبيق الملاحظات التحذيرية والتعليمات قد يؤدي إلى الصدمات الكهربائية. إلى نشوب الحرائق أو أو الإصابة بجروح خطيرة. احتفظ بجميع الملاحظات التحذيرية والتعليمات للمستقبل. يقصد بمصطلح «العدة الكهربائية» المستخدم في الملاحظات التحذيرية، العدة الكهربائية الموصولة بالشبكة الكهربائية (بواسطة كابل الشبكة الكهربائية)، وأيضاً العدة الكهربائية الزودة بطارية (دون كابل الشبكة الكهربائية).

## الأمان بـمكان الشغل

- (١) حافظ على نظافة وحسن إضاءة مكان شغلك. الفوضى في مكان الشغل ومجالات العمل الغير مضاءة قد تؤدي إلى حدوث الحوادث.
  - (ب) لا تشغل بالعدة الكهربائية في محيط معرض لخطر الانفجار والذي تتوفر فيه السوائل أو الغازات أو الأبخرة القابلة للاشتعال. العدة الكهربائية تشكل الشر الذي قد يتطاير، فيشعل الأبخرة والأخيرة.
  - (ت) حافظ على بقاء الأطفال وغيرهم من الأشخاص على بعد عندما تستعمل العدة الكهربائية. قد تفقد السيطرة على الجهاز عند التلوي.
- الأمان الكهربائي**
- (١) يجب أن يتلذع قاييس وصل العدة الكهربائية مع المقبس. لا يجوز تغيير القاييس بأي حال من الأحوال. لا تستعمل القوايس الهائبة مع العدة الكهربائية المؤرصة تأريض وفائتي. تخفض القوايس التي لم يتم تغييرها والمفابس الملائمة من خطر الصدمات الكهربائية .
  - (ب) تجنب ملامسة السطوح المؤرصة كالأنيابن وراياتورات التدفئة والداقي أو البرادات بواسطة جسمك. يزداد خطر الصدمات الكهربائية عندما يكون جسمك موز.
  - (ت) أبعد العدة الكهربائية عن الأمطار أو الرطوبة. يزداد خطر الصدمات الكهربائية إن تسرب الماء إلى داخل العدة الكهربائية.
  - (ث) يجب عدم إسائة استخدام الكابيل لا تسنى استعمال الكابيل لحمل العدة الكهربائية أو تعليقها أو لسحب القاييس من المقبس. حافظ على إبعاد الكابيل عن الحرارة والزيوت والحواف الحادة أو عن أجزاء الجهاز المتحركة. تزيد الكابيلات التالفة أو المتشابكة من خطر الصدمات الكهربائية.
  - (ج) استخدم فقط كابلات التمديد الصالحة للإستعمال الخارجى أيضا عندما تشغل بالعدة الكهربائية في الغلاء. يخفض استعمال كابل تمديد مخصص

للإستعمال الخارجى من خطر الصدمات الكهربائية.

(ح) إن لم يكن بالإمكان عدم تشغيل العدة الكهربائية في الأجواء الرطبة، فاستخدم مفتاح لوقفية من التيار المتردد. إن استخدام مفتاح لوقفية من التيار المتردد يقلل خطر الصدمات الكهربائية.

## ٣) أمان الأشخاص

(ا) كن يقظاً وأنتبه إلى ما تفعله وقم بالعمل بواسطة العدة الكهربائية بتعقل.. لا تستخدم عدة كهربائية عندما تكون متعب أو عندما تكون تحت تأثير المخدرات أو الكحول أو الأدوية.. عدم الإنتباه للحظة واحدة عند إستخدام العدة الكهربائية قد يؤدي إلى إصابة خطيرة.

(ب) ارتد عتاء الوقاية الخاص. وارتد دائماً نظارات واقية. يجب إرتداء عتاء الوقاية الخاص. كقناع الوقاية من الغبار وأحذية الأمان الواقية من الإرتقاع والخوذ واقية الأذنين حسب نوع وإستعمال العدة الكهربائية. من خطر الإصابة بجروح.

(ت) تجنب التشغيل بشكل غير مقصود. تأكد من كون العدة الكهربائية مطفأة قبل وصلها بإمداد التيار الكهربائي و/ أو بالمركب، وقبل رفعها أو حملها. إن كنت تضع إصبعك على المفتاح أثناء حمل العدة الكهربائية أو إن وصلت الجهاز بالشبكة الكهربائية عندما يكون قيد التشغيل، فقد يؤدي ذلك إلى حدوث الحوادث.

(ث) انزع عدد الضغط أو مفتاح الربط قبل تشغيل العدة الكهربائية. قد تؤدي العدة أو المفتاح المتواجد في جزء دوار من الجهاز إلى الإصابة بجروح.

(ج) تجنب أوضاع الجسم غير الطبيعية. قف بأمان وحافظ على توازنك دائماً. سيسمح لك ذلك من السيطرة على الجهاز بشكل أفضل في المواقف غير المتوقعة.

(ح) ارتد ملابس مناسبة. لا ترتدي الثياب الفضفاضة أو الخلي. حافظ على إبقاء الشعر والثياب والقفازات على بعد عن أجزاء الجهاز المتحركة. قد تشابك الثياب الفضفاضة والخلي والشعر الطويل بالأجزاء المتحركة.

(خ) إن جاز تركيب جهاز شفط وجميع الغبار فتأكد من أنها موصولة وأنه يتم استخدامها بشكل سليم. قد يقلل إستخدام جهورات لشفط الأبخرة من المخاطر الناتجة عن الأبخرة.

## ٤) حسن معاملة وإستخدام العدة الكهربائية

(ا) لا تقطع في خميل الجهاز. إستخدم لتنفيذ أشغالك العدة الكهربائية المخصصة لذلك. إنك تعمل بشكل أفضل وأكثر أماناً بواسطة العدة الكهربائية الملائمة في مجال الأداء المذكور.

(ب) لا تستخدم العدة الكهربائية إن كان مفتاح تشغيلها تالف. العدة الكهربائية التي لم تعد تسمح بتشغيلها أو بإطافئها خطيرة ويجب أن يتم تصليحها.

(ت) اسحب القاييس من المقبس و / أو انزع المركب قبل ضغط الجهاز وقبل إستبدال التوابع أو قبل وضع الجهاز جانباً. تمنع إجراءات الاحتياط هذه تشغيل العدة الكهربائية بشكل غير مقصود.

(ث) احتفظ بالعدد الكهربائية التي لا يتم إستخدامها بعيداً عن متال الأطفال. لا تسمح بإستخدام العدة الكهربائية لمن لاخبرة له بها أو لمن لم يقرأ تلك التعليمات. العدد الكهربائية خطيرة إن تم استخدامها من قبل أشخاص دون خبرة.

(ج) اعن بالعدة الكهربائية بشكل جيد. تفحص عما إذا كانت أجزاء الجهاز المتحركة تعمل بشكل سليم وبأنها غير مستعصية عن الحركة أو إن كانت هناك أجزاء مسبوسة أو تالفة لدرجة تؤثر فيها على حسن أداء العدة الكهربائية. ينبغي تصليح هذه الأجزاء التالفة قبل إعادة تشغيل الجهاز. الكثير من الحوادث مصدرها العدد الكهربائية التي تم صيانتها بشكل ردى.

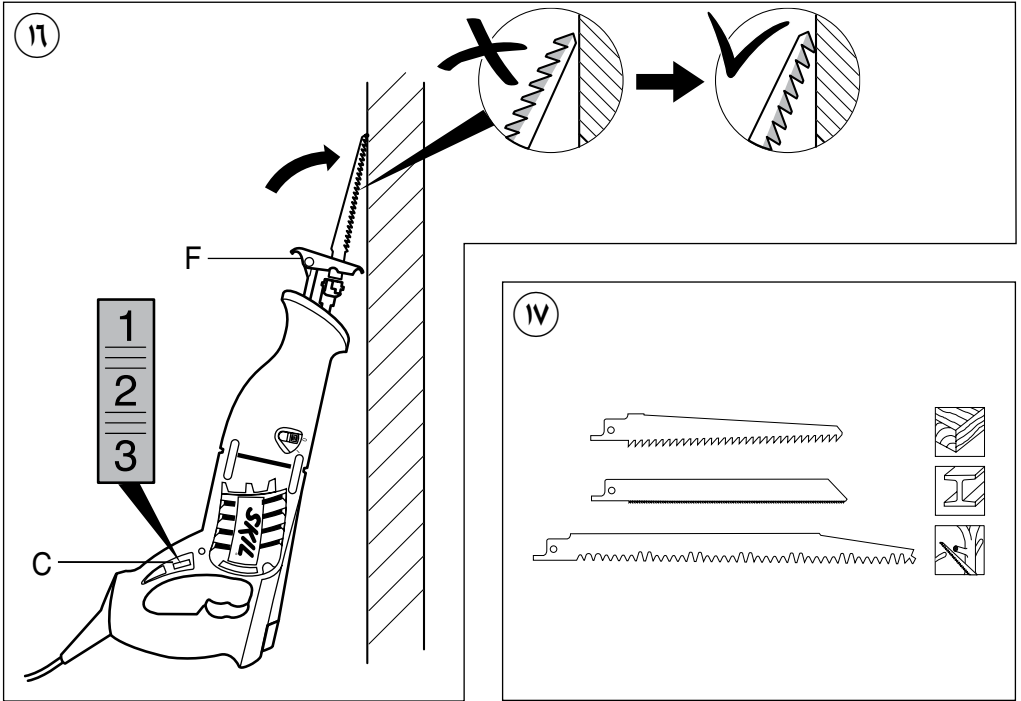
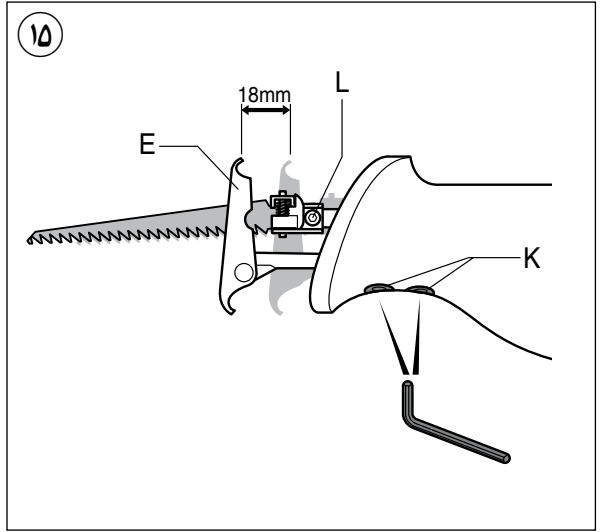
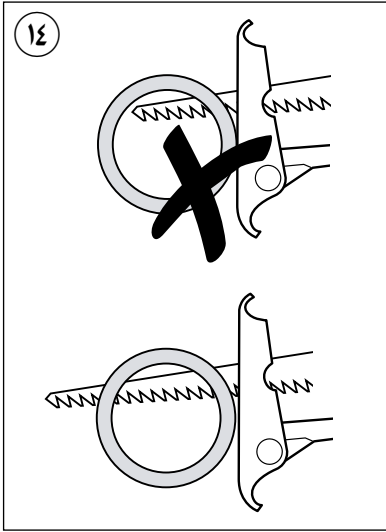
(ح) حافظ على إبقاء عدة القطع نظيفة وحادة. إن عدد القطع ذات حواف القطع الحادة التي تم صيانتها بعناية تتكليس بشكل أقل ويمكن توجيهها بشكل أيسر. استخدم العدد الكهربائية والتوابع وعدد الشغل والبخ حسب هذه التعليمات. تراعى أثناء ذلك شروط الشغل والعمل المراد تنفيذهم. استخدام العدد الكهربائية لغير الأشغال المخصصة لأجلها قد يؤدي إلى حدوث الحلات الخطيرة.

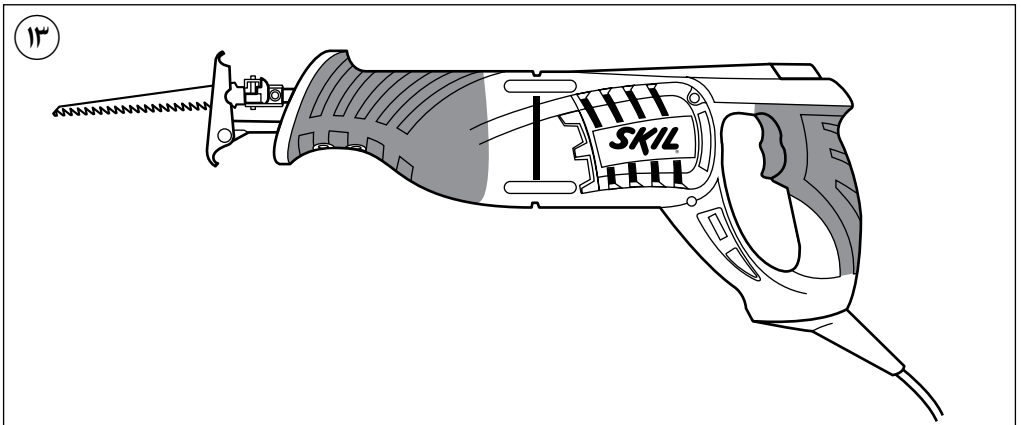
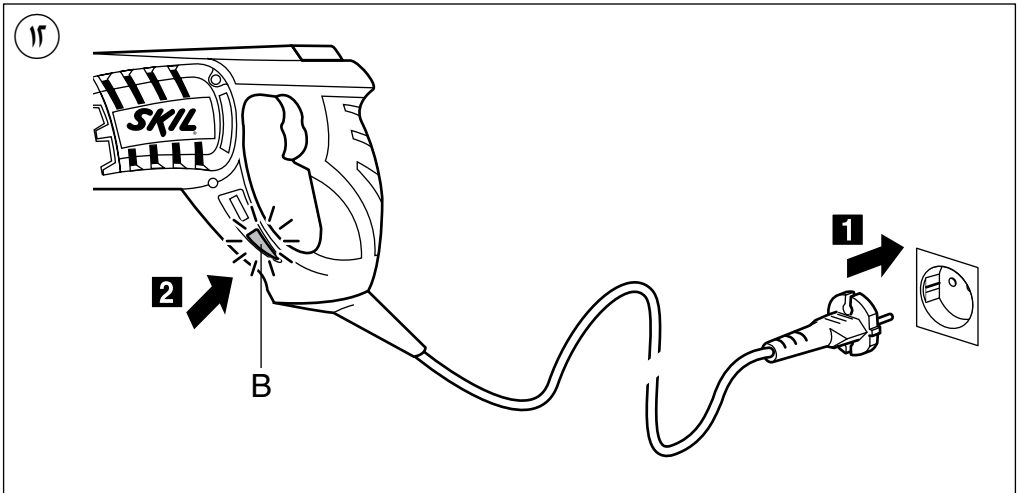
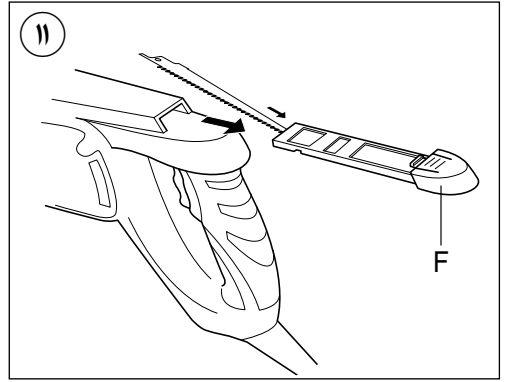
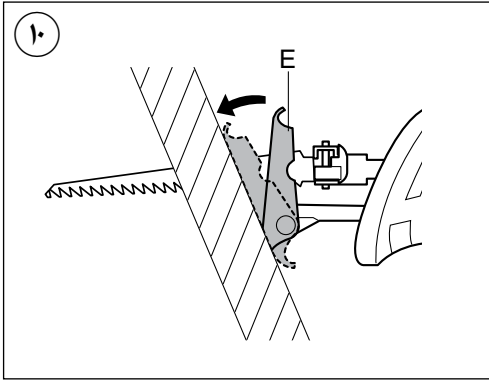
(هـ) اسمح بتصليح عدتك الكهربائية فقط من قبل المتخصصين فقط بإستعمال قطع الغيار الأصلية. يؤمن ذلك المحافظة على أمان الجهاز.

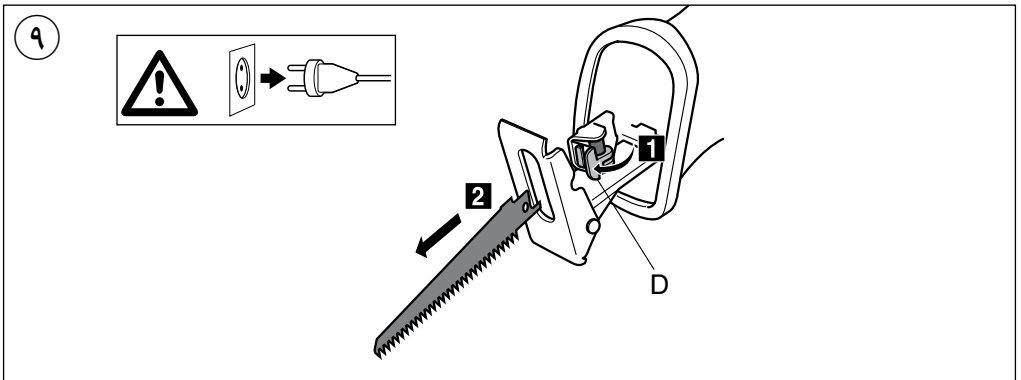
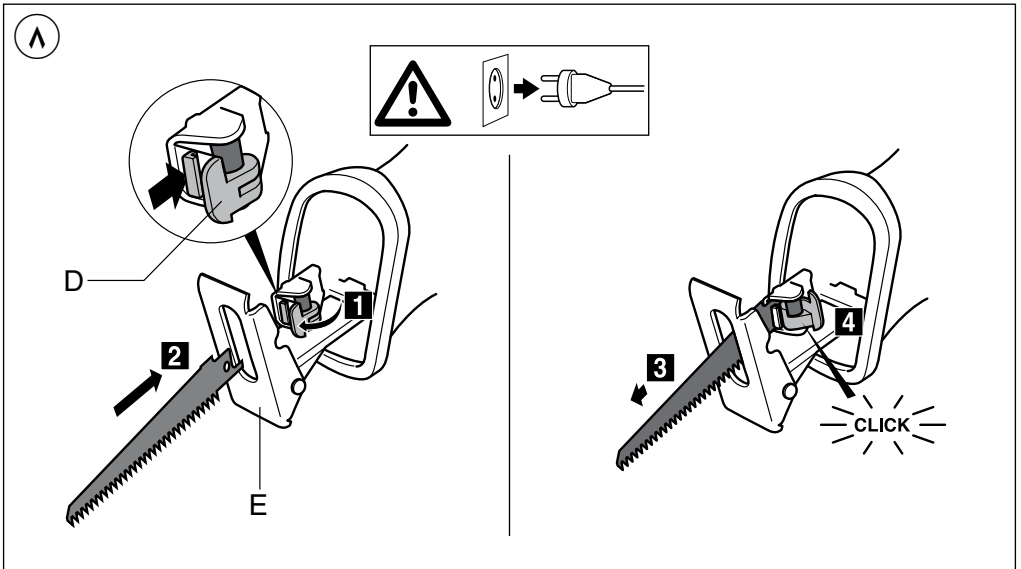
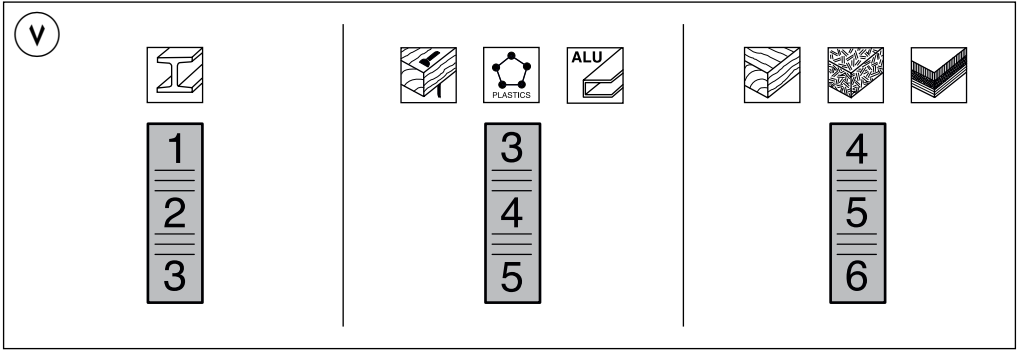
## تعليمات السلامة الخاصة بمنشأير القطع الترددي

## الملحقات

- تضمن SKIL التشغيل السليم للأداة فقط عند استخدام الملحقات الأصلية؛
- استخدم فقط الملحقات بالسعة المسموح بها، والتي توافق على الأقل أعلى سرعة للأداة بدون حمل؛







1 4900

1050  
Watt

3,7 kg  
EPTA 01/2003

$n_0$   
800-2700  
/min

28  
mm

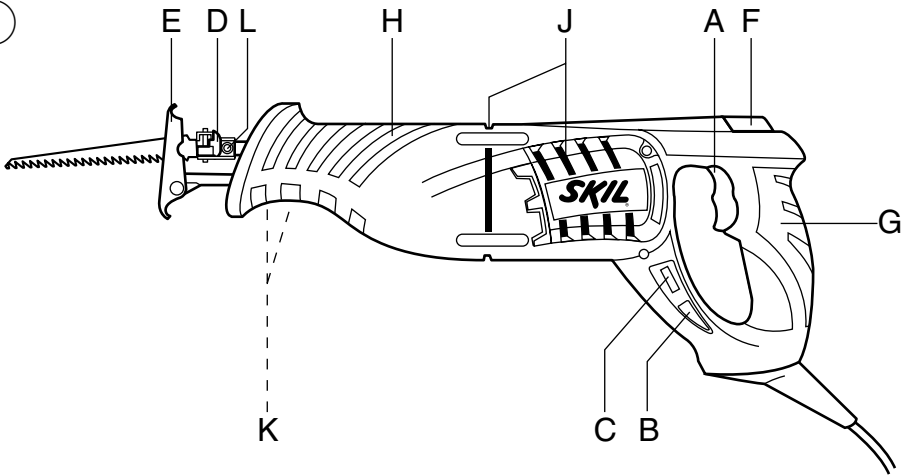
180 mm

Alu  
30 mm

Fe  
20 mm

220  
-  
240  
V~  
50-60 Hz

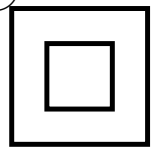
2



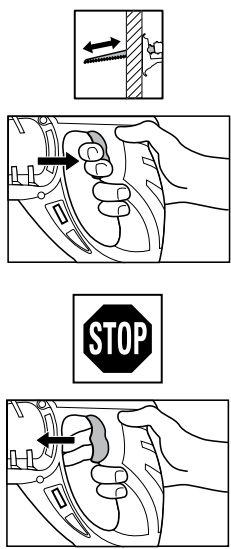
3



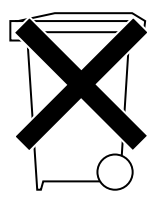
4



5



5



منشار قطع ترددي  
4900

**SKIL**<sup>®</sup>



دليل الاستعمال

AR

راهنماي اصلي

FA



2610Z04681

03/15

سكيل أوروبا ب.د.ق. - كونينانبرج 60  
4825 ب.د. بريدا - هولندا



Сертификат о соответствии  
ТС KZ.7500052.22.01.04178  
Срок действия сертификата  
о соответствии по 09.07.2018  
ТОО «Центр Сертификации продукции и услуг»  
г. Алматы, ул Кабанбай батыра,  
уг. Калдаякова 51/78

ДАТА ПРОИЗВОДСТВА