

TP115/350VE

TP517/AS

- (GB)** Operating Instructions
- (E)** Instrucciones de servicio
- (F)** Mode d'emploi
- (I)** Istruzioni per l'uso
- (D)** Bedienungsanleitung
- (RU)** Руководство по эксплуатации

ORBITAL SANDER

LIJADORAS ORBITALES

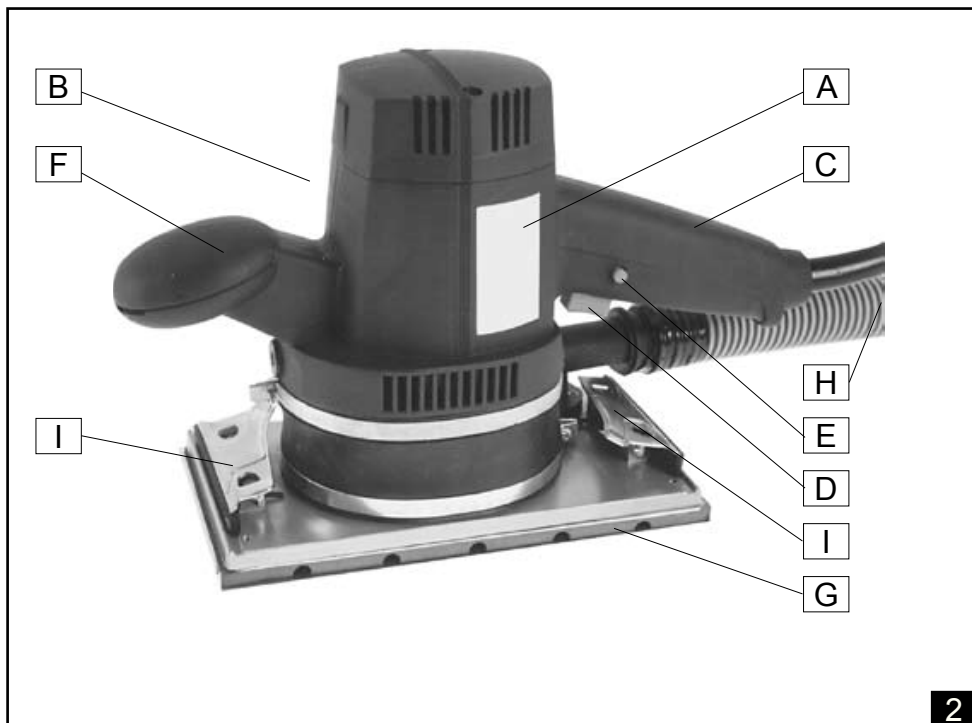
PONCEUSES ORBITALES

LEVIGATRICI ORBITALI

VIBRATIONSSCHLEIFER

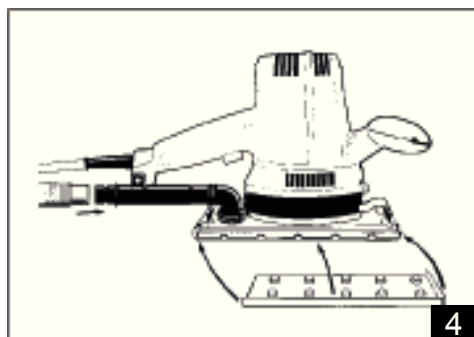
ПЛОСКОШЛИФОВАЛЬНАЯ МАШИНА





2

TP517/AS - TP115/350VE

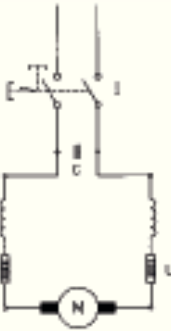


4



5

230-240V ~ 50-60Hz



TP517/AS

230V ~ 50-60Hz



TP115/350VE

OPERATING INSTRUCTIONS FOR ORBITAL SANDER

INTRODUCTION

All FELISATTI portable tools conform with standard EN60745, 98/37/EC machine directives and following modifications, with 2006/95/EC, 93/68/EEC and, with regard to electromagnetic compatibility, the tools conform with directive EEC/89/336, and with standards EN55014.1, EN 55014.2, EN 61000.3.2, EN 61000.3.3 and EN 50366.

CE The mark **CE** on the tool guarantees its conformity.

If used with the care and serviced regularly, this tool will provide long-lasting and reliable service. Carefully follow the instructions contained in this manual, using them for reference for any eventual controls that may need to be carried out.

1 GENERAL INFORMATION

1.0 THE AIM OF THIS MANUAL

This manual has been prepared by the Manufacturer as an integral part of the mitre saw equipment.

The information contained is for the benefit of professional operators.

This manual defines the purpose for which the mitre saw was designed, and contains all the information necessary to ensure safe and correct use. We therefore recommend reading the manual carefully before proceeding to any form of adjustment, operation or maintenance. Constant respect for the contents of this manual ensures both machine and operator safety and the most economical and longest working life of the machine itself. Photographs and

drawings have been supplied by the manufacturer for exemplifying purposes; with the aim of following a policy of constant development and product modernisation, the manufacturer is entitled to make modifications without forewarning.

1.1 TOOL IDENTIFICATION

The plate located on the left hand side of the tool identifies the model, the data plate located on the right hand side of the tool contains the model references, the technical specifications of the motor and the constructor.

1.1.1 IDENTIFICATION

- A Logotype plate
- B Data plate
- C Principal handgrip
- D Switch
- E Switch locking push-button
- F Supplementary handgrip
- G Base (Pad)
- H Suction
- I Abrasive paper fixing clamp

1.2 MANUFACTURER – IDENTIFICATION

Interskol Power Tools S.L.
 Carretera de Sant Joan de les Abadesses
 s/n17500 RIPOL, (Girona), SPAIN
 Tel +34972700200 - Fax +34972700554
 E-mail: e-mail: felisatti@interskol.es

2 TECHNICAL CHARACTERISTICS

2.1 TECHNICAL DATA

Model		TP517/AS	TP115/350VE
Voltage and current	V / A	230V-1,4A	230V-1,6A
Frequency	Hz	50-60	50-60
Absorbed power	W	300	350
Unloaded speed	/min	10000	6500
Full-load speed	/min	6000	6000
Oscillation unloaded	/min	20000	13000
Orbit	mm	2	4,5
Pad dimensions	mm	115x210	115x210
Weight	kg	2,9	2,9
Sound pressure emitted	Lpa dB(A).(*)	75	70,4
Sound power emitted	Lwa dB(A).(*)	86	83,4
Vibration level	m/s ² (*)	4,3	4,9
* Surveys carried out according to standards: EN60745.1 - EN60745.2.4			

2.2 STANDARD EQUIPMENT

TP115/350VE-TP517/AS : Suction unit pipe union.
The series fittings may vary according to the model purchased and the actual commercial situation.

2.3 ACCESSORIES AVAILABLE ON REQUEST

Abrasive paper, paper perforator, suction unit, suction unit kit (only for models programmed for suction unit use).

2.4 SAFETY STANDARDS

The tool has been designed and constructed to permit operation in all situations and in absolute safety. In particular working conditions remember to use protective gloves and safety goggles.

The tool has been designed and constructed to reduce noise to minimum levels. (See technical data 2.1). In particular working conditions the maximum sound level at the place of work may exceed 85 dBA. In this case the operator must use ear protectors. Work carefully and maintain the tool in perfect working order, for your own safety.

3 GENERAL SAFETY STANDARD

WARNING! Read all instructions. Failure to follow all instructions listed below may result in electric shock, fire and/or serious injury.

The term "power tool" in all of the warnings listed below refers to your mains operated (corded) power tool or battery operated (cordless) power tool.

SAVE THESE INSTRUCTIONS

1) WORK AREA

- a) Keep work area clean and well lit. Cluttered and dark areas invite accidents.
- b) Do not operate power tools in explosive atmospheres, such as in the presence of flammable liquids, gases or dust. Power tools create sparks which may ignite the dust or fumes.
- c) Keep children and bystanders away while operating a power tool. Distractions can cause you to lose control.

2) ELECTRICAL SAFETY

- a) Power tool plugs must match the outlet. Never modify the plug in any way. Do not use any adapter plugs with earthed (grounded) power tools. Unmodified plugs and matching outlets will reduce risk of electric shock.
- b) Avoid body contact with earthed or grounded surfaces such as pipes, radiators, ranges and refrigerators. There is an increased risk of electric shock if your body is earthed or grounded.
- c) Do not expose power tools to rain or wet conditions. Water entering a power tool will increase the risk of electric shock.
- d) Do not abuse the cable. Never use the cable for carrying, pulling or unplugging the power tool. Keep cable away from heat, oil, sharp edges or moving parts. Damaged or entangled cables increase the risk of electric shock.

e) When operating a power tool outdoors, use an extension cable suitable for outdoor use. Use of a cable suitable for outdoor use reduces the risk of electric shock.

3) PERSONAL SAFETY

- a) Stay alert, watch what you are doing and use common sense when operating a power tool. Do not use a power tool while you are tired or under the influence of drugs, alcohol or medication. A moment of inattention while operating power tools may result in serious personal injury.
 - b) Use safety equipment. Always wear eye protection. Safety equipment such as dust mask, non-skid safety shoes, hard hat, or hearing protection used for appropriate conditions will reduce personal injuries.
 - c) Avoid accidental starting. Ensure the switch is in the off position before plugging in. Carrying power tools with your finger on the switch or plugging in power tools that have the switch on invites accidents.
 - d) Remove any adjusting key or wrench before turning the power tool on. A wrench or a key left attached to a rotating part of the power tool may result in personal injury.
 - e) Do not overreach. Keep proper footing and balance at all times. This enables better control of the power tool in unexpected situations.
 - f) Dress properly. Do not wear loose clothing or jewellery. Keep your hair, clothing and gloves away from moving parts. Loose clothes, jewellery or long hair can be caught in moving parts.
 - g) If devices are provided for the connection of dust extraction and collection facilities, ensure these are connected and properly used. Use of these devices can reduce dust related hazards.
- #### 4) POWER TOOL USE AND CARE
- a) Do not force the power tool. Use the correct power tool for your application. The correct power tool will do the job better and safer at the rate for which it was designed.
 - b) Do not use the power tool if the switch does not turn it on and off. Any power tool that cannot be controlled with the switch is dangerous and must be repaired.
 - c) Disconnect the plug from the power source before making any adjustments, changing accessories, or storing power tools. Such preventive safety measures reduce the risk of starting the power tool accidentally.
 - d) Store idle power tools out of the reach of children and do not allow persons unfamiliar with the power tool or these instructions to operate the power tool. Power tools are dangerous in the hands of untrained users.
 - e) Maintain power tools. Check for misalignment or binding of moving parts, breakage of parts and any other condition that may affect the power tools operation. If damaged, have the power tool repaired before use. Many accidents are caused by poorly maintained power tools.
 - f) Keep cutting tools sharp and clean. Properly maintained cutting tools with sharp cutting edges are

less likely to bind and are easier to control.

g) Use the power tool, accessories and tool bits etc., in accordance with these instructions and in the manner intended for the particular type of power tool, taking into account the working conditions and the work to be performed. Use of the power tool for operations different from intended could result in a hazardous situation.

5) SERVICE

a) Have your power tool serviced by a qualified repair person using only identical replacement parts. This will ensure that the safety of the power tool is maintained.

4 INSTALLATION

4.1 PACKAGING

This tool is sold complete with accessories and the user's manual, contained in a cardboard box (or in a metal case) of suitable size and thickness for the work that the tool is intended for. This container should be kept as it will prove useful for your work.

4.2 INSTALLATION

The environmental conditions, temperature, humidity, lighting, the correct dislocation of your tool and the cleanliness of the place of work are important conditions for personal safety and tool performance. These factors should always be kept under control in order to improve working conditions and ensure safety.

4.3 ELECTRICAL CONNECTION

Before connecting the power tool to the mains or to the isolation transformer, make sure that it complies with local norms and that the voltage and the frequency correspond to those indicated on the machine data plate.

When using extension leads, make sure that the cable cross section is suited to the cable length. If extension leads on reels are used, make sure that they are completely unwound to avoid the risk of overheating.

ATTENTION!

The switch on this tool is fitted with a locking device, allowing the tool to be operated for long periods of time without interruptions. Before inserting the plug into the socket, check that the switch is in the unlocked position.

ATTENTION!

When the tool is not to be used for long periods remember to leave the switch device in the unlocked position.

4.4 PLACE OF WORK

The tool that you have purchased is a portable electric power tool.

Only one user should operate this tool, given its shape, weight and maneuverability.

Normal use requires that both of the operator's hands are firmly kept on the two handgrips.

ATTENTION!

Always keep hands a safe distance away from the pad!

5

REGULATION

The tool is already regulated according to standard parameters by the constructor when supplied.

6

OPERATION AND USE

6.1 CONSTANT ELECTRONIC CONTROL

The TP115/350VE machines is equipped with an electronic circuit that maintains constant motor revolutions in all working situations, guaranteeing optimal working conditions.

6.2 APPLICATIONS

As a result of the r.p.m. and constant electronic control mechanisms, the TP115/350VE is particularly suitable for metal filler sanding and vehicle bodywork.

6.3 USE AND APPLICATION

The tool is supplied ready for use it is only necessary to insert the abrasive paper onto the pad.

Pre-punched abrasive paper, or normal paper to be punched with the paper punch supplied, can be applied (for the AS models with shavings extraction). In order to fix the abrasive paper, proceed as follows (fig. 4-5):

- 1) Open one fixing clamp and insert the sheet of abrasive paper into the exact position.
- 2) Position the sheet of abrasive paper on the base of the tool.
- 3) Open the second clamp and insert the other edge of the sheet of abrasive paper.

Check that the sheet is firmly secured and that it completely covers the base of the tool. completely covers the base of the tool.

ATTENTION!

Excessive pressure on the handgrip does not necessarily result in higher sanding speed, on the contrary, it can provoke motor overloading and less efficient operation.

6.4 ABRASIVE PAPER

Only use good quality abrasive paper as this will improve the sanding efficiency and reduce working time.

Use coarse grade (40-60-80) sanding sheets for when large quantities of material require to be removed.

For finishing operations use 150 to 320 grade sanding sheets.

6.5 SHAVINGS SUCTION UNITS (FIG. 4)

«STARMIX» VCF20/1000, VCF32/1200, VCF45/1400 dust suction units have been designed to keep working areas clean and free from dust.

Always remember to empty the dust suction bag, it could fill up and in that way make working operations less efficient.

Felisatti suction units can also be used for these tools.

6.6 IMPROPER USE

The functions and use of this tool are those exclusively indicated in this manual.

ANY OTHER USE OF THE TOOL IS EXPLICITLY FORBIDDEN !

6.7

ATTENTION!

Contact with or inhalation of the processing dust may be dangerous for the operator and for anyone who is in the vicinity.

Particular care must be taken when smoothing wood or surfaces painted with lead paint due to the dangerous dust produced.



It is recommended to use safety goggles and anti-dust masks.

7

MAINTENANCE

Regular inspection reduces the necessity for maintenance operations and will keep your tool in good working condition. The tool bearings are life-long lubricated. The motor must be correctly ventilated during tool operation. For this reason avoid blocking the air inlets with hands. After use, disconnect the tool from the power supply and clean carefully.

7.1 DISPOSAL

At the end of the machine's working life, or when it can no longer be repaired, ensure that it is disposed of according to the standard regulations of the country in which it is being used, and that the disposal operation is carried out by specialized personnel following authorized guidelines.

In all circumstances:

- Do not abandon in the environment;
- Do not dispose of together with solid urban waste products;
- Contact the special recycling centers.

8

PARTS REPLACEMENT

ATTENTION!

Disconnect the plug from the power supply socket before replacing any parts.

8.1 BRUSHES

The brushes must be replaced after approx. 150-200 working hours, or if they are less than 5-6 mm in length.

ATTENTION!

For correct tool operation always change the brushes in pairs, not separately. The use of original Felisatti spare parts is recommended.

ATTENTION!

This operation should only be performed by an authorized service center.

ATTENTION: After fitting new brushes allow the motor to run idle for 5 minutes.

8.2 REPLACING THE POWER SUPPLY CABLE

Check that the power supply cable is in good condition, if not have it replaced by an authorized service center.

CE DECLARATION OF CONFORMITY

We hereby declare, under our sole responsibility, that the FELISATTI brand products described in this manual comply with the following standards or standard documents: EN60745, 98/37/EC machine directives and following modifications, with 2006/95/EC, 93/68/EEC and, with regard to electromagnetic compatibility, the tools conform with directive EEC/89/336, and with standards EN55014.1, EN 55014.2, EN 61000.3.2, EN 61000.3.3 and EN 50366.

Jordi Carbonell


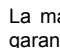
Santiago López

We reserve the right to make technical changes.

INSTRUCCIONES PARA EL USO DE LIJADORAS ORBITALES

INTRODUCCIÓN

Todas las herramientas portátiles FELISATTI son conformes con la Norma EN 60745, con la directiva máquinas 98/37/CE y sucesivas modificaciones, con las directivas 2006/95/CE y 93/68/CEE y, por lo que atañe a la compatibilidad electromagnética, son conformes con la directiva 89/336/CEE y con las Normas EN 55014.1, EN 55014.2, EN 61000.3.2, EN 61000.3.3 y EN 50366. Si la herramienta se utiliza con cuidado y se cumple el normal mantenimiento, su funcionamiento será prolongado. Respetar atentamente las instrucciones contenidas en este manual, conservarlo con cuidado y al y tenerlo alcance de la mano para posibles controles de las partes indicadas.

 La marca  indicada sobre la herramienta garantiza la conformidad.

1 INFORMACIONES GENERALES

1.0 FINALIDAD DEL MANUAL

Este manual ha sido redactado por el constructor y constituye parte integrante del material en dotación a la herramienta. **Las informaciones contenidas están destinadas a los operadores profesionales.** Este manual especifica la finalidad para la cual la herramienta ha sido construida y contiene todas las informaciones necesarias para garantizar un utilizzo seguro y correcto. Por lo tanto, se recomienda consultar atentamente este manual antes de realizar cualquier tipo de regulación, uso o mantenimiento. El constante respeto de las normas contenidas en el mismo garantiza la seguridad de la persona y de la

máquina, el ahorro de ejercicio y una duración mas prolongada de la herramienta.

Las fotografías y diseños son abastecidos como ejemplos, el constructor en una continua investigación para el constante desarrollo y mejoría del producto puede aportar modificaciones sin previo aviso.

1.1 IDENTIFICACION DE LA HERRAMIENTA

La tarjeta marca ubicada en el lado izquierdo de la herramienta identifica el modelo, la tarjeta datos ubicada en el lado derecho de la herramienta contiene las referencias del modelo y los datos técnicos del motor y de su constructor.

1.1.1 IDENTIFICACION

- A Tarjeta marca
- B Tarjeta datos
- C Puño principal
- D Interruptor
- E Pulsador de bloqueo interruptor
- F Puño suplementar
- G Base (Platillo)
- H Aspiración
- I Pinzas fijación papel abrasivo

1.2 FABRICANTE - IDENTIFICACIÓN

Poder Interskol Herramientas S.L.
Carretera de Sant Joan de les Abadesses
s/n17500 Ripol, (Girona), ESPAÑA
Tel. +34972700200 - Fax +34972700554
E-mail: e-mail: felisatti@interskol.es

2 CARACTERISTICAS TECNICAS

2.1 DATOS TECNICOS

Modelo		TP517/AS	TP115/350VE
Tensión y Corriente	V / A	230V-1,4A	230V-1,6A
Frecuencia	Hz	50-60	50-60
Potencia Absorbida	W	300	350
Velocidad en vacio	/min	10000	6500
Velocidad en carga	/min	6000	6000
Oscilaciones en vacio	/min	20000	13000
Orbita	mm	2	4,5
Dimensiones platillo	mm	115x210	115x210
Peso	kg	2,9	2,9
Presión sonora emitida	Lpa dB(A).(*)	75	70,4
Potencia sonora emitida	Lwa dB(A).(*)	86	83,4
Nivel de vibraciones	m/s ² (*)	4,3	4,9

* Controles realizados según las normas: EN60745.1 - EN60745.2.4

2.2 DOTACIÓN STANDARD

TP115/350VE - TP517/AS : Empalme tubo aspirador. La dotación de serie puede variar según la versión adquirida y la campaña comercial en curso.

2.3 ACCESORIOS SOBRE PEDIDO:

Papel abrasivo, perforadora de papel, aspirador, kit para aspirador (sólo para versiones preajustadas para la aspiración).

2.4 DISPOSITIVOS DE SEGURIDAD

La herramienta ha sido proyectada y construida para que sea posible trabajar en todas las situaciones con total seguridad, a pesar de todo en particulares condiciones de trabajo recordar de utilizar adecuados guantes de trabajo y gafas protectivas.

La herramienta ha sido proyectada y construida para reducir la mínimo los ruidos (ver datos técnicos 2.1), a pesar de esto en especiales condiciones el nivel de ruido máximo en el sitio de trabajo podría ser superior a 85 dBA. En este caso el operador debe protegerse de la rumorosidad excesiva por medio del uso de auriculares.

Sean prudentes en el cumplimiento de vuestro trabajo y mantener en orden vuestra herramienta, a beneficio de Vs. seguridad.

3 NORMAS GENERALES PARA LA SEGURIDAD

¡ATENCIÓN! Leer todas las instrucciones. El incumplimiento de cualquiera de las siguientes instrucciones puede provocar choques eléctricos, incendios y/o lesiones graves. La expresión “herramienta eléctrica” que aparece en todas las siguientes advertencias se refiere a herramientas eléctricas cuyo accionamiento se efectúe mediante conexión a la línea (con cable) o por batería (sin cable).

CONSERVAR ESTAS INSTRUCCIONES

1) ÁREA DE TRABAJO

- Mantener el área de trabajo limpia y bien alumbrada. Las áreas en desorden y oscuras pueden ser causa de accidentes.
- No accionar herramientas eléctricas en atmósferas explosivas, por ejemplo en presencia de líquidos, gases o polvo inflamables. Las herramientas eléctricas crean chispas que pueden provocar el encendido del polvo o de humos.
- Mantener a los niños y transeúntes a distancia durante el accionamiento de una herramienta eléctrica. Las distracciones pueden provocar la pérdida del control de la herramienta.

2) SEGURIDAD ELÉCTRICA

- La clavija de la herramienta eléctrica tiene que corresponder con la toma. No modificar jamás la clavija en modo alguno. No utilizar enchufes adaptadores con herramientas eléctricas provistas de toma de tierra (a masa). Clavijas originales y correspondencia de enchufes reducen el riesgo de choque eléctrico.
- Evitar el contacto del cuerpo con superficies

conectadas a tomas de tierra o a masa, como por ejemplo tubos, radiadores, cocinas y neveras. Si el cuerpo está conectado a tierra o a masa, el riesgo de choque eléctrico aumenta.

- No exponer las herramientas eléctricas a la lluvia ni utilizarlas en sitios húmedos. La entrada de agua en una herramienta eléctrica aumenta el riesgo de choque eléctrico.
- No maltratar el cable. No utilizar nunca el cable para transportar, tirar o desenchufar la herramienta eléctrica. Mantener el cable distante de fuentes de calor, aceites, cantos afilados o partes en movimiento. Cables dañados o enredados aumentan el riesgo de choque eléctrico.
- Al accionar una herramienta eléctrica en exteriores debe utilizarse un cable de extensión adecuado para ser usado en exteriores. La utilización de un cable adecuado reduce el riesgo de choque eléctrico.

3) SEGURIDAD PERSONAL

- No distraerse nunca, controlar lo que se está haciendo y usar el sentido común cuando se accionan herramientas eléctricas. No accionar la herramienta cuando se está cansado o bajo la influencia de drogas, alcohol o medicamentos. Un momento de distracción durante la utilización de herramientas eléctricas puede provocar graves lesiones a las personas.
- Utilizar equipos de seguridad. Ponerse siempre protectores de los ojos. La utilización de apropiados equipos de seguridad como caretas antipolvo, calzado de seguridad antideslizante, casco de seguridad, o protectores del oído reduce la posibilidad de sufrir lesiones personales.
- Evitar la puesta en marcha accidental. Comprobar que el interruptor esté en la posición de apagado antes de conectar la herramienta a la línea eléctrica. Transportar las herramientas eléctricas con el dedo en el interruptor o enchufarlas con el interruptor en posición de encendido puede provocar accidentes.
- Retirar toda llave de regulación antes de encender la herramienta eléctrica. Una llave dejada enganchada en una parte giratoria de la herramienta eléctrica puede provocar lesiones a las personas.
- No desequilibrarse. Mantener siempre la posición y el equilibrio apropiados. Esto permite controlar mejor la herramienta eléctrica en situaciones imprevistas.
- Vestirse adecuadamente. No ponerse prendas de vestir anchas ni joyas. Mantener el cabello, las prendas de vestir y los guantes alejados de las partes en movimiento. Vestidos anchos, joyas o cabellos largos pueden enredarse en las partes en movimiento.
- En presencia de dispositivos que prevean la conexión con instalaciones para la extracción y la recogida de polvo, comprobar su conexión y correcta utilización. La utilización de estos dispositivos puede reducir los riesgos vinculados al polvo.

4) USO Y MANTENIMIENTO DE LAS HERRAMIENTAS ELÉCTRICAS

a) No forzar la herramienta eléctrica. Utilizar la herramienta adecuada para la operación que debe efectuarse. La herramienta eléctrica apropiada permite realizar el trabajo con mayor eficiencia y seguridad, sin tener que superar los parámetros de utilización previstos.

b) No utilizar la herramienta eléctrica si el interruptor de encendido y apagado no funciona correctamente. Toda herramienta eléctrica que no puede ser controlada por el interruptor es peligrosa y debe repararse.

c) Desenchufar la clavija de la línea de suministro eléctrico antes de efectuar una operación de regulación, cambiar accesorios o guardar las herramientas eléctricas. Estas medidas de seguridad preventiva reducen el riesgo de puesta en marcha accidental de la herramienta eléctrica.

d) Guardar las herramientas eléctricas que no se utilizan fuera del alcance de los niños y no permitir su utilización a personas inexpertas o que desconozcan estas instrucciones. Las herramientas eléctricas son peligrosas si las utilizan personas inexpertas.

e) Efectuar el mantenimiento necesario en las herramientas eléctricas. Comprobar posibles errores de alineación o bloqueo de las partes en movimiento, la rotura de piezas y cualquier otra condición que pueda influir en el funcionamiento de las herramientas eléctricas. Si está dañada, hacer reparar la herramienta eléctrica antes de utilizarla. Precisamente el mal estado de conservación de las herramientas eléctricas provoca numerosos accidentes.

f) Mantener limpios y afilados los instrumentos de corte. Instrumentos de corte en buenas condiciones de conservación y con cantos de corte afilados es menos probable que se bloqueen y son más fáciles de controlar.

g) Usar la herramienta eléctrica, los accesorios y las puntas etc. conformemente con estas instrucciones y en el modo previsto para el específico tipo de herramienta eléctrica, tomando en consideración las condiciones de trabajo y la operación que debe llevarse a cabo. La utilización de la herramienta eléctrica para operaciones distintas de las previstas puede dar lugar a situaciones peligrosas.

5) ASISTENCIA

a) Hacer reparar la herramienta eléctrica exclusivamente a técnicos cualificados y utilizar únicamente recambios idénticos. Esto garantiza la constante seguridad de la herramienta eléctrica.

4

INSTALACION

4.1 EMBALAJE

La herramienta adquirida, completa de accesorios y manual para el uso, se encuentra contenida en un embalaje de cartón (o en una maleta de metal) con dimensiones y espesor adecuados al uso previsto

para esta herramienta, conservarlo con atención, les servirá para el cumplimiento de vs. trabajo.

4.2 INSTALACION

Las condiciones ambientales, la temperatura, la humedad, la iluminación, la correcta posición de vuestra herramienta y la limpieza del ambiente de trabajo son condiciones importantes para la seguridad personal y para el rendimiento de la herramienta misma. Mantenerlas siempre controladas, trabajarán mejor y con mayor seguridad.

4.3 EMPALME ELECTRICO

Antes de conectar la herramienta a la red de alimentación o al transformador de aislamiento cerciórese de que cumpla con las normas vigentes en el país de utilización y que la tensión y la frecuencia correspondan a la indicada en la placa de características.

Para la utilización de cables de prolongación, controle que la sección de los cables sea adecuada a la longitud.

Si usa cables de prolongación enrollados, controle que se desenrollen totalmente para evitar fenómenos de sobrecalentamiento.

ATENCION

El interruptor de estas herramientas posee un bloqueo para poder trabajar durante periodos prolongados sin que sea obligatorio mantenerlo presionado.

Antes de insertar el enchufe en la toma de corriente controlar que el interruptor se encuentre en la posición de desbloqueo. Cuando no se utiliza la herramienta por un periodo prolongado no olvidar que la tecla del interruptor debe permanecer desbloqueada.

4.4 SITIO DE TRABAJO

La herramienta que Ud. ha comprado es una electroherramienta portátil.

Para su utilizo se prevee un solo operador gracias a su construcción, peso y manejabilidad.

El empleo normal prevee las manos del operador posicionadas en forma firme sobre los dos puños.

ATENCIÓN mantener las manos, siempre, lejos del platillo.

5

RÉGULACION

El constructor entrega la herramienta regulada según los parámetros standard.

6

FUNCIONAMIENTO Y USO

6.1 CONSTANT ELECTRONIC

El TP115/350VE es equipado con un circuito electrónico que permite mantener constante el número de revoluciones del motor en cualquier condición de trabajo, por lo tanto Vs. labor se cumplirá siempre en las condiciones mas favorables.

6.2 UTILIZOS

El modelo TP115/350VE, gracias a su número de revoluciones y al efecto del constant electronic, es particularmente adecuado para el levigado de los estucos metálicos y para trabajos de carrocería.

6.3 ACCIONAMIENTO Y FORMA DE EMPLEO

La máquina se abastece preparada para el uso, es necesario solo montar el papel abrasivo en el platillo. Se pueden utilizar papeles anteriormente perforados o papel normal a perforar con el perfora papel en dotación (para los modelos AS, con aspiración de las virutas) Para la fijación del papel abrasivo proceder de la siguiente forma (fig. 4-5)

1. Abrir una pinza e introducir el papel abrasivo en la posición exacta.
2. Extender el papel abrasivo sobre la base de la herramienta.
3. Abrir la segunda pinza e introducir la otra parte del papel abrasivo.

Controlar que el papel se encuentre bien fijado y cubra toda la base de la herramienta.

ATENCIÓN - Una presión mayor sobre el puño no significa necesariamente una mayor velocidad de lijado, al contrario puede originar una sobrecarga excesiva al motor y un funcionamiento menos eficaz.

6.4 PAPEL ABRASIVO

Usar exclusivamente papel abrasivo de calidad: mejoran las prestaciones de la máquina y disminuyen los tiempos de trabajo.

Para operaciones de desgrosado que precisan una fuerte asportación de material usar prevalentemente papel con grano 40-60-80.

Para operaciones de acabado, usar papel con grano de 150 a 320.

6.5 ASPIRACION DE LAS VIRUTAS (fig. 4)

Para mantener limpio y sin polvo el sitio de trabajo se encuentran disponibles los aspiradores «STARMIX» VCF20/1000, VCF32/1200, VCF45/1400.

También para estas herramientas es posible utilizar los aspiradores Felisatti.

6.6 USO INADECUADO

Las funciones y el uso de la herramienta que Ud. compró son solo y exclusivamente aquellas indicadas en el presente manual.

Está totalmente prohibido cualquier otro uso de la herramienta.

6.7

ATENCIÓN - El contacto o la inhalación del polvo producido durante el trabajo puede ser peligroso para el operador o para quienes se encuentren en los alrededores!

Es preciso prestar particular atención durante el lijado de madera o de superficies pintadas con pinturas al

plomo debido a la peligrosidad del polvo producido.



Se aconseja la utilización de gafas protectoras y de caretas antipolvo.

7

MANTENIMIENTO

Un control regular disminuye la necesidad de mantenimiento y conserva vuestra herramienta en buenas condiciones de trabajo. Los cojinetes han sido lubricados para todo el periodo de duración de la herramienta. El motor debe ser correctamente ventilado durante el utilizo de la herramienta. Por esta razón no apoyar las manos sobre las bocas de ventilación. Después de cada utilizo, desconectar la herramienta de la corriente y limpiarla cuidadosamente.

7.1 ELIMINACION

Al fin de la vida de la máquina o cuando la misma ya no puede ser reparada, asegurarse que la misma sea eliminada por personal especializado y autorizado.

En todas formas:

No disperder en el ambiente

No mezclar con desperdicios sólidos urbanos

Dirigirse a específicos centros de reciclaje.

8

MANTENIMIENTO

ATENCIÓN - Antes de efectuar cualquier operación de sustitución de partes desconectar el enchufe de la toma de corriente.

8.1 ESCOBILLAS

Las escobillas deben ser reemplazadas después de aproximadamente 150 - 200 horas de trabajo o si su largo es inferior a los 5-6 mm.

ATENCIÓN - Para un correcto funcionamiento de la herramienta reemplazar siempre las escobillas en pares y no una a la vez. Se recomienda el uso de recambios originales Felisatti.

ATENCIÓN: Es necesario efectuar esta operación en un centro de asistencia autorizado.

ATENCIÓN - Después del montaje de las nuevas escobillas hacer funcionar el motor en vacío durante como mínimo 5 minutos.

8.2 SUSTITUCION DEL CABLE DE ALIMENTACION

Controlar que las condiciones del cable de corriente sean buenas y en caso contrario **hacerlo reemplazar en un centro de asistencia autorizado.**

CE DECLARACIÓN DE CONFORMIDAD

Declaramos bajo nuestra sola responsabilidad que los productos marca FELISATTI descritos en este manual están en conformidad con la Norma EN 60745, con la directiva máquinas 98/37/CE y sucesivas modificaciones, con las directivas 2006/95/CE y 93/68/CEE y, por lo que atañe a la compatibilidad electromagnética, son conformes con la directiva 89/336/CEE y con las Normas EN 55014.1, EN 55014.2, EN 61000.3.2, EN 61000.3.3 y EN 50366.

Jordi Carbonell

Santiago López



Reservado el derecho de modificaciones técnicas



Lined writing area with 25 horizontal lines.

MODE D'EMPLOI DES PONCEUSES ORBITALES INTRODUCTION

Tous les outils portables FELISATTI sont conformes à la Norme EN 60745, à la directive machine 98/37/CE et modifications, aux 2006/95/CE et 93/68/CEE et, en ce qui concerne le compatibilité électromagnétique, à la directive 89/336/CEE, aux Normes EN 55014.1, EN 55014.2, EN 61000.3.2, EN 61000.3.3 et EN 50366.

CE Le Label **CE** appliqué sur l'outil en garantit la conformité.

Votre outil durera longtemps si vous en faites un usage approprié et si vous l'entretenez.

Suivez attentivement les instructions de cette notice, prenez soin de l'outil et gardez-le à portée de main pour les éventuels contrôles des organismes compétents.

1 INFORMATIONS GENERALES

1.0 OBJECTIF DE LA NOTICE

Cette notice a été rédigée par le constructeur et fait partie des accessoires de l'outil.

Les informations contenues dans la notice s'adressent aux opérateurs professionnels.

Dans cette notice vous trouverez les raisons qui ont déterminé la construction de l'outil et les informations nécessaires pour en garantir une utilisation sûre et correcte: avant de procéder à toute intervention de réglage, d'utilisation ou d'entretien, veuillez consulter avec attention la présente notice.

Une vigilente et constante observation des normes qu'elle contient est garantie de sécurité pour l'utilisateur et pour la machine, d'économie d'exercice et de prolongement de la durée de fonctionnement de l'outil.

2 TECHNICAL CHARACTERISTICS

2.1 DONNEES TECHNIQUES

Modele		TP517/AS	TP115/350VE
Tension et Courant	V / A	230V-1,4A	230V-1,6A
Fréquence	Hz	50-60	50-60
Puissance Absorbée	W	300	350
Vitesse à vide	/min	10000	6500
Vitesse en charge	/min	6000	6000
Oscillations à vide	/min	20000	13000
Orbite	mm	2	4,5
Dimensions Plateau	mm	115x210	115x210
Poids	kg	2,9	2,9
Emission sonore	Lpa dB(A).(*)	75	70,4
Puissance sonore émise	Lwa dB(A).(*)	86	83,4
Niveau des vibrations	m/s ² (*)	4,3	4,9

* Relevés effectués d'après les normes: EN60745.1 - EN60745.2.4

Les photos et les croquis servent d'exemple: le constructeur se réserve le droit d'apporter toute modification ou mise à jour au produit, sans aucun préavis.

1.1 IDENTIFICATION DE L'OUTIL

Le label logotype situé sur le côté gauche de l'outil identifie le modèle. Le label données situé sur le côté droit de l'outil porte les références du modèle et les données techniques du moteur et de son constructeur.

1.1.1 IDENTIFICATION

- A PLAQUETTE LOGOTYPE
- B PLAQUETTE DONNEES
- C POIGNEE PRINCIPALE
- D INTERRUPTEUR
- E BOUTON DE BLOCAGE DE L'INTERRUPTEUR
- F POIGNEE SUPPLEMENTAIRE
- G BASE (plateau)
- H ASPIRATION
- I PINCES DE FIXAGE PAPIER ABRASIF

1.2 FABRICANT - IDENTIFICATION

Puissance Interskol Outils S.L.
Carretera de Sant Joan de les Abadesses s/n17500
RIPOL, (Gérone), ESPAGNE
Tél +34972700200 - Fax +34972700554
E-mail: e-mail: felisatti@interskol.es

2.2 FOURNITURE STANDARD

TP115/350VE - TP517/AS : Raccord tuyau aspirateur. La fourniture standard peut varier en fonction de la version choisie et de la campagne commerciale en cours.

2.3 ACCESSOIRES SUR DEMANDE:

Abrasifs, perforateurs d'abrasif, aspirateur, kit pour aspirateur (seulement pour les versions qui prévoient l'aspiration).

2.4 DISPOSITIFS DE SECURITE

L'outil a été projeté et construit pour vous permettre de travailler dans toutes les situations en toute sécurité. Dans certaines conditions particulières de travail, ne pas oublier d'utiliser des gants de travail et des lunettes de protection.

L'outil a été projeté et construit pour réduire au minimum les émissions de bruit (voir données techniques point 2.1). Dans certaines conditions particulières, le niveau sonore maximum de la zone de travail pourrait excéder 85 dbA.

Dans ce cas, l'opérateur devra se protéger contre l'excès de bruit avec un casque antibruit. Pour votre sécurité, soyez prudents dans la réalisation de votre travail et faites attention à votre outil.

3 NORMES GENERALES POUR LA SECURITE

ATTENTION! Lire toutes les instructions. Ne pas se conformer à toutes les instructions énumérées ci-dessous peut donner lieu à des secousses électriques, des incendies et/ou des lésions sérieuses. Le terme «outil électrique» de tous les avertissement énumérés ci-dessous se réfère aux outils électriques actionnés au moyen d'un raccordement au réseau (par câble) ou actionnés par batterie (sans câble).

CONSERVER CES INSTRUCTIONS

1) ZONE DE TRAVAIL

- Maintenir la zone de travail propre et bien éclairée. Les zones encombrées et sombres peuvent provoquer des accidents.
- Ne pas actionner d'outils électriques dans des atmosphères explosives, par exemple en présence de liquides, gaz ou poudres inflammables. Les outils électriques créent des étincelles qui peuvent provoquer la mise à feu de poudre ou des fumées.
- Maintenir les enfants et les passants à distance pendant l'actionnement d'un outil électrique. Les distractions peuvent faire perdre le contrôle de l'outil.

2) SECURITE ELECTRIQUE

- La fiche de l'outil électrique doit correspondre à la prise. Ne jamais modifier la fiche en aucune façon. Ne pas utiliser de fiches adaptatrices avec des outils électriques dotés de mise à la terre (à la masse). Des fiches non modifiées et des prises correspondantes réduisent le risque de secousse électrique.
- Eviter le contact du corps avec les surfaces mises à la terre ou à la masse tels que tubes, radiateurs, cuisines et réfrigérateurs. Si le corps est à terre ou à la masse, le risque de secousse électrique augmente.
- Ne pas exposer les outils électriques à la pluie

et ne pas les utiliser dans des endroits humides. L'entrée d'eau dans un outil électrique augmente le risque de secousse électrique.

d) Ne pas maltraiter le câble. Ne jamais utiliser le câble pour transporter, tirer ou débrancher de la prise de réseau l'outil électrique. Maintenir le câble à distance de la chaleur, de l'huile, de bords coupants ou de pièces en mouvements. Des câbles endommagés ou entortillés augmentent le risque de secousse électrique.

e) Quand on actionne un outil électrique à l'extérieur, utiliser un câble d'extension adapté à l'utilisation en extérieur. L'utilisation d'un câble adapté réduit le risque de secousse électrique.

3) SECURITE PERSONNELLE

a) Ne jamais se distraire, contrôler ce qu'on est en train de faire et faire preuve de bon sens quand on actionne des outils électriques. Ne pas actionner l'outil quand on est fatigué ou sous l'influence de drogues, d'alcool ou de médicaments. Un moment de distraction pendant l'actionnement d'outils électriques peut donner lieu à de sérieuses lésions personnelles.

b) Utiliser des équipements de sécurité. Toujours porter des protections pour les yeux. L'utilisation appropriée d'équipements de sécurité tels que masques anti-poussières, chaussures de sécurité antidérapantes, casque de sécurité, ou de protections pour les oreilles réduit la possibilité de subir des lésions personnelles.

c) Eviter les mises en marche accidentelles. S'assurer que l'interrupteur est en position Off avant de le raccorder au réseau électrique. Transporter les outils électriques avec le doigt sur l'interrupteur ou les raccorder au réseau avec l'interrupteur en position On peut provoquer des accidents.

d) Enlever toute clé de réglage avant d'allumer l'outil électrique. Une clé laissée fixée à une partie pivotante de l'outil électrique peut provoquer des lésions personnelles.

e) Ne pas se déséquilibrer. Toujours conserver une position et un équilibre appropriés. Ceci permet de mieux contrôler l'outil électrique dans des situations imprévues.

f) S'habiller de façon appropriée. Ne pas porter de vêtements larges ou des bijoux. Garder les cheveux, les vêtements et les gants éloignés des parties en mouvement. Les vêtements larges, les bijoux ou les cheveux longs peuvent se prendre dans les parties en mouvement.

g) S'il est prévu de raccorder à l'installation des dispositifs pour l'extraction et la récolte de poussière, s'assurer qu'ils soient raccordés et utilisés de façon appropriée. L'utilisation de ces dispositifs peut réduire les risques liés à la poussière.

4) UTILISATION ET ENTRETIEN DES OUTILS ELECTRIQUES

a) Ne pas forcer l'outil électrique. Utiliser l'outil électrique adapté à l'opération à effectuer. L'outil électrique approprié permet d'effectuer le travail avec une plus grande efficacité et une plus grande sécurité

sans être contraint de dépasser les paramètres d'utilisation prévus.

b) Ne pas utiliser l'outil électrique si l'interrupteur de mise en marche et d'extinction ne s'actionne pas correctement. Tout outil électrique qui ne peut pas être contrôlé par l'interrupteur est dangereux et doit être soumis à des réparations.

c) Déconnecter la fiche du réseau d'alimentation avant d'effectuer tout réglage, changer les accessoires ou ranger les outils électriques. Ces mesures de sécurité préventive réduisent le risque de mise en route accidentelle de l'outil électrique.

d) Ranger les outils électriques inutilisés hors de portée des enfants et ne pas en permettre l'utilisation à des personnes inexpérimentées ou qui ne connaissent pas ces instructions. Les outils électriques sont dangereux s'ils sont utilisés par des personnes inexpérimentées.

e) Effectuer l'entretien nécessaire sur les outils électriques. Vérifier le possible mauvais alignement ou le blocage des parties en mouvement, la cassure des pièces ou tout autre condition qui pourrait influencer le fonctionnement des outils électriques. S'il est endommagé, faire réparer l'outil électrique avant de l'utiliser. De nombreux accidents sont justement provoqués par le mauvais état d'entretien des outils électriques.

f) Conserver propres et aiguisés les outils de découpage. Des outils de découpage en bon état d'entretien et avec des bords de découpage aiguisés risquent les blocages avec une moindre probabilité et sont plus faciles à contrôler.

g) Utiliser l'outil électrique, les accessoires et les pointes etc., en se conformant avec ces instructions et à la façon prévue pour le type particulier d'outil électrique, en tenant compte des conditions de travail et de l'opération à effectuer. L'utilisation de l'outil électrique pour des opérations différentes de celles prévues peut donner lieu à des situations dangereuses.

5) ASSISTANCE

a) Faire réparer l'outil électrique uniquement par des techniciens qualifiés et utiliser uniquement des pièces de rechange identiques.

Ceci garantit la sécurité constante de l'outil électrique.

4 INSTALLATION

4.1 EMBALLAGE

Au moment de l'achat, l'outil complet d'accessoires et de notice technique est fourni dans un emballage en carton (ou dans une mallette en métal) de dimensions et d'épaisseur adéquates à l'utilisation pour laquelle ces outils ont été prévus. Prenez en soin, il vous servira pour votre travail.

4.2 INSTALLATION

Les conditions du milieu, la température, l'humidité, l'éclairage, un emplacement correct et une bonne hygiène de la zone de travail sont des paramètres importants pour votre sécurité personnelle et le rendement de l'outil lui-même. Tenez- en compte,

vous travaillerez mieux et plus en sécurité.

4.3 BRANCHEMENT ELECTRIQUE

Avant de brancher l'outil sur le réseau d'alimentation ou sur le transformateur d'isolation, s'assurer qu'il est conforme aux normes en vigueur dans le pays d'utilisation et que son voltage et sa fréquence correspondent aux indications de la plaque du constructeur. Pour l'utilisation de rallonges, s'assurer que la section des câbles est adaptée à leur longueur. Si l'on utilise des rallonges enroulables, s'assurer que la rallonge est

ATTENTION

L'interrupteur de ces outils est équipé d'un système de blocage qui permet de travailler pendant de longues périodes sans qu'il y ait nécessité de le maintenir sous pression.

Avant d'insérer la fiche dans la prise de courant contrôler que le système de blocage de l'interrupteur soit déclenché. Si vous n'utilisez pas l'outil pendant une certaine période de temps rappelez-vous de toujours déclencher le système de blocage.

4.4 POSTE DE TRAVAIL

L'outil que vous venez d'acheter est un outil électrique portable.

Compte-tenu de sa conformation, son poids et sa maniabilité, il est indiqué pour un seul utilisateur. Dans les conditions d'utilisation normale, l'opérateur tient fermement l'outil par les deux poignées.

ATTENTION, garder toujours les mains loin du plateau.

5 REGLAGE

L'outil fourni par le fabricant est conforme à des paramètres standards.

6 FONCTIONNEMENT ET UTILISATION

6.1 CONSTANT ELECTRONIC

La version TP115/350VE est équipée d'un circuit électronique qui permet de maintenir le nombre de tours moteur constant quel que soit le type d'usinage, pour vous permettre de réaliser votre travail dans les meilleures conditions possibles.

6.2 UTILISATIONS

Grâce au nombre de tours moteur et à l'effet du constant electronic, la version TP115/350VE est particulièrement indiquées pour le ponçage des surfaces métalliques et pour les travaux de carrosserie.

6.3 MISE EN SERVICE ET MODE D'EMPLOI

La machine est fournie prête à l'emploi: il suffit d'alimenter le plateau avec du papier abrasif.

On peut utiliser des feuilles déjà percées, ou bien percer des feuilles normales avec le perce-papier en dotation (pour les modèles AS, avec aspiration des copeaux). Pour le fixage du papier abrasif, procéder comme suit (fig. 4-5):

1) Ouvrir une pince et introduire la feuille de papier

abrasif dans la bonne position.

2) Tendre la feuille de papier abrasif sur la base de l'outil. 3) Ouvrir la seconde pince et introduire l'autre extrémité du papier abrasif.

S'assurer que la feuille soit bien fixée et recouvre toute la base de l'outil.

ATTENTION - En appuyant davantage sur la poignée, on n'augmente pas forcément la vitesse du ponçage, mais on risque de provoquer une surcharge du moteur avec pour conséquence une baisse de rendement.

6.4 PAPIER ABRASIF

N'utiliser que du papier abrasif de qualité pour améliorer les performances de la machine et réduire les temps de travail.

Pour les opérations de dégrossissage qui exigent l'élimination d'une grosse quantité de matières, utiliser de préférence des feuilles gros grain 40 - 60 - 80. Pour les finitions, utiliser des feuilles avec grain de 150 à 320.

6.5 ASPIRATION DES COPEAUX (FIG. 4)

Pour que la zone de travail reste propre et pour éviter de travailler dans la poussière, il est possible d'utiliser les aspirateurs «STARMIX» VCF20/1000, VCF32/1200, VCF45/1400.

Les aspirateurs **Felisatti** s'adaptent aussi à ces outils.

6.6 UTILISATION INCORRECTE

L'outil que vous venez d'acheter est indiqué pour les seules fonctions mentionnées dans cette notice.

Tout autre type de d'utilisation est strictement interdit.

6.7

ATTENTION! - Le contact ou l'inhalation des poussières de travail peuvent être dangereux pour l'opérateur ou pour ceux qui se trouvent à proximité!

Il faut une attention particulière dans le polissage du bois ou de surfaces peintes avec des peintures au plomb à cause des poussières dangereuses qui sont produites.



L'utilisation de lunettes de protection et de masques anti-poussières est conseillée.

7

ENTRETIEN

Un contrôle régulier réduira le besoin d'entretien et maintiendra votre outil en bonnes conditions de travail: les coussinets sont graissés pour la durée de vie de l'outil.

Pendant l'utilisation, le moteur doit toujours être bien ventilé. Éviter donc de poser les mains sur les orifices de la ventilation. Après chaque utilisation, débrancher l'outil et bien le nettoyer.

7.1 ECOULEMENT

A la fin de la vie de la machine, ou quand elle ne peut pas être réparée, s'assurer de l'écouler selon les normes en vigueur dans le pays où elle est utilisée,

et toujours par personnel spécialisé et autorisé pour ce but.

En tout cas:

- Ne disperser pas dans le milieu;
- Ne mettre pas en commun avec les ordures solides;
- S'adresser aux centres spéciales de recyclage.

8

REPLACEMENT DES PIÈCES

ATTENTION - Avant d'effectuer tout remplacement de pièce, débrancher d'abord l'outil de la prise de courant.

8.1 BROSSES

Remplacer les brosses au bout de 150-200 heures de travail environ ou lorsque leur longueur est inférieure à 5-6 mm.

ATTENTION - Pour un bon fonctionnement de l'outil, remplacer toujours les brosses par couple et non pas individuellement. Utiliser exclusivement des brosses Felisatti.

ATTENTION - Pour effectuer cette opération, s'adresser à un service d'assistance technique autorisé.

ATTENTION - Après le montage des brosses neuves, faire fonctionner le moteur à vide pendant au moins 5 minutes.

8.2 REMPLACEMENT DU CÂBLE D'ALIMENTATION

Contrôler les conditions du câble électrique: si nécessaire, le faire remplacer par un service d'assistance technique autorisé.

CE DÉCLARATION DE CONFORMITÉ

Nous déclarons sous notre seule responsabilité que les produits **FELISATTI** décrits dans ce manuel sont conformes à la Norme EN 60745, à la directive machine 98/37/CE et modifications, aux 2006/95/CE et 93/68/CEE et, en ce qui concerne la compatibilité électromagnétique, à la directive 89/336/CEE, aux Normes EN 55014.1, EN 55014.2, EN 61000.3.2, EN 61000.3.3 et EN 50366.

Jordi Carbonell

Santiago López

Tous droits de modifications techniques réservés



ISTRUZIONI PER L'USO PER LEVIGATRICI ORBITALI

INTRODUZIONE

Tutti gli utensili portatili FELISATTI sono conformi alla Norma EN 60745, alla direttiva macchine 98/37/CE e successive modifiche, alle 2006/95/CE e 93/68/CEE e, per ciò che attiene alla compatibilità elettromagnetica, alla direttiva 89/336/CEE, alle Norme EN 55014.1, EN 55014.2, EN 61000.3.2, EN 61000.3.3 e EN 50366.

CE Il Marchio **CE** apposto sull'utensile ne garantisce la conformità.

Se utilizzato con cura e sottoposto a regolare manutenzione Vi durerà a lungo.

Seguite attentamente le istruzioni contenute in questo manuale, tenetelo con cura ed a portata di mano per gli eventuali controlli degli organi preposti.

ripristino delle condizioni di lavoro in questi casi si rende necessario l'intervento dell'operatore. Motore asincrono di elevata potenza e rendimento, silenzioso ad ogni regime. La macchina è provvista di freno motore, per consentire alla lama di arrestarsi entro i dieci secondi dal rilascio del pulsante dell'interruttore.

1 INFORMAZIONI GENERALI

1.0 SCOPO DEL MANUALE

Questo manuale è stato redatto dal costruttore e costituisce parte integrante del corredo dell'utensile.

Le informazioni contenute sono dirette a operatori professionisti.

Questo manuale definisce lo scopo per cui l'utensile è stato costruito e contiene tutte le informazioni necessarie per garantirne un uso sicuro e corretto; si raccomanda pertanto di consultare attentamente questo manuale prima di procedere a qualsiasi

intervento di regolazione, uso, manutenzione.

La costante osservanza delle norme in esso contenute garantisce la sicurezza dell'uomo e della macchina, l'economia di esercizio ed una più lunga durata di funzionamento dell'utensile stesso.

Fotografie e disegni sono forniti a scopo esemplificativo; il costruttore, nel perseguire una politica di costante sviluppo ed aggiornamento del prodotto, può apportare modifiche senza alcun preavviso.

1.1 IDENTIFICAZIONE DELL'UTENSILE

La targhetta logo posta sul lato sx dell'utensile identifica il modello, la targhetta dati posta sul lato dx dell'utensile contiene i riferimenti del modello ed i dati tecnici del motore e del suo costruttore.

1.1.1 IDENTIFICAZIONE

- A Targhetta logotipo
- B Targhetta dati
- C Impugnatura principale
- D Interruttore
- E Pulsante di blocco interruttore
- F Impugnatura supplementare
- G Base (Platello)
- H Aspirazione
- I Pinze fissaggio carta abrasiva

1.2 COSTRUTTORE - IDENTIFICAZIONE

Interskol Power Tools S.L.

Carretera de Sant Joan de les Abadesses

s/n17500 RIPOL, (Girona), SPAGNA

Tel. +34972700200 - Fax +34972700554

E-mail: e-mail: felisatti@interskol.es

2 CARATTERISTICHE TECNICHE

2.1 DATI TECNICI

Modello		TP517/AS	TP115/350VE
Tensione e Corrente	V / A	230V-1,4A	230V-1,6A
Frequenza	Hz	50-60	50-60
Potenza Assorbita	W	300	350
Velocità a vuoto	/min	10000	6500
Velocità a carico	/min	6000	6000
Oscillazioni a vuoto al minuto	/min	20000	13000
Orbita	mm	2	4,5
Dimensioni platello	mm	115x210	115x210
Peso	kg	2,9	2,9
Pressione sonora emessa	Lpa dB(A).(*)	75	70,4
Potenza sonora emessa	Lwa dB(A).(*)	86	83,4
Livello di vibrazioni	m/s ² (*)	4,3	4,9

* Rilievi eseguiti secondo le norme: EN60745.1 - EN60745.2.4

2.2 DOTAZIONE STANDARD

TP115/350VE - TP517/AS : Raccordo tubo aspiratore. La dotazione di serie può variare a seconda della versione acquistata e della campagna commerciale in atto.

2.3 ACCESSORI A RICHIESTA

Carta abrasiva, foracarta, aspiratore, kit per spiratore (solo per versioni predisposte per l'aspirazione).

2.4 DISPOSITIVI PER LA SICUREZZA

L'utensile è stato progettato e costruito per permettervi di operare in tutte le situazioni in assoluta sicurezza, pur tuttavia **in particolari condizioni di lavoro ricordate di adoperare adeguati guanti da lavoro ed occhiali protettivi.**

L'utensile è stato progettato e costruito per ridurre al minimo le emissioni di rumore (vedi dati tecnici al 2.1), pur tuttavia **in particolari condizioni il livello sonoro massimo sul posto di lavoro potrebbe essere superiore a 85 dBA e quindi dannoso alla salute e all'udito. In questo caso l'operatore deve proteggersi dal rumore eccessivo mediante l'utilizzo di una cuffia.**

Siate prudenti nell'affrontare il vostro lavoro e tenete in ordine il vostro utensile ne va della vostra sicurezza.

3 NORME GENERALI PER LA SICUREZZA

ATTENZIONE! Leggere tutte le istruzioni. La mancata ottemperanza a tutte le istruzioni sotto elencate può dare luogo a scosse elettriche, incendi e/o lesioni serie. Il termine "utensile elettrico" di tutte le avvertenze elencate qui sotto si riferisce agli utensili elettrici azionati mediante collegamento alla rete (con cavo) o azionati a batteria (senza cavo).

CONSERVARE QUESTE ISTRUZIONI

1) AREA DI LAVORO

a) Tenere pulita e ben illuminata l'area di lavoro. Le aree ingombre e buie possono provocare incidenti.

b) Non azionare utensili elettrici in atmosfere esplosive, ad esempio in presenza di liquidi, gas o polveri infiammabili.

Gli utensili elettrici creano scintille che possono provocare l'accensione di polveri o fumi.

c) Tenere i bambini e i passanti a distanza durante l'azionamento di un utensile elettrico. Le distrazioni possono far perdere il controllo dell'utensile.

2) SICUREZZA ELETTRICA

a) La spina dell'utensile elettrico deve corrispondere alla presa. Mai modificare la spina in alcun modo. Non utilizzare spine adattatrici con utensili elettrici dotati di messa a terra (a massa). Spine non modificate e prese corrispondenti riducono il rischio di scossa elettrica.

b) Evitare il contatto del corpo con superfici messe a terra o a massa quali tubi, radiatori, cucine e frigoriferi. Se il corpo è a terra o a massa, il rischio di scossa elettrica aumenta.

c) Non esporre gli utensili elettrici alla pioggia e non utilizzarli in luoghi umidi. L'ingresso di acqua in un

utensile elettrico aumenta il rischio di scossa elettrica.

d) Non maltrattare il cavo. Non utilizzare mai il cavo per trasportare, tirare o scollegare dalla presa di rete l'utensile elettrico. Tenere il cavo distante da calore, olio, bordi affilati o parti in movimento. Cavi danneggiati o attorcigliati aumentano il rischio di scossa elettrica.

e) Quando si aziona un utensile elettrico all'esterno, usare un cavo di estensione adeguato per l'uso in esterni. L'uso di un cavo adeguato riduce il rischio di scossa elettrica.

3) SICUREZZA PERSONALE

a) Non distrarsi mai, controllare quello che si sta facendo e usare il buon senso quando si azionano utensili elettrici. Non azionare l'utensile quando si è stanchi o sotto l'influsso di droghe, alcol o medicazioni. Un momento di disattenzione durante l'azionamento di utensili elettrici può dare luogo a serie lesioni personali.

b) Usare attrezzature di sicurezza. Indossare sempre protezioni per gli occhi. L'uso appropriato di attrezzature di sicurezza quali maschere anti-polvere, calzature di sicurezza antiscivolo, casco di sicurezza, o protezioni per l'udito riduce la possibilità di subire lesioni personali.

c) Evitare le accensioni accidentali. Assicurarsi che l'interruttore sia in posizione di spento prima di collegarlo alla rete elettrica. Trasportare utensili elettrici con il dito sull'interruttore o collegarli in rete con l'interruttore in posizione di accensione può provocare incidenti.

d) Rimuovere qualsiasi chiave di regolazione prima di accendere l'utensile elettrico. Una chiave lasciata attaccata a una parte rotante dell'utensile elettrico può provocare lesioni personali.

e) Non sbilanciarsi. Mantenere sempre la posizione e l'equilibrio appropriati. Questo permette di controllare meglio l'utensile elettrico in situazioni impreviste.

f) Vestirsi in modo appropriato. Non indossare vestiti larghi o gioielli. Tenere capelli, indumenti e guanti distanti dalle parti in movimento. Vestiti larghi, gioielli o capelli lunghi possono impigliarsi nelle parti in movimento.

g) Se sono previsti dispositivi da collegare a impianti per l'estrazione e la raccolta di polvere, accertarsi che siano collegati e usati in maniera appropriata. L'uso di questi dispositivi può ridurre i rischi correlati alla polvere.

4) USO E MANUTENZIONE DEGLI UTENSILI ELETTRICI

a) Non forzare l'utensile elettrico. Usare l'utensile adatto per l'operazione da eseguire. L'utensile elettrico appropriato permette di eseguire il lavoro con maggiore efficienza e sicurezza senza essere costretti a superare i parametri d'uso di progetto.

b) Non usare l'utensile elettrico se l'interruttore di accensione e spegnimento non si aziona correttamente. Qualsiasi utensile elettrico che non può essere controllato con l'interruttore è pericoloso e deve essere sottoposto a riparazioni.

c) Scollegare la spina dalla rete di alimentazione prima di effettuare qualsiasi regolazione, cambiare accessori o riporre gli utensili elettrici. Tali misure di sicurezza preventiva riducono il rischio di avvio accidentale dell'utensile elettrico.

d) Riporre utensili elettrici inutilizzati fuori della portata dei bambini e non permetterne l'uso a persone inesperte o che non conoscano queste istruzioni. Gli utensili elettrici sono pericolosi se utilizzati da persone inesperte.

e) Effettuare la manutenzione necessaria sugli utensili elettrici. Verificare il possibile errato allineamento o bloccaggio delle parti in movimento, la rottura delle parti e qualsiasi altra condizione che possa influenzare il funzionamento degli utensili elettrici. Se è danneggiato, far riparare l'utensile elettrico prima di utilizzarlo. Numerosi incidenti sono provocati proprio dal cattivo stato di manutenzione degli utensili elettrici.

f) Mantenere puliti e affilati gli strumenti di taglio. Strumenti di taglio in buone condizioni di manutenzione e con bordi di taglio affilati soffrono di blocchi con minore probabilità e sono più facili da controllare.

g) Usare l'utensile elettrico, gli accessori e le punte ecc., in conformità con queste istruzioni e nel modo previsto per il tipo particolare di utensile elettrico, tenendo conto delle condizioni di lavorazione e dell'operazione da eseguire. L'uso dell'utensile elettrico per operazioni diverse da quelle previste può dare luogo a situazioni pericolose.

5) ASSISTENZA

a) Far riparare l'utensile elettrico solo da tecnici qualificati e utilizzare soltanto ricambi identici. Questo garantisce la costante sicurezza dell'utensile elettrico.

4 **INSTALLAZIONE**

4.1 IMBALLO

L'utensile acquistato, completo di accessori e manuale per l'uso, è contenuto in un imballo di cartone di dimensioni idonee e di spessore idoneo all'uso previsto per questi utensili, tenetelo con cura vi servirà per il vostro lavoro.

4.2 INSTALLAZIONE

Le condizioni ambientali, la temperatura, l'umidità, l'illuminazione, la corretta dislocazione del vostro utensile e la pulizia dell'ambiente di lavoro, sono condizioni importanti ai fini della sicurezza personale e del rendimento dell'utensile stesso. Teneteli sempre sotto controllo lavorerete meglio ed in maggior sicurezza.

4.3 ALLACCIAMENTO ELETTRICO

Prima di collegare l'utensile alla rete di alimentazione o al trasformatore d'isolamento accertarsi che sia rispondente alle norme vigenti del paese di utilizzo e che il voltaggio e la frequenza corrispondano a quanto indicato nella targhetta dati.

Per l'utilizzo di prolunghe accertarsi che la sezione dei cavi sia adeguata alla lunghezza delle stesse.

Qualora si faccia uso di prolunghe avvolgibili assicurarsi del totale svolgimento per evitare il verificarsi di surriscaldamenti.

ATTENZIONE

L'interruttore di questi utensili è fornito di un pulsante di blocco, al fine di poter operare per lunghi periodi senza essere costretti a tenerlo premuto.

Prima di inserire la spina nella presa di corrente controllare che il pulsante di blocco dell'interruttore si trovi nella posizione di sblocco (sporgente).

ATTENZIONE

Quando si lascia inutilizzato l'utensile per un lungo periodo ricordarsi di lasciare sbloccato il tasto dell'interruttore.

4.4 POSTO DI LAVORO

L'utensile da voi acquistato è un elettro-utensile portatile. Per il suo impiego è previsto un solo utente, vista la sua conformazione, il suo peso e la sua maneggevolezza. L'impiego normale prevede le mani dell'operatore poste saldamente sulle due impugnature.

ATTENZIONE: tenere sempre le mani lontane dal piatrello.

5

REGOLAZIONE

L'utensile viene consegnato dal costruttore regolato secondo parametri standard.

6

FUNZIONAMENTO E USO

6.1 CONSTANT ELECTRONIC

Il TP115/350VE è dotato di un circuito elettronico che consente di mantenere costante il numero di giri del motore in qualsiasi condizione di lavoro. Vi troverete quindi sempre nelle migliori condizioni per affrontare il Vostro lavoro.

6.2 IMPIEGHI

Il TP115/350VE, per il numero di giri e per effetto del constant electronic, è un modello particolarmente indicato per la levigatura degli stucchi metallici e per lavori di carrozzeria.

6.3 MESSA IN FUNZIONE E MODO DI IMPIEGO

La macchina viene fornita già pronta per l'uso, occorre solamente inserire la carta abrasiva nel piatrello.

Per l'uso si possono impiegare carte preventivamente forate, oppure carta normale da forare con il foracarta in dotazione (per i modelli AS, con aspirazione dei trucioli).

Per il fissaggio della carta abrasiva procedere come segue (fig.4-5):

1) Aprire una pinza ed introdurre il foglio di carta abrasiva nella posizione esatta.

2) Tendere il foglio di carta abrasiva sulla base dell'utensile.

3) Aprire la seconda pinza e introdurre l'altro lato del foglio di carta abrasiva.

Controllare che il foglio sia fissato bene e ricopra tutta

la base dell'utensile.

ATTENZIONE

Una maggiore pressione sull'impugnatura non significa necessariamente una maggiore velocità di levigatura, al contrario può provocare un eccessivo sovraccarico del motore e un funzionamento meno efficiente.

6.4 CARTA ABRASIVA

Usate esclusivamente carta abrasiva di qualità: migliorano le prestazioni della macchina e riducono i tempi di lavorazione.

Per operazioni di sgrossatura che richiedono una forte asportazione di materiale usare prevalentemente carta spaziata con grana 40 - 60 - 80.

Per operazioni di finitura, usare carta spaziata con grana da 150 a 320.

6.5 ASPIRAZIONE DEI TRUCIOLI (fig. 4)

Al fine di mantenere pulito il posto di lavoro, e di lavorare in assenza di polvere, sono disponibili gli aspiratori «STARMIX» VCF20/1000, VCF32/1200, VCF45/1400.

6.6 USO IMPROPRIO

Le funzioni e l'uso dell'utensile da lei acquistato sono solo ed esclusivamente quelle indicate in questo manuale.

E' esplicitamente vietato ogni altro uso dell'utensile.

6.7

ATTENZIONE!

Il contatto o l'inalazione delle polveri di lavorazione possono essere pericolosi per l'operatore e per coloro che si trovano nelle vicinanze!

Occorre particolare attenzione nella levigatura del legno o di superfici dipinte con vernici al piombo a causa delle polveri pericolose che si producono.



Si consiglia l'uso di occhiali protettivi e di mascherine antipolvere.

7

MANUTENZIONE

Un'ispezione regolare ridurrà la necessità di manutenzione e terrà il Vostro utensile in buone condizioni di lavoro. I cuscinetti sono lubrificati per la vita dell'utensile. Il motore deve essere correttamente ventilato durante l'impiego dell'utensile. Per questo evitare di appoggiare le mani sulle bocche di ventilazione. Dopo ogni utilizzazione, distaccare l'utensile dalla corrente e pulirlo accuratamente.

7.1 SMALTIMENTO

Alla fine della vita della macchina, o quando essa non è più riparabile, assicurarsi che lo smaltimento della stessa sia effettuato secondo le norme vigenti nel paese di utilizzo, e sempre da personale specializzato ed allo scopo autorizzato.

In ogni caso:

- Non disperdere nell'ambiente;
- Non accomunare con i rifiuti solidi urbani;
- Rivolgersi agli appositi centri di riciclaggio.

8

SOSTITUZIONE PARTI

ATTENZIONE - Prima di effettuare qualsiasi operazione di sostituzione di parti disinserire la spina dalla presa di corrente.

8.1 SPAZZOLE

Le spazzole vanno sostituite dopo circa 150+200 ore di lavoro o se la loro lunghezza è inferiore a 5+6 mm.

ATTENZIONE - Per un corretto funzionamento dell'utensile sostituire sempre le spazzole a coppie e non singolarmente. Si raccomanda l'uso di ricambi originali Felisatti.

ATTENZIONE - Occorre effettuare questa operazione presso un centro di assistenza autorizzato.

ATTENZIONE - Dopo il montaggio delle nuove spazzole fare funzionare il motore per almeno 5 minuti a vuoto.

8.2 SOSTITUZIONE DEL CAVO DI ALIMENTAZIONE

Controllare che le condizioni del cavo di alimentazione siano buone ed in caso contrario farlo sostituire presso un centro di assistenza autorizzato.

CE DICHIARAZIONE DI CONFORMITÀ

Dichiariamo sotto la nostra esclusiva responsabilità che i prodotti marca FELISATTI descritti in questo manuale sono conformi ai requisiti alla Norma EN 60745, alla direttiva macchine 98/37/CE e successive modifiche, alle 2006/95/CE e 93/68/CEE e, per ciò che attiene alla compatibilità elettromagnetica, alla direttiva 89/336/CEE, alle Norme EN 55014.1, EN 55014.2, EN 61000.3.2, EN 61000.3.3 e EN 50366.

Jordi Carbonell

Santiago López

Riservato il diritto di apportare modifiche tecniche.

BETRIEBSANLEITUNG FÜR DEN VIBRATIONSSCHLEIFER

EINLEITUNG

Alle tragbaren Werkzeuge von FELISATTI entsprechen der EN-Norm 60745, der CE-Maschinenrichtlinie 98/37 und anschließenden Änderungen, 2006/95/CE und 93/68/ EWG und, was die Vorschriften zur elektromagnetischen Verträglichkeit betrifft, der EG-Richtlinie 89/336, den Normen EN 55014.1, EN 55014.2, EN 61000.3.2, EN 61000.3.3 und EN 50366.

CE Das Warenzeichen **CE** auf dem Werkzeug garantiert diese Konformität.

Eine umsichtige Verwendung und regelmäßige Wartung gewährleisten Ihnen eine lange Funktionstüchtigkeit des Werkzeuges. Folgen Sie aufmerksam den vorliegenden Bedienungsanleitungen, bewahren Sie dieses Heft sorgfältig und in greifbarer Nähe auf. Es wird Ihnen bei der Kontrolle der Maschinenteile behilflich sein.

1 ALLGEMEINE HINWEISE

1.0 ZWECK DIESES HANDBUCHES

Das vorliegende Handbuch wurde vom Hersteller erstellt und ist Bestandteil des Lieferumfangs der Maschine.

Darin enthaltenen Hinweise sind an den fachmännischen Arbeiter gerichtet.

Das Handbuch definiert den Einsatzbereich der Maschine und enthält alle, für einen sicheren und korrekten Betrieb erforderlichen Hinweise; diese Anleitungen sind daher vor jeglichem Eingriff für Einstellung, Gebrauch oder Wartung sorgfältig

durchzulesen.

Das generelle Einhalten der vorliegenden Hinweise garantieren die Sicherheit für Personen und Maschine, die Wirtschaftlichkeit beim Einsatz und eine lange Haltbarkeit der Maschine selbst.

Abbildungen und Zeichnungen dienen als Beispiele; Der Hersteller behält sich im Rahmen seiner konstanten Entwicklung und Erneuerung des Produkts, jederzeit das Recht vor, ohne Voranmeldung Änderungen anzubringen.

1.1 IDENTIFIKATION DER MASCHINE

Das Schild mit dem Logo auf der linken Seite der Maschine gibt das Modell an, das Typenschild auf der rechten Seite gibt die Bezugsdaten der Maschine und die technischen Daten von Motor und Hersteller an.

1.1.1 IDENTIFIKATION

- A LOGOTYPE
- B DATENSCHILD
- C HAUPTGRIFF
- D BETRIEBSSCHALTER
- E SPERRTASTE DAUERBETRIEB
- F SEITENGRIF
- G GRUNDPLATTE (Schleifplatte)
- H SAUGSTUTZEN
- I SPANNZANGE SCHLEIFPAPIERO

1.2 HERSTELLER - IDENTIFIKATION

Interskol Power Tools S.L.

Carretera de Sant Joan de les Abadesses
s/n17500 RIPOL, (Girona), SPANIEN

Tel. +34972700200 - Fax +34972700554

E-mail: e-mail: felisatti@interskol.es

2 TECHNISCHE EIGENSCHAFTEN

2.1 TECHNISCHE DATEN

Modell		TP517/AS	TP115/350VE
Spannung und Strom	V / A	230V-1,4A	230V-1,6A
Frequenz	Hz	50-60	50-60
Leistungsaufnahme	W	300	350
Drehzahl Leerlauf	/min	10000	6500
Drehzahl Lastlauf	/min	6000	6000
Leerlaufschwingungen	/min	20000	13000
Umlauf	mm	2	4,5
Ausmaße Schleifplatte	mm	115x210	115x210
Gewicht	kg	2,9	2,9
Geräuschdruck	Lpa dB(A).(*)	75	70,4
Geräuschpegel Lwa dB(Lwa dB(A).(*)	86	83,4
Schwingungspegel	m/s ² (*)	4,3	4,9
* Messungen nach den Normen:: EN60745.1 - EN60745.2.4			

2.2 LIEFERUMFANG

TP115/350VE - TP517/AS : Absaugschlauch

Der serienmäßige Lieferumfang kann je nach erworbenem Modell und entsprechend der aktuellen Verkaufsaktion variieren.

2.3 ZUBEHÖR AUF WUNSCH

Schleifpapier, Papierlocher, Absauger, Absaugerbausatz (nur für Versionen, die für eine Absaugung angelegt sind).

2.4 SICHERHEITSEINRICHTUNGEN

Die Maschine ist mit besonderem Augenmerk für die maximale Sicherheit in allen Arbeitssituationen erdacht und gebaut. Die Verwendung von Arbeitshandschuhen und Schutzbrillen ist jedoch in jedem Fall erforderlich.

Die Geräuschentwicklung wurde minimal gehalten (siehe Tabelle techn. Daten 2.1), die jedoch unter bestimmten Arbeitsbedingungen 85 dBA übersteigen kann. In diesem Fall muß sich der Bediener durch einen Ohrenschutz vor zu großer Lärmbelastung schützen.

Wir empfehlen im Interesse Ihrer Sicherheit, umsichtig zu arbeiten und das Gerät sorgfältig aufzubewahren.

3 ALLGEMEINE SICHERHEITSVORSCHRIFTEN

ACHTUNG! Es sind alle Anweisungen zu lesen. Bei Nichtbeachtung nachstehender Anweisungen kann es zu Stromschlägen, Bränden und/oder schweren Verletzungen kommen. Der Begriff „Elektrowerkzeug“ in allen untenstehenden Hinweisen bezieht sich auf die netz- (mit Kabel) oder batteriebetriebenen (drahtlos) Elektrowerkzeuge.

DIESE ANWEISUNGEN AUFBEWAHREN!

1) ARBEITSBEREICH

a) Arbeitsbereich sauber halten und gut ausleuchten. Versperrte und dunkle Bereiche können zu Unfällen führen.

b) Bei Explosionsgefahr, z.B. in unmittelbarer Nähe von Flüssigkeiten, Gas oder brennbarem Pulver, dürfen Elektrowerkzeuge nicht verwendet werden. Die nämlich dadurch entstehenden Funken können Pulver oder Rauch entzünden.

c) Kinder und Passanten bei Benutzen des Elektrowerkzeugs fernhalten. Bei Ablenkung kann die Kontrolle des Elektrowerkzeugs verloren gehen.

2) ELEKTROSICHERHEIT

a) Der Stecker des Elektrowerkzeugs sollte zur Stromdose passen. Stecker in keinem Fall ändern. Es sollten keine Steckeradapter bei geerdeten Elektrowerkzeugen verwendet werden. Bei nicht modifizierten Steckern und entsprechenden Stromdosen verringert sich die Stromschlaggefahr.

b) Körperkontakt mit geerdeten Oberflächen, wie Rohren, Heizkörpern, Wohnküchen und Kühlschränken vermeiden! Wenn der Körper die Erdung oder Masse berührt, ist die Stromschlaggefahr größer.

c) Elektrowerze dürfen nicht dem Regen ausgesetzt werden und in feuchten Lokalen eingesetzt werden.

Bei Durchtreten von Wasser in ein Elektrowerkzeug wächst die Stromschlaggefahr.

d) Kabel nicht mißhandeln. Zum Tragen, Schleppen oder Herausziehen des Elektrowerkzeugs aus der Stromdose in keinem Fall das Kabel verwenden! Kabel von Wärmequellen, Öl, spitzen Kanten oder Bewegteilen entfernt halten. Beschädigte oder verdrehte Kabel erhöhen das Stromschlagrisiko.

e) Bei Verwenden eines Elektrowerkzeugs im Freien sollte ein passend langes Kabel für den Einsatz im Freien verwendet werden. Der Einsatz eines passenden Kabels mindert das Stromschlagrisiko.

3) PERSÖNLICHE SICHERHEIT

a) Sich niemals ablenken lassen. Immer die Arbeit beaufsichtigen und aufmerksam vorgehen. Bei auftretender Müdigkeit und nach Einnahme von Drogen, Spirituosen oder Medikamenten das Elektrowerkzeug nicht betätigen. Die kleinste Zerstreung beim Einsatz von Elektrowerkzeugen kann zu ernst Verletzungen führen.

b) Sicherheitsausrüstung verwenden! Stets einen Augenschutz tragen! Der Einsatz passender Sicherheitsausrüstungen, wie Staubmasken, rutschfesten Sicherheitsschuhen, Sicherheitshelmen oder Ohrenschutzeinrichtungen vermindert die Verletzungsgefahr.

c) Ungewollte Entzündungen vermeiden. Sich vergewissern, daß der Schalter auf AUS steht, bevor er an das Stromnetz angeschlossen wird. Das Tragen der Elektrowerkzeuge mit dem Finger am Schalter oder das Verbinden derselben mit dem Stromnetz in eingeschalteter Stellung kann zu Unfällen führen.

d) Einstellschlüssel vor Einschalten des Elektrowerkzeugs entfernen! Sollte ein Schlüssel an einem Drehteil des Elektrowerkzeugs verbleiben, so kann dies zu Verletzungen führen.

e) Gleichgewicht behalten! Position und Gleichgewicht beibehalten. Dadurch läßt sich das Elektrowerkzeug bei unvorgesehenen Situationen besser kontrollieren.

f) Passende Kleidung tragen! Niemals weite Kleidung oder Schmuck tragen. Haare, Kleidung und Handschuh von Bewegteilen fernhalten. Weite Kleider, Schmuck oder Haare können sich an den Bewegteilen verfangen.

g) Sollten Vorrichtungen zum Entfernen und Sammeln von Staub vorgesehen sein, die anzuschließen sind, sich vergewissern, daß diese sachgerecht verbunden und eingesetzt werden. Diese Maßnahme kann die Risiken mindern, die mit dem Staub verbunden sind.

4) EINSATZ UND WARTUNG VON ELEKTROWERKZEUGEN.

a) Das Elektrowerkzeug nicht forcieren. Ein Elektrowerkzeug verwenden, das der durchzuführenden Arbeit entspricht. Bei passendem Elektrowerkzeug läßt sich die Arbeit effizienter und sicherer durchführen, ohne die vorgesehenen Projektparameter überziehen zu müssen.

b) Bei nicht korrekt funktionierendem Ein- und Ausschalter das Elektrowerkzeug nicht verwenden.

Jedes Elektrowerkzeug, das nicht kontrolliert werden kann und dessen Schalter gefährlich ist, sollte repariert werden.

c) Vor Durchführen von Einstellungen, Auswechseln von Zubehör und Verstauen von Elektrowerkzeugen stets den Stecker vom Stromnetz entfernen. Diese Sicherheitsmaßnahmen vermindern das Risiko eines ungewollten Starts des Elektrowerkzeugs.

d) Unbenutzte Elektrowerkzeuge unzugänglich für Kinder aufbewahren. Unerfahrene Personen und solche, die keine Kenntnis dieser Anweisungen haben, dürfen keinen Zugang zu den Elektrowerkzeugen haben. Elektrowerkzeuge sind gefährlich, wenn sie von unerfahrenen Personen benutzt werden.

e) Elektrowerkzeuge warten! Nachprüfen, ob Elektrowerkzeuge einwandfrei fluchten oder ob sie klemmen bzw. auf mögliche Brüche oder sonstigen Zustände achten, die die Funktion der Elektrowerkzeuge beeinträchtigen können. Bei Beschädigungen ist das Werkzeug vor dem Gebrauch zu reparieren! Viele Unfälle sind gerade vom schlechten Wartungszustand der Elektrowerkzeuge bedingt.

f) Schneidegeräte sauber und scharf halten. Schneidegeräte in gutem Wartungszustand und mit geschärften Kanten klemmen seltener und sind leicht zu kontrollieren.

g) Elektrowerkzeuge, Zubehör, Bits etc. im Sinne dieser Anweisungen bzw. der für das jeweilige Werkzeug vorgesehenen Vorschriften behandeln, wobei die Arbeitsbedingungen und die vorgesehenen Arbeiten mitzuberücksichtigen sind. Der Einsatz von Elektrowerkzeugen für zweckfremde Arbeiten können zu gefährlichen Situationen führen.

5) KUNDENDIENST

a) Elektrowerkzeug nur von fachkundigen Technikern reparieren lassen. Dabei sollten stets nur identische Ersatzteile eingesetzt werden. Nur so ist eine dauerhafte Sicherheit des Elektrowerkzeugs gewährleistet.

4 INSTALLATION

4.1 VERPACKUNG

Das erworbene Gerät, komplett mit Zubehör und Bedienungsanleitung wird im Karton (oder Metallkoffer) von geeigneten Abmessungen und Dicke geliefert, der zur Aufbewahrung vorgesehen ist.

4.2 INSTALLATION

Umweltbedingungen, Temperatur, Feuchtigkeit, Beleuchtung, sowie die korrekte Arbeitsposition Ihres Werkzeugs und die Reinhaltung des Arbeitsplatzes sind wichtige Faktoren für die persönliche Sicherheit und die Leistungsfähigkeit der Maschine. Wenn Sie diese Bedingungen berücksichtigen, erleichtern sie sich die Arbeit und haben größere Sicherheit.

4.3 ANSCHLUSS AN DAS STROMNETZ

Bevor das Werkzeug an das Stromnetz oder an den Isoliertransformator angeschlossen wird, muß festgestellt werden, ob es den geltenden Vorschriften

im Anwenderland entspricht und ob Stromspannung und -frequenz mit den Angaben auf dem Datenschild übereinstimmen.

Bei der Verwendung von Verlängerungskabeln ist zu überprüfen, ob die Kabel über einen zur Länge ausreichend bemessenen Querschnitt verfügen. Beim Einsatz von aufrollbaren Verlängerungskabeln muß überprüft werden, ob das Kabel vollständig abgerollt ist, um Überhitzungen des Kabels zu vermeiden.

ACHTUNG

Der Betriebsschalter dieser Maschinen besitzt eine Sperrtaste, um bei längerem Einsatz nicht ständig auf die Taste drücken zu müssen. Vor Einstecken des Steckers in die Steckdose sicherstellen, daß die Sperrtaste nicht eingeschaltet ist.

ACHTUNG

Wenn die Maschine für längere Zeit nicht benützt wird, die Sperrtaste immer außer Betrieb halten.

4.4 ARBEITSPLATZ

Das von Ihnen erworbene Gerät ist ein elektrisches Handwerkzeug. Durch seinen Bau, Gewicht und Handlichkeit ist für dessen Einsatz nur ein Bediener vorgesehen. Der Bediener muß die Maschine mit beiden Händen an den entsprechenden Griffen festhalten.

ACHTUNG - Mit den Händen nicht in die Nähe der Schleifplatte gelangen.

5

EINSTELLUNG

Bei Lieferung ist die Maschine bereits vom Hersteller nach Standardkenngrößen fabriksmäßig eingestellt.

6

FUNKTION UND GEBRAUCH

6.1 CONSTANT ELECTRONIC

Die Modelle TP115/350VE besitzen einen elektronischen Drehzahlregler, der bei jeder beliebigen Arbeitsbedingung die Motordrehzahl konstant hält. Dadurch werden stets die besten Arbeitsbedingungen garantiert.

6.2 EINSAZTARTEN

Die Modelle TP115/350VE eignen sich aufgrund ihrer Drehzahl und der Constant Electronic ganz besonders zum Schleifen von Metallkitt und zum Einsatz bei Karosseriearbeiten.

6.3 INBETRIEBNAHME UND GEBRAUCH

Die Maschine ist bei Lieferung einsatzbereit, es ist lediglich das Schleifpapier auf der Schleifplatte anzubringen. Es kann vorgelochtes Schleifpapier verwendet werden oder normales Schleifpapier, das mit dem beiliegenden Locher (bei den Modellen AS mit Spanabsaugung) gelocht werden muß. Zur Befestigung des Schleifpapiers, wie folgt vorgehen (Abb. 4-5-7):

1) Eine Greifzange öffnen und das Schleifpapier richtig positionieren.

2) Das Schleifpapier auf der Werkzeugplatte spannen.
3) Die zweite Greifzange öffnen und die andere Seite des Schleifpapiers einführen. Vergewissern Sie sich, daß das Blatt gut gespannt ist und die ganze Werkzeugplatte abdeckt.

ACHTUNG - Ein erhöhter Druck auf den Griff bedeutet nicht unbedingt auch erhöhte Schleifgeschwindigkeit, im Gegenteil, es kann eine Überbelastung des Motors mit folglich geringerer Leistungsfähigkeit hervorgerufen werden.

6.4 SCHLEIFPAPIER

Achten Sie darauf, nur Qualitätspapier einzusetzen: die Leistungen der Maschine werden verbessert und die Arbeitszeiten verkürzt.

Für Grobschleifen mit viel Materialabfall grobes Schleifpapier mit Körnung 40 - 60 - 80 einsetzen.

Für Feinschleifen Papier mit Körnung 150 bis 320 einsetzen.

6.5 SPANABSAUGUNG (Abb. 4)

Zur Reinhaltung des Arbeitsplatzes und für ein staubfreies Arbeiten stehen die Absauger «STARMIX» VCF20/1000, VCF32/1200, VCF45/1400.

6.6 UNSACHGEM ÄSSER EINSATZ

Das von Ihnen erworbene Gerät darf ausschließlich zu den in der vorliegenden Betriebsanleitung angeführten Funktionen eingesetzt werden.

Jeder andere Einsatz der Maschine ist verboten.

6.7

ACHTUNG!
Das Berühren oder Einatmen vom Arbeitsstaub kann für Bediener und Umstehende gefährlich sein!

Beim Polieren von Holzteilen und von mit bleihaltigen Farben lackierten Oberflächen ist besonders aufzupassen aufgrund gefährlicher Staubentwicklung.



Der Gebrauch von Schutzbrillen und Staubmasken wird empfohlen.

7

WARTUNG

Eine regelmäßige Kontrolle erspart Wartungseingriffe und hält Ihr Gerät in gutem Betriebszustand. Der Motor muß während des Einsatzes stets gut belüftet sein. Niemals die Hände auf das Belüftungsgitter legen. Nach jedem Gebrauch den Netzstecker ziehen und das Gerät sorgfältig reinigen.

7.1 ENTSORGUNG

Nach Ablauf der Betriebstüchtigkeit der Maschine oder wenn diese nicht mehr zu reparieren ist, muß das Gerät von dem dafür verantwortlichen Fachpersonal entsorgt werden.

Auf keinen Fall darf das Gerät:

- verworfen werden;
- zu den festen Abfällen der städtischen Müllentsorgung beigegeben werden;
- wenden Sie sich gegebenenfalls an die entsprechenden Entsorgungstellen.

8

ERSATZTEILE

ACHTUNG - Vor jedem Eingriff zum Ersatzteilwechsel Netzstecker ziehen.

8.1 BÜRSTEN

Die Bürsten werden nach etwa 150 - 200 Arbeitsstunden oder bei Borstenlänge von 5-6 mm ersetzt.

ACHTUNG - Für eine korrekte Funktion die Bürsten jeweils paarweise, nicht einzeln ersetzen. Wir empfehlen den Einsatz von originalen Felisatti-Bürsten.

ACHTUNG

Dieser Eingriff muß vom technischen Kundendienst durchgeführt werden.

ACHTUNG - Nach Einbau der neuen Bürsten sollte man den Motor mind. 5 Minuten leerlaufen lassen.

8.2 AUSTAUSCH DES NETZKABELS

Das Netzkabel auf seinen Zustand überprüfen und bei Beschädigung durch einen autorisierten technischen Kundendienst ersetzen lassen.

CE KONFORMITÄTSERKLÄRUNG

Wir erklären unter unserer eigenen Verantwortung, daß die in diesem Handbuch beschriebenen Produkte der Marke FELISATTI konform zu folgenden der Norm EN 60745, der CE-Maschinenrichtlinie 98/37 und anschließenden Änderungen, 2006/95/CE und 93/68/ EWG und, was die Vorschriften zur elektromagnetischen Verträglichkeit betrifft, der EG-Richtlinie 89/336, den Normen EN 55014.1, EN 55014.2, EN 61000.3.2, EN 61000.3.3 und EN 50366.

Jordi Carbonell

Santiago López

Technische Änderungen vorbehalten.

ИНСТРУКЦИЯ ПО ЭКСПЛУАТАЦИИ МАШИН РУЧНЫХ ЭЛЕКТРИЧЕСКИХ ПЛОСКОШЛИФОВАЛЬНЫХ

Все выпускаемые инструменты FELISATTI соответствуют требованиям стандарта EN 60745, директивы 98/37/ЕС, поправок с 2006/95/ЕЕС до 93/68/ЕЕС и директив электромагнитной совместимости 89/336/ЕЕС; EN 55014.2; EN 61000.3.2; EN 61000.3.3; EN 50366, а так же соответствуют техническим регламентам “О безопасности машин и оборудования” и “О безопасности низковольтного оборудования”:

CE **G** - эти знаки на инструменте гарантируют соответствие стандартам.

Производитель гарантирует длительную и надёжную работоспособность инструмента при правильном использовании и регулярном техобслуживании.

В процессе эксплуатации тщательно следуйте рекомендациям, содержащимся в этой инструкции по эксплуатации.

1 ОБЩАЯ ИНФОРМАЦИЯ

1.0 ЦЕЛЬ РУКОВОДСТВА

Это руководство, составленное изготовителем и является составной частью инструментальной оснастки, будет необходимо для профессиональных операторов. Оно содержит всю необходимую информацию для правильного и безопасного использования инструмента.

Поэтому настоятельно рекомендуется читать инструкцию перед выполнением любого вида операций: эксплуатации, регулирования или технического обслуживания.

Постоянное соблюдение рекомендаций содержащихся в руководстве, гарантирует безопасность

2 ТЕХНИЧЕСКИЕ ХАРАКТЕРИСТИКИ

2.1 ТЕХНИЧЕСКИЕ ДАННЫЕ

МОДЕЛЬ		TP517/AS	TP115/350VE
Напряжение и ток	В / А	230V-1,4А	230V-1,6А
Частота тока	Гц	50-60	50-60
Номинальная потребляемая мощность	Вт	300	350
Скорость вращения вала на холостом ходу	/мин	10000	6500
Скорость вращения вала под нагрузкой	/мин	6000	6000
Частота колебаний платформы на холостом ходу,	/мин	20000	13000
Диаметр колебательного контура	мм	2	4,5
Шлифовальная поверхность	мм	115x210	115x210
Масса	Кг	2,9	2,9
Средний уровень звукового давления,	L _{ра} dB(A).(*)	75	70,4
Средний уровень звуковой мощности, L _{wa} dB(L _{wa} dB(A).(*)	86	83,4
Средний уровень вибрации(*)	m/s ² (*)	4,3	4,9

* Исследования, проведенные в соответствии со стандартами: EN60745.1 - EN60745.2.4

оператора, сохранность и длительный срок эксплуатации инструмента.

Фотографии и рисунки приводятся в иллюстративных целях.

1.1 ОБОЗНАЧЕНИЕ ИНСТРУМЕНТА

Маркировочная табличка, расположенная на левой стороне инструмента содержит обозначение модели инструмента, на табличке справа от инструмента содержатся технические данные о двигателе и информация об изготовителе инструмента.

1.1.1 ОБОЗНАЧЕНИЯ

- A ТАБЛИЧКА МОДЕЛИ
- B ТАБЛИЧКА ИНФОРМАЦИОННАЯ
- C ОСНОВНАЯ РУКОЯТКА
- D ВЫКЛЮЧАТЕЛЬ
- E КНОПКА БЛОКИРОВКИ ВЫКЛЮЧАТЕЛЯ
- F ДОПОЛНИТЕЛЬНАЯ РУКОЯТКА
- G ОСНОВАНИЕ (ПЛАТФОРМА)
- H ПАТРУБОК ПЫЛЕОТСОСА
- I ЗАЖИМ ДЛЯ НАЖДАЧНОЙ БУМАГИ

1.2. ПРОИЗВОДИТЕЛЬ:

Interskol Power Tools S.L.
Carretera de Sant Joan de les Abadesses
s/n17500 RIPOL, (Girona), SPANIEN
Tel. +34972700200 - Fax +34972700554
E-mail: e-mail: felisatti@interskol.es

2.2 КОМПЛЕКТНОСТЬ

TP115/350VE - TP517/AS :

В комплект поставки входят: машина плоскшлифовальная TP115/350VE или патрубков пылесоса - 1 шт., руководство по эксплуатации и инструкция по безопасности - 1 шт, бумага шлифовальная - 1 лист, упаковка картонная - 1 шт. Комплектация модели может меняться изготовителем.

2.4 ПРЕДОХРАНЯЮЩИЕ СРЕДСТВА

Этот инструмент был спроектирован и изготовлен, чтобы позволить вам работать во всех ситуациях с уверенностью, но в конкретных условиях работы не забудьте использовать соответствующие перчатки и очки.

Этот инструмент был спроектирован и изготовлен, чтобы минимизировать уровень шума (см. технические данные п. 2.1), хотя при определенных условиях, максимальный уровень шума на рабочем месте может превышать 85 дБА, и поэтому вреден для здоровья и слуха. В этом случае оператор должен защитить себя от излишнего шума с помощью наушников.

Работайте аккуратно и поддерживайте инструмент в хорошем рабочем состоянии для вашей личной безопасности.

3 ОБЩИЕ ПРАВИЛА БЕЗОПАСНОСТИ

ВНИМАНИЕ! Прочтите все предупреждения и указания мер безопасности и все инструкции. Невыполнение предупреждений и инструкций может привести к поражению электрическим током, пожару и (или) серьезным повреждениям.

Сохраните все предупреждения и инструкции для того, чтобы можно было обратиться к ним в дальнейшем.

Термин “электрическая машина” используется для обозначения Вашей машины с электрическим приводом, работающей от сети (снабженной шнуром) или машины с электрическим приводом, работающей от аккумуляторных батарей.

1) БЕЗОПАСНОСТЬ РАБОЧЕГО МЕСТА

a) Содержите рабочее место в чистоте и обеспечьте его хорошее освещение. Если рабочее место загромождено или плохо освещено, это может привести к несчастным случаям.

b) Не следует эксплуатировать электрические машины в взрывоопасной среде (например, в присутствии воспламеняющихся жидкостей, газов или пыли). Машины с электрическим приводом являются источником искр, которые могут привести к возгоранию пыли или паров.

c) Не подпускайте детей и посторонних лиц к электрической машине в процессе её работы. Отвлечение внимания может привести Вас к потере контроля над машиной.

2) ЭЛЕКТРИЧЕСКАЯ БЕЗОПАСНОСТЬ

a) Штепсельные вилки электрических машин

должны подходить под розетки. Никогда не изменяйте штепсельную вилку каким-либо образом. Не используйте переходники для машин с заземляющим проводом. Использование оригинальных вилок и соответствующих розеток уменьшит риск поражения электрическим током

b) Не допускайте контакта тела с заземленными поверхностями, такими, как трубы, радиаторы, плиты и холодильники. Существует повышенный риск поражения электрическим током, если ваше тело заземлено.

c) Не подвергайте электрические машины воздействию дождя и не держите их во влажных условиях. Вода, попадая в электрическую машину, увеличивает риск поражения электрическим током.

d) Обращайтесь аккуратно со шнуром. Никогда не используйте шнур для переноса, электрической машины и извлечения вилки из розетки. Исключите воздействие на шнур тепла, масла, острых кромок или движущихся частей. Поврежденные или скрученные шнуры увеличивают риск поражения электрическим током.

e) При эксплуатации электрической машины на открытом воздухе пользуйтесь удлинителем, пригодным для использования на открытом воздухе. Применение удлинителя, предназначенного для использования на открытом воздухе, уменьшает риск поражения электрическим током.

f) Если нельзя избежать эксплуатации электрической машины во влажных условиях, используйте источник питания, снабженный устройством защитного отключения (УЗО). Использование УЗО уменьшает риск поражения электрическим током.

3) ЛИЧНАЯ БЕЗОПАСНОСТЬ

a) Будьте бдительны, следите за своими действиями и руководствуйтесь здравым смыслом при эксплуатации электрических машин. Не пользуйтесь электрическими машинами, если Вы устали, находитесь под действием наркотических средств, алкоголя или лекарственных препаратов. Кратковременная потеря концентрации внимания при эксплуатации электрических машин может привести к серьезным повреждениям.

b) Пользуйтесь индивидуальными защитными средствами. Всегда надевайте средства для защиты глаз. Защитные средства – такие, как маски, предохраняющие от пыли, обувь, предохраняющая от скольжения, каска или средства защиты ушей, используемые в соответствующих условиях – уменьшат опасность получения повреждений.

c) Не допускайте случайного включения машин. Обеспечьте, чтобы выключатель находился в положении “Отключено” перед подсоединением к сети и (или) к аккумуляторной батарее при подъеме и переноске машин. Если при переноске машины палец находится на выключателе или происходит подключение к сети машины, у которой выключатель находится в положении «Включено», это может привести к несчастному случаю.

d) Перед включением машины удалите все регу-

пировочные или гаечные ключи. Ключ, оставленный вблизи вращающихся частей машины, может привести к травмированию оператора.

е) При работе не пытайтесь дотянуться до чего-либо, всегда сохраняйте устойчивое положение. Это позволит обеспечить лучший контроль над машиной в неожиданных ситуациях.

ф) Одевайтесь надлежащим образом. Не носите свободной одежды или ювелирных изделий. Не приближайте свои волосы, одежду и перчатки к движущимся частям машины. Свободная одежда, ювелирные изделия и длинные волосы могут попасть в движущиеся части.

г) Если предусмотрены средства для подсоединения к оборудованию для отсоса и сбора пыли, обеспечьте их надлежащее присоединение и эксплуатацию. Сбор пыли может уменьшить опасности, связанные с пылью.

4) ЭКСПЛУАТАЦИЯ И УХОД ЗА ЭЛЕКТРИЧЕСКОЙ МАШИНОЙ.

а) Не перегружайте электрическую машину. Используйте электрическую машину соответствующего назначения для выполнения необходимой Вам работы. Лучше и безопаснее выполнять электрической машиной ту работу, на которую она рассчитана.

б) Не используйте электрическую машину, если её выключатель неисправен (не включает или не выключает). Любая электрическая машина, которая не может управляться с помощью выключателя, представляет опасность и подлежит ремонту.

с) Отсоедините вилку от источника питания и (или) аккумуляторную батарею от электрической машины перед выполнением каких-либо регулировок, технического обслуживания, замены принадлежностей или помещением её на хранение. Подобные превентивные меры безопасности уменьшают риск случайного включения машин.

д) Храните неработающую машину в месте, недоступном для детей, и не разрешайте лицам, не знакомым с машиной или данной инструкцией, пользоваться машиной. Электрические машины представляют опасность в руках неквалифицированных пользователей.

е) Обеспечьте техническое обслуживание электрических машин. Проверьте машину на предмет правильности соединения и закрепления движущихся частей, помолки деталей и иных несоответствий, которые могут повлиять на работу машины. В случае неисправности отремонтируйте машину перед использованием. Часто несчастные случаи происходят из-за плохого обслуживания машины.

ф) Храните режущие инструменты в заточенном и чистом состоянии. Режущие инструменты, обслуживаемые надлежащим образом, реже заклинивают, ими легче управлять.

г) Используйте электрические машины, приспособления, инструменты и пр. в соответствии с данной инструкцией с учетом условий и характера выполняемой работы. Использование машины

для выполнения операций, на которые она не рассчитана, может создать опасную ситуацию.

и) Перед началом работы машиной убедитесь, что параметры питающей электросети и рабочего инструмента, а также условия работы соответствуют требованиям настоящего паспорта.

h) Во время работы следите за исправным состоянием машины. В случае отказа, появления подозрительных запахов, характерных для горелой изоляции, сильного шума, стука, искр, следует немедленно выключить машину и обратиться в сервисный центр.

5) ОБСЛУЖИВАНИЕ

а) Все виды ремонта и технического обслуживания машины должны производиться квалифицированным персоналом уполномоченных ремонтных мастерских. При ремонте машины должны использоваться только оригинальные запасные части! Это обеспечит безопасность машины

ДОПОЛНИТЕЛЬНЫЕ МЕРЫ БЕЗОПАСНОСТИ ДЛЯ ШЛИФОВАЛЬНЫХ МАШИН

а) Держите электроинструмент за изолированные поверхности рукояток, потому что шлифовальный инструмент может коснуться шнура электропитания.

Перерезание провода, находящегося под напряжением, может привести к тому, что открытые части машины с электрическим приводом станут токопроводящими и оператор может подвергнуться поражению электрическим током.

б) Перед операцией шлифования проверьте материал, который Вы собираетесь шлифовать.

Некоторые материалы могут содержать токсичные химические вещества. Примите соответствующие меры предосторожности, чтобы избежать вдыхания или контакта с кожей таких веществ.

с) Всегда используйте соответствующую пылезастыжную маску-респиратор для защиты дыхательных путей от пыли обрабатываемых материалов.

По возможности всегда используйте пылеуловительную систему. Пыль, выделяемая при обработке материалов, содержащих кварц (SiO₂), вредна для здоровья. Обработка материалов, содержащих асбест, запрещена. При шлифовании древесины всегда используйте вытяжку или приспособление для улавливания пыли. Перед использованием плоскошлифовальной машины для обработки металла обязательно уберите пылесборники (мешки), во избежание их воспламенения от искр.

д) Всегда используйте защитные очки и средства защиты органов слуха. Воздействие шума может привести к потере слуха.

е) Данный инструмент не является водонепроницаемым, поэтому не следует использовать воду на поверхности обрабатываемой детали.

ф) Перевозите машину в фирменной упаковке.

Перед упаковкой снимите рабочий инструмент, сверните и зафиксируйте шнур.

4

МОНТАЖ

4.1 Упаковка

Инструмент покупается, в комплекте с аксессуарами и руководством по эксплуатации, находится в картонной коробке с размерами и толщиной картона соответствующими удобной и безопасной транспортировке инструмента.

4.2 Установка

Условия окружающей среды, температура, влажность, освещение, правильное расположение инструмента общая чистота - важные факторы, обеспечивающие персональную безопасность и производительности инструмента.

4.4 Электрическая сеть

Перед включением инструмента в сеть убедитесь, что параметры питающей электросети соответствуют данным, указанным на маркировочной табличке.

Если используете удлинитель, убедитесь, что он имеет соответствующее сечение провода и длину. Используя удлинитель, убедитесь, что он целиком раскручен во избежание перегрева.

ВНИМАНИЕ! Выключатель этого инструмента оснащен фиксатором, позволяющим работать инструментом в течение долгого времени без перерывов. Перед тем, как вставить вилку в розетку, убедитесь, что выключатель находится в положении «выключено».

При длительном хранении пилы выключатель должен находиться в положении «выключено».

4.5 Место работы

Инструмент, который Вы приобрели - это портативный электроинструмент. Его форма, вес и маневренность позволяют работать с ним одному оператору. Правильная эксплуатация требует, чтобы руки оператора находились на двух рукоятках.

ВНИМАНИЕ! Всегда держите руки на безопасном расстоянии от шлифовальной платформы!

5

РЕГУЛИРОВАНИЕ

Изготовитель настраивает инструмент согласно стандартным параметрам.

6

ПОДГОТОВКА К РАБОТЕ И ПОРЯДОК ВЫПОЛНЕНИЯ РАБОТЫ

Инструмент состоит из привода находящегося в пластиковом корпусе в котором вертикально установлен электродвигатель. Ось вращения электродвигателя расположена по нормали к обрабатываемой поверхности.

При вращении двигателя платформа и балансир-эксцентрик уравнивают колебания друг друга и платформа при этом совершает быстрые круговые движения с амплитудой 2 мм (для

TP517/AS), и 4,5 мм (для TP115/350VE) которые и обеспечивают шлифование. Работа инструмента осуществляется с помощью абразивного листа на бумажной или тканевой основе (шлифовальной шкурки) закреплённого на платформе G с помощью прижимов I.

Включение инструмента осуществляется нажатием на клавишу выключателя D. Конструкция выключателя обеспечивает его фиксацию во включённом положении кнопкой E.

В модели TP115/350VE установлен блок электронной стабилизации скорости шлифовки, обеспечивающий большой съём материала при любом давлении.

ВНИМАНИЕ! Перед началом работ, с помощью металлоискателя убедитесь в отсутствии электропроводок, водопроводных или газовых труб.

Перед началом эксплуатации инструмента необходимо:

- осмотреть инструмент и убедиться в его комплектности и отсутствии внешних повреждений;
- после транспортировки инструмент в зимних условиях выдержать его при комнатной температуре до полного высыхания водного конденсата.

Перед началом работы необходимо проверить:

- целостность и надежное закрепление шлифовального листа;
- надежность закрепления обрабатываемой детали;
- исправность и четкость срабатывания выключателя;
- исправность замков крепления шлифовального листа.

При необходимости установите (замените) шлифовальный лист как указано ниже и на рис. 5:

- наложите лист абразивной стороной наружу на платформу G, выровняв их края по всей длине платформы;

- с помощью клавиши освободите один прижим и заправте под него свободный край листа. Зафиксируйте лист прижимом I с помощью клавиши;

- разгладьте и натяните шлифовальный лист на платформе G, повторите предыдущую операцию для второго прижима;

- после установки листа на платформу пробейте в нем пылеотводные отверстия (если они отсутствуют) в местах, соответствующих отверстиям шлифовальной платформы G.

ВНИМАНИЕ! Нельзя включать инструмент, если он находится в контакте с обрабатываемой поверхностью, иначе можно испортить заготовку.

Включите инструмент выключателем D и зафиксируйте его кнопкой E. Дождитесь полного разгона платформы, затем опустите инструмент платформой на обрабатываемую поверхность. Крепко держа инструмент за обе рукоятки, осторожно придавите его к обрабатываемой поверх-

ности так, чтобы шлифовальный лист касался её равномерно всей площадью. Во время шлифования излишне не нажимайте на инструмент, т.к. это может стать причиной перегрузки двигателя, уменьшения срока службы шлифовального листа и снижения эффективности шлифования или полирования.

ВНИМАНИЕ! Во время работы следите за расположением шнура питания!

Во время работы периодически поднимайте инструмент над обрабатываемой поверхностью для удаления пыли и шлама с поверхности детали и абразивного листа.

Для того, чтобы содержать в чистоте рабочее место и работать в отсутствие пыли, рекомендуется использовать пылесосы «STAR MIX» моделей VCF20/1000, VCF32/1200, VCF45/1400.

Контакт или вдыхание пыли в результате обработки может быть опасным для оператора и тех, кто находится рядом!

Следует быть особенно осторожными при шлифовании дерева или окрашенных поверхностей, когда образуется опасная пыль.



Мы рекомендуем использовать защитные очки и респираторы.

По окончании работы: тщательно очистить инструмент от пыли и продуктов обработки снаружи и внутри (продуйте пылесосом).

6. 1 НАЗНАЧЕНИЕ ИСПОЛЬЗОВАНИЯ

Инструмент электрический плоскошлифовальный с осциллирующим движением шлифовальной платформы моделей **TP517/AS** ; **TP115/350VE** предназначен для сухого шлифования открытых плоских поверхностей деревянных, пластмассовых и металлических деталей, в том числе с грунтовым или лакокрасочным покрытием, а также со следами поверхностной коррозии материала. Инструмент рассчитан на бытовое и профессиональное применение. Инструмент не предназначена для обработки оштукатуренных и отшпаклеванных поверхностей.

Инструмент предназначен для эксплуатации при температуре окружающей среды от -10°C до +40°C, относительной влажности воздуха не более 80% и отсутствии прямого воздействия атмосферных осадков и чрезмерной запылённости воздуха.

Любое другое использование этого инструмента запрещено!

7 ОБСЛУЖИВАНИЕ И ОЧИСТКА

ВНИМАНИЕ! До начала работ по обслуживанию и настройке электроинструмента отсоедините вилку шнура сети от штепсельной розетки.

Для обеспечения качественной и безопасной работы следует постоянно содержать электроинструмент и вентиляционные отверстия в чистоте. В случае любого повреждения шнура питания

немедленно выключить инструмент, аккуратно, не касаясь мест повреждения, отключить его из электросети. Замена шнура производится только персоналом уполномоченных мастерских.

7.1. ПРАВИЛА ПО УХОДУ И ХРАНЕНИЮ

Рекомендуется хранить инструмент в сухом, проветриваемом помещении при температуре не ниже +5°C.

7.2. ВОЗМОЖНЫЕ НЕИСПРАВНОСТИ.

Если при нажатой клавише выключателя электродвигатель не работает, возможно:

неисправен выключатель;
обрыв проводов сетевого шнура;
загрязнён коллектор;
изношены или повреждены щётки.

Если при включении из вентиляционных окон появляется дым и запах горячей изоляции, возможно:

межвитковое замыкание обмоток якоря или статора.

Если образуется круговой огонь на коллекторе, возможно:

неисправность в обмотке якоря;
износ или зависание щёток.

8

УТИЛИЗАЦИЯ

Машина, отслужившая свой срок, должна утилизироваться согласно нормам, действующим в стране эксплуатации.

В других обстоятельствах:

- не выбрасывайте машину вместе с бытовым мусором;
- рекомендуется обращаться в специализированные пункты вторичной переработки сырья.



ДЕКЛАРАЦИЯ О СООТВЕТСТВИИ

Настоящим мы заявляем что все выпускаемые инструменты FELISATTI соответствуют требованиям стандарта EN 60745, директивы 98/37/EC, поправок с 2006/95/EEC до 93/68/EEC и директив электромагнитной совместимости 89/336/EEC; EN 55014.2; EN 61000.3.2; EN 61000.3.3; EN 50366, а так же соответствуют техническим регламентам "О безопасности машин и оборудования" и "О безопасности низковольтного оборудования".

Jordi Carbonell

Santiago López

Мы оставляем за собой право на внесение технических изменений.



Interskol Power Tools S.L.
Carretera de Sant Joan de les Abadesses s/n17500 RIPOLL, (Girona), SPAIN

Tel +34972700200

Fax +34972700554

e-mail: felisatti@interskol.es