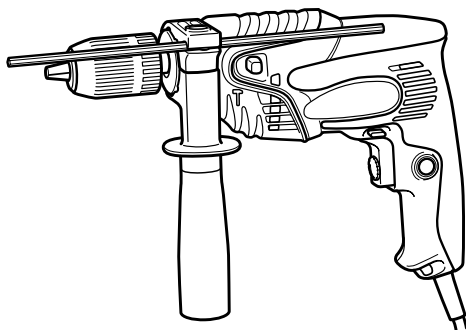


HITACHI

Impact Drill
Schlagbohrmaschine
Κρουστικό δραπανο
Wiertarka Udarowa
Ütvefúrógép
Пříklepová vrtačka
Darbeli Matkap
Ударная дрель

FDV 16VB2

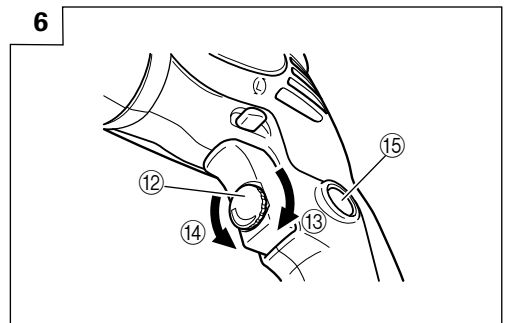
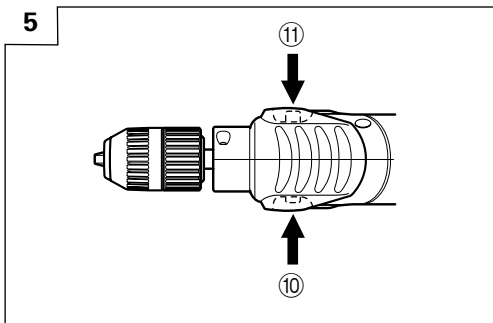
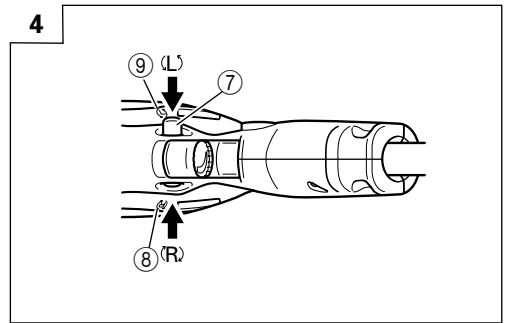
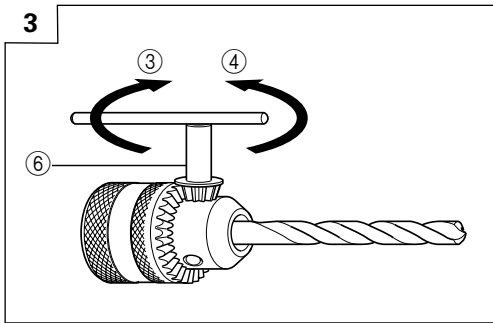
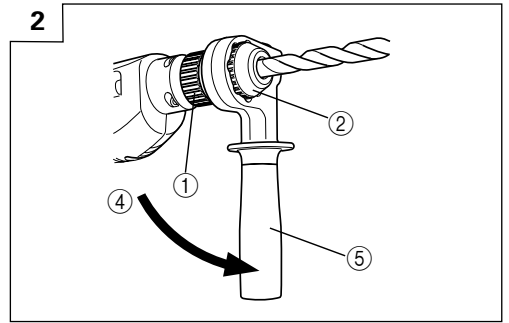
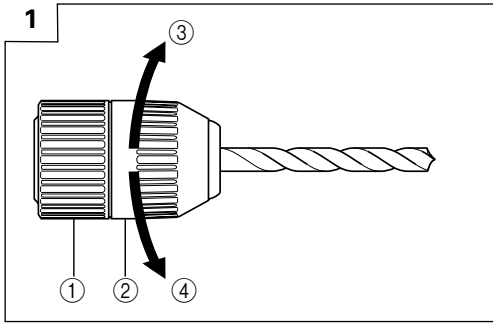


Read through carefully and understand these instructions before use.
Diese Anleitung vor Benutzung des Werkzeugs sorgfältig durchlesen und verstehen.
Διαβάστε προσεκτικά και κατανοήστε αυτές τις οδηγίες πριν τη χρήση.
Przed użytkowaniem należy dokładnie przeczytać niniejszą instrukcję i zrozumieć jej treść.
Használat előtt olvassa el figyelmesen a használati utasítást.
Před použitím si pečlivě přečtěte tento návod a ujistěte se, že mu dobře rozumíte.
Aleti kullanmadan önce bu kılavuza iyice okuyun ve talimatları anlayın.
Внимательно прочтите данную инструкцию по эксплуатации прежде чем пользоваться инструментом.







Handling instructions
Bedienungsanleitung
Οδηγίες χειρισμού
Instrukcja obsługi
Kezelési utasítás
Návod k obsluze
Kullanım talimatları
Инструкция по эксплуатации

Hitachi Koki



	English	Deutsch	Ελληνικά	Polski
①	Ring	Ring	Δακτύλιος	Pierścień
②	Sleeve	Manschette	Συνδετικός δακτύλιος	Tuleja
③	Tighten	Anziehen	Σφιζίτε	Dokręcanie
④	Loosen	Lösen	Χαλαρώστε	Luzowanie
⑤	Side handle	Seitengriff	Πλευρική λαβή	Uchwyt boczny
⑥	Chuck wrench	Futterschlüssel	Κλειδί οφικτήρα	Klucz do uchwytu wiertarskiego
⑦	Push button	Druckknopf	Κουμπί ώθησης	Przycisk
⑧	(R) mark	Markierung (R)	(R) σημάδι	Symbol (R)
⑨	(L) mark	Markierung (L)	(L) σημάδι	Symbol (L)
⑩	Impact	Schlagbohre	Κρούση	Uderzenia
⑪	Rotation	Bohren	Περιστροφή	Obrot
⑫	Speed control dial	Drehzahlkala	Καντράν ελέγχου ταχύτητας	Pokrętko kontroli prędkości
⑬	High speed	Hohe Drehzahl	Υψηλή ταχύτητα	Duża prędkość
⑭	Low speed	Niedrige Drehzahl	Χαμηλή ταχύτητα	Mała prędkość
⑮	Stopper	Stopper	Στόπερ	Zatyczka

	Magyar	Čeština	Türkçe	Русский
①	Gyűrű	Kruh	Halka	Кольцо
②	Karmantyú	Objímka	Manşon	Гильза
③	Megszorítani	Utažení	Sıkıştırma	Затянуть
④	Kiengedni	Povolení	Geçsetme	Ослабить
⑤	Oldalfogantyú	Boční držadlo	Yan kol	Боковая рукоятка
⑥	Tokmánykulcs	Klíč sklíčidla	Mandren anahtarı	Ключ патрона
⑦	Nyomógomb	Tlačítko	Kilit iğnesi	Нажимная кнопка
⑧	(R) - jobbra forgásirány-jelölés	Znak pravého chodu (R)	(R) işareti	Знак (R) – влево
⑨	(L) - jobbra forgásirány-jelölés	Znak levého chodu (L)	(L) işareti	Знак (L) – влево
⑩	Terhelés	Přiklep	Darbe	Удар
⑪	Forgás	Rotace	Devir	Вращение
⑫	Fordulatszám szabályzó	Číselník volby rychlosti	Hız kontrol düğmesi	Диск регулировки скорости
⑬	Magas fordulatszám	Vysoká rychlost	Yüksek hız	Высокая скорость
⑭	Alacsony fordulatszám	Nizká rychlost	Düşük hız	Низкая скорость
⑮	Ütköző	Zarážka	Derinlik mesnedi	Стопор

	<p>Symbols ⚠ WARNING The following show symbols used for the machine. Be sure that you understand their meaning before use.</p>	<p>Symbole ⚠ WARNUNG Die folgenden Symbole werden für diese Maschine verwendet. Achten Sie darauf, diese vor der Verwendung zu verstehen.</p>	<p>Σύμβολα ⚠ ΠΡΟΣΟΧΗ Τα παρακάτω δείχνουν τα σύμβολα που χρησιμοποιούνται στο μηχανήμα. Βεβαιωθείτε ότι κατανοείτε τη σημασία τους πριν τη χρήση.</p>	<p>Symbole ⚠ OSTRZEŻENIE Następujące oznaczenia to symbole używane w instrukcji obsługi maszyny. Upewnij się, że rozumiesz ich znaczenie zanim użyjesz narzędzia.</p>
	<p>Read all safety warnings and all instructions. Failure to follow the warnings and instructions may result in electric shock, fire and/or serious injury.</p>	<p>Lesen Sie sämtliche Sicherheitshinweise und Anweisungen durch. Wenn die Warnungen und Anweisungen nicht befolgt werden, kann es zu Stromschlag, Brand und/oder ernsthaften Verletzungen kommen.</p>	<p>Διαβάστε όλες τις προειδοποιητικές ασφαλείας και όλες τις οδηγίες. Η μη τήρηση των προειδοποιήσεων και οδηγιών μπορεί να προκαλέσει ηλεκτροπληξία, πυρκαγιά και/ή σοβαρό τραυματισμό.</p>	<p>Należy dokładnie zapoznać się ze wszystkimi ostrzeżeniami i wskazówkami bezpieczeństwa. Nieprzestrzeganie ostrzeżeń oraz wskazówek bezpieczeństwa może spowodować porażenie prądem elektrycznym, pożar i/lub odniesienie poważnych obrażeń.</p>
	<p>Only for EU countries Do not dispose of electric tools together with household waste material! In observance of European Directive 2002/96/EC on waste electrical and electronic equipment and its implementation in accordance with national law, electric tools that have reached the end of their life must be collected separately and returned to an environmentally compatible recycling facility.</p>	<p>Nur für EU-Länder Werfen Sie Elektrowerkzeuge nicht in den Hausmüll! Gemäß Europäischer Richtlinie 2002/96/EG über Elektro- und Elektronik-Altgeräte und Umsetzung in nationales Recht müssen verbrauchte Elektrowerkzeuge getrennt gesammelt und einer umweltgerechten Wiederverwertung zugeführt werden.</p>	<p>Μόνο για τις χώρες της ΕΕ Μην πετάτε τα ηλεκτρικά εργαλεία στον κάδο οικιακών απορριμμάτων! Σύμφωνα με την ευρωπαϊκή οδηγία 2002/96/ΕΚ περί ηλεκτρικών και ηλεκτρονικών συσκευών και την ενσωμάτωσή της στο εθνικό δίκαιο, τα ηλεκτρικά εργαλεία πρέπει να συλλέγονται ξεχωριστά και να επιστρέφονται για ανακύκλωση με τρόπο φιλικό προς το περιβάλλον.</p>	<p>Dotyczy tylko państw UE Nie wyrzucaj elektronarzędzi wraz z odpadami z gospodarstwa domowego! Zgodnie z Europejską Dyrektywą 2002/96/WE w sprawie zużytego sprzętu elektrycznego i elektronicznego oraz dostosowaniem jej do prawa krajowego, zużyte elektronarzędzia należy posegregować i zutylizować w sposób przyjazny dla środowiska.</p>
	<p>Jelölések ⚠ FIGYELEM Az alábbiakban a géphez alkalmazott jelölések vannak felsorolva. A gép használatá előtt feltétlenül ismerje meg ezeket a jelöléseket.</p>	<p>Symbole ⚠ UPOZORNĚNÍ Následující text obsahuje symboly, které jsou použity na zařízení. Ujistěte se, že rozumíte jejich obsahu před tím, než začnete zařízení používat.</p>	<p>Simgeler ⚠ ΔΙΚΚΑΤ Aşağıda, bu alet için kullanılan simgeler gösterilmiştir. Aleti kullanmadan önce bu simgelerin ne anlama geldiğini anladığınızdan emin olun.</p>	<p>Символы ⚠ ПРЕДУПРЕЖДЕНИЕ Ниже приведены символы, используемые для машины. Перед началом работы обязательно убедитесь в том, что Вы понимаете их значение.</p>
	<p>Olvasson el minden biztonsági figyelmeztetést és minden utasítást. A figyelmeztetések és utasítások be nem tartása áramütést, tüzet és/vagy súlyos sérülést eredményezhet.</p>	<p>Přečtete si všechna varování týkající se bezpečnosti a všechny pokyny. Nedodržení těchto varování a pokynů může mít za následek elektrický šok, požár a/nebo vážné zranění.</p>	<p>Tüm güvenlik uyarılarını ve tüm talimatları okuyun. Uyarılara ve talimatlara uyulmaması elektrik çarpmasına, yangına ve/veya ciddi yaralanmaya neden olabilir.</p>	<p>Прочтите все правила безопасности и инструкции. Не выполнение правил и инструкций может привести к поражению электрическим током, пожару и/или серьезной травме.</p>
	<p>Csak EU-országok számára Az elektromos kéziszerszámokat ne dobja a háztartási szeméttbe! A használt villamos és elektronikai készülékekről szóló 2002/96/EK irányelv és annak a nemzeti jogba való átültetése szerint az elhasznált elektromos kéziszerszámokat külön kell gyűjteni, és környezetbarát módon újra kell hasznosítani.</p>	<p>Jen pro státy EU Elektrické nářadí nevyhazujte do komunálního odpadu! Podle evropské směrnice 2002/96/EG o nakládání s použitými elektrickými a elektronickými zařízeními a odpovídajícími ustanovení právních předpisů jednotlivých zemí se použitá elektrická nářadí musí sbírat odděleně od ostatního odpadu a podrobit ekologicky šetrnému recyklování.</p>	<p>Sadece AB ülkeleri için Elektrikli el aletlerini evdeki çöp kutusuna atmayın! Kullanılmış elektrikli aletleri, elektrik ve elektronik eski cihazlar hakkındaki 2002/96/EC Avrupa yönetelerine göre ve bu yöneteler ulusal hukuk kurallarına göre uyarılanarak, ayrı olarak toplanmalı ve çevre şartlarına uygun bir şekilde tekrar değerlendirilmeye gönderilmelidir.</p>	<p>Только для стран ЕС Не выкидывайте электроприборы вместе с обычным мусором! В соответствии с европейской директивой 2002/96/EG об утилизации старых электрических и электронных приборов и в соответствии с местными законами электроприборы, бывшие в эксплуатации, должны утилизироваться отдельно безопасным для окружающей среды способом.</p>

GENERAL POWER TOOL SAFETY WARNINGS

WARNING

Read all safety warnings and all instructions.

Failure to follow the warnings and instructions may result in electric shock, fire and/or serious injury.

Save all warnings and instructions for future reference.

The term "power tool" in the warnings refers to your mains-operated (corded) power tool or battery-operated (cordless) power tool.

1) Work area safety

- a) **Keep work area clean and well lit.**
Cluttered or dark areas invite accidents.
- b) **Do not operate power tools in explosive atmospheres, such as in the presence of flammable liquids, gases or dust.**
Power tools create sparks which may ignite the dust or fumes.
- c) **Keep children and bystanders away while operating a power tool.**
Distractions can cause you to lose control.

2) Electrical safety

- a) **Power tool plugs must match the outlet. Never modify the plug in any way.**
Do not use any adapter plugs with earthed (grounded) power tools.
Unmodified plugs and matching outlets will reduce risk of electric shock.
- b) **Avoid body contact with earthed or grounded surfaces, such as pipes, radiators, ranges and refrigerators.**
There is an increased risk of electric shock if your body is earthed or grounded.
- c) **Do not expose power tools to rain or wet conditions.**
Water entering a power tool will increase the risk of electric shock.
- d) **Do not abuse the cord. Never use the cord for carrying, pulling or unplugging the power tool.**
Keep cord away from heat, oil, sharp edges or moving parts.
Damaged or entangled cords increase the risk of electric shock.
- e) **When operating a power tool outdoors, use an extension cord suitable for outdoor use.**
Use of a cord suitable for outdoor use reduces the risk of electric shock.
- f) **If operating a power tool in a damp location is unavoidable, use a residual current device (RCD) protected supply.**
Use of an RCD reduces the risk of electric shock.

3) Personal safety

- a) **Stay alert, watch what you are doing and use common sense when operating a power tool.**
Do not use a power tool while you are tired or under the influence of drugs, alcohol or medication.
A moment of inattention while operating power tools may result in serious personal injury.
- b) **Use personal protective equipment. Always wear eye protection.**
Protective equipment such as dust mask, non-skid safety shoes, hard hat, or hearing protection used for appropriate conditions will reduce personal injuries.
- c) **Prevent unintentional starting. Ensure the switch is in the off-position before connecting to power source and/or battery pack, picking up or carrying the tool.**

Carrying power tools with your finger on the switch or energising power tools that have the switch on invites accidents.

- d) **Remove any adjusting key or wrench before turning the power tool on.**
A wrench or a key left attached to a rotating part of the power tool may result in personal injury.
 - e) **Do not overreach. Keep proper footing and balance at all times.**
This enables better control of the power tool in unexpected situations.
 - f) **Dress properly. Do not wear loose clothing or jewellery. Keep your hair, clothing and gloves away from moving parts.**
Loose clothes, jewellery or long hair can be caught in moving parts.
 - g) **If devices are provided for the connection of dust extraction and collection facilities, ensure these are connected and properly used.**
Use of dust collection can reduce dust related hazards.
- #### 4) Power tool use and care
- a) **Do not force the power tool. Use the correct power tool for your application.**
The correct power tool will do the job better and safer at the rate for which it was designed.
 - b) **Do not use the power tool if the switch does not turn it on and off.**
Any power tool that cannot be controlled with the switch is dangerous and must be repaired.
 - c) **Disconnect the plug from the power source and/or the battery pack from the power tool before making any adjustments, changing accessories, or storing power tools.**
Such preventive safety measures reduce the risk of starting the power tool accidentally.
 - d) **Store idle power tools out of the reach of children and do not allow persons unfamiliar with the power tool or these instructions to operate the power tool.**
Power tools are dangerous in the hands of untrained users.
 - e) **Maintain power tools. Check for misalignment or binding of moving parts, breakage of parts and any other condition that may affect the power tool's operation.**
If damaged, have the power tool repaired before use.
Many accidents are caused by poorly maintained power tools.
 - f) **Keep cutting tools sharp and clean.**
Properly maintained cutting tools with sharp cutting edges are less likely to bind and are easier to control.
 - g) **Use the power tool, accessories and tool bits etc. in accordance with these instructions, taking into account the working conditions and the work to be performed.**
Use of the power tool for operations different from those intended could result in a hazardous situation.
- #### 5) Service
- a) **Have your power tool serviced by a qualified repair person using only identical replacement parts.**
This will ensure that the safety of the power tool is maintained.

PRECAUTION

Keep children and infirm persons away.

When not in use, tools should be stored out of reach of children and infirm persons.

IMPACT DRILL SAFETY WARNINGS

- 1. Wear ear protectors with impact drills.**
Exposure to noise can cause hearing loss.
- 2. Use auxiliary handles supplied with the tool.**
Loss of control can cause personal injury.

SPECIFICATIONS

Voltage (by areas)*	(110V, 115V, 120V, 127V, 220V, 230V, 240V) ~	
Power input	550 W*	
No load speed	0-2900 min ⁻¹	
Capacity	Steel	13 mm
	Concrete	16 mm
	Wood	25 mm
Weight (without cord)	1.6 kg	

*Be sure to check the nameplate on product as it is subject to change by areas.

STANDARD ACCESSORIES

- For entire area**
- (1) Side handle 1
 - (2) Depth stopper 1
- For partial areas**
- (1) Chuck wrench 1
(For drill chuck with chuck wrench)
 - (2) Plastic case 1
- Standard accessories are subject to change without notice.

APPLICATIONS

- By combined actions of ROTATION and IMPACT:
Boring holes in concrete, marble, granite, tile, and similar materials.
- By ROTATIONAL action:
Boring holes in metal, wood and plastic.
Tightening wood screws.

PRIOR TO OPERATION

- 1. Power source**
Ensure that the power source to be utilized conforms to the power requirements specified on the product nameplate.
- 2. Power switch**
Ensure that the power switch is in the OFF position. If the plug is connected to a receptacle while the power switch is in the ON position, the power tool will start operating immediately, inviting serious accident.
- 3. Extension cord**
When the work area is removed from the power source. Use an extension cord of sufficient thickness and rated capacity. The extension cord should be kept as short as practicable.
- 4. Fixing the side handle**
Attach the side handle to the mounting part.
Rotate the side handle grip in a clockwise direction to secure it.
Set the side handle to a position that is suited to the operation and then securely tighten the side handle grip.

5. Mounting and dismounting of the bit

- For keyless chuck**
- (1) Mounting the bit**
After inserting a driver bit, etc. into the keyless drill chuck, firmly grasp the ring and tighten the sleeve by turning it toward the right (in the clockwise direction as viewed from the front) (See **Fig. 1**).
○ If the sleeve becomes loose during operation, tighten it further. The tightening force becomes stronger when the sleeve is tightened.
 - (2) Dismounting the bit**
Firmly grasp the ring and loosen the sleeve by turning it toward the left (in the counterclockwise direction as viewed from the front) (See **Fig. 1**).
- NOTE**
When the sleeve does not become loose any further, fix the side handle to the sleeve. Then, strike the grip of the side handle to the left in order to loosen the sleeve, while holding the ring by hand (**Fig. 2**).

- CAUTION**
Do not fix the side handle to the ring of the keyless chuck because of a risk that doing so may damage the ring.

- For Drill chuck with chuck wrench**
- Fit the drill bit into the chuck and use the chuck wrench to secure it, tightening the chuck by each of the three holes in turn (**Fig. 3**).
- 6. Selecting the appropriate drill bit**
 - When boring concrete or stone:
Use the drill bits for concrete.
 - When boring metal or plastic:
Use an ordinary metalworking drill bit.
 - When boring wood:
Use an ordinary woodworking drill bit.
However, when drilling 6.5 mm or smaller holes, use a metalworking drill bit.
 - 7. Selecting the driver bit**
Screw heads or bits will be damaged unless a bit appropriate for the screw diameter is employed to drive in the screws.
 - 8. Check the rotational direction (Fig. 4)**
The bit rotates clockwise (viewed from the rear side) by pushing the R-side of the push button.

The L-side of the push button is pushed to turn the bit counterclockwise.

(The (L) and (R) marks are provided on the body.)

CAUTION

- Never change the direction of bit rotation during operation.

Turn the power switch OFF before changing the direction of bit rotation; otherwise, the motor will burn.

- Always use with clockwise rotation, when using it as an impact drill.

9. IMPACT to ROTATION changeover (Fig. 5)

The impact drill can be switched from IMPACT (impact plus rotation) to ROTATION (rotation only) by simply sliding the change lever. When boring concrete, stone, tile or similar board materials, slide the change lever right. The drill head impacts against the material while continuing to rotate.

When boring metal, wood or plastic, slide the change lever fully to the left. The drill simply rotates as an ordinary electric drill.

CAUTION

Do not use the impact drill in the IMPACT mode if the material can be bored by rotation only. Such action will not only reduce drill efficiency, but may also damage the drill tip.

When changing over, ensure the change lever is slid as far as it will go.

HOW TO USE

1. Pressure

Drilling will NOT be accelerated by placing heavy pressure on the drill. Such action will only result in a damaged drill bit, decreased drilling efficiency and/or shortened service life of the drill.

2. Using a large diameter drill bit

The larger the drill bit diameter, the larger the reactive force on your arm. Be careful not to lose control of the drill because of this reactive force. To maintain firm control, establish a good foothold, hold the drill tightly with both hands, and ensure that the drill is vertical to the material being drilled.

3. When drilling completely through the material

When the drill bit bores completely through the material, careless handling often results in a broken, drill bit or damage to the drill body itself due to the sudden movement of the drill. Always be alert and ready to release pushing force when drilling through the material.

4. Switch operation

- When the trigger is depressed, the tool rotates. When the trigger is released, the tool stops.
- The rotational speed of the drill can be controlled by varying the amount that the trigger switch is pulled. Speed is low when the trigger switch is pulled slightly and increases as the trigger switch is pulled more.
- The desired rotation speed can be pre-selected with the speed control dial.
Turn the speed control dial clockwise for higher speed and counterclockwise for lower speed (Fig. 6).
- Pulling the trigger and pushing the stopper, it keeps the switched-on condition which is convenient for continuous running. When switching off, the stopper can be disconnected by pulling the trigger again.

CAUTION

Drill at a maximum rotation speed when drilling wooden materials.

5. When driving wood screws

- (1) Selecting a suitable driver bit
Employ plus-head screws, if possible, since the driver bit easily slips off the heads of minus-head screws.
- (2) Driving in wood screws
 - Prior to driving in wood screws, make holes suitable for them on the wooden board. Apply the bit to the screw head grooves and gently drive the screws into the holes.
 - After rotating the screwdriver at low speed for a while until a wood screw is partly driven into the wood, squeeze the trigger more strongly to obtain optimum driving force.

CAUTION

- Exercise care in preparing a hole suitable for the wood screws taking the hardness of the wood into consideration.
Should the hole be excessively small or shallow, requiring much power to drive the screw into it, the thread of the wood screw may sometimes be damaged.
- Do not drive machine screws.

MAINTENANCE AND INSPECTION

1. Inspection the drill bit

Continued use of a worn and/or damaged drill bit will result in reduced drilling efficiency and may seriously overload the drill motor. Inspect the drill bit often and replace it with a new bit as necessary.

2. Inspecting the mounting screws

Regularly inspect all mounting screws and ensure that they are properly tightened. Should any of the screws be loose, retighten them immediately. Failure to do so could result in serious hazard.

3. Maintenance of the motor

The motor unit winding is the very "heart" of the power tool. Exercise due care to ensure the winding does not become damaged and/or wet with oil or water.

4. Servicing

Consult an authorized Service Center in the event of power tool failure.

5. Service parts list

A: Item No.
B: Code No.
C: No. Used
D: Remarks

CAUTION

Repair, modification and inspection of Hitachi Power Tools must be carried out by a Hitachi Authorized Service Center.

This Parts List will be helpful if presented with the tool to the Hitachi Authorized Service Center when requesting repair or other maintenance.

In the operation and maintenance of power tools, the safety regulations and standards prescribed in each country must be observed.

MODIFICATION

Hitachi Power Tools are constantly being improved and modified to incorporate the latest technological advancements.

Accordingly, some parts (i.e. code numbers and/or design) may be changed without prior notice.

GUARANTEE

We guarantee Hitachi Power Tools in accordance with statutory/country specific regulation. This guarantee does not cover defects or damage due to misuse, abuse, or normal wear and tear. In case of complaint, please send the Power Tool, undismantled, with the GUARANTEE CERTIFICATE found at the end of this Handling instruction, to a Hitachi Authorized Service Center.

NOTE

Due to HITACHI's continuing program of research and development, the specifications herein are subject to change without prior notice.

Information concerning airborne noise and vibration

The measured values were determined according to EN60745 and declared in accordance with ISO 4871.

Measured A-weighted sound power level: 104 dB (A).
Measured A-weighted sound pressure level: 93 dB (A).
Uncertainty KpA: 3 dB (A).

Wear hearing protection.

Vibration total values (triax vector sum) determined according to EN60745.

Impact drilling:

Vibration emission value $a_h = 24.1 \text{ m/s}^2$

Uncertainty K = 1.5 m/s²

WARNING

- The vibration emission value during actual use of the power tool can differ from the declared value depending on the ways in which the tool is used.
- To identify the safety measures to protect the operator that are based on an estimation of exposure in the actual conditions of use (taking account of all parts of the operating cycle such as the times when the tool is switched off and when it is running idle in addition to the trigger time).

ALLGEMEINE SICHERHEITSHINWEISE FÜR ELEKTROGERÄTE

⚠️ WARNUNG

Lesen Sie sämtliche Sicherheitshinweise und Anweisungen durch. Wenn die Warnungen und Anweisungen nicht befolgt werden, kann es zu Stromschlag, Brand und/oder ernsthaften Verletzungen kommen.

Bitte bewahren Sie alle Warnhinweise und Anweisungen zum späteren Nachschlagen auf.

Der Begriff „Elektrowerkzeug“ bezieht sich in den Warnhinweisen auf Elektrowerkzeuge mit Netz- (schnurgebunden) oder Akkubetrieb (schnurlos).

1) Sicherheit im Arbeitsbereich

- Sorgen Sie für einen sauberen und gut ausgeleuchteten Arbeitsbereich.**
Zugestellte oder dunkle Bereiche ziehen Unfälle förmlich an.
- Verwenden Sie Elektrowerkzeuge niemals an Orten, an denen Explosionsgefahr besteht – zum Beispiel in der Nähe von leicht entflammaren Flüssigkeiten, Gasen oder Stäuben.**
Bei der Arbeit mit Elektrowerkzeugen kann es zu Funkenbildung kommen, wodurch sich Stäube oder Dämpfe entzünden können.
- Sorgen Sie bei der Arbeit mit Elektrowerkzeugen dafür, dass sich keine Zuschauer (insbesondere Kinder) in der Nähe befinden.**
Wenn Sie abgelenkt werden, können Sie die Kontrolle über das Werkzeug verlieren.

2) Elektrische Sicherheit

- Elektrowerkzeuge müssen mit passender Stromversorgung betrieben werden.**
Nehmen Sie niemals irgendwelche Änderungen am Anschlussstecker vor.
Verwenden Sie bei Elektrowerkzeugen mit Schutzkontakt (geerdet) niemals Adapterstecker.
Stecker im Originalzustand und passende Steckdosen reduzieren das Stromschlagrisiko.
- Vermeiden Sie Körperkontakt mit geerdeten Gegenständen wie Rohrleitungen, Heizungen, Herden oder Kühlschränken.**
Bei Körperkontakt mit geerdeten Gegenständen besteht ein erhöhtes Stromschlagrisiko.
- Setzen Sie Elektrowerkzeuge niemals Regen oder sonstiger Feuchtigkeit aus.**
Wenn Flüssigkeiten in ein Elektrowerkzeug eindringen, erhöht sich das Stromschlagrisiko.
- Verwenden Sie die Anschlusschnur nicht missbräuchlich.**
Tragen Sie das Elektrowerkzeug niemals an der Anschlusschnur, ziehen Sie es nicht damit heran und ziehen Sie den Stecker nicht an der Anschlusschnur aus der Steckdose.
Halten Sie die Anschlusschnur von Hitzequellen, Öl, scharfen Kanten und beweglichen Teilen fern.
Beschädigte oder verdrehte Anschlusschnüre erhöhen das Stromschlagrisiko.
- Wenn Sie ein Elektrowerkzeug im Freien benutzen, verwenden Sie ein für den Außeneinsatz geeignetes Verlängerungskabel.**
Ein für den Außeneinsatz geeignetes Kabel vermindert das Stromschlagrisiko.
- Falls sich der Betrieb des Elektrowerkzeuges in feuchter Umgebung nicht vermeiden lässt, verwenden Sie eine Stromversorgung mit Fehlerstromschutzeinrichtung (Residual Current Device, RCD).**
Durch den Einsatz einer Fehlerstromschutzeinrichtung wird das Risiko eines elektrischen Schlages reduziert.

3) Persönliche Sicherheit

- Bleiben Sie wachsam, achten Sie auf das, was Sie tun, und setzen Sie Ihren Verstand ein, wenn Sie mit Elektrowerkzeugen arbeiten.**
Benutzen Sie keine Elektrowerkzeuge, wenn Sie müde sind oder unter Einfluss von Drogen, Alkohol oder Medikamenten stehen.
Bei der Arbeit mit Elektrowerkzeugen können bereits kurze Phasen der Unaufmerksamkeit zu schweren Verletzungen führen.
- Benutzen Sie eine persönliche Schutzausrüstung. Tragen Sie immer einen Augenschutz.**
Schutzausrüstung wie Staubmaske, rutschsichere Sicherheitsschuhe, Schutzhelm und Gehörschutz senken das Verletzungsrisiko bei angemessenem Einsatz.
- Vermeiden Sie unbeabsichtigten Anlauf. Achten Sie darauf, dass sich der Schalter in der Aus- (Off-) Position befindet, ehe Sie das Gerät mit der Stromversorgung und/oder Batteriestromversorgung verbinden, es aufheben oder herumtragen.**
Das Herumtragen von Elektrowerkzeugen mit dem Finger am Schalter oder das Herstellen der Stromversorgung bei betätigtem Schalter zieht Unfälle regelrecht an.
- Entfernen Sie sämtliche Einstellwerkzeuge (Einstellschlüssel), ehe Sie das Elektrowerkzeug einschalten.**
Ein an einem beweglichen Teil des Elektrowerkzeuges angebrachter Schlüssel kann zu Verletzungen führen.
- Sorgen Sie für einen festen Stand. Achten Sie jederzeit darauf, sicher zu stehen und das Gleichgewicht zu bewahren.**
Dadurch haben Sie das Elektrowerkzeug in unerwarteten Situationen besser im Griff.
- Kleiden Sie sich richtig. Tragen Sie keine lose Kleidung oder Schmuck. Halten Sie Haar, Kleidung und Handschuhe von beweglichen Teilen fern.**
Lose Kleidung, Schmuck oder langes Haar kann von beweglichen Teilen erfasst werden.
- Wenn Anschlüsse für Staubabsaug- und -sammelvorrichtungen vorhanden sind, sorgen Sie dafür, dass diese richtig angeschlossen und eingesetzt werden.**
Durch Entfernen des Staubes können staubbezogene Gefahren vermindert werden.

4) Einsatz und Pflege von Elektrowerkzeugen

- Überansprechen Sie Elektrowerkzeuge nicht. Benutzen Sie das richtige Elektrowerkzeug für Ihren Einsatzzweck.**
Das richtige Elektrowerkzeug erledigt seine Arbeit bei bestimmungsgemäßem Einsatz besser und sicherer.
- Benutzen Sie das Elektrowerkzeug nicht, wenn es sich nicht am Schalter ein- und ausschalten lässt.**
Jedes Elektrowerkzeug, das nicht mit dem Schalter betätigt werden kann, stellt eine Gefahr dar und muss repariert werden.
- Stecken Sie den Stecker der Stromversorgung oder Batteriestromversorgung vom Gerät ab, ehe Sie Einstellarbeiten vornehmen, Zubehörateile tauschen oder das Elektrowerkzeug verstauen.**
Solche präventiven Sicherheitsmaßnahmen verhindern den unbeabsichtigten Anlauf des Elektrowerkzeuges und die damit verbundenen Gefahren.
- Lagern Sie nicht benutzte Elektrowerkzeuge außerhalb der Reichweite von Kindern, lassen Sie nicht zu, dass Personen das Elektrowerkzeug bedienen, die nicht mit dem Werkzeug selbst und/oder diesen Anweisungen vertraut sind.**
Elektrowerkzeuge in ungeschulten Händen sind gefährlich.
- Halten Sie Elektrowerkzeuge in Stand. Prüfen Sie auf Fehlausrichtungen, sicheren Halt und Leichtgängigkeit beweglicher Teile, Beschädigungen von Teilen und auf jegliche andere Zustände, die sich auf den Betrieb des Elektrowerkzeuges auswirken können.**

Bei Beschädigungen lassen Sie das Elektrowerkzeug reparieren, ehe Sie es benutzen.

Viele Unfälle mit Elektrowerkzeugen sind auf schlechte Wartung zurückzuführen.

- f) Halten Sie Schneidwerkzeuge scharf und sauber.
Richtig gewartete Schneidwerkzeuge mit scharfen Schneidkanten bleiben weniger häufig hängen und sind einfacher zu beherrschen.
 - g) Benutzen Sie Elektrowerkzeuge, Zubehör, Werkzeugspitzen und Ähnliches in Übereinstimmung mit diesen Anweisungen – beachten Sie dabei die jeweiligen Arbeitsbedingungen und die Art und Weise der auszuführenden Arbeiten.
Der Gebrauch des Elektrowerkzeuges für andere als die vorgesehenen Anwendungen kann zu gefährlichen Situationen führen.
- 5) Service
- a) Lassen Sie Elektrowerkzeuge durch qualifizierte Fachkräfte und unter Einsatz passender, zugelassener Originalteile warten.

Dies sorgt dafür, dass die Sicherheit des Elektrowerkzeugs nicht beeinträchtigt wird.

VORSICHT

Von Kindern und gebrechlichen Personen fernhalten.
Werkzeuge sollten bei Nichtgebrauch außerhalb der Reichweite von Kindern und gebrechlichen Personen aufbewahrt werden.

SICHERHEITSHINWEISE FÜR DIE BENUTZUNG DES SCHLAGBOHRMASCHINE

1. Tragen Sie bei der Arbeit mit Schlagbohrmaschinen einen Gehörschutz.
Starke und/oder dauerhafte Lärmbelastung kann zu Hörverlust führen.
2. Benutzen Sie die mit dem Werkzeug gelieferten Zusatzgriffe.
Wenn Sie die Kontrolle über das Werkzeug verlieren, kann es zu Verletzungen kommen.

TECHNISCHE DATEN

Spannung (je nach Gebiet)*	(110V, 115V, 120V, 127V, 220V, 230V, 240V) ~	
Leistungsaufnahme	550 W*	
Leerlaufdrehzahl	0–2900 min ⁻¹	
Kapazität	Stahl	13 mm
	Beton	16 mm
	Holz	25 mm
Gewicht (ohne Kabel)	1,6 kg	

*Vergessen Sie nicht, die Produktangaben auf dem Typenschild zu überprüfen, da sich diese je nach Verkaufsgebiet ändern.

STANDARDZUBEHÖR

Für den gesamten Bereich

- (1) Handgriff 1
 - (2) Tiefenanschlag 1
- Für Teilbereiche
- (1) Bohrfutterschlüssel 1
(Für Bohrfutter mit Futterschlüssel)
 - (2) Plastikgehäuse 1
- Das Standardzubehör kann ohne vorherige Bekanntmachung jederzeit geändert werden.

ANWENDUNGEN

- Kombiniertes Betrieb von DREHUNG und STOSS:
Bohren von Löchern in Beton, Marmor, Granit, Ziegel und ähnliche Materialien.
- Betrieb durch einfache DREHUNG:
Bohren von Löchern in Metall, Holz und plastisches Material.
Anziehen von Holzschrauben.

VOR INBETRIEBNAHME

1. **Netzspannung**
Prüfen, daß die zu verwendende Netzspannung der Angabe auf dem Typenschild entspricht.
2. **Netzschalter**
Prüfen, daß der Netzschalter auf "AUS" steht. Wenn

der Stecker an das Netz angeschlossen ist, Während der Schalter auf "EIN" steht, beginnt das Werkzeug sofort zu laufen und bedeutet ernsthafte Gefahr.

3. Verlängerungskabel

Wenn der Arbeitsbereich nicht in der Nähe des Netzanschlusses liegt, ist ein Verlängerungskabel ausreichenden Querschnitts und ausreichender Nennleistung zu verwenden. Das Verlängerungskabel sollte so kurz wie möglich gehalten werden.

4. Anbringen des Handgriffes

Den Handgriff an der Halterung anbringen.
Den Griff des Handgriffs zum Befestigen im Uhrzeigersinn drehen.
Den Handgriff in eine Position stellen, die der Bedienung angemessen ist, und dann den Handgriff sicher befestigen.

5. Anbringen und Abnehmen der Werkzeugspitze

Für Schnellspann-Bohrfutter

- (1) Anbringen der Werkzeugspitze
Nach dem Einsetzen einer Schraubenzieherspitze o. sergl. oder eines entsprechenden Teils in das Schnellspann-Bohrfutter den Ring fest greifen und die Manschette durch Drehung nach rechts (im Uhrzeigersinn von vorne gesehen) festdrehen (Siehe Abb. 1).
- Sollte sich die Manschette während des Betriebs lockern, ist diese wieder festzudrehen. Eine fest zugedrehte gewährleistet erhöhte Spannkraft.

- (2) Abnehmen der Werkzeugspitze
Den Ring fest greifen und die Manschette durch Drehung nach links (gegen den Uhrzeigersinn von vorne gesehen) lösen (Siehe **Abb. 1**).

HINWEIS

Wenn sich die Buchse nicht weiter lockert, den Seitenhandgriff an der Buchse anbringen. Dann den Griff am Seitenhandgriff nach links schlagen, um die Buchse zu lösen, während der Ring von Hand gehalten wird (**Abb. 2**).

VORSICHT

Den Seitenhandgriff nicht am Ring des schlüssellosen Futters anbringen, da die Gefahr besteht, daß hierdurch der Ring beschädigt wird.

Für Bohrfutter mit Futterschlüssel

Der Bohrer wird in das Bohrfutter eingesetzt und der Bohrfutterschlüssel zum Festziehen benutzt.

Zum Festziehen der Backen wird zweckmäßigerweise der Bohrfutterschlüssel nacheinander in jedes der drei Löcher gesteckt (**Abb. 3**).

6. Wahl des geeigneten Bohrers

- Beim Bohren von Beton oder Stein: Bohrer für Beton verwenden.
- Beim Bohren von Metall oder Kunststoff: Einen normalen Metallbohrer verwenden.
- Beim Bohren von Holz: Einen normalen Holzspiralbohrer verwenden. Für Löcher von 6,5 mm oder kleiner wird ein Metallbohrer verwendet.

7. Wahl der Bohrerspitze

Die Schraubenköpfe oder die Bohrerspitze werden beschädigt falls die angewandte Bohrerspitze nicht dem Schraubendurchschnitt gemäß ist.

8. Überprüfen der Drehrichtung (Abb. 4)

Der Bohrer dreht sich im Uhrzeigersinn (gesehen von hinten), wenn die R-Seite des Druckknopfs gedrückt wird.

Wenn die L-Seite des Bohrers gedrückt wird, dreht sich der Bohrer gegen den Uhrzeigersinn. (Die Markierungen (L) und (R) befinden sich auf dem Körper der Bohrmaschine.)

VORSICHT

- Niemals die Drehrichtung einer Bohrerspitze während des Betriebs wechseln. Den Hauptschalter auf OFF abschalten bevor die Drehrichtung der Bohrerspitze gewechselt werden soll; ansonsten würde der Motor brennen.
- Immer im Uhrzeigersinn treiben, wenn das Werkzeug als Schlagbohrer gebraucht wird.

9. Umstellung von SCHLAGBOHREFUNKTION auf BOHREN (Abb. 5)

Der Schlagbohrer kann von SCHLAG (Schlag plus Drehung) auf DREHUNG (einfache Drehung) durchschieben des Wechselhebels umgestellt werden.

Zum Bohren von Beton, Stein, Kachel oder von anderen harten Material den Wechselhebel nach rechts schieben. Der Bohrerkopf schlägt gegen das Material an, während er sich weiter dreht.

Zum Bohren von Metall, Holz oder plastischem Material den Wechselhebel vollkommen nach links schieben. Dadurch wird das Werkzeug sich als gewöhnlicher elektrischer Bohrer drehen.

VORSICHT

Den Schlagbohrer nicht auf SCHLAG-Art einstellen, wenn das Arbeitsstück mit einfacher Drehung gebohrt

werden kann. Sonst würde nicht nur die Bohrleistung vermindert werden, sondern die Bohrerspitze könnte auch beschädigt werden.

Beim Umwechseln sich vergewissern, daß der Hebel so weit wie möglich geschoben wurde.

VERWENDUNG

1. Druck

Das Bohren wird nicht durch Ausübung eines starken Drucks auf den Bohrer beschleunigt. Zusätzlicher Druck führt nur zu Beschädigung am Bohrer, verminderter Bohrleistung und/oder verkürzter Lebensdauer der Bohrmaschine.

2. Verwendung eines Bohrers mit großem Durchmesser

Je größer der Bohrerdurchmesser desto stärker ist die auf den Arm rückwirkende Kraft. Man muß darauf achten, daß man aufgrund dieser rückwirkenden Kraft nicht die Kontrolle über die Bohrmaschine verliert.

Für eine gute Kontrolle ist ein sicherer Stand erforderlich, man muß die Bohrmaschine mit beiden Händen festhalten und dafür sorgen, daß die Bohrmaschine senkrecht zum Material steht, in das gebohrt wird.

3. Beim Durchbohren durch das Material

Wenn der Bohrer ganz durch das Material bohrt, führt eine unachtsame Handhabung oft zum Abbrechen des Bohrers oder einer Beschädigung des Bohrergehäuses selbst aufgrund der plötzlichen Bewegung der Bohrmaschine. Man muß immer darauf gefaßt und bereit sein, den Druck beim Durchbohren des Materials zu verringern.

4. Schalterbetätigung

- Wenn der Abzugschalter durchgedrückt wird, dreht sich das Werkzeug. Wenn der Abzugschalter losgelassen wird, hält das Werkzeug an.
- Die Drehzahl des Bohrers kann durch entsprechendes Durchziehen des Abzugschalters geregelt werden. Wenn der Abzugschalter nur leicht durchgedrückt wird, ist die Drehzahl niedrig, und sie nimmt zu, wenn der Abzugschalter stärker durchgedrückt wird.
- Die gewünschte Drehzahl kann mit der Drehzahlskala voreingestellt werden.

Drehen Sie die Drehzahlskala im Uhrzeigersinn für eine höhere Drehzahl und gegen den Uhrzeigersinn für eine niedrigere Drehzahl (**Abb. 6**).

- Wenn der Abzugschalter durchgedrückt und der Stopper gedrückt wird, bleibt die Maschine eingeschaltet, was angenehm für kontinuierliche Verwendung ist. Zum Ausschalten kann der Stopper durch erneutes Durchdrücken des Abzugschalters freigegeben werden.

VORSICHT

Beim Bohren von Holz mit maximaler Drehzahl bohren.

5. Einschrauben von Holzschrauben

- (1) Wahl einer passenden Bohrerspitze
So oft wie möglich Kreuzkopfschrauben verwenden, da die Bohrerspitze leicht von gewöhnlichen Schraubenköpfen abrutscht.
- (2) Einschrauben

- Vor dem Einschrauben von Holzschrauben passende Löcher im Holz vorbereiten die Bohrerspitze an die Schraubenkopfspalten ansetzen und die Schraube sanft ins Holz einschrauben.

- Nachdem sich der Bohrer bei kleiner Geschwindigkeit für eine Weile gedreht hat, bis die Schraube zum Teil eingeschraubt wurde, fester auf den Trigger drücken, um optimale Antriebskraft zu erreichen.

VORSICHT

- Gut darauf achten, daß die Vorbereitung eines passenden Loches für die Schraube gemäß der Härte des Holzes durchgeführt wird. Falls das Loch zu klein oder nicht tief genug sein sollte, und dadurch große Kraftanwendung zum Einschrauben erforderlich wird, kann das Schraubengewinde manchmal beschädigt werden.
- Keine Machinenschrauben einschrauben.

WARTUNG UND INSPEKTION

1. Inspektion des Bohrers

Fortgesetzte Verwendung eines stumpfen oder beschädigten Bohrers führt zu verminderter Bohrleistung und kann den Motor der Bohrmaschine erheblich überlasten. Den Bohrer regelmäßig prüfen und erforderlichenfalls durch einen neuen Bohrer ersetzen.

2. Inspektion der Befestigungsschraube

Alle Befestigungsschrauben werden regelmäßig inspiziert und geprüft, daß sie richtig angezogen sind. Wenn sich eine der Schrauben lockert, muß sie sofort wieder angezogen werden. Geschieht das nicht, kann das zu erheblicher Gefahr führen.

3. Wartung des Motors

Die Motorwicklung ist das "Herz" des Elektrowerkzeugs. Daher ist besonders sorgfältig darauf zu achten, daß die Wicklung nicht beschädigt und/oder mit Öl oder Wasser benetzt wird.

4. Instandhaltung

Im Falle eines Versagens eine autorisierte Wartungswerkstatt zu Rate ziehen.

5. Liste der Wartungsteile

- A: Punkt Nr.
- B: Code Nr.
- C: Verwendete Anzahl
- D: Bemerkungen

ACHTUNG

Reparatur, Modifikation und Inspektion von Hitachi-Elektrowerkzeugen müssen durch ein Autorisiertes Hitachi-Wartungszentrum durchgeführt werden.

Diese Teilleiste ist hilfreich, wenn sie dem Autorisierten Hitachi-Wartungszentrum zusammen mit dem Werkzeug für Reparatur oder Wartung ausgehändigt wird.

Bei Betrieb und Wartung von Elektrowerkzeugen müssen die Sicherheitsvorschriften und Normen beachtet werden.

MODIFIKATIONEN

Hitachi-Elektrowerkzeuge werden fortwährend verbessert und modifiziert, um die neuesten technischen Fortschritte einzubauen.

Dementsprechend ist es möglich, daß einige Teile (z.B. Codenummern bzw. Entwurf) ohne vorherige Benachrichtigung geändert werden.

GARANTIE

Auf Hitachi-Elektrowerkzeuge gewähren wir eine Garantie unter Zugrundelegung der jeweils geltenden gesetzlichen und landesspezifischen Bedingungen. Dieses Garantie erstreckt sich nicht auf Gehäusedefekte und nicht auf Schäden, die auf Missbrauch, bestimmungswidrigen Einsatz oder normalen Verschleiß zurückzuführen sind. Im Schadensfall senden Sie das nicht zerlegte Elektrowerkzeug zusammen mit dem GARANTIESCHEIN, den Sie am Ende der Bedienungsanleitung finden, an ein von Hitachi autorisiertes Servicecenter.

HINWEIS

Aufgrund des ständigen Forschungs- und Entwicklungsprogramms von HITACHI sind Änderungen der hierin gemachten technischen Angaben vorbehalten.

Information über Betriebslärm und Vibration

Die gemessenen Werte wurden entsprechend EN60745 bestimmt und in Übereinstimmung mit ISO 4871 ausgewiesen.

Gemessener A-gewichteter Schallpegel: 104 dB (A)

Gemessener A-gewichteter Schalldruck: 93 dB (A)

Messunsicherheit KpA: 3 dB (A)

Gehörschutz tragen.

Gesamtvibrationswerte (3-Achsen-Vektorsumme), bestimmt gemäß EN60745.

Schlagbohren:

Vibrationsemissionswert a_{hh} = 24,1 m/s²

Messunsicherheit K = 1,5 m/s²

WARNUNG

- Der Vibrationsemissionswert während der tatsächlichen Benutzung des Elektrowerkzeugs kann von dem deklarierten Wert abweichen, abhängig davon, wie das Werkzeug verwendet wird.
- Zur Festlegung der Sicherheitsmaßnahmen zum Schutz des Bedieners, die auf einer Expositionseinschätzung unter den tatsächlichen Benutzungsbedingungen beruhen (unter Berücksichtigung aller Bereiche des Betriebszyklus, darunter neben der Triggerzeit auch die Zeiten, in denen das Werkzeug ausgeschaltet ist oder im Leerlaufbetrieb läuft).

ΓΕΝΙΚΕΣ ΠΡΟΕΙΔΟΠΟΙΗΣΕΙΣ ΑΣΦΑΛΕΙΑΣ ΗΛΕΚΤΡΙΚΟΥ ΕΡΓΑΛΕΙΟΥ

⚠ ΠΡΟΣΟΧΗ

Διαβάξτε όλες τις προειδοποιήσεις ασφαλείας και όλες τις οδηγίες.

Η μη τήρηση των προειδοποιήσεων και οδηγιών μπορεί να προκαλέσει ηλεκτροπληξία, πυρκαγιά και/ή σοβαρό τραυματισμό.

Φυλάξτε όλες τις προειδοποιήσεις και τις οδηγίες για μελλοντική αναφορά.

Ο όρος "ηλεκτρικό εργαλείο" στις προειδοποιήσεις αναφέρεται στο ηλεκτρικό εργαλείο (με καλώδιο) που λειτουργεί στους αγωγούς ή στο ηλεκτρικό εργαλείο που λειτουργεί στη μπαταρία (χωρίς καλώδιο).

1) Ασφάλεια χώρου εργασίας

- Διατηρείτε το χώρο εργασίας καθαρό και καλά φωτισμένο.**
Σε ακατάστατες ή σκοτεινές περιοχές μπορεί να προκληθούν ατυχήματα.
- Μην χρησιμοποιείτε τα ηλεκτρικά εργαλεία σε περιβάλλον, στο οποίο μπορεί να προκληθεί έκρηξη, όπως παρουσία εύφλεκτων υγρών, αερίων ή σκόνης.**
Τα ηλεκτρικά εργαλεία δημιουργούν σπινθήρες, οι οποίοι μπορεί να αναφλέξουν τη σκόνη ή τον καπνό.
- Κρατήστε τα παιδιά και τους παρευρισκόμενους μακριά όταν χρησιμοποιείτε ένα ηλεκτρικό εργαλείο.**
Αν αποσπαστεί η προσοχή σας, υπάρχει κίνδυνος να χάσετε τον έλεγχο.

2) Ηλεκτρική ασφάλεια

- Τα φως των ηλεκτρικών εργαλείων πρέπει να είναι κατάλληλα για τις πρίζες.**
Μην τροποποιήσετε ποτέ το φως με οποιονδήποτε τρόπο. Μην χρησιμοποιείτε φως προσαρμογής με γειωμένα ηλεκτρικά εργαλεία.
Τα μη τροποποιημένα φως και οι κατάλληλες πρίζες μειώνουν τον κίνδυνο ηλεκτροπληξίας.
- Αποφύγετε τη σωματική επαφή με γειωμένες επιφάνειες όπως σωλήνες, θερμάστρες, μαγνητρικές συσκευές και ψυγεία.**
Υπάρχει αυξημένος κίνδυνος ηλεκτροπληξίας όταν το σώμα σας είναι γειωμένο.
- Μην εκθέτετε τα ηλεκτρικά εργαλεία στη βροχή ή σε συνθήκες υγρασίας.**
Το νερό που εισέρχεται σε ένα ηλεκτρικό εργαλείο αυξάνει τον κίνδυνο ηλεκτροπληξίας.
- Μην ασκείτε δύναμη στο καλώδιο. Μην χρησιμοποιείτε ποτέ το καλώδιο για να μεταφέρετε, να τραβήξετε ή να θγάλετε από την πρίζα το ηλεκτρικό εργαλείο.**
Κρατήστε το καλώδιο μακριά από θερμότητα, λάδι, κοφτερές γωνίες και κινούμενα μέρη.
Τα κατεστραμμένα ή μπερδεμένα καλώδια αυξάνουν τον κίνδυνο ηλεκτροπληξίας.
- Όταν χρησιμοποιείτε το εργαλείο σε εξωτερικό χώρο, χρησιμοποιήστε καλώδιο προστασίας που προορίζεται για χρήση σε εξωτερικό χώρο.**
Η χρήση ενός καλωδίου κατάλληλου για εξωτερικό χώρο μειώνει τον κίνδυνο ηλεκτροπληξίας.
- Αν είναι αναπόφευκτη η λειτουργία ενός ηλεκτρικού εργαλείου σε χώρο με υγρασία, χρησιμοποιείτε διάταξη προστασίας ρεύματος διαρροής (RCD).**
Η χρήση της RCD μειώνει τον κίνδυνο ηλεκτροπληξίας.

3) Προσωπική ασφάλεια

- Να είστε σε ετοιμότητα, να βλέπετε αυτό που κάνετε και να χρησιμοποιείτε την κοινή λογική όταν χρησιμοποιείτε ένα ηλεκτρικό εργαλείο.**

Μην χρησιμοποιείτε ηλεκτρικά εργαλεία όταν είστε κουρασμένοι ή υπό την επίρρεια ναρκωτικών ουσιών, οιονεινεύματος ή φαρμάκων.

Μια στιγμή απροσεξίας κατά τη χρήση ενός ηλεκτρικού εργαλείου μπορεί να προκαλέσει σοβαρό προσωπικό τραυματισμό.

- Χρησιμοποιείτε προσωπικό προστατευτικό εξοπλισμό. Φοράτε πάντα προστασία για τα μάτια.**
Ο προστατευτικός εξοπλισμός, όπως μάσκα για τη σκόνη, αντιολισθητικά παπούτσια, σκληρό καπέλο ή προστασία για τα αυτιά, που χρησιμοποιείται για ανάλογες συνθήκες μπορεί να μειώσει τους τραυματισμούς.
 - Προλαμβάνετε τυχόν ακούσια εκκίνηση. Βεβαιωθείτε ότι ο διακόπτης είναι σε θέση απενεργοποίησης πριν συνδέσετε τη συσκευή με πηγή ρεύματος και/ή τη θήκη της μπαταρίας, πριν σπρώξετε ή μετώξετε το εργαλείο.**
Η μεταφορά ηλεκτρικού εργαλείου με τα δάχτυλά σας στο διακόπτη ή η ηλεκτροδότηση ηλεκτρικού εργαλείου με ενεργοποιημένο το διακόπτη μπορεί να προκαλέσουν ατυχήματα.
 - Να αφαιρείτε τυχόν κλειδιά ρυθμιζόμενου ανοίγματος ή τα απλά κλειδιά πριν θέσετε σε λειτουργία το ηλεκτρικό εργαλείο.**
Ένα απλό κλειδί ή ένα κλειδί ρυθμιζόμενου ανοίγματος που είναι προσαρτημένο σε περιστρεφόμενο εξάρτημα του ηλεκτρικού εργαλείου μπορεί να προκαλέσει προσωπικό τραυματισμό.
 - Μην τεντώνεστε. Να διατηρείτε πάντοτε το κατάλληλο πάτημα και την ισορροπία σας.**
Με αυτόν τον τρόπο μπορείτε να ελέγχετε καλύτερα το ηλεκτρικό εργαλείο σε μη αναμενόμενες καταστάσεις.
 - Να είστε ντυμένοι κατάλληλα. Μην φοράτε φαρδιά ρούχα ή κοσμήματα. Να κρατάτε τα μαλλιά σας, τα ρούχα σας και τα γάντια σας μακριά από κινούμενα μέρη.**
Τα φαρδιά ρούχα, τα κοσμήματα και τα μακριά μαλλιά μπορεί να πιαστούν σε κινούμενα μέρη.
 - Αν παρέχονται εξαρτήματα για τη σύνδεση συσκευών εξαγωγής και συλλογής σκόνης, να βεβαιώνετε ότι είναι συνδεδεμένα και χρησιμοποιούνται με το σωστό τρόπο.**
Η χρήση συλλεκτικής σκόνης μειώνει τους κινδύνους που προέρχονται από τη σκόνη.
- 4) Χρήση και φροντίδα ηλεκτρικών εργαλείων
- Μην ασκείτε δύναμη στο ηλεκτρικό εργαλείο. Να χρησιμοποιείτε το ηλεκτρικό εργαλείο που είναι κατάλληλο για το είδος της εργασίας που εκτελείτε.**
Το κατάλληλο ηλεκτρικό εργαλείο θα εκτελέσει την εργασία καλύτερα και με μεγαλύτερη ασφάλεια με τον τρόπο που σχεδιάστηκε.
 - Μη χρησιμοποιήσετε το ηλεκτρικό εργαλείο αν ο διακόπτης λειτουργίας δεν ανοίγει και δεν κλείνει.**
Ένα ηλεκτρικό εργαλείο που δεν ελέγχεται από το διακόπτη λειτουργίας είναι επικίνδυνο και πρέπει να επισκευαστεί.
 - Αποσυνδέστε το βύσμα από την πηγή ισχύος και/ή τη θήκη μπαταρίας από το ηλεκτρικό εργαλείο πριν προβείτε σε ρυθμίσεις, αλλαγή εξαρτήματος ή αποθήκευση του ηλεκτρικού εργαλείου.**
Αυτά τα προληπτικά μέτρα ασφαλείας μειώνουν τον κίνδυνο να ξεκινήσει το ηλεκτρικό εργαλείο κατά λάθος.
 - Αποθηκεύστε τα εργαλεία που δεν χρησιμοποιείτε μακριά από παιδιά και μην αφήνετε τα άτομα που δεν είναι εξοικειωμένα με το ηλεκτρικό εργαλείο ή με αυτές τις οδηγίες να χρησιμοποιούν το ηλεκτρικό εργαλείο.**
Τα ηλεκτρικά εργαλεία είναι επικίνδυνα στα χέρια μη εκπαιδευμένων ατόμων.

- e) Συντηρείτε τα ηλεκτρικά εργαλεία. Να ελέγχετε την ευθυγράμμιση τους ή το μπλοκάρισμα των κινούμενων μερών, τη θραύση των εξαρτημάτων και οποιαδήποτε άλλη κατάσταση που ενδέχεται να επηρεάσει τη λειτουργία του ηλεκτρικού εργαλείου.

Σε περίπτωση βλάβης, το ηλεκτρικό εργαλείο πρέπει να επισκευαστεί πριν χρησιμοποιηθεί.

Πολλά ατυχήματα προκαλούνται από ηλεκτρικά εργαλεία που δεν έχουν συντηρηθεί σωστά.

- f) Διατηρείτε τα εργαλεία κοπής κοφτερά και καθαρά.

Τα κατάλληλα συντηρημένα εργαλεία κοπής με κοφτερές γωνίες μπλοκάρουν πιο δύσκολα και ελέγχονται πιο εύκολα.

- g) Χρησιμοποιείτε το ηλεκτρικό εργαλείο, τα εξαρτήματα και τα μέρη κ.τ.λ. σύμφωνα με τις παρούσες οδηγίες, λαμβάνοντας υπόψη τις συνθήκες εργασίας και την εργασία που θα εκτελέσετε.

Η χρήση του ηλεκτρικού εργαλείου για εργασίες πέρα από εκείνες για τις οποίες προορίζεται, ενδέχεται να δημιουργήσει κινδύνους.

- 5) Σέρβις

- a) Να δίνετε το ηλεκτρικό εργαλείο για σέρβις σε κατάλληλα εκπαιδευμένα άτομα και να χρησιμοποιείτε μόνο γνήσια ανταλλακτικά.

Με αυτόν τον τρόπο είστε σίγουροι για την ασφάλεια του ηλεκτρικού εργαλείου.

ΠΡΟΦΥΛΑΞΗ

Μακριά από τα παιδιά και τους αναπήρους.

Όταν δεν χρησιμοποιούνται, τα εργαλεία πρέπει να φυλάζονται μακριά από τα παιδιά και τους αναπήρους.

ΠΡΟΕΙΔΟΠΟΙΗΣΕΙΣ ΑΣΦΑΛΕΙΑΣ ΚΡΟΥΣΤΙΚΟΥ ΔΡΑΠΑΝΟΥ

1. Φοράτε πάντα ωτοασπίδες κατά τη χρήση του δραπάνου.

Έκθεση στον θόρυβο μπορεί να καλέσει απώλεια ακοής.

2. Χρησιμοποιήτε τις βοηθητικές λαβές που επισυνάπτονται με τον εργαλείο.

Απώλεια ελέγχου μπορεί να καλέσει τραυματισμό.

ΤΕΧΝΙΚΑ ΧΑΡΑΚΤΗΡΙΣΤΙΚΑ

Τάση (ανά περιοχές)*		(110V, 115V, 120V, 127V, 220V, 230V, 240V) \sphericalangle
Ισχύς εισόδου		550 W*
Ταχύτητα χωρίς φορτίο		0-2900 min ⁻¹
Ικανότητα	Ατσάλι	13 mm
	Τσιμέντο	16 mm
	Ξύλο	25 mm
Βάρος (χωρίς καλώδιο)		1,6 kg

* Βεβαιωθείτε να ελέγξετε την πινακίδα στο προϊόν επειδή υπόκεινται σε αλλαγή σε εξάρτηση από την περιοχή.

ΚΑΝΟΝΙΚΑ ΕΞΑΡΤΗΜΑΤΑ

Για την ολόκληρη περιοχή

(1) Πλευρική λαβή 1

(2) Αναστολέας βάθους 1

Για τις επί μέρους περιοχές

(1) Κλειδί σφικτήρα 1

(Για σφικτήρα τρυπανιού με κλειδί σφικτήρα)

(2) Πλαστική θήκη 1

Τα κανονικά εξαρτήματα μπορούν να αλλάξουν χωρίς προειδοποίηση.

ΕΦΑΡΜΟΓΕΣ

- Με τον συνδυασμό των δράσεων ΠΕΡΙΣΤΡΟΦΗ και ΚΡΟΥΣΗ: Διάνοξη τρυπών σε τσιμέντο, μάρμαρο, γρανίτη, πλακάκι, και παρόμοια υλικά.

- Με ΠΕΡΙΣΤΡΟΦΙΚΗ δράση:
Άνοιγμα τρυπών σε μέταλλο, ξύλο και πλαστικό.
Σφίξιμο Ξυλόβιδων

ΠΡΙΝ ΤΗ ΛΕΙΤΟΥΡΓΙΑ

1. Πηγή ρεύματος

Βεβαιωθείτε ότι η πηγή ρεύματος που πρόκειται να χρησιμοποιηθεί είναι εναρμονισμένη με τις απαιτήσεις σε ρεύμα που αναφέρεται στην πινακίδα του εργαλείου.

2. Διακόπτης ρεύματος

Βεβαιωθείτε ότι ο διακόπτης ρεύματος βρίσκεται στη θέση OFF. Αν το βίσμα είναι στη μπρίζα καθώς ο διακόπτης ρεύματος βρίσκεται στο ON, το εργαλείο θα αρχίσει να λειτουργεί αμέσως, με πιθανότητα πρόκλησης σοβαρού ατυχήματος.

3. Καλώδιο προέκτασης

Όταν ο χώρος εργασίας βρίσκεται μακριά από την παροχή ρεύματος, χρησιμοποιήστε ένα καλώδιο προέκτασης με κατάλληλο πάχος και ικανότητα μεταφοράς ρεύματος. Το καλώδιο προέκτασης πρέπει να είναι τόσο κοντό όσο είναι πρακτικά δυνατό.

4. Στερέωση της πλευρικής λαβής

Συνδέστε την πλευρική λαβή στο τμήμα στερέωσης. Περιστρέψτε το χερούλι της πλευρικής λαβής προς τα δεξιά για να το ασφαλίσετε.

Τοποθετήστε την πλευρική λαβή σε τέτοια θέση έτσι ώστε να είναι κατάλληλη για λειτουργία και μετά σφίξτε γερά το χερούλι της πλευρικής λαβής.

5. Σύνδεση και αποσύνδεση της λεπίδας

Για σφικτήρα χωρίς κλειδί

- (1) Στερέωση της λεπίδας

Μετά την τοποθέτηση της οδηγητικής λεπίδας κτλ μέσα στο σφικτήρα του τρυπανιού οποίος δεν έχει κλειδί, πιάστε γερά το δακτύλιο και σφίξτε το βραχίονα περιστρέφοντάς τον προς τα δεξιά (προς την κατεύθυνση των δεικτών του ρολογιού καθώς βλέπεται από τα εμπρός) (Βλέπε **Εικ. 1**).

- Αν ο βραχίονας χαλαρώσει κατά την λειτουργία, σφίξτε τον περισσότερο. Η δύναμη σφίξης γίνεται ισχυρότερη καθώς ο βραχίονας σφίγγεται.
- (2) Αφαίρεση της λεπίδας
Πιάστε γερά το δακτύλιο και ξεσφίξτε το βραχίονα στρέφοντας τον προς τα αριστερά (προς την αντίθετη κατεύθυνση της φοράς του ρολογιού όπως βλέπεται από τα εμπρός) (Βλέπε **Εικ. 1**).

ΠΑΡΑΤΗΡΗΣΗ

Όταν ο βραχίονας δεν χαλαρώνει περισσότερο, στερεώστε την πλευρική λαβή στο βραχίονα. Μετά κτυπήστε τη χειρολαβή της πλευρικής λαβής προς τα αριστερά έτσι ώστε να ξεσφίξει ο βραχίονας, καθώς κρατάτε το δακτύλιο με το χέρι σας (**Εικ. 2**).

ΠΡΟΣΟΧΗ

Μην στερεώσετε τη πλευρική λαβή στο δακτύλιο τον σφικτήρα που δεν έχει κλειδί επειδή υπάρχει κίνδυνος όταν τον κάνετε να προκληθεί ζημιά στο δακτύλιο.

Για σφικτήρα τρυπανιού με κλειδί σφικτήρα

Στερεώστε την λεπίδα τρυπανιού μέσα στο σφικτήρα και χρησιμοποιήστε το κλειδί του σφικτήρα για να το ασφαλίσετε, σφίξτε το σφικτήρα μέσω της κάθε μιας από τις τρεις τρύπες στη σειρά (**Εικ. 3**).

6. Επιλογή της κατάλληλης λεπίδας τρυπανιού

- Όταν τρυπάτε τσιμέντο ή πέτρα:
Χρησιμοποιήστε τις λεπίδες τρυπανιού για τσιμέντο.
- Όταν τρυπάτε ξύλο:
Χρησιμοποιήστε μια λεπίδα τρυπανιού κατάλληλη για ξύλο.
- Όμως, όταν ανοίγετε τρύπες 6.5 mm ή μικρότερες τρύπες, χρησιμοποιήστε μια λεπίδα τρυπανιού που είναι κατάλληλη για μέταλλο.
- 7. **Επιλογή της οδηγητικής λεπίδας**
Οι κεφαλές των βιδών ή των λεπίδων θα πάθουν ζημιά αν δεν χρησιμοποιηθεί η κατάλληλη λεπίδα για τη διάμετρο της βίδας που πρόκειται να βιδωθεί.

8. Ελέγξτε την περιστροφική διεύθυνση (**Εικ. 4**)

Η λεπίδα περιστρέφεται προς τα δεξιά (όψη από την πίσω πλευρά) πατώντας την R-πλευρά του κουμπιού. Η L-πλευρά του κουμπιού πατιέται για να περιστραφεί η λεπίδα προς τα αριστερά. (Τα σημάδια (L) και (R) παρέχονται πάνω στο σώμα.)

ΠΡΟΣΟΧΗ

- Ποτέ να μην αλλάξετε την διεύθυνση περιστροφής της λεπίδας κατά την λειτουργία.
Κλείστε το διακόπτη του ρεύματος στο OFF πριν αλλάξετε την διεύθυνση περιστροφής της λεπίδας. Διαφορετικά θα καεί το μοτέρ.
- Πάντοτε χρησιμοποιήστε το με δεξιόστροφη περιστροφή, όταν το χρησιμοποιείτε ως κρουστικό δράπανο.
- 9. **Αλλαγή από την ΚΡΟΥΣΗ στη ΠΕΡΙΣΤΡΟΦΗ (**Εικ. 5**)**
Το κρουστικό δράπανο μπορεί να αλλάξει από τη ΚΡΟΥΣΗ (κρούση και περιστροφή) στη ΠΕΡΙΣΤΡΟΦΗ (μόνο περιστροφή) ολισθαίνοντας απλά το μοχλό αλλαγής. Όταν τρυπάτε τσιμέντο, πέτρα, πλακάκι ή παρόμοια πλατιά υλικά, ολισθήστε τον μοχλό αλλαγής στα δεξιά. Η κεφαλή του δραπάνου προσκρούει στο υλικό καθώς συνεχίζει να περιστρέφεται.
Όταν τρυπάτε μέταλλο, ξύλο ή πλαστικό, ολισθήστε τον μοχλό αλλαγής πλήρως προς τα αριστερά. Το δράπανο απλά περιστρέφεται ως ένα κανονικό ηλεκτρικό τρυπάνι.

ΠΡΟΣΟΧΗ

Μην χρησιμοποιήσετε το κρουστικό δράπανο στο τρόπο λειτουργίας ΚΡΟΥΣΗ αν το υλικό μπορεί να τρυπηθεί μόνο με την περιστροφή. Τέτοια ενέργεια όχι μόνο θα ελαττώσει την αποδοτικότητα του δραπάνου, αλλά μπορεί να επίσης να προκαλέσει ζημιά στην κεφαλή του τρυπανιού.
Όταν γίνεται η αλλαγή, εξασφαλίστε ότι ο μοχλός αλλαγής έχει ολισθήσει όσο το δυνατόν περισσότερο.

ΠΩΣ ΝΑ ΤΟ ΧΡΗΣΙΜΟΠΟΙΗΣΕΤΕ

1. Πίεση

Το τρυπάνισμα ΔΕΝ θα επιταχυνθεί αν ασκήσετε μεγάλη δύναμη πάνω στο δράπανο. Τέτοια ενέργεια θα προκαλέσει μόνο ζημιά στην λεπίδα του δραπάνου, την μειωμένη ικανότητα τρυπανίσματος και/ή την ελάττωση του ωφέλιμου χρόνου ζωής του δραπάνου.

2. Χρήση λεπίδας δραπάνου μεγαλύτερης διαμέτρου

Όσο μεγαλύτερη είναι η διάμετρος της λεπίδας του δραπάνου, τόσο μεγαλύτερη είναι και η δύναμη αντίδρασης στα μπράτσα σας. Προσέξτε να μην χάσετε τον έλεγχο του δραπάνου εξαιτίας αυτής της δύναμης αντίδρασης. Για να διατηρήσετε σταθερό έλεγχο, διατηρήστε ένα σταθερό πάτημα, κρατήστε το εργαλείο γερά με τα δύο χέρια, και εξασφαλίστε ότι το δράπανο είναι κάθετο προς το υλικό που τρυπιέται.

3. Όταν κάνετε διαμερές τρύπημα στο υλικό

Όταν η λεπίδα του δραπάνου διαπερνά πλήρως το υλικό, ο απρόσεκτος χειρισμός συχνά προκαλεί το σπάσιμο της λεπίδας ή τη ζημιά στο ίδιο το δράπανο εξαιτίας της ξαφνικής κίνησης του δραπάνου. Πάντα να βρίσκεστε σε εγρήγορση και έτοιμος να σταματήσετε την δύναμη ώθησης όταν κάνετε διαμερές τρύπημα στο υλικό.

4. Λειτουργία διακόπτη

- Όταν η σκανδάλη είναι χαμηλωμένη, το εργαλείο περιστρέφεται. Όταν η σκανδάλη ελευθερωθεί το εργαλείο σταματά.
- Η ταχύτητα περιστροφής του δραπάνου μπορεί να ελεγχθεί από το κατά πόσο τραπιέται η σκανδάλη διακόπτης. Η ταχύτητα είναι χαμηλή όταν η σκανδάλη διακόπτης τραβηχθεί ελαφρά και αυξάνει καθώς η σκανδάλη διακόπτης τραβιέται περισσότερο.
- Η επιθυμητή ταχύτητα περιστροφής μπορεί να επιλεγεί εκ των προτέρων με το καντράν ελέγχου ταχύτητας.
Γυρίστε το καντράν ελέγχου ταχύτητας δεξιόστροφα για την υψηλότερη ταχύτητα και αριστερόστροφα για τη χαμηλότερη ταχύτητα (**Εικ. 6**).
- Το τράβηγμα της σκανδάλης και το σπρώξιμο του στόπερ, διατηρεί την κατάσταση λειτουργίας, η οποία είναι βολική για συνεχή λειτουργία. Κατά το σβήσιμο, το στόπερ μπορεί να απουσυνδεθεί τραβώντας τη σκανδάλη ξανά.

ΠΡΟΣΟΧΗ

Τρυπήστε στη μέγιστη ταχύτητα περιστροφής όταν τρυπάτε ξύλινα υλικά

5. Όταν δίδωνετε ξυλοβίδες

- (1) Επιλογή της κατάλληλης οδηγητικής λεπίδας
Χρησιμοποιήστε βίδες με μεγάλη εγκοπή στην κεφαλή, αν είναι δυνατόν, επειδή η οδηγητική λεπίδα γλιστράει από την βίδα με μικρή εγκοπή στην κεφαλή.

(2) Βιδώμα Ξυλόβιδων

- Πριν βιδώσετε Ξυλόβιδες, φτιάξτε τρύπες κατάλληλες για αυτές στην ξύλινη επιφάνεια. Βάλτε την λεπίδα στις αυλακώσεις της κεφαλής των βιδών και με προσοχή βιδώστε τις βίδες μέσα στις τρύπες.
- Αφού περιστρέψετε το κατασβίδι για λίγο σε χαμηλή ταχύτητα έως ότου μια βίδα να μισο-βιδωθεί μέσα στο ξύλο, πιέστε πιο δυνατά την σκανδάλη για να αποκτήσετε την βέλτιστη δύναμη βιδώματος.

ΠΡΟΣΟΧΗ

- Δώστε προσοχή κατά την ετοιμασία της κατάλληλης τρύπας για τις Ξυλόβιδες λαμβάνοντας υπόψη την σκληρότητα του ξύλου.
Αν η τρύπα είναι υπερβολικά μικρή ή ρηχή, χρειάζεται περισσότερη δύναμη για να βιδωθεί η βίδα μέσα της και το σπείρωμα της βίδας μπορεί μερικές φορές να καταστραφεί.
- Μην βιδώνεται μηχανικές βίδες.

ΣΥΝΤΗΡΗΣΗ ΚΑΙ ΕΛΕΓΧΟΣ

1 Έλεγχος της λεπίδας δραπάνου

Η συνεχής χρήση μιας φθαρμένης και/ή κατεστραμμένης λεπίδας θα προκαλέσει την μειωμένη αποδοτικότητα τρυπανίσματος και μπορεί να προκαλέσει σοβαρή υπερφόρτιση του μοτέρ του δραπάνου. Ελέγξτε συχνά την λεπίδα του δραπάνου και αντικαταστήστε την με μια καινούργια λεπίδα όταν είναι απαραίτητο.

2 Έλεγχος των βιδών στερέωσης

Ελέγχετε περιοδικά όλες τις βίδες στερέωσης και βεβαιωθείτε ότι είναι κατάλληλα σφιγμένες. Στην περίπτωση που χαλαρώσει οποιαδήποτε βίδα σφίξτε την ξανά αμέσως. Αν δεν το κάνετε αυτό μπορεί να έχει ως αποτέλεσμα το σοβαρό τραυματισμό.

3 Συντήρηση του μοτέρ

Η περιέλιξη της μονάδα του μοτέρ είναι η "καρδιά" του ηλεκτρικού εργαλείου. Δώστε μεγάλη προσοχή για να σιγουρευτείτε ότι η περιέλιξη δεν θα πάθει ζημιά και / ή θα βρεχθεί με λάδι ή νερό.

4 Σέρβις

Συμβουλευτείτε ένα εξουσιοδοτημένο Κέντρο Σέρβις στην περίπτωση της βλάβης του ηλεκτρικού εργαλείου.

5 Λίστα συντήρησης των μερών

- A: Αρ. Αντικειμένου
- B: Αρ. Κωδικού
- C: Αρ. που χρησιμοποιήθηκε
- D: Παρατηρήσεις

ΠΡΟΣΟΧΗ

Η επισκευή ή τροποποίηση και ο έλεγχος των Ηλεκτρικών Εργαλείων Hitachi πρέπει να γίνεται από ένα Εξουσιοδοτημένο κέντρο σέρβις της Hitachi.

Αυτή η Λίστα των Μερών θα είναι χρήσιμη αν παρουσιαστεί μαζί με το εργαλείο στο Εξουσιοδοτημένο Κέντρο Σέρβις της Hitachi όταν ζητάτε επισκευή ή κάποια άλλη συντήρηση.

Κατά τον έλεγχο και τη συντήρηση των ηλεκτρικών εργαλείων, οι κανόνες ασφαλείας και οι κανονισμοί που υπάρχουν σε κάθε χώρα πρέπει να ακολουθούνται.

ΤΡΟΠΟΠΟΙΗΣΗ

Τα Ηλεκτρικά Εργαλεία Hitachi βελτιώνονται συνεχώς και τροποποιούνται για να συμπεριλάβουν τις τελευταίες τεχνολογικές προόδους. Κατά συνέπεια, ορισμένα τμήματα (δηλ. κωδικοί αριθμοί και / ή σχεδιασμός) μπορούν να αλλάξουν χωρίς προηγούμενη ειδοποίηση.

ΕΓΓΥΗΣΗ

Εγγυώμαστε τα εργαλεία Hitachi Power Tools σύμφωνα με τη νομοθεσία και τους κανονισμούς ανά χώρα. Η παρούσα εγγύηση δεν καλύπτει ελαττώματα ή ζημιές λόγω κακής χρήσης, κακοποίησης ή φυσιολογικής φθοράς. Σε περίπτωση παραπόνων παρακαλούμε αποστείλετε το Power Tool χωρίς να το αποσυρμαρμολογήσετε μαζί με το ΠΙΣΤΟΠΟΙΗΤΙΚΟ ΕΓΓΥΗΣΗΣ το οποίο βρίσκεται στο τέλος των οδηγιών αιτών, σε Εξουσιοδοτημένο Κέντρο Επισκευής της Hitachi.

ΣΗΜΕΙΩΣΗ

Εξαιτίας του συνεχιζόμενου προγράμματος έρευνας και ανάπτυξης της Hitachi τα τεχνικά χαρακτηριστικά που εδώ αναφέρονται μπορούν να αλλάξουν χωρίς προηγούμενη ειδοποίηση.

Πληροφορίες που αφορούν τον εκπεμπόμενο θόρυβο και τη δόση ηχητικής πίεσης

Οι τιμές μετρήθηκαν σύμφωνα με το EN60745 και βρέθηκαν σύμφωνες με το ISO 4871.

Μετρηθείσα τυπική στάθμη ηχητικής ισχύος A: 104 dB (A)

Μετρηθείσα τυπική στάθμη ηχητικής πίεσης A: 93 dB (A)

Αβεβαιότητα Κρα: 3 dB (A)

Φοράτε προστατευτικά αυτιών.

Συνολικές τιμές δόνησης (διανυσματικό άθροισμα τριαξονικού καλωδίου) που καθορίζονται σύμφωνα με το πρότυπο EN60745.

Εργασία κρουστικού δράπανου:

Τιμή εκπομπής δόνησης $a_h = 24,1 \text{ m/s}^2$

Αβεβαιότητα K = 1,5 m/s²

ΠΡΟΣΟΧΗ

○ Η τιμή εκπομπής δόνησης κατά την ουσιαστική χρήση του ηλεκτρικού εργαλείου μπορεί να διαφέρει από τη δηλωμένη τιμή, ανάλογα με το που και πως χρησιμοποιείται το εργαλείο.

○ Για να αναγνωρίσετε τα μέτρα ασφαλείας για την προστασία του χειριστή που βασίζονται σε μία εκτίμηση της έκθεσης στις πραγματικές συνθήκες χρήσης (λαμβάνοντας υπόψη όλα τα μέρη του κύκλου λειτουργίας όπως τα διαστήματα που το εργαλείο είναι απενεργοποιημένο και όταν λειτουργεί στο ρελαντί μαζί με το χρόνο διέγερσης).

OGÓLNE WSKAZÓWKI BEZPIECZEŃSTWA DOTYCZĄCE URZĄDZEŃ ELEKTRYCZNYCH

⚠ OSTRZEŻENIE

Należy dokładnie zapoznać się ze wszystkimi ostrzeżeniami i wskazówkami bezpieczeństwa.

Nieprzestrzeganie ostrzeżeń oraz wskazówek bezpieczeństwa może spowodować porażenie prądem elektrycznym, pożar i/lub odniesienie poważnych obrażeń.

Ostrzeżenia i wskazówki bezpieczeństwa powinny być przechowywane do użycia w przyszłości.

Wykorzystywane w treści wskazówek wyrażenie "narzędzie elektryczne" dotyczy narzędzi zasilanych z sieci (przewodowych) lub z baterii (bezwodowodowych).

1) Bezpieczeństwo stanowiska pracy

a) Miejsce pracy powinno być czyste i dobrze oświetlone.

Brak porządku lub nieodpowiednie oświetlenie miejsca pracy może być przyczyną wypadku.

b) Nie należy używać narzędzi elektrycznych w miejscach zagrożonych wybuchem, na przykład w pobliżu łatwopalnych cieczy, gazów lub pyłów.

Pracujące narzędzie elektryczne wytwarza iskry grożące wybuchem.

c) Dzieci oraz osoby postronne powinny pozostawać w bezpiecznej odległości od pracującego urządzenia.

Dekonzcentracja może spowodować utratę kontroli nad urządzeniem.

2) Bezpieczeństwo elektryczne

a) Wtyczka narzędzia musi pasować do gniazda zasilania.

Nie wolno przerabiać wtyczki.

Narzędzia posiadające uzziemienie nie powinny być używane z wtyczkami przejściowymi.

Przestrzeganie powyższych zaleceń dotyczących wtyczek i gniazdek pozwoli zmniejszyć ryzyko porażenia prądem elektrycznym.

b) Należy unikać dotykania jakichkolwiek powierzchni i elementów uziemionych, takich jak rury, grzejniki, kuchenki lub urządzenia chłodnicze.

Ryzyko porażenia prądem elektrycznym jest wyższe, gdy ciało jest uziemione.

c) Nie należy narażać narzędzi elektrycznych na działanie deszczu lub wilgoci.

Obecność wody zwiększa niebezpieczeństwo porażenia prądem elektrycznym.

d) Nie należy używać przewodu zasilającego w sposób niezgodny z przeznaczeniem. Nie wolno używać przewodu do przenoszenia lub ciągnięcia urządzenia bądź wyłączania go z prądu.

Przewód powinien znajdować się w bezpiecznej odległości od źródeł ciepła, oleju, ostrych krawędzi lub poruszających się części.

Uszkodzenie lub zapętlenie przewodu zwiększa ryzyko porażenia prądem elektrycznym.

e) W przypadku używania narzędzia elektrycznego na wolnym powietrzu należy korzystać z przedłużaczy przeznaczonych do takiego zastosowania.

Używanie odpowiednich przedłużaczy zmniejsza ryzyko porażenia prądem elektrycznym.

f) W przypadku korzystania z narzędzia w miejscu o dużej wilgotności należy zawsze używać wyłącznika różnicowoprądowego.

Korzystanie z takiego wyłącznika zmniejsza ryzyko porażenia prądem elektrycznym.

3) Bezpieczeństwo osobiste

a) Podczas korzystania z narzędzia elektrycznego należy zawsze koncentrować się na wykonywanej pracy i postępować zgodnie z zasadami zdrowego rozsądku.

Narzędzia elektryczne nie powinny być obsługiwane przez osoby zmęczone lub znajdujące się pod wpływem substancji odurzających, alkoholu bądź lekarstw.

Chwila nieuwagi podczas obsługi narzędzia elektrycznego może spowodować odniesienie poważnych obrażeń.

b) Zawsze używać odpowiedniego osobistego wyposażenia ochronnego. Zawsze nosić odpowiednie okulary ochronne.

Stosowane w odpowiednich warunkach wyposażenie zabezpieczające, takie jak maska przeciwpyłowa, obuwie antypoślizgowe, kask lub nauszki zmniejsza ryzyko odniesienia obrażeń ciała.

c) Uniemożliwić nieoczekiwane uruchomienie narzędzia. Przed podłączeniem narzędzia do gniazda zasilania i/lub zestawu baterii, a także przed podniesieniem lub przeniesieniem go, należy upewnić się, że wyłącznik znajduje się w położeniu wyłączenia.

Ze względów bezpieczeństwa nie należy przenosić narzędzi elektrycznych, trzymając palec na wyłączniku, ani podłączając do zasilania urządzenia, których wyłącznik znajduje się w położeniu włączenia.

d) Przed włączeniem usunąć wszystkie klucze regulacyjne.

Pozostawienie klucza regulacyjnego połączonego z częścią obrotową narzędzia może spowodować odniesienie obrażeń.

e) Nie sięgać zbyt daleko. Należy zawsze stać stabilnie, zachowując równowagę.

Zapewnia to lepsze panowanie nad narzędziem w nieoczekiwanych sytuacjach.

f) Należy nosić odpowiednią odzież roboczą. Nie nosić luźnych ubrań lub biżuterii. Trzymać włosy, odzież i rękawice w bezpiecznej odległości od ruchomych części urządzenia.

Luźne ubrania, biżuteria lub długie włosy mogą zostać wciągnięte przez ruchome części narzędzia.

g) Jeżeli wraz z narzędziem dostarczone zostało wyposażenie służące do odprowadzania pyłów, należy pamiętać o jego właściwym podłączeniu i używaniu.

Właściwe zbieranie i odprowadzanie pyłu zmniejsza zagrożenia związane z jego obecnością.

4) Obsługa i konserwacja narzędzi elektrycznych

a) Nie używać narzędzia elektrycznego ze zbyt dużą siłą. Należy stosować narzędzie odpowiednie dla wykonywanej pracy.

Narzędzie przeznaczone do określonej pracy wykona ją lepiej i w sposób bardziej bezpieczny, pracując z zalecaną prędkością.

b) Nie należy używać narzędzia, którego wyłącznik jest uszkodzony.

Każde urządzenie, które nie może być właściwie włączane i wyłączane, stanowi zagrożenie i musi zostać naprawione.

c) Należy zawsze odłączać urządzenie z sieci zasilania i/lub baterii przed przystąpieniem do jakichkolwiek modyfikacji, wymiany akcesoriów itp. oraz kiedy urządzenie nie będzie używane przez dłuższy czas.

Powyższe środki mają na celu wyeliminowanie ryzyka nieoczekiwanego uruchomienia urządzenia.

d) Nieużywane narzędzia elektryczne powinny być przechowywane w miejscu niedostępnym dla dzieci oraz osób, które nie znają zasad ich obsługi lub niniejszych zaleceń.

Korzystanie z narzędzi elektrycznych przez osoby, które nie zostały przeszkolone, może stanowić zagrożenie.

e) Należy dbać o odpowiednią konserwację narzędzi elektrycznych. Przed rozpoczęciem pracy należy sprawdzić, czy ruchome części urządzenia nie są wygięte, uszkodzone lub pęknięte i czy nie występują jakiegokolwiek inne okoliczności, które mogłyby uniemożliwić bezpieczną pracę urządzenia.

W razie uszkodzenia przed kolejnym użyciem narzędzie musi zostać naprawione.

Wiele wypadków następuje z powodu nieprawidłowej konserwacji narzędzi elektrycznych.

- f) **Narzędzia tnące powinny być zawsze ostre i czyste.**
Narzędzia tnące powinny być utrzymywane w odpowiednim stanie, a ich krawędzie muszą być odpowiednio ostre - zmniejsza to ryzyko wygięcia i ułatwia obsługę narzędzia.
 - g) **Należy zawsze obsługiwać narzędzie, jego akcesoria takie jak wiertła itp. w sposób zgodny z zaleceniami niniejszej instrukcji, biorąc pod uwagę warunki robocze oraz rodzaj wykonywanej pracy.**
Używanie narzędzia do celów niezgodnych z jego przeznaczeniem może spowodować niebezpieczeństwo.
- 5) **Serwis**
- a) **Narzędzia elektryczne mogą być naprawiane wyłącznie przez uprawnionych techników serwisowych, przy zastosowaniu oryginalnych części zamiennych.**
Zapewnia to utrzymanie bezpieczeństwa obsługi urządzenia.

UWAGA

Dzieci i osoby niepełnosprawne muszą pozostawać w bezpiecznej odległości od narzędzia.

Nie używane narzędzia elektryczne powinny być przechowywane w miejscu niedostępnym dla dzieci i osób niepełnosprawnych.

WSKAZÓWKI DOTYCZĄCE BEZPIECZNEGO UŻYTKOWANIA WIERTARKI UDAROWEJ

1. **Podczas pracy z wiertarką udarową należy nosić słuchawki ochronne.**
Wysoki poziom hałasu może powodować utratę słuchu.
2. **Korzystać z uchwytów pomocniczych dostarczanych wraz z urządzeniem.**
Utrata kontroli nad urządzeniem może spowodować obrażenia ciała.

DANE TECHNICZNE

Napięcie (w zależności od miejsca)*		(110V, 115V, 120V, 127V, 220V, 230V, 240V) ∪
Moc pobierana		550W*
Prędkość bez obciążenia		0-2900 min ⁻¹
Wydajność	Stal	13 mm
	Beton	16 mm
	Drewno	25 mm
Waga (bez kabla)		1,6 kg

*Sprawdź nazwę produktu, jako że ulega ona zmianie w zależności od miejsca zakupu.

WYPOSAŻENIE STANDARDOWE

Dla całego obszaru

- (1) Uchwyt boczny 1
- (2) Ogranicznik głębokości 1

Dla części obszaru

- (1) Klucz do uchwytu 1
(do uchwytu wiertarskiego z kluczem)
 - (2) Obudowa plastikowa 1
- Wypożyczenie standardowe może ulec zmianie bez uprzedzenia.

ZASTOSOWANIE

- Jednoczesne używanie funkcji OBROTU i UDERZENIA: Wiercenie w betonie, marmurze, granicie, płytkach i tym podobnych materiałach.
- Funkcja OBROTU: Wiercenie otworów w metalu, drewnie, tworzywach sztucznych.
Dokręcanie śrub do drewna.

PRZED UŻYCIEM

1. **Źródło mocy**
Upewnij się, że źródło mocy jest zgodne z wymogami mocy zaznaczonymi przy nazwie produktu.
2. **Przełącznik**
Upewnij się, że przełącznik jest wyłączony (pozycja OFF). Jeśli wtyczka jest włączona do prądu gdy

przełącznik jest włączony (pozycja ON), narzędzie zacznie działać natychmiast, co może spowodować poważny wypadek.

3. **Przedłużacz**
Kiedy miejsce pracy znajduje się daleko od źródła prądu, użyj przedłużacza o wystarczającym przekroju. Przedłużacz powinien być tak krótki, jak tylko jest to możliwe i wartości znamionowej.
4. **Mocowanie uchwytu bocznego**
Załóż uchwyt boczny na część montażową. Obróć rączkę uchwytu bocznego w kierunku zgodnym z ruchem wskazówek zegara zaciskając uchwyt. Najpierw wybierz takie ustawienie uchwytu bocznego, by móc wygodnie używać młotowiertarki, dopiero wtedy zaciśnij uchwyt.
5. **Mocowanie i wyjmowanie wiertła.**

Dla uchwytów bez klucza

- (1) Zakładanie wiertła
Po włożeniu wiertła itp. do otworu uchwytu bez klucza, mocno przytrzymać pierścien i obrócić tuleję w prawo (w kierunku zgodnym z ruchem wskazówek zegara, patrząc od przodu). (Patrz **Rys. 1**)
- Jeżeli tuleja poluzuje się podczas pracy, należy ją dokręcić. Im mocniej dokręcona tuleja, tym większa jest siła utrzymująca wiertło.
- (2) Wyjmowanie wiertła
Mocno trzymając pierścien, poluzować tuleję, przekręcając w lewo (w kierunku przeciwnym do ruchu wskazówek zegara, patrząc od przodu). (Patrz **Rys. 1**)

WSKAZÓWKI

Jeżeli tuleja nie może być dalej poluzowana, należy umocować do niej uchwyt boczny. Następnie, aby

poluzować tuleję, należy przesunąć zacisk uchwyty boczny w lewo, przytrzymując pierścień ręką. (Rys. 2)

UWAGA

Nie należy mocować uchwyty boczny do pierścienia uchwyty wiertła bez klucza, gdyż może to spowodować uszkodzenie pierścienia.

Uchwyt wiertarski z kluczem

Włożyć wiertło do uchwyty, a następnie zamocować za pomocą klucza, zaciskając uchwyty po kolei poprzez trzy otwory. (Rys. 3)

6. Wybór odpowiedniego wiertła

- Do wiercenia w betonie lub kamieniu
Należy używać wiertła do betonu.
- Do wiercenia w metalu lub plastiku
Używaj normalnych wiertła do metalu.
- Do wiercenia w drewnie
Używaj normalnych wiertła do drewna.
Przy wierceniu otworów mniejszych, niż 6,5 mm, używaj jednak wiertła do metalu.

7. Wybór wkrętaka

Łby śrub lub wkrętak mogą zostać uszkodzone, jeżeli nie jest używany wkrętak o średnicy odpowiadającej śrubie.

8. Sprawdzanie kierunku obrotów (Rys. 4)

Wiertło obraca się w kierunku zgodnym z ruchem wskazówek zegara (patrzak od tyłu) po wciśnięciu przycisku ze strony oznaczonej literą R.

Wciśnięcie przycisku ze strony oznaczonej literą L służy do włączania obrotów w kierunku przeciwnym do ruchu wskazówek zegara.

(Literey (L) i (R) są umieszczone na obudowie narzędzia.)

UWAGA

- Nie należy nigdy zmieniać kierunku obrotu wiertła podczas pracy.
Przed zmianą kierunku obrotu wiertła należy WYŁĄCZYĆ urządzenie; w przeciwnym wypadku nastąpi spalanie silnika.
 - Przy pracy z włączoną funkcją obracania i udaru należy używać tylko kierunku zgodnego z ruchem wskazówek zegara.
- 9. Przelączenie z funkcji UDERZENIA na OBROTY (Rys. 5)**
Przy użyciu wiertła udarowych, możliwa jest zmiana funkcji z UDAR (udar i obracanie) na OBRÓT (tylko obracanie), zmieniając położenie dźwigni. Podczas wiercenia otworów w betonie, kamieniu, płytkach lub podobnych materiałach, należy ustawić dźwignię po stronie prawej. Końcówka wiertła równocześnie uderza w materiał i obraca się.
Podczas wiercenia otworów w metalu, drewnie lub tworzywach sztucznych, należy ustawić dźwignię po stronie lewej. Wiertło tylko obraca się, tak jak w zwykłej wiertarce elektrycznej.

UWAGA

Nie używaj funkcji UDERZENIA, jeżeli w danym materiale można wiercić otwory przy użyciu tylko funkcji obrotowej. Nie tylko zmniejszyłoby to skuteczność wiercenia, ale także mogłoby doprowadzić do uszkodzenia wiertła.

JAK UŻYWAĆ MŁOTOWIERTARKI

1. Nacisk

Wiercenie NIE będzie szybsze przy większym nacisku wiertła. Może to jedynie spowodować uszkodzenie

wiertła, zmniejszenie wydajności pracy i/lub trwałości wiertarki.

2. Używanie wiertła o dużej średnicy

Im większa średnica wiertła, tym większa siła odpychająca działająca na rękę osoby używającej wiertarki. Należy uważać, aby z powodu tej siły nie utracić panowania nad wiertarką. W celu zachowania pełnej kontroli, należy stać stabilnie i mocno utrzymywać wiertarkę obiema rękami, pamiętając, aby wiertło prowadzić prostopadłe do materiału.

3. Przewiercanie otworów w materiale

Jeżeli materiał ma zostać przewiercony na wylot, należy zwracać uwagę, aby wiertło lub sama wiertarka nie zostały uszkodzone z powodu nagłego ruchu urządzenia z chwilą przewiercenia materiału. Należy zawsze zachować gotowość zwolnienia nacisku wiertarki na materiał podczas przewiercania otworów.

4. Włączanie

- Gdy spust jest wciśnięty, to narzędzie pracuje. Gdy spust zostanie zwolniony, narzędzie się zatrzyma.
- Prędkością obrotową wiertła można sterować różnicując stopień wciśnięcia spustu. Prędkość jest mniejsza, gdy spust jest wciśnięty tylko trochę i wzrasta przy dalszym jego wciskaniu.
- Pożądaną prędkość obrotów można ustawić wcześniej pokrętłem kontroli prędkości.
By zwiększyć prędkość obrotów obróć pokrętło kontroli prędkości w kierunku zgodnym z ruchem wskazówek zegara, by prędkość zmniejszyć – w kierunku odwrotnym. (Rys. 6)

- Wciśnięcie zatyczki po wciśnięciu spustu włącza narzędzie w tryb pracy, co jest przydatne przy pracy ciąglej. Aby wyłączyć zatyczkę, należy ponownie wcisnąć spust.

UWAGA

Przy wierceniu w drewnie należy używać maksymalnej prędkości roboczej.

5. Rady dotyczące wkręcania wkrętów do drewna

- (1) Wybrać odpowiedni wkrętak
W miarę możliwości należy użyć wkrętów z wgłębieniem krzyżowym, gdyż narzędzie może łatwo zeslizgnąć się z wkrętów z rowkiem.
- (2) Wkręcanie wkrętów do drewna
 - Przed przystąpieniem do wkręcania wkrętów do drewna, wykonać odpowiednie otwory w płycie drewnianej. Włożyć wkrętak w rowki wkrętów, a te delikatnie wprowadzić do wykonanych otworów.
 - Przez krótki okres czasu obracać wkrętak bardzo powoli, aż do momentu, kiedy wkręt częściowo wejdzie w drewno, a następnie nacisnąć przycisk spustowy nieco mocniej, aby zwiększyć siłę wkręcania.

UWAGA

- Przy wykonywaniu otworów przeznaczonych na wkręty, należy zwrócić uwagę na twardość drewna.
Jeżeli otwór będzie zbyt mały lub płytki, wkręcenie wkrętu będzie wymagało więcej siły, co może spowodować uszkodzenie gwintu.
- Nie używać wkrętów do metalu.

KONSERWACJE I PRZEGLĄDY

1. Kontrola wiertła

Ciągle używanie zużytego i/lub uszkodzonego wiertła może spowodować mniejszą wydajność pracy oraz poważne przeciążenia silnika. Należy często sprawdzać

stan wiertła, a w razie konieczności wymienić je na nowe.

2. Kontrola śrub mocujących

Regularnie sprawdzaj, czy wszystkie śruby mocujące są dokręcone. Jeżeli jakkolwiek z nich się poluzowała, to natychmiast ją dokręć. W innym razie mogłoby to doprowadzić do poważnego wypadku.

3. Konserwacja silnika

Wirmik silnika jest sercem tego urządzenia elektrycznego. Zadbaj, by wirnik nie został uszkodzony i/lub nie zawilgotniał lub nie pokrył się olejem.

4. Serwisowanie

W przypadku awarii elektrycznej, należy skontaktować się z Autoryzowanym Punktem Serwisowym Hitachi.

5. Lista części zamiennych

A: Nr części

B: Nr kodu

C: Ilość użytych części

D: Uwagi

UWAGA

Naprawy, modyfikacji i kontroli Narzędzi Elektrycznych Hitachi może dokonywać tylko Autoryzowane Centrum Obsługi Hitachi.

Ta lista części będzie przydatna, jeśli zostanie wręczona Autoryzowanemu Centrum Obsługi Hitachi, gdy zaniesiemy narzędzie do naprawy lub przeglądu.

Podczas używania i konserwacji narzędzi elektrycznych należy przestrzegać przepisów i norm bezpieczeństwa danego kraju.

MODYFIKACJE

Narzędzia elektryczne Hitachi są ciągle ulepszone i modyfikowane w celu wprowadzania najnowszych osiągnięć nauki i techniki.

W związku z tym pewne części (a także numery kodów i konstrukcja) mogą ulec zmianom bez uprzedzenia.

GWARANCJA

Gwarancja na elektronarzędzia Hitachi jest udzielana z uwzględnieniem praw statutowych i przepisów krajowych. Gwarancja nie obejmuje wad i uszkodzeń powstałych w wyniku niewłaściwego użytkowania lub wynikających z normalnego zużycia. W wypadku reklamacji należy dostarczyć kompletne elektronarzędzie do autoryzowanego centrum serwisowego Hitachi wraz z KARTĄ GWARANCYJNĄ znajdującą się na końcu instrukcji obsługi.

WSKAZÓWKA

W związku z prowadzonym przez Hitachi programem badań i rozwoju, specyfikacje te mogą się zmienić w każdej chwili bez uprzedzenia.

Informacja dotycząca poziomu hałasu i wibracji

Mierzone wartości były określone według EN60745 i zadeklarowane zgodnie z ISO 4871.

Zmierzony poziom dźwięku A: 104 dB (A)

Zmierzone ciśnienie akustyczne A: 93 dB (A)

Niepewność KpA: 3 dB (A)

Noś słuchawki ochronne.

Wartość całkowita wibracji (trójosiowa suma wektorowa), określona zgodnie z postanowieniami normy EN60745.

Wiercenie udarowe:

wartość emisji wibracji $a_h = 24,1 \text{ m/s}^2$

Niepewność K = 1,5 m/s^2

OSTRZEŻENIE

- Wartość emisji wibracji podczas pracy narzędzia elektrycznego może różnić się od podanej wartości w zależności od sposobu wykorzystywania narzędzia.
- Aby określić środki bezpieczeństwa wymagane do ochrony operatora zgodnie z szacowaną wartością narażenia na zagrożenie w zależności od rzeczywistych warunków użytkowania (uwzględniając wszystkie etapy cyklu roboczego, a także przerwy w pracy urządzenia oraz praca w trybie gotowości).

SZERSZÁMGÉPEKRE VONATKOZÓ ÁLTALÁNOS BIZTONSÁGI FIGYELMEZTETÉSEK

⚠ FIGYELEM

Olvasson el minden biztonsági figyelmeztetést és minden utasítást.

A figyelmeztetések és utasítások be nem tartása áramütést, tüzet és/vagy súlyos sérülést eredményezhet.

Őrizzon meg minden figyelmeztetést és utasítást a jövőbeni hivatkozás érdekében.

A "szerszámgép" kifejezés a figyelmeztetésekben a hálózatról működő (vezetékes) vagy akkumulátorról működő (vezeték nélküli) szerszámgép-re vonatkozik.

1) Munkaterületi biztonság

a) **Tartsa a munkaterületet tisztán és jól megvilágítva.**

A teleszűfolt vagy sötét területek vonzzák a baleseteket.

b) **Ne üzemeltesse a szerszámgépeket robbanásveszélyes atmoszférában, mint például gyúlékony folyadékok, gázok vagy por jelenlétében.**

A szerszámgépek szikrákat keltenek, amelyek meggyújthatják a port vagy gőzöket.

c) **Tartsa távol a gyermekeket és körülállókat, miközben a szerszámgépet üzemelteti.**

A figyelmelvonás a kontroll elvesztését okozhatja.

2) Érintésvédelem

a) **A szerszámgép dugaszoknak meg kell felelniük az aljzatnak.**

Soha, semmilyen módon ne módosítsa a dugaszt.

Ne használjon semmilyen adapter dugaszt földelt szerszámgépekkel.

A nem módosított dugaszok és a megfelelő aljzatok csökkentik az áramütés kockázatát.

b) **Kerülje a test érintkezését földelt felületekkel, mint például csövekkel, radiátorokkal, tűzhelyekkel és hűtőszekrényekkel.**

Az áramütés kockázata megnövekszik, ha a teste földelve van.

c) **Ne tegye ki a szerszámgépeket esőnek vagy nedves körülményeknek.**

A szerszámgépbe kerülő víz növeli az áramütés kockázatát.

d) **Ne rongálja meg a vezetéket. Soha ne használja a vezetéket a szerszámgép szállítására, hűtésére vagy kihűtésére.**

Tartsa távol a vezetéket a hőtől, olajtól, éles szegélyektől vagy mozgó alkatrészekről.

A sérült vagy összekuszálódott vezetékek növelik az áramütés kockázatát.

e) **Szerszámgép szabadban történő üzemeltetése esetén használjon szabadtéri használatra alkalmas hosszabbító kábelt.**

A szabadtéri használatra alkalmas kábel használata csökkenti az áramütés kockázatát.

f) **Ha elkerülhetetlen a szerszámgép nyirkos helyen történő használata, használjon maradékáram-készülékkel (RCD) védett táplálást.**

Az RCD használata csökkenti az áramütés kockázatát.

3) Személyi biztonság

a) **Álljon készenlétben, figyelje, hogy mit tesz, és használja a józan esztét a szerszámgép üzemeltetésekor.**

Ne használja a szerszámgépet fáradtan, kábítószert, alkoholt vagy gyógyszer befolyása alatt.

A szerszámgépek üzemeltetése közben egy pillanatnyi figyelmetlenség súlyos személyi sérülést eredményezhet.

b) **Használjon személyi védőfelszerelést. Mindig viseljen védőszemüveget.**

A megfelelő körülmények esetén használt védőfelszerelés, mint például a porálar, nem csúszó biztonsági cipő, kemény sisak, vagy hallásvédő csökkenti a személyi sérüléseket.

c) **Előzze meg a véletlen elindítást. Győződjön meg arról, hogy a kapcsoló a KI helyzetben van, mielőtt csatlakoztatja az áramforráshoz és/vagy az akkumulátorcsomaghoz, amikor felveszi vagy szállítja a szerszámot.**

A szerszámgépek szállítása úgy, hogy az ujj a kapcsolón van vagy a bekapcsolt helyzetű szerszámgép áram alá helyezése vonzza a baleseteket.

d) **Távolítson el minden állítótkulcsot vagy csavarulkcsot, mielőtt bekapcsolja a szerszámgépet.**

A szerszámgép forgó részéhez csatlakoztatva hagyott csavarulkcs vagy kulcs személyi sérülést eredményezhet.

e) **Ne nyúljon át. Mindenkor álljon stabilan, és őrizzon meg egyensúlyát.**

Ez lehetővé teszi a szerszámgép jobb ellenőrzését váratlan helyzetekben.

f) **Öltözzön megfelelően. Ne viseljen laza ruházatot vagy ékszert. Tartsa távol a haját, ruházatát és kesztyűjét a mozgó részekről.**

A laza ruházat, ékszer vagy hosszú haj beakadhat a mozgó részekbe.

g) **Ha vannak rendelkezésre bocsátott eszközök a porszivó és gyűjtő létesítmények csatlakoztatásához, gondoskodjon arról, hogy ezek csatlakoztatva és megfelelően használva legyenek.**

A porgyűjtő használata csökkentheti a porhoz kapcsolódó veszélyeket.

4) A szerszámgép használata és ápolása

a) **Ne erőltesse a szerszámgépet. Használjon az alkalmazásához megfelelő szerszámgépet.**

A megfelelő szerszámgép jobban és biztonságosabban végzi el a feladatot azon a sebességen, amelyre azt tervezték.

b) **Ne használja a szerszámgépet, ha a kapcsoló nem kapcsolja azt be és ki.**

Az a szerszámgép, amely a kapcsolóval nem vezérelhető, veszélyes és meg kell javítani.

c) **Húzza ki a dugaszt az áramforrásból és/vagy az akkumulátorcsomagot a szerszámgépéből, mielőtt bármilyen beállítást végez, tartozékokat cserél vagy tárolja a szerszámgépeket.**

Az ilyen megelőző biztonsági intézkedések csökkentik a szerszámgép véletlen beindulásának kockázatát.

d) **A használaton kívüli szerszámgépeket tárolja úgy, hogy gyermekek ne érhessek el, és ne engedje meg, hogy a szerszámgépet vagy ezeket az utasításokat nem ismerő személyek üzemeltessék a szerszámgépet.**

Képzetlen felhasználók kezében a szerszámgépek veszélyesek.

e) **A szerszámgépek karbantartása. Ellenőrizze a helytelen beállítás, a mozgó részek elakadása, alkatrészek törése és minden olyan körülmény szempontjából, amelyek befolyásolhatják a szerszám működését.**

Ha sérült, használat előtt javíttassa meg a szerszámot. Sok balesetet a rosszul karbantartott szerszámgépek okoznak.

f) **A vágószerszámokat tartsa élesen és tisztán.**

Az éles vágóélekkel rendelkező, megfelelően karbantartott vágószerszámok kevésbé valószínűleg akadnak el és könnyebben kezelhetők.

- g) A szerszámgép tartozékait és betétkéseit, stb. használja ezeknek az utasításoknak megfelelően, figyelembe véve a munkakörülményeket és a végzendő munkát.
A szerszámgép olyan műveletekre történő használata, amelyek különböznek a szándékolttól, veszélyes helyzetet eredményezhet.

5) Szerviz

- a) A szerszámgépét képesített javító személyvel szervizeltesse, csak azonos cserealkatrészek használatával.
Ez biztosítja, hogy a szerszámgép biztonsága megmaradjon.

VIGYÁZAT

Tartsa távol a gyermekeket és beteg személyeket. Amikor nincs használatban, a szerszámokat úgy kell tárolni, hogy gyermekek és beteg személyek ne érhessek el.

ÜTVEFŰRÓGÉP - BIZTONSÁGI FIGYELMEZTETÉSEK

- Az ütvefűrőgép használata közben viseljen fülvédőt.**
A zajnak való kitettség halláskárosodást okozhat.
- Használja a szerszámgéphez mellékelt kiegészítő fogantyút.**
Az ellenőrzés elvesztése személyi sérülést okozhat.

MŰSZAKI ADATOK

Feszültség (terület szerint)*	(110V, 115V, 120V, 127V, 220V, 230V, 240V) ~	
Névleges teljesítményfelvétel	550W*	
Üresjáratú fordulatszám	0–2900 min ⁻¹	
Kapacitás	Acél	13 mm
	Beton	16 mm
	Fa	25 mm
Súly (tápkábel nélkül)	1,6 kg	

* Ne felejtse el ellenőrizni a típus táblán feltüntetett adatokat, mivel ezek területenként változnak!

STANDARD TARTOZÉKOK

Az egész területre	
(1) Oldalfogantyú	1
(2) Mélységmérő	1
A részterületekre	
(1) Tokmánykulcs	1
(A tokmánykulcsos fúrótokmányhoz)	
(2) Műanyag táská	1
A standard tartozékok előzetes bejelentés nélkül változhatnak.	

FELHASZNÁLÁSI TERÜLETEK

- FORGÁS és ÜTVEFŰRÁS:
Lyukak fúrása betonba, márványba, gránitba, csempébe és hasonló anyagokba.
- FORGÁS:
Lyukak fúrása fémbe, fába és műanyagba.
Facsarok meghúzása.

ÜZEMBEHELYEZÉS ELŐTTI TENNIVALÓK

- Áramforrás**
Ügyeljen rá, hogy a készülék adattábláján feltüntetett feszültség értéke megegyezzen az alkalmazni kívánt hálózati feszültséggel.
- Hálózati kapcsoló**
Ügyeljen rá, hogy a hálózati kapcsoló KI állásba legyen kapcsolva. Ha a csatlakozódugót úgy csatlakoztatja a dugaszolóaljzatba, hogy a hálózati kapcsoló BE állásban van, akkor a kéziszerszám azonnal működésbe lép, ami súlyos balesetet idézhet elő.
- Hosszabbító vezeték**
Ha a munkaterület az áramforrástól távol található, akkor egy megfelelő keresztmetszetű és teljesítményű

hosszabbító vezetékkel kell alkalmazni. A hosszabbító vezeték a lehető legrövidebb legyen.

4. Az oldalfogantyú rögzítése

Csatlakoztassa az oldalfogantyút a befogórészbe. A rögzítéshez forgassa az oldalfogantyút karmantyúját az óramutató járásával megegyező irányba. Állítsa az oldalfogantyút olyan helyzetbe, hogy az megfeleljen a műveletnek, majd pedig biztonságosan szorítsa meg az oldalfogantyút karmantyúját.

5. A hegy felszerelése és eltávolítása.

A kulcs nélküli tokmányhoz

- A fúrófej behelyezése
A behajtófej stb. a kulcs nélküli fúrótokmányba helyezése után erősen markolja meg a gyűrűt és szorítsa meg a karmantyút annak jobbra fordításával (előlnézetből az óramutató járásával megegyező irányba). (Lásd az **1. ábra**)
- Ismét szorítsa meg a karmantyút, ha az használat közben kilazult. A meghúzás ereje nagyobbá válik, ha a karmantyú már valamennyire meg van szorítva.
- A fúrófej kiszérése
Erősen markolja meg a gyűrűt és lazítsa meg a karmantyút annak balra fordításával (előlnézetből az óramutató járásával ellentétes irányba). (Lásd az **1. ábra**)

MEGJEGYZÉS

Ha a karmantyú nem lazítható meg, rögzítse az oldalfogantyút a hüvelyhez. Ezután a karmantyú megmozdításához fordítsa el az oldalfogantyú markolatát balra, miközben kezével tartsa a gyűrűt. (**2. ábra**).

FIGYELEM

A gyűrű sérülésének veszélye miatt ne rögzítse az oldalfogantyút a kulcs nélküli tokmány gyűrűjéhez.

A tokmánykulcsos fúrótokmányhoz

Helyezze be a fúrófejet a tokmányba és rögzítse a tokmánykulccsal úgy, hogy a tokmánykulcsot mindhárom nyílásban elforgatja. (**3. ábra**)

6. A megfelelő fűrőhegy kiválasztása

- Beton vagy a kő fúrása esetén
Használjon betonhoz való fűrőfejeket.
- Fém vagy műanyag fúrása esetén
Használjon normál fémmegmunkáló fűrőhegyet.
- Ha fúrása esetén
Használjon normál fagegmunkáló fűrőhegyet.
Ha azonban 6,5 mm-es vagy ennél kisebb lyukakat fúr, használjon fémmegmunkáló fűrőhegyet.

7. A behajtófej kiválasztása

A csavar feje vagy a behajtófej megrongálódhat, amennyiben nem a csavar átmérőjének megfelelő fejet használ a csavar behajtásához.

8. Ellenőrizze a forgásirányt (4. ábra)

(A szerszám végétől szemlélve) a nyomógomb jobboldalának (R) megnyomását követően a hegy az óramutató járásával megegyező irányban forog. A hegy óramutató járásával ellenkező irányban történő forgatásához nyomja meg a nyomógomb baloldalát (L). (Az (L) és az (R) jelöléseket a szerszám házában találja meg.)

FIGYELEM

- Használat közben soha ne változtassa meg a fej forgásirányát.
A forgásirány átkapcsolása előtt minden esetben kacsolja KI a készüléket; ellenkező esetben a motor leég.
- Ha az útvefűrőgépet útvefűrőként használja, akkor azt mindig az óramutató járásával megegyező fúrásiránnyal használja.

9. Átkapcsolás ÜTVEFÚRÁS-ról FORGÁS-ra (5. ábra)

Az útvefűrőgép IMPACT (ütés és fúrás) üzemmódból az üzemmód váltó kar elcsúsztatásával egyszerűen ROTATION (csak fúrás) üzemmódba állítható. Beton, kő, csempe vagy hasonló keménységű anyag fúrásakor csúsztassa el az üzemmód váltó kart jobbra. A fűrőfej a fúrás mellett üto hatást is kifejt az anyagra.

Fém, fa vagy műanyag fúrásakor az üzemmód váltó kart csúsztassa el teljesen balra. Ilyenkor a fűrőfej a hagyományos fűrőgépekhez hasonlóan egyszerűen forog.

FIGYELEM

Ne használjon útvefűrő-gépet az ÜTVEFÚRÁS funkcióban, ha az anyagot csak forgással lehet fúrni. Az ilyen lépés nem csupán a fúrás hatékonyságát csökkenti, de károsíthatja a fűrőhegyet is.
A váltáskor ügyeljen arra, hogy az üzemmód váltó kart addig csúsztassa, amíg lehetséges.

HASZNÁLAT**1. Nyomás**

A fűrőra gyakorolt nagy nyomás hatására a fúrási sebesség NEM növekszik. Az ilyen használat a fűrőfej megrongálódását, csökkenő fúrási hatékonyságot és/vagy a fűrő rövidebb élettartamát eredményezi.

2. Nagy átmérőjű fűrőfej használata

A fűrőfej ármérőjének nagyságával egyenesen arányos a felhasználó kezére ható erő nagysága. Legyen óvatos, nehogy a túl nagy ellenőri miatt elveszítse a szerszámgép feletti uralmat. A szilárd tartás érdekében vegyen fel stabil lábállást, tartsa a fűrőt mindkét kezével és merőlegesen a fúrni kívánt anyagra.

3. A fűrő használata az anyag teljes átfúrásakor

Amikor a fűrőfej teljesen átfúrja az anyagot, a gondatlan kezelés következtében bekövetkező hirtelen mozgás

gyakran okozza a fűrőfej törését vagy a fűrő károsodását. Mindig legyen óvatos és kész arra, hogy a kellő pillanatban megszüntesse a fűrőra nehezedő nyomást, miközben az anyag teljes átfúrását végzi.

4. A kapcsoló működtetése

- A kapcsoló megnyomásakor a szerszám forog. Ha a kapcsolót felengedjük, akkor a szerszám megáll.
- A fűrő forgási sebességét a kapcsoló megnyomásának intenzitását változtatva tudjuk szabályozni. A kapcsoló enyhe megnyomásakor a fűrő sebessége alacsony, és a nyomás fokozásával a sebesség is növekszik.
- A kívánt forgási sebességet a fordulatszám szabályzóval előre is kiválaszthatjuk.
Magasabb fordulatszámhoz fordítsuk el a fordulatszám szabályozót az óramutató járával megegyező irányban, alacsonyabb fordulatszámhoz pedig az óramutató járásával ellenkező irányban. (6. ábra)
- A kapcsoló és az ütköző együttes megnyomásakor a fűrő olyan bekapcsolt állapotban marad, amely kényelmes a folyamatos működéshöz. Kikapcsoláskor az ütköző a kapcsoló ismételt megnyomásával lehet oldani.

FIGYELEM

Fa anyagok fúrásakor használja a maximális forgási sebességet.

5. Facsavark behajtása

- (1) Az megfelelő behajtófej kiválasztása
Ha lehetséges, használjon csillagcsavarkat, mivel a hornyos fejú csavark fejről a behajtófej könnyen lecsúszhat.
- (2) Facsavark behajtása
 Facsavark behajtása előtt, fúrjon a csavar méretének megfelelő lyukakat az anyagba. Illesse a behajtófejet a csavar hornyaihoz, és enyhe nyomással hajtsa be a csavart a lyukba.
- Miután alacsony fordulatszámon a csavart már részben behajtotta a lyukba, nyomja meg jobban a ravaszt az optimális erő eléréséhez.

FIGYELEM

- A facsavarnak megfelelő lyuk előkészítésekor vegye figyelembe a fa keménységét is.
Ha a lyuk nem elég széles vagy mély, a csavar behajtásához túl nagy erőfőjtésre lesz szükség, ami a csavar menete károsodását okozhatja.
- Ne hajtsa be gépcavarkat.

ELLENŐRZÉS ÉS KARBANTARTÁS**1. A fűrőhegyek ellenőrzése**

Kopt és/vagy sérült fűrőfej további használata csökkenti a fúrás hatékonyságát, és a motor túlterhelését okozhatja. Gyakran ellenőrizze a fűrőfej állapotát, és szükség esetén cserélje.

2. A tartócsavarok ellenőrzése

Rendszeresen ellenőrizze az összes tartócsavart, és gondoskodjon arról, hogy azok szorosan meg legyenek húzva. Ha bármelyik csavar kilazulna, azonnal húzza meg őket. Ennek elmulasztása ugyanis súlyos veszélyt okozhat.

3. A motor karbantartása

Az elektromos szerszám lelke a motor tekeréscselése. Ügyeljen arra, hogy a tekeréscselés ne sérüljön meg és ne érje olaj vagy víz.

4. Szerviz

A szerszámgép meghibásodása esetén forduljon a hivatalos Hitachi márkaszervizhez.

5. Szervizelési alkatrészlista

- A: Alkatrész-szám
- B: Kódszám
- C: Használt darabszám
- D: Megjegyzések

FIGYELEM

Hitachi kéziszerszámok javítását, módosítását és ellenőrzését csak Hitachi Szakszervíz végezheti.

Javítás vagy egyéb karbantartás esetén hasznos ha ezt a szerviz-alkatrész listát a szerszámmal együtt átadjuk a Hitachi Szakszervíznek.

A kéziszerszámok üzemeltetése és karbantartása során be kell tartani az egyes országokban érvényben lévő biztonsági rendelkezéseket és szabványokat.

MÓDOSÍTÁSOK

A Hitachi kéziszerszámok állandó tökéletesítéseken mennek át, hogy alkalmazni tudják a legújabb műszaki fejlesztések eredményeit.

Éppen ezért egyes alkatrészek (azok kódszámai illetve kiviteli módjai) előzetes bejelentés nélkül megváltozhatnak.

GARANCIA

A Hitachi Power Tools szerszámokra a törvényes/országos előírásoknak megfelelő garanciát vállalunk. A garancia nem vonatkozik a helytelen vagy nem rendeltetésszerű használatból, továbbá a normál mértékűnek számító elhasználódásból, kopásból származó meghibásodásokra, károokra. Reklamáció esetén kérjük, küldje el a - nem szétszerelt - szerszámot a kezelési útmutató végén található GARANCIA BIZONYLATTAL együtt a hivatalos Hitachi szervizközpontba.

MEGJEGYZÉS

A HITACHI folyamatos kutatási és fejlesztési programja következtében az itt szereplő műszaki adatok előzetes bejelentés nélkül változhatnak.

A környezeti zajra és vibrációra vonatkozó információk

A mért értékek az EN60745 szabványnak megfelelően kerültek meghatározásra és az ISO 4871 alapján kerülnek közzétételre.

Mért A hangteljesítmény-szint: 104 dB (A)

Mért A hangnyomás-szint: 93 dB (A)

Bizonytalanság KpA: 3 dB (A)

Viseljen hallásvédelmi eszközt.

EN60745 szerint meghatározott rezgési összértékek (háromtengelyű vektorösszeg).

Ütvefűrés:

Rezgési kibocsátási érték $a_h = 24,1 \text{ m/s}^2$

Bizonytalanság K = $1,5 \text{ m/s}^2$

FIGYELEM

- A rezgési kibocsátási érték a szerszám gép tényleges használata során különbözhet a megadott értéktől a szerszám használatának módjaitól függően.
- A kezelő védelméhez szükséges biztonsági intézkedések azonosításához, amelyek a használat tényleges körülményeinek való kitettség becslésén alapulnak (számításba véve az üzemeltetési ciklus minden részét, mint például az időket, amikor a szerszám ki van kapcsolva, és amikor üresjáratban fut a bekapcsolási időn túl).

OBECNÁ VAROVÁNÍ TÝKAJÍCÍ SE BEZPEČNOSTI EL. PŘÍSTROJE

⚠ UPOZORNĚNÍ

Přečtete si všechna varování týkající se bezpečnosti a všechny pokyny.

Nedodržení těchto varování a pokynů může mít za následek elektrický šok, požár a/nebo vážné zranění.

Všechna varování a pokyny si uschovejte. V budoucnu se vám mohou hodit.

Pojem "elektrický nástroj" v těchto varováních se vztahuje k vašemu elektrickému nástroji napájenému ze sítě (se šňůrou) nebo napájenému z baterie (bez šňůry).

1) Bezpečnost na pracovišti

a) Udržujte vaše pracoviště čisté a dobře osvětlené.

V důsledku nepořádku nebo tmy dochází k nehodám.

b) Neprovazujte elektrické nástroje ve výbušném ovzduší, např. v přítomnosti hořlavých kapalin, plynů či prachu.

Elektrické nástroje produkují jiskry, které by mohly zapálit prach anebo plyny.

c) Během práce s elektrickým nástrojem zabraňte přístupu dětí a přihlížejících osob.

Rozptylování by mohlo způsobit ztrátu vaší kontroly nad nástrojem.

2) Elektrická bezpečnost

a) Zástrčka elektrického nástroje musí odpovídat zásuvce.

Nikdy se nepokoušejte zástrčku jakkoli upravovat. U uzemněných elektrických nástrojů nepoužívejte žádné rozbočovací zásuvky.

Neupravované zástrčky a odpovídající zásuvky snižují nebezpečí elektrického šoku.

b) Zabraňte kontaktu s uzemněnými povrchy jako jsou trubky, radiátory, sporáky a lednice.

Je-li uzemněné vaše tělo, existuje zvýšené nebezpečí elektrického šoku.

c) Nevystavujte elektrický nástroj dešti nebo vlhkým podmínkám.

Voda, která vnikne do elektrického nástroje, zvýší nebezpečí elektrického šoku.

d) Zacházejte správně s napájecí šňůrou. Nikdy šňůru nepoužívejte k přenášení, tahání nebo odpojování elektrického nástroje ze zásuvky.

Umístěte napájecí šňůru mimo působení horka, mimo olej, ostré hrany nebo pohybující se části. Poškozené nebo zamotané šňůry zvyšují nebezpečí elektrického šoku.

e) Během provozu elektrického nástroje venku používejte prodlužovací šňůru vhodnou k venkovnímu použití.

Použití šňůry vhodné k venkovnímu použití snižuje nebezpečí elektrického šoku.

f) Pokud je použití elektrického nástroje na vlhkém místě nevyhnutelné, použijte napájení s ochranným zařízením na zbytkový proud.

Použití zařízení na zbytkový proud snižuje riziko elektrického šoku.

3) Osobní bezpečnost

a) Buďte pozorní, sledujte, co děláte a při práci s elektrickým nástrojem používejte zdravý rozum. Elektrický nástroj nepoužívejte, jste-li unavení nebo pod vlivem drog, alkoholu nebo léků.

Jediný okamžik nepozornosti při práci s elektrickým nástrojem může způsobit vážné zranění.

b) Používejte osobní ochranné pracovní pomůcky. Vždy noste ochranu očí.

Ochranné pracovní pomůcky jako respirátor, bezpečnostní obuv s protiskluzovou podrážkou, ochranná přilba nebo ochrana sluchu použité v příslušných podmínkách snižují možnost zranění.

c) Zabraňte nechtěnému spuštění. Před připojením ke zdroji napájení a/nebo bateriového zdroje, zvedáním nebo přenášením elektrického nástroje se ujistěte, že je spínač v poloze vypnuto.

Nošením elektrických nástrojů s prstem na vypínači nebo jejich aktivací s vypínačem v poloze zapnuto vzniká nebezpečí úrazu.

d) Před zapnutím elektrického nástroje odstraňte seřizovací klíč.

Klíč ponechaný připevněný k rotující části elektrického nástroje může způsobit zranění.

e) Nepřehánějte toe. Vždy si udržujte správné postavení a stabilitu.

To umožní lepší kontrolu nad elektrickým nástrojem v nepředvídaných situacích.

f) Noste správný oděv. Nenoste volné oblečení ani šperky. Vlasy, oděv a rukavice udržujte mimo pohybující se části.

Volný oděv, šperky nebo dlouhé vlasy mohou být vtaheny do pohybujících se částí.

g) Pokud jsou k dispozici zařízení k připojení přístrojů k odsávání a sběru prachu, ujistěte se, že jsou připojena a správně používána.

Použitím zařízení ke sběru prachu lze snížit rizika související s prachem.

4) Používání a péče o elektrický nástroj

a) Netlačte na elektrický nástroj. Používejte vždy vhodný elektrický nástroj pro danou aplikaci.

Správný elektrický nástroj provede daný úkol lépe a bezpečněji, rychlejší, pro jakou byl zkonstruován.

b) Nepoužívejte elektrický nástroj, pokud nefunguje jeho zapínání a vypínání pomocí vypínače.

Jákykoli elektrický nástroj, který nelze ovládat vypínačem, je nebezpečný a musí být opraven.

c) Před prováděním jakéhokoli seřízení, před výměnou příslušenství nebo uskládněním elektrických nástrojů vždy nejprve odpojte zástrčku ze zdroje napájení a/nebo odpojte bateriový zdroj.

Taková preventivní opatření snižují nebezpečí nechtěného spuštění elektrického nástroje.

d) Nepoužívané elektrické nástroje skladujte mimo dosah dětí a nedovolte, aby s elektrickým nástrojem pracovaly osoby, které nejsou seznámeny s ním nebo s pokyny k jeho používání.

Elektrické nástroje v rukou nevyškolených uživatelů jsou nebezpečné.

e) Udržujte elektrické nástroje. Kontrolujte případná vychýlení nebo sevření pohybujících se částí, poškození části a jakékoli ostatní podmínky, které mohou mít vliv na provoz elektrických nástrojů.

V případě poškození nechte elektrický nástroj před jeho dalším použitím opravit.

Mnoho nehod vzniká v důsledku nesprávné údržby elektrických nástrojů.

f) Udržujte řezací nástroje ostré a čisté.

Správně udržované řezací nástroje s ostrými řeznými hranami se méně pravděpodobně zaseknou a lépe se ovládají.

- g) Elektrický nástroj, příslušenství, vsazené části atd. **používejte v souladu s těmito pokyny. Berte přitom zřetel na pracovní podmínky a prováděnou práci.**

Použití elektrického nástroje k jinému než určenému účelu může způsobit nebezpečnou situaci.

5) Servis

- a) Servis vašeho elektrického nástroje svěřte kvalifikovanému opraváři, který použije pouze identické náhradní díly.

Tak bude i nadále zajištěna bezpečnost elektrického nástroje.

PREVENTIVNÍ OPATŘENÍ

Nedovoďte přístup dětem a slabomyslným osobám.

Pokud nástroje nepoužíváte, měli byste je skladovat mimo dosah dětí a slabomyslných osob.

TECHNICKÉ ÚDAJE

Napětí (podle příslušné oblasti)*	(110V, 115V, 120V, 127V, 220V, 230V, 240V) ~	
Příkon	550W*	
Rychlost bez zatížení	0-2900 min ⁻¹	
Kapacita	Ocel	13 mm
	Beton	16 mm
	Dřevo	25 mm
Hmotnost (bez šňůry)	1,6 kg	

* Zkontrolujte, prosíme, štítek na výrobku. Štítek podléhá změnám v závislosti na oblastech použití.

STANDARDNÍ PŘÍSLUŠENSTVÍ

Pro všechny země

- (1) Boční držadlo 1
(2) Zarážka hloubky 1

Pro některé země

- (1) Klíč sklíčidla 1
(Pro vrtákové sklíčidlo s klíčem sklíčidla)
(2) Skříň z umělé hmoty 1
Standardní příslušenství podléhá změnám bez upozornění.

POUŽITÍ

- ROTACE ve spojení s PŘÍKLEPEM:
Vrtání otvorů v betonu, mramoru, žule, dlaždicích a podobných materiálech.
- ROTACE:
Vyvrtávání otvorů do kovů, dřeva a plastů.
Dotahování šroubů do dřeva.

PŘED POUŽITÍM

1. Zdroj napětí

Ujistěte se, že používaný zdroj napětí splňuje požadavky specifikované na štítku výrobku.

2. Spínač

Ujistěte se, že spínač je v poloze VYPNUTO. Pokud je zástrčka zasunuta v zásuvce elektrického proudu a spínač je v poloze ON, zařízení začne okamžitě pracovat, a to může způsobit vážný úraz.

PŘÍKLEPOVÁ VRTAČKA BEZPEČNOSTNÍ UPOZORNĚNÍ

1. U příklepových vrtaček používejte ochranu sluchu. V důsledku vystavení hluku může dojít ke ztrátě sluchu.
2. Používejte pomocné rukojeti dodané s nářadím. V případě ztráty kontroly může dojít k poranění osob.

3. Prodlužovací kabel

Pokud je pracoviště vzdáleno od zdroje napájení, použijte prodlužovací kabel o správné tloušťce a kapacitě. Je třeba, aby prodlužovací kabel byl co nejkratší.

4. Upevnění bočního držadla

Přípevněte boční držadlo na úchyt. Otáčením bočního držadla po směru hodinových ručiček je zajistíte na úchyty. Nastavte boční držadlo do polohy vhodné k práci a poté pevně utáhněte úchyt bočního držadla.

5. Nasazení a sejmutí vrtáku.

Pro bezklíčové sklíčidlo

(1) Montáž nástavce

Po vložení utahovacího nástavce nebo podobného nástroje do bezklíčového vrtákového sklíčidla pevně uchopte kroužek a dotáhněte objímku otáčením doprava (ve směru chodu hodinových ručiček při pohledu zepředu). (Viz Obr. 1)

- Pokud se objímka během provozu uvolní, více ji dotáhněte. Když je objímka dotažená, dotahovací síla se zvýší.

(2) Demontáž nástavce

Pevně uchopte kroužek a uvolněte objímku otáčením doleva (ve směru proti chodu hodinových ručiček při pohledu zepředu). (Viz Obr. 1)

POZNÁMKA

Jestliže objímku nelze uvolnit, upevněte boční držadlo k objímce. Potom klepněte na rukojeť bočního držadla pro uvolnění objímky směrem doleva a přitom přidržujte kroužek rukou. (Obr. 2).

POZOR

Neupevňujte boční držadlo ke kroužku bezklíčového sklíčidla, neboť přítom vzniká nebezpečí poškození kroužku.

Pro vrtákové sklíčidlo s klíčem sklíčidla

Nasadte vrták do sklíčidla, pro jehož zajištění použijte klíč sklíčidla, a střídavě dotahujte sklíčidlo pomocí klíče vloženého do každého ze tří otvorů. (Obr. 3)

6. Volba správného vrtáku

- Při vrtání do betonu nebo kamene
Použijte vrtáky pro beton.
- Při vrtání do kovu nebo plastu
Použijte obyčejný vrták na kov.
- Při vrtání do dřeva
Použijte obyčejný vrták na dřevo.

Při vrtání otvorů o průměru 6,5 mm a méně však použijte vrták na kov.

7. Volba utahovacího nástavce

Pokud se nepoužije pro utahování šroubů nástavec vhodný pro průměr šroubu, může dojít k poškození hlav šroubů nebo nástavců.

8. Zkontrolujte nastavený směr otáčení (Obr. 4)

Vrták se otáčí po směru hodinových ručiček (pohled ze zadu), stiskneme-li stranu tlačítka označenou písmenem R.

Po stisknutí strany tlačítka označené písmenem L se vrták otáčí proti směru hodinových ručiček.

(Znaménka (L) a (R) jsou pouze na pouzdru zařízení.)

POZOR

- Nikdy neměňte směr otáčení nástavce během provozu. Před změnou směru otáčení nástavce vypněte hlavní vypínač; jinak může dojít ke spálení motoru.
- Při práci s příklepem používejte příklepový vrták vždy při rotaci po směru hodinových ručiček.

9. Přepnutí z režimu PŘÍKLEP do režimu ROTACE (Obr. 5)

Příklepovou vrtáčku lze přepnout z režimu PŘÍKLEP (příklep a otáčení) do režimu OTÁČENÍ (pouze otáčení) jednoduchým přesunutím přepínací páčky. Při vrtání betonu, kamene, dlaždic nebo podobného obkladového materiálu přesuňte přepínací páčku doprava. Vrtací hlava narazí do materiálu a přitom se otáčí.

Při vrtání kovu, dřeva nebo umělé hmoty přesuňte přepínací páčku zcela doleva. Vrtáčka se pouze otáčí jako běžná elektrická vrtáčka.

POZOR

Nepoužívejte příklepovou vrtáčku v režimu PŘÍKLEP v případě, že materiál lze vrtat pouze rotací. V takovém případě může příklepový režim nejen snížit účinnost vrtáčky, ale také poškodit špičku vrtáku.

Při přepínání zajistěte, aby přepínací páčka byla přesunuta do příslušné polohy zcela na doraz.

JAK POUŽÍVAT PŘÍKLEPOVOU VRTÁČKU**1. Tlak**

Vrtání se NEURÝCHLÍ, když vyvinete velký tlak na vrtáčku. Takový postup při práci způsobí pouze poškození vrtáku, snížení účinnosti vrtání a/nebo zkrácení životnosti vrtáku.

2. Použití vrtáku s velkým průměrem

Čím větší je průměr vrtáku, tím větší je reakční síla působící na Vaši ruku. Dejte pozor, abyste v důsledku této reakční síly neztratili kontrolu nad vrtáčkou. Pro zajištění spolehlivého ovládání zaujměte dobrou polohu

nohou, držte vrtáčku pevně oběma rukama a zabezpečte, aby vrtáčka byla ve svislém směru vůči vrtanému materiálu.

3. Vrtání průchozích otvorů v materiálu

Při vrtání průchozích otvorů do materiálu způsobí neopatrný práce s vrtáčkou často zlomení vrtáku nebo poškození samotného tělesa vrtáčky v důsledku neočekávaného pohybu vrtáčky. Při vrtání průchozích otvorů buďte vždy pozorní a připravení snížit tlačnou sílu.

4. Funkce spínače

Po stisknutí spouští se zařízení otáčí. Po uvolnění spouští se zařízení zastaví.

Rychlost rotace vrtáčky lze ovládat mírou stisknutí spouští. Při malém stisknutí spouští je rychlost nízká a zvyšuje se při silnějším stisknutí spouští.

Požadovanou rychlost otáčení lze předvolit číselníkem nastavování rychlosti.

Při otáčení číselníku rychlosti po směru hodinových ručiček se rychlost zvyšuje a při otáčení proti směru hodinových ručiček se rychlost snižuje (Obr. 6).

Při stisknutí spouští a následném stisknutí zářazky zůstane zařízení v režimu zapnuto, což je výhodné pro déletrvající práci. Při vypínání je možno zářazku vypnout opětovným stiskem spouští.

POZOR

Při vrtání dřevěných materiálu provádějte vrtání při maximálních otáčkách.

5. Zašroubování šroubů do dřeva

(1) Volba vhodného utahovacího nástavce

Používejte pokud možno šrouby s vypouklou hlavou, neboť utahovací nástavec snadno vyklouzne ze šroubů s vyklenutou hlavou.

(2) Zašroubování šroubů do dřeva

Před zašroubováním šroubů do dřeva nejdříve vyvrtejte do dřevěné desky vhodné otvory. Nasadte nástavec do drážek hlav šroubů a jemně zašroubujte šrouby do otvorů.

Nejdříve otáčte šroubovákem na krátkou dobu nízkými otáčkami, až se šroub částečně zašroubuje do dřeva, a pak stiskněte vypínač silněji, aby se dosáhlo optimální síly pro zašroubování.

POZOR

Při přípravě otvoru vhodného pro šrouby do dřeva buďte opatrní a zohledněte přitom tvrdost dřeva.

Pokud by otvor byl příliš malý nebo mělký a je potřebná větší síla pro zašroubování šroubu do otvoru, může někdy dojít k poškození závitů šroubu do dřeva.

Nezašroubovávejte šrouby se šestihlannou hlavou.

ÚDRŽBA A KONTROLA**1. Kontrola vrtáků**

Používání tupého a/nebo poškozeného vrtáku má za následek snížení účinnosti vrtání a může způsobit velké přetížení motoru vrtáčky. Často kontrolujte vrták a v případě potřeby jej vyměňte za nový.

2. Kontrola šroubů

Pravidelně zkontrolujte všechny šrouby a ujistěte se, že jsou správně utažené. Pokud najdete některé šrouby uvolněné, ihned je utáhněte. Neutažené šrouby mohou vést k vážnému riziku.

3. Údržba motoru

Vinutí motoru je srdce zařízení. Ujistěte se, že vinutí není poškozené nebo vlhké vodou nebo olejem.

4. Servis

V případě poruchy tohoto elektrického nářadí se spojte s Autorizovaným Servisním Střediskem firmy Hitachi.

5. Seznam servisních položek

A: Číslo položky

B: Kód položky

C: Číslo použití

D: Poznámky

POZOR

Opravy, modifikace a kontroly zařízení Hitachi musí provádět Autorizované servisní středisko Hitachi.

Tento seznam servisních položek bude užitečný, předložíte-li jej s vaším zařízením Autorizovanému servisnímu středisku Hitachi společně s požadavkem na opravu nebo další servis.

Při obsluze a údržbě elektrických zařízení musí být dodržovány bezpečnostní předpisy a normy platné v každé zemi, kde je výrobek používán.

MODIFIKACE

Výrobky firmy Hitachi jsou neustále zdokonalovány a modifikovány tak, aby se zavedly nejposlednější výsledky výzkumu a vývoje.

Následně, některé díly (např. čísla kódů nebo návrh) mohou být změněny bez předešlého oznámení.

ZÁRUKA

Ručíme za to, že elektrické nářadí Hitachi splňuje zákonné/místně platné předpisy. Tato záruka nezahrnuje závady nebo poškození vzniklé v důsledku nesprávného použití, hrubého zacházení nebo normálního opotřebení. V případě reklamace zašlete prosím elektrické nářadí v nerozebraném stavu společně se ZÁRUČNÍM LISTEM připojeným na konci těchto pokynů pro obsluhu do autorizovaného servisního střediska firmy Hitachi.

POZNÁMKA

Z důvodu stále pokračujícího výzkumného a vývojového programu HITACHI mohou zde uvedené parametry podléhat změnám bez předchozího upozornění.

Informace o hluku a vibracích

Měřené hodnoty byly určeny podle EN60745 a deklarovány ve shodě s ISO 4871.

Změřená vážená hladina akustického výkonu A: 104 dB (A)

Změřená vážená hladina akustického tlaku A: 93 dB (A)

Neurčitost KpA: 3 dB (A)

Použijte ochranu sluchu.

Celkové hodnoty vibrací (vektorový součet triax) stanovené dle normy EN60745.

Příklepové vtání:

Hodnota vibračních emisí $a_h = 24,1 \text{ m/s}^2$

Nejistota K = $1,5 \text{ m/s}^2$

UPOZORNĚNÍ

- Hodnota vibračních emisí během vlastního používání elektrického přístroje se může od deklarované hodnoty lišit v závislosti na způsobu použití přístroje.

- Pro identifikaci bezpečnostních opatření k ochraně obsluhy založených na odhadu vystavení vlivům v daných podmínkách použití (v úvahu bereme všechny části pracovního cyklu, jako jsou doby, kdy je přístroj vypnutý, a kdy běží naprázdno připočtených k době spouštění).

GENEL ELEKTRİKLİ ALET GÜVENLİK UYARILARI

⚠ DİKKAT

Tüm güvenlik uyarılarını ve tüm talimatları okuyun.

Uyarılara ve talimatlara uyulmaması elektrik çarpmasına, yangına ve/veya ciddi yaralanmaya neden olabilir.

Bu kılavuzu gelecekte başvurmak üzere saklayın.

Uyarılarda kullanılan "elektrikli alet" terimi, şebeke elektrikle çalışılan (kablolu) veya pille çalışan (kablesiz) elektrikli aletinizi belirtir.

1) Çalışma alanının güvenliği

- Çalışma alanı temiz ve iyi aydınlatılmış olmalıdır.**
Dağınık veya karanlık alanlar kazalara davetiye çıkarır.
- Elektrikli aletleri yanıcı sıvı, gaz veya toz patlayıcı maddelerin bulunduğu ortamlarda çalıştırmayın.**
Elektrikli aletlerin çıkardığı kıvılcıklar toz veya gaz halindeki bu maddeleri ateşleyebilir.
- Bir elektrikli aletle çalışırken çocukları ve izleyicileri uzaklaştırın.**
Dikkatinizin dağılması kontrolü kaybetmenize neden olabilir.

2) Elektrik güvenliği

- Elektrikli aletin fişi elektrik prizine uygun olmalıdır.**
Fişi herhangi bir şekilde değiştirmeyin.
Topraklanmış elektrikli aletlerle herhangi bir adaptör kullanmayın.
Fişlerde değişiklik yapılmaması ve uygun prizlerde kullanılması elektrik çarpması riskini azaltacaktır.
- Borular, radyatörler, fırınlar ve buzdolapları gibi topraklanmış yüzeylerle gövde temasından kaçının.**
Vücudunuzun toprakla temasa geçmesi halinde elektrik çarpması riski artar.
- Elektrikli aletleri yağmura veya ıslak ortamlara maruz bırakmayın.**
Elektrikli alete su girmesi elektrik çarpması riskini artıracaktır.
- Elektrik kablosuna zarar vermeyin.** Elektrikli aleti taşımak, çekmek veya fişini prizden çıkarmak için kabloyu kullanmayın.
Kabloyu ısıdan, yağdan, keskin kenarlardan veya hareketli parçalardan uzak tutun.
Hasar görmüş veya dolaşmış kablolar elektrik çarpması riskini artırır.
- Elektrikli aleti açık alanda kullanırken, açık alanda kullanıma uygun bir uzatma kablosu kullanın.**
Açık alanda kullanıma uygun bir kablo kullanılması elektrik çarpması riskini azaltır.
- Eğer bir elektrikli aletin ıslak bir yerde kullanılması kaçınılmaz ise, artık akım cihazıyla (RCD) korunan bir güç kaynağı kullanın.**
RCD kullanılması elektrik çarpması riskini azaltır.

3) Kişisel emniyet

- Bir elektrikli alet kullanırken daima tetikte olun; yaptığımız işi izleyin ve sağduyulu davranın.**
Aleti yorgunken, alkol veya ilaç etkisi altındayken kullanmayın.
Elektrikli aletleri kullanırken göstereceğiniz bir anlık dikkatsizlik ciddi yaralanmaya sonuçlanabilir.
- Kişisel koruyucu donanım kullanın.** Daima koruyucu gözlük takın.
Uygun koşullar için kullanılan toz maskesi, kaymaz emniyet ayakkabıları, kask veya kulak koruyucu gibi koruyucu ekipmanlar yaralanmaları azaltacaktır.

- Aletin istenmeden çalışmasını engelleyin.** Aleti güç kaynağına ve/veya akü ünitesine bağlamadan, kaldırmadan veya taşımadan önce, güç düğmesinin kapalı konumunda olduğundan emin olun.
Elektrikli aletleri parmağınızın güç düğmesinin üzerinde olarak taşımamız veya güç düğmesi açılmış durumda fişini takmamız kazalara davetiye çıkarır.

- Aletin gücünü açmadan önce alet üzerindeki ayar veya somun anahtarlarını çıkarın.**
Aletin dönen parçalarından birine bağlı kalan bir somun anahtarı veya ayar anahtarı yaralanmaya yol açabilir.
- Çok fazla yaklaşmayın.** Uygun bir adım mesafesi bırakın ve sürekli olarak dengenizi koruyun.
Böylece, beklenmedik durumlarda aleti daha iyi kontrol etmeniz mümkün olur.
- Uygun şekilde giyinin.** Bol elbiseler giymeyin ve takı eşyaları takmayın. Saçlarınızı, elbisenizi ve eldivenlerinizi hareketli parçalardan uzak tutun.
Bol elbiseler, takılar veya uzun saçlar hareketli parçalara takılabilir.
- Eğer toz çekme ve toplama bağlantıları için gerekli aygıtlar sağlanmışsa, bunların bağlı olduğundan ve doğru şekilde kullanıldığından emin olun.**
Toz toplama kullanımı, tozla ilişkili tehlikeleri azaltabilir.

4) Elektrikli aletin kullanımı ve bakımı

- Elektrikli aleti zorlamayın.** Yapacağınız iş için doğru alet kullanın.
Doğru alet, işinizi daha iyi ve tasarlanmamış olduğu hız değerinde daha güvenli şekilde yapacaktır.
- Elektrikli alet güç düğmesinden açılıp kapanmıyorsa, aleti kullanmayın.**
Güç düğmesiyle kontrol edilemeyen bir alet tehlikelidir ve tamir edilmeden kullanılmamalıdır.
- Herhangi bir ayar yapmadan, aksesuarları değiştirmeden veya aleti saklamadan önce fişi güç kaynağından ve/veya akü ünitesinden sökün.**
Bu koruyucu güvenlik önlemleri, elektrikli aletin kazayla çalışma riskini azaltır.
- Atıl durumdaki elektrikli aletleri çocukların ulaşamayacağı bir yerde saklayın ve elektrikli alet ve bu kullanım talimatları hakkında bilgi sahibi olmayan kişilerden aleti kullanmasına izin vermeyin.**
Elektrikli aletler eğitimsiz kullanıcıların elinde tehlikelidir.
- Elektrikli aletin bakımını yapın.** Hareketli parçalarda yanlış hizalanma veya sıkışma olup olmadığını, kırık parça olup olmadığını ve elektrikli aletin çalışmasını etkileyebilecek diğer koşulları kontrol edin.
Eğer hasar varsa, kullanmadan önce aleti tamir ettirin.
Kazaların çoğu elektrikli aletlere kötü bakım işlemleri uygulanmasından kaynaklanmaktadır.
- Aletleri keskin ve temiz tutun.**
Uygun şekilde bakımı yapılan, keskin kenarlara sahip aletlerin sıkışma ihtimali daha azdır ve kontrol edilmesi daha kolaydır.
- Elektrikli aleti, aksesuarları, uçları, v.b., bu talimatlara uygun şekilde, çalışma koşullarını ve yapılacak işi göz önünde bulundurarak kullanın.**
Elektrikli aletin amaçlanan kullanımlardan farklı işlemler için kullanılması tehlikeli bir duruma yol açabilir.

5) Servis

- Elektrikli aletinizin servisini sadece orijinal yedek parçalar kullanmak suretiyle uzman bir tamirciye yaptırın.**
Böylece, elektrikli aletin güvenli kullanımı sağlanacaktır.

ÖNLEM

Çocukları ve zayıf kişileri uzak tutun.

Alet, kullanılmadığı zamanlarda çocukların ve zayıf kişilerin ulaşamayacağı bir yerde saklanmalıdır.

DARBELİ MATKAP GÜVENLİK UYARILARI

1. Darbeli matkaplarla kulak koruyucu kullanın. Gürültüye maruz kalma işitme kaybına yol açabilir.
2. Aletle gelen yardımcı kolları kullanın. Aletin kontrolden çıkması yaralanmalara sebep olabilir.

ÖZELLİKLER

Voltaj (alanlara göre)*	(110V, 115V, 120V, 127V, 220V, 230V, 240V) ~	
Güç girişi	550W*	
Yüksüz hız	0–2900 dak ⁻¹	
Kapasite	Çelik	13 mm
	Beton	16 mm
	Tahta	25 mm
Ağırlık (kablolu)	1,6 kg	

* Bölgelere göre değişiklik gösterdiğinden ürün üzerindeki etiketi kontrol edin.

STANDART AKSESUARLAR

Bütün alanlar için

- (1) Yan Kol 1
- (2) Derinlik mesnedi 1

Kısmi alanlar için

- (1) Mandren anahtarı 1
(Mandren anahtarlı ek mandrenler için)
 - (2) Plastik kutu 1
- Standart aksesuarlarda haber verilmeksizin değişiklik yapılabilir.

UYGULAMALAR

- DEVR ve DARBE hareketi birlikte:
Beton, mermer, granit, seramik ve benzer malzemelerde delik açılması.
- DEVR hareketi ile:
Metal, tahta ve plastik malzemelerde delik açma.
Aşşap vidalarının sıkıştırılması.

İŞLEMEN ÖNCE

1. **Güç kaynağı**
Kullanılacak güç kaynağının ürün etiketinde belirtilen güç şartlarına uygun olduğundan emin olun.
2. **Güç anahtarı**
Güç anahtarının KAPALI konumunda olduğundan emin olun. Güç anahtarı AÇIK konumundayken fiş prize takıldığında takım hemen çalışmaya başlar ve ciddi kazalara neden olabilir.
3. **Uzatma kablosu**
Çalışma alanı güç kaynağından uzak olduunda yeterli kalınlık ve kapasitede bir uzatma kablosu kullanın. Uzatma kablosu mümkün olduğunca kısa tutulmalıdır.
4. **Yan kolu takma**
Yan kolu montaj parçasına takın.
Kolu sıkmak için saat yönünde çevirin.
Yan kolu yapılacak işleme uygun bir konuma ayarlayın ve iyice sıkın.

5. Matkap ucunun takılması ve sökülmesi.

Anahtarsız mandren için

(1) Uçun takılması

Vidalama ucunu vs. anahtarsız mandrenin içersine yerleştirdikten sonra, halkayı sıkıca kavrayıp sağa doğru (önden bakıldığında saat yönünde) çevirerek manşonu sıkıştırın. (Şekil. 1'e bakın)

- Eğer manşon işletim sırasında gevşerse, daha da sıkılaştırın. Halka sıkılaştıkça gereken sıkma gücü de artacaktır.

(2) Uçun çıkartılması

Halkayı sıkıca kavrayıp manşonu sola doğru (önden bakıldığında saatin ters yönünde) çevirerek manşonu gevşetin. (Şekil. 1'e bakın)

NOT

Manşonu daha fazla gevşetmek mümkün olmadığında, yan kolu manşona sabitleyin. Sonra halkayı bir elinizde tutarken, yan kolun kabzasına sola doğru bir darbe vurarak manşonu gevşetin. (Şekil. 2)

DİKKAT

Yan kolu anahtarsız mandrenin halkaya sabitlemeyin. Aksi takdirde, halkaya zarar verme riski oluşur.

Mandren anahtarlı ek mandrenler için

Vidalama ucunu mandrene yerleştirin ve mandren anahtarını kullanarak mandrendeki üç deliğe her bir dönüşte bir delik düşecek gibi güvenli bir şekilde sıkıştırın. (Şekil. 3)

6. Uygun matkap ucunu seçme

- Beton ya da taş delerken
Betonarme için olan uçları kullanın.
- Metal ya da plastik delerken
Metal ileri için kullanılan normal matkap ucu kullanın.
- Tahta delerken
Tahta işleri için kullanılan normal matkap ucu kullanın. Ancak, 6,5 mm ya da bundan daha küçük çapta delikler delerken metal işleri için kullanılan bir matkap ucu kullanın.
- 7. **Uç seçimi**
Vidalama işlemi için doğru ebatta uç kullanılmadığı takdirde vida başları veya vidalama uçları zarar görür.
- 8. **Dönme yönünün kontrol edilmesi (Şekil. 4)**
İtme yönünün R tarafına basıldığında matkap ucu saat yönünde döner (yandan bakıldığında).

İtme düğmesinin L tarafına basıldığında matkap ucu saat yönünün tersine döner.
(L) ve (R) işaretleri matkap gövdesinde yer alır.)

DİKKAT

- İşlem sırasında devir yönünü asla değiştirmeyin. Güç anahtarını OFF konumuna getirdikten sonra devir yönünü değiştirebilirsiniz; aksi takdirde motor yanar.
 - Darbeli matkabı darbeli delme işlerinde her zaman saat yönünde devirle kullanın.
- 9. DARBELİDEN DEVİRLİ ÇALIŞMAYA GEÇİŞ (Şekil. 5)**
Darbeli matkap, DARBE modundan (darbe ve devir) DEVİR moduna (sadece devir) sadece çevirme kolunu kaydırarak değiştirilebilir. Beton, taş, seramik ve benzer malzemelerde delik açmak için kolu sağa kaydırın. Matkap ucu dönmeye devam ederken materyale karşı darbe gösterecektir.
Metal, ahşap veya plastikte delik açmak için kolu tamamen sola kaydırın. Bu şekilde, matkap sıradan bir elektrikli matkap görevini görecektir.

DİKKAT

Delinecek malzeme yalnızca dönme hareketiyle delinebiliyorsa Darbeli Matkabı DARBELİ seçeneğinde kullanmayın. Bu, delme işlemini verimsiz kılmakla kalmayıp matkap ucunun zarar görmesine de neden olabilir.
Değiştirirken, çevirme kolunun sonuna kadar itildiğinden emin olun.

KULLANIM

1. Basınç

Matkabın gereğinden fazla bastırılması, delik delmeyi HIZLANDIRMAZ. Böyle bir uygulama sadece matkap ucunun zarar görmesiyle kalmayıp ayrıca matkap verimliliğini de düşürür ve hizmet ömrünü azaltır.

2. Büyük çaplı matkap ucu kullanımı

Matkap ucunun çapı büyüdükçe, kolunuza aksayacak tepkisel güç de artacaktır. Bu kuvvetten dolayı matkabın kontrolünü kaybetmemeye özen gösterin. Kontrolü koruyabilmek için ayağınızı sağlam basın, matkabı iki elinizle sıkı tutun ve matkabın delinen malzemeye dik durduğundan emin olun.

3. Malzemede tam delik açarken

Matkap ucu malzemeyi tamamen delip geçtiği durumlarda, dikkatsizlik ve matkabın ani hareket ettirilmesi çoğu kez matkap ucunun kırılmasına veya delinen cismin zarar görmesine yol açar. Malzemeyi tamamen delirken her zaman için dikkatli ve uyguladığınız gücü bırakmaya hazırlıklı olmalısınız.

4. Düğmelerin kullanımı

- Tetiğe basıldığında takım dönmeye başlar. Tetik bırakıldığında takımın dönmeye durur.
- Matkabın dönme hızı tetiğe basma şiddetiyle kontrol edilebilir. Tetiğe hafif basıldığında hız düşük, sert basıldığında ise yüksek olur.
- İstenilen dönme hızı hız kontrol düğmesi yardımıyla önceden seçilebilir.
Daha yüksek hızlar için hız kontrol düğmesini saat yönünde, daha düşük hızlar için ise saat yönünün tersine çevirin. (Şekil. 6)
- Tetiğe ve derinlik mesnedine aynı anda bastığınızda açık konumu korunur. Sürekli çalışma hızı bu konum uygundur. Kapatırken tetiğe basmak suretiyle derinlik mesnedi çıkartılabilir.

DİKKAT

Ahşap malzeme delme işlemlerinde, matkabı azami devir hızında kullanın.

5. Ahşap vida takarın

- (1) Uygun vidalama ucu seçiminde eğer mümkünse, yıldız başlı vidaları kullanın. Zira, düz başlı vidalar kolayca uçlardan kayabilir.
- (2) Ahşap vidalama
 - Ahşap vidalamadan önce, ahşap yüzeyin üzerinde uygun delikler açın. Ucu, vida başlarına taktıktan sonra yavaşça vidaları deliklerine sokun.
 - Bir süre düşük devir hızında çalıştırıp, vidayı kısmen ahşabın içersine sokun ve daha sonra tetiğe kuvvetlice basarak en uygun vidalama gücüne getirin.

DİKKAT

- Delik açılacak ahşabın sertlik derecesini de göz önüne alarak ahşap vida deliklerini dikkatlice açın.
Eğer açılacak delik genişlik veya derinlik bakımından çok küçük olursa, vidalama işlemi için çok daha fazla bir güç harcamak gerekir, ve bu işlem sırasında bazen vidanın dişleri zarar görebilir.
- Saç vidaları kullanmayın.

BAKIM VE GÖZDEN GEÇİRME

1. Matkap uçlarının gözden geçirilmesi

Körelmiş ve/veya hasarlı vidalama ucu kullanılması verimliliği düşüreceği ve matkap motorunun aşırı zorlanmasına yol açacağı için, vidalama uçlarını sık aralıklarda kontrol edin ve gerekirse yenileyin.

2. Montaj vidalarının gözden geçirilmesi

Tüm montaj vidalarını düzenli olarak kontrol edin ve gerekli sıklıkta olduklarından emin olun. Vidalardan herhangi biri gevşek ise hemen sıkın. Bunu yapmadığınız takdirde ciddi hasarlar meydana gelebilir.

3. Motorun bakımı

Dönme hareketini sağlayan motor, takımın "bel kemiğidir". Motorun hasar görmesini ve/veya yağ ya da su ile ıslanmasını önlemek için gerekli bakımı yapın.

4. Servis

Alettle güç arızası olması durumunda Hitachi Yetkili Servis Merkezine başvurun.

5. Servis parçaları listesi

- A: Parça no.
- B: Kod no.
- C: Kullanılan sayı
- D: Açıklamalar

DİKKAT

Hitachi Güç Takımlarının onarımı, modifikasyonu ve gözden geçirilmesi Hitachi yetkili Servis Merkezi tarafından yapılmalıdır.

Hitachi yetkili Servis Merkezine tamir ya da bakım amacıyla başvurulduğunda Parça Listesinin takım ile birlikte verilmesi faydalı olacaktır.

Güç takımlarını çalıştırılması ve bakımlarının yapılması esnasında her ülke için belirlenen güvenlik düzenlemelerine ve standartlarına uyulması gerekmektedir.

DEĞİŞİKLİKLER

Hitachi Ağırlık İş Aletleri en son teknolojik ilerlemelere uygun olarak sürekli değiştirilmekte ve geliştirilmektedir. Dolayısıyla, bazı kısımlarda (örneğin kod numaraları ve/veya tasarım gibi) önceden bildirimde bulunulmadan değişiklik yapılabilir.

GARANTİ

Hitachi Elektrikli El Aletlerine ÷lkelere özgü hukuki düzenlemeler çerçevesinde garanti vermekteyiz. Bu garanti, yanlış veya kötü kullanım, normal aşınma ve yıpranmadan kaynaklanan arıza ve hasarları kapsamamaktadır. Şikayet durumunda, Elektrikli El Aleti, sökülmemiş bir şekilde, bu kullanım kılavuzunun sonunda bulunan GARANTİ BELGESİYLE birlikte bir Hitachi yetkili servis merkezine gönderilmelidir.

NOT

HITACHI'nin sürdürdüğü araştırma ve geliştirme programının bir parçası olarak burada belirtilen özellikler önceden haber verilmeksizin değiştirilebilir.

Havadan yayılan gürültü ve titreşimle ilgili bilgiler

Ölçülen değerlerin EN60745 ve ISO 4871'e uygun olduğu tespit edilmiştir.

Ölçülmüş A-ağırlıklı ses gücü seviyesi: 104 dB (A)
Ölçülmüş A-ağırlıklı ses basınç seviyesi: 93 dB (A)
Belirsiz KpA: 3dB (A)

Kulak koruma cihazı takın.

EN60745'e göre belirlenen toplam vibrasyon değerleri (üç eksenli vektör toplamı).

Darbeli matkaplama:

Vibrasyon emisyon değeri $a_h = 24,1 \text{ m/s}^2$

Belirsizlik $K = 1,5 \text{ m/s}^2$

DİKKAT

- Elektrikli aletin kullanımı sırasında vibrasyon emisyonu aletin kullanma şekline bağlı olarak belirtilen değerden farklılık gösterebilir.
- Gerçek kullanım koşullarında tahmini maruz kalma hesabını esas alarak (kullanım süresine ilave olarak aletin kapatıldığı ve rölantide çalıştığı zamanlarda çalışma çevriminde yer alan tüm parçaları dikkate almak suretiyle) operatörü korumak için gerekli güvenlik önlemlerini belirlemek için.

ОБЩИЕ ПРАВИЛА БЕЗОПАСНОСТИ ПРИ РАБОТЕ С ЭЛЕКТРОИНСТРУМЕНТОМ

⚠ ПРЕДУПРЕЖДЕНИЕ

Прочтите все правила безопасности и инструкции.

Не выполнение правил и инструкций может привести к поражению электрическим током, пожару и/или серьезной травме.

Сохраняйте все правила и инструкции на будущее.

Термин "электроинструмент" в контексте всех мер предосторожности относится к эксплуатируемому Вами электроинструменту с питанием от сетевой розетки (с сетевым шнуром) или электроинструменту с питанием от аккумуляторной батареи (беспроводному).

1) Безопасность на рабочем месте

- a) Поддерживайте чистоту и хорошее освещение на рабочем месте.

Беспорядок и плохое освещение приводят к несчастным случаям.

- b) Не используйте электроинструменты во взрывоопасных окружающих условиях, например, в непосредственной близости огнеопасных жидкостей, горючих газов или легковоспламеняющейся пыли.

Электроинструменты порождают искры, которые могут воспламенить пыль или испарения.

- c) Держите детей и наблюдающих на безопасном расстоянии во время эксплуатации электроинструмента.

Отвлечение внимания может стать для Вас причиной потери управления.

2) Электробезопасность

- a) Сетевые вилки электроинструментов должны соответствовать сетевой розетке.

Никогда не модифицируйте штепсельную вилку никоим образом.

Не используйте никакие адаптерные переходники с заземленными (замкнутыми на землю) электроинструментами.

Немодифицированные штепсельные вилки и соответствующие им сетевые розетки уменьшают опасность поражения электрическим током.

- b) Не прикасайтесь телом к заземленным поверхностям, например, к трубопроводам, радиаторам, кухонным плитам и холодильникам.

Если Ваше тело соприкоснется с заземленными поверхностями, возрастет опасность поражения электрическим током.

- c) Не подвешивайте электроинструменты действию воды или влаги.

При попадании воды в электроинструмент возрастет опасность поражения электрическим током.

- d) Правильно обращайтесь со шнуром. Никогда не переносите электроинструмент, взявшись за шнур, не тяните за шнур и не дергайте за шнур с целью отсоединения электроинструмента от сетевой розетки. Располагайте шнур подальше от источников тепла, нефтепродуктов, предметов с острыми кромками и движущихся деталей.

Поврежденные или запутанные шнуры увеличивают опасность поражения электрическим током.

- e) При эксплуатации электроинструмента вне помещений, используйте удлинительный шнур, предназначенный для использования вне помещения.

Использование шнура, предназначенного для работы вне помещений, уменьшит опасность поражения электрическим током.

- f) При эксплуатации электроинструмента во влажной среде, используйте устройство защитного отключения (RCD) источника питания.

Использование RCD уменьшит опасность поражения электрическим током.

3) Личная безопасность

- a) Будьте готовы к неожиданным ситуациям, внимательно следите за своими действиями и руководствуйтесь здравым смыслом при эксплуатации электроинструмента.

Не используйте электроинструмент, когда Вы устали или находитесь под влиянием наркотиков, алкоголя или лекарственных препаратов.

Мгновенная потеря внимания вовремя эксплуатации электроинструментов может привести к серьезной травме.

- b) Используйте индивидуальные средства защиты. Всегда надевайте средства защиты глаз.

Защитное снаряжение, например, противопылевой респиратор, защитная обувь с нескользящей подошвой, защитный шлем-каска или средства защиты органов слуха, используемые для соответствующих условий, уменьшат травмы.

- c) Избегайте непреднамеренного включения двигателя. Убедитесь в том, что выключатель находится в положении выключения перед подниманием, переноской или подсоединением к сетевой розетке и/или портативному батарейному источнику питания.

Переноска электроинструментов, когда Вы палец держите на выключателе, или подсоединение электроинструментов к сетевой розетке, когда выключатель будет находиться в положении включения, приводит к несчастным случаям.

- d) Снимите все регулировочные или гаечные ключи перед включением электроинструмента.

Гаечный или регулировочный ключ, оставленный прикрепленным к вращающейся детали электроинструмента, может привести к получению травмы.

- e) Не теряйте устойчивость. Все время имейте точку опоры и сохраняйте равновесие.

Это поможет лучше управлять электроинструментом в непредвиденных ситуациях.

- f) Одевайтесь надлежащим образом. Не надевайте просторную одежду или ювелирные изделия. Держите волосы, одежду и перчатки как можно дальше от движущихся частей.

Просторная одежда, ювелирные изделия или длинные волосы могут попасть в движущиеся части.

- g) Если предусмотрены устройства для присоединения приспособлений для отвода и сбора пыли, убедитесь в том, что они присоединены и используются надлежащим образом.

Использование данных устройств может уменьшить опасности, связанные с пылью.

4) Эксплуатация и обслуживание электроинструмента

- a) Не перегружайте электроинструмент. Используйте надлежащий для Вашего применения электроинструмент.

Надлежащий электроинструмент будет выполнять работу лучше и надежнее в том режиме работы, на который он рассчитан.

- b) Не используйте электроинструмент с неисправным выключателем, если с его помощью нельзя будет включить и выключить инструмент.

Каждый электроинструмент, которым нельзя управлять с помощью выключателя, будет представлять опасность, и его будет необходимо отремонтировать.

- c) Отсоедините штепсельную вилку от источника питания и/или портативный батарейный источник питания от электроинструмента перед началом выполнения какой-либо из регулировок, перед сменой принадлежностей или хранением электроинструментов.

Такие профилактические меры безопасности уменьшат опасность непреднамеренного включения двигателя электроинструмента.

- d) Храните неиспользуемые электроинструменты в недоступном для детей месте, и не разрешайте людям, не знающим как обращаться с электроинструментом или не изучившим данное руководство, работать с электроинструментом.

Электроинструменты представляют опасность в руках неподготовленных пользователей.

- e) Содержите электроинструменты в исправности. Проверьте, нет ли несоосности или заедания движущихся частей, повреждения деталей или какого-либо другого обстоятельства, которое может повлиять на функционирование электроинструментов.

При наличии повреждения отремонтируйте электроинструмент перед его эксплуатацией.

Большое количество несчастных случаев связано с плохим обслуживанием электроинструментов.

- f) Содержите режущие инструменты остро заточенными и чистыми.

Надлежащим образом содержащиеся в исправности режущие инструменты с острыми режущими кромками будут меньше заедать и будут легче в управлении.

- g) Используйте электроинструмент, принадлежности, насадки и т.п. в соответствии с данным руководством, принимая во внимание условия и объем выполняемой работы.

Использование электроинструмента для выполнения работ не по прямому назначению может привести к опасной ситуации.

5) Обслуживание

- a) Обслуживание Вашего электроинструмента должно выполняться квалифицированным представителем ремонтной службы с использованием только идентичных запасных частей.

Это обеспечит сохранность и безопасность электроинструмента.

МЕРА ПРЕДОСТОРОЖНОСТИ

Держите подальше от детей и немощных людей.

Если инструменты не используются, их следует хранить в недоступном для детей и немощных людей месте.

МЕРЫ ПРЕДОСТОРОЖНОСТИ ПРИ РАБОТЕ С УДАРНОЙ ДРЕЛЬЮ

1. Одевайте наушники во время работы с ударной дрелью.
Воздействие шума может привести к потере слуха.
2. Используйте ручки, прилагаемые к инструменту.
Потеря контроля над инструментом может привести к травме.

ХАРАКТЕРИСТИКИ

Напряжение (по регионам)*	(110В, 115В, 120В, 127В, 220В, 230В, 240В) ~	
Потребляемая мощность	550 Вт*	
Скорость без нагрузки	0–2900 мин. ⁻¹	
Мощность	Сталь	13 мм
	Бетон	16 мм
	Дерево	25 мм
Масса (без шнура)	1,6 кг	

* Обязательно проверьте паспортную табличку на изделии, поскольку для разных регионов оно различно.

СТАНДАРТНЫЕ ПРИНАДЛЕЖНОСТИ

Для всех моделей

- (1) Боковая рукоятка 1
(2) Ограничитель глубины 1

Для некоторых моделей

- (1) Ключ патрона 1
(Для дрели с ключом патрона)
(2) Пластмассовый футляр 1

Стандартные принадлежности могут изменяться без уведомления.

ОБЛАСТЬ ПРИМЕНЕНИЯ

- При совместном использовании ВРАЩАТЕЛЬНОГО и УДАРНОГО действия:
Сверление отверстий в бетоне, мраморе, граните, кафеле и аналогичных материалах.
- С использованием ВРАЩАТЕЛЬНОГО действия:
Сверление отверстий в металлах, дереве и пластмассе.
Затягивание шурупов для дерева.

ПОДГОТОВКА К ЭКСПЛУАТАЦИИ

1. Источник электропитания

Проследите за тем, чтобы используемый источник электропитания соответствовал требованиям к источнику электропитания, указанному на паспортной табличке изделия.

2. Переключатель питания

Убедитесь в том, что переключатель питания находится в положении OFF (ВЫКЛ.). Если вставить штепсель в розетку, когда переключатель питания находится в положении ON (ВКЛ.), инструмент сразу начнет работать, что может стать причиной серьезной травмы.

3. Удлинитель

Когда рабочая область удалена от источника питания, пользуйтесь удлинителем достаточной площади поперечного сечения и номинальной нагрузки. Удлинитель должен быть как можно более коротким.

4. Как закрепить боковую рукоятку

Присоедините боковую рукоятку к крепежной детали. Чтобы закрепить боковую рукоятку, вращайте зажим боковой рукоятки по часовой стрелке. Установите боковую рукоятку, чтобы она была удобна в работе, а затем надежно затяните зажим боковой рукоятки.

5. Установка и снятие сверла

Для патрона без ключа

(1) Установка насадки

После того, как насадка шуруповерта и т.п. будет вставлена в сверлильный патрон, для которого ключ не предусмотрен, крепко удерживайте рукой кольцо и затяните гильзу, повернув ее 4 раза вправо (в направлении по часовой стрелке, если смотреть спереди). (См. Рис. 1)

- Если гильза будет ослаблена во время работы, затяните ее повторно. При затянутой гильзе усилие затяжки будет больше.

(2) Снятие насадки

Крепко удерживайте рукой кольцо и ослабьте гильзу, повернув ее влево (в направлении против часовой стрелки, если смотреть спереди). (См. Рис. 1)

ПРИМЕЧАНИЕ

В положении, когда руками гильзу будет невозможно ослабить больше, закрепите боковую рукоятку на гильзу. Затем, удерживая рукой кольцо, ударьте по ручке боковой рукоятки влево для того, чтобы ослабить гильзу. (Рис. 2)

ОСТОРОЖНО

Не закрепляйте боковую рукоятку на кольцо патрона, для которого ключ не предусмотрен, поскольку при этом возникнет опасность повреждения кольца.

Для сверлильного патрона с ключом патрона

Установите сверло в зажимной патрон и используйте ключ патрона для надежного закрепления сверла, затянув зажимной патрон ключом патрона в каждом из трех предназначенных для этого отверстий по очереди. (Рис. 3)

6. Выбор подходящего сверла

- При сверлении бетона или камня Используйте сверла для бетона.

- При сверлении металла или пластмассы Используйте обычное сверло для работ по металлу.
- При сверлении дерева Используйте обычное сверло для работ по дереву. Однако при сверлении отверстий диаметром 6,5 мм или менее используйте сверло для работ по металлу.

7. Выбор насадки шуруповерта

Головки шурупов или насадки будут получать повреждения до тех пор, пока для завинчивания шурупов не будут использоваться насадки, соответствующие диаметру шурупов.

8. Проверьте направление вращения (Рис. 4)

Сверло вращается по часовой стрелке (если смотреть сзади), когда кнопка нажата с правой стороны (R). Чтобы сверло вращалось против часовой стрелки, кнопку следует нажать с левой стороны (L). (Знаки (L) и (R) нанесены на корпус.)

ПРЕДОСТЕРЕЖЕНИЕ

- Никогда не изменяйте направление вращения насадки во время функционирования. Поверните выключатель питания в положение выключения OFF (ВЫКЛ) перед изменением направления вращения насадки; в противном случае может сгореть двигатель.
- Используя ударную дрель в ударном режиме, всегда применяйте вращение по часовой стрелке.

9. Переключение с УДАРА на ВРАЩЕНИЕ (Рис. 5)

Режим функционирования ударной дрели может быть переключен от режима УДАР (удар плюс вращение) к режиму ВРАЩЕНИЕ (только вращение) просто изменением положения рычага переключения. При сверлении бетона, камня, кафеля или аналогичных плоских материалов, переведите рычаг переключения в правое положение. Наконечник сверла будет наносить удар по материалу, продолжая вращаться. При сверлении металла, дерева или пластмассы, переведите рычаг переключения в левое положение до упора. Данная дрель будет выполнять простое вращение как обыкновенная электродрель.

ПРЕДОСТЕРЕЖЕНИЕ

Не используйте ударную дрель с функцией ИМПАКТ (УДАР), если просверлить материал можно только в режиме вращения. Такое действие не только ухудшит качество сверла, но и может привести в негодность кончик сверла.

При переключении режимов обязательно убедитесь в том, что рычаг переключения переведен в нужное положение до упора.

КАК ПОЛЬЗОВАТЬСЯ

1. Нажатие

Процесс сверления НЕ ускорится при более сильном нажатии на дрель. Такое действие может привести только к повреждению сверла уменьшению эффективности при сверлении и/или уменьшению срока службы дрели.

2. Использование сверла большого диаметра

Чем больше будет диаметр сверла, тем больше будет сила отдачи, действующая на Ваши руки. Будьте осторожны, чтобы не потерять способность управления дрелью вследствие действия силы отдачи. Для надежного управления электродрелью примите устойчивое положение, крепко удерживайте

дрель обеими руками и убедитесь в том, что дрель расположена вертикально по отношению к материалу, в котором будет выполняться сверление.

- 3. При сверлении сквозных отверстий в материале**
Когда сверло полностью проходит через материал, просверлив его насквозь, неаккуратное обращение может привести к поломке сверла или повреждению корпуса самой дрели вследствие внезапного смещения дрели. При сверлении сквозных отверстий в материале всегда будьте готовы к тому, чтобы быстро уменьшить силу, с которой нажимаете на дрель.

4. Работа переключателя

- При нажатой пусковой кнопке инструмент вращается. При отпущенной пусковой кнопке инструмент останавливается.
- Скорость вращения сверла можно изменять мерой нажатия пусковой кнопки. При слабо нажатой пусковой кнопке скорость низкая, а при более сильном нажатии пусковой кнопки скорость увеличивается.
- Нужную скорость вращения можно заранее выбрать с помощью диска регулирования скорости. Для увеличения скорости поворачивайте диск регулирования по часовой стрелке, а для уменьшения скорости – против часовой стрелки. (Рис. 6)
- Нажав стопор при нажатой пусковой кнопке, можно зафиксировать включенное состояние, удобное при непрерывной работе. При выключении стопор можно отключить, повторно нажав пусковую кнопку.

ПРЕДОСТЕРЕЖЕНИЕ

Выполняйте сверление с максимальной скоростью вращения при сверлении деревянных материалов.

5. При завинчивании шурупов для дерева

- (1) Выбор соответствующей насадки шуруповерта
Используйте, по мере возможности, шурупы с крестообразным шлицом на головке, поскольку насадка шуруповерта легко соскальзывает с головок шурупов с одним шлицом.
- (2) Завинчивание шурупов для дерева
- Перед завинчиванием шурупов для дерева, сделайте соответствующие им направляющие отверстия в деревянной доске. Прикладывайте насадку к прорезям в головках шурупов и осторожно завинчивайте шурупы в отверстия.
 - После того, как дрель некоторое время будет вращаться с низкой скоростью до тех пор, пока шуруп для дерева не будет частично завинчен в дерево, нажмите пускатель более сильно для получения оптимального усилия затяжки.

ОСТОРОЖНО

- Будьте осторожны при подготовке направляющего отверстия, соответствующего шурупу для дерева, примите во внимание твердость дерева. В случае если отверстие окажется слишком маленьким или мелким, потребуется большее усилие для завинчивания в него шурупа, резба шурупа для дерева может иногда оказаться поврежденной.
- Не завинчивайте крепежные винты.

ОБСЛУЖИВАНИЕ И ПРОВЕРКА

1. Проверка сверла

Длительное использование изношенного и/или поврежденного сверла приведет к уменьшенной

эффективности сверления и может стать причиной серьезной перегрузки двигателя электродрели. Проверьте сверло как можно чаще и заменяйте его новым сверлом при необходимости.

2. Проверка крепежных винтов

Регулярно проверяйте все крепежные винты и старайтесь, чтобы они были хорошо затянуты. При ослаблении какого-либо винта немедленно затяните его. Если этого не сделать, может возникнуть серьезная опасность.

3. Обслуживание двигателя

Обмотка блока двигателя – это самое "сердце" инструмента. Выполняйте необходимый уход, чтобы обмотка не повредилась, не намокла в воде или масле.

4. Обслуживание

В случае повреждения электроинструмента обратитесь в авторизованный сервисный центр Hitachi.

5. Порядок записей по техобслуживанию

- A: пункт №
- B: код №
- C: количество применений
- C: количество применений
- D: замечания

ПРЕДОСТЕРЕЖЕНИЕ

Ремонт, модификацию и осмотр механизированного инструмента фирмы Hitachi следует проводить в авторизованном сервисном центре Hitachi.

Этот перечень запасных частей пригодится при представлении его вместе с инструментом в авторизованный сервисный центр Hitachi с запросом на ремонт или прочее обслуживание.

При работе и обслуживании механизированных инструментов нужно соблюдать правила и стандарты безопасности, действующие в каждой данной стране.

ЗАМЕЧАНИЕ

Фирма HITACHI непрерывно работает над усовершенствованием своих изделий, поэтому мы сохраняем за собой право на внесение изменений в технические характеристики, упомянутые в данной инструкции по эксплуатации, без предупреждения об этом.

ГАРАНТИЯ

Мы гарантируем соответствие автоматических инструментов Hitachi нормативным/национальным положениям. Данная гарантия не распространяется на дефекты или ущерб, возникший вследствие неправильного использования или ненадлежащего обращения, а также нормального износа. В случае подачи жалобы отправляйте автоматический инструмент в неразобранном состоянии вместе с ГАРАНТИЙНЫМ СЕРТИФИКАТОМ, который находится в конце инструкции по обращению, в авторизованный центр обслуживания Hitachi.

ПРИМЕЧАНИЕ

Поскольку фирма Hitachi постоянно ведет программу исследования и развития, приведенные здесь характеристики могут изменяться без предварительного уведомления.

Информация, касающаяся создаваемого шума и вибрации

Измеряемые величины были определены в соответствии с EN60745 и заявлены в соответствии с ISO 4871.

Измеренный средневзвешенный уровень звуковой мощности: 104 дБ(А)

Измеренный средневзвешенный уровень звукового давления: 93 дБ(А)

Погрешность Кра: 3 дБ (А)

Надевайте наушники.

Общие значения вибрации (сумма векторов триаксиального кабеля) определяются в соответствии с EN60745.

Работа с ударной дрелью:

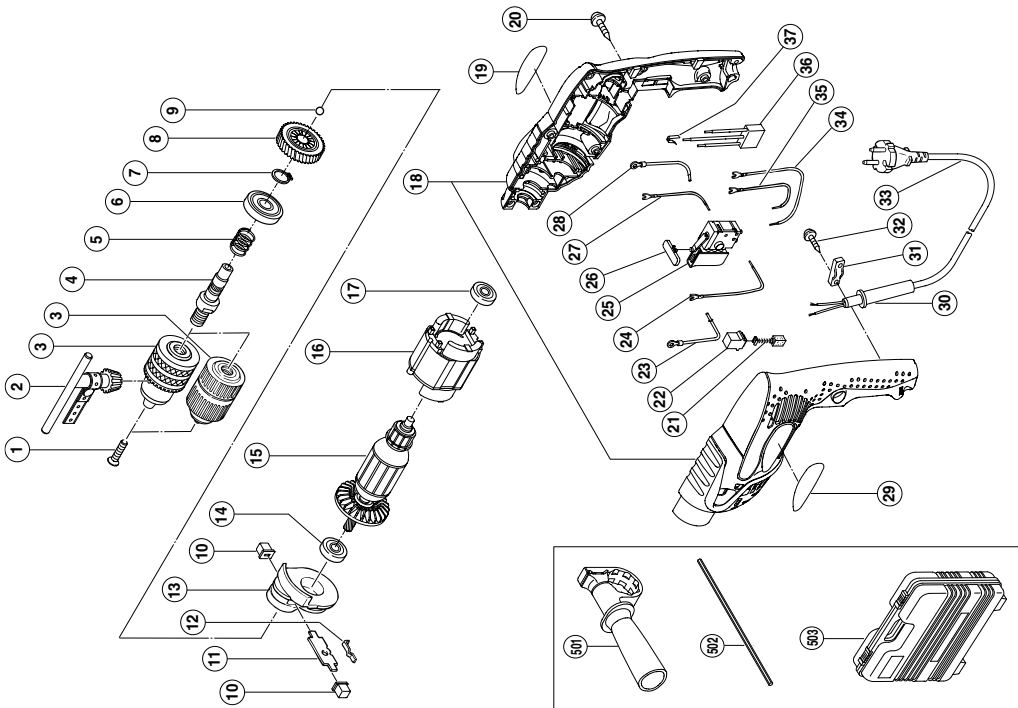
Величина вибрации $a_h = 24,1 \text{ м/с}^2$

Погрешность K = 1,5 м/с²

ПРЕДУПРЕЖДЕНИЕ

- Величина вибрации во время фактического использования инструмента может отличаться от указанного значения, в зависимости от способа использования инструмента.
- Определить меры предосторожности, чтобы защитить оператора, которые основаны на расчете воздействия при фактических условиях использования (принимая во внимание все периоды цикла эксплуатации кроме времени запуска, то есть когда инструмент выключен, работает на холостом ходу).

A	B	C	D
1	995-344	1	M6X25
2	987-576	1	
3 1	321-814	1	13V/LRB-D
3 2	322-625	1	13V/LRJ-N
4	316-083	1	
5	303-651	1	6201VVCMP2SL
6	620-1VV	1	
7	939-542	1	
8	317-482	1	
9	959-149	1	
10	319-604	2	D4.76
11	963-224	1	
12	963-226	1	
13	316-094	1	
14	608-VVVM	1	608VV/C2PS2L
15 1	360-327U	1	110V-120V "14, 17"
15 2	360-207E	1	220V-230V
15 3	360-207F	1	230V-240V "KUW, AUS"
16 1	340-221	1	100V-120V
16 2	340-222E	1	220V
16 3	340-222F	1	230V-240V
17	626-VVVM	1	626VV/C2PS2L
18 1	322-421	1	GREEN
18 2	322-626	1	MOSS GREEN
18 3	322-423	1	OFF BLACK GREEN
19	---	1	D4X20
20	302-086	7	
21	989-041	2	
22	930-483	2	"NZL, AUS, SAF, EUROPE, SUI, GBR (230V), CHN"
23 1	322-426	1	"TPE"
23 2	322-427	1	"TPE"
23 3	322-429	1	"THA, INA, IND, SIN, KUW, HKG, GBR (110V)"
24	322-418	1	
25	321-632	1	
26	321-628	1	
27	322-417	1	
28 1	322-424	1	
28 2	322-425	1	"NZL, AUS, SAF, EUROPE, SUI, GBR (230V), CHN"
28 3	322-428	1	"TPE"
29	---	1	
30 1	307-217	1	
30 2	303-662	1	D7.2
31	960-266	1	D8.8
32	305-812	2	D4X16
33	---	1	
34	322-416	1	
35	303-654	1	
36	994-273	1	
37	302-488	1	
501	303-659	1	
502	303-709	1	
503	315-999	1	



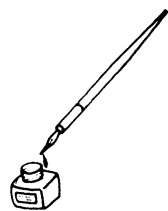
<p>English</p> <p><u>GUARANTEE CERTIFICATE</u></p> <ol style="list-style-type: none"> ① Model No. ② Serial No. ③ Date of Purchase ④ Customer Name and Address ⑤ Dealer Name and Address (Please stamp dealer name and address) 	<p>Magyar</p> <p><u>GARANCIA BIZONYLAT</u></p> <ol style="list-style-type: none"> ① Típuszám ② Sorozatszám ③ A vásárlás dátuma ④ A Vásárló neve és címe ⑤ A Kereskedő neve és címe (Kérjük ide elhelyezni a Kereskedő nevének és címének pecsétjét)
<p>Deutsch</p> <p><u>GARANTIESCHEIN</u></p> <ol style="list-style-type: none"> ① Modell-Nr. ② Serien-Nr. ③ Kaufdatum ④ Name und Anschrift des Kunden ⑤ Name und Anschrift des Händlers (Bitte mit Namen und Anschrift des Handlers abstempeln) 	<p>Čeština</p> <p><u>ZÁRUČNÍ LIST</u></p> <ol style="list-style-type: none"> ① Model č. ② Série č. ③ Datum nákupu ④ Jméno a adresa zákazníka ⑤ Jméno a adresa prodejce (Prosíme o razítko se jménem a adresou prodejce)
<p>Ελληνικά</p> <p><u>ΠΙΣΤΟΠΟΙΗΤΙΚΟ ΕΓΓΥΗΣΗΣ</u></p> <ol style="list-style-type: none"> ① Αρ. Μοντέλου ② Αύξων Αρ. ③ Ημερομηνία αγοράς ④ Όνομα και διεύθυνση πελάτη ⑤ Όνομα και διεύθυνση μεταπωλητή (Παρακαλούμε να χρησιμοποιηθεί σφραγίδα) 	<p>Türkçe</p> <p><u>GARANTİ SERTİFİKASI</u></p> <ol style="list-style-type: none"> ① Model No. ② Seri No. ③ Satın Alma Tarihi ④ Müşteri Adı ve Adresi ⑤ Bayi Adı ve Adresi (Lütfen bayi adını ve adresini kaşe olarak basın)
<p>Polski</p> <p><u>GWARANCJA</u></p> <ol style="list-style-type: none"> ① Model ② Numer seryjny ③ Data zakupu ④ Nazwa klienta i adres ⑤ Nazwa dealera i adres (Pieczęć punktu sprzedaży) 	<p>Русский</p> <p><u>ГАРАНТИЙНЫЙ СЕРТИФИКАТ</u></p> <ol style="list-style-type: none"> ① Модель № ② Серийный № ③ Дата покупки ④ Название и адрес заказчика ⑤ Название и адрес дилера (Пожалуйста, внесите название и адрес дилера)

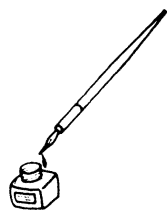


HITACHI

①	
②	
③	
④	
⑤	







Hitachi Power Tools Österreich GmbH

Str. 7, Objekt 58/A6, Industriezentrum NÖ –Süd 2355
Wiener Neudorf, Austria
Tel: +43 2236 64673/5
Fax: +43 2236 63373

Hitachi Power Tools Hungary Kft.

1106 Bogancsvirag U.5-7, Budapest, Hungary
Tel: +36 1 2643433
Fax: +36 1 2643429
URL: <http://www.hitachi-powertools.hu>

Hitachi Power Tools Polska Sp.z o.o.

ul. Kleszczowa27
02-485 Warszawa, Poland
Tel: +48 22 863 33 78
Fax: +48 22 863 33 82
URL: <http://www.hitachi-elektronarzedzia.pl>

Hitachi Power Tools Czech s.r.o.

Videnska 102,619 00 Brno, Czech
Tel: +420 547 426 598
Fax: +420 547 426 599
URL: <http://www.hitachi-powertools.cz>

Hitachi Power Tools Netherlands B.V. Moscow Branch

Kashirskoye Shosse Dom 65, 4F
115583 Moscow, Russia
Tel: +7 495 727 4460 or 4462
Fax: +7 495 727 4461
URL: <http://www.hitachi-pt.ru>

Hitachi Power Tools Romania

Str Sf. Gheorghe nr 20-Ferma, Pantelimon, Jud. Ilfov
Tel: +031 805 25 77
Fax: +031 805 27 19

<p>English</p> <p>CE DECLARATION OF CONFORMITY</p> <p>We declare under our sole responsibility that this product is in conformity with standards or standardized documents EN60745, EN55014 and EN61000 in accordance with Council Directives 2004/108/EC and 98/37/EC.</p> <p>This declaration is applicable to the product affixed CE marking.</p>	<p>Magyar</p> <p>EU MEGFELELŐSÉGI NYILATKOZAT</p> <p>Teljes felelősségünk tudatában kijelentjük, hogy ez a termék megfelel az EN60745, EN55014, és EN 61000 szabványoknak illetve szabványosított dokumentumoknak, az Európa Tanács 2004/108/EC, és 98/37/EC Tanácsi Direktíváival összhangban.</p> <p>Jelen nyilatkozat a terméken feltüntetett CE jelzésre vonatkozik.</p>
<p>Deutsch</p> <p>ERKLÄRUNG ZUR KONFORMITÄT MIT CE-REGELN</p> <p>Wir erklären mit alleiniger Verantwortung, daß dieses Produkt den Standards oder standardisierten Dokumenten EN60745, EN55014 und EN61000 in Übereinstimmung mit den Direktiven des Europarats 2004/108/CE und 98/37/CE entspricht.</p> <p>Diese Erklärung gilt für Produkte, die die CE-Markierung tragen.</p>	<p>Čeština</p> <p>PROHLÁŠENÍ O SHODĚ S CE</p> <p>Prohlašujeme na svoji zodpovědnost, že tento výrobek odpovídá normám EN60745, EN55014 a EN61000 v souladu se směrnicemi 2004/108/EC a 98/37/EC.</p> <p>Toto prohlášení platí pro výrobek označený značkou CE.</p>
<p>Ελληνικά</p> <p>ΕΚ ΔΗΛΩΣΗ ΕΝΑΡΜΟΝΙΣΜΟΥ</p> <p>Δηλώνουμε με απόλυτη υπευθυνότητα ότι αυτό το προϊόν είναι εναρμονισμένο με τα πρότυπα ή τα έγγραφα προτύπων EN60745, EN55014 και EN61000 σε συμφωνία με τις Οδηγίες του Συμβουλίου 2004/108/ΕΚ και 98/37/ΕΚ.</p> <p>Αυτή η δήλωση ισχύει στο προϊόν με το σημάδι CE.</p>	<p>Türkçe</p> <p>AB UYGUNLUK BEYANI</p> <p>Bu ürünü, 2004/108/EC ve 98/37/EC sayılı Konsey Direktiflerine uygun olarak, EN60745, EN55014 ve EN61000 sayılı standartlara ve standartlaştırılmış belgelere uygun olduğunu, tamamen kendi sorumluluğumuz altında beyan ederiz.</p> <p>Bu beyan, üzerinde CE işareti bulunan ürünler için geçerlidir.</p>
<p>Polski</p> <p>DEKLARACJA ZGODNOŚCI Z EC</p> <p>Oznajmiamy z całkowitą odpowiedzialnością, że produkt ten pozostaje w zgodzie ze standardami lub standardową formą dokumentów EN60745, EN55014 i EN61000 w zgodzie z Zasadami Rady 2004/108/ EC i 98/37/EC.</p> <p>To oświadczenie odnosi się do załączonego produktu z oznaczeniami CE.</p>	<p>Русский</p> <p>ДЕКЛАРАЦИЯ СООТВЕТСТВИЯ ЕС</p> <p>Мы с полной ответственностью заявляем, что данное изделие соответствует стандартам или стандартизованным документам EN60745, EN55014 и EN61000 согласно Директивам Совета 2004/108/EC и 98/37/EC.</p> <p>Данная декларация относится к изделиям, на которых имеется маркировка CE.</p>
<p>Representative office in Europe Hitachi Power Tools Europe GmbH Siemensring 34, 47877 Willich 1, F. R. Germany</p> <p>Head office in Japan Hitachi Koki Co., Ltd. Shinagawa Intercity Tower A, 15-1, Konan 2-chome, Minato-ku, Tokyo, Japan</p> <p style="text-align: center;">CE</p> <p style="text-align: right;">30. 1. 2009</p> <p style="text-align: right;"><i>K. Kato</i></p> <p style="text-align: right;">K. Kato Board Director</p>	

 **Hitachi Koki Co., Ltd.**

901
Code No. C99126493 G
Printed in China