

SKIL®

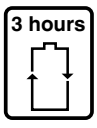
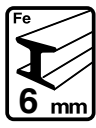
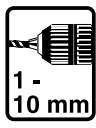
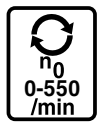
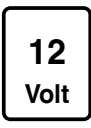
CORDLESS DRILL/DRIVER 2395 (F0152395 . .)



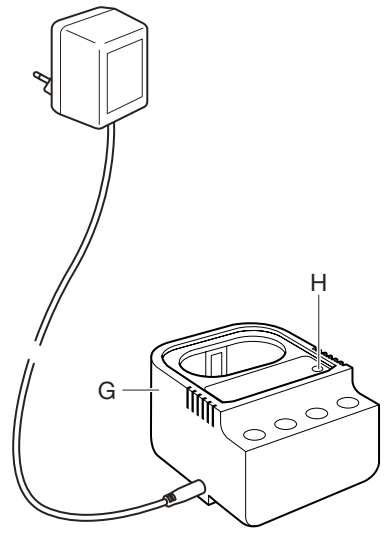
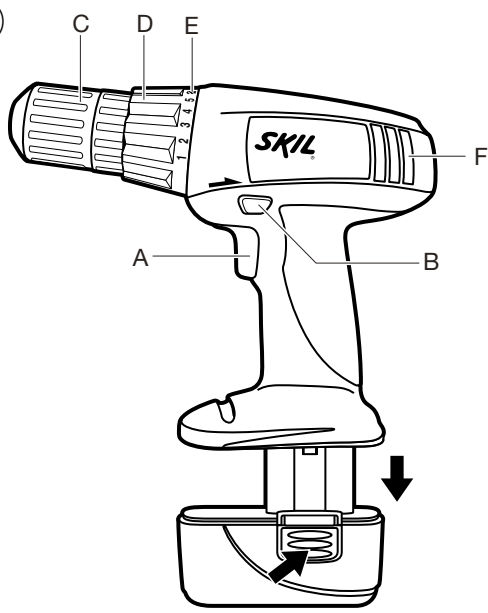
GB	ORIGINAL INSTRUCTIONS	7	UA	ОРИГІНАЛЬНА ІНСТРУКЦІЯ З ЕКСПЛУАТАЦІЇ	66
F	NOTICE ORIGINALE	10	GR	ΠΡΩΤΟΤΥΠΟ ΟΔΗΓΙΩΝ ΧΡΗΣΗΣ	71
D	ORIGINALBETRIEBSANLEITUNG	14	RO	INSTRUCȚIUNI DE FOLOSIRE ORIGINALE	75
NL	ORIGINELE GEBRUIKSAANWIJZING	18	BG	ОРИГИНАЛНО РЪКОВОДСТВО ЗА ЕКСПЛОАТАЦИЯ	79
S	BRUKSANVISNING I ORIGINAL	22	SK	PŔVODNÝ NÁVOD NA POUŽITIE	83
DK	ORIGINAL BRUGSANVISNING	25	HR	ORIGINALNE UPUTE ZA RAD	87
N	ORIGINAL BRUKSANVISNING	29	SRB	ORIGINALNO UPUTSTVO ZA RAD	90
FIN	ALKUPERÄISET OHJEET	32	SLO	IZVIRNA NAVODILA	94
E	MANUAL ORIGINAL	35	EST	ALGUPÄRANE KASUTUSJUHEND	97
P	MANUAL ORIGINAL	39	LV	ORIĢINĀLĀ LIETOŠANAS PAMĀCĪBA	101
I	ISTRUZIONI ORIGINALI	43	LT	ORIGINALI INSTRUKCIJA	105
H	EREDETI HASZNÁLATI UTASÍTÁS	47	MK	ИЗВОРНО УПАТСТВО ЗА РАБОТА	108
CZ	PŔVODNÍM NÁVODEM K POUŽÍVÁNÍ	51	AL	UDHËZIMET ORIGINALE	112
TR	ORİJİNAL İŞLETME TALİMATI	54	AR	دليل الاستعمال	122
PL	INSTRUKCJA ORYGINALNA	58	FA	راهنمای اصلی	120
RU	ПОДЛИННИК РУКОВОДСТВА ПО ЭКСПЛУАТАЦИИ	62			



1 2395



2



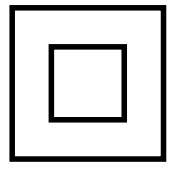
3

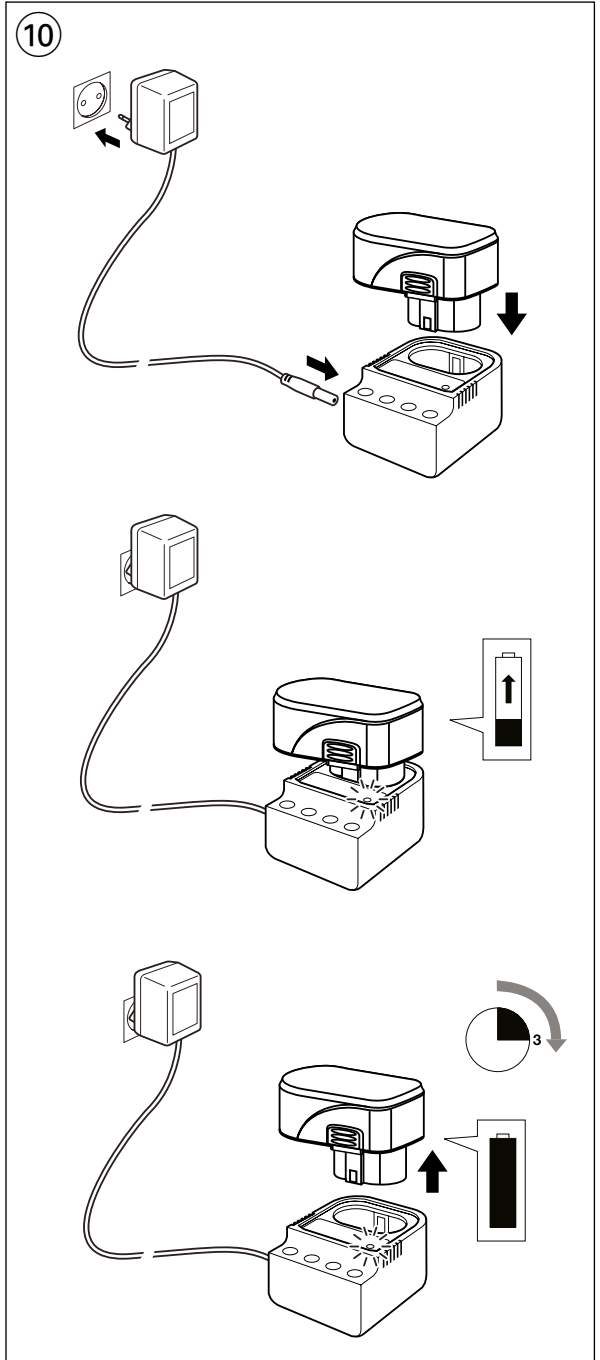
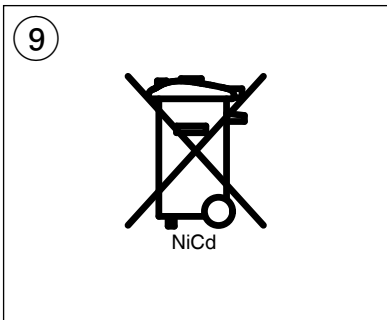
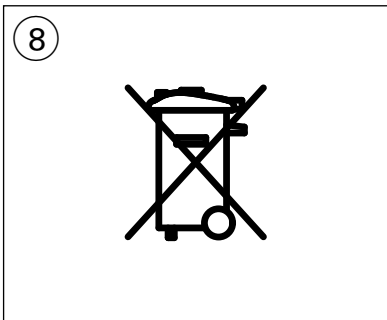
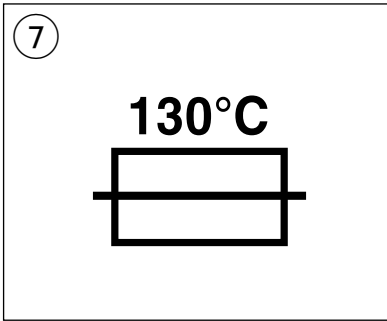
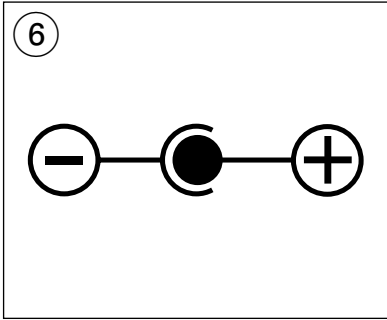


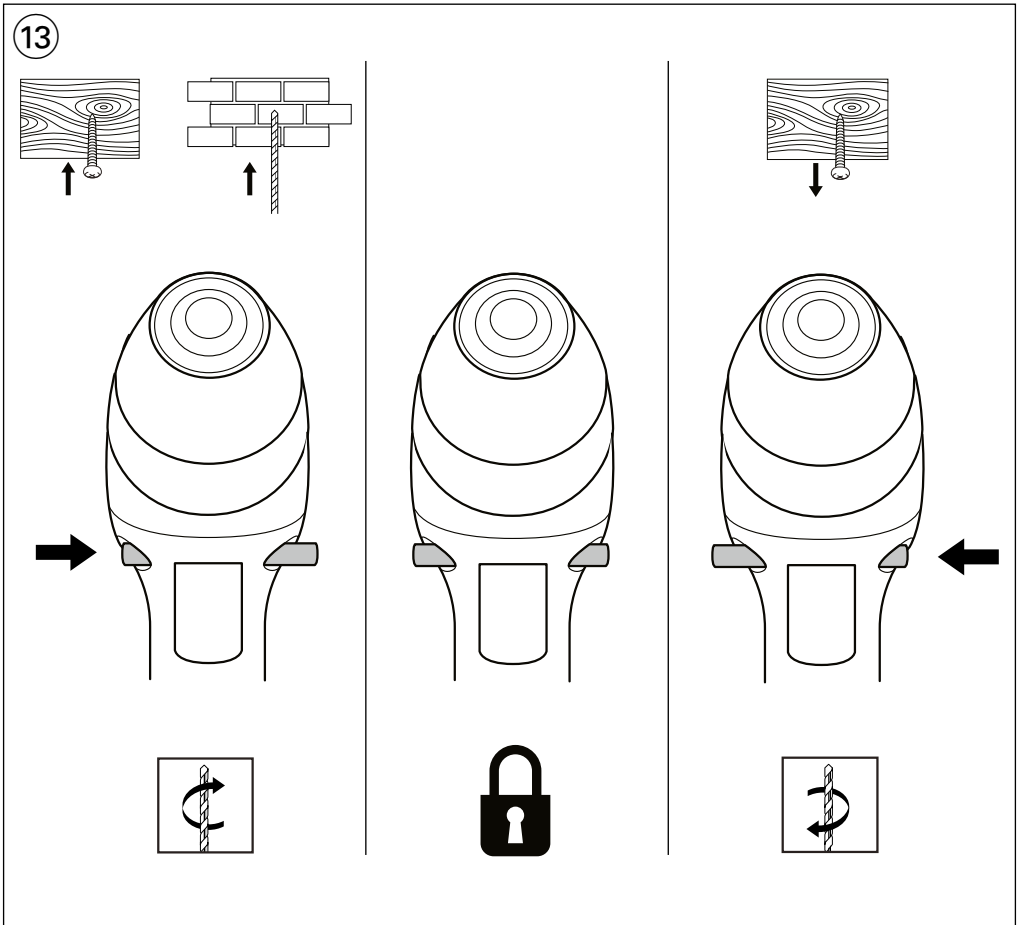
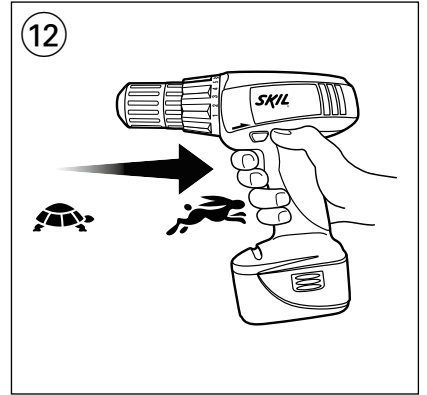
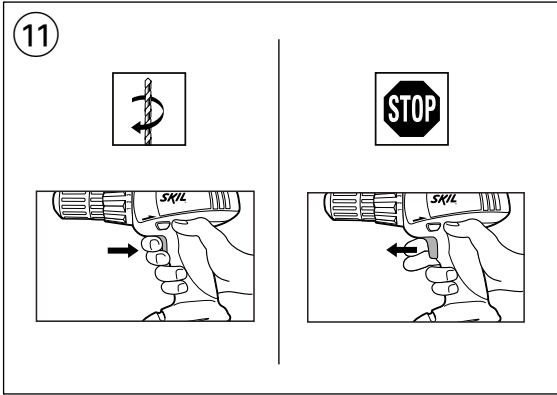
4

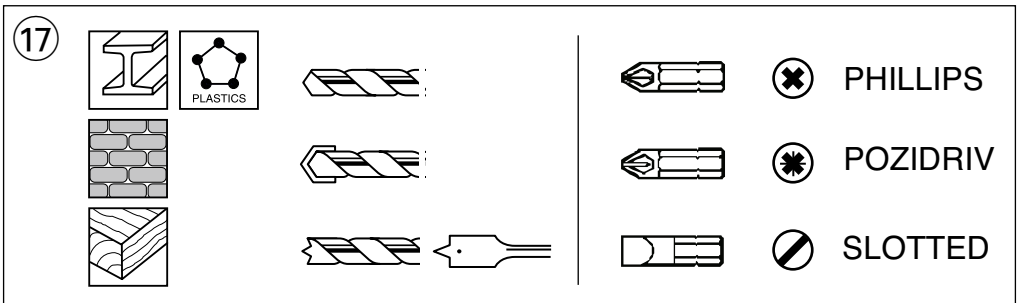
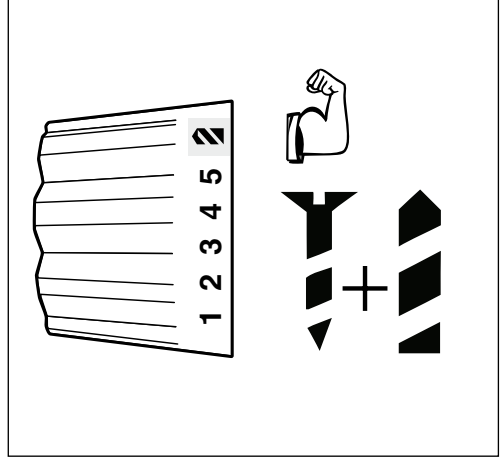
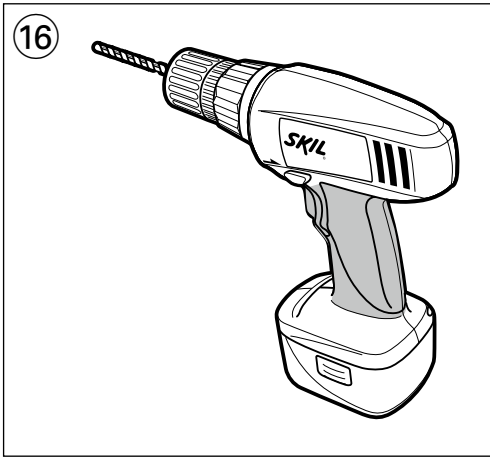
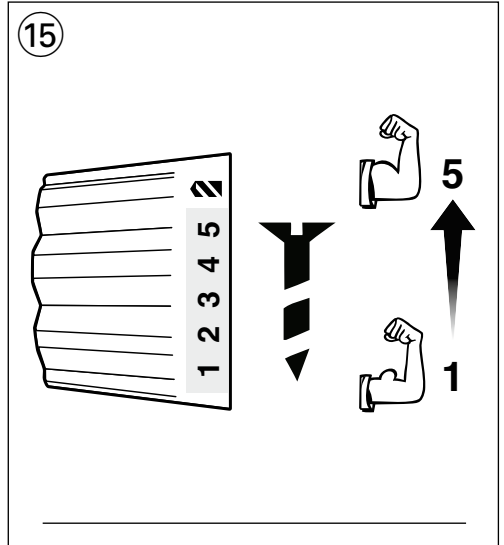
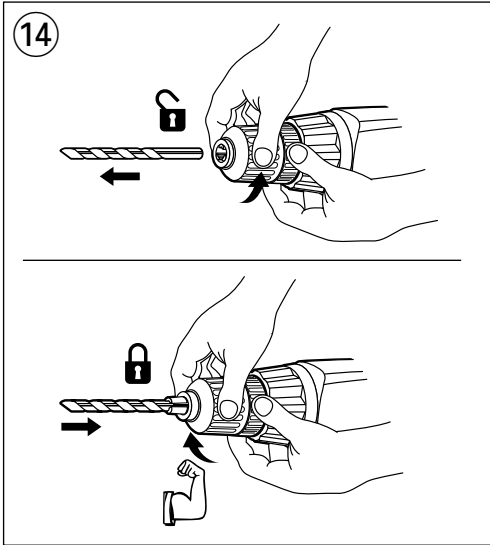


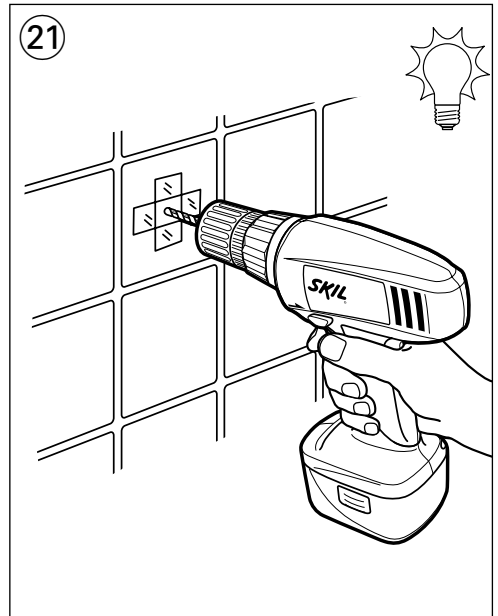
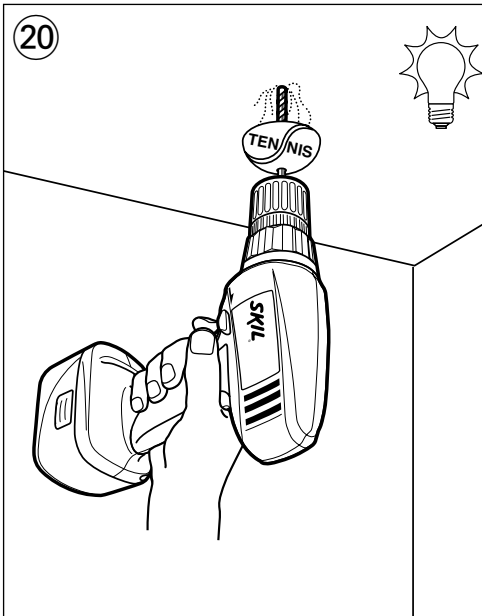
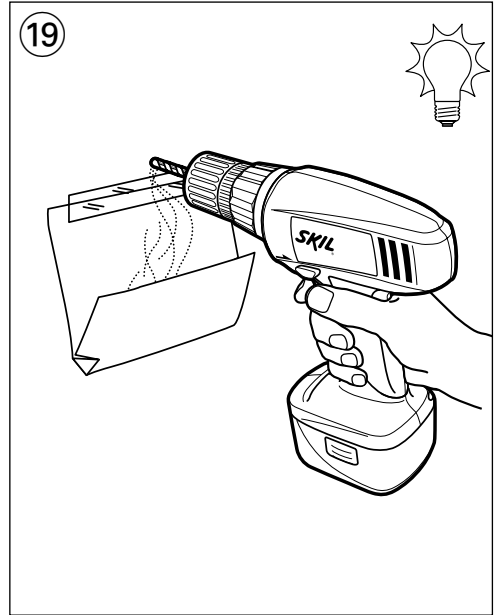
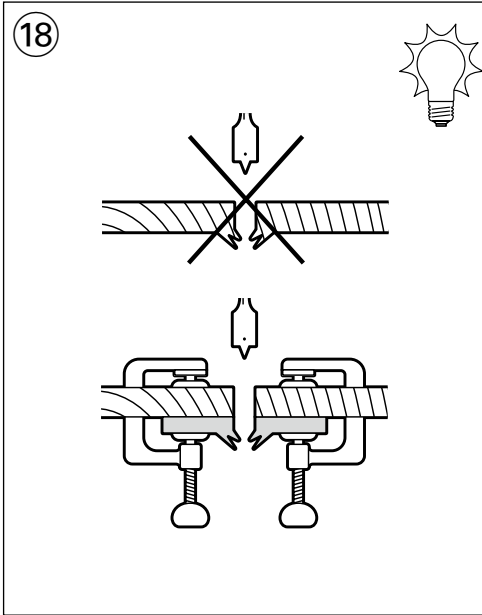
5











ACCESSORIES → **WWW.SKIL.COM**

INTRODUCTION

- This tool is intended for drilling in wood, metal, brick, stone, ceramic and plastic; tools with electronic speed control and left/right rotation are also suitable for screwdriving and thread cutting
- This tool is not intended for professional use
- Read and save this instruction manual ③

TECHNICAL DATA ①

Max. torque for hard screwdriving application according to ISO 5393 : 26 Nm

TOOL ELEMENTS ②

- A Switch for on/off and speed control
- B Switch for changing direction of rotation
- C Keyless chuck
- D Ring for torque control
- E Lock-position (clutch)
- F Ventilation slots
- G Charger
- H Red charging light

SAFETY

GENERAL SAFETY INSTRUCTIONS

⚠ WARNING! Read all safety warnings and all instructions. Failure to follow the warnings and instructions may result in electric shock, fire and/or serious injury. **Save all warnings and instructions for future reference.** The term "power tool" in the warnings refers to your mains-operated (corded) power tool or battery-operated (cordless) power tool.

1) WORK AREA SAFETY

- a) **Keep work area clean and well lit.** Cluttered or dark areas invite accidents.
- b) **Do not operate power tools in explosive atmospheres, such as in the presence of flammable liquids, gases or dust.** Power tools create sparks which may ignite the dust or fumes.
- c) **Keep children and bystanders away while operating a power tool.** Distractions can cause you to lose control.

2) ELECTRICAL SAFETY

- a) **Power tool plugs must match the outlet. Never modify the plug in any way. Do not use any adapter plugs with earthed (grounded) power tools.** Unmodified plugs and matching outlets will reduce risk of electric shock.
- b) **Avoid body contact with earthed or grounded surfaces such as pipes, radiators, ranges and refrigerators.** There is an increased risk of electric shock if your body is earthed or grounded.
- c) **Do not expose power tools to rain or wet conditions.** Water entering a power tool will increase the risk of electric shock.

- d) **Do not abuse the cord. Never use the cord for carrying, pulling or unplugging the power tool. Keep cord away from heat, oil, sharp edges or moving parts.** Damaged or entangled cords increase the risk of electric shock.
- e) **When operating a power tool outdoors, use an extension cord suitable for outdoor use.** Use of a cord suitable for outdoor use reduces the risk of electric shock.
- f) **If operating a power tool in a damp location is unavoidable, use a residual current device (RCD) protected supply.** Use of an RCD reduces the risk of electric shock.

3) PERSONAL SAFETY

- a) **Stay alert, watch what you are doing and use common sense when operating a power tool. Do not use a power tool while you are tired or under the influence of drugs, alcohol or medication.** A moment of inattention while operating power tools may result in serious personal injury.
- b) **Use personal protective equipment. Always wear eye protection.** Protective equipment such as dust mask, non-skid safety shoes, hard hat, or hearing protection used for appropriate conditions will reduce personal injuries.
- c) **Prevent unintentional starting. Ensure the switch is in the off-position before connecting to power source and/or battery pack, picking up or carrying the tool.** Carrying power tools with your finger on the switch or energising power tools that have the switch on invites accidents.
- d) **Remove any adjusting key or wrench before turning the power tool on.** A wrench or a key left attached to a rotating part of the power tool may result in personal injury.
- e) **Do not overreach. Keep proper footing and balance at all times.** This enables better control of the power tool in unexpected situations.
- f) **Dress properly. Do not wear loose clothing or jewelry. Keep your hair, clothing and gloves away from moving parts.** Loose clothes, jewelry or long hair can be caught in moving parts.
- g) **If devices are provided for the connection of dust extraction and collection facilities, ensure these are connected and properly used.** Use of dust collection can reduce dust-related hazards.

4) POWER TOOL USE AND CARE

- a) **Do not force the power tool. Use the correct power tool for your application.** The correct power tool will do the job better and safer at the rate for which it was designed.
- b) **Do not use the power tool if the switch does not turn it on and off.** Any power tool that cannot be controlled with the switch is dangerous and must be repaired.
- c) **Disconnect the plug from the power source and/or the battery pack from the power tool before making any adjustments, changing accessories, or storing power tools.** Such preventive safety measures reduce the risk of starting the power tool accidentally.
- d) **Store idle power tools out of the reach of children and do not allow persons unfamiliar with the power tool or these instructions to operate the power tool.**

Power tools are dangerous in the hands of untrained users.

- e) **Maintain power tools. Check for misalignment or binding of moving parts, breakage of parts and any other condition that may affect the power tool's operation. If damaged, have the power tool repaired before use.** Many accidents are caused by poorly maintained power tools.
 - f) **Keep cutting tools sharp and clean.** Properly maintained cutting tools with sharp cutting edges are less likely to bind and are easier to control.
 - g) **Use the power tool, accessories and tool bits etc., in accordance with these instructions, taking into account the working conditions and the work to be performed.** Use of the power tool for operations different from those intended could result in a hazardous situation.
- 5) BATTERY TOOL USE AND CARE**
- a) **Recharge only with the charger specified by the manufacturer.** A charger that is suitable for one type of battery pack may create a risk of fire when used with another battery pack.
 - b) **Use power tools only with specifically designated battery packs.** Use of any other battery packs may create a risk of injury and fire.
 - c) **When battery pack is not in use, keep it away from other metal objects like paper clips, coins, keys, nails, screws, or other small metal objects that can make a connection from one terminal to another.** Shorting the battery terminals together may cause burns or a fire.
 - d) **Under abusive conditions, liquid may be ejected from the battery; avoid contact. If contact accidentally occurs, flush with water. If liquid contacts eyes, additionally seek medical help.** Liquid ejected from the battery may cause irritation or burns.
- 6) SERVICE**
- a) **Have your power tool serviced by a qualified repair person using only identical replacement parts.** This will ensure that the safety of the power tool is maintained.

SAFETY INSTRUCTIONS FOR CORDLESS DRILL/DRIVERS

- Avoid damage that can be caused by screws, nails and other elements in your workpiece; remove them before you start working
- Always check that the supply voltage is the same as the voltage indicated on the nameplate of the charger
- In case of electrical or mechanical malfunction, immediately switch off the tool or unplug charger from power source
- SKIL can assure flawless functioning of the tool only when original accessories are used
- Use only accessories with an allowable speed matching at least the highest no-load speed of the tool
- The tool/charger is not intended for use by persons (including children) with reduced physical, sensory or mental capabilities, or lack of experience and knowledge, unless they have been given supervision or instruction concerning use of the tool/charger by a person responsible for their safety
- Ensure that children do not play with the tool/charger

- **Secure the workpiece** (a workpiece clamped with clamping devices or in a vice is held more securely than by hand)
- **Hold power tool by insulated gripping surfaces, when performing an operation where the cutting accessory or fastener may contact hidden wiring or its own cord** (cutting accessory and fasteners contacting a "live" wire may make exposed metal parts of the power tool "live" and could give the operator an electric shock)
- **Use suitable detectors to find hidden utility lines or call the local utility company for assistance** (contact with electric lines can lead to fire or electrical shock; damaging a gas line can result in an explosion; penetrating a water pipe will cause property damage or an electrical shock)
- **Do not work materials containing asbestos** (asbestos is considered carcinogenic)
- Dust from material such as paint containing lead, some wood species, minerals and metal may be harmful (contact with or inhalation of the dust may cause allergic reactions and/or respiratory diseases to the operator or bystanders); **wear a dust mask and work with a dust extraction device when connectable**
- Certain kinds of dust are classified as carcinogenic (such as oak and beech dust) especially in conjunction with additives for wood conditioning; **wear a dust mask and work with a dust extraction device when connectable**
- Follow the dust-related national requirements for the materials you want to work with
- Ensure that switch B ② is in the middle (locking) position before making any adjustments or changing accessories as well as when carrying or storing the tool

CHARGING/BATTERIES

- Charge battery only with the charger that is supplied with the tool
- Do not touch the contacts in the charger
- Do not expose tool/charger/battery to rain
- Store tool/charger/battery in locations where temperature will not exceed 40°C or drop below 0°C
- Do not charge battery in damp or wet environments
- Batteries may explode when disposed of in fire, so do not burn battery for any reason
- Do not use charger when damaged; take it to one of the officially registered SKIL Service Stations for a safety check
- Do not use charger when cord or plug is damaged; cord or plug should be replaced immediately at one of the officially registered SKIL Service Stations
- Do not use battery when damaged; it should be replaced immediately
- Do not disassemble charger or battery
- Do not attempt to recharge non-rechargeable batteries with the charger

EXPLANATION OF SYMBOLS ON CHARGER/BATTERY

- ③ Read the instruction manual before use
- ④ Only use the charger indoors
- ⑤ Double insulation (no earth wire required)
- ⑥ Incorrect polarity of the charger connection could cause a hazard (only charge the battery with the charger supplied)

- ⑦ Automatic shut-off when charger gets too hot (thermic fuse blows and charger becomes useless)
- ⑧ Do not dispose of the charger together with household waste material
- ⑨ Do not dispose of the battery together with household waste material

USE

- Charging battery ⑩
 - battery of new tools is not fully charged
 - connect charger to power source as illustrated
 - insert battery into charger
 - red light H will turn on indicating that the battery is being charged
 - red light H will stay on as long as the battery is connected to the charger and the charger is in the wall socket
- ! **remove battery from charger after charging period has ended thereby lengthening the service life of the battery**

IMPORTANT:

- after 3 hours the charging operation will be completed, and the battery may be used
- while charging, the charger and the battery may become warm to touch; this is normal and does not indicate a problem
- ensure that the outside surface of the battery is clean and dry before inserting into charger
- do not charge at temperatures below 0°C and over 45°C; this will seriously damage the battery as well as the charger
- do not remove battery from tool while it is running
- ! **a battery that is new or has not been used for a longer period does not develop its full capacity until after approximately 5 charging/discharging cycles**
- do not repeatedly recharge the battery after only a few minutes of operation; this may result in a reduction of operating time and battery efficiency
- if you anticipate long periods of non-use for the tool, it is best to unplug the charger from its power source
- On/Off ⑪
- Speed control for smooth starting ⑫
- Changing direction of rotation ⑬
 - when not properly set in left/right position, switch A ② cannot be activated
- ! **change direction of rotation only when tool is at a complete standstill**
- Changing bits ⑭
 - insert the bit as deep as possible in the chuck
- ! **do not use bits with a damaged shank**
- Torque control (VariTorque) ⑮
 - output torque will increase as clutch ring D is rotated from 1 to 5; position E will lock up the clutch to permit drilling or driving heavy duty work
 - when turning in a screw, first try VariTorque position 1 and increase until the desired depth has been reached
- Holding and guiding the tool ⑯
 - ! **while working, always hold the tool at the grey-coloured grip area(s)**
 - keep ventilation slots F ② uncovered

- do not apply too much pressure on the tool; let the tool do the work for you

APPLICATION ADVICE

- Use the appropriate bits ⑰
 - ! **only use sharp bits**
- When drilling ferrous metals
 - pre-drill a smaller hole, when a large hole is required
 - lubricate drill bit occasionally with oil
- When turning in a screw at/near the cross cut end or an edge of wood, pre-drill a hole in order to avoid cracking of the wood
- For an optimal use of the tool a steady pressure on the screw is required, especially while removing
- When screwdriving in hard wood one should pre-drill a hole
- Splinterfree drilling in wood ⑱
- Dustfree drilling in walls ⑲
- Dustfree drilling in ceilings ⑳
- Drilling in tiles without skidding ㉑
- For more tips see www.skil.com

MAINTENANCE / SERVICE

- This tool is not intended for professional use
- Keep tool and charger clean
 - clean charging contacts in charger with alcohol or contact cleaner
- ! **unplug charger from power source before cleaning**
- If the tool/charger should fail despite the care taken in manufacturing and testing procedures, repair should be carried out by an after-sales service centre for SKIL power tools
 - send the tool or charger **undismantled** together with proof of purchase to your dealer or the nearest SKIL service station (addresses as well as the service diagram of the tool are listed on www.skil.com)
 - in case of a defective charger send **both charger and battery** to your dealer or the SKIL service station

ENVIRONMENT

- **Do not dispose of electric tools, accessories and packaging together with household waste material** (only for EU countries)
 - in observance of European Directive 2012/19/EC on waste of electric and electronic equipment and its implementation in accordance with national law, electric tools that have reached the end of their life must be collected separately and returned to an environmentally compatible recycling facility
 - symbol ⑧ will remind you of this when the need for disposing occurs
- The battery must be kept separate from the natural environment and should not be disposed of as normal domestic waste (symbol ⑨ will remind you of this when the need for disposing occurs)
 - ! **prior to disposal protect battery terminals with heavy tape to prevent short-circuit**

DECLARATION OF CONFORMITY CE

Cordless drill/driver 2395

Technical data ①

- We declare under our sole responsibility that the product described under "Technical data" is in conformity with the following standards or standardization documents: EN 60745 (tool), EN 60335 (charger), EN 61000, EN 55014, in accordance with the provisions of the directives 2006/42/EC, 2014/35/EU, 2014/30/EU, 2011/65/EU
- Technical file at:** SKIL Europe BV (PT-SEU/ENG1), 4825 BD Breda, NL

Marijn van der Hoofden
Operations & Engineering

Olaf Dijkgraaf
Approval Manager

SKIL Europe BV, 4825 BD Breda, NL

21.10.2014

NOISE/VIBRATION

- Measured in accordance with EN 60745 the sound pressure level of this tool is <70 dB(A) (standard deviation: 3 dB) and the vibration * m/s² (hand-arm method; uncertainty K = 1.5 m/s²)
 - * when drilling in metal <2.5 m/s²
 - * when screwdriving <2.5 m/s²
 - The vibration emission level has been measured in accordance with a standardised test given in EN 60745; it may be used to compare one tool with another and as a preliminary assessment of exposure to vibration when using the tool for the applications mentioned
 - using the tool for different applications, or with different or poorly maintained accessories, may significantly **increase** the exposure level
 - the times when the tool is switched off or when it is running but not actually doing the job, may significantly **reduce** the exposure level
- ! protect yourself against the effects of vibration by maintaining the tool and its accessories, keeping your hands warm, and organizing your work patterns**

F

Perceuse/visseuse sans fil 2395

INTRODUCTION

- Cet outil est conçu pour le perçage dans le bois, le métal, la brique, la pierre naturelle, la céramique et les matières plastiques; les outils avec réglage électronique de la vitesse et rotation à droite/à gauche sont également appropriés pour le vissage et le filetage
- Cet outil n'est conçu pour un usage professionnel
- Lisez et conservez ce manuel d'instruction ③

CARACTERISTIQUES TECHNIQUES ①

Couple max. vissage dur suivant ISO 5393 : 26 Nm

ELEMENTS DE L'OUTIL ②

- A** Interrupteur de marche/arrêt et réglage de vitesse
- B** Commutateur pour inverser le sens de rotation
- C** Mandrin auto-serrant
- D** Anneau pour réglage du couple
- E** Position de verrouillage (embrayage)
- F** Fentes de ventilation
- G** Chargeur
- H** Voyant du chargeur rouge

SECURITE

INSTRUCTIONS GENERALES DE SECURITE

⚠ ATTENTION! Lisez tous les avertissements de sécurité et toutes les instructions. Ne pas suivre les avertissements et instructions peut entraîner un choc électrique, un incendie et/ou de graves blessures sur les personnes. **Conservez tous les avertissements et toutes les instructions pour pouvoir s'y reporter ultérieurement.** La notion d'"outil électroportatif" dans les avertissements se rapporte à des outils électriques raccordés au secteur (avec câble de raccordement) et à des outils électriques à batterie (sans câble de raccordement).

1) SECURITE DE LA ZONE DE TRAVAIL

- Maintenez l'endroit de travail propre et bien éclairé.** Un lieu de travail en désordre ou mal éclairé augmente le risque d'accidents.
- N'utilisez pas l'appareil dans un environnement présentant des risques d'explosion et où se trouvent des liquides, des gaz ou poussières inflammables.** Les outils électroportatifs génèrent des étincelles risquant d'enflammer les poussières ou les vapeurs.
- Tenez les enfants et autres personnes éloignés durant l'utilisation de l'outil électroportatif.** En cas d'inattention vous risquez de perdre le contrôle sur l'appareil.

2) SECURITE RELATIVE AU SYSTEME ELECTRIQUE

- La fiche de secteur de l'outil électroportatif doit être appropriée à la prise de courant. Ne modifiez en aucun cas la fiche. N'utilisez pas de fiches d'adaptateur avec des appareils avec mise à la terre.** Les fiches non modifiées et les prises de courant appropriées réduisent le risque de choc électrique.
- Évitez le contact physique avec des surfaces mises à la terre telles que tuyaux, radiateurs, fours et réfrigérateurs.** Il y a un risque élevé de choc électrique au cas où votre corps serait relié à la terre.
- N'exposez pas l'outil électroportatif à la pluie ou à l'humidité.** La pénétration d'eau dans un outil électroportatif augmente le risque d'un choc électrique.
- N'utilisez pas le câble à d'autres fins que celles prévues, n'utilisez pas le câble pour porter l'appareil ou pour l'accrocher ou encore pour le débrancher de la prise de courant. Maintenez le câble éloigné des sources de chaleur, des parties grasses, des bords tranchants ou des parties de l'appareil en rotation.** Un câble endommagé ou torsadé augmente le risque d'un choc électrique.

- e) **Au cas où vous utiliseriez l'outil électroportatif à l'extérieur, utilisez une rallonge autorisée homologuée pour les applications extérieures.** L'utilisation d'une rallonge électrique homologuée pour les applications extérieures réduit le risque d'un choc électrique.
- f) **Si l'usage d'un outil dans un emplacement humide est inévitable, utilisez un disjoncteur de fuite à la terre.** L'utilisation d'un disjoncteur de fuite à la terre réduit le risque de choc électrique.
- 3) SECURITE DES PERSONNES**
- a) **Restez vigilant, surveillez ce que vous faites. Faites preuve de bon sens en utilisant l'outil électroportatif. N'utilisez pas l'appareil lorsque vous êtes fatigué ou après avoir consommé de l'alcool, des drogues ou avoir pris des médicaments.** Un moment d'inattention lors de l'utilisation de l'appareil peut entraîner de graves blessures sur les personnes.
- b) **Portez des équipements de protection. Portez toujours des lunettes de protection.** Le fait de porter des équipements de protection personnels tels que masque anti-poussières, chaussures de sécurité antidérapantes, casque de protection ou protection acoustique suivant le travail à effectuer, réduit le risque de blessures.
- c) **Évitez tout démarrage intempestif. S'assurez que l'interrupteur est en position arrêté avant de brancher l'outil au secteur et/ou au bloc de batteries, de le ramasser ou de le porter.** Porter les outils en ayant le doigt sur l'interrupteur ou brancher des outils dont l'interrupteur est en position marche est source d'accidents.
- d) **Enlevez tout outil de réglage ou toute clé avant de mettre l'appareil en fonctionnement.** Une clé ou un outil se trouvant sur une partie en rotation peut causer des blessures.
- e) **Ne surestimez pas vos capacités. Veillez à garder toujours une position stable et équilibrée.** Ceci vous permet de mieux contrôler l'appareil dans des situations inattendues.
- f) **Portez des vêtements appropriés. Ne portez pas de vêtements amples ni de bijoux. Maintenez cheveux, vêtements et gants éloignés des parties de l'appareil en rotation.** Des vêtements amples, des bijoux ou des cheveux longs peuvent être happés par des pièces en mouvement.
- g) **Si des dispositifs servant à aspirer ou à recueillir les poussières doivent être utilisés, vérifiez que ceux-ci soient effectivement raccordés et qu'ils sont correctement utilisés.** L'utilisation des collecteurs de poussière réduit les dangers dus aux poussières.
- 4) UTILISATION ET EMPLOI SOIGNEUX DE L'OUTIL ELECTROPORTATIF**
- a) **Ne surchargez pas l'appareil. Utilisez l'outil électroportatif approprié au travail à effectuer.** Avec l'outil électroportatif approprié, vous travaillerez mieux et avec plus de sécurité à la vitesse pour laquelle il est prévu.
- b) **N'utilisez pas un outil électroportatif dont l'interrupteur est défectueux.** Un outil électroportatif qui ne peut plus être mis en ou hors fonctionnement est dangereux et doit être réparé.
- c) **Débranchez la fiche de la source d'alimentation en courant et/ou le bloc de batteries de l'outil avant tout réglage, changement d'accessoires ou avant de ranger l'outil.** Cette mesure de précaution empêche une mise en fonctionnement par mégarde.
- d) **Gardez les outils électroportatifs non utilisés hors de portée des enfants. Ne permettez pas l'utilisation de l'appareil à des personnes qui ne se sont pas familiarisées avec celui-ci ou qui n'ont pas lu ces instructions.** Les outils électroportatifs sont dangereux lorsqu'ils sont utilisés par des personnes non initiées.
- e) **Prenez soin des outils électroportatifs. Vérifiez que les parties en mouvement fonctionnent correctement et qu'elles ne soient pas coincées, et contrôlez si des parties sont cassées ou endommagées de telle sorte que le bon fonctionnement de l'appareil s'en trouve entravé. Faites réparer les parties endommagées avant d'utiliser l'appareil.** De nombreux accidents sont dus à des outils électroportatifs mal entretenus.
- f) **Maintenez les outils de coupe aiguisés et propres.** Des outils soigneusement entretenus avec des bords tranchants bien aiguisés se coincent moins souvent et peuvent être guidés plus facilement.
- g) **Utilisez les outils électroportatifs, les accessoires, les outils à monter etc. conformément à ces instructions. Tenez compte également des conditions de travail et du travail à effectuer.** L'utilisation des outils électroportatifs à d'autres fins que celles prévues peut entraîner des situations dangereuses.
- 5) UTILISATION ET EMPLOI SOIGNEUX DES APPAREILS SANS FIL**
- a) **Ne chargez les accumulateurs que dans des chargeurs recommandés par le fabricant.** Un chargeur approprié à un type spécifique d'accumulateur peut engendrer un risque d'incendie lorsqu'il est utilisé avec d'autres accumulateurs.
- b) **Dans les outils électroportatifs, n'utilisez que les accumulateurs spécialement prévus pour celui-ci.** L'utilisation de tout autre accumulateur peut entraîner des blessures et des risques d'incendie.
- c) **Tenez l'accumulateur non-utilisé à l'écart de toutes sortes d'objets métalliques tels qu'agrafes, pièces de monnaie, clés, clous, vis ou autres, étant donné qu'un pontage peut provoquer un court-circuit.** Un court-circuit entre les contacts d'accu peut provoquer des brûlures ou un incendie.
- d) **En cas d'utilisation abusive, du liquide peut sortir de l'accumulateur. Evitez tout contact avec ce liquide. En cas de contact par mégarde, rincez soigneusement avec de l'eau. Au cas où le liquide rentrerait dans les yeux, consultez en plus un médecin.** Le liquide qui sort de l'accumulateur peut entraîner des irritations de la peau ou causer des brûlures.
- 6) SERVICE**
- a) **Ne faites réparer votre outil électroportatif que par un personnel qualifié et seulement avec des pièces de rechange d'origine.** Ceci permet d'assurer la sécurité de l'appareil.

INSTRUCTIONS DE SECURITE POUR PERCEUSE/ VISSEUSES SANS FIL

- Faites attention aux vis, clous ou autres éléments qui pourraient se trouver dans la pièce à travailler et qui risqueraient d'endommager très fortement votre outil; enlevez-les avant de commencer le travail
- Contrôlez toujours si la tension secteur correspond à la tension indiquée sur la plaquette signalétique du chargeur
- En cas d'anomalie électrique ou mécanique, coupez immédiatement l'outil ou débranchez le chargeur du secteur
- SKIL ne peut se porter garant du bon fonctionnement de cet outil que s'il a été utilisé avec les accessoires d'origine
- La vitesse admissible des accessoires utilisées doit être au moins aussi élevée que la vitesse à vide maximale de l'outil
- L'outil/chargeur n'a pas été conçu pour être utilisé par des personnes (y compris des enfants) dont les capacités physiques, sensorielles ou mentales sont réduites, ou manquant d'expérience ou de connaissances, excepté si elles ont fait l'objet d'une surveillance ou ont reçu des instructions concernant l'utilisation de l'outil/chargeur par une personne responsable de leur sécurité
- Veillez à ce que les enfants ne jouent pas avec l'outil/le chargeur
- **Fixez solidement la pièce à travailler** (une pièce fixée à l'aide de dispositifs de fixation est davantage assurée que si elle était tenue à la main)
- **Tenez l'outil par les surfaces de préhension isolées, lors de la réalisation d'une opération au cours de laquelle l'accessoire de coupe ou la vis peut entrer en contact avec un câblage non apparent ou son propre câble d'alimentation** (le contact avec un fil sous tension peut également mettre sous tension les parties métalliques de l'outil électrique et provoquer un choc électrique sur l'opérateur)
- **Utilisez des détecteurs appropriés afin de localiser la présence de conduites électriques ou bien s'adresser à la société locale de distribution** (un contact avec des lignes électriques peut provoquer un incendie et une décharge électrique; le fait d'endommager une conduite de gaz peut entraîner une explosion; le fait d'endommager une conduite d'eau peut entraîner des dégâts matériels ou causer une décharge électrique)
- **Ne travaillez pas de matériaux contenant de l'amiante** (l'amiante est considérée comme étant cancérigène)
- La poussière de matériaux, tels que la peinture contenant du plomb, certaines espèces de bois, certains minéraux et différents métaux, peut être nocive (le contact avec la poussière ou son inhalation peut provoquer des réactions allergiques et/ou des maladies respiratoires chez l'opérateur ou des personnes se trouvant à proximité); **portez un masque antipoussières et travaillez avec un appareil de dépoussiérage lorsqu'il est possible d'en connecter un**

- Certains types de poussières sont classifiés comme étant cancérigènes (tels que la poussière de chêne ou de hêtre), en particulier en combinaison avec des additifs de traitement du bois; **portez un masque antipoussières et travaillez avec un appareil de dépoussiérage lorsqu'il est possible d'en connecter un**
- Suivez les directives nationales relatives au dépoussiérage pour les matériaux à travailler
- Vérifiez que le commutateur ② est en position moyen (de blocage) avant d'effectuer des réglages sur l'outil ou de changer des accessoires, ainsi qu'en transportant ou rangant l'outil

RECHARGE/BATTERIES

- Rechargez la batterie uniquement avec le chargeur fourni avec l'outil
- Ne touchez pas les contacts du chargeur
- Ne jamais exposez l'outil/le chargeur/la batterie à la pluie
- Rangez l'outil/le chargeur/la batterie dans des endroits où la température n'excède pas 40°C et ne descende pas au dessous de 0°C
- Ne chargez pas la batterie dans un environnement humide
- La batterie explosera si elle est jetée au feu - ne la brûlez en aucun cas
- N'utilisez jamais un chargeur endommagé; confiez-le à une des stations-service agréées SKIL que effectuera un contrôle de sécurité
- N'utilisez jamais de chargeur avec un câble ou une fiche endommagé; remplacez le câble ou la fiche au plus vite dans l'une des stations-service agréées SKIL
- Ne pas utiliser la batterie lorsque celle-ci est endommagée; remplacez-la au plus vite
- Ne démontez pas le chargeur ou la batterie
- Ne tentez pas de recharger des batteries non-rechargeables avec le chargeur

EXPLICATION DES SYMBOLES SUR LE CHARGEUR/ LA BATTERIE

- ③ Veuillez lire le mode d'emploi avant d'utiliser l'outil
- ④ Utilisez le chargeur uniquement à l'intérieur
- ⑤ Double-isolation (ne nécessite pas de mise à la terre)
- ⑥ Une polarité incorrecte dans la connexion du chargeur peut entraîner un danger (charger uniquement la batterie avec le chargeur fourni)
- ⑦ Arrêt automatique lorsque le chargeur devient trop chaud (le fusible thermique saute et le chargeur n'est plus utilisable)
- ⑧ Ne jetez pas le chargeur dans les ordures ménagères
- ⑨ Ne jetez pas la batterie dans les ordures ménagères

UTILISATION

- Chargement de la batterie ⑩
 - dans les outils neufs la batterie n'est pas complètement chargée
 - branchez le chargeur sur une prise secteur comme illustré
 - mettez la batterie dans le chargeur
 - le voyant rouge H s'allumera, indiquant que la batterie est en cours de chargement
 - le voyant rouge H reste allumé aussi longtemps que la batterie est branchée au chargeur et le chargeur à la prise murale

! retirez la batterie du chargeur après la fin de la durée de charge rallongant ainsi la durée de vie de la batterie

IMPORTANT:

- au bout de 3 heures la charge sera terminée et la batterie peut être utilisée
- en chargeant, le chargeur et la batterie peuvent devenir chaud au toucher; cette situation est tout à fait normale et n'indique pas un problème
- s'assurez que l'extérieur de la batterie est propre et sec avant de la placer dans le chargeur
- ne jamais recharger à une température inférieure à 0°C ou supérieure à 45°C au risque de détériorer sérieusement la batterie ainsi que le chargeur
- ne pas retirez la batterie de l'outil lorsque ce dernier est en marche

! une batterie neuve ou une batterie qui n'a pas été utilisée pendant une période assez longue, n'atteint sa pleine puissance qu'après environ 5 cycles de charge/décharge

- ne pas recharger trop souvent la batterie si vous n'avez utilisé l'outil que quelques minutes; sinon il pourrait en résulter une réduction de la durée d'utilisation et une perte d'efficacité de la batterie
- si vous prévoyez de ne pas utiliser l'outil pendant quelques temps, il serait préférable de débrancher le chargeur du secteur

- Marche/arrêt ⁽¹¹⁾
- Réglage de la vitesse pour démarrage doux ⁽¹²⁾
- Inversion du sens de rotation ⁽¹³⁾
 - quand l'outil n'est pas réglé exactement sur la position gauche/droite, il ne peut être mis en marche

! inversez uniquement le sens de rotation lorsque l'outil est à l'arrêt complet

- Changement des embouts ⁽¹⁴⁾
 - enfoncez l'embout le plus profondément possible dans le mandrin

! ne pas utiliser des embouts avec une queue endommagée

- Réglage du couple (VariTorque) ⁽¹⁵⁾
 - le couple de sortie augmentera si l'anneau D est passé de 1 à 5; la position E bloquera le couple pour permettre le perçage et le vissage dans des travaux durs
 - quand vous devez visser une vis, d'abord commencez en VariTorque position 1 et augmentez le couple jusqu'à la vis a atteint la profondeur désirée

- Tenue et guidage de l'outil ⁽¹⁶⁾

! lorsque vous travaillez, tenez toujours l'outil par la(les) zone(s) de couleur grise

- veillez à ce que les fentes de ventilation F ⁽²⁾ soient découvertes
- ne pas appuyez trop fortement sur l'outil; laissez l'outil travailler pour vous

CONSEILS D'UTILISATION

- Utilisez les embouts appropriés ⁽¹⁷⁾
 - ! utilisez seulement des embouts bien affûtés**
- Quand vous percez des métaux ferreux
 - pour faire un gros trou, faites un avant-trou plus petit
 - lubrifiez le foret de temps en temps

- Quand vous devez visser une vis près d'une arête de bois ou à la fin d'une coupe transversale, il est préférable de faire un avant-trou afin d'éviter de faire craquer le bois
- Pour un usage optimal de l'outil une pression constante sur la vise est nécessaire, spécialement durant dévissage
- Quand vous devez visser une vis au bois d'ur, il est préférable de faire un avant-trou
- Perçage sans éclat en bois ⁽¹⁸⁾
- Perçage sans poussières dans les murs ⁽¹⁹⁾
- Perçage sans poussières dans les plafonds ⁽²⁰⁾
- Perçage des carreaux sans glisser ⁽²¹⁾
- Pour des suggestions complémentaires voyez www.skil.com

ENTRETIEN / SERVICE APRES-VENTE

- Cet outil n'est pas conçu pour un usage professionnel
- Veillez à ce que votre outil et le chargeur soient toujours propres
 - nettoyez les contacteurs du chargeur avec de l'alcool ou un produit spécial
- ! débranchez le chargeur du secteur avant de le nettoyer**
- Si, malgré tous les soins apportés à la fabrication et au contrôle de l'outil/chargeur, celui ci devait avoir un défaut, la réparation ne doit être confiée qu'à une station de service après-vente agréée pour outillage SKIL
 - retournez l'outil ou le chargeur **non démonté** au vendeur ou au centre de service après-vente SKIL le plus proche, en joignant la preuve d'achat (les adresses ainsi que la vue éclatée de l'outil figurent sur www.skil.com)
 - si le chargeur est défectueux, veuillez renvoyer **le chargeur ainsi que la batterie** au vendeur ou au centre de services après-vente SKIL

ENVIRONNEMENT

- **Ne jetez pas les outils électriques, les accessoires et l'emballage dans les ordures ménagères** (pour les pays européens uniquement)
 - conformément à la directive européenne 2012/19/EG relative aux déchets d'équipements électriques ou électroniques, et à sa transposition dans la législation nationale, les outils électriques usés doivent être collectés séparément et faire l'objet d'un recyclage respectueux de l'environnement
 - le symbole ⁽³⁾ vous le rappellera au moment de la mise au rebut de l'outil
- Il faut que la batterie est tenue éloignée de l'environnement naturel et ne s'est débarrassée pas comme ordures ménagères normales (le symbole ⁽⁹⁾ vous en souvient quand la nécessité du débarras se présente)
 - ! avant d'envoyer les batteries au recyclage, pour éviter un éventuel court-circuit, il convient de revêtir les bornes d'un épais ruban adhésif isolant**

DECLARATION DE CONFORMITE CE

Perceuse/visseuse sans fil 2395

Caractéristiques techniques ①

- Nous déclarons sous notre propre responsabilité que le produit décrit sous "Caractéristiques techniques" est en conformité avec les normes ou documents normatifs suivants: EN 60745 (outil), EN 60335 (chargeur), EN 61000, EN 55014, conformément aux termes des réglementations en vigueur 2006/42/CE, 2014/35/UE, 2014/30/UE, 2011/65/UE
- Dossier technique auprès de:** SKIL Europe BV (PT-SEU/ENG1), 4825 BD Breda, NL

Marijn van der Hoofden
Operations & Engineering

Olaf Dijkgraaf
Approval Manager

SKIL Europe BV, 4825 BD Breda, NL

21.10.2014

BRUIT/VIBRATION

- Mesuré selon EN 60745 le niveau de la pression sonore de cet outil est <70 dB(A) (déviatoin standard: 3 dB) et la vibration * m/s² (méthode main-bras; incertitude K = 1,5 m/s²)
 - * pendant le perçage du métal <2,5 m/s²
 - * pendant le vissage <2,5 m/s²
 - Le niveau de vibrations émises a été mesuré conformément à l'essai normalisé de la norme EN 60745; il peut être utilisé pour comparer plusieurs outils et pour réaliser une évaluation préliminaire de l'exposition aux vibrations lors de l'utilisation de l'outil pour les applications mentionnées
 - l'utilisation de l'outil dans d'autres applications, ou avec des accessoires différents ou mal entretenus, peut considérablement **augmenter** le niveau d'exposition
 - la mise hors tension de l'outil et sa non-utilisation pendant qu'il est allumé peuvent considérablement **réduire** le niveau d'exposition
- ! protégez-vous contre les effets des vibrations par un entretien correct de l'outil et de ses accessoires, en gardant vos mains chaudes et en structurant vos schémas de travail**

D

Akku-Bohrschrauber

2395

EINLEITUNG

- Dieses Werkzeug ist bestimmt zum Bohren in Holz, Metall, Ziegel, Gestein, Keramik und Kunststoff; Werkzeuge mit elektronischer Drehzahlregulierung und Rechts-/ Linkslauf sind auch geeignet zum Schrauben und Gewindeschneiden
- Dieses Werkzeug eignet sich nicht für den professionellen Einsatz

- Bitte diese Bedienungsanleitung sorgfältig lesen und aufbewahren ③

TECHNISCHE DATEN ①

Max. Drehmoment harter Schraubfall nach ISO 5393 : 26 Nm

WERKZEUGKOMPONENTEN ②

- A** Schalter zum Ein-Aus-Schalten und zur Drehzahlregelung
- B** Schalter zum Umschalten der Drehrichtung
- C** Schnellspann-Bohrfutter
- D** Ring zur Drehmoment-Kontrolle
- E** Sperrstellung (Kupplung)
- F** Lüftungsschlitze
- G** Ladegerät
- H** Ladeanzeige (rot)

SICHERHEIT

ALLGEMEINE SICHERHEITSHINWEISE

⚠ ACHTUNG! Lesen Sie alle Sicherheitshinweise und Anweisungen. Versäumnisse bei der Einhaltung der Sicherheitshinweise und Anweisungen können elektrischen Schlag, Brand und/oder schwere Verletzungen verursachen. **Bewahren Sie alle Sicherheitshinweise und Anweisungen für die Zukunft auf.** Der in den Sicherheitshinweisen verwendete Begriff "Elektrowerkzeug" bezieht sich auf netzbetriebene Elektrowerkzeuge (mit Netzkabel) und auf akkubetriebene Elektrowerkzeuge (ohne Netzkabel).

1) ARBEITSPLATZSICHERHEIT

- Halten Sie Ihren Arbeitsbereich sauber und gut beleuchtet.** Unordnung oder unbeleuchtete Arbeitsbereiche können zu Unfällen führen.
- Arbeiten Sie mit dem Gerät nicht in explosionsgefährdeter Umgebung, in der sich brennbare Flüssigkeiten, Gase oder Stäube befinden.** Elektrowerkzeuge erzeugen Funken, die den Staub oder die Dämpfe entzünden können.
- Halten Sie Kinder und andere Personen während der Benutzung des Elektrowerkzeugs fern.** Bei Ablenkung können Sie die Kontrolle über das Gerät verlieren.

2) ELEKTRISCHE SICHERHEIT

- Der Anschlussstecker des Gerätes muss in die Steckdose passen. Der Stecker darf in keiner Weise verändert werden. Verwenden Sie keine Adapterstecker gemeinsam mit schutzgeerdeten Geräten.** Unveränderte Stecker und passende Steckdosen verringern das Risiko eines elektrischen Schlages.
- Vermeiden Sie Körperkontakt mit geerdeten Oberflächen, wie von Rohren, Heizungen, Herden und Kühlschränken.** Es besteht ein erhöhtes Risiko durch elektrischen Schlag, wenn Ihr Körper geerdet ist.
- Halten Sie das Gerät von Regen oder Nässe fern.** Das Eindringen von Wasser in ein Elektrogerät erhöht das Risiko eines elektrischen Schlages.

- d) **Zweckentfremden Sie das Kabel nicht, um das Gerät zu tragen, aufzuhängen oder um den Stecker aus der Steckdose zu ziehen. Halten Sie das Kabel fern von Hitze, Öl, scharfen Kanten oder sich bewegenden Geräteteilen.** Beschädigte oder verwickelte Kabel erhöhen das Risiko eines elektrischen Schlages.
- e) **Wenn Sie mit einem Elektrowerkzeug im Freien arbeiten, verwenden Sie nur Verlängerungskabel, die auch für den Außenbereich zugelassen sind.** Die Anwendung eines für den Außenbereich geeigneten Verlängerungskabels verringert das Risiko eines elektrischen Schlages.
- f) **Wenn der Betrieb des Elektrowerkzeuges in feuchter Umgebung nicht vermeidbar ist, verwenden Sie einen Fehlerstromschutzschalter.** Der Einsatz eines Fehlerstromschutzschalters vermindert das Risiko eines elektrischen Schlages.

3) SICHERHEIT VON PERSONEN

- a) **Seien Sie aufmerksam, achten Sie darauf, was Sie tun, und gehen Sie mit Vernunft an die Arbeit mit einem Elektrowerkzeug. Benutzen Sie das Gerät nicht, wenn Sie müde sind oder unter dem Einfluss von Drogen, Alkohol oder Medikamenten stehen.** Ein Moment der Unachtsamkeit beim Gebrauch des Gerätes kann zu ernsthaften Verletzungen führen.
- b) **Tragen Sie persönliche Schutzausrüstung und immer eine Schutzbrille.** Das Tragen persönlicher Schutzausrüstung, wie Staubmaske, rutschfeste Sicherheitsschuhe, Schutzhelm oder Gehörschutz, je nach Art und Einsatz des Elektrowerkzeuges, verringert das Risiko von Verletzungen.
- c) **Vermeiden Sie eine unbeabsichtigte Inbetriebnahme. Vergewissern Sie sich, dass das Elektrowerkzeug ausgeschaltet ist, bevor Sie es an die Stromversorgung und/oder den Akku anschließen, es aufnehmen oder tragen.** Wenn Sie beim Tragen des Elektrowerkzeuges den Finger am Schalter haben oder das Gerät eingeschaltet an die Stromversorgung anschließen, kann dies zu Unfällen führen.
- d) **Entfernen Sie Einstellwerkzeuge oder Schraubenschlüssel, bevor Sie das Gerät einschalten.** Ein Werkzeug oder Schlüssel, der sich in einem drehenden Geräteteil befindet, kann zu Verletzungen führen.
- e) **Überschätzen Sie sich nicht. Sorgen Sie für einen sicheren Stand und halten Sie jederzeit das Gleichgewicht.** Dadurch können Sie das Gerät in unerwarteten Situationen besser kontrollieren.
- f) **Tragen Sie geeignete Kleidung. Tragen Sie keine weite Kleidung oder Schmuck. Halten Sie Haare, Kleidung und Handschuhe fern von sich bewegenden Teilen.** Lockere Kleidung, Schmuck oder lange Haare können von sich bewegenden Teilen erfasst werden.
- g) **Wenn Staubabsaug- und -auffangeinrichtungen montiert werden können, vergewissern Sie sich, dass diese angeschlossen sind und richtig verwendet werden.** Verwendung einer Staubabsaugung verringert Gefährdungen durch Staub.

4) SORGFÄLTIGER UMGANG UND GEBRAUCH VON ELEKTROWERKZEUGEN

- a) **Überlasten Sie das Gerät nicht. Verwenden Sie für Ihre Arbeit das dafür bestimmte Elektrowerkzeug.** Mit dem passenden Elektrowerkzeug arbeiten Sie besser und sicherer im angegebenen Leistungsbereich.
- b) **Benutzen Sie kein Elektrowerkzeug, dessen Schalter defekt ist.** Ein Elektrowerkzeug, das sich nicht mehr ein- oder ausschalten lässt, ist gefährlich und muss repariert werden.
- c) **Ziehen Sie den Stecker aus der Steckdose und/oder entfernen Sie den Akku, bevor Sie Geräteeinstellungen vornehmen, Zubehörteile wechseln oder das Gerät weglegen.** Diese Vorsichtsmaßnahme verhindert den unbeabsichtigten Start des Geräts.
- d) **Bewahren Sie unbenutzte Elektrowerkzeuge außerhalb der Reichweite von Kindern auf. Lassen Sie Personen das Gerät nicht benutzen, die mit diesem nicht vertraut sind oder diese Anweisungen nicht gelesen haben.** Elektrowerkzeuge sind gefährlich, wenn Sie von unerfahrenen Personen benutzt werden.
- e) **Pflegen Sie das Gerät mit Sorgfalt. Kontrollieren Sie, ob bewegliche Geräteteile einwandfrei funktionieren und nicht klemmen, ob Teile gebrochen oder so beschädigt sind, dass die Funktion des Gerätes beeinträchtigt ist. Lassen Sie beschädigte Teile vor dem Einsatz des Geräts reparieren.** Viele Unfälle haben ihre Ursache in schlecht gewarteten Elektrowerkzeugen.
- f) **Halten Sie Schneidwerkzeuge scharf und sauber.** Sorgfältig gepflegte Schneidwerkzeuge mit scharfen Schneidkanten verklemmen sich weniger und sind leichter zu führen.
- g) **Verwenden Sie Elektrowerkzeug, Zubehör, Einsatzwerkzeuge usw. entsprechend diesen Anweisungen. Berücksichtigen Sie dabei die Arbeitsbedingungen und die auszuführende Tätigkeit.** Der Gebrauch von Elektrowerkzeugen für andere als die vorgesehenen Anwendungen kann zu gefährlichen Situationen führen.

5) SORGFÄLTIGER UMGANG UND GEBRAUCH VON AKKUGERÄTEN

- a) **Laden Sie die Akkus nur in Ladegeräten auf, die vom Hersteller empfohlen werden.** Für ein Ladegerät, das für eine bestimmte Art von Akkus geeignet ist, besteht Brandgefahr, wenn es mit anderen Akkus verwendet wird.
- b) **Verwenden Sie nur die dafür vorgesehenen Akkus in den Elektrowerkzeugen.** Der Gebrauch von anderen Akkus kann zu Verletzungen und Brandgefahr führen.
- c) **Halten Sie den nicht benutzten Akku fern von Büroklammern, Münzen, Schlüsseln, Nägeln, Schrauben oder anderen kleinen Metallgegenständen, die eine Überbrückung der Kontakte verursachen könnten.** Ein Kurzschluss zwischen den Akkukontakten kann Verbrennungen oder Feuer zur Folge haben.
- d) **Bei falscher Anwendung kann Flüssigkeit aus dem Akku austreten. Vermeiden Sie den Kontakt damit. Bei zufälligem Kontakt mit Wasser abspülen. Wenn die Flüssigkeit in die Augen kommt, nehmen Sie**

zusätzlich ärztliche Hilfe in Anspruch. Austretende Akkuflüssigkeit kann zu Hautreizungen oder Verbrennungen führen.

6) SERVICE

- a) **Lassen Sie Ihr Gerät nur von qualifiziertem Fachpersonal und nur mit Original-Ersatzteilen reparieren.** Damit wird sichergestellt, dass die Sicherheit des Geräts erhalten bleibt.

SICHERHEITSHINWEISE FÜR AKKU-BOHRSCHRAUBER

- Beschädigungen durch Schrauben, Nägel und ähnliches an Ihrem Werkstück vermeiden; diese vor Arbeitsbeginn entfernen
- Stets nachprüfen, daß die Netzspannung mit der auf dem Typenschild des Ladegeräts angegebenen Spannung übereinstimmt
- Im Falle von atypischem Verhalten oder Fremdgeräuschen schalten Sie das Werkzeug sofort aus oder ziehen Sie den Netzstecker des Ladegeräts aus der Steckdose
- SKIL kann nur dann die einwandfreie Funktion des Werkzeuges zusichern, wenn Original-Zubehör verwendet wird
- Nur Zubehör verwenden, dessen zulässige Drehzahl mindestens so hoch ist wie die höchste Leerlaufdrehzahl des Werkzeuges
- Das Werkzeug/Ladegerät ist nicht dafür bestimmt durch Personen (einschließlich Kinder) mit eingeschränkten physischen, sensorischen oder geistigen Fähigkeiten, oder mangelnder Erfahrung und Wissen, benutzt zu werden; es sei denn, sie werden durch eine für ihre Sicherheit zuständige Person beaufsichtigt oder erhielten von ihr Anweisungen, wie das Werkzeug/Ladegerät zu benutzen ist
- Stellen Sie sicher, dass Kinder nicht mit dem Werkzeug/Ladegerät spielen
- **Sichern Sie das Werkstück** (ein mit Spannvorrichtungen oder Schraubstock festgehaltenes Werkstück ist sicherer gehalten als mit der Hand)
- **Halten Sie das Elektrowerkzeug an den isolierten Griffflächen, wenn Sie Arbeiten ausführen, bei denen das Einsatzwerkzeug oder die Schraube verborgene Stromleitungen oder das eigene Netzkabel treffen kann** (der Kontakt mit einer spannungsführenden Leitung kann auch Metallteile des Elektrowerkzeuges unter Spannung setzen und zu einem elektrischen Schlag führen)
- **Verwenden Sie geeignete Suchgeräte, um verborgene Versorgungsleitungen aufzuspüren, oder ziehen Sie die örtliche Versorgungsgesellschaft hinzu** (Kontakt mit Elektroleitungen kann zu Feuer und elektrischem Schlag führen; Beschädigung einer Gasleitung kann zur Explosion führen; Eindringen in eine Wasserleitung verursacht Sachbeschädigung oder kann einen elektrischen Schlag verursachen)
- **Bearbeiten Sie kein asbesthaltiges Material** (Asbest gilt als krebserregend)
- Staub von Materialien wie Farbe, die Blei enthält, einigen Holzarten, Mineralien und Metall kann schädlich sein (Kontakt mit oder Einatmen des Staubs kann zu

allergischen Reaktionen und/oder Atemwegskrankheiten beim Bediener oder Umstehenden führen); **tragen Sie eine Staubmaske und arbeiten Sie mit einem Staubabsaugungssystem, wenn ein solches angeschlossen werden kann**

- Bestimmte Arten von Staub sind als karzinogen klassifiziert (beispielsweise Eichen- und Buchenholzstaub), insbesondere in Verbindung mit Zusätzen für die Holzvorbehandlung; **tragen Sie eine Staubmaske und arbeiten Sie mit einem Staubabsaugungssystem, wenn ein solches angeschlossen werden kann**
- Beachten Sie die für Ihr verwendetes Verbrauchsmaterial gültigen nationalen Staubschutzvorgaben
- Stellen Sie sicher dass Schalter B ② sich in der mittel- (Schluss-) Position befindet, bevor Sie Werkzeug-einstellungen vornehmen oder Zubehör wechseln, sowie beim Tragen oder Weglegen des Werkzeuges

AUFLADEN/BATTERIEN

- Laden Sie die Batterie ausschließlich durch das mitgelieferte Ladegerät auf
- Die Kontakte im Ladegerät nicht berühren
- Setzen Sie das Werkzeug/Ladegerät/Batterie niemals dem Regen aus
- Bewahren Sie das Werkzeug/Ladegerät/Batterie stets bei Raumtemperaturen unter 40°C und über 0° auf
- Die Batterie nicht in einer feuchten oder nassen Umgebung aufladen
- Batterien werden bei Kontakt mit Feuer explodieren, die Batterien daher niemals verbrennen
- Beschädigte Ladegeräte nicht in Betrieb nehmen; bringen Sie das Gerät zwecks Überprüfung stets zu einer unserer offiziellen SKIL-Vertragswerkstätten
- Ladegerät nicht weiter verwenden, wenn Kabel oder Stecker beschädigt sind, sondern Kabel oder Netzstecker sofort ersetzen bei einer unserer offiziellen SKIL-Vertragswerkstätten
- Beschädigte Batterien nicht weiter verwenden, sondern sofort ersetzen
- Zerlegen Sie niemals das Ladegerät oder die Batterie
- Nicht versuchen, nicht-aufladbare Batterien mit dem Ladegerät zu laden

ERKLÄRUNG DER SYMBOLE AUF DEM LADEGERÄT/ DER BATTERIE

- ③ Die Bedienungsanleitung vor dem Gebrauch lesen
- ④ Das Ladegerät nur in Innenräumen benutzen
- ⑤ Doppelte Isolierung (kein Erdleiter erforderlich)
- ⑥ Eine falsche Polung beim Ladegerätanschluss kann eine Gefährdung verursachen (die Batterie nur mit dem mitgelieferten Ladegerät aufladen)
- ⑦ Automatische Abschaltung, wenn das Ladegerät zu heiß wird (thermischer Kurzschluss und das Ladegerät wird unbrauchbar)
- ⑧ Das Ladegerät nicht in den Hausmüll werfen
- ⑨ Die Batterie nicht in den Hausmüll werfen

BEDIENUNG

- Aufladen der Batterie ⑩
 - neue Werkzeuge sind nicht aufgeladen
 - Ladegerät wie dargestellt an die Netzspannung anschließen

- die Batterie in das Ladegerät einführen
- die rote Lampe H leuchtet auf und zeigt an, dass die Batterie geladen wird
- die rote Lampe H leuchtet dann, wenn die Batterie mit dem Ladegerät verbunden und das Ladegerät an die Steckdose angeschlossen ist

! die Batterie sollte nach Beendigung des Ladevorganges vom Ladegerät genommen werden, womit sich die Lebensdauer der Batterie verlängert

WICHTIG:

- nach 3 Stunden Ladezeit ist der Ladevorgang beendet und kann die Batterie benutzt werden
 - beim Aufladen könnten Ladegerät und Batterie warm werden; dies ist normal und kein Anzeichen eines Problems
 - achten Sie darauf, daß die Batterie-Außenfläche sauber und trocken ist, bevor Sie die Batterie in das Ladegerät einsetzen
 - bei Temperaturen unter 0°C und über 45°C eine Ladung vermeiden; dadurch können Ladegerät und Batterie empfindlich geschädigt werden
 - die Batterie darf nicht während des Betriebs des Werkzeuges abgenommen werden
- ! eine neue oder längere Zeit nicht verwendete Batterie bringt erst nach ungefähr 5 Lade-/Entladezyklen seine volle Leistung**
- die Batterie sollte nicht nach jeder kurzen Benutzung des Werkzeuges immer wieder geladen werden, da dies den Verschleiß erhöhen kann
 - wenn Sie Ihr Werkzeug lange nicht verwenden, sollten Sie den Netzstecker des Ladegeräts aus der Steckdose ziehen
- Ein-/Aus-Schalten ⑪
 - Drehzahlregulierung für Sanftanlauf ⑫
 - Umschalten der Drehrichtung ⑬
 - wenn die links/rechts Position nicht richtig einrastet, kann der Schalter A ② nicht betätigt werden
- ! Drehrichtung nur dann umschalten, wenn das Werkzeug vollkommen stillsteht**
- Wechseln von Bits ⑭
 - das Bit so tief wie möglich in das Bohrfutter einführen
- ! keine Bits mit beschädigtem Schaft benutzen**
- Drehmoment-Kontrolle (VariTorque) ⑮
 - das Drehmoment wird erhöht indem man Kupplungsring D von 1 auf 5 dreht; in der Position E wird die Kupplung gesperrt um schwere Bohr- und Schraubarbeiten auszuführen
 - beim Eindrehen einer Schraube beginnen Sie zunächst mit der VariTorque Position 1 und erhöhen dann langsam, bis die gewünschte Tiefe erreicht ist
 - Halten und Führen des Werkzeuges ⑯
 - ! Werkzeug beim Arbeiten immer am grauen Griffbereich fassen**
 - Lüftungsschlitze F ② unbedeckt halten
 - nicht zu viel Druck auf das Werkzeug ausüben; lassen Sie das Werkzeug für Sie arbeiten

ANWENDUNGSHINWEISE

- Die entsprechenden Bits verwenden ⑰
- ! nur scharfe Bits verwenden**

- Beim Bohren in Metall
 - kleines Loch vorbohren wenn ein größeres Loch benötigt ist
 - Bits gelegentlich mit Öl einfeiten
- Beim Eindrehen einer Schraube am Ende oder Kopfstück eines Holzes sollte ein Loch vorgebohrt werden um ein Spalten des Holzes zu vermeiden
- Für einen optimalen Gebrauch des Werkzeuges ist ein ständiger Druck auf die Schraube notwendig, besonders während des Ausschraubens
- Beim Eindrehen einer Schraube in Hartholz sollte ein Loch vorgebohrt werden
- Splitterfreies Bohren in Holz ⑱
- Stauffreies Bohren in Mauern ⑲
- Stauffreies Bohren in Decken ⑳
- Bohren in Fliesen ohne auszurutschen ㉑
- Für mehr Tips siehe www.skil.com

WARTUNG / SERVICE

- Dieses Werkzeug eignet sich nicht für den professionellen Einsatz
 - Halten Sie Ihr Werkzeug und Ladegerät sauber
 - säubern Sie die Kontakte des Ladegeräts entweder mit Alkohol oder Kontaktreiniger
- ! den Netzstecker des Ladegeräts aus der Steckdose ziehen, bevor Sie das Ladegerät säubern**
- Sollte das Elektrowerkzeug/Ladegerät trotz sorgfältiger Herstellungs- und Prüfverfahren einmal ausfallen, ist die Reparatur von einer autorisierten Kundendienststelle für SKIL-Elektrowerkzeuge ausführen zu lassen
 - das Werkzeug oder Ladegerät **unzerlegt**, zusammen mit dem Kaufbeleg, an den Lieferer oder die nächste SKIL-Vertragswerkstätte senden (die Anschriftenlisten so wie die Ersatzteilzeichnung des Werkzeuges finden Sie unter www.skil.com)
 - wenn das Ladegerät defekt ist **sowohl das Ladegerät als auch die Batterie** an den Lieferer oder eine SKIL-Vertragswerkstätte senden

UMWELT

- **Elektrowerkzeuge, Zubehör und Verpackungen nicht in den Hausmüll werfen** (nur für EU-Länder)
 - gemäss Europäischer Richtlinie 2012/19/EG über Elektro- und Elektronik- Altgeräte und Umsetzung in nationales Recht müssen nicht mehr gebrauchsfähige Elektrowerkzeuge getrennt gesammelt und einer umweltgerechten Wiederverwertung zugeführt werden
 - hieran soll Sie Symbol ⑧ erinnern
 - Die Batterie muß ordnungsgemäß entsorgt werden und darf nicht in den Hausmüll gelangen (hieran soll Sie Symbol ⑨ erinnern)
- ! bevor Sie die Batterie entsorgen, schützen Sie die Batterieenden mit einem schweren Band, um so Kriechströme zu vermeiden**

KONFORMITÄTSERKLÄRUNG CE

Akku-Bohrschrauber 2395

Technische Daten ①

- Wir erklären in alleiniger Verantwortung, daß das unter "Technische Daten" beschriebene Produkt mit den folgenden Normen oder normativen Dokumenten übereinstimmt: EN 60745 (Gerät), EN 60335 (Ladegerät), EN 61000, EN 55014, gemäß den Bestimmungen der Richtlinien 2006/42/EG, 2014/35/EU, 2014/30/EU, 2011/65/EU
- **Technische Unterlagen bei:** SKIL Europe BV (PT-SEU/ENG1), 4825 BD Breda, NL

Marijn van der Hoofden
Operations & Engineering

Olaf Dijkgraaf
Approval Manager

SKIL Europe BV, 4825 BD Breda, NL

21.10.2014

GERÄUSCH/VIBRATION

- Gemessen gemäß EN 60745 beträgt der Schalldruckpegel dieses Gerätes <70 dB(A) (Standardabweichung: 3 dB) und die Vibration * m/s² (Hand-Arm Methode; Unsicherheit K = 1,5 m/s²)
 - * beim Bohren in Metall <2,5 m/s²
 - * beim Schrauben <2,5 m/s²
 - Die Vibrationsemissionsstufe wurde mit einem standardisierten Test gemäß EN 60745 gemessen; Sie kann verwendet werden, um ein Werkzeug mit einem anderen zu vergleichen und als vorläufige Beurteilung der Vibrationsexposition bei Verwendung des Werkzeugs für die angegebenen Anwendungszwecke
 - die Verwendung des Werkzeugs für andere Anwendungen oder mit anderem oder schlecht gewartetem Zubehör kann die Expositionsstufe erheblich **erhöhen**
 - Zeiten, zu denen das Werkzeug ausgeschaltet ist, oder wenn es läuft aber eigentlich nicht eingesetzt wird, können die Expositionsstufe erheblich **verringern**
- ! schützen Sie sich vor den Auswirkungen der Vibration durch Wartung des Werkzeugs und des Zubehörs, halten Sie Ihre Hände warm und organisieren Sie Ihren Arbeitsablauf**

NL

Opladbare boor-/schroefmachine

2395

INTRODUCTIE

- Deze machine is bestemd voor het boren in hout, metaal, metselwerk, steen, keramiek en kunststof; machines met elektronische toerentalregeling en rechts-/linksdraaien zijn ook geschikt voor het in- en uitdraaien van schroeven en het snijden van schroefdraad

- Deze machine is niet bedoeld voor professioneel gebruik
- Lees en bewaar deze gebruiksaanwijzing ③

TECHNISCHE GEGEVENS ①

Max. draaimoment bij harde schroefverbinding volgens ISO 5393 : 26 Nm

MACHINE-ELEMENTEN ②

- A Schakelaar voor aan/uit en toerentalregeling
- B Knop voor omschakelen van draairichting
- C Zelfspannende boorkop
- D Ring voor instellen van koppel
- E Blokkeerpositie (koppeling)
- F Ventilatie-openingen
- G Oplader
- H Rood oplaad-lampje

VEILIGHEID

ALGEMENE VEILIGHEIDSVORSCHRIFTEN

⚠ LET OP! Lees alle veiligheidswaarschuwingen en alle voorschriften. Als de waarschuwingen en voorschriften niet worden opgevolgd, kan dit een elektrische schok, brand of ernstig letsel tot gevolg hebben. **Bewaar alle waarschuwingen en voorschriften voor toekomstig gebruik.** Het in de waarschuwingen gebruikte begrip "elektrisch gereedschap" heeft betrekking op elektrische gereedschappen voor gebruik op het stroomnet (met netsnoer) en op elektrische gereedschappen voor gebruik met een accu (zonder netsnoer).

1) VEILIGHEID VAN DE WERKOMGEVING

- a) **Houd uw werkomgeving schoon en opgeruimd.** Een rommelige of onverlichte werkomgeving kan tot ongevallen leiden.
- b) **Werk met het gereedschap niet in een omgeving met explosiegevaar waarin zich brandbare vloeistoffen, gassen of stof bevinden.** Elektrische gereedschappen veroorzaken vonken die het stof of de dampen tot ontsteking kunnen brengen.
- c) **Houd kinderen en andere personen tijdens het gebruik van het elektrische gereedschap uit de buurt.** Wanneer u wordt afgeleid, kunt u de controle over het gereedschap verliezen.

2) ELEKTRISCHE VEILIGHEID

- a) **De aansluitstekker van het gereedschap moet in het stopcontact passen. De stekker mag in geen geval worden veranderd. Gebruik geen adapterstekkers in combinatie met geaarde gereedschappen.** Onveranderde stekkers en passende stopcontacten beperken het risico van een elektrische schok.
- b) **Voorkom aanraking van het lichaam met geaarde oppervlakken, bijvoorbeeld van buizen, verwarmingen, fornuizen en koelkasten.** Er bestaat een verhoogd risico door een elektrische schok wanneer uw lichaam geaard is.
- c) **Houd het gereedschap uit de buurt van regen en vocht.** Het binnendringen van water in het elektrische

gereedschap vergroot het risico van een elektrische schok.

- d) **Gebruik de kabel niet voor een verkeerd doel, om het gereedschap te dragen of op te hangen of om de stekker uit het stopcontact te trekken. Houd de kabel uit de buurt van hitte, olie, scherpe randen en bewegende gereedschapsdelen.** Beschadigde of in de war geraakte kabels vergroten het risico van een elektrische schok.
- e) **Wanneer u buitenshuis met elektrisch gereedschap werkt, dient u alleen verlengkabels te gebruiken die voor gebruik buitenshuis zijn goedgekeurd.** Het gebruik van een voor gebruik buitenshuis geschikte verlengkabel beperkt het risico van een elektrische schok.
- f) **Als het gebruik van het elektrische gereedschap in een vochtige omgeving onvermijdelijk is, dient u een aardlekschakelaar te gebruiken.** Het gebruik van een aardlekschakelaar vermindert het risico van een elektrische schok.

3) VEILIGHEID VAN PERSONEN

- a) **Wees alert, let goed op wat u doet en ga met verstand te werk bij het gebruik van het elektrische gereedschap. Gebruik het gereedschap niet wanneer u moe bent of onder invloed staat van drugs, alcohol of medicijnen.** Een moment van onoplettendheid bij het gebruik van het gereedschap kan tot ernstige verwondingen leiden.
- b) **Draag persoonlijke beschermende uitrusting en altijd een veiligheidsbril.** Het dragen van persoonlijke beschermende uitrusting zoals een stofmasker, slipvaste werkschoenen, een veiligheidshelm of gehoorbescherming, afhankelijk van de aard en het gebruik van het elektrische gereedschap, vermindert het risico van verwondingen.
- c) **Vorkom per ongeluk inschakelen. Controleer dat het elektrische gereedschap uitgeschakeld is voordat u de stekker in het stopcontact steekt of de accu aansluit en voordat u het gereedschap oppakt of draagt.** Wanneer u bij het dragen van het elektrische gereedschap uw vinger aan de schakelaar hebt of wanneer u het gereedschap ingeschakeld op de stroomvoorziening aansluit, kan dit tot ongevallen leiden.
- d) **Verwijder instelgereedschappen of schroefsleutels voordat u het gereedschap inschakelt.** Een instelgereedschap of sleutel in een draaiend deel van het gereedschap kan tot verwondingen leiden.
- e) **Probeer niet ver te reiken. Zorg ervoor dat u stevig staat en steeds in evenwicht blijft.** Daardoor kunt u het gereedschap in onverwachte situaties beter onder controle houden.
- f) **Draag geschikte kleding. Draag geen loshangende kleding of sieraden. Houd haren, kleding en handschoenen uit de buurt van bewegende delen.** Loshangende kleding, sieraden en lange haren kunnen door bewegende delen worden meegenomen.
- g) **Wanneer stofafzuigings- of stofopvangvoorzieningen kunnen worden gemonteerd, dient u zich ervan te verzekeren dat deze zijn aangesloten en juist worden gebruikt.** Het gebruik van een stofafzuiging beperkt het gevaar door stof.

4) GEBRUIK EN ONDERHOUD VAN ELEKTRISCHE GEREEDSCHAPPEN

- a) **Overbelast het gereedschap niet. Gebruik voor uw werkzaamheden het daarvoor bestemde elektrische gereedschap.** Met het passende elektrische gereedschap werkt u beter en veiliger binnen het aangegeven capaciteitsbereik.
 - b) **Gebruik geen elektrisch gereedschap waarvan de schakelaar defect is.** Elektrisch gereedschap dat niet meer kan worden in- of uitgeschakeld, is gevaarlijk en moet worden gerepareerd.
 - c) **Trek de stekker uit het stopcontact of neem de accu uit het elektrische gereedschap voordat u het gereedschap instelt, toebehoren wisselt of het gereedschap weglegt.** Deze voorzorgsmaatregel voorkomt onbedoeld starten van het gereedschap.
 - d) **Bewaar niet-gebruikte elektrische gereedschappen buiten bereik van kinderen. Laat het gereedschap niet gebruiken door personen die er niet mee vertrouwd zijn en deze aanwijzingen niet hebben gelezen.** Elektrische gereedschappen zijn gevaarlijk wanneer deze door onervaren personen worden gebruikt.
 - e) **Verzorg het gereedschap zorgvuldig. Controleer of bewegende delen van het gereedschap correct functioneren en niet vastklemmen en of onderdelen zodanig gebroken of beschadigd zijn dat de werking van het gereedschap nadelig wordt beïnvloed. Laat beschadigde delen repareren voordat u het gereedschap gebruikt.** Veel ongevallen hebben hun oorzaak in slecht onderhouden elektrische gereedschappen.
 - f) **Houd snijdende inzetgereedschappen scherp en schoon.** Zorgvuldig onderhouden snijdende inzetgereedschappen met scherpe snijkanten klemmen minder snel vast en zijn gemakkelijker te geleiden.
 - g) **Gebruik elektrische gereedschappen, toebehoren, inzetgereedschappen en dergelijke volgens deze aanwijzingen. Let daarbij op de arbeidsomstandigheden en de uit te voeren werkzaamheden.** Het gebruik van elektrische gereedschappen voor andere dan de voorziene toepassingen kan tot gevaarlijke situaties leiden.
- ### 5) GEBRUIK EN ONDERHOUD VAN ACCUGEREEDSCHAPPEN
- a) **Laad accu's alleen op in opladers die door de fabrikant worden geadviseerd.** Voor een oplader die voor een bepaald type accu geschikt is, bestaat brandgevaar wanneer deze met andere accu's wordt gebruikt.
 - b) **Gebruik alleen de daarvoor bedoelde accu's in de elektrische gereedschappen.** Het gebruik van andere accu's kan tot verwondingen en brandgevaar leiden.
 - c) **Vorkom aanraking van de niet-gebruikte accu met paperclips, munten, sleutels, spijkers, schroeven en andere kleine metalen voorwerpen die overbrugging van de contacten kunnen veroorzaken.** Kortsluiting tussen de accucontacten kan brandwonden of brand tot gevolg hebben.
 - d) **Bij verkeerd gebruik kan vloeistof uit de accu lekken. Voorkom contact. Spoel bij onvoorziene contact met water af. Wanneer de vloeistof in de ogen komt, dient u bovendien een arts te**

raadplegen. Gelekte accuvloeistof kan tot huidirritaties en verbrandingen leiden.

6) SERVICE

- a) **Laat het gereedschap alleen repareren door gekwalificeerd en vakkundig personeel en alleen met originele vervangingsonderdelen.** Daarmee wordt gewaarborgd dat de veiligheid van het gereedschap in stand blijft.

VEILIGHEIDSVOORSCHRIFTEN VOOR OPLAADBARE BOOR-/SCHROEFMACHINES

- Voorkom schade, die kan ontstaan door schroeven, spijkers en andere voorwerpen in uw werkstuk; verwijder deze, voordat u aan een karwei begint
- Controleer altijd of het voltage, dat vermeld staat op het typeplaatje van de oplader, overeenkomt met de netspanning
- In geval van elektrische of mechanische storing, de machine onmiddellijk uitschakelen of de oplader uit het stopcontact halen
- SKIL kan alleen een correcte werking van de machine garanderen, indien originele accessoires worden gebruikt
- Gebruik alleen accessoires met een toegestaan toerental, dat minstens even hoog is als het hoogste onbelaste toerental van de machine
- De machine/oplader is niet bedoeld voor gebruik door personen (waaronder begrepen kinderen) met fysieke, zintuiglijke of mentale beperkingen, of een gebrek aan ervaring en kennis, tenzij zij onder toezicht staan of instructies hebben ontvangen ten aanzien van het gebruik van de machine/oplader door een persoon, die verantwoordelijk is voor hun veiligheid
- Zorg ervoor dat kinderen de machine/oplader niet als speelgoed gebruiken
- **Zet het werkstuk vast** (een werkstuk, dat is vastgezet met klemmen of in een bankschroef, zit steviger vast dan wanneer het met de hand wordt vastgehouden)
- **Houd het elektrische gereedschap aan de geïsoleerde greepvlakken vast als u werkzaamheden uitvoert waarbij het inzetgereedschap of de schroef verborgen stroomleidingen of de eigen stroomkabel kan raken** (contact met een onder spanning staande leiding kan ook metalen delen van het elektrische gereedschap onder spanning zetten en tot een elektrische schok leiden)
- **Gebruik een geschikt detectieapparaat om verborgen stroom-, gas- of waterleidingen op te sporen of raadpleeg het plaatselijke energie- of waterleidingbedrijf** (contact met elektrische leidingen kan tot brand of een elektrische schok leiden; beschadiging van een gasleiding kan tot een explosie leiden; breuk van een waterleiding veroorzaakt materiële schade en kan tot een elektrische schok leiden)
- **Bewerk geen asbesthoudend materiaal** (asbest geldt als kankerverwekkend)
- Stof van materiaal zoals loodhoudende verf, sommige houtsoorten, mineralen en metaal kunnen schadelijk zijn (contact met of inademing van de stof kan allergische reacties en/of ademhalingsziekten bij gebruiker of omstanders veroorzaken); **draag een stofmasker en werk met een stofopvang-voorziening als die kan worden aangesloten**

- Bepaalde soorten stof zijn geclassificeerd als kankerverwekkend (zoals stof van eiken en beuken), met name in combinatie met toevoegingsmiddelen voor houtverzorging; **draag een stofmasker en werk met een stofopvang-voorziening als die kan worden aangesloten**
- Neem voor de door u te bewerken materialen de nationale voorschriften aangaande stofopvang in acht
- Zorg ervoor, dat knop B ② in de midden- (blokkeer-) positie staat, vóórdat u de machine instelt of accessoires verwisselt, en ook wanneer u de machine draagt of opbergt

OPLADEN/BATTERIJEN

- Laad de batterij alleen met de bijgeleverde oplader op
- Raak de contacten in de oplader niet aan
- Stel machine/oplader/batterij niet bloot aan regen
- Bewaar de machine/oplader/batterij op een plaats, waar de temperatuur niet hoger dan 40°C kan worden of onder 0°C kan zakken
- Laad de batterij niet op in een vochtige of natte omgeving
- Accu's exploderen als zij in vuur worden gegooid, dus verbrand de accu in geen geval
- Gebruik de oplader niet wanneer deze beschadigd is; breng deze naar één van de officieel aangestelde SKIL Service Stations voor een veiligheidscheck
- Gebruik de oplader niet, wanneer snoer of stekker beschadigd is; laat snoer of stekker onmiddellijk bij één van de officieel aangestelde SKIL Service Stations vervangen
- Gebruik de batterij niet, wanneer deze beschadigd is; vervang deze onmiddellijk
- Haal de oplader of de batterij niet uit elkaar
- Niet proberen om niet-oplaadbare batterijen met de oplader te laden

UITLEG VAN SYMBOLEN OP OPLAADAPPARAAT/ BATTERIJ

- ③ Lees de gebruiksaanwijzing vóór gebruik
- ④ Gebruik de oplader alleen binnenshuis
- ⑤ Dubbele isolatie (geen aarddraad nodig)
- ⑥ Aansluiting van de oplader met een onjuiste polariteit kan gevaarlijk zijn (laad de accu uitsluitend op met de geleverde oplader)
- ⑦ Automatische uitschakeling wanneer de oplader te heet wordt (thermische zekering slaat door en de oplader wordt onbruikbaar)
- ⑧ Geef de oplader niet met het huisvuil mee
- ⑨ Geef de batterij niet met het huisvuil mee

GEBRUIK

- Opladen batterij ⑩
 - batterij van nieuwe machines is niet volledig opgeladen
 - sluit de oplader zoals afgebeeld op het stroomnet aan
 - steek de batterij in de oplader
 - het rode lampje H licht op om aan te geven, dat de batterij wordt opgeladen
 - het rode lampje H blijft branden zolang de batterij is aangesloten op de oplader en de oplader is aangesloten op het stopcontact
- ! **haal de batterij na het opladen uit de oplader; de batterij gaat dan langer mee**

BELANGRIJK:

- na 3 uur is het laden voltooid en kan de batterij gebruikt worden
 - tijdens het laden kunnen de oplader en de batterij warm aanvoelen; dit is normaal en geen indicatie voor een probleem
 - zorg ervoor, dat de buitenkant van de batterij schoon en droog is, voordat u deze in de oplader steekt
 - laad de batterij niet op als de temperatuur lager is dan 0°C of hoger dan 45°C, omdat dit ernstige beschadiging van zowel de batterij als de oplader tot gevolg kan hebben
 - haal de batterij niet uit de machine, wanneer deze in gebruik is
- ! een nieuwe of lang niet gebruikte batterij levert pas na ongeveer 5 oplaad-/ontlaadcycli zijn volledige capaciteit**
- laad de batterij niet herhaaldelijk, na enkele minuten gebruik, op; dit kan krachtverlies van de batterij tot gevolg hebben
 - als u denkt uw machine gedurende lange tijd niet te gebruiken, kunt u het best de oplader uit het stopcontact halen

- Aan/uit (11)
- Toerentalregeling voor langzaam starten (12)
- Omschakelen van draairichting (13)
 - als de omkeerschakelaar niet in de uiterste stand op links/rechts staat, kan schakelaar A (2) niet ingedrukt worden
- ! schakel de draairichting alleen om als de machine volledig stilstaat**
- Verwisselen van bits (14)
 - plaats bit zo diep mogelijk in de boorkop
- ! gebruik geen bits met een beschadigde schacht**
- Instelbaar koppel (VariTorque) (15)
 - het afgegeven koppel zal toenemen als koppelingsring D wordt versteld van positie 1 naar positie 5; in positie E is de koppeling geblokkeerd, hetgeen zware schroef- en boorwerkzaamheden mogelijk maakt
 - voor het indraaien van schroeven met VariTorque positie 1 beginnen en het koppel verhogen, totdat de gewenste diepte is bereikt
- Vasthouden en leiden van de machine (16)
 - ! houd de machine tijdens het werk altijd vast bij het(de) grijs-gekleurde greepvlak(ken)**
 - houd ventilatie-openingen F (2) onbedekt
 - oefen niet te veel druk uit; laat de machine het werk voor u doen

TOEPASSINGSADVIES

- Gebruik de juiste bits (17)
 - ! gebruik uitsluitend scherpe bits**
- Bij het boren van harde metalen
 - een kleiner gat voorboren, wanneer een groot gat nodig is
 - vet de boorpunt af en toe met olie in
- Altijd een gat voorboren bij het schroeven in/vlakbij de kopse- of zijkant van hout
- Voor een optimaal gebruik van uw machine is het nodig stevig op de schroef te drukken, met name bij uitdraaien
- Voor het indraaien van schroeven in hard hout dient een gat voorgeboord te worden

- Splintervrij boren in hout (18)
- Stofvrij boren in muren (19)
- Stofvrij boren in plafonds (20)
- Boren in tegels zonder uitglijden (21)
- Voor meer tips zie www.skil.com

ONDERHOUD / SERVICE

- Deze machine is niet bedoeld voor professioneel gebruik
- Houd machine en oplader schoon
 - maak de laadcontactpunten van de oplader schoon met alcohol of speciaal contactpunten-schoonmaakmiddel
- ! haal de oplader uit het stopcontact voordat u deze schoonmaakt**
- Mocht de machine/oplader ondanks zorgvuldige fabricage- en testmethoden toch defect raken, dient de reparatie te worden uitgevoerd door een erkende klantenservice voor SKIL elektrische gereedschappen
 - stuur de machine of de oplader **ongedemonteerd**, samen met het aankoopbewijs, naar het verkoopadres of het dichtstbijzijnde SKIL service-station (de adressen evenals de onderdeelentekening van de machine vindt u op www.skil.com)
 - als de oplader defect is, **zowel de oplader als de accu** naar het verkoopadres of het SKIL service-station sturen

MILIEU

- **Geef elektrisch gereedschap, accessoires en verpakkingen niet met het huisvuil mee** (alleen voor EU-landen)
 - volgens de Europese richtlijn 2012/19/EG inzake oude elektrische en elektronische apparaten en de toepassing daarvan binnen de nationale wetgeving, dient afgedankt elektrisch gereedschap gescheiden te worden ingezameld en te worden afgevoerd naar een recycle-bedrijf, dat voldoet aan de geldende milieu-eisen
 - symbool (8) zal u in het afdankstadium hieraan herinneren
- De batterij moet uit het milieu gehouden worden en mag daarom niet in het vuilnis terecht komen (symbool (9) zal u in het afdankstadium hieraan herinneren)
- ! bescherm de batterij-contacten met stevig plakband voordat ze afgedankt worden, om kortsluiting te voorkomen**

CONFORMITEITSVERKLARING CE

- **Oplaadbare boor-/schroefmachine 2395 Technische gegevens (1)**
- Wij verklaren als alleen verantwoordelijke, dat het onder "Technische gegevens" beschreven product voldoet aan de volgende normen of normatieve documenten: EN 60745 (machine), EN 60335 (oplader), EN 61000, EN 55014, overeenkomstig de bepalingen van de richtlijnen 2006/42/EG, 2014/35/EU, 2014/30/EU, 2011/65/EU

- **Technisch dossier bij:** SKIL Europe BV (PT-SEU/ENG1), 4825 BD Breda, NL

Marijn van der Hoofden Olaf Dijkgraaf
Operations & Engineering Approval Manager




SKIL Europe BV, 4825 BD Breda, NL

21.10.2014

GELUID/VIBRATIE

- Gemeten volgens EN 60745 bedraagt het geluidsdrukniveau van deze machine <70 dB(A) (standaard deviatie: 3 dB) en de vibratie * m/s² (hand-arm methode; onzekerheid K = 1,5 m/s²)
 - * bij het boren in metaal <2,5 m/s²
 - * bij het schroevendraaien <2,5 m/s²
 - Het trillingsemissieniveau is gemeten in overeenstemming met een gestandaardiseerde test volgens EN 60745; deze mag worden gebruikt om twee machines met elkaar te vergelijken en als voorlopige beoordeling van de blootstelling aan trilling bij gebruik van de machine voor de vermelde toepassingen
 - gebruik van de machine voor andere toepassingen, of met andere of slecht onderhouden accessoires, kan het blootstellingsniveau aanzienlijk **verhogen**
 - wanneer de machine is uitgeschakeld of wanneer deze loopt maar geen werk verricht, kan dit het blootstellingsniveau aanzienlijk **reduceren**
- ! bescherm uzelf tegen de gevolgen van trilling door de machine en de accessoires te onderhouden, uw handen warm te houden en uw werkwijze te organiseren**

S

Sladdlös bormaskin/ skruvdragare

2395

INTRODUKTION

- Maskinen är avsedd för borning i trä, metall, tegel, sten, keramik och plast; maskiner med elektronisk varvtalesreglering och höger-/ vänstergång är även lämpliga för skruvdragning och gångskärning
- Det här verktyget är inte avsedd för yrkesmässig användning
- Läs och spara denna instruktionsbok ③

TEKNISKA DATA ①

Max. vridmoment hårt skruvförband enligt ISO 5393 : 26 Nm

VERKTYGSELEMENT ②

- A Strömbrytare för till/från och varvtalesreglering
- B Omkopplare för reversering av rotationsriktningen
- C Snabbchuck
- D Ring för justering av vridmoment
- E Låst låge (koppling)

- F Ventilationsöppningar
- G Laddare
- H Laddningsindikator (röd)

SÄKERHET

ALLMÄNNA SÄKERHETSINSTRUKTIONER

⚠ OBS! Läs noga igenom alla anvisningar. Fel som uppstår till följd av att anvisningarna nedan inte följts kan orsaka elstöt, brand och/eller allvarliga kroppsskador. **Förvara alla varningar och anvisningar för framtida bruk.** Nedan använt begrepp "elverktyg" hänför sig till nätdrivna elverktyg (med nätsladd) och till batteridrivna elverktyg (sladdlösa).

1) ARBETSPLATSSÄKERHET

- Håll arbetsplatsen ren och välbelyst.** Oordning på arbetsplatsen eller dåligt belyst arbetsområde kan leda till olyckor.
- Använd inte elverktuget i explosionsfarlig omgivning med brännbara vätskor, gaser eller damm.** Elverktuget alstrar gnistor som kan antända dammet eller gaserna.
- Håll under arbetet med elverktuget barn och obehöriga personer på betryggande avstånd.** Om du störs av obehöriga personer kan du förlora kontrollen över elverktuget.

2) ELEKTRISK SÄKERHET

- Elverktugets stickpropp måste passa till vägguttaget. Stickproppen får absolut inte förändras. Använd inte adapterkontakter tillsammans med skyddsjordade elverktyg.** Oförändrade stickproppar och passande vägguttag reducerar risken för elektriskt slag.
- Undvik kroppskontakt med jordade ytor som t. ex. rör, värmelement, spisar och kylskåp.** Det finns en större risk för elektriskt slag om din kropp är jordad.
- Skydda elverktuget mot regn och väta.** Tränger vatten in i ett elverktyg ökar risken för elektriskt slag.
- Missbruka inte nätsladden och använd den inte för att bära eller hänga upp elverktuget och inte heller för att dra stickproppen ur vägguttaget. Håll nätsladden på avstånd från värme, olja, skarpa kanter och rörliga maskindelar.** Skadade eller tilltrasslade ledningar ökar risken för elektriskt slag.
- När du arbetar med ett elverktyg utomhus använd endast förlängningssladdar som är godkända för utomhusbruk.** Om en lämplig förlängningssladd för utomhusbruk används minskar risken för elektriskt slag.
- Använd en jordfelsbrytare om det inte är möjligt att undvika elverktugets användning i fuktig miljö.** Genom att använda en jordfelsbrytare minskas risken för elstöt.

3) PERSONSÄKERHET

- Var uppmärksam, kontrollera vad du gör och använd elverktuget med förnuft. Använd inte elverktuget när du är trött eller om du är påverkad av droger, alkohol eller mediciner.** Under användning av elverktyg kan även en kort uppmärksamhet leda till allvarliga kroppsskador.

- b) **Bär alltid personlig skyddsutrustning och skyddsglasögon.** Användning av personlig skyddsutrustning som t. ex. dammfiltermask, halkfria säkerhetsskor, skyddshjälm och hörselskydd reducerar alltefter elverktygets typ och användning risken för kroppsskada.
- c) **Undvik oavsiktlig igångsättning. Kontrollera att elverktyget är fränkopplat innan du ansluter stickproppen till vägguttaget och/eller ansluter/tar bort batteriet, tar upp eller bär elverktyget.** Om du bär elverktyget med fingret på strömställaren eller ansluter påkopplat elverktyg till nätströmmen kan olycka uppstå.
- d) **Ta bort alla inställningsverktyg och skruvnycklar innan du kopplar på elverktyget.** Ett verktyg eller en nyckel i en roterande komponent kan medföra kroppsskada.
- e) **Överskatta inte din förmåga. Se till att du står stadigt och håller balansen.** I detta fall kan du lättare kontrollera elverktyget i oväntade situationer.
- f) **Bär lämpliga kläder. Bär inte löst hängande kläder eller smycken. Håll håret, kläderna och handskarna på avstånd från rörliga delar.** Löst hängande kläder, smycken och långt hår kan dras in av roterande delar.
- g) **Vid elverktyg med dammutsugnings- och uppsamlingsutrustning kontrollera att anordningarna är rätt monterade och används på korrekt sätt.** Användning av dammutsugning minskar de risker damm orsakar.
- 4) OMSORGSFULL HANTERING OCH ANVÄNDNING AV ELVERKTYG**
- a) **Överbelasta inte elverktyget. Använd för aktuellt arbete avsett elverktyg.** Med ett lämpligt elverktyg kan du arbeta bättre och säkrare inom angivet effektområde.
- b) **Ett elverktyg med defekt strömställare får inte längre användas.** Ett elverktyg som inte kan kopplas in eller ur är farligt och måste repareras.
- c) **Dra stickproppen ur vägguttaget och/eller ta bort batteriet innan inställningar utförs, tillbehörsdelar byts ut eller elverktyget lagras.** Denna skyddsåtgärd förhindrar oavsiktlig inkoppling av elverktyget.
- d) **Förvara elverktygen oåtkomliga för barn. Låt elverktyget inte användas av personer som inte är förtrogna med dess användning eller inte läst denna anvisning.** Elverktygen är farliga om de används av oerfarna personer.
- e) **Sköt elverktyget omsorgsfullt. Kontrollera att rörliga komponenter fungerar felfritt och inte kärvar, att komponenter inte brustit eller skadats; orsaker som kan leda till att elverktygets funktioner påverkas menligt. Låt skadade delar repareras innan elverktyget återanvänds.** Många olyckor orsakas av dåligt skötta elverktyg.
- f) **Håll skärverktygen skarpa och rena.** Omsorgsfullt skötta skärverktyg med skarpa eggar kommer inte så lätt i kläm och går lättare att styra.
- g) **Använd elverktyget, tillbehör, insatsverktyg osv. enligt dessa anvisningar. Ta hänsyn till arbetsvillkoren och arbetsmomenten.** Används elverktyget på icke ändamålsenligt sätt kan farliga situationer uppstå.

5) OMSORGSFULL HANTERING OCH ANVÄNDNING AV SLADDLÖSA ELVERKTYG

- a) **Ladda batterierna endast i de laddare som tillverkaren rekommenderat.** Om en laddare som är avsedd för en viss typ av batterier används för andra batterityper finns risk för brand.
- b) **Använd endast batterier som är avsedda för aktuellt elverktyg.** Används andra batterier finns risk för kroppsskada och brand.
- c) **Håll gem, mynt, nycklar, spikar, skruvar och andra små metallföremål på avstånd från reservbatterier för att undvika en bygling av kontaktorna.** En kortslutning av batteriets kontakter kan leda till brännskador eller brand.
- d) **Låt batteriet används på fel sätt finns risk för att vätska rinner ur batteriet. Undvik kontakt med vätskan. Vid oavsiktlig kontakt spola med vatten. Om vätska kommer i kontakt med ögonen uppsök dessutom läkare.** Batterivätskan kan medföra hudirritation eller brännskada.
- 6) SERVICE**
- a) **Låt elverktyget repareras endast av kvalificerad fackpersonal och med originalreservdelar.** Detta garanterar att elverktygets säkerhet upprätthålls.

SÄKERHETSANVISNINGAR FÖR SLADDLÖS BORRMASKIN/SKRUVDRAGAR

- Undvik skador genom att ta bort skruvar, spikar eller andra föremål ur arbetsstycket; ta dem bort innan du startar ett arbete
- Kontrollera alltid att den tillförda strömtypen stämmer med spänningen som anges på laddarens märkplåt
- I händelse av onormala elektriska eller mekaniska störningar, stäng genast av maskinen eller dra ur laddarens stickpropp från elurtaget
- SKIL kan endast garantera att maskinen fungerar felfritt om originaltillbehör används
- Använd endast tillbehör vilkas tillåtna varvtal åtminstone motsvarar maskinens högsta tomgångsvarvtal
- Maskin/laddare får inte användas av barn eller personer med ett förståndshandikapp eller på annat sätt medsatt förmåga, såvida denna inte sker med överinseende av en vuxen person som ansvarar för personsäkerheten
- Barn får inte använda maskinen/laddaren som leksak
- **Sätt fast arbetsstycket** (ett arbetsstycke fastsatt med skruvtingar eller i ett skruvståd är mera stabilt än om det hålls fast för hand)
- **Håll fast elverktyget vid de isolerade greppytorna när arbeten utförs på ställen där insatstillbehöret eller skruven kan skada dolda elledningar eller egen nätsladd** (kontakt med en spänningsförande ledning kan sätta elverktygets metalldelar under spänning och leda till elstöt)
- **Använd lämpliga detektorer för lokalisering av dolda försörjningsledningar eller konsultera lokalt distributionsföretag** (kontakt med elledningar kan förorsaka brand och elstöt; en skadad gasledning kan leda till explosion; borrhning i vattenledning kan förorsaka saksador eller elstöt)
- **Asbesthaltigt material får inte bearbetas** (asbest anses vara cancerframkallande)

- Viss typ av damm, exempelvis färg som innehåller bly, vissa träsorter, mineraler och metaller kan vara hälsovådliga om de inhaleras (hudkontakt eller inandning kan ge allergisk reaktion och/eller luftvägsproblem/ sjukdom hos personer i närheten); **använd andningsskydd och arbeta med en dammuppsamlare om sådan anslutning finns**
- Vissa typer av damm är klassificerade så som carcinogena (t.ex. ek- och björkdamm) särskilt i kombination med tillsatser för träbehandling; **använd andningsskydd och arbeta med en dammuppsamlare om sådan anslutning finns**
- Följ de nationella krav, som finns angående damm, för de material du skall arbeta med
- Kontrollera att omkopplare B ② är i mellan position (låst läge) innan inställningar utförs eller tillbehör delar byts eller maskinen transporteras eller lagras

LADDNING/BATTERIERNA

- Ladda endast batteriet med den medföljande laddaren
- Rör inte kontakten i laddaren
- Utsätt inte maskinen/laddaren/batteriet för regn
- Förvara maskinen/laddaren/batteriet i lokaler, där temperaturen inte överstiger 40°C eller faller under 0°C
- Ladda inte batteriet i fuktigt eller vått miljö
- Batterierna kan explodera om de utsätts för eld, undanhåll batterierna från heta källor
- Anslut aldrig trasig laddare; lämna dem till en auktoriserad SKIL serviceverkstad för säkerhetskontroll
- Använd ej laddaren när sladd eller stickpropp är trasig; sladd eller stickpropp skall omedelbart bytas ut på någon av SKIL's auktoriserade serviceverkstäder
- Använd aldrig trasig batteriet; de skall omedelbart bytas ut
- Försök ej ta isär laddaren eller batteriet
- Ej återuppladdningsbara batterier får ej uppladdas med laddaren

FÖRKLARING AV SYMBOLERNA PÅ LADDAREN/BATTERIET

- ③ Läs bruksanvisningen före användning
- ④ Använd laddaren enbart inomhus
- ⑤ Dubbel isolering (ingen jordning krävs)
- ⑥ Fel polanslutning av laddarkontakten kan vara farligt (ladda batteriet enbart i originalladdaren)
- ⑦ Automatisk avstängning när laddaren blir för varm (den termiska säkringen går och laddaren blir oanvändbar)
- ⑧ Laddaren får inte kastas i hushållssoporna
- ⑨ Batteriet får inte kastas i hushållssoporna

ANVÄNDNING

- Laddning av batteri ⑩
 - när maskinen leveras är batteriet inte fullt laddat
 - anslut laddaren till ett vägguttag enligt bilden
 - sätt i batteriet i laddaren
 - den röda lampan H tänds för att indikera att batteriet laddas
 - den röda lampan H förblir tänd så länge som laddaren är ansluten till batteriet och vägguttaget
- ! **ta bort batteriet från laddaren, efter laddningstiden förflutit; därmed förlängs livslängden på batteriet**

VIKTIGA:

- efter 3 timmar är laddningen klar och batteriet kan användas
- under laddning kan laddaren och batteriet kännas varmt vid vidröring; detta är normalt och indikerar inget fel
- kontrollera att batteriets utsida är ren och torr innan du placerar det i laddaren
- ladda inte då temperaturen ligger under 0°C och över 45°C eftersom detta allvarligt kan skada batteriet och laddaren
- tag ej bort batteriet från maskinen när den är igång
- ! **en ny eller under en längre tid inte använd batteri uppnår först efter ca. 5 laddnings- / urladdningscykler full kapacitet**
- återuppladda inte batteriet efter endast några få minuters användning; att göra så kan resultera i minskad verkningstid och effektivitet
- om Du räknar med att ej använda Ditt maskin under en lång tid är det bäst att dra ur laddarens stickpropp från elurtaget
- Tillfrån ⑪
- Varvtalsreglering för mjukstart ⑫
- Reversering av rotationsriktningen ⑬
 - om inte vänster/höger är inställt i rätt läge, kan inte strömbrytaren A ② tryckas in
- ! **ändra rotationsriktningen när maskinen är helt stilla**
- Byte av bits ⑭
 - sätt in bitsen så djupt som möjligt i chucken
- ! **använd aldrig bits med trasig axel**
- Justering av vridmoment (VariTorque) ⑮
 - vridmomentet ökas genom att ringen D vrids från 1 till 5; det läget E låser kopplingen för att möjliggöra tyngre borrarings- eller skruvdragningsjobb
 - vid idragning av en skruv, försök först med VariTorque position 1 och öka tills det rätta djupet är nått
- Fattning och styrning av maskinen ⑯
 - ! **under arbetet, håll alltid verktyget i det grå greppet**
 - håll ventilationsöppningarna F ② ej övertäckta
 - lägg inte för mycket tryck på maskinen; låt maskinen göra arbetet åt dig



ANVÄNDNINGSTIPS

- Använd rätt bits ⑰
 - ! **använd endast skarpa bits**
- När du borrar i järnmetaller
 - förborra ett mindre hål då ett större behövs
 - olja in borsten emellanåt
- Vid idragning av en skruv nära kortänden eller på sidan av trämaterialet skall förborring ske för att undvika sprickbildning
- För bästa användning av maskinen är det nödvändigt med ett jämnt tryck på skruven, speciellt vid urdragnig
- Vid skruvning i hårt trä bör man först förborra ett hål
- Splinterfri borrar i trä ⑱
- Dammfri borrar i vägg ⑲
- Dammfri borrar i tak ⑲
- Borrar i kakel utan att slinta ⑲
- För fler tips se www.skil.com

UNDERHÅLL / SERVICE

- Det här verktyget är inte avsedd för yrkesmässig användning
- Håll din maskin och laddaren ren
 - rengör kontaktytorna i laddaren med alkohol eller kontaktrengöringsmedel
- ! **dra ur laddarens stickpropp från elurtaget innan rengöring**
- Om i elverktyget/laddaren trots exakt tillverkning och sträng kontroll störning skulle uppstå, bör reparation utföras av auktoriserad serviceverkstad för SKIL elverktyg
 - sänd in verktyget eller laddaren i **odemonterat skick** tillsammans med inköpsbevis till försäljaren eller till närmaste SKIL serviceverkstad (adresser till servicestationer och sprängskisser av maskiner finns på www.skil.com)
 - om laddaren är defekt sänd in **både laddare och batteri** till försäljaren eller SKIL serviceverkstad

MILJÖ

- **Elektriska verktyg, tillbehör och förpackning får inte kastas i hushållsoporna** (gäller endast EU-länder)
 - enligt direktivet 2012/19/EG som avser äldre elektriska och elektronisk utrustning och dess tillämpning enligt nationell lagstiftning ska uttjänta elektriska verktyg sorteras separat och lämnas till miljövänlig återvinning
 - symbolen  kommer att påminna om detta när det är tid att kassera
- Batteriet måste hållas ifrån vår miljö och får således inte kastas som vanligt hushållsavfall (symbolen  kommer att påminna om detta när batteriet är slut)
- ! **före avyttring av batterierna, tejpa kontaktytorna med kraftig tejp för att undvika kortslutning**

FÖRSÄKRAN OM ÖVERENSSTÄMMELSE CE

Sladdlös bormaskin/skruvdragare 2395

Tekniska data

- Vi försäkrar härmed under exklusivt ansvar att denna produkt som beskrivs i "Tekniska data" överensstämmer med följande normer eller normativa dokument: EN 60745 (maskin), EN 60335 (laddare), EN 61000, EN 55014, enligt bestämmelserna i direktiven 2006/42/EG, 2014/35/EU, 2014/30/EU, 2011/65/EU
- **Teknisk tillverkningsdokumentation finns hos:** SKIL Europe BV (PT-SEU/ENG1), 4825 BD Breda, NL

Marijn van der Hoofden
Operations & Engineering

Olaf Dijkgraaf
Approval Manager

SKIL Europe BV, 4825 BD Breda, NL

21.10.2014


LJUD/VIBRATION

- Ljudtrycksnivån som uppmätts enligt EN 60745 är på denna maskin <70 dB(A) (standard deviation: 3 dB) och vibration * m/s² (hand-arm metod; noggrannhet K = 1,5 m/s²)
 - * vid borrar i metall <2,5 m/s²
 - * vid skruvdragning <2,5 m/s²
- Vibrationsemissionsvärdet har uppmätts enligt ett standardiserat test i enlighet med EN 60745; detta värde kan användas för att jämföra vibrationen hos olika verktyg och som en ungefärlig uppskattning av hur stor vibration användaren utsätts för när verktyget används enligt det avsedda syftet
 - om verktyget används på ett annat än det avsedda syftet eller med fel eller dåligt underhållna tillbehör kan detta drastiskt **öka** vibrationsnivån
 - när verktyget stängs av eller är på men inte används, kan detta avsevärt **minska** vibrationsnivån
- ! **skydda dig mot vibration genom att underhålla verktyget och dess tillbehör, hålla händerna varma och styra upp ditt arbetssätt**

DK

Akkubore-/skruemaskine 2395

INLEDNING

- Værktøjet er beregnet til boring i træ, metal, tegl, sten, keramik og kunststof; værktøj med elektronisk regulering af omdrejningstal og højre-/ venstreløb er også egnet til skruearbejde og gevindskæring
- Dette værktøj er ikke beregnet til professionelt brug
- Læs og gem denne betjeningsvejledning 

TEKNISKE DATA


Max. drejningsmoment hårdt skruearbejde iht. ISO 5393 : 26 Nm

VÆRKTØJETS DELE

- A Afbryder til tænd/sluk og regulering af omdrejningstal
- B Omskifter til ændring af omdrejningsretningen
- C Selvspændende borepatron
- D Ring til justering af drejningsmoment
- E Låseposition (kobling)
- F Ventilationshuller
- G Oplader
- H Rødt indikatorlys til opladning

SIKKERHED

GENERALE SIKKERHEDSINSTRUKSER

 **VIGTIGT! Læs alle advarselshenvisninger og instrukser.** I tilfælde af manglende overholdelse af advarselshenvisningerne og instrukserne er der risiko for elektrisk stød, brand og/eller alvorlige kvæstelser. **Opbevar alle advarselshenvisninger og instrukser til senere brug.** Det i advarselshenvisningerne benyttede begreb "el

værktøj" refererer til netdrevet el værktøj (med netkabel) og akkudrevet el værktøj (uden netkabel).

1) SIKKERHED PÅ ARBEJDSPLADSEN

- a) **Sørg for, at arbejdsområdet er rent og ryddeligt.**
Uorden eller uoplyste arbejdsområder øger faren for uheld.
- b) **Brug ikke maskinen i eksplosionstruede omgivelser, hvor der er brændbare væsker, gasser eller støv.**
El-værktøj kan slå gnister, der kan antænde støv eller dampe.
- c) **Sørg for, at andre personer og ikke mindst børn holdes væk fra arbejdsområdet, når maskinen er i brug.** Hvis man distraheres, kan man miste kontrollen over maskinen.

2) ELEKTRISK SIKKERHED

- a) **Maskinens stik skal passe til kontakten. Stikket må uden ingen omstændigheder ændres. Brug ikke adapterstik sammen med jordforbundne maskiner.**
Uændrede stik, der passer til kontakterne, nedsætter risikoen for elektrisk stød.
- b) **Undgå kropskontakt med jordforbundne overflader som f.eks. rør, radiatorer, komfurer og køleskabe.**
Hvis din krop er jordforbundet, øges risikoen for elektrisk stød.
- c) **Maskinen må ikke udsættes for regn eller fugt.**
Indtrængning af vand i maskinen øger risikoen for elektrisk stød.
- d) **Brug ikke ledningen til formål, den ikke er beregnet til (f.eks. må man aldrig bære maskinen i ledningen, hænge maskinen op i ledningen eller rykke i ledningen for at trække stikket ud af kontakten). Beskyt ledningen mod varme, olie, skarpe kanter eller maskindele, der er i bevægelse.** Beskadigede eller udviklede ledninger øger risikoen for elektrisk stød.
- e) **Hvis maskinen benyttes i det fri, må der kun benyttes en forlængerledning, der er godkendt til udendørs brug.** Brug af forlængerledning til udendørs brug nedsætter risikoen for elektrisk stød.
- f) **Hvis det ikke kan undgås at bruge maskinen i fugtige omgivelser, skal der bruges et HFI-relæ.**
Brug af et HFI-relæ reducerer risikoen for at få elektrisk stød.

3) PERSONLIG SIKKERHED

- a) **Det er vigtigt at være opmærksom, se, hvad man laver, og bruge maskinen fornuftigt. Man bør ikke bruge maskinen, hvis man er træt, har nydt alkohol eller er påvirket af medicin eller euforiserende stoffer.** Få sekundens uopmærksomhed ved brug af maskinen kan føre til alvorlige personskader.
- b) **Brug beskyttelsesudstyr og hav altid beskyttelsesbriller på.** Brug af sikkerhedsudstyr som f.eks. støvmaske, skridsikket fodtøj, beskyttelseshjelm eller høreværn afhængig af maskintype og anvendelse nedsætter risikoen for personskader.
- c) **Undgå utilsigtet igangsætning. Kontrollér, at el værktøjet er slukket, før du tilslutter det til strømtilførslen og/eller akkuen, løfter eller bærer det.** Undgå at bære el værktøjet med fingeren på afbryderen og sørg for, at el værktøjet ikke er tændt, når det slutes til nettet, da dette øger risikoen for personskader.

- d) **Fjern indstillingsværktøj eller skruenøgle, inden maskinen tændes.** Hvis et stykke værktøj eller en nøgle sidder i en roterende maskindel, er der risiko for personskader.
 - e) **Overvurder ikke dig selv. Sørg for at stå sikkert, mens der arbejdes, og kom ikke ud af balance.** Det er derved nemmere at kontrollere maskinen, hvis der skulle opstå uventede situationer.
 - f) **Brug egnet arbejdstøj. Undgå løse beklædningsgenstande eller smykker. Hold hår, tøj og handsker væk fra dele, der bevæger sig.** Dele, der er i bevægelse, kan gribe fat i løstsiddende tøj, smykker eller langt hår.
 - g) **Hvis støvudsugnings- og opsamlingsudstyr kan monteres, er det vigtigt, at dette tilsluttes og benyttes korrekt.** Brug af en støvsugning nedsætter risikoen for personskader som følge af støv.
- ### 4) OMHYGGE LIG OM GANG MED OG BRUG AF EL-VÆRKTØJ
- a) **Undgå overbelastning af maskinen. Brug altid en maskine, der er beregnet til det stykke arbejde, der skal udføres.** Med den rigtige maskine arbejder man bedst og mest sikkert inden for det angivne effektområde.
 - b) **Brug ikke en maskine, hvis afbryder er defekt.** En maskine, der ikke kan startes og stoppes, er farlig og skal repareres.
 - c) **Træk stikket ud af stikkontakten og/eller fjern akkuen, inden maskinen indstilles, der skiftes tilbehørsdele, eller maskinen lægges fra.** Disse sikkerhedsforanstaltninger forhindrer utilsigtet start af maskinen.
 - d) **Opbevar ubenyttet el-værktøj uden for børns rækkevidde. Lad aldrig personer, der ikke er fortrolige med maskinen eller ikke har gennemlæst disse instrukser, benytte maskinen.** El-værktøj er farligt, hvis det benyttes af ukyndige personer.
 - e) **Maskinen bør vedligeholdes omhyggeligt. Kontroller, om bevægelige dele fungerer korrekt og ikke sidder fast, og om delene er brækket eller beskadiget, således at maskinens funktion påvirkes. Få beskadigede dele repareret, inden maskinen tages i brug.** Mange uheld skyldes dårligt vedligeholdte maskiner.
 - f) **Sørg for, at skæreværktøjer er skarpe og rene.** Omhyggeligt vedligeholdte skæreværktøjer med skarpe skærekanten sætter sig ikke så hurtigt fast og er nemmere at føre.
 - g) **Brug el-værktøj, tilhører, indsatsværktøj osv. iht. disse instrukser. Tag hensyn til arbejdsforholdene og det arbejde, der skal udføres.** I tilfælde af anvendelse af værktøjet til formål, som ligger uden for det fastsatte anvendelsesområde, kan der opstå farlige situationer.
- ### 5) OMHYGGE LIG OM GANG MED OG BRUG AF AKKU-MASKINER
- a) **Oplad kun akku'er i ladeaggregater, der er anbefalet af fabrikanten.** Et ladeaggregat, der er egnet til en bestemt type akku'er, må ikke benyttes med andre akku'er - brandfare.
 - b) **Brug kun de akku'er, der er beregnet til el-værktøjet.** Brug af andre akku'er øger risikoen for personskader og er forbundet med brandfare.

- c) **Ikke benyttede akku'er må ikke komme i berøring med kontorclips, mønter, nøgler, søm, skruer eller andre små metalgenstande, da disse kan kortslutte kontakterne.** En kortslutning mellem akku-kontakterne øger risikoen for personskader i form af forbrændinger.
- d) **Hvis akku'en anvendes forkert, kan der slippe væske ud af akku'en. Undgå at komme i kontakt med denne væske. Hvis det alligevel skulle ske, skylles med vand. Søg læge, hvis væsken kommer i øjnene.** Akku-væske kan give hudirritation eller forbrændinger.
- 6) SERVICE**
- a) **Sørg for, at maskinen kun repareres af kvalificerede fagfolk, og at der kun benyttes originale reservedele.** Dermed sikres størst mulig maskinsikkerhed.

SIKKERHEDSINSTRUKSER FOR AKKUBORE-/SKRUEMASKINE

- Undgå skader forårsaget af skruer, søm eller andre materialer i arbejdsstykket; fjern disse før De begynder at arbejde
- Kontrollér altid at forsyningsspændingen er den samme som den spænding, der er anført på opladerens navneskilt
- I tilfælde af elektrisk eller mekanisk fejlfunktion skal værktøjet straks afbrydes eller opladeren fjernes fra stikkontakten
- SKIL kan kun sikre en korrekt funktion af værktøjet, hvis der benyttes originalt tilbehør
- Der må kun benyttes tilbehør, hvis godkendte omdrejningstal er mindst så højt som værktøjets max. omdrejningstal i ubelastet tilstand
- Værktøj/oplader er ikke beregnet til brug for personer (herunder børn), der har nedsatte fysiske, sensoriske eller mentale evner eller mangel på erfaring og viden, med mindre disse personer er blevet givet instruktion og supervision i brugen af værktøjet/opladeren fra en person, som er ansvarlig for deres sikkerhed
- Børn må ikke lege med dette værktøj/oplader
- **Fastgør emnet** (det er sikrere at holde emner i en fastgøringsanordning eller skruestik end med hånden)
- **Hold el-værktøjet i de isolerede gribeblader, når du udfører arbejde, hvor indsatstilbehøret eller skruen kan ramme bøjedede strømledninger eller el-værktøjets eget kabel** (kontakt med en spændingsførende ledning kan også sætte el-værktøjets metaldele under spænding, hvilket kan føre til elektrisk stød)
- **Anvend egnede søgeinstrumenter til at finde frem til skjulte forsyningsledninger eller kontakt det lokale forsyningssselskab** (kontakt med elektriske ledninger kan føre til brand og elektrisk stød; beskadigelse af en gasledning kan føre til eksplosion; brud på et vandrør kan føre til materiel skade eller elektrisk stød)
- **Bearbejd ikke asbestholdigt materiale** (asbest er kræftfremkaldende)
- Støv fra materiale som f.eks. maling, der indeholder bly, nogle træsorter, mineraler og metal kan være skadeligt (kontakt med eller indånding af støvet kan forårsage allergiske reaktioner og/eller sygdomme i luftvejene hos den, der anvender værktøjet, eller hos omkringstående);

bær en støvmaske og arbejd med en støvudsugningsanordning, hvor en sådan kan sluttes til

- Visse slags støv er klassificeret som kræftfremkaldende (som f.eks. støv fra eg og bøg) især i forbindelse med tilsætningsstoffer til træbehandling; **bær en støvmaske og arbejd med en støvudsugningsanordning, hvor en sådan kan sluttes til**
- Følg de nationale krav, hvad angår støv, for de materialer, du ønsker at arbejde med
- Kontroller, at omskifter B ② er i midterste (låst) position inden værktøjet indstilles eller der skiftes tilbehørsdele eller værktøjet bæres eller lægges fra

OPLADNING/BATTERIERNE

- Oplad kun batteriet i den leverede lader
- Berør ikke kontaktpunkterne i opladeren
- Sæt ikke værktøj/opladeren/batteriet ud i regn
- Opbevar værktøj/opladeren/batteriet i et lokale, hvor temperaturen ikke overstiger 40°C eller falder under 0°C
- Oplad ikke batteriet i fugtige eller våde omgivelser
- Batterier vil eksplodere, hvis de kommer i ild, så forsøg aldrig at brænde batteriet
- Brug ikke opladeren hvis den er beskadiget; send den til et sikkerhedscheck hos et autoriseret SKIL service værksted
- Brug ikke opladeren, hvis ledning eller stik er beskadiget; ledning eller stik bør straks udskiftes på et autoriseret SKIL service værksted
- Brug ikke batteriet hvis de er beskadiget; de bør erstattes straks
- Skille ikke opladeren eller batteriet ad
- Forsøg ikke at oplade batterierne, som ikke kan genoplades, med opladeren

FORKLARING TIL SYMBOLERNE PÅ LADER/BATTERI

- ③ Læs instruktionen inden brugen
- ④ Benyt kun laderen indendørs
- ⑤ Dobbelt isolering (jordforbindelse unødvendig)
- ⑥ Forkert polaritet på laderens tilslutning kan medføre fare (lad kun batteriet op med den medfølgende lader)
- ⑦ Automatisk afbrydelse, når laderen bliver for varm (den termiske sikring går, og laderen er ikke mere funktionsdygtig)
- ⑧ Opladeren må ikke bortskaffes som almindeligt affald
- ⑨ Batteriet må ikke bortskaffes som almindeligt affald

BETJENING

- Opladning af batteriet ⑩
 - på nye værktøj er batteriet ikke fuldt opladet
 - forbind opladeren med en stikkontakt som vist på illustrationen
 - sæt batteriet i laderen
 - den røde lampe H tændes for at angive, at batteriet bliver ladet op
 - den røde lampe H forbliver tændt så længe batteriet er tilsluttet opladeren og opladeren er tilsluttet vægstikkontakten
- ! **fjern batteriet fra opladeren efter opladningsperioden er slut, hvilket forøger batteriets levetid**
- VIGTIGT:
 - efter 3 timer vil opladningen være færdig, og batteriet kan anvendes

- under opladning kan opladeren og batteriet blive varme at røre ved; dette er normalt og er ikke et tegn på et problem
- kontroller, at batteriets udvendige overflade er ren og tør, før det sættes i opladeren
- oplad ikke i temperature under 0°C og over 45°C; dette vil i høj grad skade batteriet og opladeren
- fjern ikke batteriet fra værktøjet medens der arbejdes
- ! **en ny batteri eller en batteri, som ikke har været benyttet i længere tid, yder først fuld kapacitet efter ca. 5 opladninger/afladninger**
- oplad ikke batteriet efter få minutters brug; dersom De gør dette, kan resultatet blive en reduktion af arbejdstiden og batteriet kapacitet
- hvis værktøjet i længere tid ikke bliver benyttet, er det bedst at trække opladerens stik ud af stikkontakten
- Tænd/sluk ⑪
- Regulering af omdrejningstal til blød start ⑫
- Ændring af omdrejningsretningen ⑬
 - afbryderen A ② kan ikke aktiveres, hvis retningskifteren ikke er indstillet korrekt
- ! **ændre kun omdrejningsretningen når værktøjet er standset helt**
- Ombytning af bits ⑭
 - indsæt bit så dybt som muligt i borepatronen
 - ! **brug ikke bits med beskadiget skaft**
- Justering af drejningsmoment (VariTorque) ⑮
 - trækkræften vil forøges når indstillingsringen D drejes fra 1 til 5; pos. E vil tillade may trækraft til boring og skruning meget kraftigt arbejde
 - ved iskruning af en skrue, prøv først VariTorque stilling 1 og forøg derefter på skalaen indtil den ønskede dybde er nået
- Håndtering og styring af værktøjet ⑯
 - ! **under arbejde, hold altid om værktøjet på de grå markerede grebsområde(r)**
 - hold ventilationshullerne F ② utildækkede
 - pres ikke for hårdt med værktøjet; lad værktøjet gøre arbejdet for dig

GODE RÅD

- Brug rigtige bits ⑰
 - ! **brug kun skarpe bits**
- Ved boring i metal
 - forbor et mindre hul, når et stort hul skal bores
 - sørg for at smøre boret en gang imellem med olien
- Ved iskruning af en skrue nær endeflader eller i endetræ bør der forbores for at undgå splinter i træet
- For at få optimal glæde af værktøjet er det nødvendig mot ed jævn tryk på skruen, især ved udskruining
- Ved iskruning i hårdt træ anbefales det at forbore
- Splintfri boring i træ ⑱
- Støvfri boring i vægge ⑲
- Støvfri boring i lofter ⑳
- Boring i fliser uden udskridning ㉑
- For flere tips se www.skil.com

VEDLIGEHOLDELSE/SERVICE

- Dette værktøj er ikke beregnet til professionelt brug
- Hold Deres værktøj og oplader ren
 - rens kontakfladerne i opladeren med alkohol eller anden renssevæske

- ! **fjern opladeren fra stikkontakten for rensning**
- Skulle el værktøjet/opladeren trods omhyggelig fabrikation og kontrol holde op med at fungere, skal reparationen udføres af et autoriseret serviceværksted for SKIL-elektroværktøj
 - send venligst det **uskilte** værktøj eller oplader sammen med et køb-bevis til din forhandler eller nærmeste autoriseret SKIL service værksted (adresser og reservedelstegning af værktøjet findes på www.skil.com)
 - i tilfælde af at opladeren er defekt, send **både opladeren og batteriet** til din forhandler eller til et SKIL service værksted

MILJØ

- **Elværkøjt, tilbehør og emballage må ikke bortskaffes som almindeligt affald** (kun for EU-lande)
 - i henhold til det europæiske direktiv 2012/19/EF om bortskaffelse af elektriske og elektroniske produkter og gældende national lovgivning, skal brugt elværktøj indsamles separat og bortskaffes på en måde, der skåner miljøet mest muligt
 - symbolet ⑧ erindrer dig om dette, når udskiftning er nødvendig
- Batteriet kan forurene naturen og må ikke blandes med almindeligt affald (symbolet ⑨ erindrer dig om dette, når udskiftning er nødvendig)
- ! **beskyt batteri terminaler med bredt tape for at undgå kortslutning**

OVERENSSTEMMELSESERKLÆRING CE

Akkubore-/skruemaskine 2395

Tekniske data ①

- Vi erklærer under almindeligt ansvar, at det produkt, der er beskrevet under "Tekniske data", er i overensstemmelse med følgende standarder eller normative dokumenter: EN 60745 (værktøj), EN 60335 (oplader), EN 61000, EN 55014, i henhold til bestemmelserne i direktiverne 2006/42/EF, 2014/35/EU, 2014/30/EU, 2011/65/EU
- **Teknisk dossier hos:** SKIL Europe BV (PT-SEU/ENG1), 4825 BD Breda, NL

Marijn van der Hoofden Olaf Dijkgraaf
Operations & Engineering Approval Manager




SKIL Europe BV, 4825 BD Breda, NL

21.10.2014

STØJ/VIBRATION

- Måles efter EN 60745 er lydtrykniveau af dette værktøj <70 dB(A) (standard deviation: 3 dB) og vibrationsniveauet * m/s² (hånd-arm metoden; usikkerhed K = 1,5 m/s²)
 - * ved boring i metal <2,5 m/s²
 - * ved skruining <2,5 m/s²

- Det vibrationsnivå er målt i henhold til den standardiserte test som anført i EN 60745; den kan benyttes til at sammenligne to stykker værktøy og som en foreløbig bedømmelse av udsættelsen for vibrasjoner, når værktøyet anvendes til de nævnte formål
- anvendes værktøyet til andre formål eller med annet eller dårligt vedlikehold tilbehør, kan dette **øge** udsættelsesnivået betydeligt
- de tidsrum, hvor værktøyet er slukket, eller hvor det kører uten reelt at utføre noget arbeid, kan **reducere** udsættelsesnivået betydeligt
- ! **beskyt dig selv imod virkningerne af vibrasjoner ved at vedlikeholde værktøjet og dets tilbehør, ved at holde dine hænder varme og ved at organisere dine arbeidsmønstre**

N

Oppladbar bormaskin/ skrutrekker

2395

INTRODUKSJON

- Dette verktøyet er beregnet til boring i tre, metall, murstein, stein, keramikk og kunststoff; verktøy med elektronisk turtallsregulering og høyre-/ venstregang er også egnet til skruing og gjengeskjæring
- Dette verktøyet er ikke beregnet på profesjonell bruk
- Les og ta vare på denne brukerveiledningen ③

TEKNISKE DATA ①

Max. dreiemoment for hard skruing jf. ISO 5393 : 26 Nm

VERKTØYELEMENTER ②

- A Bryter til av/på og turtallsregulering
- B Bryter til endring av dreieretning
- C Selvspennende chuck
- D Ring til momentinnstilling
- E Låst stilling (clutch)
- F Ventilasjonsåpninger
- G Lader
- H Rødt ladelys

SIKKERHET

GENERELLE SIKKERHETSANVISNINGER

⚠ OBS! Les gjennom alle advarslene og anvisningene.

Feil ved overholdelsen av advarslene og nedenstående anvisninger kan medføre elektriske støt, brann og/eller alvorlige skader. **Ta godt vare på alle advarslene og informasjonene.** Det nedenstående anvendte uttrykket "elektroverktøy" gjelder for strømndrevne elektroverktøy (med ledning) og batteridrevne elektroverktøy (uten ledning).

1) SIKKERHET PÅ ARBEIDSPLASSEN

- a) **Hold arbeidsområdet rent og ryddig.** Rotete arbeidsområder eller arbeidsområder uten lys kan føre til ulykker.

- b) **Ikke arbeid med maskinen i eksplosjonsutsatte omgivelser – der det befinner seg brennbare væsker, gass eller støv.** Elektroverktøy lager gnister som kan antenne støv eller damper.

- c) **Hold barn og andre personer unna når elektroverktøyet brukes.** Hvis du blir forstyrret under arbeidet, kan du miste kontrollen over maskinen.

2) ELEKTRISK SIKKERHET

- a) **Støpselet til maskinen må passe inn i stikkkontakten. Støpselet må ikke forandres på noen som helst måte. Ikke bruk adapterstøpsler sammen med jordede maskiner.** Bruk av støpsler som ikke er forandret på og passende stikkontakter reduserer risikoen for elektriske støt.
- b) **Unngå kroppskontakt med jordede overflater slik som rør, ovner, komfyrer og kjøleskap.** Det er større fare ved elektriske støt hvis kroppen din er jordet.
- c) **Hold maskinen unna regn eller fuktighet.** Dersom det kommer vann i et elektroverktøy, øker risikoen for elektriske støt.
- d) **Ikke bruk ledningen til andre formål, f.eks. til å bære maskinen, henge den opp eller trekke den ut av stikkkontakten. Hold ledningen unna varme, olje, skarpe kanter eller maskindeler som beveger seg.** Med skadede eller opphopede ledninger øker risikoen for elektriske støt.
- e) **Når du arbeider utendørs med et elektroverktøy, må du kun bruke en skjøteledning som er godkjent til utendørs bruk.** Når du bruker en skjøteledning som er egnet for utendørs bruk, reduseres risikoen for elektriske støt.
- f) **Hvis det ikke kan unngås å bruke elektroverktøyet i fuktige omgivelser, må du bruke en jordfeilbryter.** Bruk av en jordfeilbryter reduserer risikoen for elektriske støt.

3) PERSONSIKKERHET

- a) **Vær oppmerksom, pass på hva du gjør, gå fornuftig frem når du arbeider med et elektroverktøy. Ikke bruk maskinen når du er trett eller er påvirket av narkotika, alkohol eller medikamenter.** Et øyeblikks uoppmerksomhet ved bruk av maskinen kan føre til alvorlige skader.
- b) **Bruk personlig verneutstyr og husk alltid å bruke vernebriller.** Bruk av personlig sikkerhetsutstyr som støvmaske, sklifaste arbeidssko, hjelm eller hørselvern – avhengig av type og bruk av elektroverktøyet – reduserer risikoen for skader.
- c) **Unngå å starte verktøyet ved en feiltagelse. Forviss deg om at elektroverktøyet er slått av før du kobler det til strømmen og/eller batteriet, løfter det opp eller bærer det.** Hvis du holder fingeren på bryteren når du bærer elektroverktøyet eller kobler elektroverktøyet til strømmen i innkoblet tilstand, kan dette føre til uhell.
- d) **Fjern innstillingsverktøy eller skrunøkler før du slår på elektroverktøyet.** Et verktøy eller en nøkkel som befinner seg i en roterende maskindel, kan føre til skader.
- e) **Ikke overvurder deg selv. Sørg for å stå stødig og i balanse.** Dermed kan du kontrollere maskinen bedre i uventede situasjoner.
- f) **Bruk alltid egnete klær. Ikke bruk vide klær eller smykker. Hold hår, tøy og hansker unna deler som**

beveger seg. Løstsittende tøy, smykker eller langt hår kan komme inn i deler som beveger seg.

- g) **Hvis det kan monteres støvavsug- og oppsamlingsinnretninger, må du forvisse deg om at disse er tilkoblet og brukes på korrekt måte.** Bruk av et støvavsug reduserer farer på grunn av støv.

4) AKTSOM HÅNDTERING OG BRUK AV ELEKTROVERKTØY

- a) **Ikke overbelast maskinen. Bruk et elektroverktøy som er beregnet til den type arbeid du vil utføre.** Med et passende elektroverktøy arbeider du bedre og sikrere i det angitte effektområdet.
- b) **Ikke bruk elektroverktøy med defekt på-/avbryter.** Et elektroverktøy som ikke lenger kan slås av eller på, er farlig og må repareres.
- c) **Trekk støpselet ut av stikkkontakten og/eller fjern batteriet før du utfører innstillinger på elektroverktøyet, skifter tilbehørsdeler eller legger maskinen bort.** Disse tiltakene forhindrer en utilsiktet startung av maskinen.
- d) **Elektroverktøy som ikke er i bruk må oppbevares utilgjengelig for barn. Ikke la maskinen brukes av personer som ikke er fortrolig med dette eller ikke har lest disse anvisningene.** Elektroverktøy er farlige når de brukes av uerfarne personer.
- e) **Vær nøye med vedlikeholdet av maskinen. Kontroller om bevegelige maskindeler fungerer feilfritt og ikke klemmes fast, og om deler er brukt eller skadet, slik at dette innvirker på maskinens funksjon. La skadede deler repareres før maskinen brukes.** Dårlig vedlikeholdte elektroverktøy er årsaken til mange uhell.
- f) **Hold skjæreverktøyene skarpe og rene.** Godt stelte skjæreverktøy med skarpe skjær setter seg ikke så ofte fast og er lettere å føre.
- g) **Bruk elektroverktøy, tilbehør, verktøy osv. i henhold til disse anvisningene. Ta hensyn til arbeidsforholdene og arbeidet som skal utføres.** Bruk av elektroverktøy til andre formål enn det som er angitt kan føre til farlige situasjoner.

5) AKTSOM HÅNDTERING OG BRUK AV BATTERIDREVNE VERKTØY

- a) **Lad batteriet kun opp i ladeapparater som er anbefalt av produsenten.** Det oppstår brannfare hvis et ladeapparat som er egnet til en bestemt type batterier, brukes med andre batterier.
- b) **Bruk derfor kun riktig type batterier for elektroverktøyene.** Bruk av andre batterier kan medføre skader og brannfare.
- c) **Hold batteriet som ikke er i bruk unna binders, mynter, nøkler, spikre, skruer eller andre mindre metallgjenstander, som kan lage en forbindelse mellom kontaktene.** En kortslutning mellom batterikontaktene kan føre til forbrenninger eller brann.
- d) **Ved gal bruk kan det lekke væske ut av batteriet. Unngå kontakt med denne væsken. Ved tilfeldig kontakt må det skylles med vann. Hvis det kommer væske i øynene, må du i tillegg oppsøke en lege.** Batterivæske som renner ut kan føre til irritasjoner på huden eller forbrenninger.

6) SERVICE

- a) **Maskinen din skal alltid kun repareres av kvalifisert fagpersonale og kun med originale reservedeler.** Slik opprettholdes maskinens sikkerhet.

SIKKERHETSANVISNINGER FOR OPPLADBAR DRILL/ SKRUTREKKER

- Ungå skade p.g.a. skruer, spiker eller andre elementer i arbeidsstykket; fjernes før man starter jobben
- Sjekk alltid at tilført spenningen er den samme som oppgitt på laderens merkeplate
- I tilfelle noe elektrisk eller mekanisk unormalt, slå øyeblikkelig av bryteren eller ta ut laderen fra stikkkontakten
- SKIL kan kun garantere et feilfritt verktøy dersom original-tilbehør brukes
- Bruk kun tilbehør med et godkjent turtall som er minst like høyt som verktøyets høyeste tomgangsturtall
- Verktøyet/laderen må ikke brukes av barn eller personer med fysiske eller sansemessige handicap, eller som er mentalt tilbakestående, eller mangler erfaring og kunnskaper, med mindre de er under tilsyn og får opplæring i bruk av verktøyet/laderen av en person som er ansvarlig for sikkerheten deres
- Sørg for at barn ikke får anledning til å leke med verktøyet/laderen
- **Sett fast arbeidsstykket** (et arbeidsstykke som er sikret med klemmer, sitter sikrere enn om det holdes fast for hånd)
- **Hold elektroverktøyet på de isolerte gripeflatene, hvis du utfører arbeid der innsatsilbehøret eller skruen kan treffe på skjulte strømledninger eller den egne strømledningen** (kontakt med en spenningsførende ledning kan også sette elektroverktøyets metalldele under spenning og føre til elektriske støt)
- **Bruk egnede detektorer til å finne skjulte strøm-/gass-/vannledninger, eller spør hos det lokale el-/gass-/vannverket** (kontakt med elektriske ledninger kan medføre brann og elektrisk støt; skader på en gassledning kan føre til eksplosjon; inntrenging i en vannledning forårsaker materielle skader og kan medføre elektriske støt)
- **Ikke bearbeid asbestholdig material** (asbest kan fremkalle kreft)
- Støv fra materialer som blyholdig maling, visse tresorter, mineraler og metall kan være skadelig (kontakt med eller inhalering av støv kan gi allergiske reaksjoner og/eller sykdommer i åndedrettsorganene for brukeren eller personer i nærheten); **bruk støvmaske og arbeid med støvfjerningsutstyr når det er mulig**
- Visse typer støv er klassifisert som kreftfremkallende (som f.eks. støv fra eik og bøk), spesielt sammen med tilsetningsstoffer for trebehandling; **bruk støvmaske og arbeid med støvfjerningsutstyr når det er mulig**
- Følg de nasjonale krav, når det gjelder støv for de materialer du ønsker å arbeide med
- Sørg for at bryter B (2) er i midterste (låst) posisjon før du utfører innstillinger på verktøyet eller skifter tilbehørsdeler eller bærer eller legger verktøyet bort

LADING/BATTERIENE

- Lad alltid batteriet med laderen som følger med
- Ikke berør kontaktene i laderen

- Utsett ikke verktøy/lader/batteriet for regn
- Oppbevar verktøy/lader/batteriet på et sted der temperaturen ikke overstiger 40°C eller faller enn 0°C
- Batteriet må ikke lades i fuktige eller våte omgivelser
- Batterier vil eksplodere hvis de blir brent, derfor må man aldri brenne batteriene
- Bruk ikke laderen når den er skadet; ta den med til et autorisert SKIL serviceverksted for en sikkerhetssjekk
- Bruk ikke laderen dersom ledning eller plugg er skadet; ledning eller plugg bør straks skiftes ut på et autorisert SKIL serviceverksted
- Bruk ikke batteriet når de er skadet; de må byttes ut umiddelbart
- Demontere ikke lader eller batteriet
- Forsøk ikke å lade opp batterier, som ikke er oppladbare, med laderen

FORKLARING AV SYMBOLER PÅ LADER/BATTERI

- ③ Les instruksjonsboken før bruk
- ④ Laderen skal kun brukes innendørs
- ⑤ Dobbeltsolert (ikke nødvendig med jordingsleder)
- ⑥ Ombytting av polene ved tilkobling av laderen kan medføre fare (batteriet skal kun lades med den medfølgende laderen)
- ⑦ Automatisk utkobling når laderen blir for varm (termisk sikring løser ut og laderen kan ikke brukes)
- ⑧ Kast aldri lader i husholdningsavfallet
- ⑨ Kast aldri batteriet i husholdningsavfallet

BRUK

- Batteriopplading ⑩
 - batteriet er ikke fullt oppladet på nye verktøy
 - kople laderen med en stikkontakt som vist
 - sett batteriet i laderen
 - rødt lys H slås på, og indikerer at batteriet blir ladet
 - rødt lys H vil være på så lenge batteriet er koblet til laderen og laderens plugg står i stikkkontakten

! ta ut batteriet fra laderen etter ladetiden er ute; slik forlenges levetid av batteriet

VIKTIG:

- etter 3 timer er lading fullført og batteriet kan brukes
- under lading kan laderen og batteriet være varm å berøre; dette er vanlig og indikerer ikke et problem
- se til at overflaten på batteriet er ren og tørr før det settes i laderen
- opplading må ikke foregå ved temperaturer lavere enn 0°C og over 45°C; dette vil forårsake alvorlig skade på batteriet og laderen
- ta ikke ut batteriet mens verktøyet er i gang
- ! et nytt batteri eller et batteri som ikke har vært brukt over lengre tid gir først sin fulle effekt etter ca. 5 oppladings-/utladingscykluser**
- gjenta ikke oppladingen etter kun noen få minutters bruk; dette kan resultere i reduksjon av brukstiden og effektiviteten
- dersom verktøyet ikke har vært benyttet på lang tid er det best å trekke laderen ut av stikkkontakten
- Av/på ⑪
- Turtallsregulering for myk-start ⑫
- Endring av dreieretning ⑬
 - hvis ikke retningshendelen er riktig satt i venstre/høyre posisjon, sperrer bryteren A ②

! endre bare dreieretning når verktøyet er helt stillestående

- Bytting av bits ⑭
 - sett bit så dybt som mulig inn i chucken
- ! bruk aldri bit med skadet tange**
- Momentinnstilling (VariTorque) ⑮
 - kraft vil øke dersom clutch-ringen D føres fra 1-5; den stilling E vil låse clutchen for å tillate boring eller skruing med tung belastning
 - ved skruing, prøv først med VariTorque stilling 1 og øk inntil den ønskede dybde er nådd
- Grep og styring av verktøyet ⑯
 - ! under arbeid, hold verktøyet alltid i grått(gråe) grepsområde(r)**
 - hold ventilasjonsåpningen F ② utdekket
 - ikke utøv for meget press på verktøyet; la verktøyet gjøre jobben for deg

BRUKER TIPS

- Bruk riktig bits ⑰
 - ! bruk alltid skarpt bits**
- Ved boring i jernholdige metaller
 - bor først et lite hull, når et stort hull er krevet
 - smør boret av og til med olje
- Ved skruing ute ved materiaalkanten er det en fordel å forbore for å ongå at materialet sprekker
- For at du skal ha full nytte av verktøyet er det nødvendig med et svakt press mot skruen, spesielt ved utskruing
- Som skrutrekker ved anvendelse i hardt tre anbefaler vi å bore et styrehull først
- Splinterfri boring i tre ⑱
- Støvfri boring i vegger ⑲
- Støvfri boring i tak ⑳
- Boring i fliser uten skli ㉑
- Se flere tips på www.skil.com

VEDLIKEHOLD / SERVICE

- Dette verktøyet er ikke beregnet på profesjonell bruk
- Hold verktøyet og laderen ren
 - rengjør kontakten i laderen med alkohol eller contactrens
- ! ta ut laderen fra stikkkontakten før rengjøring**
- Hvis elektroverktøyet/laderen til tross for omhyggelige produksjons- og kontrollmetoder en gang skulle svikte, må reparasjonen utføres av et autorisert serviceverksted for SKIL-elektroverktøy
 - send verktøyet eller laderen i **montert** tilstand med kjøpsbevis til leverandøren eller nærmeste SKIL serviceverksted (adresser liksom service diagram av verktøyet finner du på www.skil.com)
 - dersom laderen er defekt send **både laderen og batteriet** til leverandøren eller til SKIL sin serviceverksted

MILJØ

- **Kast aldri elektroverktøy, tilbehør og emballasje i husholdningsavfallet** (kun for EU-land)
 - i henhold til EU-direktiv 2012/19/EF om kasserte elektriske og elektroniske produkter og direktivets iværksettning i nasjonal rett, må elektroverktøy som ikke

lenger skal brukes, samles separat og returneres til et miljøvennlig gjenvinningsanlegg

- symbolet (8) er påtrykt som en påminnelse når utskifting er nødvendig
- Batteriet må oppbevares adskilt fra miljø og må ikke kastes som vanlig husholdningsavfall (symbolet (9) er påtrykt som en påmindelse for riktig avhendelse av batteriet når nødvendig)
- ! **før batteriene kastes, tape polene med tykke tape for å unngå kortslutning**

SAMSVARSERKLÆRING CE

Oppladbar bormaskin/skrutrekker 2395

Tekniske data (1)

- Vi erklærer som eneansvarlig at produktet som beskrives under "Tekniske data" stemmer overens med følgende normer eller normative dokumenter: EN 60745 (verktøy), EN 60335 (lader), EN 61000, EN 55014, jf. bestemmelsene i direktivene 2006/42/EF, 2014/35/EU, 2014/30/EU, 2011/65/EU
- **Tekniske underlag hos:** SKIL Europe BV (PT-SEU/EN61), 4825 BD Breda, NL

Marijn van der Hoofden
Operations & Engineering

Olaf Dijkgraaf
Approval Manager

SKIL Europe BV, 4825 BD Breda, NL

21.10.2014

STØY/VIBRASJON

- Målt ifølge EN 60745 er lydtrykknivået av dette verktøyet <70 dB(A) (standard deviasjon: 3 dB) og vibrasjonsnivået * m/s² (hånd-arm metode; usikkerhet K = 1,5 m/s²)
 - * ved boring i metall <2,5 m/s²
 - * ved skruing <2,5 m/s²
- Det avgitte vibrasjonsnivået er blitt målt i samsvar med en standardisert test som er angitt i EN 60745; den kan brukes til å sammenligne et verktøy med et annet, og som et foreløpig overslag over eksponering for vibrasjoner ved bruk av verktøyet til de oppgavene som er nevnt
 - bruk av verktøyet til andre oppgaver, eller med annet eller mangelfullt vedlikeholdt utstyr, kan gi en vesentlig **økning** av eksponeringsnivået
 - tidsrommene når verktøyet er avslått eller når det går men ikke arbeider, kan gi en vesentlig **reduksjon** av eksponeringsnivået
- ! **beskytt deg selv mot virkningene av vibrasjoner ved å vedlikeholde verktøyet og utstyret, holde hendene varme og organisere arbeidsmåten din**

FIN

Akkuruuvinväännin/-porakone 2395

ESITTELY

- Koneet on tarkoitettu poraamiseen puuhun, metalliin, tilleen, kiveen, keramiikkaan ja muoviin; elektronisella

nopeudensäädöllä ja suunnanvaihdolla varustetut koneet soveltuvat myös ruuvinvääntöön ja kierteitykseen

- Tämä työkalua ei ole tarkoitettu ammattikäyttöön
- Lue ja säilytä tämä ohjekirja (3)

TEKNISET TIEDOT (1)

Suurin vääntömomentti kovassa ruuvinväännössä ISO 5393 mukaan : 26 Nm

LAITTEEN OSAT (2)

- A On/off- ja nopeudensäätökytkin
- B Kytkin pyörintäsuunnan vaihtamiseksi
- C Pikaistukka
- D Momentinsäätö
- E Lukitusasento (kytkin)
- F Ilmanvaihto-aukot
- G Laturi
- H Punainen latauslaitteen valo

TURVALLISUUS

YLEISET TURVALLISUUSOHJEET

⚠️ HUOMIO! Lue kaikki turvallisuus- ja muut ohjeet. Turvallisuusohjeiden noudattamisen laiminlyönti saattaa johtaa sähköiskuun, tulipaloon ja/tai vakavaan loukkaantumiseen. **Säilytä kaikki turvallisuus- ja muut ohjeet tulevaisuutta varten.** Turvallisuusohjeissa käytetty käsite "sähkötyökalu" käsittää verkkokäyttöisiä sähkötyökaluja (verkkajohdolla) ja akkukäyttöisiä sähkötyökaluja (ilman verkkajohtoa).

1) TYÖPAIKAN TURVALLISUUS

- Pidä työskentelyalue puhtaana ja hyvin valaistuna.** Työpaikan epäjärjestys tai valaisemattomat työalueet voivat johtaa tapaturmiin.
- Älä työskentele sähkötyökalulla räjähdysalttiissa ympäristössä, jossa on palavaa nestettä, kaasua tai pölyä.** Sähkötyökalu muodostaa kipinöitä, jotka saattavat sytyttää pölyn tai höyryt.
- Pidä lapset ja sivulliset loitolla sähkötyökalua käytäessäsi.** Voit menettää laitteesi hallinnan, huomiosi suuntautuessa muualle.

2) SÄHKÖTURVALLISUUS

- Sähkötyökalun pistotulpan tulee sopia pistorasiaan. Pistotulppaa ei saa muuttaa millään tavalla. Älä käytä mitään pistorasia-adaptoreita maadoitettujen sähkötyökalujen kanssa.** Alkuperäisessä kunnossa olevat pistotulpat ja sopivat pistorasiat vähentävät sähköiskun vaaraa.
- Vältä koskettamasta maadoitettuja pintoja, kuten putkia, pattereita, liesiä tai jääkaappeja.** Sähköiskun vaara kasvaa, jos kehosi on maadoitettu.
- Älä aseta sähkötyökalua alttiiksi sateelle tai kosteudelle.** Veden tunkeutuminen sähkötyökalun sisään kasvattaa sähköiskun riskiä.
- Älä käytä verkkajohtoa väärin. Älä käytä sitä sähkötyökalun kantamiseen, vetämiseen tai pistotulpan irrottamiseen pistorasiasta. Pidä johto loitolla kuumuudesta, öljystä, terävistä reunoista ja**

- liikkuvista osista. Vahingoittuneet tai sotkeutuneet johdot kasvattavat sähköiskun vaaraa.
- e) **Käyttäessäsi sähkötyökäluä ulkona, käytä ainoastaan ulkokäyttöön soveltuvaa jatkojohtoa.** Ulkokäyttöön soveltuvan jatkojohdon käyttö pienentää sähköiskun vaaraa.
 - f) **Jos sähkötyökäluun käyttö kosteassa ympäristössä ei ole vältettävissä, tulee käyttää maavuotokatkaisijaa.** Maavuotokatkaisijan käyttö vähentää sähköiskun vaaraa.
- ### 3) HENKILÖTURVALLISUUS
- a) **Ole valpas, kiinnitä huomiota työskentelyysi ja noudata tervettä järjeä sähkötyökäluä käyttäessäsi. Älä käytä sähkötyökäluä, jos olet väsynyt tai huumeiden, alkoholin tahi lääkkeiden vaikutuksen alaisena.** Hetken tarkkaamattomuus sähkötyökäluä käytettäessä, saattaa johtaa vakavaan loukkaantumiseen.
 - b) **Käytä suojavarusteita. Käytä aina suojalaseja.** Henkilökohtaisen suojavarustuksen käyttö, kuten pölynaamarin, luistamattomien turvakengien, suojakypärän tai kuulonsuojaimien, riippuen sähkötyökäluun lajista ja käyttötavasta, vähentää loukkaantumiseriskiiä.
 - c) **Vältä tahatonta käynnistämistä. Varmista, että sähkötyökälu on poiskytkettyä, ennen kuin liität sen sähköverkkoon ja/tai liität akun, otat sen käteen tai kannat sitä.** Jos kannat sähkötyökäluä sormi käynnistyskytkimellä tai kytket sähkötyökäluun pistotulpan pistorasiaan, käynnistyskytkimen ollessa käyntiasennossa, altistat itsesi onnettomuuksille.
 - d) **Poista kaikki säätötyökälu ja ruuvitaltat, ennen kuin käynnistät sähkötyökäluun.** Työkälu tai avain, joka sijaitsee laitteen pyöriivässä osassa, saattaa johtaa loukkaantumiseen.
 - e) **Älä yliarvioi itseäsi. Huolehdi aina tukevasta seisoma-asennosta ja tasapainosta.** Täten voit paremmin hallita sähkötyökäluä odottamattomissa tilanteissa.
 - f) **Käytä tarkoitukseen soveltuvia vaatteita. Älä käytä löysiä työvaatteita tai koruja. Pidä hiukset, vaatteet ja käsineet loitolla liikkuvista osista.** Välijät vaatteet, korut ja pitkäät hiukset voivat takertua liikkuviin osiin.
 - g) **Jos pölynimu- ja keräilylaitteita voidaan asentaa, tulee sinun tarkistaa, että ne on liitetty ja että ne käytetään oikealla tavalla.** Pölynimulaitteiston käyttö vähentää pölyn aiheuttamia vaaroja.
- ### 4) SÄHKÖTYÖKÄLUJEN KÄYTTÖ JA HOITO
- a) **Älä ylikuormita laitteita. Käytä kyseiseen työhön tarkoitettua sähkötyökäluä.** Sopivaa sähkötyökäluä käyttäen työskentelet paremmin ja varmemmin tehoalueella, jolle sähkötyökälu on tarkoitettu.
 - b) **Älä käytä sähkötyökäluä, jota ei voida käynnistää ja pysäyttää käynnistyskytkimestä.** Sähkötyökälu, jota ei enää voida käynnistää ja pysäyttää käynnistyskytkimellä, on vaarallinen ja se täytyy korjata.
 - c) **Irrota pistotulppa pistorasiasta, ennen kuin suoritat säätöjä, vaihdat tarvikkeita tai siirät sähkötyökäluun varastoitavaksi.** Nämä turvatoimenpiteet pienentävät sähkötyökäluun tahattoman käynnistuseriskin.
 - d) **Säilytä sähkötyökälu poissa lasten ulottuvilta, kun niitä ei käytetä. Älä anna sellaisten henkilöiden**

- käyttää sähkötyökäluä, jotka eivät tunne sitä tai jotka eivät ole lukeneet tätä käyttöohjetta.
- Sähkötyökälu otat vaarallisia, jos niitä käyttävät kokemattomat henkilöt.
- e) **Hoida sähkötyökäluasi huolella. Tarkista, että liikkuvat osat toimivat moitteettomasti, eivätkä ole puristuksessa sekä, että siinä ei ole murtuneita tai vahingoittuneita osia, jotka saattaisivat vaikuttaa haitallisesti sähkötyökäluun toimintaan. Anna korjauttaa mahdolliset viat ennen käyttöönottoa.** Monen tapaturman syyt löytyvät huonosti huolletuista laitteista.
 - f) **Pidä leikkausterät terävinä ja puhtaina.** Huolellisesti hoidetut leikkaustyökäluet, joiden leikkausreunat ovat teräviä, eivät tartu helposti kiinni ja niitä on helpompi hallita.
 - g) **Käytä sähkötyökäluja, tarvikkeita, vaihtotyökäluja jne. näiden ohjeiden mukaisesti. Ota tällöin huomioon työolosuhteet ja suoritettava toimenpide.** Sähkötyökäluun käyttö muuhun kuin sille määrättyyn käyttöön, saattaa johtaa vaarallisiin tilanteisiin.
- ### 5) AKKUKÄYTTÖISTEN SÄHKÖTYÖKÄLUJEN KÄYTTÖ JA HOITO
- a) **Lataa akku vain valmistajan määräämässä latauslaitteessa.** Latauslaite, joka soveltuu määrättyntyyppiselle akulle, saattaa muuostaa tulipalovaaran erilaista akkua ladattaessa.
 - b) **Käytä sähkötyökäluä ainoastaan kyseiseen sähkötyökäluun tarkoitettua akkua.** Jonkun muun akun käyttö saattaa johtaa loukkaantumiseen ja tulipaloon.
 - c) **Pidä irrallista akkua loitolla metalliesineistä, kuten paperiniittimistä, kolikoista, avaimista, nauloista, ruuveista tai muista pienistä metalliesineistä, jotka voivat oikosulkea akun koskettimet.** Akkukoskettimien välinen oikosulku saattaa aiheuttaa palovammoja tai johtaa tulipaloon.
 - d) **Väärästä käytöstä johtuen saattaa akusta vuotaa nestettä, jota ei tule koskettaa. Jos nestettä vahingossa joutuu iholle, huuhtelee kosketuskohta vedellä. Jos nestettä pääsee silmiin, tarvitaan tämän lisäksi lääkärin apua.** Akusta vuotava neste saattaa aiheuttaa ärsytystä ja palovammoja.
- ### 6) HUOLTO
- a) **Anna koulutettujen ammattihenkilöiden korjata sähkötyökäluja ja hyväksy korjauksiin vain alkuperäisiä varaosia.** Täten varmistat, että sähkötyökälu säilyy turvallisena.

AKKURUUVINVÄÄNTIMEN-/PORAKONEEN TURVALLISUUSOHJEET

- Vältä vaaralliset vahingot, jotka voivat aiheutua nauloista, ruuveista tai muista aineista työstettävissä materiaalissa; poista ne ennen työskentelyn aloittamista
- Tarkista aina, että syöttöjännite on sama kuin latauslaitteen nimiltaan osoittama jännite
- Jos huomaat sähköisen tai mekaanisen vian, sammuta kone heti tai irrota latauslaite ajaksi pistorasiasta
- SKIL pystyy takaamaan työkalun moitteettoman toiminnan vain, kun käytetään alkuperäisiä tarvikkeit

- Käytä vain tarvikkeita, joiden sallittu kierros-luku on vähintään yhtä suuri kuin laitteen suurin tyhjäkäyntikierros-luku
- Työkalua/latauslaite ei ole tarkoitettu henkilöiden käyttöön (mukaan lukien lapset), joiden fyysinen, sensorinen tai henkinen viireys on rajoittunut tai joilla ei ole kokemusta tai tietämystä, ellei heidän turvallisuudestaan vastaava henkilö ole antanut heille ohjausta tai koulutusta työkalun/latauslaitetta käytössä
- Varmista, etteivät lapset leiki laitteella/latauslaitteella
- **Kiinnitä työstettävä kappale** (kiinnittimeen tai puristimeen kiinnitetty työstettävä kappale pysyy tukevammin paikoillaan kuin käsin pidettäessä)
- **Tartu sähkötyökaluun ainoastaan eristetyistä pinnoista, tehdessäsi työtä, jossa vaihtotyökalu tai ruuvi saattaisi osua pilossa olevaan sähköjohtoon tai sähkötyökalun omaan sähköjohtoon** (kosketus jännitteeseen johtoon voi saattaa sähkötyökalun metalliosat jännitteisiksi ja johtaa sähköiskuun)
- **Käytä sopivia etsintälaitteita pilossa olevien syöttöjohtojen paikallistamiseksi, tai käänny paikallisen jakeluyltiön puoleen** (kosketus sähköjohtoon saattaa johtaa tulipaloon ja sähköiskuun; kaasuputken vahingoittaminen saattaa johtaa räjähdykseen; vesijohtoon tunkeutuminen aiheuttaa aineellista vahinkoa tai saattaa johtaa sähköiskuun)
- **Älä koskaan työstä asbestipitoista ainetta** (asbestia pidetään karsinogeenisena)
- Materiaaleista, kuten lyijypitoinen maali, jotkut puulajit, mineraalit ja metalli, tuleva pöly voi olla vahingollista (kosketuksiin joutuminen pölyn kanssa tai sen sisään hengittäminen voi aiheuttaa käyttäjälle tai sivustakatsojille allergiareaktioita ja/tai hengitysvaivoja); **käytä pölynaamaria ja työskentele pölynpoistolaitteen kanssa, kun sellainen on liitettävissä**
- Tietyn tyyppiset pölyt on luokiteltu karsinogeenisiksi (kuten tammi- ja pyökkipöly) erityisesti puun käsittelyyn käytettävien lisäaineiden yhteydessä; **käytä pölynaamaria ja työskentele pölynpoistolaitteen kanssa, kun sellainen on liitettävissä**
- Noudata maakohtaisia pölyyn liittyviä sääntöjä
- Varmista, että kytkin B (2) on keskellä (lukitus)asennossa, ennen kuin suoritat säätöjä, vaihdat tarvikkeita tai siirrätkoneen varastoitavaksi

LATAAMINEN/AKKU

- Lataa akku vain koneen mukana toimitetulla latauslaitteella
- Älä koske latauslaitteessa olevia releitä
- Suojele konettasi/latauslaitetta/akkua sateelta
- Säilytä konettasi/latauslaitetta/akkua paikoissa, joissa lämpötila ei nouse yli 40°C, eikä laske alle 0°C
- Älä lataa akkua kosteissa tai märissä olosuhteissa
- Akut räjähtävät, jos ne hävitetään polttamalla, joten älä missään tapauksessa polta niitä
- Älä käytä vahingoittunutta latauslaitetta; vaan toimita se SKIL-keskushuoltoon tarkastettavaksi
- Älä käytä latauslaitetta, kun johto tai pistoke on vioittunut; johto ja pistoke olisi heti vaihdettava SKIL-keskushuollossa
- Älä käytä vahingoittunutta akkua, vaan vaihda se välittömästi
- Älä pura itse latauslaitetta tai akkua

- Älä lataa ladattavaksi soveltumattomia akkuja tällä laturilla

LATURISSA/AKUSSA SYMBOLIEN SELITYKSET

- ③ Lue käyttöohjeet ennen käyttöä
- ④ Käytä laturia vain sisätiloissa
- ⑤ Kaksoiseristys (ei tarvita maajohtoa)
- ⑥ Latauskytkennän väärä napaisuus voi aiheuttaa vaaran (lataa akku ainoastaan mukana tulevalla laturilla)
- ⑦ Automaattinen sammutus, kun laturi lämpenee liikaa (lämpösulake laukeaa eikä laturia voi käyttää)
- ⑧ Älä hävitä latauslaitetta tavallisen kotitalousjätteen mukana
- ⑨ Älä hävitä akkua tavallisen kotitalousjätteen mukana

KÄYTTÖ

- Akun lataus (10)
 - uusien koneiden akku ei ole ladattu
 - yhdistä latauslaitteen pistoke virtalähteeseen kuvatulla tavalla
 - aseta akku latauslaitteeseen
 - punainen valo H syttyy päälle osoittamaan, että akku latautuu
 - punainen valo H palaa niin kauan kuin akku on kiinni laturissa ja laturi seinäpistokkeessa
- ! **irrota akku latauslaitteesta sen jälkeen kun lataus on valmis pidentääksesi akun käyttöikä**
- TÄRKEÄÄ HUOMIOITAVAA:
 - 3 tunnin kuluttua lataus päättyy ja akkua voidaan käyttää
 - lataamisen aikana akku voi tuntua lämpimältä, kun sitä kosketellaan; tämä on normaalia eikä merkki mistään ongelmasta
 - varmista, että akku on puhdas ja kuiva, ennen kuin asetat sen latauslaitteeseen
 - älä lataa alle 0 °C:n tai yli 45 °C:n lämpötiloissa; akun ja latauslaite vaurioituvat siitä
 - älä irrota akkua koneen käydessä
- ! **uusi tai kauan käyttämättä ollut akku saavuttaa täyden tehonsa vasta n. 5 lataus-purkausjakson jälkeen**
 - älä lataa akkua uudelleen muutaman minuutin käytön jälkeen; tämä saattaa vähentää käyttöikää ja akun tehoa
 - jos on odotettavissa, että työkalu ei käytetä pitkään aikaan, on parasta irrottaa latauslaite virtalähteestä
- Käynnistyskytkin (11)
- Nopeudensäätö tasaista käynnistystä varten (12)
- Pyörintäsuunnan vaihto (13)
 - jos säätöä ei ole oikein asetettu vasen/oikea -asentoon, kytkintä A (2) ei voi käynnistää
- ! **muuta pyörintäsuuntaa vain kun työkalu on täysin pysäytettyinä**
- Kärkien vaihto (14)
 - aseta kärki mahdollisimman syväälle istukkaan
 - ! **älä käytä kärkiä, joiden varsi on vahingoittunut**
- Vääntömomentin säätö (VariTorque) (15)
 - vääntömomentti kasvaa käännettäessä kytkimen rengasta D 1:stä 5:ään; asento E on porausasento, jossa suurta momenttia vaativa ruuvinvääntö on mahdollista

- ruuvia kiinnittäessäsi koeta ensin VariTorque- säädintä asennolla 1, koeta sen jälkeen seuraavia asentoja, kunnes toivottu syvyys on saavutettu
- Koneen pitäminen ja ohjaaminen ⑩
- ! **pidä työkalusta kiinni aina työskentelyn aikana harmaan värisestä kädensija(o)ista**
- pidä ilmanvaihto-aukkoja F ② peittämättöminä
- älä paina työkalua liian voimakkaasti; vaan anna työkalun tehdä työ puolestasi

VINKKEJÄ

- Käytä oikeantyyppisiä kärkiä ⑰
- ! **käytä vain teräviä kärkiä**
- Porattaessa rautametalleja
 - poraa ensin pienempi esireikä ja jatka sitten isommalla terällä
 - voitele poranterä ajoittain öljyllä
- Kun ruuvi väännetään lähelle puun reunaa, pitää porata esireikä ruuvia varten, jotta estetään puun halkeaminen
- Jotta laitteesta saataisiin mahdollisimman suuri hyöty, ruuvia on painettava tasaisesti, varsinkin ruuvia irrotettaessa
- Väännettäessä ruuveja kovaan puuhun tulisi ensin porata esireikä
- Repimätön poraus puuhun ⑱
- Pölytön poraus seiniin ⑲
- Pölytön poraus kattoihin ⑳
- Poraus laattoihin luiskahtamatta ㉑
- Lisävinkkejä on tarjolla web-osoitteessa www.skil.com

HOITO / HUOLTO

- Tätä työkalua ei ole tarkoitettu ammattikäyttöön
- Pidä koneesi ja latauslaite puhtaana
 - puhdista latauslaitteen virtanavat alkoholilla tai kosketinkärkien puhdistukseen tarkoitettulla puhdistusaineella
- ! **irrota latauslaite aina puhdistuksen ajaksi pistorasialta**
- Jos sähkötyökalussa/latauslaitteessa, huolellisesta valmistuksesta ja koestusmenettelystä huolimatta esiintyy vikaa, tulee korjaus antaa SKIL sopimushuollon tehtäväksi
 - toimita työkalu tai latauslaite sitä osiin **purkamatta** lähimpään SKIL-huoltoon (osoitteet ja työkalun huoltokaava ovat tarjolla web-osoitteessa www.skil.com) ostodistie mukaan liitettynä
 - jos laturi on viallinen, lähetä **sekä laturi että akku** jälleenmyyjälle tai SKIL-huoltopisteeseen

YMPÄRISTÖSUOJELU

- **Älä hävitä sähkötyökalua, tarvikkeita tai pakkausta tavallisen kotitalousjätteen mukana** (koskee vain EU-maita)
 - vanhoja sähkö- ja elektroniikkalaitteita koskevan EU-direktiivin 2012/19/ETY ja sen maakohtaisten sovellusten mukaisesti käytetyt sähkötyökalut on toimitettava ongelmajätteen keräyspisteeseen ja ohjattava ympäristöystävälliseen kierrätykseen
 - symboli ⑧ muistuttaa tästä, kun käytöstä poisto tulee ajankohtaiseksi

- Akkua ei saa jättää luontoon eikä heittää pois normaalin kotitalousjätteen tapaan (symboli ⑨ muistuttaa tästä, kun käytöstä poisto tulee ajankohtaiseksi)
- ! **poistaessasi akun käytöstä peitä plus- ja miinusnapa sähköteipillä oikosulun estämiseksi**

VAATIMUSTEN- MUKAISUUSVAKUUTUS € €

Akkuruuvinväännin/-porakone 2395

Tekniset tiedot ①

- Vakuutamme yksin vastaavamme siitä, että kohdassa "Tekniset tiedot" selostettu tuote vastaa seuraavia standardeja tai standardoituja asiakirjoja: EN 60745 (työkalu), EN 60335 (latauslaite), EN 61000, EN 55014 direktiivien 2006/42/EY, 2014/35/EU, 2014/30/EU, 2011/65/EU määräysten mukaan
- **Tekninen tiedosto kohdassa:** SKIL Europe BV (PT-SEU/ENG1), 4825 BD Breda, NL

Marijn van der Hoofden
Operations & Engineering

Olaf Dijkgraaf
Approval Manager

SKIL Europe BV, 4825 BD Breda, NL

21.10.2014

MELU/TÄRINÄ

- Mitattuna EN 60745 mukaan työkalun melutaso on <70 dB(A) (keskihajonta: 3 dB) ja tärinän voimakkuus * m/s² (käsi-käsivarsi metodi; epävarmuus K = 1,5 m/s²)
 - * metalliin porattaessa <2,5 m/s²
 - * ruuvinväännettäessä <2,5 m/s²
- Tärinäsaiteilytaso on mitattu standardin EN 60745 mukaisen standarditestin mukaisesti; sitä voidaan käyttää verrattaessa yhtä laitetta toiseen sekä alustavana tärinälle altistumisen arviona käytettäessä laitetta manituissa käyttötarkoituksissa
 - laitteen käyttö eri käyttötarkoituksiin tai erilaisten tai huonosti ylläpidettyjen lisälaitteiden kanssa voi **lisätä** merkittävästi altistumistasoa
 - laitteen ollessa sammuksissa tai kun se on käynnissä, mutta sillä ei tehdä työtä, altistumistasoa voi olla huomattavasti **pienempi**
- ! **suojaudu tärinän vaikutuksilta ylläpitämällä laite ja sen lisävarusteet, pitämällä kädet lämpiminä ja järjestämällä työmenetelmät**

E

Taladradora/atornilladora
sin cable

2395

INTRODUCCIÓN

- Esta herramienta ha sido proyectada para taladrar en madera, metal, ladrillo, piedra, cerámica y materiales sintéticos; las herramientas con control electrónico de la

velocidad y de giro a derecha e izquierda son también adecuadas para atornillar y tallar roscas

- Esta herramienta no está concebida para uso profesional
- Lea y conserve este manual de instrucciones ③

DATOS TÉCNICOS ①

Par de giro máx. en unión atornillada rígida según ISO 5393 : 26 Nm

ELEMENTOS DE LA HERRAMIENTA ②

- A Interruptor para encendido/apagado y control de velocidad
- B Interruptor para invertir la dirección de giro
- C Portabrocas sin llave
- D Anillo para regulación del par de apriete
- E Posición de bloqueo (embrague)
- F Ranuras de ventilación
- G Cargador
- H Luz de carga roja

SEGURIDAD

INSTRUCCIONES GENERALES DE SEGURIDAD

⚠ ¡ATENCIÓN! Lea íntegramente estas advertencias de peligro e instrucciones. En caso de no atenerse a las advertencias de peligro e instrucciones siguientes, ello puede ocasionar una descarga eléctrica, un incendio y/o lesión grave. **Guardar todas las advertencias de peligro e instrucciones para futuras consultas.** El término “herramienta eléctrica” empleado en las siguientes advertencias de peligro se refiere a herramientas eléctricas de conexión a la red (con cable de red) y a herramientas eléctricas accionadas por acumulador (o sea, sin cable de red).

1) SEGURIDAD DEL PUESTO DE TRABAJO

- a) **Mantenga limpia y bien iluminada su área de trabajo.** El desorden o una iluminación deficiente en las áreas de trabajo pueden provocar accidentes.
- b) **No utilice la herramienta eléctrica en un entorno con peligro de explosión, en el que se encuentren combustibles líquidos, gases o material en polvo.** Las herramientas eléctricas producen chispas que pueden llegar a inflamar los materiales en polvo o vapores.
- c) **Mantenga alejados a los niños y otras personas de su área de trabajo al emplear la herramienta eléctrica.** Una distracción le puede hacer perder el control sobre la herramienta.

2) SEGURIDAD ELÉCTRICA

- a) **El enchufe de la herramienta debe corresponder a la toma de corriente utilizada. No es admisible modificar el enchufe en forma alguna. No emplear adaptadores en herramientas dotadas con una toma de tierra.** Los enchufes sin modificar adecuados a las respectivas tomas de corriente reducen el riesgo de una descarga eléctrica.
- b) **Evite que su cuerpo toque partes conectadas a tierra como tuberías, radiadores, cocinas y refrigeradores.** El riesgo a quedar expuesto a una

descarga eléctrica es mayor si su cuerpo tiene contacto con tomas de tierra.

- c) **No exponga las herramientas eléctricas a la lluvia o a condiciones de humedad.** Existe el peligro de recibir una descarga eléctrica si penetran líquidos en la herramienta.
- d) **No utilice el cable de red para transportar o colgar la herramienta, ni tire de él para sacar el enchufe de la toma de corriente. Mantenga el cable de red alejado del calor, aceite, esquinas cortantes o piezas móviles.** Los cables de red dañados o enredados pueden provocar una descarga eléctrica.
- e) **Al trabajar con la herramienta eléctrica en la intemperie utilice solamente cables de prolongación homologados para su uso en exteriores.** La utilización de un cable de prolongación adecuado para su uso en exteriores reduce el riesgo de una descarga eléctrica.
- f) **Si el funcionamiento de una herramienta eléctrica en un lugar húmedo fuese inevitable, utilice un cortacircuito de fuga a tierra.** El uso de un cortacircuito de fuga a tierra reduce el riesgo de descarga eléctrica.

3) SEGURIDAD DE PERSONAS

- a) **Esté atento y emplee la herramienta con prudencia. No utilice la herramienta eléctrica si estuviese cansado, ni bajo los efectos de alcohol, drogas o medicamentos.** El no estar atento durante el uso de una herramienta eléctrica puede provocarle serias lesiones.
- b) **Utilice un equipo de protección personal y en todo caso unas gafas de protección.** El riesgo a lesionarse se reduce considerablemente si, dependiendo del tipo y la aplicación de la herramienta eléctrica empleada, se utiliza un equipo de protección adecuado como una mascarilla antipolvo, zapatos de seguridad con suela antideslizante, casco, o protectores auditivos.
- c) **Evite una puesta en marcha fortuita. Asegurarse de que la herramienta eléctrica esté desconectada antes de conectarla a la toma de corriente y/o al montar el acumulador, al recogerla, y al transportarla.** Si transporta la herramienta eléctrica sujetándola por el interruptor de conexión/desconexión, o si introduce el enchufe en la toma de corriente con la herramienta eléctrica conectada, ello puede dar lugar a un accidente.
- d) **Retire las herramientas de ajuste o llaves fijas antes de conectar la herramienta eléctrica.** Una herramienta o llave colocada en una pieza rotativa puede producir lesiones graves al accionar la herramienta eléctrica.
- e) **Sea precavido. Trabaje sobre una base firme y mantenga el equilibrio en todo momento.** Ello le permitirá controlar mejor la herramienta eléctrica en caso de presentarse una situación inesperada.
- f) **Lleve puesta una vestimenta de trabajo adecuada. No utilice vestimenta amplia ni joyas. Mantenga su pelo, vestimenta y guantes alejados de las piezas móviles.** La vestimenta suelta, las joyas y el pelo largo se pueden enganchar con las piezas en movimiento.
- g) **Siempre que sea posible utilizar equipos de aspiración o captación de polvo, asegúrese que éstos estén montados y que sean utilizados**

correctamente. El empleo de estos equipos reduce los riesgos derivados del polvo.

4) CUIDADO Y UTILIZACIÓN DE HERRAMIENTAS ELÉCTRICAS

- a) **No sobrecargue la herramienta. Use la herramienta prevista para el trabajo a realizar.** Con la herramienta adecuada podrá trabajar mejor y con mayor seguridad dentro del margen de potencia indicado.
- b) **No utilice herramientas con un interruptor defectuoso.** Las herramientas que no se puedan conectar o desconectar son peligrosas y deben repararse.
- c) **Saque el enchufe de la red y/o desmonte el acumulador antes de realizar un ajuste en la herramienta eléctrica, cambiar de accesorio o al guardar la herramienta eléctrica.** Esta medida preventiva reduce el riesgo de conectar accidentalmente la herramienta.
- d) **Guarde las herramientas fuera del alcance de los niños y de las personas que no estén familiarizadas con su uso.** Las herramientas utilizadas por personas inexpertas son peligrosas.
- e) **Cuide sus herramientas con esmero. Controle si funcionan correctamente, sin atascarse, las partes móviles de la herramienta, y si existen partes rotas o deterioradas que pudieran afectar al funcionamiento de la herramienta. Si la herramienta eléctrica estuviese defectuosa haga repararla antes de volver a utilizarla.** Muchos de los accidentes se deben a herramientas con un mantenimiento deficiente.
- f) **Mantenga los útiles limpios y afilados.** Los útiles mantenidos correctamente se dejan guiar y controlar mejor.
- g) **Utilice herramientas eléctricas, accesorios, útiles, etc. de acuerdo con estas instrucciones, teniendo en cuenta las condiciones de trabajo y la tarea a realizar.** El uso de herramientas eléctricas para trabajos diferentes de aquellos para los que han sido concebidas puede resultar peligroso.

5) CUIDADO Y UTILIZACIÓN DE HERRAMIENTAS ACCIONADAS POR ACUMULADOR

- a) **Cargue los acumuladores únicamente con los cargadores recomendados por el fabricante.** Existe riesgo de incendio al intentar cargar acumuladores de un tipo diferente al previsto para el cargador.
- b) **Emplee únicamente los acumuladores previstos para la herramienta eléctrica.** El uso de otro tipo de acumuladores puede provocar daños e incluso un incendio.
- c) **Si no utiliza el acumulador, guárdelo separado de clips, monedas, llaves, clavos, tornillos o demás objetos metálicos que pudieran puentear sus contactos.** El cortocircuito de los contactos del acumulador puede causar quemaduras o un incendio.
- d) **La utilización inadecuada del acumulador puede provocar fugas de líquido. Evite el contacto con él. En caso de un contacto accidental enjuagar el área afectada con abundante agua. En caso de un contacto con los ojos recurra además inmediatamente a un médico.** El líquido del acumulador puede irritar la piel o producir quemaduras.

6) SERVICIO

- a) **Únicamente haga reparar su herramienta eléctrica por un profesional, empleando exclusivamente piezas de repuesto originales.** Solamente así se mantiene la seguridad de la herramienta eléctrica.

INSTRUCCIONES DE SEGURIDAD PARA TALADROS/ ATORNILLADORES SIN CABLE

- Evite los daños que puedan causar los tornillos, clavos y otros objetos sobre la pieza de trabajo; retírelos antes de empezar a trabajar
- Compruebe siempre que la tensión de alimentación es la misma que la indicada en la placa de características del cargador
- En caso de un mal funcionamiento eléctrico o mecánico se debe parar inmediatamente la herramienta o desenchufar el cargador de la red
- SKIL únicamente puede garantizar un funcionamiento correcto de la herramienta al emplear accesorios originales
- Utilice únicamente accesorios cuyo límite de revoluciones permitido sea como mínimo igual a las revoluciones en vacío máximas de la herramienta
- La herramienta/el cargador no está pensada/o para ser utilizado/a por personas (incluidos niños) con capacidades físicas, sensoriales o mentales disminuidas o falta de experiencia y conocimientos, a menos que estén bajo la supervisión o instrucciones relativas al uso de la herramienta/del cargador por parte de una persona responsable de su seguridad
- Asegúrese de que los niños no jueguen con la herramienta/el cargador
- **Asegure la pieza de trabajo** (una pieza de trabajo fijada con unos dispositivos de sujeción o en un tornillo de banco, se mantiene sujeta de forma mucho más segura que con la mano)
- **Sujete la herramienta eléctrica por las superficies de agarre aisladas al realizar trabajos en los que el accesorio o el tornillo pueda tocar conductores eléctricos ocultos o el propio cable** (el contacto con conductores bajo tensión puede hacer que las partes metálicas de la herramienta eléctrica le provoquen una descarga eléctrica)
- **Utilice aparatos de detección adecuados para localizar posibles conductores o tuberías ocultas, o consulte a su compañía abastecedora** (el contacto con conductores eléctricos puede provocar una descarga eléctrica e incluso un incendio; al dañar una tubería de gas puede producirse una explosión; la perforación de una tubería de agua pueden causar daños materiales o una descarga eléctrica)
- **No trabaje materiales que contengan amianto** (el amianto es cancerígeno)
- El polvo del material, como por ejemplo la pintura que contiene plomo, algunas especies de madera, minerales y metal podrían ser dañinos (el contacto o inhalación del polvo podría producir reacciones alérgicas y/o trastornos respiratorios al operador u otras personas cerca); **utilice una máscara contra el polvo y trabaje con un dispositivo de extracción de polvo cuando lo conecte**

- Ciertos tipos de polvo están catalogados como cancerígenos (por ejemplo el polvo de roble y de haya) especialmente junto con aditivos para el acondicionamiento de la madera; **utilice una máscara contra el polvo y trabaje con un dispositivo de extracción de polvo cuando lo conecte**
- Siga la normativa nacional en cuanto a extracción de polvo, en función de los materiales que vayan a ser utilizados
- Cerciorarse de que el interruptor B (2) está en la posición central (posición de bloqueo) antes de realizar ajustes en la herramienta o un cambio de accesorios así como para el transporte o para guardar la herramienta

RECARGA/BATERÍAS

- Recargue la batería únicamente con el cargador suministrado
- No toque los terminales del cargador
- No exponga la herramienta/cargador/batería a la lluvia
- Guarde la herramienta/cargador/batería en un lugar donde la temperatura no exceda los 40°C ni baje de 0°C
- No recargue la batería en entornos húmedos
- Las baterías estallarán si se tiran al fuego, por ningún motivo caliente las baterías
- No utilice el cargador si está dañado; llévelo a uno de los servicios técnicos autorizados de SKIL para hacer el examen de seguridad
- No utilice el cargador cuando el cable o la clavija estén dañados; el cable o la clavija deben cambiarse inmediatamente en uno de los servicios técnicos autorizados de SKIL
- Nunca utilice la batería estropeada; debe de ser cambiada inmediatamente
- No desarme el cargador o la batería
- No intente recargar las baterías no recargables con el cargador

EXPLICACIÓN DE LOS SÍMBOLOS DEL CARGADOR/ BATERÍA

- ③ Lea el manual de instrucciones antes de utilizarla
- ④ Sólo utilice el cargador dentro de la casa
- ⑤ Doble aislamiento (no requiere cable de tierra)
- ⑥ Una polaridad incorrecta en la conexión del cargador podría causar daños (sólo cargue la batería con el cargador suministrado)
- ⑦ Apagado automático cuando el cargador se calienta (se funde el fusible térmico y el cargador no se puede utilizar)
- ⑧ No deseche el cargador junto con los residuos domésticos
- ⑨ No deseche la batería junta con los residuos domésticos

USO

- Recargue de la batería (10)
 - la batería de herramientas nuevas no está completamente cargada
 - enchufar el cargador a la red de la forma ilustrada
 - introduzca la batería en el cargador
 - la luz roja H se enciende indicando que se está cargando la batería
 - la luz roja H permanecerá encendida mientras la batería esté conectada al cargador y el cargador conectado a la toma de corriente de pared

! retire la batería del cargador después de que se haya cumplido el tiempo de recarga; con ello se prolonga la vida útil de la batería

IMPORTANTE:

- al cabo de 3 horas se ha finalizado la operación de recarga y la batería puede ser utilizada
- mientras esté cargando, el cargador y la batería pueden calentarse demasiado; esto es normal y no representa un problema
- asegúrese de que la superficie exterior de la batería esté limpia y seca antes de insertarla en el cargador
- no recargue las baterías a temperaturas por debajo de 0°C o por encima de 45°C; puede dañar seriamente la batería y el cargador
- no desconecte la batería de la herramienta mientras ésta esté en marcha
- ! una batería nueva o que no haya sido usada durante largo tiempo alcanza su plena potencia después de aproximadamente 5 ciclos de carga/ descarga**
- no recargue la batería repetidamente después del uso por algunos minutos; a consecuencia de esto se puede reducir la potencia de la batería
- si usted prevee largos periodos de inactividad de la herramienta, sería conveniente desenchufar el cargador de la red
- Conexión/desconexión (11)
- Control de velocidad para un arranque suave (12)
- Inversión de la dirección de giro (13)
 - si el inversor de giro no está adecuadamente colocado en la posición izquierda/derecha, el interruptor A (2) no podrá ser activado
- ! sólo invierta la dirección de giro cuando la herramienta esté completamente parada**
- Cambio de brocas (14)
 - introduzca la broca lo más profundo posible dentro del portabrocas
- ! no utilice brocas con un mago deteriorado**
- Control del par de apriete (VariTorque) (15)
 - el par de apriete puesto se aumentará cuando el anillo de embrague D será cambiado de la posición 1 al 5; en la posición E el portabrocas está bloqueado para permitir tareas duras de taladrado o atornillado
 - al apretar un tornillo, empiece a utilizar VariTorque en la posición 1 y vaya aumentando hasta alcanzar la profundidad deseada
- Sujeción y manejo de la herramienta (16)
 - ! durante el trabajo, sujete siempre la herramienta por la(s) zona(s) de empuñadura de color gris**
 - mantenga las ranuras de ventilación F (2) descubiertas
 - no ejerza demasiada presión en la herramienta; deje que la herramienta haga su trabajo

CONSEJOS DE APLICACIÓN

- Utilice las brocas adecuadas (17)
 - ! utilice únicamente brocas afiladas**
- Al taladrar metales ferrosos
 - pretaladre antes un agujero pequeño
 - lubrique de cuando en cuando la broca con aceite
- Taladrar de antemano un agujero para poder atornillar en/cerca o al lado de la madera para prevenir la rotura de ésta

- Para un uso óptimo de su herramienta es necesaria una presión constante sobre el tornillo ante todo en la extracción del mismo
- Cuando atornille en madera dura realice un pequeño agujero previamente
- Taladrar sin virutas en madera ⁽¹⁸⁾
- Taladrado sin polvo en paredes ⁽¹⁹⁾
- Taladrado sin polvo en techos ⁽²⁰⁾
- Taladrado en azulejos sin resbalar ⁽²¹⁾
- Para más consejos vea www.skil.com

MANTENIMIENTO / SERVICIO

- Esta herramienta no está concebida para uso profesional
- Mantenga su herramienta y el cargador limpios
 - limpie los contactos del cargador con alcohol o con la solución Contact Clear
- ! **antes de limpiar el cargador desenchufarlo de la red**
- Si a pesar de los esmerados procesos de fabricación y control, la herramienta/el cargador llegase a averiarse, la reparación deberá encargarse a un servicio técnico autorizado para herramientas eléctricas SKIL
 - envíe la herramienta o el cargador **sin desmontar** junto con una prueba de su compra a su distribuidor o a la estación de servicio más cercana de SKIL (los nombres así como el despice de piezas de la herramienta figuran en www.skil.com)
 - si el cargador está defectuoso, envíe **el cargador y la batería** a su distribuidor o a la estación de servicio de SKIL

AMBIENTE

- **No deseche las herramientas eléctricas, los accesorios y embalajes junto con los residuos domésticos** (sólo para países de la Unión Europea)
 - de conformidad con la Directiva Europea 2012/19/CE sobre residuos de aparatos eléctricos y electrónicos y su aplicación de acuerdo con la legislación nacional, las herramientas eléctricas cuya vida útil haya llegado a su fin se deberán recoger por separado y trasladar a una planta de reciclaje que cumpla con las exigencias ecológicas
 - símbolo ⁽⁸⁾ llamará su atención en caso de necesidad de tirarlas
- La batería debe alejarse del medio ambiente y no considerarla como un residuo doméstico normal (símbolo ⁽⁹⁾ llamará su atención en caso de necesidad de tirarla)
 - ! **es prioritario disponer de terminales protectores de baterías para evitar un corto circuito**

DECLARACIÓN DE CONFORMIDAD CE

Taladradora/atornilladora sin cable 2395

Datos técnicos ⁽¹⁾

- Declaramos bajo nuestra sola responsabilidad que el producto descrito bajo "Datos técnicos" está en conformidad con las normas o documentos normalizados siguientes: EN 60745 (herramienta), EN 60335 (cargador), EN 61000, EN 55014, de acuerdo con las disposiciones en las directivas 2006/42/CE, 2014/35/UE, 2014/30/UE, 2011/65/UE

- **Expediente técnico en:** SKIL Europe BV (PT-SEU/ENG1), 4825 BD Breda, NL

Marijn van der Hoofden
Operations & Engineering

Olaf Dijkgraaf
Approval Manager




SKIL Europe BV, 4825 BD Breda, NL

21.10.2014

RUIDOS/VIBRACIONES

- Medido según EN 60745 el nivel de la presión acústica de esta herramienta se eleva a <70 dB(A) (desviación estándar: 3 dB) y la vibración a * m/s² (método brazo-mano; incertidumbre K = 1,5 m/s²)
 - * al taladrar en metal <2,5 m/s²
 - * al atornillar <2,5 m/s²
- El nivel de emisión de vibraciones ha sido medido según una prueba estándar proporcionada en EN 60745; puede utilizarse para comparar una herramienta con otra y como valoración preliminar de la exposición a las vibraciones al utilizar la herramienta con las aplicaciones mencionadas
 - al utilizarla para distintas aplicaciones o con accesorios diferentes o con un mantenimiento deficiente, podría **augmentar** de forma notable el nivel de exposición
 - en las ocasiones en que se apaga la herramienta o cuando está funcionando pero no está realizando ningún trabajo, se podría **reducir** el nivel de exposición de forma importante
- ! **protéjase contra los efectos de la vibración realizando el mantenimiento de la herramienta y sus accesorios, manteniendo sus manos calientes y organizando sus patrones de trabajo**



P

Berbequim/ aparafusadora sem fio

2395

INTRODUÇÃO

- A ferramenta é determinada para furar em madeira, metal, tijolos, pedras, cerâmica e plástico; ferramentas com regulação electrónica da velocidade e marcha a direita/esquerda também são apropriadas para aparafusar e cortar roscas
- Esta ferramenta não se destina a utilização profissional
- Leia e guarde este manual de instruções ⁽³⁾

DADOS TÉCNICOS ⁽¹⁾

Máx. binário de aparafusamento duro conforme ISO 5393 : 26 Nm

ELEMENTOS DA FERRAMENTA ②

- A Interruptor para ligar/desligar e regulação da velocidade
- B Comutador para inverter o sentido da rotação
- C Bucha sem chave
- D Anel para regulação do aperto
- E Posição de fixação (embraiagem)
- F Aberturas de ventilação
- G Carregador
- H Luz do carregador vermelha

SEGURANÇA

INSTRUÇÕES DE SEGURANÇA GERAIS

⚠ ATENÇÃO! Devem ser lidas todas as indicações de advertência e todas as instruções. O desrespeito das advertências e instruções apresentadas abaixo pode causar choque eléctrico, incêndio e/ou graves lesões. **Guarde bem todas as advertências e instruções para futura referência.** O termo “ferramenta eléctrica” utilizado a seguir nas indicações de advertência, refere-se a ferramentas eléctricas operadas com corrente de rede (com cabo de rede) e a ferramentas eléctricas operadas com acumulador (sem cabo de rede).

1) SEGURANÇA DA ÁREA DE TRABALHO

- a) **Mantenha a sua área de trabalho limpa e arrumada.** Desordem ou áreas de trabalho com fraca iluminação podem causar acidentes.
- b) **Não trabalhar com a ferramenta eléctrica em áreas com risco de explosão, nas quais se encontrem líquidos, gases ou pós inflamáveis.** Ferramentas eléctricas produzem faíscas que podem provocar a ignição de pó e vapores.
- c) **Mantenha crianças e outras pessoas afastadas da ferramenta eléctrica durante o trabalho com a ferramenta.** Distrações podem causar a falta de controle sobre o aparelho.

2) SEGURANÇA ELÉCTRICA

- a) **A ficha da ferramentas eléctricas devem caber na tomada. A ficha não deve ser modificada de modo algum. Não utilize quaisquer fichas de adaptação junto com ferramentas eléctricas ligadas à terra.** Fichas sem modificações e tomadas adequadas reduzem o risco de choques eléctricos.
- b) **Evite que o corpo entre em contacto com superfícies ligadas à terra, como por exemplo tubos, radiadores, fogões e geladeiras.** Há um risco elevado de choques eléctricos, caso o corpo for ligado à terra.
- c) **A ferramenta eléctrica não deve ser exposta à chuva nem humidade.** A penetração de água na ferramenta eléctrica aumenta o risco de choques eléctricos.
- d) **O cabo do aparelho não deve ser utilizado para o transporte, para pendurar o aparelho, nem para puxar a ficha da tomada. Mantenha o cabo afastado de calor, óleo, cantos afiados ou partes em**

movimento do aparelho. Cabos danificados ou torcidos aumentam o risco de choques eléctricos.

- e) **Ao trabalhar com a ferramenta eléctrica ao ar livre, use um cabo de extensão apropriado para áreas externas.** O uso de um cabo apropriado para áreas externas reduz o risco de choques eléctricos.
 - f) **Se não for possível evitar o funcionamento da ferramenta eléctrica em áreas húmidas, deverá ser utilizado um disjuntor de corrente de avaria.** A utilização de um disjuntor de corrente de avaria reduz o risco de um choque eléctrico.
- #### 3) SEGURANÇA DE PESSOAS
- a) **Esteja alerta, observe o que está a fazer, e tenha prudência ao trabalhar com a a ferramenta eléctrica. Não use a ferramenta eléctrica se estiver fatigado ou sob a influência de drogas, álcool ou medicamentos.** Um momento de falta de atenção durante a operação da ferramenta eléctrica pode causar graves lesões.
 - b) **Utilizar equipamento de protecção pessoal sempre óculos de protecção.** A utilização de equipamento de protecção pessoal, como máscara de protecção contra pó, sapatos de segurança antiderrapantes, capacete de segurança ou protecção auricular, de acordo com o tipo e aplicação da ferramenta eléctrica, reduz o risco de lesões.
 - c) **Evitar uma colocação em funcionamento involuntária. Assegure-se de que a ferramenta eléctrica esteja desligada, antes de conectá-la à alimentação de rede e/ou ao acumulador, antes de levantá-la ou de transportá-la.** Se tiver o dedo no interruptor ao transportar a ferramenta eléctrica ou se o aparelho for conectado à alimentação de rede enquanto estiver ligado, poderão ocorrer acidentes.
 - d) **Remover chaves de ajustes ou chaves de fenda, antes de ligar a ferramenta eléctrica.** Uma chave de fenda ou chave de ajuste que se encontre numa parte móvel do aparelho, pode levar a lesões.
 - e) **Não se sobrestime. Mantenha uma posição firme e mantenha sempre o equilíbrio.** Desta forma poderá ser mais fácil controlar o aparelho em situações inesperadas.
 - f) **Use roupa apropriada. Não use roupa larga ou jóias. Mantenha o cabelo, roupa e luvas afastadas de partes em movimento.** Roupas largas, jóias ou cabelos longos podem ser agarradas por partes em movimento.
 - g) **Se for prevista a montagem de dispositivos de aspiração de pó e de dispositivos de recolha, assegure-se de que estão conectados e que sejam utilizados de forma correcta.** A utilização de uma aspiração de pó pode reduzir o perigo devido ao pó.
- #### 4) USO E TRATAMENTO DE FERRAMENTAS ELÉCTRICAS
- a) **Não sobrecarregue a ferramenta eléctrica. Use para o seu trabalho a ferramenta eléctrica correcta.** A ferramenta correcta realizará o trabalho de forma melhor e mais segura dentro da faixa de potência indicada.
 - b) **Não utilize a ferramenta eléctrica se o interruptor não puder ser ligado nem desligado.** Qualquer ferramenta eléctrica que não possa ser controlada através do interruptor de ligar-desligar, é perigosa e deve ser reparada.

- c) **Puxar a ficha da tomada e/ou remover o acumulador antes de executar ajustes na ferramenta, de substituir acessórios ou de guardar a ferramenta.**

Esta medida de segurança de evita que a ferramenta eléctrica seja ligada acidentalmente.

- d) **Guarde ferramentas eléctricas que não estiverem sendo utilizadas, for a do alcance de crianças. Não permita que o aparelho seja utilizado por pessoas não familiarizadas com o mesmo ou que não tenham lido estas instruções.** Ferramentas eléctricas são perigosas nas mãos de pessoas sem treinamento.

- e) **Trate a sua ferramenta eléctrica com cuidado. Verifique se as partes móveis do aparelho funcionam perfeitamente e não emperram, se há peças quebradas ou danificadas, que possam influenciar o funcionamento do aparelho. Peças danificadas devem ser reparadas antes da utilização do aparelho.** Muitos acidentes tem como causa uma manutenção insuficiente das ferramentas eléctricas.

- f) **Mantenha as ferramentas de corte sempre afiadas e limpas.** Ferramentas de cortes devidamente tratadas, com cantos afiados travam com menos frequência e podem ser controladas com maior facilidade.

- g) **Use a ferramenta eléctrica, os acessórios os bits da ferramenta etc., de acordo com estas instruções. Considere também as condições de trabalho e o trabalho a ser efectuado.** A utilização da ferramenta eléctrica para outros fins que os previstos, pode resultar em situações perigosas.

5) USO E TRATAMENTO DE APARELHOS COM ACUMULADOR

- a) **Apenas deverá carregar em carregadores, acumuladores recomendados pelo fabricante.** Um carregador que é apropriado para um tipo de acumulador, pode causar um incêndio se se for utilizado para carregar outros acumuladores.

- b) **Apenas utilize nas ferramentas eléctricas os acumuladores previstos.** A utilização de outros acumuladores pode levar a lesões e riscos de incêndio.

- c) **Quando o acumulador não estiver em uso, mantenha-o afastado de outros objectos de metal, como por exemplo agrafos, moedas, chaves, pregos, parafusos, ou outros pequenos objectos metálicos que possam ligar em ponte os contactos.** Um curto circuito entre os contactos do acumulador pode causar queimaduras ou incêndio.

- d) **Aplicações inadequadas podem provocar fugas do líquido do acumulador. Evite o contacto com este líquido. No caso de um contacto accidental, lave imediatamente com água fresca. Se o líquido entrar em contacto com os olhos, procure um auxílio médico.** O líquido que escapa do acumulador pode levar a irritações ou queimaduras da pele.

6) SERVIÇO

- a) **A sua ferramenta eléctrica só deve ser reparada por pessoal qualificado e só devem ser colocadas peças sobressalentes originais.** Desta forma é assegurada a segurança da ferramenta eléctrica.

INSTRUÇÕES DE SEGURANÇA PARA APARAFUSADORAS/BERBEQUIMS SEM FIO

- Evite danificar a ferramenta em superfícies com pregos ou parafusos; remova-os antes de começar a trabalhar
- Certifique-se sempre de que a tensão de alimentação está de acordo com a tensão indicada na placa de identificação do carregador
- Em caso de anomalias eléctricas ou mecânicas, desligue imediatamente a ferramenta ou desligue o carregador da fonte de corrente
- A SKIL só pode garantir um funcionamento perfeito da ferramenta, quando utilizada com os acessórios originais
- Utilize apenas acessórios com um número de rotação admissível no mínimo tão alto como o mais alto número de rotação em vazio da ferramenta
- A ferramenta/o carregador não deve ser utilizada/o por pessoas (incluindo crianças) com deficiências físicas, sensoriais ou mentais, ou falta de experiência e conhecimentos, excepto se tiverem supervisão ou receberem instrução relacionada com a utilização da ferramenta/do carregador por uma pessoa responsável pela sua segurança
- Certifique-se de que as crianças não brincam com a ferramenta/o carregador
- **Fixe a peça de trabalho** (uma peça de trabalho fixa com dispositivos de fixação ou num torno fica melhor fixa do que manualmente)
- **Segurar a ferramenta eléctrica pelas superfícies de punho isoladas ao executar trabalhos durante os quais o acessório ou o parafuso possam atingir cabos eléctricos escondidos ou o próprio cabo de rede** (o contacto com um cabo sob tensão também pode colocar sob tensão as peças metálicas do aparelho e levar a um choque eléctrico)
- **Utilizar detectores apropriados para detectar tubos e cabos de alimentação escondidos, ou consulte a firma de alimentação local** (o contacto com um cabo eléctrico pode levar a um incêndio e choque eléctrico; a danificação de um cano de gás pode levar à explosão; a penetração de uma tubulação de água provoca danos materiais ou pode provocar um choque eléctrico)
- **Não processar material que contenha asbesto** (asbesto é considerado como sendo cancerígeno)
- O pó do material, como tinta com chumbo, algumas espécies de madeira, minerais e metais, pode ser prejudicial (contacto ou inalação do pó pode provocar reacções alérgicas e/ou doenças respiratórias ao operador ou às pessoas presentes); **use máscara respiratória e trabalhe com um dispositivo de extracção de pó quando ligado a**
- Determinados tipos de pó são classificados como substâncias cancerígenas (como pó de carvalho e faia), em especial, juntamente com aditivos para acondicionamento da madeira; **use máscara respiratória e trabalhe com um dispositivo de extracção de pó quando ligado a**
- Siga o regulamento nacional quanto a extração de pó, em função dos materiais que vão ser utilizados
- Assegure-se que o comutador B ② está na posição intermédia (de bloqueado) antes de efectuar ajustes na

ferramenta ou substituir acessórios assim como quando transportar ou armazenar a ferramenta

CARGA/BATERIAS

- Recarregue a bateria só com o carregador que é fornecido com a ferramenta
- Não toque nos terminais do carregador
- Não exponha a ferramenta/carregador/bateria à chuva
- Guarde a ferramenta/carregador/bateria em locais onde a temperatura não exceda os 40°C ou baixe os 0°C
- Não carregue a bateria em locais molhados ou húmidos
- As baterias explodirão quando colocadas num fogo, por isso, não queime as baterias por nenhum motivo
- Não utilize o carregador se estiver danificado; leve-o a um dos Postos de Assistência autorizados SKIL para proceder a um teste
- Não utilize o carregador caso o fio ou tomada estejam danificados; quer o fio, quer a tomada deverão ser imediatamente substituídos num dos Postos de Assistência autorizados SKIL
- Não utilize baterias danificadas; devem ser substituídas imediatamente
- Não desmonte o carregador ou a bateria
- Não tente recarregar baterias não recarregáveis com o carregador

EXPLICAÇÃO DOS SÍMBOLOS DO CARREGADOR/BATERIA

- ③ Leia o manual de instruções antes de utilizar o equipamento
- ④ Utilize apenas o carregador dentro de casa
- ⑤ Isolamento duplo (nenhum fio de terra necessário)
- ⑥ A polaridade incorrecta da ligação do carregador pode provocar perigo (carregue a bateria apenas com o carregador fornecido)
- ⑦ Encerramento automático quando o carregador ficar muito quente (o fusível térmico rebenta e o carregador fica inutilizado)
- ⑧ Não deite o carregador no lixo doméstico
- ⑨ Não deite a bateria no lixo doméstico

MANUSEAMENTO

- Recarga da bateria ⑩
 - a bateria das ferramentas novas não está totalmente carregada
 - ligar o carregador à fonte de corrente como ilustrado
 - introduza a bateria no carregador
 - a luz vermelha H acende a indicar que a bateria está a ser carregada
 - a luz vermelha H permanece ligada enquanto a bateria estiver ligada ao carregador e o carregador estiver na tomada de parede
- ! **desligue a bateria do carregador, após do período de carga ter terminado, para poder, assim, prolongar a duração da bateria**

IMPORTANTE:

- após 3 horas de carga a operação estará completa e a bateria pode ser utilizada
- durante a carga o carregador e bateria poderão aquecer; isto é normal e não representa um problema
- assegure-se de que a superfície exterior da bateria está limpa e seca antes de a colocar no carregador

- não carregue a bateria abaixo dos 0°C e acima dos 45°C; isso danificará seriamente a bateria e o carregador
- não desligue a bateria da ferramenta enquanto ela estiver a trabalhar
- ! **uma bateria nova ou uma que não foi utilizada por muito tempo, apenas alcança a sua plena potência após aproximadamente 5 ciclos de carga/descarga**
- não recarregue repetidas vezes a bateria após apenas alguns minutos de uso; isto poderá resultar numa redução do tempo de trabalho e eficiência da bateria
- se prever não utilizar a ferramenta por um longo período, deverá desligar o carregador da fonte de corrente
- Ligar/desligar ⑪
- Regulação da velocidade para arranque suave ⑫
- Inversão do sentido da rotação ⑬
 - quando não forem correctamente reguladas as posições esquerda/direita, o interruptor A ② não será accionado
- ! **inverte o comutador do sentido de rotação apenas quando a ferramenta desligada**
- Substituição de pontas ⑭
 - empurre a ponta o mais profundamente possível na bucha
 - ! **não utilize pontas com encabadouros danificados**
- Regulação do aperto (VariTorque) ⑮
 - o aperto de saída aumentará logo que o anel de embraiagem D for movido de 1 para 5; a posição E bloqueará a embraiagem para permitir furar ou aparafusar em trabalhos pesados
 - quando apertar um parafuso, comece usando VariTorque na posição 1 aumentando em seguida até a profundidade desejada
- Segurar e guiar a ferramenta ⑯
 - ! **durante o trabalho, segure sempre a ferramenta na(s) área(s) de fixação cinzenta(s)**
 - mantenha as aberturas de ventilação F ② destapadas
 - não exerça demasiada pressão na ferramenta; deixe a ferramenta trabalhar espontaneamente



CONSELHOS DE APLICAÇÃO

- Utilize as pontas apropriadas ⑰
 - ! **utilize apenas pontas com pontas afiadas**
- Quando perfurar metais ferrosos
 - faça primeiro um pequeno furo se necessitar abrir um furo maior
 - lubrifique frequentemente a broca com óleo adequado
- Quando apertar um parafuso num rebordo de madeira, ou perto dele, deverá primeiro perfurar, a fim de evitar que a madeira estale
- Para uma perfeita utilização da ferramenta é necessário efectuar uma pressão contínua sobre o parafuso, especialmente quando do desaparafusamento
- Quando aparafusar em madeira dura é preciso preforar orifício
- Perfuração anti estilhaço em madeira ⑱
- Perfuração sem pó em paredes ⑲
- Perfuração sem pó em tectos ⑳
- Perfuração em cerâmica sem derrapagens ㉑
- Para mais sugestões consulte www.skil.com

MANUTENÇÃO / SERVIÇO

- Esta ferramenta não se destina a utilização profissional
- Mantenha a ferramenta e carregador limpos
 - limpe os contactos do carregador com álcool ou produto de limpeza de contactos
- ! **desligue o carregador da fonte de corrente antes de limpar**
- Se a ferramenta/o carregador falhar apesar de cuidadosos processos de fabricação e de teste, a reparação deverá ser executada por uma oficina de serviço autorizada para ferramentas eléctricas SKIL
 - envie a ferramenta ou o carregador, **sem desmontar**, juntamente com a prova de compra, para o seu revendedor ou para o centro de assistência SKIL mais próximo (os endereços assim como a mapa de peças da ferramenta estão mencionados no www.skil.com)
 - em caso de avaria do carregador, envie o **carregador e a bateria** para o seu revendedor ou o centro de assistência SKIL

AMBIENTE

- **Não deite ferramentas eléctricas, acessórios e embalagem no lixo doméstico** (apenas para países da UE)
 - de acordo com a directiva europeia 2012/19/CE sobre ferramentas eléctricas e electrónicas usadas e a transposição para as leis nacionais, as ferramentas eléctricas usadas devem ser recolhidas em separado e encaminhadas a uma instalação de reciclagem dos materiais ecológica
 - símbolo  lhe avisará em caso de necessidade de arranjar-las
- E preciso afastar a bateria do ambiente natural e não têm que ser considerada como aparas domésticas normais (símbolo  lhe avisará em caso de necessidade de arranjar-las)
- ! **proteja os terminais da bateria com fita isoladora antes de a expor de modo a evitar curto-circuitos**

DECLARAÇÃO DE CONFORMIDADE CE

Berbequim/aparafusadora sem fio 2395

Dados técnicos ①

- Declaramos sob nossa exclusiva responsabilidade que o produto descrito em "Dados técnicos" cumpre as seguintes normas ou documentos normativos: EN 60745 (ferramenta), EN 60335 (carregador), EN 61000, EN 55014, conforme as disposições das directivas 2006/42/CE, 2014/35/UE, 2014/30/UE, 2011/65/UE
- **Processo técnico em:** SKIL Europe BV (PT-SEU/ENG1), 4825 BD Breda, NL

Marijn van der Hoofden
Operations & Engineering

Olaf Dijkgraaf
Approval Manager

SKIL Europe BV, 4825 BD Breda, NL

21.10.2014

RUIDO/VIBRAÇÕES

- Medido segundo EN 60745 o nível de pressão acústica desta ferramenta é <70 dB(A) (espaço de erro: 3 dB) e a vibração * m/s² (método braço-mão; incerteza K = 1,5 m/s²)
 - * ao perfurar em metal <2,5 m/s²
 - * ao aparafusar <2,5 m/s²
- O nível de emissão de vibrações foi medido de acordo com um teste normalizado fornecido na EN 60745; pode ser utilizado para comparar uma ferramenta com outra e como uma avaliação preliminar de exposição à vibração quando utilizar a ferramenta para as aplicações mencionadas
 - utilizar a ferramenta para diferentes aplicações ou com acessórios diferentes ou mantidos deficientemente, pode **umentar** significativamente o nível de exposição
 - o número de vezes que a ferramenta é desligada ou quando estiver a trabalhar sem fazer nada, pode **reduzir** significativamente o nível de exposição
- ! **proteja-se contra os efeitos da vibração, mantendo a ferramenta e os acessórios, mantendo as mãos quentes e organizando os padrões de trabalho**



Trapano avvitatore a batteria 2395

INTRODUZIONE

- L'utensile è idoneo per l'esecuzione di forature nel legname, nel metallo, in mattoni, nel materiale minerale, nella ceramica e nelle materie plastiche; utensili con regolazione elettronica della velocità e funzionamento reversibile sono adatte anche per avvitare e per tagliare filettature
- Questo utensile non è inteso per un uso professionale
- Leggete e conservate questo manuale di istruzione ③

DATI TECNICI ①

Mass. momento di coppia avvitamento di giunti rigidi conforme alla norma ISO 5393 : 26 Nm

ELEMENTI UTENSILE ②

- A** Interruttore di accensione/spengimento e regolazione della velocità
- B** Commutatore per l'inversione del senso di rotazione
- C** Mandrino autoserrante
- D** Anello di controllo della coppia
- E** Posizione di blocco (frizione)
- F** Feroite di ventilazione
- G** Caricabatteria
- H** Spia di ricarica rossa

SICUREZZA

ISTRUZIONI GENERALI DI SICUREZZA

ATTENZIONE! Leggere tutte le avvertenze di pericolo e le istruzioni operative. In caso di mancato rispetto delle avvertenze di pericolo e delle istruzioni

operative si potrà creare il pericolo di scosse elettriche, incendi e/o incidenti gravi. **Conservare tutte le avvertenze di pericolo e le istruzioni operative per ogni esigenza futura.** Il termine "elettroutensile" utilizzato nelle avvertenze di pericolo si riferisce ad utensili elettrici alimentati dalla rete (con linea di allacciamento) ed ad utensili elettrici alimentati a batteria (senza linea di allacciamento).

1) SICUREZZA DELLA POSTAZIONE DI LAVORO

- a) **Mantenere pulito ed ordinato il posto di lavoro.** Il disordine o le zone di lavoro non illuminate possono essere fonte di incidenti.
- b) **Evitare d'impiegare l'utensile in ambienti soggetti al rischio di esplosioni nei quali si trovino liquidi, gas o polveri infiammabili.** Gli utensili elettrici producono scintille che possono far infiammare la polvere o i gas.
- c) **Mantenere lontani i bambini ed altre persone durante l'impiego dell'utensile elettrico.** Eventuali distrazioni potranno comportare la perdita del controllo sull'utensile.

2) SICUREZZA ELETTRICA

- a) **La spina per la presa di corrente dovrà essere adatta alla presa. Evitare assolutamente di apportare modifiche alla spina. Non impiegare spine adattatrici assieme ad utensili con collegamento a terra.** Le spine non modificate e le prese adatte allo scopo riducono il rischio di scosse elettriche.
- b) **Evitare il contatto fisico con superfici collegate a terra, come tubi, riscaldamenti, cucine elettriche e frigoriferi.** Sussiste un maggior rischio di scosse elettriche nel momento in cui il corpo è messo a massa.
- c) **Custodire l'utensile al riparo dalla pioggia o dall'umidità.** L'eventuale infiltrazione di acqua in un utensile elettrico va ad aumentare il rischio d'insorgenza di scosse elettriche.
- d) **Non usare il cavo per scopi diversi da quelli previsti al fine di trasportare o appendere l'utensile, oppure di togliere la spina dalla presa di corrente. Mantenere l'utensile al riparo da fonti di calore, dall'olio, dagli spigoli o da pezzi in movimento.** I cavi danneggiati o aggrovigliati aumentano il rischio d'insorgenza di scosse elettriche.
- e) **Qualora si voglia usare l'utensile all'aperto, impiegare solo ed esclusivamente cavi di prolunga omologati per l'impiego all'esterno.** L'uso di un cavo di prolunga omologato per l'impiego all'esterno riduce il rischio d'insorgenza di scosse elettriche.
- f) **Qualora non fosse possibile evitare di utilizzare l'utensile in ambiente umido, utilizzare un interruttore di messa a terra.** L'uso di un interruttore di messa a terra riduce il rischio di una scossa elettrica.

3) SICUREZZA DELLE PERSONE

- a) **È importante concentrarsi su ciò che si sta facendo e a maneggiare con giudizio l'utensile durante le operazioni di lavoro. Non utilizzare l'utensile in caso di stanchezza o sotto l'effetto di droghe, bevande alcoliche e medicinali.** Un attimo di distrazione durante l'uso dell'utensile potrà causare lesioni gravi.
- b) **Indossare sempre equipaggiamento protettivo individuale. Usare sempre protezioni per gli occhi.** Se si avrà cura d'indossare equipaggiamento protettivo individuale come la maschera antipolvere, la calzatura

antisdrucchiolevole di sicurezza, il casco protettivo o la protezione dell'udito, a seconda dell'impiego previsto per l'utensile elettrico, si potrà ridurre il rischio di ferite.

- c) **Evitare l'accensione involontaria dell'utensile. Prima di collegarlo alla rete di alimentazione elettrica e/o alla batteria ricaricabile, prima di prenderlo oppure prima di iniziare a trasportarlo, assicurarsi che l'utensile sia spento.** Tenendo il dito sopra l'interruttore mentre si trasporta l'utensile oppure collegandolo all'alimentazione di corrente con l'interruttore inserito, si vengono a creare situazioni pericolose in cui possono verificarsi seri incidenti.
 - d) **Togliere gli attrezzi di regolazione o la chiave inglese prima di accendere l'utensile.** Un utensile o una chiave inglese che si trovino in una parte dell'utensile in rotazione potranno causare lesioni.
 - e) **È importante non sopravvalutarsi. Avere cura di mettersi in posizione sicura e di mantenere l'equilibrio.** In tale maniera sarà possibile controllare meglio l'utensile in situazioni inaspettate.
 - f) **Indossare vestiti adeguati. Evitare di indossare vestiti lenti o gioielli. Tenere i capelli, i vestiti ed i guanti lontani da pezzi in movimento.** Vestiti lenti, gioielli o capelli lunghi potranno impigliarsi in pezzi in movimento.
 - g) **Se sussiste la possibilità di montare dispositivi di aspirazione o di captazione della polvere, assicurarsi che gli stessi siano stati installati correttamente e vengano utilizzati senza errori.** L'utilizzo di un'aspirazione polvere può ridurre lo svilupparsi di situazioni pericolose dovute alla polvere.
- ### 4) MANEGGIO ED IMPIEGO ACCURATO DI UTENSILI ELETTRICI
- a) **Non sovraccaricare l'utensile. Impiegare l'utensile elettrico adatto per sbrigare il lavoro.** Utilizzando l'utensile elettrico adatto si potrà lavorare meglio e con maggior sicurezza nell'ambito della gamma di potenza indicata.
 - b) **Non utilizzare utensili elettrici con interruttori difettosi.** Un utensile elettrico che non si può più accendere o spegnere è pericoloso e dovrà essere riparato.
 - c) **Prima di procedere ad operazioni di regolazione sull'utensile, prima di sostituire parti accessorie oppure prima di posare l'utensile al termine di un lavoro, estrarre sempre la spina dalla presa della corrente e/o estrarre la batteria ricaricabile.** Tale precauzione eviterà che l'utensile possa essere messo in funzione inavvertitamente.
 - d) **Custodire gli utensili elettrici non utilizzati al di fuori della portata dei bambini. Non fare usare l'utensile a persone che non sono abituate ad usarlo o che non abbiano letto le presenti istruzioni.** Gli utensili elettrici sono pericolosi se utilizzati da persone inesperte.
 - e) **Effettuare accuratamente la manutenzione dell'utensile. Verificare che le parti mobili dell'utensile funzionino perfettamente e non s'inceppino, che non ci siano pezzi rotti o danneggiati al punto tale da limitare la funzione dell'utensile stesso. Far riparare le parti danneggiate prima d'impiegare l'utensile.** Numerosi

incidenti vengono causati da utensili elettrici la cui manutenzione è stata effettuata poco accuratamente.

- f) **Mantenere affilati e puliti gli utensili da taglio.** Gli utensili da taglio curati con particolare attenzione e con taglianti affilati s'incepiscono meno frequentemente e sono più facili da condurre.
- g) **Utilizzare utensili elettrici, accessori, attrezzi, ecc. in conformità con le presenti istruzioni. Osservare le condizioni di lavoro ed il lavoro da eseguirsi durante l'impiego.** L'impiego di utensili elettrici per usi diversi da quelli consentiti potrà dar luogo a situazioni di pericolo.

5) MANEGGIO ED IMPIEGO ACCURATO DI ACCUMULATORI

- a) **Caricare l'accumulatore solo ed esclusivamente nei dispositivi di carica consigliati dal produttore.** Per un dispositivo di carica previsto per un determinato tipo di accumulatore, sussiste pericolo di incendio, se utilizzato con un accumulatore di tipo diverso.
- b) **Utilizzare negli utensili elettrici solo ed esclusivamente gli accumulatori previsti allo scopo.** L'uso di accumulatori di tipo diverso potrà dare insorgenza a lesioni e comportare il rischio d'incendi.
- c) **Tenere l'accumulatore non utilizzato lontano da graffette, monete, chiavi, chiodi, viti o da altri oggetti in metallo di piccole dimensioni che potrebbero causare un ponte tra i contatti.** Un eventuale corto circuito tra i contatti dell'accumulatore potrà dare origine a bruciature o ad incendi.
- d) **In caso di impiego sbagliato, potranno insorgere fuoriuscite di liquido dall'accumulatore. Evitarne il contatto. In caso di contatto casuale, sciacquare con acqua. Qualora il liquido dovesse entrare in contatto con gli occhi, chiedere immediato consiglio al medico.** Il liquido fuoriuscito dall'accumulatore potrà causare irritazioni cutanee o bruciature.

6) ASSISTENZA

- a) **Fare riparare l'utensile solo ed esclusivamente da personale specializzato e solo impiegando pezzi di ricambio originali.** In tale maniera potrà essere salvaguardata la sicurezza dell'utensile.

ISTRUZIONI DI SICUREZZA PER TRAPANI AVVITATORI A BATTERIA

- Evitate possibili danneggiamenti da viti e chiodi sporgenti; rimuoverli prima di iniziare la lavorazione
- Controllare che la tensione dell'alimentazione sia la stessa di quella indicata sulla targhetta del caricatore
- Nel caso di cattivo funzionamento elettrico o meccanico, spegnete subito l'utensile o staccare il caricatore dalla rete
- La SKIL garantisce un perfetto funzionamento dell'utensile soltanto se vengono utilizzati accessori originali
- Utilizzate solo accessori il cui numero massimo di giri corrisponda almeno al massimo dei numeri di giri dell'utensile
- L'utensile/il caricatore non deve essere usato da persone (compresi i bambini) con ridotte capacità fisiche, sensoriali e mentali o con scarsa esperienza e conoscenza specifiche, a meno che le stesse non operino sotto la supervisione di una persona

responsabile della loro sicurezza o siano state da essa istruite sull'utilizzo dell'utensile/del caricatore

- Assicurarsi che i bambini non giochino con l'utensile/il caricatore
- **Fissare il pezzo da lavorare** (un pezzo in lavorazione rimane bloccato in posizione con maggiore sicurezza se fissato con appositi dispositivi di serraggio o con una morsa e non tenendolo con la mano)
- **Tenere l'elettro utensile per le superfici isolate dell'impugnatura qualora venissero effettuati lavori durante i quali l'accessorio oppure la vite potrebbe venire a contatto con cavi elettrici nascosti oppure con il proprio cavo di rete** (il contatto con un cavo sotto tensione può mettere sotto tensione anche parti metalliche dell'apparecchio, causando una scossa elettrica)
- **Al fine di rilevare possibili linee di alimentazione nascoste, utilizzare adeguate apparecchiature di ricerca oppure rivolgersi alla locale società erogatrice** (un contatto con linee elettriche può provocare lo sviluppo di incendi e di scosse elettriche; danneggiando linee del gas si può creare il pericolo di esplosioni; penetrando una tubazione dell'acqua si provocano seri danni materiali oppure vi è il pericolo di provocare una scossa elettrica)
- **Non lavorare mai materiali contenenti amianto** (l'amianto è ritenuto materiale cancerogeno)
- Le polveri di materiali come vernici contenenti piombo, alcune specie di legno, minerali e metallo possono essere nocive (il contatto con queste polveri o la loro inalazione possono causare reazioni allergiche e/o disturbi respiratori all'operatore o ad altre persone presenti sul posto); **indossare una maschera protettiva per la polvere e utilizzare un dispositivo per l'estrazione della polvere se è presente una presa di collegamento**
- Alcuni tipi di polvere sono classificati come cancerogeni (quali le polveri di quercia e faggio) specialmente se associate ad additivi per il trattamento del legno; **indossare una maschera protettiva per la polvere e utilizzare un dispositivo per l'estrazione della polvere se è presente una presa di collegamento**
- Rispettare le istruzioni nazionali riguardanti l'estrazione della polvere per i materiali in lavorazione
- Assicurarsi che il commutatore B (2) sia in posizione centrale (blocco) prima di regolare l'utensile o sostituire accessori, come pure durante il trasporto o quando si ripone l'utensile

CARICA/BATTERIE

- Caricate la batteria solo con il suo originale caricatore
- Non bisogna toccare i contatti dentro al caricatore
- Non esporre utensile/caricatore/batteria alla pioggia
- Riponete utensile/caricatore/batteria in luoghi ove non si superino i 40°C o si scenda sotto i 0°C
- Non caricare la batteria in ambienti umidi o bagnati
- Le batterie esplodono se gettate nel fuoco, pertanto non bruciare le batterie per alcun motivo
- Non utilizzate il caricatore quando è danneggiato; portarlo ad un centro assistenza autorizzato SKIL per il controllo
- Non utilizzate il caricatore quando il cavo o la spina sono danneggiati; cavo o spina possono essere

immediatamente sostituiti presso un centro assistenza autorizzato SKIL

- Non usate la batteria quando è danneggiata; essa dovrebbe essere sostituita immediatamente
- Non aprire il caricatore o la batteria
- Non tentare di ricaricare le batterie non-ricaricabili con il caricatore

SPIEGAZIONE DEI SIMBOLI PRESENTI SUL CARICATORE/SULLA BATTERIA

- ③ Leggere il manuale di istruzioni prima dell'uso
- ④ Utilizzare il caricatore solo all'interno
- ⑤ Doppio isolamento (non è necessario alcun cavo di terra)
- ⑥ L'errata polarità della connessione del caricatore può costituire un pericolo (caricare la batteria utilizzando esclusivamente il caricatore in dotazione)
- ⑦ Spegnimento automatico in caso di surriscaldamento del caricatore (il fusibile termico si brucia e il caricatore diventa inutilizzabile)
- ⑧ Non gettare il caricatore tra i rifiuti domestici
- ⑨ Non gettare la batteria tra i rifiuti domestici

USO

- Ricarica batteria ⑩
 - la batteria di un utensile nuovo non è completamente carica
 - collegare il caricatore alla rete elettrica come illustrato
 - inserire la batteria nel caricatore
 - la spia rossa H si illuminerà per indicare che la batteria si trova in fase di ricarica
 - la spia rossa H rimarrà accesa per tutto il tempo in cui la batteria è connessa al caricatore, e quest'ultimo alla presa di rete

! estraete la batteria dal caricatore dopo la fine del periodo di carica; con ciò si prolunga la durata della batteria

IMPORTANTE:

- dopo 3 ore l'operazione di ricarica sarà completata e la batteria potrà essere utilizzata
- durante la carica il caricatore e la batteria possono riscaldarsi; il fenomeno è normale e non comporta problemi
- assicurarsi che la superficie esterna della batteria sia pulita e asciutta prima di inserirla nel caricatore
- non ricaricare a temperature sotto i 0°C e sopra i 45°C; altrimenti si danneggeranno seriamente la batteria ed il caricatore
- non estraete mai la batteria dall'utensile mentre questo è in moto

! una batteria nuova o una batteria che non sia stata utilizzata per un lungo periodo di tempo arriva a portare la sua piena prestazione solo dopo circa 5 cicli di ricarica/scarica

- non ricaricate la batteria dopo averlo fatto funzionare per pochi minuti soltanto; ricaricando troppo spesso la batteria si ottiene solo una riduzione del tempo operativo ed una diminuzione del suo rendimento
- se si prevede di non utilizzare l'utensile per un lungo periodo, è opportuno staccare il caricatore dalla rete
- Acceso/spento ⑪
- Regolazione della velocità per un avviamento lento ⑫

- Inversione del senso di rotazione ⑬
 - quando la posizione sinistra/destra non è inserita propriamente l'interruttore A ② non può essere attivato
 - ! invertire il senso di rotazione solo quando l'utensile si è arrestato completamente**
- Cambio delle punte ⑭
 - introdurre la punta il più profondamente possibile nel mandrino
 - ! non utilizzare punte con il gambo danneggiato**
- Controllo della coppia (VariTorque) ⑮
 - da 1 a 5 D viene aumentata la coppia di torsione; la posizione E bloccherà la frizione per permettere lavori pesanti di foratura e avvitatura
 - quando avvitate una vite, prima provare la posizione 1 del VariTorque e incrementarne il valore fino a raggiungere la profondità desiderata
- Tenuta e guida dell'utensile ⑯
 - ! durante la lavorazione, impugna l'utensile sempre in corrispondenza della(e) area(e) grigia(e)**
 - tenere scoperte le feritoie di ventilazione F ②
 - non applicate una pressione eccessiva all'utensile; lasciate che sia l'utensile a lavorare per voi

CONSIGLIO PRATICO



- Usare le punte appropriate ⑰
 - ! usare solo punte affilate**
- Quando le parti da forare sono ferrose
 - preparare un piccolo foro, quando è richiesto un grande foro
 - lubrificare la punta di tanto in tanto con olio
- Quando avvitate una vite in vicinanza dei bordi dell'asse, è preferibile fare un foro precedentemente per evitare le spaccature di legno
- Per un uso ottimale dell'utensile si raccomanda di esercitare una pressione costante sulla vite, soprattutto svitando
- Quando avvitate una vite su legno duro, è preferibile forare un foro precedentemente
- Forature antisceglia nel legno ⑱
- Foratura senza polvere nel muro ⑲
- Foratura senza polvere nel soffitto ⑳
- Foratura di piastrelle senza scivolamento ㉑
- Per altri consigli consultare il sito www.skil.com

MANUTENZIONE / ASSISTENZA

- Questo utensile non è inteso per un uso professionale
- Tenere pulito l'utensile e il caricatore
 - pulire i contatti di ricarica del caricatore con alcool
 - ! prima di pulire staccare il caricatore dalla rete**
- Se nonostante gli accurati procedimenti di produzione e di controllo l'utensile/il caricatore dovesse guastarsi, la riparazione va fatta effettuare da un punto di assistenza autorizzato per gli elettrooutensili SKIL
 - inviare l'utensile o il caricatore **non smontato** assieme alle prove di acquisto al rivenditore oppure al più vicino centro assistenza SKIL (l'indirizzo ed il disegno delle parti di ricambio dell'utensile sono riportati su www.skil.com)

- nel caso in cui il caricatore sia difettoso, inviare **sia il caricatore che la batteria** al rivenditore o al centro assistenza SKIL

TUTELA DELL'AMBIENTE

- **Non gettare l'utensile elettrico, gli accessori e l'imballaggio tra i rifiuti domestici** (solo per paesi UE)
 - secondo la Direttiva Europea 2012/19/CE sui rifiuti di utensili elettrici ed elettronici e la sua attuazione in conformità alle norme nazionali, gli utensili elettrici esausti devono essere raccolti separatamente, al fine di essere reimpiegati in modo eco-compatibile
 - il simbolo  vi ricorderà questo fatto quando dovrete eliminarla
- La batteria può essere mantenuta separata dall'ambiente naturale e non dovrebbe essere scaricata tra i rifiuti domestici (il simbolo  vi ricorderà questo fatto quando dovrete eliminarla)
 - ! **primo di disporle, proteggere i terminali delle batterie con nastro pesante per prevenire cortocircuiti**

DICHIARAZIONE DEI CONFORMITÀ CE

Trapano avvitatore a batteria 2395

Dati tecnici ①

- Assumendone la piena responsabilità, dichiariamo che il prodotto descritto nei "Dati tecnici" è conforme alle seguenti normative ed ai relativi documenti: EN 60745 (utensile), EN 60335 (caricatore), EN 61000, EN 55014 in base alle prescrizioni delle direttive 2006/42/EG, 2014/35/UE, 2014/30/UE, 2011/65/UE
- **Fascicolo tecnico presso:** SKIL Europe BV (PT-SEU/ENG1), 4825 BD Breda, NL

Marijn van der Hoofden
Operations & Engineering

Olaf Dijkgraaf
Approval Manager

SKIL Europe BV, 4825 BD Breda, NL

21.10.2014

RUMOROSITÀ/VIBRAZIONE

- Misurato in conformità al EN 60745 il livello di pressione acustica di questo utensile è <70 dB(A) (deviazione standard: 3 dB) e la vibrazione * m/s² (metodo mano-braccio; incertezza K = 1,5 m/s²)
 - * nella foratura nel metallo <2,5 m/s²
 - * nella avvittatura <2,5 m/s²
- Il livello di emissione delle vibrazioni è stato misurato in conformità a un test standardizzato stabilito dalla norma EN 60745; questo valore può essere utilizzato per mettere a confronto un l'utensile con un altro o come valutazione preliminare di esposizione alla vibrazione quando si impiega l'utensile per le applicazioni menzionate
 - se si utilizza l'utensile per applicazioni diverse, oppure con accessori differenti o in scarse condizioni, il livello di esposizione potrebbe **aumentare** notevolmente

- i momenti in cui l'utensile è spento oppure è in funzione ma non viene effettivamente utilizzato per il lavoro, possono contribuire a **ridurre** il livello di esposizione

! **protegersi dagli effetti della vibrazione effettuando la manutenzione dell'utensile e dei relativi accessori, mantenendo le mani calde e organizzando i metodi di lavoro**

H

Akkumulátoros fúró/csavarozó 2395

BEVEZETÉS

- A készülék fában, fémekben, téglában, kőzetekben, kerámiákban és műanyagokban végzett fúrásra szolgál; az elektronikus sebességszabályozóval és forgásirányításkapcsolóval felszerelt készülékek csavarok be- és kihajtására, valamint menetvágásra is alkalmazhatók
- A szerszám nem professzionális használatra készült
- Olvassa el figyelmesen és őrizze meg a használati utasítást ③

MŰSZAKI ADATOK ①

Maximális forgatónyomaték kemény csavarozásnál az ISO 5393 szerint : 26 Nm

SZERSZÁMGÉP ELEMEI ②

- A Be/Ki kapcsoló és sebességszabályozó
- B A forgásirány változtatására szolgáló kapcsoló
- C Gyorstokmány
- D Forgatónyomaték szabályozó kapcsoló
- E Zárt helyzet (kuplung)
- F Szellőzőnyílások
- G Töltő
- H Vörös töltés fényjelzés

BIZTONSÁG

ÁLTALÁNOS BIZTONSÁGI UTASÍTÁSOK

FIGYELEM! Olvassa el az összes biztonsági figyelmeztetést és előírást. A következőkben leírt előírások betartásának elmulasztása áramütésekhez, tűzhöz és/vagy súlyos testi sérülésekhez vezethet. **Kérjük a későbbi használatra gondosan őrizze meg ezeket az előírásokat.** Az alább alkalmazott elektromos kéziszerszám fogalom a hálózati elektromos kéziszerszámokat (hálózati csatlakozó kábel) és az akkumulátoros elektromos kéziszerszámokat (hálózati csatlakozó kábel nélkül) foglalja magában.

1) MUNKAHELYI BIZTONSÁG

- Tartsa tisztán és tartsa rendben a munkahelyét.**
Rendetlen munkahelyek vagy megvilágítatlan munkaterületek balesetekhez vezethetnek.
- Ne dolgozzon az elektromos kéziszerszámmal olyan robbanásveszélyes környezetben, ahol éghető folyadékok, gázok vagy porok vannak.** Az elektromos

kéziszerszámok szikrákat bocsáthatnak ki, amelyek meggyújthatják a port vagy a gőzöket.

- c) **Tartsa távol a gyerekeket és az idegen személyeket a munkahelytől, ha az elektromos kéziszerszámot használja.** Ha elvonják a figyelmét a munkától, könnyen elvesztheti az uralmát a berendezés felett.

2) ELEKTROMOS BIZTONSÁGI ELŐÍRÁSOK

- a) **A készülék csatlakozó dugójának bele kell illeszkednie a dugaszolóaljzatba. A csatlakozó dugót semmilyen módon sem szabad megváltoztatni. Védőföldeléssel ellátott készülékekkel kapcsolatban ne használjon csatlakozó adaptert.** A változtatás nélküli csatlakozó dugók és a megfelelő dugaszoló aljzatok csökkentik az áramütés kockázatát.
- b) **Ne érjen hozzá földelt felületekhez, mint csövekhez, fűtőtestekhez, kályhákhoz és hűtőszekrényekhez.** Az áramütési veszély megnövekszik, ha a teste le van földelve.
- c) **Tartsa távol az elektromos kéziszerszámot az esőtől és a nedvesség hatásaitól.** Ha víz hatol be egy elektromos kéziszerszámba, ez megnöveli az áramütés veszélyét.
- d) **Ne használja a kábelt a rendeltetésétől eltérő célokra, vagyis a szerszámot soha ne hordozza vagy akassza fel a kábelnél fogva, és soha ne húzza ki a hálózati csatlakozó dugót a kábelnél fogva. Tartsa távol a kábelt hőforrásoktól, olajtól, éles élektől, sarkaktól és mozgó gépalkatrészekről.** Egy megrongálódott vagy csomókkal teli kábel megnöveli az áramütés veszélyét.
- e) **Ha egy elektromos kéziszerszámmal a szabad ég alatt dolgozik, csak a szabadban való használatra engedélyezett hosszabbítót használjon.** A szabadban való használatra engedélyezett hosszabbító használata csökkenti az áramütés veszélyét.
- f) **Ha nem lehet elkerülni az elektromos kéziszerszám nedves környezetben való használatát, alkalmazzon egy földzárlat megszakítót.** Egy földzárlat megszakító alkalmazása csökkenti az áramütés kockázatát.

3) SZEMÉLYI BIZTONSÁGI ELŐÍRÁSOK

- a) **Munka közben mindig figyeljen, ügyeljen arra, amit csinál, és megdölgőn dolgozzon az elektromos kéziszerszámmal. Ha fáradt, ha kábítószerek vagy alkohol hatása alatt áll, vagy orvosságokat vett be, ne használja a berendezést.** A berendezéssel végzett munka közben már egy pillanatnyi figyelmetlenség is komoly sérülésekhez vezethet.
- b) **Viseljen személyi védőfelszerelést és mindig viseljen védőszemüveget.** A személyi védőfelszerelések, mint porvédő álarc, csúszásbiztos védőcipő, védősapka és fülvédő használata az elektromos kéziszerszám használata jellegének megfelelően csökkenti a személyes sérülések kockázatát.
- c) **Kerülje el a készülék akaratlan üzembe helyezését. Győződjön meg arról, hogy az elektromos kéziszerszám ki van kapcsolva, mielőtt bedugná a csatlakozó dugót a dugaszolóaljzatba, csatlakoztatná az akkumulátor-csomagot, és mielőtt felvenné és vinni kezdené az elektromos kéziszerszámot.** Ha az elektromos kéziszerszám felemelése közben az újjat a kapcsolón tartja, vagy ha a

készüléket bekapcsolt állapotban csatlakoztatja az áramforráshoz, ez balesetekhez vezethet.

- d) **Az elektromos kéziszerszám bekapcsolása előtt okvetlenül távolítsa el a beállító szerszámokat vagy csavarkulcsokat.** Az elektromos kéziszerszám forgó részeiben felejtett beállító szerszám vagy csavarkulcs sérüléseket okozhat.
- e) **Ne becsülje túl önmagát. Kerülje el a normálistól eltérő testtartást, ügyeljen arra, hogy mindig biztosan álljon és az egyensúlyát megtartsa.** Így az elektromos kéziszerszám felett váratlan helyzetekben is jobban tud uralkodni.
- f) **Viseljen megfelelő ruhát. Ne viseljen bő ruhát vagy ékszereket. Tartsa távol a haját, a ruháját és a kesztyűjét a mozgó részekről.** A bő ruhát, az ékszereket és a hosszú haját a mozgó alkatrészek magukkal ránthatjaák.
- g) **Ha az elektromos kéziszerszámra fel lehet szerelni a por elszívásához és összegyűjtéséhez szükséges berendezéseket, ellenőrizze, hogy azok megfelelő módon hozzá vannak kapcsolva a készülékhez és rendeltetésüknek megfelelően működnek.** A porgyűjtő berendezések használata csökkenti a munka során keletkező por veszélyes hatását.
- 4) **AZ ELEKTROMOS KÉZISZERSZÁMOK GONDOS KEZELÉSE ÉS HASZNÁLATA**
- a) **Ne terhelje túl az elektromos kéziszerszámot. A munkájához csak az arra szolgáló elektromos kéziszerszámot használja.** Egy alkalmas elektromos kéziszerszámmal a megadott teljesítménytartományon belül jobban és biztonságosabban lehet dolgozni.
- b) **Ne használjon olyan elektromos kéziszerszámot, amelynek a kapcsolója elromlott.** Egy olyan elektromos kéziszerszám, amelyet nem lehet sem be-, sem kikapcsolni, veszélyes és meg kell javíttatni.
- c) **Húzza ki a csatlakozó dugót a dugaszolóaljzattól és/vagy az akkumulátor-csomagot az elektromos kéziszerszámból, mielőtt az elektromos kéziszerszámon beállítási munkákat végez, tartozékokat cserél vagy a szerszámot tárolásra elteszi.** Ez az elővigyázatossági intézkedés megátalja a szerszám akaratlan üzembe helyezését.
- d) **A használaton kívüli elektromos kéziszerszámokat olyan helyen tárolja, ahol azokhoz gyerekek ne férhessenek hozzá. Ne hagyja, hogy olyan személyek használják az elektromos kéziszerszámot, akik nem ismerik a szerszámot, vagy nem olvasták el ezt az útmutatót.** Az elektromos kéziszerszámok veszélyesek, ha azokat gyakorlatlan személyek használják.
- e) **A készüléket gondosan ápolja. Ellenőrizze, hogy a mozgó alkatrészek kifogástalanul működnek-e, nincsenek-e beszorulva, és nincsenek-e eltörve vagy megrongálódva olyan alkatrészek, amelyek hatással lehetnek az elektromos kéziszerszám működésére.** A megrongálódott részeket a készülék használata előtt javíttassa meg. Sok olyan baleset történik, amelyet az elektromos kéziszerszám nem megfelelő karbantartására lehet visszavezetni.
- f) **Tartsa tisztán és éles állapotban a vágószerszámokat.** Az éles vágóélekkel rendelkező és

gondosan ápolat vágószerszámok ritkábban ékelődnek be és azokat könnyebben lehet vezetni és irányítani.

- g) **Az elektromos kéziszerszámokat, tartozékokat, betétszerszámokat stb. csak ezen előírásoknak használja. Vegye figyelembe a munkafeladatokat és a kivitelezendő munka sajátosságait.** Az elektromos kéziszerszám eredeti rendeltetésétől eltérő célokra való alkalmazása veszélyes helyzetekhez vezethet.
- 5) **AZ AKKUMULÁTOROS KÉZISZERSZÁMOK GONDOS KEZELÉSE ÉS HASZNÁLATA**
- a) **Az akkumulátort csak a gyártó által ajánlott töltőkészülékekben töltsse fel.** Ha egy bizonyos akkumulátortípus feltöltésére szolgáló töltőkészülékben egy másik akkumulátort próbál feltölteni, tűz keletkezhet.
- b) **Az elektromos kéziszerszámban csak az ahhoz tartozó akkumulátort használja.** Más akkumulátorok használata személyi sérüléseket és tüzet okozhat.
- c) **Tartsa távol a használaton kívüli akkumulátort irodai kapszoktól, pénzérmeéktől, kulcsoktól, szögektől, csavaroktól és más kisméretű fémtárgyaktól, amelyek áthidalhatják az érintkezőket.** Az akkumulátor érintkezői közötti rövidzárlat égési sérüléseket vagy tüzet okozhat.
- d) **Hibás alkalmazás esetén az akkumulátorból folyadék léphet ki. Kerülje el az érintkezést a folyadékkal. Ha véletlenül mégis érintkezésbe jutott az akkumulátorfolyadékkal, azonnal öblítse le vízzel az érintett felületet. Ha a folyadék a szemébe jutott, keressen fel ezen kívül egy orvost.** A kifelő akkumulátorfolyadék irritációkat vagy égéses bőrsérüléseket okozhat.
- 6) **SZERVIZ**
- a) **Az elektromos kéziszerszámot csak szakképzett személyzet és csak eredeti pótalkatrészek felhasználásával javíthatja.** Ez biztosítja, hogy az elektromos kéziszerszám biztonságos szerszám maradjon.

BIZTONSÁGI ELŐÍRÁSOK AKKUMULÁTOROS FÚRÓ/ CSAVAROZÓKHOZ

- Ügyeljen arra, hogy a munkadarabban lévő csavar, szög vagy hasonló sérüléseket ne okozhasson; a munka megkezdése előtt eltávolítandó
- Mindig ellenőrizze, hogy a hálózati feszültség megegyezik-e a töltőkészülék adattábláján feltüntetett értékkel
- Normálistól eltérő működés vagy szokatlan, idegen hangok esetén a gépet azonnal kapcsolja ki vagy a töltőkészülék csatlakozóját húzza ki a konnektorból
- SKIL cég kizárólag eredeti alkatrészek és kiegészítők alkalmazása esetén tudja garantálni a gép problémamentes működését
- Csak olyan tartozékot használjon, amelyek legmagasabb megengedett fordulatszáma legalább akkora, mint a berendezés legmagasabb üresjárati fordulatszáma
- A szerszámot/töltőkészüléket nem tervezték hiányos fizikai, szenzorális vagy értelmi képességekkel rendelkező személyek (beleértve a gyerekeket), illetve tudással és tapasztalattal nem rendelkező személyek által történő használatra, hacsak ezen személyek számára nem biztosítanak a szerszám/töltőkészülék

- használatára vonatkozó kiképzést, illetőleg felügyeletet, egy erre megbízott, a biztonságukért felelős személy által
- Zárja ki annak lehetőségét, hogy a gyerekek játszhatnak a szerszámhoz/töltőkészülékhez
 - **Rögzítse a munkadarabot** (befogókészülékkel vagy satuval befogott munkadarabot sokkal biztonságosabban lehet rögzíteni mint a kézzel tartottat)
 - **Az elektromos kéziszerszámot csak a szigetelt fogantyúfelületeknél fogva tartsa, ha olyan munkát végez, amelynek során a betétszerszám vagy a csavar feszültség alatt álló, kívülről nem látható vezetékhez, vagy a készülék saját hálózati csatlakozó kábeljéhez érhet** (ha a berendezés egy feszültség alatt álló vezetékhez ér, az elektromos kéziszerszám fémrészei szintén feszültség alá kerülhetnek és áramütéshez vezethetnek)
 - **A rejtett vezeték felkutatásához használjon alkalmas fémkereső készüléket, vagy kérje ki a helyi energiaellátó vállalat tanácsát** (ha egy elektromos vezetékkel a berendezéssel megérint, ez tűzhöz és áramütéshez vezethet; egy gázvezeték megrongálása robbanást eredményezhet; egy vízvezetékbe való behatolás anyagi károkhöz és áramütéshez vezethet)
 - **Ne munkáljon meg a berendezéssel azbesztt tartalmazó anyagokat** (az azbeszttnek rákkeltő hatása van)
 - Az anyagból származó por (mint például az ólomot, néhány fafajtát, ásványi anyagokat és fémeket tartalmazó festékek) káros lehet (a por érintése vagy belégzése allergiás reakciókat és/vagy légzőszervi betegségeket okozhat a kezelő, illetve a közelben állók esetében); **viseljen pormaszkot és amennyiben csatlakoztatható, dolgozzon porszivő berendezéssel**
 - Bizonyos porfajták rákkeltő besorolással rendelkeznek (ilyen például a tölgy- és a bükkfa pora), különösen a fa kondicionálására szolgáló adalékokkal együtt; **viseljen pormaszkot és amennyiben csatlakoztatható, dolgozzon porszivő berendezéssel**
 - Kövesse a por kezelésével kapcsolatos helyi előírásokat azon termékkel kapcsolatban, amellyel dolgozni kíván
 - Győződjön meg róla, hogy a B irányváltó-kapcsoló ② a középső (rögzített) állásban van, mielőtt beállításokat végez vagy tartozékokat cserél, illetve amikor a gépet szállítja vagy tárolja
- ### **TÖLTÉS/AKKUMULÁTOR**
- Az akkumulátort csak a tartozék töltőkészülék töltsse
 - A töltőkészülékben lévő érintkezőket nem szabad megérinteni
 - A gépet/töltőkészüléket/akkumulátort óvja a nedvességtől, különösen esőtől
 - A gépet/töltőkészüléket/akkumulátort ne tárolja 40°C feletti és 0°C alatti helyiségben
 - Ne töltsse az akkumulátort nedves vagy páras környezetben
 - Ha az akkumulátorok tűzbe kerülnek, akkor felrobbanhatnak, ezért semmilyen okból ne égesse el az akkumulátorokat
 - Hibás töltőkészüléket nem szabad üzembe helyezni; ilyen esetben forduljon a SKIL hivatalos szakszervizéhez

- A töltőkészülék tovább nem használható, ha a kábel vagy a dugasz sérült, a kábelt vagy a hálózati csatlakozót azonnal hivatalos SKIL szakszervizben ki kell cserélni
- A hibás akkumulátor haladéktalanul cserélje ki
- A töltőkészülékét vagy az akkumulátor tilos szétszedni
- Soha ne próbáljon töltőkészülékkel nem tölthető akkumulátort újra tölteni

A TÖLTŐN/AKKUMULÁTORON TALÁLHATÓ SZIMBÓLUMOK MAGYARÁZATA

- ③ Használat előtt olvassa el a használati utasítást
- ④ A töltőt csak beltéren használja
- ⑤ Kettős szigetelés (földelővezeték nem szükséges)
- ⑥ A töltőcsatlakozás hibás polaritása veszélyt okozhat (csak a szállított töltővel töltsse az akkumulátort)
- ⑦ Automatikus kikapcsolás a töltő túlmelegedése esetén (a hőbiztosíték kiég és a töltő használhatatlanná válik)
- ⑧ A töltőkészülékét ne dobja a háztartási szemétkébe
- ⑨ Az akkumulátor ne dobja a háztartási szemétkébe

KEZELÉS

- Az akkumulátor töltése ⑩
 - az új akkumulátorok nincsenek feltöltve
 - a töltőkészülékét a hálózatra csatlakoztassa az ábra alapján
 - az akkumulátort helyezze be a töltőkészülékbe
 - kigyullad a vörös lámpa H, jelezve, hogy az akkumulátort töltés alatt áll
 - a vörös lámpa H addig marad bekapcsolva, amíg az akkumulátort csatlakozik a töltőhöz és a töltő a fali aljzatban van

! az akkumulátort a töltési idő befejezése után a töltőkészülékről le kell venni, ezáltal az akkumulátor élettartama meghosszabbodik

FONTOS:

- 3 óra letelte után a töltési művelet befejeződik az akkumulátor használhatóvá válik
- a töltőkészülék és az akkumulátort felmelegedhet a töltés során; ez teljesen normális és nem jelent problémát
- a töltőbe való behelyezés előtt győződjön meg arról, hogy az akkumulátor külső felülete tiszta és száraz
- 0°C alatti és 45°C feletti hőmérsékleten mellőzni kell a töltést; ezáltal ugyanis a töltőkészülék és az akkumulátor komoly mértékben károsodhat
- az akkumulátort a gép üzemeltetése közben nem szabad levenni
- ! egy új, vagy hosszabb ideig használaton kívüli akkumulátor csak kb. 5 teljes feltöltési/kisütési ciklus után éri el a teljes teljesítményét**
- nem célszerű az akkumulátort minden rövid használat után mindig újra feltölteni mert ez csökkentheti az élettartalmát
- amennyiben a gépet hosszabb időn keresztül nem használjuk, akkor a töltőkészülék hálózati csatlakozóját a dugaszolóaljzattól húzzuk ki
- Be/Ki ⑪
- Egyenletes indítást biztosító sebességszabályozó ⑫
- Forgásirány változtatás ⑬
 - amennyiben az A ② be/ki kapcsoló nem kattantökéletesen a helyére ne csatlakoztassa a gépet

! a forgásirány kizárólag a gép teljes leállása után változtatható

- A szerszámhegyek cseréje ⑭
 - helyezze a szerszámhegyet a tokmányba, s tolja olyan mélyre, amennyire csak lehet
- ! soha ne használjon sérült befogóvégű szerszámhegyet**
- Forgatónyomaték beállítás (VariTorque) ⑮
 - a forgatónyomatékokat olyan módon növelhetjük, ha az D kuplunggyűrűt 1-ről 5-re forgatjuk cl. E állásban a kuplungot reteszeli a néhez fűró- és csavarozó munkák elvégzéséhez
 - amikor egy csavart akarunk becsavarni, először a VariTorque 1-es helyzetű beállítását próbáljuk ki majd növeljük ezt, amíg a kívánt mélységet el nem érjük
- A gép vezetése és tartása ⑯
 - ! munka közben mindvégig tartsa gépet a szürke színű markolati terület(ek)en**
 - a szellőzőnyílásokat F ② mindig tartsa szabadon
 - ne gyakoroljon túl nagy nyomást a gépre; hagyja, hogy a gép dolgozzon ön helyett



HASZNÁLAT

- Mindig a megfelelő szerszámhegyet használja ⑰
 - ! ne használjon kopott vagy élelten szerszámhegyet**
- Fémekben történő fúrásokról
 - készítsünk kisméretű előfuratot
 - kenje időnként olajjal a fúróhegyet
- Csavarok faanyag végébe vagy szálirányába történő behajtása előtt készítsen előfuratot
- Az eszköz optimális használatához a csavarra állandó nyomást kell gyakorolni, különösen ha kicsavarjuk
- Ha keményfába csavarozunk, szükséges előfuratot készíteni
- Forgácsmentes fúrás ⑱
- Pormentes fúrás falban ⑲
- Pormentes fúrás plafonban ⑳
- Csempék/burkolólapok fúrása megcsúszás nélkül ㉑
- A www.skil.com címen még több ötletet és javaslatot talál

KARBANTARTÁS / SZERVIZ

- A szerszám nem professzionális használatra készült
- A gépet és a töltőkészülékét mindig tartsa tisztán
 - a töltőkészülék töltőérintkezőket időnként tisztítsa meg alkohollal vagy kontakt sprayel
- ! mielőtt a töltőt megtisztítaná a konnektorból húzza ki a csatlakozót**
- Ha a gép/töltőkészülék a gondos gyártási és ellenőrzési eljárás ellenére egyszer mégis meghibásodna, akkor a javítással csak SKIL elektromos kéziszerszám-műhely ügyfélszolgálatát szabad megbízni
 - küldje az **összeszerelt** gépet vagy töltőkészülékét a vásárlást bizonyító számlával együtt a kereskedő vagy a legközelebbi SKIL szervizállomás címére (a címlista és a gép szervizdiagramja a www.skil.com címen található)
 - ha a töltő meghibásodna, küldje be a **töltőt és az akkumulátort** is a márkakereskedésbe, vagy a SKIL márkaszervizbe

KÖRNYEZET

- **Az elektromos kéziszerszámokat, tartozékokat és csomagolást ne dobja a háztartási szemétkébe** (csak EU-országok számára)
 - a használt villamos és elektronikai készülékekről szóló 2012/19/EK irányelv és annak a nemzeti jogba való átültetése szerint az elhasznált elektromos kéziszerszámokat külön kell gyűjteni, és környezetbarát módon újra kell hasznosítani
 - erre emlékeztet a  jelzés, amennyiben felmerül az intézkedésre való igény
- Az akkumulátort utatítás szerint kell eltávolítani és nem szabad a háztartási hulladékba dobni (erre emlékeztet a  jelzés)
- ! **az akkumulátor hatástalanítása előtt az akkumulátor végét erős szaggal biztosítsuk, hogy a kúszóáramok kiküszöbölhessük**

MEGFELELŐSÉGI NYILATKOZAT CE

Akkumulátoros fúró/csavarozó 2395

Műszaki adatok

- Egyedüli felelőséggel kijelentjük, hogy a "Műszaki adatok" alatt leírt termék megfelel a következő szabványoknak, illetve irányadó dokumentumoknak: EN 60745 (készülék), EN 60335 (töltő), EN 61000, EN 55014 a 2006/42/EK, 2014/35/EU, 2014/30/EU, 2011/65/EU irányelveknek megfelelően
- **A műszaki dokumentáció a következő helyen található:** SKIL Europe BV (PT-SEU/ENG1), 4825 BD Breda, NL

Marijn van der Hoofden
Operations & Engineering

Olaf Dijkgraaf
Approval Manager

SKIL Europe BV, 4825 BD Breda, NL

21.10.2014

ZAJ/REZGÉS


- Az EN 60745 alapján végzett mérések szerint ezen készülék hangnyomás szintje <70 dB(A) (normál eltérés: 3 dB) a rezgésszám * m/s² (kézre-ható érték; szórás K = 1,5 m/s²)
 - * fém fúrásakor <2,5 m/s²
 - * csavarásakor <2,5 m/s²
- A rezgés-kibocsátási szint mérése az EN 60745 szabványban meghatározott szabványosított teszttel összhangban történt; ez egy eszköznek egy másik eszközzel történő összehasonlítására, illetve a rezgésnek való kitettség előzetes felmérésére használható fel az eszköznek az említett alkalmazásokra történő felhasználása során
 - az eszköznek eltérő alkalmazásokra, vagy eltérő, illetve rosszul karbantartott tartozékokkal történő felhasználása jelentősen **emelheti** a kitettséget szintjét
 - az idő, amikor az eszköz ki van kapcsolva, vagy amikor ugyan működik, de ténylegesen nem végez munkát, jelentősen **csökkenti** a kitettséget szintjét

! az eszköz és tartozékai karbantartásával, kezének melegen tartásával, és munkavégzésének megszervezésével védje meg magát a rezgések hatásaitól

CZ

Akkumulátoros vrtací šroubovák 2395

ÚVOD

- Náradí je určeno k vrtání do dřeva, kovu, zdiva, hominy, keramiky a umělé hmoty; náradíe s elektronickou regulací rychlosti a chodem vpravo/vlevo jsou také vhodné k šroubování a řezání závitů
- Tento nástroj není určen k profesionálnímu použití
- Tento návod s pokyny si pečlivě přečtete a uschovejte 

TECHNICKÁ DATA


Max. krouticí moment tvrdý šroubový spoj podle ISO 5393 : 26 Nm

SOUČÁSTI NÁSTROJE

- A Vypínač zapnout/vypnout a regulace rychlosti
- B Spínač na změnu směru otáček
- C Rychloupínací sklíčidlo
- D Regulátor pro nastavení krouticího momentu
- E Zajištěná pozice (spojka)
- F Větrací šterbiny
- G Nabíječka
- H Červená kontrolka dobíjení

BEZPEČNOST

VŠEOBECNÉ BEZPEČNOSTNÍ PŘEDPISY

 **POZOR!** Čtete všechna varovná upozornění a pokyny. Zanedbání při dodržování varovných upozornění a pokynů mohou mít za následek úder elektrickým proudem, požár a/nebo těžká poranění. **Všechna varovná upozornění a pokyny do budoucna uschovejte.** Ve varovných upozorněních použitý pojem "elektronářadí" se vztahuje na elektronářadí provozované na el. síti (se síťovým kabelem) a na elektronářadí provozované na akumulátoru (bez síťového kabelu).

1) BEZPEČNOST PRACOVNÍHO MÍSTA

- Udržujte Vaše pracovní místo čisté a uklizené.**
Nepořádek nebo neosvětlené pracovní oblasti mohou vést k úrazům.
- Se strojem nepracujte v prostředích ohrožených explozí, kde se nacházejí hořlavé kapaliny, plyny nebo prach.** Elektronářadí vytváří jiskry, které mohou prach nebo páry zapálit.
- Děti a jiné osoby udržujte při použití elektronářadí daleko od Vašeho pracovního místa.** Při rozptýlení můžete ztratit kontrolu nad strojem.

2) ELEKTRICKÁ BEZPEČNOST

- Připojovací zástrčka stroje musí lícovat se zásuvkou. Zástrčka nesmí být žádným způsobem upravena. Společně se stroji s ochranným**

- uzemněním nepoužívejte žádné adaptérové zástrčky. Neupravené zástrčky a vhodné zásuvky snižují riziko elektrického úderu.
- b) **Zabraňte kontaktu těla s uzemněnými povrchy, jako např. potrubí, topení, sporáky a chladničky.** Je-li Vaše tělo uzemněno, existuje zvýšené riziko elektrického úderu.
 - c) **Chraňte stroj před deštěm a vlhkem.** Vniknutí vody do elektrického stroje zvyšuje nebezpečí elektrického úderu.
 - d) **Dbejte na účel kabelu, nepoužívejte jej k nošení či zavěšení stroje nebo vytažení zástrčky ze zásuvky. Udržujte kabel daleko od tepla, oleje, ostrých hran nebo pohyblivých dílů stroje.** Poškozené nebo spletené kabely zvyšují riziko elektrického úderu.
 - e) **Pokud pracujete s elektronářadím venku, použijte pouze takové prodlužovací kabely, které jsou schváleny i pro venkovní použití.** Použití prodlužovacího kabelu, jež je vhodný pro použití venku, snižuje riziko elektrického úderu.
 - f) **Pokud se nelze vyhnout provozu elektronářadí ve vlhkém prostředí, použijte ochranný jistič.** Nasazení ochranného jističe snižuje riziko úderu elektrickým proudem.
- ### 3) BEZPEČNOST OSOB
- a) **Buďte pozorní, dávejte pozor na to, co děláte a přistupujte k práci s elektronářadím rozumně. Stroj nepoužívejte pokud jste unavení nebo pod vlivem drog, alkoholu nebo léků.** Moment nepozornosti při použití elektronářadí může vést k vážným poraněním.
 - b) **Noste osobní ochranné pomůcky a vždy ochranné brýle.** Nošení osobních ochranných pomůcek jako maska proti prachu, bezpečnostní obuv s protiskluzovou podrážkou, ochranná přilba nebo sluchátka, podle druhu nasazení elektronářadí, snižují riziko poranění.
 - c) **Zabraňte neúmyslnému uvedení do provozu. Přesvědčte se, že je elektronářadí vypnuté dříve než jej uchopíte, poneseťe či připojíte na zdroj proudu a/ nebo akumulátor.** Máte-li při nošení elektronářadí prst na spínači nebo pokud stroj připojíte ke zdroji proudu zapnutý, pak to může vést k úrazům.
 - d) **Než stroj zapnete, odstraňte seřizovací nástroje nebo šroubovák.** Nástroj nebo klíč, který se nachází v otáčivém dílu stroje, může vést k poranění.
 - e) **Nepřeceňujte se. Zajistěte si bezpečný postoj a vždy udržujte rovnováhu.** Tím můžete stroj v neočekávaných situacích lépe kontrolovat.
 - f) **Noste vhodný oděv. Nenoste žádný volný oděv nebo šperky. Vlasy, oděv a rukavice udržujte daleko od pohybujících se dílů.** Volný oděv, šperky nebo dlouhé vlasy mohou být zachyceny pohybujícími se díly.
 - g) **Lze-li namontovat odsávací či zachycující přípravky, přesvědčte se, že jsou připojeny a správně použity.** Použití odsávání prachu může snížit ohrožení prachem.
- ### 4) SVĚDOMITÉ ZACHÁZENÍ A POUŽÍVÁNÍ ELEKTRONÁŘADÍ
- a) **Stroj nepřetěžujte. Pro svou práci použijte k tomu určený stroj.** S vhodným elektronářadím budete pracovat v udané oblasti výkonu lépe a bezpečněji.
 - b) **Nepoužívejte žádné elektronářadí, jehož spínač je vadný.** Elektronářadí, které nelze zapnout či vypnout je nebezpečné a musí se opravit.

- c) **Než provedete seřízení stroje, výměnu dílů příslušenství nebo stroj odložíte, vytáhněte zástrčku ze zásuvky a/nebo odstraňte akumulátor.** Toto preventivní opatření zabrání neúmyslnému zapnutí stroje.
 - d) **Uchovávejte nepoužívané elektronářadí mimo dosah dětí. Nenechte stroj používat osobám, které se strojem nejsou seznámeny nebo nečetly tyto pokyny.** Elektronářadí je nebezpečné, je-li používáno nezkušenými osobami.
 - e) **Pečujte o stroj svědomitě. Zkontrolujte, zda pohyblivé díly stroje bezvadně fungují a nevzpřičují se, zda díly nejsou zlomené nebo poškozené tak, že je omezena funkce stroje. Poškozené díly nechte před nasazením stroje opravit.** Mnoho úrazů má příčinu ve špatně udržovaném elektronářadí.
 - f) **Řezné nástroje udržujte ostré a čisté.** Pečlivě ošetrované řezné nástroje s ostrými řeznými hranami se méně vzpřičují a dají se lehčeji vést.
 - g) **Používejte elektronářadí, příslušenství, nasazovací nástroje apod. podle těchto pokynů. Respektujte přitom pracovní podmínky a prováděnou činnost.** Použití elektronářadí pro jiné než určující použití může vést k nebezpečným situacím.
- ### 5) SVĚDOMITÉ ZACHÁZENÍ A POUŽÍVÁNÍ AKUMULÁTOROVÝCH NÁŘADÍ
- a) **Akumulátory nabíjejte pouze v nabíječce, která je doporučena výrobcem.** Pro nabíječku, která je vhodná pro určitý druh akumulátorů, existuje nebezpečí požáru, je-li používána s jinými akumulátory.
 - b) **Do elektronářadí používejte pouze k tomu určené akumulátory.** Použití jiných akumulátorů může vést k poraněním a požárům.
 - c) **Nepoužívaný akumulátor uchovávejte mimo kancelářské sponky, mince, klíče, hřebíky, šrouby nebo jiné drobné kovové předměty, které mohou způsobit přemostění kontaktů.** Zkrat mezi kontakty akumulátoru může mít za následek opálení nebo požár.
 - d) **Při špatném použití může z akumulátoru vytéci kapalina. Zabraňte kontaktu s ní. Při náhodném kontaktu opláchněte místo vodou. Pokud kapalina vnikne do očí, navštivte navíc i lékaře.** Vytékající akumulátorová kapalina může způsobit podráždění pokožky nebo popálení.
- ### 6) SERVIS
- a) **Nechte Váš stroj opravit pouze kvalifikovaným odborným personálem a pouze s originálními náhradními díly.** Tím bude zajištěno, že bezpečnost stroje zůstane zachována.

BEZPEČNOSTNÍ PŘEDPISY PRO AKUMULÁTOROVÝ VRTACÍ ŠROUBOVÁK

- Vrtáčku nepoužívejte je-li navlhla a nepracuje v blízkosti snadno zápalných nebo výbušných materiálů; před zahájením práce je odstraňte
- Vždy zkontrolujte, zda je napájecí napětí stejné jako napětí uvedené na typovém štítku nabíječe
- V případě atypického chování nebo cizích hluků ihned vypněte nářadí nebo vytáhněte nabíječ ze zásuvky
- SKIL zajistí bezvadnou funkci nářadí pouze tehdy, používáte-li původní značkové

- Použijte pouze příslušenství, jejichž dovolené otáčky jsou alespoň tak vysoké jako nejvyšší otáčky stroje naprázdno
- Nástroj/nabíječka není určený/a pro používání osobami (včetně dětí) s omezenými fyzickými, smyslovými či mentálními schopnostmi, nebo s nedostatkem zkušeností a vědomostí, pokud na ně není dohlédnuto nebo nedostaly pokyny týkající se zacházení s nástrojem/nabíječem od osoby zodpovědné za jejich bezpečnost
- Postarejte se, aby si děti nehrály s nástrojem/nabíječem
- **Zajistěte obráběný díl** (obráběný díl uchycený pomocí upínacích zařízení nebo ve svěráku je mnohem bezpečnější než v ruce)
- **Pokud provádíte práce, při kterých může nasazovací nástroj nebo šroub zasáhnout skrytá elektrická vedení nebo vlastní síťový kabel, pak držte elektronářadí na izolovaných plochách rukojeti** (kontakt s vedením pod napětím může přivést napětí i na kovové díly elektronářadí a vést k úderu elektrickým proudem)
- **Použijte vhodné hledací přístroje k vyhledání skrytých přírodních vedení nebo přivězte místní dodavatelskou společnost** (kontakt s el. vedením může vést k požáru a elektrickému úderu; poškození plynového vedení může vést k explozi; proniknutí do vodovodního potrubí může způsobit věcné škody nebo elektrický úder)
- **Nepracovávajte žádný materiál obsahující azbest** (azbest je karcinogenní)
- Prach z látek, jako jsou barvy obsahující olovo, některé druhy dřeva, minerály a kovy, může být škodlivý (kontakt s prachem nebo jeho vdechnutí může způsobit alergickou reakci a/nebo vyvolat respirační choroby u obsluhy nebo přihlížejících); **nošte protiprachovou masku a pracujte se zařízením na odsávání prachu, pokud je možné jej připojit**
- Některé druhy prachu jsou klasifikovány jako karcinogenní (například dubový a bukový prach) zejména ve spojení s přísadami pro úpravu dřeva; **nošte protiprachovou masku a pracujte se zařízením na odsávání prachu, pokud je možné jej připojit**
- Dodržujte stanovená nařízení pro práci v prašném prostředí
- Zabezpečte, aby spínač B ② byl vždy v pozici uprostřed (zablokované) než provedete seřízení stroje nebo výměnu příslušenství, při přenášení nebo odložení stroje

NABÍJENÍ/AKUMULÁTORY

- Nabíjejte akumulátor pouze dodanou nabíječkou
- Nedotýkejte se kontaktů
- Nevystavujte nářadí/nabíječ/akumulátor dešti
- Nářadí/nabíječ/akumulátor ukládejte na vhodné, suché a zajištěné místo, v prostorách s teplotou minimálně 0°C a maximálně 40°C
- Nenabíjejte akumulátor ve vlhkém nebo mokřem prostředí
- Baterie při vhození do ohně explodují, proto je nikdy nevhazujte do otevřeného plamene
- Nepoužívejte k nabíjení poškozenou nabíječku; nabíječku nechte opravit nebo nahradte novou z naší oficiální odborné dílny SKIL

- Nabíječ nepoužívejte, když kabel nebo zástrčka jsou poškozeny; ihned je nahraďte novými z naší oficiální odborné dílny SKIL
- Poškozený akumulátor nepoužívejte, nahraďte jej novým
- Nabíječ nebo akumulátor nikdy nerozebírejte
- Baterie, které nejsou určeny k opětnému nabíjení, v přístroji nedobijte

VYSVĚTLENÍ SYMBOLŮ NA NABÍJEČCE/BATERII

- ③ Před použitím si přečtěte návod k použití
- ④ Určeno pouze k použití uvnitř budov
- ⑤ Dvojitá izolace (není nutný zemnicí drát)
- ⑥ Nesprávná polarita zapojení nabíječky by mohla způsobit nebezpečí (baterii nabíjejte pouze pomocí přiložené nabíječky)
- ⑦ Automatické odpojení při přílišném zahřátí nabíječky (tepelná pojistka přehoří a nabíječka se stane nepoužitelnou)
- ⑧ Nabíječ nevyhazujte do komunálního odpadu
- ⑨ Akumulátor nevyhazujte do komunálního odpadu

OBSLUHA

- Nabíjení akumulátorů ⑩
 - nové akumulátory nejsou nabitý
 - připojte nabíječ k síťovému napětí podle obrázků
 - akumulátor zasunout do nabíječe
 - červená kontrolka H se rozsvítí a akumulátor ukazuje, že se zařízení nabíjí
 - červená kontrolka H svítí po celou dobu, kdy akumulátor zařízení zapojeno do nabíječky a nabíječka do elektrické zásuvky

! vyjmutím akumulátoru z nabíječe po nabití, tím se prodlouží životnost akumulátoru

UPOZORNĚNÍ:

- po 3 hodinách je doba nabíjení ukončena a akumulátor může být používán
- nabíječ a akumulátor jsou při nabíjení horké; to je normální a nesignalizuje to závadu
- než vložíte akumulátor do nabíječky, přesvědčte se, zda je její povrch čistý a suchý
- při teplotách pod 0°C nebo přes 45°C nelze nabíjet; mohlo by dojít k poškození nabíječe i akumulátoru
- akumulátor se nesmí během chodu z nářadí vyjmát
- ! **nový nebo delší dobu nepoužívaný akumulátor dává plný výkon až po ca. 5 nabíjecích a vybijecích cyklech**
- akumulátor by neměl být po každém krátkém, použití znovu dobíjen, protože to může snížit kapacitu akumulátorů
- pokud nářadí dlouho nepoužíváte, můžete zástrčku nabíječe ze zásuvky vytáhnout

- Vypínač ⑪
- Regulátor rychlosti k hladkému startu ⑫
- Změna směru otáček ⑬
 - jestliže poloha doleva/doprava správně nezapadne, není možno zapnout vypínač A ②
- ! **směr otáček se smí změnit pouze je-li nástroj zcela zastaven**
- Výměna hrotů ⑭
 - zasaňte hrot co nehlouběji do sklíčidla
- ! **nepoužívejte hroty s poškozeným dřikem**

- Kontrola kroutícího momentu (VariTorque) ⑩
 - kroutící moment se zvyšuje otáčením stupnice D od 1 do 5; v pozici E je volba, pro těžké vrtání a šroubování
 - při vyšroubování začněte nejříve s pozicí 1 VariTorque a zvyšujte po dosažení žádané hloubky
- Držení a vedení nástroje ⑩
 - ! **při práci vždy držte nástroj v šedě zbarvené oblasti rukojeti**
 - udržujte větrací štěrby F ② nezakryté
 - na nástroj příliš netlačte; nechte jej, aby pracoval za vás

NÁVOD K POUŽITÍ

- Používejte správné vrtáky ①7
 - ! **používejte pouze ostré hroty**
- Při vrtání v kovu
 - předvrtejte napřed malý otvor
 - vrták při práci občas naolejujte
- Při zašroubování šroubu na konci nebo na začátku nějakého dřeva by měla být předvrtána díra, aby se zamezilo rozštípnutí dřeva
- Pro optimální využití přístroje je nutno zvolit odpovídající tlak na šroub, zvláště při vyšroubování
- Při šroubování do tvrdého dřeva, je nutno díru předvrtat
- Vrtání dřeva bez vzniku třísek ⑩8
- Bezprašné vrtání zdí ⑩9
- Bezprašné vrtání stropů ⑩0
- Vrtání dlaždic bez skluzu ⑩1
- Další tipy najdete na www.skil.com

ÚDRŽBA / SERVIS

- Tento nástroj není určen k profesionálnímu použití
- Udržujte nářadí a nabíječ čisté
 - čistěte kontakty v nabíječi pouze alkoholem nebo čističem kontaktů
 - ! **před čistěním vytáhněte vždy nabíječ ze zásuvky**
- Pokud dojde i přes pečlivou výrobu a náročné kontroly k poruše nástroje/nabíječe, svěťte provedení opravy autorizovanému servisnímu středisku pro elektronářadí firmy SKIL
 - zašlete nástroj nebo nabíječ **nerozebraný** spolu s potvrzením o nákupu své prodejny nebo nejbližšímu servisu značky SKIL (adresy a servisní schéma nástroje najdete na www.skil.com)
 - je-li nabíječka vadná, odešlete **nabíječku a baterii** svému prodejci nebo servisu značky SKIL

ŽIVOTNÍ PROSTŘEDÍ

- **Elektrické nářadí, doplňky a balení nevyhazujte do komunálního odpadu** (jen pro státy EU)
 - podle evropské směrnice 2012/19/EG o nakládání s použitými elektrickými a elektronickými zařízeními a odpovídajících ustanovení právních předpisů jednotlivých zemí se použitá elektrická nářadí, musí sbírat odděleně od ostatního odpadu a podrobit ekologicky šetrnému recyklování
 - symbol ⑥ na to upozorňuje
- Akumulátory se musí udržovat v pořádku a nesmí se dostat do domovního odpadu (symbol ⑨ na to upozorňuje)
 - ! **u vyřazených akumulátorů zakryjte kontakty izolační páskou, zabráníte tím plazivým proudům**

PROHLÁŠENÍ O SHODĚ CE

Akumulátorový vrtací šroubovák 2395

Technická data ①

- Prohlašujeme v plné naší zodpovědnosti, že v odstavci "Technická data" popsaný výrobek je v souladu s následujícími normami nebo normativními dokumenty: EN 60745 (přístroj), EN 60335 (nabíječka), EN 61000, EN 55014, podle ustanovení směrnice 2006/42/ES, 2014/35/EU, 2014/30/EU, 2011/65/EU
- **Technická dokumentace u:** SKIL Europe BV (PT-SEU/ENG1), 4825 BD Breda, NL

Marijn van der Hoofden
Operations & Engineering

Olaf Dijkgraaf
Approval Manager




SKIL Europe BV, 4825 BD Breda, NL

21.10.2014

HLUČNOSTI/VIBRACÍ

- Měřeno podle EN 60745 činí tlak hlukové vlny tohoto přístroje <70 dB(A) (standardní odchylka: 3 dB) a vibraci
 - * m/s^2 (metoda ruka-paže; nepřesnost $K = 1,5 m/s^2$)
 - * při vrtání do kovu <2,5 m/s^2
 - * při šroubování <2,5 m/s^2
- Úroveň vibrací byla měřena v souladu se standardizovaným testem podle EN 60745; je možné ji použít ke srovnání jednoho přístroje s druhým a jako předběžné posouzení vystavování se vibracím při používání přístroje k uvedeným aplikacím
 - používání přístroje k jiným aplikacím nebo s jiným či špatně udržovaným příslušenstvím může zásadně **zvýšit** úroveň vystavení se vibracím
 - doba, kdy je přístroj vypnutý nebo kdy běží, ale ve skutečnosti není využíván, může zásadně **snížit** úroveň vystavení se vibracím
- ! **chraňte se před následky vibrací tak, že budete dbát na údržbu přístroje a příslušenství, budete si udržovat teple ruce a uspořádáte si své pracovní postupy**

TR

Akülü delme/vidalama makinesi 2395

GİRİS

- Bu alet, tahta, metal, tuğla, taş, seramik ve plastik malzemede ki delme işleri için geliştirilmiştir; elektronik hız kontrolü ve sağ/sol dönüştürlü aletler vidalama ve diğ açma işlerine de uygundur
- Bu alet profesyonel kullanıma yönelik değildir
- Bu kullanma kılavuzunu okuyun ve saklayın ③

TEKNİK VERİLER ①

ISO 5393'e göre sert vidalamada maksimum tork : 26 Nm

ALET BİLEŞENLERİ ②

- A Açma/kapama ve hız kontrol anahtarları
- B Dönüş yönü değiştirme düğmesi
- C Anahtarsız mandren
- D Tork kontrol
- E Kilit konumu (kavrama)
- F Havalandırma yuvaları
- G Şarj cihazı
- H Kırmızı şarj ışık

GÜVENLİK

GENEL GÜVENLİK YÖNERGELERİ

⚠ DİKKAT! Bütün uyarıları ve talimat hükümlerini okuyun. Açıklanan uyarılara ve talimat hükümlerine uyulmadığı takdirde elektrik çarpmalarına, yangınlara ve/veya ağır yaralanmalara neden olunabilir. **Bütün uyarıları ve talimat hükümlerini ilerde kullanmak üzere saklayın.** Uyarı ve talimat hükümlerinde kullanılan "elektrikli el aleti" kavramı, akım şebekesine bağlı (şebeke bağlantı kablosu ile) aletlerle akü ile çalışan aletleri (akım şebekesine bağlantısı olmayan aletler) kapsamaktadır.

1) ÇALIŞMA YERİ GÜVENLİĞİ

- a) **Çalıştığınız yeri temiz ve düzenli tutun.** İşyerindeki düzensizlik veya yetersiz aydınlatma kazalara neden olabilir.
- b) **Yanıcı sıvıların, gazların veya tozların bulunduğunu patlama tehlikesi olan yer ve mekânlarda aletinizle çalışmayın.** Elektrikli el aletleri, toz veya buharların tutuşmasına veya yanmasına neden olan kıvılcımlar çıkarırlar.
- c) **Elektrikli el aletinizle çalışırken çocukları ve başkalarını çalışma alanınızın uzağında tutun.** Yakınızdaki bulunan kişiler dikkatinizi dağıtabilir ve bu da alet üzerindeki kontrolünüzü kaybetmenize neden olabilir.

2) ELEKTRİKSEL GÜVENLİK

- a) **Aletinizi bağlantı fişi prize uymalıdır. Fişi hiçbir şekilde değiştirmeyin. Koruyucu topraklamalı aletlerle adaptörlü fiş kullanmayın.** Değiştirilmemiş, orijinal fiş ve uygun prizler elektrik çarpma tehlikesini azaltır.
- b) **Borular, kalorifer tesisatı, ısıtıcılar ve buzdolapları gibi topraklanmış yüzeylerle bedensel temasa gelmekten kaçının.** Eğer bedeniniz topraklanacak olursa yüksek bir elektrik çarpma tehlikesi ortaya çıkar.
- c) **Aletinizi yağmur ve nemden koruyun.** Elektrikli el aletinin içine suyun sızması elektrik çarpma tehlikesini yükseltir.
- d) **Kabloyu kendi amacı dışında kullanmayın; örneğin aleti kablodan tutarak taşımayın, aleti kablo ile asmayın veya kablodan çekerek fişi prizden çıkarmayın. Kabloyu aşırı sıcaktan, yağlardan, keskin kenarlı cisimlerden veya aletin hareketli parçalarından uzak tutun.** Hasarlı veya dolaşmış kablo elektrik çarpma tehlikesini yükseltir.
- e) **Elektrikli el aletinizle açık havada çalışırken mutlaka açık havada kullanılmaya müsadeeli uzatma kablosu kullanın.** Açık havada kullanılmaya uygun ve müsadeeli uzatma kablosunun kullanılması elektrik çarpma tehlikesini azaltır.

- f) **Elektrikli el aletinin nemli ortamlarda çalıştırılması şartsa, mutlaka toprak kaçağı devre kesicisi kullanın.** Toprak kaçağı devre kesicisi kullanımı elektrik çarpma tehlikesini azaltır.

3) KİŞİLERİN GÜVENLİĞİ

- a) **Dikkatli olun, ne yaptığınızı dikkat edin ve elektrikli el aletinizle çalışırken makul hareket edin. Yorgunsanız, hap, ilaç veya alkol almıyorsanız aletinizi kullanmayın.** Aletinizi kullanırken bir anlık dikkatsizliğiniz ciddi yaralanmalara yol açabilir.
 - b) **Daima kişisel korunma donanımları ve bir koruyucu gözlük kullanın.** Elektrikli el aletinin türü ve kullanımına uygun olarak kullanacağınız toz maskesi, kaymayan sağlam iş ayakkabıları, koruyucu kask veya koruyucu kulaklık gibi kişisel korunma donanımlarını kullanmanız yaralanma tehlikesini büyük ölçüde azaltır.
 - c) **Aleti yanlışlıkla çalıştırmaktan kaçının. Akım ikmal şebekesine ve/veya aküye bağlamadan, elinize alıp taşımadan önce elektrikli el aletinin kapalı durumda olduğundan emin olun.** Elektrikli el aletini parmağınız şalter üzerinde dururken taşırırsanız ve alet açıkken fişi prize sokarsanız kazalara neden olabilirsiniz.
 - d) **Aleti çalıştırmadan önce ayar aletlerini veya tornavidaları aletten uzaklaştırın.** Dönen alet parçasına temas halinde bulunan bir uç veya anahtar yaralanmalara neden olabilir.
 - e) **Kendinize çok fazla güvenmeyin. Duruşunuzun güvenli olmasına dikkat edin ve daima dengenizi koruyun.** Bu sayede aletinizi beklenmedik durumlarda daha iyi kontrol edersiniz.
 - f) **Uygun iş giysileri giyin. Çalışırken çok bol giysiler giymeyin ve takı takmayın. Şarjlarınız, giysilerinizi ve eldivenlerinizi aletin hareketli parçalarından uzak tutun.** Bol giysiler, takılar veya uzun saçlar aletin hareketli parçaları tarafından tutulabilir.
 - g) **Aletinize çok emme donanımı ve toz tutma donanımı takılabiliyorsa, bunların bağlı olup olmadığını ve doğru işlev görüp görmediklerini kontrol edin.** Toz emme donanımının kullanımı tozdan kaynaklanabilecek tehlikeleri azaltır.
- #### 4) ELEKTRİKLİ EL ALETLERİYLE DİKKATLİ ÇALIŞMAK VE ALETİ DOĞRU KULLANMAK
- a) **Aletinizi aşırı ölçüde zorlamayın. İşinize uygun elektrikli el aletini kullanın.** Uygun elektrikli el aleti ile belirtilen performans alanında daha iyi ve daha güvenli çalışırsınız.
 - b) **Açma/kapama şalteri arızalı olan elektrikli el aletini kullanmayın.** Açılıp kapanamayan bir elektrikli el aleti tehlikelidir ve onarılması gerekir.
 - c) **Alette bir ayarlama işlemine başlamadan ve/veya aküyü çıkarmadan önce, herhangi bir aksesuarı değiştirirken veya aleti elinizden bırakırken fişi prizden çekin.** Bu önlem, aletin kontrolünüz dışında ve istenmeden çalışmasını önler.
 - d) **Kullanım dışında iken elektrikli el aletinizi çocukların ulaşamayacağı bir yerde saklayın. Aleti kullanmayı bilmeyen veya bu güvenlik talimatını okumayan kişilerin aleti kullanmasına izin vermeyin.** Deneyimsiz kişiler tarafından kullanıldıkları takdirde elektrikli el aletleri tehlikeli olabilirler.
 - e) **Aletinizin bakımını özenle yapın. Aletin hareketli parçalarının kusursuz işlev görüp görmediklerini ve**

sıkışmadıklarını, parçaların kırık veya hasarlı olup olmadıklarını kontrol edin, aksi takdirde alet işlevini tam olarak yerine getiremez. Aletinizi kullanmadan önce hasarlı parçaları onartın. Birçok iş kazası aletlerin kötü ve yetersiz bakımından kaynaklanır.

- f) Kesici uçları keskin ve temiz tutun. İyi bakım görmüş kesici uçlar daha ender sıkışır ve daha iyi yönlendirilirler.
- g) Elektrikli el aletlerini, aksesuarı, uçları ve benzerlerini bu güvenlik talimatına uygun olarak kullanın. Aletinizi kullanırken çalışma koşullarını ve yaptığınız işi daima dikkate alın. Elektrikli el aletlerini kendileri için öngörülen işlerin dışında kullanmak tehlikeli durumların ortaya çıkmasına neden olabilir.
- 5) **AKÜLÜ ALETLERLE DİKKATLİ ÇALIŞMAK VE ALETLERİ DOĞRU KULLANMAK**
- a) Aküleri sadece üretici tarafından tavsiye edilen şarj cihazlarında şarj edin. Belirli bir tür akü için geliştirilmiş bir şarj cihazının değişik bir akü için kullanılması yangın tehlikesine yol açar.
- b) Elektrikli el aletlerinde sadece o alet için öngörülen aküleri kullanın. Başka akülerin kullanılması yaralanmalara ve yangın tehlikesinin ortaya çıkmasına neden olabilir.
- c) Kullanım dışında bulunan aküleri, kontaklar arasında köprüleme yapma olasılığı bulunan büro ataçları, madeni paralar, anahtarlar, çiviler, vidalar veya diğer küçük metal eşya ve cisimlerden uzak tutun. Akü kontakları arasındaki bir kısa devre yanmalara veya yangın çıkmasına neden olabilir.
- d) Yanlış kullanım durumunda akünün dışına sıvılar sızabilir. Bu sıvılara temas etmeyin. Yanlışlıkla aküden sızan sıvılara temas ederseniz, temas yerini hemen su ile yıkayın. Eğer söz konusu sıvı gözünüze kaçacak olursa hemen bir hekime başvurun. Aküden dışarı sızan sıvılar cildinizde tahrişlere veya yanmalara neden olabilir.

6) SERVİS

- a) Aletinizi sadece uzman bir elemana ve orijinal yedek parçalar kullanılarak onartın. Böylelikle aletin güvenliğini korumuş olursunuz.

AKÜLÜ DELME / VIDALAMA MAKİNESİ İÇİN GÜVENLİK TALİMATI

- İş parçasının vida, çivi ve benzeri malzeme tarafından hasar görmemesi için dikkatli olun; çalışmaya başlamadan önce bunları çıkartın
- Güç geriliminin, şarj cihazın özellik plakasında belirtilen voltaj değeriyle aynı olduğunu sık sık kontrol edin
- Alet normal çalışmıyorsa veya değişik gürültüler geliyorsa, aleti hemen kapatın veya şarj cihazın fişini prizden çekin
- SKIL sadece orijinal aksesuarlar kullanıldığında aletin düzgün çalışmasını garanti eder
- Bu aletle kullanacağınız aksesuar edilen devir sayısı en azından aletin boştaki en yüksek devir sayısı kadar olmalıdır
- Alet/şarj cihazı, güvenliklerinden sorumlu bir kişi tarafından aletin/şarj cihazın kullanımı ile ilgili gözetim ve açıklama sağlanmadığı takdirde fiziksel, duyuşsal ya da zihinsel olarak gelişmemiş ya da yeterli bilgi ve deneyime

sahip olmayan kişiler (çocuklar dahil) tarafından kullanılmamalıdır

- Çocukları aletle/şarj cihazıyla oynamasını engelleyin
- Çalıştığınız parçayı sabitleyin** (kıskaçlarla ya da mengeneyle sabitlemiş bir iş parçası elle tutulan işten daha güvenilirdir)
- Çalışma esnasından uç veya vidanın görünmeyen elektrik kablolarına veya kendi bağlantı kablosuna temas etme olasılığı olan işleri yaparken aleti sadece izolasyonlu tutamaklarından tutun** (gerilim ileten kablolarla temas elektrikli el aletinin metal parçalarında da elektrik akımına maruz bırakabilir ve elektrik çarpmasına neden olabilir)
- Görünmeyen elektrik kablolarını belirlemek için uygun bir tarama cihazı kullanın veya yerel akım ikmal şirketlerinden yardım isteyin** (elektrik kablolarıyla temas, yangın çıkmasına veya elektrik çarpmalarına neden olabilir; bir gaz borusu hasar görürse patlama tehlikesi ortaya çıkar; bir su borusunun delinmesi halinde maddi hasarlar meydana gelebilir veya elektrik çarpması tehlikesi ortaya çıkabilir)
- Bu aletle asbest içeren malzemeleri işlemeyin** (asbest kanserojen bir madde kabul edilir)
- Kurşun içeren boya, bazı ahşap türleri, mineral ve metal gibi malzemelerden çıkan toz zararlı olabilir (tozla temasta bulunulması veya solunması operatörde veya yakında bulunan kişilerde alerjik reaksiyonlara ve/veya solunum yolu hastalıklarına neden olabilir); **toz maskesi takın ve toz ekstraksiyon cihazıyla çalışın (bağlanabiliyorsa)**
- Bazı toz tipleri (örneğin meşe ve kayın ağacı tozu), bilhassa ahşap yenileme katkı maddeleriyle birlikte, kanserojenik olarak sınıflandırılır; **toz maskesi takın ve toz ekstraksiyon cihazı ile çalışın (bağlanabiliyorsa)**
- Çalışmak istediğiniz malzemelerin, toz ile ilgili ulusal taleplerini takip ediniz
- Herhangi bir aksesuar değişikliği yada ayarlama yapmadan veya cihaz hareket halindeyken ve/veya boşta bekler vaziyette iken, B ² düğmesinin orta pozisyonunda (kilit pozisyonu) olduğuna emin olunuz

ŞARJ/BATARYALAR

- Bataryayı sadece aletle birlikte teslim edilen şarj cihazı ile şarj edin
- Şarj cihazı içindeki kontaklara dokunmayın
- Aleti, şarj cihazını ve bataryayı hiçbir zaman yağmur altında bırakmayın
- Aleti, şarj cihazını ve bataryayı daima 0° - 40° arasındaki oda sıcaklığında saklayın
- Bataryayı nemli ve ıslak ortamlarda şarj etmeyin
- Piller ateşe maruz kaldığında patlar, bu yüzden herhangi bir nedenle pili yakmayın
- Hasarlı şarj cihazını çalıştırmayın, test yapmak üzere sözleşmeli bir SKIL servisinde getirin
- Kablo veya fiş hasarlı ise şarj cihazını kullanmayın, hasarlı kablo veya fişi sözleşmeli bir SKIL servisinde yeniletin
- Hasarlı batarya'ları kullanmayın, hemen yenileyin
- Şarj cihazını ve bataryayı hiçbir zaman sökmeyi denemeyin
- Şarj edilemeyen aküleri şarj cihazı ile şarj etmeyi denemeyin

ŞARJ ALETİ/PİL ÜZERİNDEKİ SIMGELERİN AÇIKLAMASI

- ③ Kullanmadan önce kılavuzu okuyun
- ④ Şarj aletini yalnızca kapalı yerlerde kullanın
- ⑤ Çift yalıtım (topraklama kablosu gerekli değildir)
- ⑥ Şarj aleti bağlantısının hatalı kutup bağlantısının olması bir tehlikeye neden olabilir (pili yalnızca birlikte gelen şarj aletiyle şarj edin)
- ⑦ Şarj aleti çok ısındığında otomatik olarak kapanır (termik sigorta yanar ve şarj aleti kullanılmaz hale gelir)
- ⑧ Şarj cihazını evdeki çöp kutusuna atmayınız
- ⑨ Bataryayı evdeki çöp kutusuna atmayınız

KULLANIM

- Bataryanın şarjı ⑩
 - yeni aletler şarjlı değildir
 - şarj cihazını gösterildiği gibi prize takın
 - bataryayı şarj cihazına yerleştirin
 - kırmızı ışık H yandığında bataryanın şarj edilmekte olduğunu gösterir
 - bataryayı şarj cihazına bağlı olduğu ve şarj cihazı duvar prizinde olduğu süre boyunca kırmızı ışığı H yanacaktır
- ! **şarj işlemleri bittikten sonra batarya şarj cihazından çıkarılmalıdır; bu yolla bataryanın kullanım ömrü uzar**

ÖNEMLİ:

- akü 3 saat şarj süresinde olduktan sonra kullanıma hazırdır
- şarj işlemi sırasında bataryayı ve şarj cihazı ısınabilir; bu normaldir ve bir sorun değildir
- şarj cihazına takmadan önce, bataryanın dış yüzeyinin temiz ve kuru olduğundan emin olun
- 0°'nin altında ve 45°'nin üstündeki sıcaklıklarda şarj işleminden kaçının, çünkü bu durumda şarj cihazı ve batarya hasar görebilir
- alet çalışır durumda iken bataryayı çıkarmayın
- ! **yeni veya uzun süre kullanılmamış bir batarya ancak yaklaşık 5 kez şarj/deşarj olduktan sonra tam performansına ulaşır**
- aletle kısa çalıştıktan sonra ve her defasında bataryayı şarj etmeyin; bu durumda aşınma hızlanır
- aletinizi uzun süre kullanmayacaksınız, şarj cihazının şebeke fişini prizden çekin

- Açma/kapama şalteri ⑪
- Düzgün başlama için hız kontrolü ⑫
- Dönüş yönünü değiştirme ⑬
 - sol/sağ pozisyonları doğru olarak kilitleme yapmadığı takdirde, açma/kapama şalteri A 2 çalışmaz

! **dönüş yönünü sadece alet tamamen dururken değiştirin**

- Uçları değiştirme ⑭
 - uçları yuvaya mümkün olduğu kadar çok itin
 - ! **hasarlı uçları kullanmayın**
- Tork kontrolü (VariTorque) ⑮
 - kuplaj halkası D, 1'den 5'e doğru çevrildikçe tork yükselir; E pozisyonunda kuplaj bloke olur ve ağır delme ve vidalama işleri yapılabilir
 - bir vidayı takarken önce VariTorque'ünün 1. pozisyonu ile başlayın, daha sonra istediğiniz derinliğe ulaşıncaya kadar yavaş yavaş torku yükseltin

- Aletin tutulması ve kullanılması ⑯
 - ! **çalışma esnasında, aleti daima gri renkli bölge(ler)den tutun(uz)**
 - havalandırma yuvalarını F 2 açık tutun
 - alete çok fazla baskı uygulamayın, bırakın alet sizin için çalışsın

UYGULAMA

- Uygun uçları kullanın ⑰
 - ! **sadece keskin uçlar kullanın**
- Metalde delik açarken
 - önce küçük bir kılavuz delik açın
 - matkap uçlarını belirli aralıklarla yağlayın
- Bir tahtanın baş kısmına veya sonuna bir vida vidalanırken, tahtanın yarılmaması için bir ön kılavuz delik açın
- Aletin optimal kullanımını için vidanın üzerine sürekli baskı uygulanmalıdır
- Sert tahtaya vidalama yapmadan önce, bir ön kılavuz delik açılmalıdır
- Tahtada çatlaksız delme ⑱
- Duvarlarda tozsuz delme ⑲
- Tavanlarda tozsuz delme ⑳
- Fayans üzerinde kaydırmadan delme ㉑
- Daha fazla ipucu için www.skil.com sitesini gezin

BAKIM / SERVİS

- Bu alet profesyonel kullanıma yönelik değildir
- Aletinizi ve şarj cihazınızı daima temiz tutun
 - kontak yerlerini alkol veya kontak temizleme maddesi ile temizleyin
- ! **şarj cihazını temizlemeden önce, cihazın fişini prizden çekin**
- Dikkatli biçimde yürütülen üretim ve test yöntemlerine rağmen aleti/şarj cihazı arıza yapacak olursa, onarım SKIL elektrikli aletleri için yetkili bir serviste yapılmalıdır
 - aleti veya şarj cihazını ambalajıyla birlikte satın alma belgenizi ekleyerek satıcınıza veya en yakın SKIL servisine ulaştırın (adresler ve aletin servis şemaları www.skil.com adresinde listelenmiştir)
 - şarj cihazının arızalı olması durumunda **şarj cihazını ve pili** satıcınıza veya SKIL servis istasyonuna gönderin

ÇEVRE

- **Elektrikli aletlerini, aksesuarları ve ambalajları evdeki çöp kutusuna atmayınız** (sadece AB ülkeleri için)
 - kullanılmış elektrikli aletleri, elektrik ve elektrikli eski cihazlar hakkındaki 2012/19/EC Avrupa yönergelerine göre ve bu yönergeler ulusal hukuk kurallarına göre uyarlanarak, ayrı olarak toplanmalı ve çevre şartlarına uygun bir şekilde tekrar değerlendirmeye gönderilmelidir
 - sembol ⑧ size bunu anımsatmalıdır
- Batarya çevre koruma hükümlerine uygun olarak tasfiye edilmeli, ev çöplerine karışmamalıdır (sembol ⑨ size bunu anımsatmalıdır)
 - ! **bataryayı tasfiye etmeden önce, kaçak akımları önlemek üzere batarya uçlarını ağır bir bantla sarın**

UYGUNLUK BEYANI ÇE

Aküülü delme/vidalama makinesi 2395

Teknik veriler ①

- Tek sorumlu olarak "Teknik veriler" bölümünde tanımlanan ürünün aşağıdaki norm veya normatif belgelere uygunluğunu beyan ederiz: EN 60745 (alet), EN 60335 (şarj cihaz), EN 61000, EN 55014, yönetmeliği hükümleri uyarınca 2006/42/EG, 2014/35/EU, 2014/30/EU, 2011/65/EU
- **Teknik belgelerin bulunduğu merkez:** SKIL Europe BV (PT-SEU/ENG1), 4825 BD Breda, NL

Marijn van der Hoofden
Operations & Engineering

Olaf Dijkgraaf
Approval Manager

SKIL Europe BV, 4825 BD Breda, NL

21.10.2014

GÜRÜLTÜ/TİTREŞİM

- Ölçülen EN 60745 göre ses basıncı bu makinanın seviyesi <70 dB(A) (standart sapma: 3 dB) ve titreşim * m/s^2 (el-kol metodu; tolerans $K = 1,5 m/s^2$)
 - * metalde delerken <2,5 m/s^2
 - * vidalama yaparken <2,5 m/s^2
 - Titreşim emisyon seviyesi EN 60745'te sunulan standart teste göre ölçülmüştür; bu seviye, bir aleti bir başkasıyla karşılaştırmak amacıyla ve aletin söz konusu uygulamalarda kullanılması sırasında titreşime maruz kalma derecesinin ön değerlendirmesi olarak kullanılabilir
 - aletin farklı uygulamalar için veya farklı ya da bakımı yetersiz yapılmış aksesuarlarla kullanılması, maruz kalma seviyesini belirgin biçimde **artırabilir**
 - aletin kapalı olduğu veya çalıştığı ancak gerçek anlamda iş yapmadığı zamanlarda, maruz kalma seviyesi belirgin biçimde **azalabilir**
- ! aletin ve aksesuarlarının bakımını yaparak, ellerinizi sıcak tutarak ve iş modellerinizi düzenleyerek kendinizi titreşimin etkilerinden koruyun**

PL

Akumulatorowa wiertarko-wkrętarka

2395

WSTĘP

- Narzędzie to przeznaczone jest do wiercenia w drewnie, metalu, cegle, kamieniu, ceramice i tworzywach sztucznych; elektronicznie regulację prędkości wiertarki z prawym i lewym biegiem doskonale sprawdzają się również jako wkrętarki oraz gwinciaraki
- Narzędzie nie jest przeznaczone do zastosowań profesjonalnych
- Przeczytać i zachować niniejszą instrukcję obsługi ③

DANE TECHNICZNE ①

Maks. moment obrotowy twardego wkręcania wg ISO 5393 : 26 Nm

ELEMENTY NARZĘDZIA ②

- A Przycisk włącznik/wyłącznik i regulator prędkości
- B Przelącznik zmiany kierunku rotacji
- C Szybkozaciskowy uchwyt wiertarski
- D Pierścień nastawy sprzęgła
- E Pozycja zabezpieczona (sprzęgło)
- F Szczeliny wentylacyjne
- G Ładowarka
- H Czerwona lampka ładowania

BEZPIECZEŃSTWO

OGÓLNE PRZEPISY BEZPIECZEŃSTWA

UWAGA! Należy przeczytać wszystkie wskazówki i przepisy. Błędy w przestrzeganiu poniższych wskazówek mogą spowodować porażenie prądem, pożar i/lub ciężkie obrażenia ciała. **Należy starannie przechowywać wszystkie przepisy i wskazówki bezpieczeństwa dla dalszego zastosowania.** Użyte w poniższym tekście pojęcie "elektronarzędzie" odnosi się do elektronarzędzi zasilanych energią elektryczną z sieci (z przewodem zasilającym) i do elektronarzędzi zasilanych akumulatorami (bez przewodu zasilającego).

1) BEZPIECZEŃSTWO MIEJSCA PRACY

- a) **Miejsce pracy należy utrzymywać w czystości i dobrze oświetlone.** Nieporządek lub nie oświetlone miejsce pracy mogą doprowadzić do wypadków.
- b) **Nie należy pracować tym narzędziem w otoczeniu zagrożonym wybuchem, w którym znajdują się np. łatwopalne ciecze, gazy lub pyły.** Elektronarzędzia wytwarzają iskry, które mogą podpalić ten pył lub pary.
- c) **Elektronarzędzie trzymać podczas pracy z daleka od dzieci i innych osób.** Przy nieuważce można stracić kontrolę nad narzędziem.

2) BEZPIECZEŃSTWO ELEKTRYCZNE

- a) **Wtyczka urządzenia musi pasować do gniazda. Nie wolno modyfikować wtyczki w jakikolwiek sposób. Nie należy używać wtyczek adapterowych razem z uzziemnionymi narzędziami.** Niezmienione wtyczki i pasujące gniazda zmniejszają ryzyko porażenia prądem.
- b) **Należy unikać kontaktu z uzziemnionymi powierzchniami jak rury, grzejniki, piece i lodówki.** Istnieje zwiększone ryzyko porażenia prądem, gdy Państwa ciało jest uzziemnione.
- c) **Urządzenie należy przechowywać zabezpieczone przed deszczem i wilgocią.** Wniknięcie wody do elektronarzędzia podwyższa ryzyko porażenia prądem.
- d) **Nigdy nie należy używać kabla do innych czynności. Nigdy nie używać kabla do noszenia urządzenia za kibel, zawieszania lub do wyciągania wtyczki z gniazda. Kabel należy trzymać z daleka od wysokich temperatur, oleju, ostrych krawędzi lub ruchomych części urządzenia.** Uszkodzone lub poplątane kable zwiększają ryzyko porażenia prądem.

- e) W przypadku, kiedy elektronarzędziem pracuje się na świeżym powietrzu należy używać kabla przedłużającego, który dopuszczony jest do używania na zewnątrz. Użycie dopuszczonego do używania na zewnątrz kabla przedłużającego zmniejsza ryzyko porażenia prądem.
- f) Jeżeli nie da się uniknąć zastosowania elektronarzędzia w wilgotnym otoczeniu, należy użyć wyłącznika ochronnego różnicowo-prądowego. Zastosowanie wyłącznika ochronnego różnicowo-prądowego zmniejsza ryzyko porażenia prądem.
- 3) BEZPIECZEŃSTWO OSÓB**
- a) Należy być uważnym, uważać na to co się robi i pracę elektronarzędziem rozpoczynać z rozsądkiem. Nie należy używać urządzenia gdy jest się zmęczonym lub pod wpływem narkotyków, alkoholu lub lekarstw. Moment nieuwagi przy użyciu urządzenia może doprowadzić do poważnych urażeń ciała.
- b) Należy nosić osobiste wyposażenie ochronne i zawsze okulary ochronne. Noszenie osobistego wyposażenia ochronnego jak maska przeciwpyłowa, nie ślizgające się buty robocze, hełm ochronny lub ochrona słuchu, w zależności od rodzaju i zastosowania elektronarzędzia zmniejsza ryzyko obrażeń ciała.
- c) Należy unikać niezamierzonego uruchomienia narzędzia. Przed włożeniem wtyczki do gniazdka i/ lub podłączeniem do akumulatora, a także przed podniesieniem lub przeniesieniem elektronarzędzia, należy upewnić się, że elektronarzędzie jest wyłączone. Trzymanie palca na wyłączniku podczas przenoszenia elektronarzędzia lub podłączenie do prądu włączanego narzędzia, może stać się przyczyną wypadków.
- d) Zanim urządzenie zostanie włączone należy usunąć narzędzia nastawcze lub klucze. Narzędzie lub klucz, które znajdują się w ruchomych częściach urządzenia mogą doprowadzić do obrażeń ciała.
- e) Nie należy przeceniać swoich możliwości. Należy dbać o bezpieczną pozycję pracy i zawsze utrzymywać równowagę. Przez to możliwa jest lepsza kontrola urządzenia w nieprzewidzianych sytuacjach.
- f) Należy nosić odpowiednie ubranie. Nie należy nosić luźnego ubrania lub biżuterii. Włosy, ubranie i rękawice należy trzymać z daleka od ruchomych elementów. Luźne ubranie, biżuteria lub długie włosy mogą zostać pociągnięte przez poruszające się części.
- g) W przypadku, kiedy możliwe jest zamontowanie urządzeń odsysających lub podchwytyjących należy upewnić się, czy są one właściwie podłączone i prawidłowo użyte. Użycie urządzenia odsysającego pył może zmniejszyć zagrożenie pyłami.
- 4) UWAGNE OBCOWANIE ORAZ UŻYCI ELEKTRONARZĘDZIA**
- a) Nie należy przeciążać urządzenia. Do pracy używać przewidziane. Odpowiednim narzędziem pracuje się lepiej i bezpieczniej w podanym zakresie sprawności.
- b) Nie należy używać elektronarzędzia, którego wyłącznik/wyłącznik jest uszkodzony. Elektronarzędzie, którego nie można włączyć lub wyłączyć jest niebezpieczne i musi zostać naprawione.
- c) Przed regulacją urządzenia, wymianą osprzętu lub po zaprzestaniu pracy narzędziem, należy wyciągnąć wtyczkę z gniazda i/lub usunąć akumulator. Ten środek ostrożności zapobiega niezamierzonemu włączeniu się urządzenia.
- d) Nie używane elektronarzędzia należy przechowywać poza zasięgiem dzieci. Nie należy udostępniać narzędzia osobom, które jego nie umieją lub nie przeczytały tych przepisów. Używane przez niedoświadczone osoby elektronarzędzia są niebezpieczne.
- e) Urządzenie należy starannie konserwować. Należy kontrolować, czy ruchome części urządzenia funkcjonują bez zarzutu i nie są zablokowane, czy części nie są pęknięte lub uszkodzone, co mogłoby mieć wpływ na prawidłowe funkcjonowanie urządzenia. Uszkodzone narzędzie należy przed użyciem urządzenia oddać do naprawy. Wiele wypadków spowodowanych jest przez niewłaściwą konserwację elektronarzędzi.
- f) Osprzęt tnący należy utrzymywać ostry i czysty. Starannie pielęgnowany osprzęt tnący z ostrymi krawędziami tnącymi blokuje się rzadziej i łatwiej się używa.
- g) Elektronarzędzia, osprzęt, narzędzia itd. należy używać odpowiednio do tych przepisów. Uwzględnić należy przy tym warunki pracy i czynność do wykonania. Użycie elektronarzędzi do innych niż przewidziane prace może doprowadzić do niebezpiecznych sytuacji.
- 5) UWAGNE OBCOWANIE I UŻYWANIE NARZĘDZI ZASILANYCH AKUMULATORAMI**
- a) Akumulatory należy ładować tylko w ładowarkach, które polecił producent. W ładowarce, która nadaje się do ładowania określonych akumulatorów istnieje niebezpieczeństwo pożaru, gdy użyte zostaną inne akumulatory.
- b) Do elektronarzędzi należy używać jedynie przewidzianych do tego akumulatorów. Użycie innych akumulatorów może doprowadzić do obrażeń ciała i niebezpieczeństwa pożaru.
- c) Nie używany akumulator należy trzymać z daleka od spinaczy, monet, kluczy, gwoździ, śrub lub innych małych przedmiotów metalowych, które mogłyby spowodować zwarcie kontaktów. Zwarcie pomiędzy kontaktami akumulatora może spowodować oparzenia lub pożar.
- d) Przy niewłaściwym użyciu możliwe jest wydostanie się cieczy z akumulatora. Należy unikać kontaktu z nią. Przy przypadkowym kontakcie splukać wodą. W przypadku, że ciecz dostała się do oczu należy dodatkowo skonsultować się z lekarzem. Ciecz akumulatorowa może doprowadzić do podrażnienia skóry lub oparzeń.
- 6) SERWIS**
- a) Naprawę urządzenia należy zlecić jedynie kwalifikowanemu fachowcowi i przy użyciu oryginalnych części zamiennych. To gwarantuje, że bezpieczeństwo użytkowania zostanie zachowane.

PRZEPISY BEZPIECZEŃSTWA DO AKUMULATOROWEJ WIERTARKO-WKRĘTARKI

- Uwaga na gwoździe, śruby i inne twarde przedmioty; przed przystąpieniem do obróbki powinny być usunięte z obrabianego przedmiotu; usunąć je przed rozpoczęciem pracy
- Każdorazowo należy sprawdzać, czy napięcie zasilania jest zgodne z napięciem podanym na tabliczce znamionowej ładowarka
- W przypadku wadliwego działania mechanicznych lub elektrycznych elementów urządzenia, należy bezzwocznie odłączyć narzędzie przy ładowarce wyjąć wtyczkę z gniazda sieciowego
- SKIL może zagwarantować bezawaryjne działanie narzędzia tylko przy korzystaniu z oryginalnego wyposażenia dodatkowego
- Używać tylko akcesoriów, których dopuszczalna prędkość obrotowa jest co najmniej tak wysoka jak najwyższa prędkość obrotowa urządzenia na biegu bez obciążenia
- Urządzenie/ładowarki nie może być obsługiwane przez osoby (włącznie z dziećmi) o obniżonych zdolnościach fizycznych, sensorycznych lub umysłowych, nieposiadające stosownego doświadczenia i wiedzy, chyba że używają go pod nadzorem osoby odpowiedzialnej za ich bezpieczeństwo lub zostały przez nią odpowiednio poinstruowane w zakresie obsługi urządzenia/ładowarka
- Upewnić się, że dzieci nie bawią się urządzeniem/ładowarkiem
- **Należy zabezpieczyć miejsce przeznaczone do zszycia** (miejsce przeznaczone do zszycia umieszczone w zaciskach lub imadle jest utrzymywane w miejscu bezpieczniej niż w ręku)
- **Podczas wykonywania prac, przy których narzędzie robocze lub śruba mogłoby natrafić na ukryte przewody elektryczne lub na własny przewód zasilający, elektronarzędzie należy trzymać za izolowane powierzchnie rękojeści** (kontakt z przewodem sieci zasilającej może spowodować przekazanie napięcia na części metalowe elektronarzędzia, co mogłoby spowodować porażenie prądem elektrycznym)
- **Aby wykryć ukryte przewody zasilające należy używać stosownych detektorów lub porozumieć się z miejscowymi zakładami energetycznymi** (kontakt z przewodami elektrycznymi może doprowadzić do pożaru i porażenia elektrycznego; uszkodzenie przewodu gazowego może doprowadzić do wybuchu; uszkodzenie przewodów instalacji wodociągowej powoduje szkody rzeczowe i może spowodować porażenie elektryczne)
- **Nie należy obrabiać materiału zawierającego azbest** (azbest jest rakotwórczy)
- Pył pochodzący z takich materiałów, jak farby zawierające ołów, niektóre gatunki drzewa, minerały i metal może być szkodliwy (kontakt z nim lub wdychanie takiego pyłu może powodować reakcje alergiczne i/lub niewydolność oddechową u operatora lub osób towarzyszących); **należy zakładać maskę przeciwpyłową i pracować z urządzeniem odsysającym, jeżeli można je podłączyć**

- Niektóre rodzaje pyłu są zaklasyfikowane jako rakotwórcze (takie, jak pył dębu i buka) szczególnie w połączeniu z dodatkami do kondycjonowania drewna; **należy zakładać maskę przeciwpyłową i pracować z urządzeniem odsysającym pył, jeżeli można je podłączyć**
- Należy stosować się do lokalnych wymogów dotyczących pracy w otoczeniu pyłu powstającego podczas obróbki materiału
- Przed regulacją elektronarzędzia, wymianą osprzętu, w czasie transportu lub podczas przechowywania należy upewnić się czy przełącznik B ② znajduje się w środkowym (blokada) położeniu (zabezpieczony)

ŁADOWANIE/AKUMULATORY

- Do ładowania akumulatorów wykorzystywać tylko znajdującą się w wyposażeniu ładowarkę
- Nie dotykać styków ładowarki
- Elektronarzędzie/ładowarka/akumulator powinny być zawsze suche i nie poddawane oddziaływaniom opadów atmosferycznych
- Elektronarzędzie/ładowarka/akumulator powinny być zawsze przechowywane w pomieszczeniu o temperaturze poniżej 40°C oraz powyżej 0°C
- Nie ładować akumulatora w wilgotnych lub mokrych środowiskach
- Akumulatory w kontakcie z ogniem mogą eksplodować, więc nie wolno ich pod żadnym pozorem spalać
- Nie próbować uruchamiać uszkodzonej ładowarki; należy ją dostarczyć do autoryzowanego punktu serwisowego elektronarzędzi firmy SKIL
- Nie używać ładowarki w przypadku stwierdzenia uszkodzenia kabla zasilającego lub wtyku, ładowarkę należy dostarczyć do autoryzowanego punktu serwisowego elektronarzędzi firmy SKIL
- Uszkodzony akumulator natychmiast wymienić i nie używać do pracy
- Nigdy nie demontować ładowarki czy akumulatora
- Nigdy nie próbować ładowania jednorazowych baterii

OBJAŚNIENIE SYMBOLI NA ŁADOWARCE/AKUMULATORACH

- ③ Przed użyciem przeczytaj instrukcję obsługi
- ④ Ładowarki używaj tylko we wnętrzach
- ⑤ Podwójna izolacja (brak uziemienia)
- ⑥ Nieprawidłowa polaryzacja podłączenia ładowarki jest niebezpieczna (ładuj akumulatory tylko za pomocą ładowarki dostarczonej w komplecie)
- ⑦ Automatyczne wyłączenie w momencie przegrzania ładowarki (bezpieczniki termiczne i ładowarka przestaną działać)
- ⑧ Nie wyrzucaj ładowarki wraz z odpadami z gospodarstwa domowego
- ⑨ Nie wyrzucaj akumulatora wraz z odpadami z gospodarstwa domowego

UŻYTKOWANIE

- Ładowanie akumulatora ⑩
 - akumulatory nowe dostarczane są w stanie nienaładowanym
 - podłączyć ładowarkę do sieci, jak pokazano
 - wprowadzić akumulator do gniazda ładowarki
 - zapali się czerwona lampka H sygnalizując, że akumulator jest w trakcie ładowania

- czerwona lampka H będzie świecić się tak długo jak akumulator będzie podłączone do ładowarki a ładowarka do gniazdka

! po zakończeniu procesu ładowania należy wyjąć akumulator z gniazda ładowarki, przedłuża to żywotność akumulatora

UWAGA:

- po 3 godzinach akumulator jest naładowany i może zostać wykorzystany
- podczas ładowania zarówno akumulator jak i ładowarka mogą się nagrzewać; co jest zjawiskiem prawidłowym
- przed instalacją akumulatora w ładowarce upewnić się, że jego zewnętrzna powierzchnia jest czysta i sucha
- należy uniknąć ładowania w temperaturze poniżej 0°C i powyżej 45°C; może nastąpić uszkodzenie ładowarki i akumulatora
- podczas pracy akumulatora nie wolno wyjmować z elektronarzędzia

! nowy lub dłuższy czas nieużywany akumulator osiąga swoją pełną wydajność dopiero po ok. 5 cyklach ładowania/wyładowania

- nie należy doładowywać akumulatora po krótkim okresie pracy przed jego rozładowaniem, powoduje to zmniejszenie żywotności akumulatora
- po zakończeniu pracy wyjąć wtyk ładowarki z gniazda sieciowego

- Włącznik/wyłącznik ⑪
- Regulacja prędkości dla płynnego startu ⑫
- Zmiana kierunku obrotów ⑬
 - w przypadku niewłaściwej pozycji przełącznika w lewo/prawo przycisk włącznika/wyłącznika A ② jest zablokowany

! kierunek obrotów zmieniać tylko wtedy, gdy narzędzie jest całkowicie zatrzymane

- Wymiana wiertła ⑭
 - wsunąć wiertło możliwie głęboko w uchwyt
- ! nie używać wiertła ze zniszczonym uchwytem**
- Kontrola momentu obrotowego (VariTorque) ⑮
 - wielkość momentu zwiększa się pokręcając pierścieniem sprzęgła D z położenia 1 do 5; w położeniu E funkcja sprzęgła jest wyłączona umożliwiając wykonywanie wiercenia i wkręcania wymagających dużych momentów obrotowych
 - dobierając wielkość momentu obrotowego rozpoczynać próby wkręcania od położenia 1 i następnie zwiększać wielkość momentu aż do osiągnięcia wymaganej głębokości wkręcenia
- Utrzymywanie i prowadzenie narzędzia ⑯
 - ! podczas pracy zawsze trzymać narzędzie za uchwyt(y) ograniczone szarym kolorem**
 - szczeliny wentylacyjne F ② powinny być odkryte
 - nie przyciskać urządzenia zbyt silnie; pozwól mu pracować dla siebie

WSKAZÓWKI UŻYTKOWANIA

- Używać właściwych wiertel ⑰
 - ! używać tylko ostrych wiertel**
- Wiercenie otworów w metalach, w skład których wchodzi żelazo
 - podczas wiercenia dużych otworów należy wstępnie wywiercić mały otwór

- od czasu do czasu naoliwić wiertło
- W celu uniknięcia rozwarstwiania przedmiotów drewnianych przy wkręcaniu wkrętów na brzegu należy otwór odpowiednio nawiercić
- Przy wkręcaniu, a szczególnie przy wkręcaniu wymagane jest wywieranie stałego nacisku na łeb wkręta
- Przy wkręcaniu wkrętów w twarde drewno wykonać otwór wstępny
- Przewiercanie przedmiotów drewnianych bez wyrwania krawędzi ⑱
- Bezpyłowe wiercenie w ścianie ⑲
- Bezpyłowe wiercenie w suficie ⑳
- Wiercenie bez poślizgu w płytkach ceramicznych ㉑
- Więcej wskazówek można znaleźć pod adresem www.skil.com

KONSERWACJA / SERWIS

- Narzędzie nie jest przeznaczone do zastosowań profesjonalnych
- Elektronarzędzie oraz ładowarka z kablem powinno być zawsze czyste
 - styki ładowarki czyścić alkoholem lub odpowiednim preparatem do czyszczenia styków
- ! przed przystąpieniem do wykonywania jakichkolwiek czynności obsługowych przy ładowarce wyjąć wtyk z gniazda sieciowego**
- Jeśli narzędzie/ładowarkę, mimo dokładnej i wszechstronnej kontroli produkcyjnej ulegnie kiedykolwiek awarii, naprawę powinien przeprowadzić autoryzowany serwis elektronarzędzi firmy SKIL
 - odesłać **nierozebrany** narzędzie lub ładowarkę, wraz z dowodem zakupu, do dealera lub do najbliższego punktu usługowego SKIL (adresy oraz diagram serwisowy narzędzenia znajdują się na stronach www.skil.com)
 - w razie awarii ładowarki należy przestać **zarówno ładowarkę, jak i akumulator** do dealera albo najbliższego punktu usługowego SKIL

ŚRODOWISKO

- **Nie wyrzucaj elektronarzędzi, akcesoriów i opakowania wraz z odpadami z gospodarstwa domowego** (dotyczy tylko państw UE)
 - zgodnie z Europejską Dyrektywą 2012/19/WE w sprawie zużytego sprzętu elektrotechnicznego i elektronicznego oraz dostosowaniem jej do prawa krajowego, zużyte elektronarzędzia należy posegregować i zutylizować w sposób przyjazny dla środowiska
 - w przypadku potrzeby pozbycia się narzędzia, akcesoriów i opakowania - symbol ⑧ przypomni Ci o tym
- Po zużyciu należy postępować akumulator z zasadami ochrony środowiska i w żadnym wypadku nie wyrzucać do śmietników przydomowych (przypomina o tym symbol ⑨)
 - ! przed oddaniem akumulatora do punktu odbioru surowców wtórnych zabezpieczyć taśmą jego styki w celu uniknięcia powstawania prądów pełzających**

DEKLARACJA ZGODNOŚCI CE

Akumulatorowa wiertarko-wkrętarka 2395

Dane techniczne ①

- Oświadczamy z pełną odpowiedzialnością, że produkt, przedstawiony w "Dane techniczne", odpowiada wymaganiom następujących norm i dokumentów normatywnych: EN 60745 (narzędzia), EN 60335 (ładowarka), EN 61000, EN 55014, zgodnie z wymaganiami dyrektyw 2006/42/EU, 2014/35/UE, 2014/30/UE, 2011/65/UE
- **Dokumentacja techniczna:** SKIL Europe BV (PT-SEU/ENG1), 4825 BD Breda, NL

Marijn van der Hoofden
Operations & Engineering

Olaf Dijkgraaf
Approval Manager

SKIL Europe BV, 4825 BD Breda, NL

21.10.2014

HAŁASU/WIBRACJE

- Pomiarów dokonano zgodnie z normą EN 60745 ciśnienie akustyczne narzędzia wynosi <70 dB(A) (poziom odchylenie: 3 dB), zaś wibracje * m/s² (metoda dłoń-ręka; błąd pomiaru K = 1,5 m/s²)
 - * podczas wiercenia w metalie <2,5 m/s²
 - * podczas wkręcania <2,5 m/s²
 - Poziom emisji wibracji został zmierzony zgodnie z testem standaryzowanym podanym w EN 60745; może służyć do porównania jednego narzędzia z innym i jako ocena wstępna narażenia na wibracje w trakcie używania narzędzia do wymienionych zadań
 - używanie narzędzia do innych zadań, lub z innymi albo źle utrzymanymi akcesoriami, może znacząco **zwiększyć** poziom narażenia
 - przypadki, kiedy narzędzie jest wyłączone lub jest czynne, ale aktualnie nie wykonuje zadania, mogą znacząco **zmniejszyć** poziom narażenia
- ! należy chronić się przed skutkami wibracji przez konserwację narzędzia i jego akcesoriów, zakładanie rękawic i właściwą organizację pracy**

RU

Акумуляторная дрель-шуруповерт

2395

ВВЕДЕНИЕ

- Данный инструмент предназначен для сверления отверстий в дереве, металле, кирпичу, природному, керамике или пластике; приборы с электронной системой регулирования скорости и с правым и левым вращением пригодны также для завинчивания (напр., винтов/болтов) и нарезания резьбы
- Данный инструмент не подходит для промышленного использования
- Прочитайте и сохраните с данной инструкцией ③

ТЕХНИЧЕСКИЕ ДАННЫЕ ①

Макс. крутящий момент завинчивания при соединении жестких конструкционных материалов по ИСО 5393 : 26 Nm

ДЕТАЛИ ИНСТРУМЕНТА ②

- A Курок-выключатель вкл/выкл и регулятор скорости
- B Выключатель для изменения направления вращения
- C Быстрозажимной патрон
- D Кольцо для контроля крутящего момента
- E Фиксированное положение (муфты)
- F Вентиляционные отверстия
- G Зарядное устройство
- H Красная лампочка заряда аккумулятора

БЕЗОПАСНОСТЬ

ОСНОВНЫЕ ИНСТРУКЦИИ ПО ТЕХНИКЕ БЕЗОПАСНОСТИ

⚠ ВНИМАНИЕ! Прочтите все указания и инструкции по технике безопасности. Упущения, допущенные при соблюдении указаний и инструкций по технике безопасности, могут стать причиной электрического поражения, пожара и тяжелых травм. **Сохраняйте эти инструкции и указания для будущего использования.** Использованное в настоящих инструкциях и указаниях понятие "электроинструмент" распространяется на электроинструмент с питанием от сети (с кабелем питания от электросети) и на аккумуляторный электроинструмент (без кабеля питания от электросети).

1) БЕЗОПАСНОСТЬ РАБОЧЕГО МЕСТА

- Соблюдайте чистоту и поддерживайте надлежащую освещенность на рабочем месте.** Беспорядок на рабочем месте или его плохое освещение могут привести к несчастным случаям.
- Не используйте с электроинструментом во взрывоопасной среде, т.е. в непосредственной близости от легковоспламеняющихся жидкостей, газов или пыли.** В процессе работы электроинструмент искрит и искры могут воспламенить газы или пыль.
- При работе с электроинструментом не допускайте детей или посторонних на Ваше рабочее место.** Отвлечение Вашего внимания может привести к потере контроля над работой инструмента.

2) ЭЛЕКТРИЧЕСКАЯ БЕЗОПАСНОСТЬ

- Штепсельная вилка кабеля питания электроинструмента должна соответствовать розетке электросети. Не вносите никаких изменений в конструкцию вилки. Не используйте адапторы для электроинструмента с защитным заземлением.** Заводские штепсельные вилки и соответствующие им сетевые розетки существенно снижают вероятность электрошока.

- b) **Избегайте механических контактов с такими заземленными поверхностями, как трубопроводы, системы отопления, плиты и холодильники.** При соприкосновении человека с заземленными предметами во время работы инструментом вероятность электрошока существенно возрастает.
- c) **Оберегайте электроинструмент от воздействия дождя и влаги.** Попадание воды в электроинструмент повышает вероятность электрического удара.
- d) **Используйте кабель строго по назначению. Не допускается тянуть и передвигать электроинструмент за кабель или использовать кабель для вытягивания вилки из розетки. Оберегайте кабель инструмента от воздействия высоких температур, масла, острых кромок или движущихся частей электроинструмента.** Поврежденный или спутанный кабель повышает возможность электрического удара.
- e) **При работе на улице используйте удлинитель, предназначенный для работы вне помещения.** Использование такого удлинителя снижает вероятность электрического удара.
- f) **Если невозможно избежать применения электроинструмента в сыром помещении, то устанавливайте устройство защиты от утечки в землю.** Использование устройства защиты от утечки в землю снижает риск электрического поражения.

3) ЛИЧНАЯ БЕЗОПАСНОСТЬ

- a) **Будьте внимательны, следите за тем, что Вы делаете и выполняйте работу обдуманно. Не пользуйтесь электроинструментом, если Вы устали или находитесь под воздействием транквилизаторов, алкоголя или медицинских препаратов.** Секундная потеря концентрации в работе с электроинструментом может привести к серьезным травмам.
- b) **Используйте средства индивидуальной защиты. Защитные очки обязательны.** Средства индивидуальной защиты, такие как противопылевой респиратор, нескользящая защитная обувь, шлем-каска, средства защиты органов слуха применяются в соответствующих условиях работы обстоятельствах и минимизируют возможность получения травм.
- c) **Предотвращайте непреднамеренное включение электроинструмента. Перед подключением электроинструмента к электропитанию и/или к аккумулятору убедитесь в выключенном состоянии электроинструмента.** Если Вы при транспортировке электроинструмента держите палец на выключателе или включенный электроинструмент подключаете к сети питания, то это может привести к несчастному случаю.
- d) **Во избежание травм перед включением инструмента удалите регулировочный или гаечный ключ из вращающейся части инструмента.**
- e) **Не переоценивайте свои возможности. Твердо стойте на ногах и удерживайте равновесие. В**

- таком положении вы сможете лучше контролировать инструмент в неожиданных ситуациях.
 - f) **Используйте подходящую рабочую одежду. Не надевайте свободную одежду и украшения. Волосы, одежда и перчатки должны находиться подальше от движущихся частей электроинструмента.** Свободная одежда, украшения или длинные волосы легко могут попасть в движущиеся части электроинструмента.
 - g) **При наличии пылеотсасывающих и пылесборных приспособлений убедитесь в том, что они подсоединены и используются надлежащим образом.** Применение пылеотсоса может снизить опасность, создаваемую пылью.
- ### 4) ЭКСПЛУАТАЦИЯ И УХОД ЗА ЭЛЕКТРОИНСТРУМЕНТОМ
- a) **Не перегружайте инструмент. Используйте тот инструмент, который предназначен для данной работы.** С подходящим инструментом Вы выполните работу лучше и надежнее, используя весь диапазон его возможностей.
 - b) **Не используйте инструмент с неисправным выключателем.** Инструмент с неисправным выключателем опасен и подлежит ремонту.
 - c) **До начала наладки электроинструмента, замены принадлежностей или прекращения работы отключайте штепсельную вилку от розетки сети и/или выньте аккумулятор.** Данная мера предосторожности предотвращает случайное включение инструмента.
 - d) **Храните неиспользуемый электроинструмент в недоступном для детей месте и не позволяйте использовать его лицам, не умеющим с ним обращаться или не ознакомленным с инструкцией по эксплуатации.** Электроинструменты представляют собой опасность в руках неопытных пользователей.
 - e) **Электроинструмент требует надлежащего ухода. Проверяйте безупречность функции подвижных частей, лёгкость их хода, целостность всех частей и отсутствие повреждений, которые могут негативно сказаться на работе инструмента. При обнаружении повреждений сдайте инструмент в ремонт.** Большое число несчастных случаев связано с неудовлетворительным уходом за электроинструментом.
 - f) **Режущие части инструмента необходимо поддерживать в заточенном и чистом состоянии.** При надлежащем уходе за режущими принадлежностями с острыми кромками они режут заклиниваются и инструмент лучше поддается контролю.
 - g) **Используйте электроинструмент, принадлежности, биты и т.д. в соответствии с данными инструкциями, исходя из особенностей условий и характера выполняемой работы.** Использование электроинструмента не по назначению может привести к опасным последствиям.

5) ЭКСПЛУАТАЦИЯ И УХОД ЗА АККУМУЛЯТОРНЫМ ЭЛЕКТРОИНСТРУМЕНТОМ

- a) **Зарядка аккумуляторной батареи производится только на тех зарядных устройствах, которые рекомендованы изготовителем.** Использование нерегламентированных зарядных устройств для зарядки аккумуляторной батареи может привести к возгоранию.
 - b) **В электроинструменте надлежит использовать только те аккумуляторные батареи, которые предусмотрены для данного инструмента.** Использование других аккумуляторных батарей может привести к травмам и возникновению пожарной опасности.
 - c) **Не оставляйте аккумуляторную батарею рядом с металлическими предметами – канцелярскими скрепками, монетами, ключами, гвоздями, винтами и другими металлическими предметами, которые могут замкнуть контакты.** Короткое замыкание контактов аккумуляторной батареи может привести к ожогам или пожару.
 - d) **В случаях ненадлежащего обращения с аккумуляторной батареей из нее может вытечь жидкость. Избегайте контакта с ней. При случайном попадании жидкости на кожу – промойте водой. При попадании жидкости в глаза, обратитесь также за помощью к врачу.** Вытекшая аккумуляторная жидкость может привести к раздражению кожи или ожогам.
- ## 6) СЕРВИСНОЕ ОБСЛУЖИВАНИЕ
- a) **Передавайте инструмент на сервисное обслуживание только квалифицированному персоналу, использующему только подлинные запасные части.** Это обеспечит сохранение безопасности электроинструмента.

УКАЗАНИЯ ПО БЕЗОПАСНОСТИ ДЛЯ АККУМУЛЯТОРНЫХ ДРЕЛЕЙ-ШУРУПОВЕРТОВ

- Избегайте повреждений, которые могут быть вызваны винтами, гвоздями и прочими элементами, находящимися в обрабатываемом предмете; перед началом работы их нужно удалить
- Обязательно убедитесь, что напряжение питания соответствует напряжению, указанному на фирменном штемпеле зарядного устройства
- В случае механической или электрической неисправности немедленно выключите инструмент или отсоедините зарядное устройство от источника питания
- SKIL обеспечивает надёжную работу инструмента только при использовании соответствующих приспособлений
- Использовать только принадлежности, предельно допустимая скорость вращения которых не меньше, чем максимальная скорость вращения прибора на холостом ходу
- Инструмент/зарядное устройство не должен использоваться лицами (включая детей) с ограниченными физическими, сенсорными или умственными способностями, или лицами, не имеющими достаточного опыта и знаний, за исключением случаев, когда они работают под

надзором или проинструктированы в вопросах использования инструмента/зарядного устройства лицом, ответственным за их безопасность

- Убедитесь, что дети не имеют возможности играть с инструментом/зарядным устройством
 - **Закрепите обрабатываемую деталь** (обрабатываемая деталь, зафиксированная посредством зажимных устройств или тисков, закрепляется лучше, нежели при помощи рук)
 - **При выполнении работ, при которых рабочий инструмент или шуруп может задеть скрытую электропроводку или собственный сетевой кабель, держите электроинструмент за изолированные ручки** (контакт с находящейся под напряжением проводкой может привести к удару электрическим током)
 - **Используйте подходящие металлодетекторы для нахождения скрытых проводов снабжения или наведите справки в местных предприятиях коммунального хозяйства** (контакт с электропроводкой может привести к пожару и электрическому удару; повреждение газопровода может привести к взрыву; повреждение водопровода может привести к повреждению имущества или вызвать электрический удар)
 - **Не обрабатывайте материалы с содержанием асбеста** (асбест считается канцерогеном)
 - Пыль от таких материалов, как свинцовосодержащая краска, некоторые породы дерева, минералы и металл, может быть вредна (контакт с такой пылью или ее вдыхание может стать причиной возникновения у оператора или находящихся рядом лиц аллергических реакций и/или респираторных заболеваний); **надевайте респиратор и работайте с пылеудаляющим устройством при включении инструмента**
 - Некоторые виды пыли классифицируются как канцерогенные (например, дубовая или буковая пыль), особенно в сочетании с добавками для кондиционирования древесины; **надевайте респиратор и работайте с пылеудаляющим устройством при включении инструмента**
 - Следуйте принятым в вашей стране требованиям/нормативам относительно пыли для тех материалов, с которыми вы собираетесь работать
 - Убедитесь в том, что выключатель В ② находится в центральном положении (выключен) перед тем, как Вы начнете выполнять настройку инструмента или смену принадлежностей, а также при переноске и хранении инструмента
- ## ЗАРЯДКА/АККУМУЛЯТОРЫ
- Для зарядки аккумулятора используйте только зарядное устройство, поставляемое с инструментом
 - Не касайтесь контактов зарядного устройства
 - Исключите возможность попадания дождя на инструмент, зарядное устройство и аккумулятор
 - В зоне хранения инструмента, зарядного устройства и аккумулятора температура не должна подниматься выше 40°C и падать ниже 0°C
 - Не заряжайте аккумулятор в сырых или влажных условиях

- При попадании в огонь батареи взрываются, поэтому ни в коем случае не сжигайте батареи
- Запрещается использовать поврежденное зарядное устройство; отвезите его в официально зарегистрированный центр обслуживания SKIL для проверки безопасности работы
- Запрещается использовать зарядное устройство при повреждении шнура или вилки; немедленно замените шнур или вилку в одном из официально зарегистрированных центров обслуживания SKIL
- Запрещается использовать поврежденный аккумулятор; немедленно замените его
- Запрещается разбирать зарядное устройство или аккумулятор
- Запрещается использовать зарядное устройство для зарядки аккумуляторов или батарей, неподлежащих зарядке

ПОЯСНЕНИЕ К УСЛОВНЫМ ОБОЗНАЧЕНИЯМ НА ЗАРЯДНОМ УСТРОЙСТВЕ/БАТАРЕЕ

- ③ Перед использованием ознакомьтесь инструкцию по применению
- ④ Используйте зарядное устройство только в помещении
- ⑤ Двойная изоляция (заземляющий провод не требуется)
- ⑥ Неправильная полярность при подключении зарядного устройства опасна (заряжать батарею только зарядным устройством, поставляемым в комплекте с инструментом)
- ⑦ Автоматическая отключение в случае перегрева зарядного устройства (термический предохранитель перегорает, и зарядное устройство становится бесполезным)
- ⑧ Не выкидывайте зарядное устройство вместе с бытовым мусором
- ⑨ Не выкидывайте аккумулятор вместе с бытовым мусором

ИСПОЛЬЗОВАНИЕ

- Зарядка аккумулятора ⑩
 - аккумулятор новых инструментов заряжен не полностью
 - присоедините зарядное устройство к сети как показано
 - вставьте аккумулятор в зарядное устройство
 - зажжется красная лампочка H, указывая, что аккумулятор заряжается
 - красная лампочка H будет гореть до тех пор, пока аккумулятор подсоединен к зарядному устройству, подключенному к стенной розетке
- ! **выньте аккумулятор из зарядного устройства после окончания зарядки; это позволит увеличить срок службы аккумулятора**
- ВАЖНАЯ ИНФОРМАЦИЯ:
 - после 3-х часов подзарядка аккумуляторной батареи будет завершена, и ее можно использовать
 - во время зарядки зарядное устройство и аккумулятор могут стать горячими; это не говорит о неисправности
 - перед тем как вставить аккумуляторную батарею в зарядное устройство, очистите и высушите наружную поверхность батареи
 - запрещается проводить зарядку при температуре ниже 0°C и выше 45°C; это может привести к

серьезным повреждениям аккумулятора и зарядного устройства

- запрещается демонтировать аккумулятор во время работы инструмента
- ! **новый или долгое время не использовавшийся аккумулятор достигает свою полную емкость только приблизительно после 5 циклов зарядки/разрядки**
- запрещается подзаряжать аккумулятор вскоре после начала работы; это может привести к уменьшению рабочего времени и снижению эффективности аккумулятора
- если ожидаются длительные периоды, в течение которых инструмент не будет использован, рекомендуется отсоединить зарядное устройство от источника питания
- Выключатель вкл/выкл ⑪
- Чувствительный курок выключателя (реагирует на силу нажатия изменением скорости) ⑫
- Изменение направления вращения ⑬
 - выключатель вкл/выкл A ② не работает, если не установлен в положение лево/право
- ! **изменять направление вращения следует только в момент полной остановки инструмента**
- Сменные биты ⑭
 - вставьте бит в патрон до упора
- ! **не используйте биты с поврежденным ствольом**
- Регулировка крутящего момента (VariTorque) ⑮
 - крутящий момент будет увеличиваться при вращении зажимного кольца муфты D от положения 1 до положения 5; в положении E муфта блокируется для обеспечения возможности сверления или выполнения других работ в условиях большой нагрузки
 - при заворачивании винтов, вначале установите регулировочное кольцо муфты VariTorque в положение 1 и затем увеличивайте крутящий момент пока не будет получена требуемая глубина заворачивания
- Удержание и направление инструмента ⑯
 - ! **во время работы, всегда держите инструмент за места правильного хвата, которые обозначены серым цветом**
 - содержите вентиляционные отверстия F ② не закрытыми
 - не прилагайте чрезмерных усилий к инструменту, дайте инструменту поработать за Вас

СОВЕТЫ ПО ИСПОЛЬЗОВАНИЮ

- Используйте только надлежащие биты ⑰
 - ! **не пользуйтесь затупившимися битами**
- Сверление черных металлов
 - при сверлении отверстия большего диаметра сначала просверлите отверстие меньшего диаметра
 - периодически смазывайте сверло
- При завинчивании шурупа в месте поперечного среза или рядом с ним, а также на кромке деревянной детали рекомендуем во избежание образования трещин сначала просверлить отверстие

- Для обеспечения оптимального режима работы инструмента нажимайте на винт с постоянным усилием при заворачивании и, особенно, при отворачивании
- При заворачивании в твердое дерево предварительно просверлите отверстие для винта
- Сверление по дереву без расщепления материала (18)
- Сверление в стенах без пыли (19)
- Сверление в потолках без пыли (20)
- Сверлению по кафелю без проskalывания (21)
- См дополнительную информацию на сайте www.skil.com

ТЕХОБСЛУЖИВАНИЕ / СЕРВИС

- Данный инструмент не подходит для промышленного использования
- Содержите инструмент и зарядное устройство в чистоте
 - для очистки зарядных контактов в зарядном устройстве используйте спирт или средство для очистки контактов
- ! **перед очисткой отсоедините зарядное устройство от источника питания**
- Если инструмент/зарядное устройство, несмотря на тщательные методы изготовления и испытания, выйдет из строя, то ремонт следует производить силами авторизованной сервисной мастерской для электроинструментов фирмы SKIL
 - отправьте **неразобранный** инструмент или зарядное устройство со свидетельством покупки Вашему дилеру или в ближайшую станцию обслуживания фирмы SKIL (адреса и схема обслуживания инструмента приведены в вебсайте www.skil.com)
 - в случае неисправного зарядного устройства отправьте **зарядное устройство и батарею** дилеру или в отдел обслуживания SKIL

ОХРАНА ОКРУЖАЮЩЕЙ СРЕДЫ

- **Не выкидывайте электроинструмент, принадлежности и упаковку вместе с бытовым мусором** (только для стран ЕС)
 - во исполнение европейской директивы 2012/19/ЕС об утилизации отслужившего свой срок электрического и электронного оборудования и в соответствии с действующим законодательством, утилизация электроинструментов производится отдельно от других отходов на предприятиях, соответствующих условиям экологической безопасности
 - значок (8) напомним Вам об этом, когда появится необходимость сдать электроинструмент на утилизацию
- Этим инструментом содержит аккумуляторы; нельзя допускать их взаимодействия с окружающей средой и утилизацию их как обычных домашних отходов (об этом напоминает символ (9))

! **перед тем как выбросить аккумуляторы или направить их на утилизацию, изолируйте клеммы аккумуляторов прочной изоляционной лентой для исключения короткого замыкания**

ДЕКЛАРАЦИЯ О СООТВЕТСТВИИ СТАНДАРТАМ СЕ

Аккумуляторная дрель-шурупверт 2395

Технические данные (1)

- С полной ответственностью мы заявляем, что описанный в разделе "Технические данные" продукт соответствует нижеследующим стандартам или нормативным документам: EN 60745 (инструмент), EN 60335 (зарядное устройство), EN 61000, EN 55014 согласно положениям директив 2006/42/EC, 2014/35/EC, 2014/30/EC, 2011/65/EC
- **Техническая документация у:** SKIL Europe BV (PT-SEU/ENG1), 4825 BD Breda, NL

Marijn van der Hoofden
Operations & Engineering

Olaf Dijkgraaf
Approval Manager




SKIL Europe BV, 4825 BD Breda, NL

21.10.2014

- Информация о сертификате соответствия расположена на последней странице настоящей Инструкции
- Сертификаты соответствия хранятся по адресу: ООО "Роберт Бош" ул. Акад. Королёва, 13, стр. 5 Россия, 129515, Москва **С января 2014 г.** Вашутинское шоссе, влад. 36 Россия, 141446 г.о. Химки
- **Дата производства** указана на последней странице настоящей инструкции
- Информацию об **импортере** изделия можно найти на упаковке

ШУМНОСТИ/ВИБРАЦИИ

- При измерении в соответствии со стандартом EN 60745 уровень звукового давления для этого инструмента составляет <70 дБ (А) (стандартное отклонение: 3 дБ) и вибрации - * м/с² (по методу для рук; недостоверность K = 1,5 м/с²)
 - * при сверлении в металле <2,5 м/с²
 - * при заворачивании <2,5 м/с²
- Уровень вибрации был измерен в соответствии со стандартизированным испытанием, содержащимся в EN 60745; данная характеристика может использоваться для сравнения одного инструмента с другим, а также для предварительной оценки воздействия вибрации при использовании данного инструмента для указанных целей
 - при использовании инструмента в других целях или с другими/неисправными вспомогательными приспособлениями уровень воздействия вибрации может значительно **повышаться**
 - в периоды, когда инструмент отключен или функционирует без фактического выполнения работы, уровень воздействия вибрации может значительно **снижаться**

! захищайте себе от воздействия вибрации, поддерживая инструмент и его вспомогательные приспособления в исправном состоянии, поддерживая руки в тепле, а также правильно организовую свой рабочий процесс

UA

Бездротова дріль/викрутка 2395

ВСТУП

- Пристрій призначений для свердління по дереву, металу, цеглі, природному камені, керамечі та синтетичному матеріалі; прилади з електронною системою регулювання швидкості з правим та лівим обертанням придатні також для загвинчування та нарізання різьби
- Цей інструмент не придатний для промислового використання
- Прочитайте і збережіть цю Інструкцію з експлуатації ③

ТЕХНІЧНІ ДАНІ ①

Макс.обертальний момент при закручуванні в жорсткі матеріали відп. до ISO 5393 : 26 Nm

ЕЛЕМЕНТИ ІНСТРУМЕНТА ②

- A Вимикач для вкл./викл та регулювання швидкості
- B Вимикач для зміни напряму обертання
- C Подвійний безключовий патрон
- D Кільце для регулювання моменту обертання
- E Фіксоване положення (муфти)
- F Вентиляційні отвори
- G Зарядний пристрій
- H Червоний індикатор зарядного пристрою

БЕЗПЕКА

ЗАГАЛЬНІ ВКАЗІВКИ З ТЕХНІКИ БЕЗПЕКИ

⚠ УВАГА! Прочитайте всі попередження і вказівки. Недодержання попереджень і вказівок може призводити до удару електричним струмом, пожежі та/ або серйозних травм. **Добре зберігайте на майбутнє ці попередження і вказівки.** Під поняттям “електроприлад” в цих попередженнях мається на увазі електроприлад, що працює від мережі (з електрокабелем) або від акумуляторної батареї (без електрокабелю).

1) БЕЗПЕКА НА РОБОЧОМУ МІСЦІ

- a) **Примайте своє робоче місце в чистоті та прибирайте його.** Безлад або погане освітлення на робочому місці можуть призводити до нещасних випадків.
- b) **Не працюйте з приладом у середовищі, де існує небезпена вибуху внаслідок присутності горючих рідин, газів або пилу.** Електроприлади

можуть породжувати іскри, від яких може займатися пил або пари.

- c) **Під час працювання з приладом не підпускайте до робочого місця дітей та інших людей.** Ви можете втратити контроль над приладом, якщо Ваша увага буде відвернута.

2) ЕЛЕКТРИЧНА БЕЗПЕКА

- a) **Штепсель приладу повинен пасувати до розетки. Не дозволяється що-небудь міняти в штепселі.** Для роботи з приладами, що мають захисне заземлення, не використовуйте адаптери. Використання оригінального штепселя та належної розетки зменшує ризик удару електричним струмом.
- b) **Уникайте контакту частей тіла із заземленими поверхнями, як напр., трубами, батареями опалення, печами та холодильниками.** Коли Ваше тіло заземлене, існує збільшена небезпена удару електричним струмом.
- c) **Захищайте прилад від дощу та вологи.** Попадання води в електроінструмент збільшує ризик удару електричним струмом.
- d) **Не використовуйте кабель для перенесення приладу, підвішування або витягування штепселя з розетки. Захищайте кабель від жару, олії, гострих країв та деталей приладу, що рухаються.** Пошкоджений або закручений кабель збільшує ризик удару електричним струмом.
- e) **Для зовнішніх робіт обов'язково використовуйте лише такий подовжувач, що допущений для зовнішніх робіт.** Використання подовжувача, що розрахований на зовнішні роботи, зменшує ризик удару електричним струмом.
- f) **Якщо не можна запобігти використанню електроприладу у вологому середовищі, використовуйте пристрій захисту від витоків в землю.** Використання зростою захисту від витоків в землю зменшує ризик удару електричним струмом.

3) БЕЗПЕКА ЛЮДЕЙ

- a) **Будьте уважними, слідуйте за тим, що Ви робите, та розсудливо поведіться під час роботи з електроприладом. Не користуйтеся приладом, якщо Ви стомлені або знаходитесь під дією наркотиків, спиртних напоїв або лік.** Мить неувважності при користуванні приладом може призводити до серйозних травм.
- b) **Вдягайте особисте захисне спорядження та обов'язково вдягайте захисні окуляри.** Вдягання особистого захисного спорядження, як напр., - в залежності від виду робіт - захисної маски, спецвзуття, що не ковзається, каски або навушників, зменшує ризик травм.
- c) **Уникайте ненавмисного вмикання. Перш ніж вмикати електроприлад в електромережу або встромляти акумуляторну батарею, брати його в руки або переносити, впевніться в тому, що електроприлад вимкнений.** Тримання пальця на вимикачі під час перенесення електроприладу або встромляння в розетку увімкненого приладу може призводити до травм.
- d) **Перед тим, як вмикати прилад, приберіть налагоджувальні інструменти та гайковий ключ.** Знаходження налагоджувального інструмента або

- ключа в деталі, що обертається, може призводити до травм.
- e) **Не переоцінюйте себе. Зберігайте стійке положення та завжди зберігайте рівновагу.** Це дозволить Вам краще зберігати контроль над приладом у несподіваних ситуаціях.
- f) **Вдягайте придатний одяг. Не вдягайте просторий одяг та прикраси. Не підставляйте волосся, одяг та рукавиці близько до деталей приладу, що рухаються.** Просторий одяга, прикраси та довге волосся можуть попадати в деталі, що рухаються.
- g) **Якщо існує можливість монтувати пиловідсмоктувальні або пилоуловлювальні пристрої, переконайтеся, щоб вони були добре під'єднані та правильно використовувалися.** Використання пиловідсмоктувального пристрою може зменшити небезпеки, зумовлені пилом.
- 4) ПРАВИЛЬНЕ ПОВОДЖЕННЯ ТА КОРИСТУВАННЯ ЕЛЕКТРОПРИЛАДАМИ**
- a) **Не перевантажуйте прилад. Використовуйте такий прилад, що спеціально призначений для певної роботи.** З придатним приладом Ви з меншим ризиком отримаєте кращі результати роботи, якщо будете працювати в зазначеному діапазоні потужності.
- b) **Не користуйтеся приладом з пошкодженим вимикачем.** Прилад, який не можна увімкнути або вимкнути, є небезпечним і його треба відремонтувати.
- c) **Перед тим, як регулювати що-небудь на приладі, міняти приладдя або ховати прилад, витягніть штепсель із розетки та/або витягніть акумуляторну батарею.** Ці попереджувальні заходи з техніки безпеки зменшують ризик ненавмисного запуску приладу.
- d) **Зберігайте електроприлади, якими Ви саме не користуєтесь, далеко від дітей. Не дозволяйте користуватися електроприладом особам, що не знайомі з його роботою або не читали ці вказівки.** У разі застосування недосвідченими особами прилади несуть в собі небезпеку.
- e) **Старанно дглядайте за приладом. Перевірте, щоб рухомі деталі приладу бездоганно працювали та не заїдали, не були поламаними або настільки пошкодженими, щоб це могло вплинути на функціонування приладу. Пошкоджені деталі треба відремонтувати в авторизованій майстерні, перш ніж ними можна знову користуватися.** Велика кількість нещасних випадків спричиняється поганим доглядом за електроприладами.
- f) **Тримайте різальні інструменти добре нагостреними та в чистоті.** Старанно доглянуті різальні інструменти з гострим різальним краєм менше застряють та їх легше вести.
- g) **Використовуйте електроприлади, приладдя до них, робочі інструменти т.і. відповідно до цих вказівок. Беріть до уваги при цьому умови роботи та специфіку виконуваної роботи.** Використання електроприладів для робіт, для яких вони не передбачені, може призводити до небезпечних ситуацій.

5) ПРАВИЛЬНЕ ПОВОДЖЕННЯ ТА КОРИСТУВАННЯ ЕЛЕКТРОПРИЛАДАМИ, ЩО ПРАЦЮЮТЬ НА АКУМУЛЯТОРНИХ БАТАРЕЯХ

- a) **Заряджуйте акумуляторні батареї лише в заряджувальних пристроях, рекомендованих виготовлювачем.** Використання заряджувальних пристроїв для акумуляторних батарей, для яких він не передбачений, може призводити до пожежі.
- b) **Використовуйте в електроприладах лише рекомендовані акумуляторні батареї.** Використання інших акумуляторних батарей може призводити до травм та пожежі.
- c) **Не зберігайте акумуляторну батарею, якою Ви саме не користуєтесь, поряд із канцелярськими скріпками, ключами, гвіздками, гвинтами та іншими невеликими металевими предметами, які можуть спричинити переминання контактів.** Коротке замикання між контактами акумуляторної батареї може спричинити опіки або пожежу.
- d) **При неправильному використанні з акумуляторної батареї може потекти рідина. Уникайте контакту з нею. При випадковому контакті промийте відповідне місце водою. Якщо рідина потрапила в очі, додатково зверніться до лікаря.** Акумуляторна рідина може спричинити подразнення шкіри або опік.
- 6) СЕРВІС**
- a) **Відавайте свій прилад на ремонт лише кваліфікованим фахівцям та лише з використанням оригінальних запчастин.** Це забезпечить безпеку приладу на довгий час.

ВКАЗІВКИ ПО БЕЗПЕЦІ ДЛЯ ДРИЛЬ/ВИКРУТКИ З АКУМУЛЯТОРНИМ ЖИВЛЕННЯМ

- Не допускайте пошкоджень, які можуть нанести шурупи, цвяхи і інші елементи вашої виробу; видаліть їх перед початком роботи
- Обов'язково переконайтеся, що напруга струму відповідає напрузі, вказаній на фірмовому штампелі інструмента
- У випадку електричної чи механічної несправності негайно вимкніть інструмент або відключіть зарядний пристрій від електрики
- SKIL гарантує надійну роботу інструмента тільки при використанні відповідного приладдя
- Використовуйте лише приладдя, припустима швидкість обертання якого як мінімум відповідає найвищій швидкості інструмента без навантаження
- Інструмент/зарядний пристрій не може використовуватися особами (включаючи дітей) з обмеженими фізичними, сенсорними або розумовими здібностями, або особами, які не мають достатньо досвіду та знань за виключенням випадків, коли вони працюють під наглядом або пройшли інструктаж щодо використання інструменту/зарядного пристрою з боку особи, яка відповідає за їх безпеку
- Переконайтеся, що діти не мають змоги гратися з інструментом/зарядним пристроєм
- **Зафіксуйте оброблювану деталь** (оброблювана деталь, зафіксована за допомогою затискних

- пристроїв або лещат, закріплюється краще, ніж вручну)
- **При роботах, коли робочий інструмент або гвинт може зачепити заховану електророзводку або власний шнур живлення, тримайте електроінструмент за ізольовані рукоятки** (зачеплення проводки, що знаходиться під напругою, може заряджувати також і металеві частини електроінструмента та призводити до удару електричним струмом)
 - **Використовуйте придатні пошукові прилади для знаходження захованих в будівлі труб та кабелів або зверніться за допомогою в місцеве підприємство електро-, газо- та водопостачання** (зачеплення електророзводки може призводити до пожежі та удару електричним струмом; зачеплення газової труби може призводити до вибуху; зачеплення водопровідної труби може завдати шкоду матеріальним цінностям або призводити до удару електричним струмом)
 - **Не обробляйте матеріали, що містять асбест** (асбест вважається канцерогенним)
 - Пил від таких матеріалів, як свинцовоутримуюча фарба, деякі породи дерева, мінерали й метал, може бути шкідливим (контакт із таким пилом або його вдихання може стати причиною виникнення в оператора або осіб, що перебувають поруч, алергійних реакцій і/або респіраторних захворювань); **надягайте респіратор і працюйте з пиловидальючим пристроєм під час увімкнення інструмента**
 - Деякі види пилу класифікуються як канцерогенні (наприклад, дубовий або буковий пил), особливо в сполученні з добавками для кондиціонування деревини; **надягайте респіратор і працюйте з пиловидальючим пристроєм під час увімкнення інструмента**
 - Слідуйте інструкціям по роботі з матеріалами, продуцуючими пил
 - Преконайтеся що бігунець вимикач **В 2** в середньому положенні (блокування) перед будь-якими налагодками чи замінами приладдя, тоді коли ви тримаєте або поклали інструмент

ЗАРЯДЖАННЯ/АКУМУЛЯТОР

- Заряджайте акумулятор тільки зарядним пристроєм, яким комплектується інструмент
- Не торкайтесь клем зарядного пристрою
- Не підвергайте інструмент/зарядний пристрій/акумулятор дії дощу
- Зберігайте інструмент/зарядний пристрій/акумулятор при температурі не меншій 0°C та не більшій 40°C
- Не заряджайте акумулятор у вологих або вогких приміщеннях
- При влученні у вогонь батареї вибухають, тому в жодному разі не спалюйте батареї
- Не використовуйте пошкоджені зарядний пристрій - віднесіть їх до сертифікованого SKIL сервісного центру для безпечної починки
- Не використовуйте зарядний пристрій коли пошкоджені дріт або вилка; вони мають бути негайно замінені в SKIL сервіс центрі

- Не використовуйте пошкоджені акумулятор; негайно від'єднайте його від інструмента
- Не розбирайте акумулятор чи зарядний пристрій самостійно
- Не намагайтесь заряджати акумулятори, що не підлягають повторній зарядці, зарядним пристроєм до цього інструмента

ПОЯСНЕННЯ ДО УМОВНИХ ПОЗНАЧОК НА ЗАРЯДНОМУ ПРИСТРОЇ/БАТАРЕЇ

- 3 Перед використанням прочитайте інструкцію із застосування
- 4 Використовуйте зарядний пристрій тільки у приміщенні
- 5 Подвійна ізоляція (заземлюючий провід не потрібен)
- 6 Неправильна полярність при підключенні зарядного пристрою є небезпечною (заряджайте батарею тільки зарядним пристроєм, що поставляється в комплекті з інструментом)
- 7 Автоматичне відключення у випадку перегрівання зарядного пристрою (термічний запобіжник перегоріє, і зарядний пристрій стає непотрібним)
- 8 Не викидайте зарядний пристрій разом зі звичайним сміттям
- 9 Не викидайте акумулятор разом зі звичайним сміттям

ВИКОРИСТАННЯ

- Заряджання акумулятора **(10)**
 - акумулятор нового інструмента заряджений не на повну ємність
 - під'єднайте зарядний пристрій до джерела живлення як показано на малюнку
 - вставте батарею до зарядника
 - загориться червона лампочка H, указуючи на те, що акумулятор заряджається
 - червона лампочка H буде горіти, доки акумулятор приєднаний до зарядного пристрою, що є підключеним до стінної розетки
- ! **від'єднайте акумулятор від зарядного пристрою після закінчення періоду заряджання, це продовжить термін робочої експлуатації акумулятора**

ВАЖЛИВО:

- заряджання акумулятора займає 3 години, після чого акумулятор готовий до використання
- під час заряджання, зарядний пристрій та акумулятор можуть стати теплими на дотик; це нормально і не свідчить про виникнення несправностей приладу
- переконайтесь, що акумулятор чистий та сухий перед тим як під'єднати його до зарядного пристрою
- не заряджайте при температурі нижчій 0°C та вищій 45°C; це серйозно шкодить як акумулятору так і зарядному пристрою
- не від'єднуйте акумулятор під час роботи інструмента
- ! **нова акумуляторна аба то, що не використовувалася протягом тривалого періоду часу, потребує для досягнення своєї повної ємності приблизно 5 циклів заряджання/озряджання**

- не заряджайте повторно акумулятор після короткого використання; це може спричинити зменшення ємності акумулятора, що в свою чергу вплине на час роботи інструмента
- якщо ви не будете користуватись інструментом довгий час, то від'єднайте зарядний пристрій від джерела електроенергії
- Вкл/Викл ①
- Контроль швидкості для плавного пуску ⑫
- Зміна напрямку обертання ⑬
 - при неповній установці положення лів/прав пусковий виключачель А ② не працює
- ! **мінуйте напрям обертання тільки при повній зупинці інструмента**
- Заміна насадок ⑭
 - введіть насадку в патрон до упору
 - ! **не використовуйте насадки з пошкодженим стовбуром**
- Регулювання моменту обертання (VarTorque) ⑬
 - вихідний момент обертання буде зростати, якщо крутити кулачок D від 1 до 5; положення E заблокує кулачок, що дозволить свердлити або туго загвинчувати
 - коли вгвинчуєте саморіз спочатку спробуйте першу позицію VarTorque 1, потім починаючи нарощувати, поки потрібна глибина вкручування не буде досягнута
- Утримування і робота інструментом ⑮
 - ! **під час роботи, завжди тримайте інструмент за частини захвату сірого кольору**
 - тримайте вентиляційні отвори F ② незакритими
 - не тисніть на інструмент; дайте інструменту можливість працювати за вас

ПОРАДИ ПО ВИКОРИСТАННЮ

- Використовуйте відповідні насадки ⑰
 - ! **не використовуйте тупі насадки**
- Свердління чорних металів
 - попередньо просвердліть отвір меншого діаметру, якщо необхідний отвір великого розміру
 - час від часу змашуйте свердла маслом
- При вгвинчуванні шурупів у поперечний зріз дерева або біля нього або в кромку дерева необхідно спочатку просвердлити отвір, щоб запобігти розколу деревини
- Для оптимального вгвинчування необхідно створювати постійний тиск на інструмент, коли вигвинчуєте тиснути треба сильніше
- Коли працюєте з особливо твердими породами дерев необхідно зробити попереднє просвердлювання
- Свердління деревини без виривання скалок ⑱
- Свердління в стінах без пилу ⑲
- Свердління в стелях без пилу ⑳
- Свердління кафельних плиток без прослизькування ㉑
- Див додаткову інформацію на www.skil.com

ДОГЛЯД/ОБСЛУГОВУВАННЯ

- Цей інструмент не придатний для промислового використання

- Тримайте інструмент та зарядний пристрій у чистоті
 - контакти в зарядному пристрої слід чистити спиртом або іншим засобом для зачистки контактів
- ! **перед чищенням зарядного пристрою слід від'єднати його від електромережі**
- Якщо незважаючи на ретельну технологію виготовлення і перевірки інструмент/зарядний пристрій все-таки вийде з ладу, його ремонт дозволяється виконувати лише в авторизованій сервісній майстерні для електроприладів SKIL
 - відішліть інструмент або зарядний пристрій у **нерозібраному** вигляді разом з доказом покупки дилера або в найближчий відділ обслуговування SKIL (адреси та схема обслуговування інструмента приводяться в www.skil.com)
 - у разі несправності зарядного пристрою, надішліть **зарядний пристрій та батарею** до Вашого дилера або до центру обслуговування SKIL

ОХОРОНА НАВКОЛИШНЬОЇ СЕРЕДИ

- **Не викидайте електроінструмент, належності та упаковку разом зі звичайним сміттям (тільки для країн ЄС)**
 - відповідно до європейської директиви 2012/19/ЄС щодо утилізації старих електричних та електронних приладів, в залежності з місцевим законодавством, електроінструмент, який перебував в експлуатації повинен бути утилізований окремо, безпечно для навколишнього середовища шляхом
 - малюнок ⑧ нагадає вам про це
- Акумулятор не повинен при викиданні попасти до природної середі; не викидайте його разом із побутовим сміттям (малюнок ⑨ нагадає вам про це, коли виникне потреба позбавитись акумулятора)
 - ! **перед тим, як позбутись акумулятора: заклейте грубою клейкою стрічкою клеми, щоб запобігти короткому замиканню**

ДЕКЛАРАЦІЯ ПРО ВІДПОВІДНІСТЬ СТАНДАРТАМ СЕ

Бездротова дріль/викрутка 2395

Технічні дані ①

- Ми заявляємо під нашу виключну відповідальність, що описаний в "Технічні дані" продукт відповідає таким нормам або нормативним документам: EN 60745 (інструмент), EN 60335 (зарядний пристрій), EN 61000, EN 55014 у відповідності до положень директив 2006/42/EG, 2014/35/EC, 2014/30/EC, 2011/65/EC
- **Технічні документи в:** SKIL Europe BV (PT-SEU/ENG1), 4825 BD Breda, NL

Marijn van der Hoofden
Operations & Engineering

Olaf Dijkgraaf
Approval Manager

SKIL Europe BV, 4825 BD Breda, NL

21.10.2014

ШУМ/ΒΙΒΡΑЦІЯ

- Зміряний відповідно до EN 60745 рівень тиску звуку даного інструменту <70 дБ(А) (стандартне відхилення: 3 дБ) і вібрація * м/с² (ручна методика; похибка К = 1,5 м/с²)
 - * свердління в металі <2,5 м/с²
 - * загвинчування <2,5 м/с²
 - Рівень вібрації було виміряно у відповідності зі стандартизованим випробуванням, що міститься в EN 60745; дана характеристика може використовуватися для порівняння одного інструмента з іншим, а також для попередньої оцінки впливу вібрації під час застосування даного інструмента для вказаних цілей
 - при використанні інструмента в інших цілях або з іншими/несправними допоміжними пристосуваннями рівень впливу вібрації може значно **підвищуватися**
 - у періоди, коли інструмент вимкнений або функціонує без фактичного виконання роботи, рівень впливу вібрації може значно **знижуватися**
- ! захищайте себе від впливу вібрації, підтримуючи інструмент і його допоміжні пристосування в справному стані, підтримуючи руки в теплі, а також правильно організовуючи свій робочий процес**

GR

Επαναφορτιζόμενο δράπανοκατ'ασάβιδο

2395

ΕΙΣΑΓΩΓΗ

- Το εργαλείο προορίζεται για τρύπημα σε ξύλο, σε μέταλλα, σε τοιχοποιία, σε πετρώματα, σε κεραμικά και πλαστικά υλικά - αμφίστροφα (δεξιό-αριστερόστροφα) εργαλεία με ηλεκτρονική ρύθμιση ταχύτητας είναι επίσης κατάλληλα για βίδωμα και για άνοιγμα σπειρωμάτων
- Αυτό το εργαλείο δεν προορίζεται για επαγγελματική χρήση
- Διαβάστε και φυλάξτε αυτές τις οδηγίες χρήσεως ③

ΤΕΧΝΙΚΑ ΧΑΡΑΚΤΗΡΙΣΤΙΚΑ ①

Μέγιστη ροπή στρέψης σκληρή περίπτωση βιδώματος σύμφωνα με ISO 5393 : 26 Nm

ΜΕΡΗ ΤΟΥ ΕΡΓΑΛΕΙΟΥ ②

- A Διακόπτης εκκίνησης/στάσης και ελέγχου ταχύτητας
- B Διακόπτης αλλαγής της κατεύθυνσης περιστροφής
- C Ταχυστόκ χωρίς κλειδί
- D Δακτυλίδι ελέγχου της ροπής στρέψης
- E Θέση ασφάλισης (σύμπλεξης)
- F Σχισμές αερισμού
- G Φορτιστής
- H Κόκκινο λαμπάκι φορτιστή

ΑΣΦΑΛΕΙΑ

ΓΕΝΙΚΕΣ ΟΔΗΓΙΕΣ ΑΣΦΑΛΕΙΑΣ

⚠️ ΠΡΟΕΙΔΟΠΟΙΗΣΗ! Διαβάστε όλες τις προειδοποιητικές υποδείξεις. Αμέλειαν κατά την τήρηση των προειδοποιητικών υποδείξεων μπορεί να προκαλέσουν ηλεκτροπληξία, κίνδυνο πυρκαγιάς ή/και σοβαρούς τραυματισμούς. **Φυλάξτε όλες τις προειδοποιητικές υποδείξεις και οδηγίες για κάθε μελλοντική χρήση.** Ο ορισμός “ηλεκτρικό εργαλείο” που χρησιμοποιείται στις προειδοποιητικές υποδείξεις αναφέρεται σε ηλεκτρικά εργαλεία που τροφοδοτούνται από το ηλεκτρικό δίκτυο (με ηλεκτρικό καλώδιο) καθώς και σε ηλεκτρικά εργαλεία που τροφοδοτούνται από μπαταρία (χωρίς ηλεκτρικό καλώδιο).

1) ΑΣΦΑΛΕΙΑ ΣΤΟ ΧΩΡΟ ΕΡΓΑΣΙΑΣ

- a) Διατηρείτε το χώρο που εργάζεσθε καθαρό και καλά φωτισμένο. Αταξία στο χώρο που εργάζεσθε ή μη φωτισμένες περιοχές εργασίας μπορεί να οδηγήσουν σε ατυχήματα.
- b) Μην εργάζεσθε με το ηλεκτρικό εργαλείο σε περιβάλλον που υπάρχει κίνδυνος έκρηξης, στο οποίο υπάρχουν εύφλεκτα υγρά, αέρια ή σκόνη. Τα ηλεκτρικά εργαλεία μπορεί να δημιουργήσουν σπινθηρισμό ο οποίος μπορεί να αναφλέξει τη σκόνη ή τις αναθυμιάσεις.
- c) Όταν χρησιμοποιείτε το ηλεκτρικό εργαλείο κρατάτε τα παιδιά κι άλλα τυχόν πρόσωπα μακριά από το χώρο που εργάζεσθε. Σε περίπτωση που άλλα άτομα αποσπάσουν την προσοχή σας μπορεί να χάσετε τον έλεγχο του μηχανήματος.

2) ΗΛΕΚΤΡΙΚΗ ΑΣΦΑΛΕΙΑ

- a) Το φως του καλωδίου του ηλεκτρικού εργαλείου πρέπει να ταιριάζει στην αντίστοιχη πρίζα. Δεν επιτρέπεται με κανένα τρόπο η μετασκευή του φως. Μη χρησιμοποιείτε προσταρμωστικά φως σε συνδυασμό με ηλεκτρικά εργαλεία συνδεδεμένα με τη γη (γειωμένα). Αθίκα φως και κατάλληλες πρίζες μειώνουν τον κίνδυνο ηλεκτροπληξίας.
- b) Αποφεύγετε την επαφή του σώματος σας με γειωμένες επιφάνειες όπως σωλήνες, θερμαντικά σώματα (καλοριφέρ), κουζίνες και ψυγεία. Όταν το σώμα σας είναι γειωμένο αυξάνεται ο κίνδυνος ηλεκτροπληξίας.
- c) Μην εκθέτετε το ηλεκτρικό εργαλείο στη βροχή ή την υγρασία. Η διείσδυση νερού στο ηλεκτρικό εργαλείο αυξάνει τον κίνδυνο ηλεκτροπληξίας.
- d) Μη χρησιμοποιείτε το καλώδιο για να μεταφέρετε ή ν' αναρτήσετε το ηλεκτρικό εργαλείο ή για να βγάλετε το φως από την πρίζα. Κρατάτε το καλώδιο μακριά από υψηλές θερμοκρασίες, λάδια, κοφτερές ακμές ή κινούμενα εξαρτήματα. Τυχόν χαλασμένα ή μπερδεμένα καλώδια αυξάνουν τον κίνδυνο ηλεκτροπληξίας.
- e) Όταν εργάζεσθε με το ηλεκτρικό εργαλείο στο ύπαιθρο χρησιμοποιείτε πάντοτε καλώδια επιμήκυνσης (μπαλαντάζες) που έχουν εγκριθεί για χρήση σε εξωτερικούς χώρους. Η χρήση καλωδίων επιμήκυνσης εγκριμένων για εργασία σε εξωτερικούς χώρους μειώνει τον κίνδυνο ηλεκτροπληξίας.

- f) Όταν η χρήση του ηλεκτρικού εργαλείου σε υγρό περιβάλλον είναι αναπόφευκτη, τότε χρησιμοποιήστε έναν προστατευτικό διακόπτη διαρροής. Η χρήση ενός προστατευτικού διακόπτη διαρροής ελαττώνει τον κίνδυνο ηλεκτροπληξίας.
- 3) ΑΣΦΑΛΕΙΑ ΠΡΟΣΩΠΩΝ**
- a) Να είστε πάντοτε προσεκτικός/προσεκτική, να δίνετε προσοχή στην εργασία που κάνετε και να χειριζόσθε το ηλεκτρικό εργαλείο με περίσκεψη. Μην κάνετε χρήση του ηλεκτρικού εργαλείου όταν είστε κουρασμένος/κουρασμένη ή όταν βρισκόσθε υπό την επιρροή ναρκωτικών, οιοποινύματος ή φαρμάκων. Μια στιγμήα απροσεξία κατά το χειρισμό του ηλεκτρικού εργαλείου μπορεί να οδηγήσει σε σοβαρούς τραυματισμούς.
- b) Φοράτε προστατευτικά ενδύματα και πάντοτε προστατευτικά γυαλιά. Όταν φοράτε ενδύματα ασφαλείας, ανάλογα με το υπό χρήση ηλεκτρικό εργαλείο, όπως προσωπίδα προστασίας από σκόνη, αντιολισθητικά παπούτσια ασφαλείας, κράνη ή ωτασπίδες, μειώνεται ο κίνδυνος τραυματισμών.
- c) Αποφύγετε την αθέλητη εκκίνηση. Βεβαιωθείτε ότι το ηλεκτρικό εργαλείο έχει αποζευχτεί πριν το συνδέσετε με το ηλεκτρικό δίκτυο ή/και με την μπαταρία καθώς και πριν το παραλάβετε ή το μεταφέρετε. Όταν μεταφέρετε το ηλεκτρικό εργαλείο έχοντας το δάχτυλό σας στο διακόπτη ή όταν συνδέσετε το μηχανήμα με την πηγή ρεύματος όταν αυτό είναι ακόμη συζευγμένο, τότε δημιουργείται κίνδυνος τραυματισμών.
- d) Αφαιρείτε από τα ηλεκτρικά εργαλεία πριν τα θέσετε σε λειτουργία τυχόν συναρμολογημένα χρησιμοποιήσιμα εργαλεία ή κλειδιά. Ένα εργαλείο ή κλειδί συναρμολογημένο στο περιστρεφόμενο εξάρτημα ενός ηλεκτρικού εργαλείου μπορεί να οδηγήσει σε τραυματισμούς.
- e) Μην υπερκτιμάτε τον εαυτό σας. Φροντίζετε για την ασφαλή στήριξη του σώματος σας και διατηρείτε πάντοτε την ισορροπία σας. Αυτό σας επιτρέπει τον καλύτερο έλεγχο το ηλεκτρικού εργαλείου σε περιπτώσεις απροσδόκητων καταστάσεων.
- f) Φοράτε κατάλληλη ενδυμασία εργασίας. Μην φοράτε φαρδιά ενδύματα ή κοσμήματα. Κρατάτε τα μαλλιά σας, τα ενδύματα σας και τα γάντια σας μακριά από τα κινούμενα εξαρτήματα. Χαλαρή ενδυμασία, κοσμήματα και μακριά μαλλιά μπορεί να εμπλακούν στα κινούμενα εξαρτήματα.
- g) Αν υπάρχει η δυνατότητα συναρμολόγησης διατάξεων αναρρόφησης ή συλλογής σκόνης, βεβαιωθείτε αν οι διατάξεις αυτές είναι συνδεδεμένες καθώς κι αν χρησιμοποιούνται σωστά. Η χρήση μιας αναρρόφησης σκόνης μπορεί να ελαττώσει τον κίνδυνο που προκαλείται από τη σκόνη.
- 4) ΧΡΗΣΗ ΚΙ ΕΠΙΜΕΛΗΣ ΧΕΙΡΙΣΜΟΣ ΤΩΝ ΗΛΕΚΤΡΙΚΩΝ ΕΡΓΑΛΕΙΩΝ**
- a) Μην υπερφορτώνετε το ηλεκτρικό εργαλείο. Χρησιμοποιείτε για την εκάστοτε εργασία σας το ηλεκτρικό εργαλείο που προορίζεται γι'αυτή. Με το κατάλληλο ηλεκτρικό εργαλείο εργάζεσθε καλύτερα και ασφαλέστερα στην αναφερόμενη περιοχή ισχύος.
- b) Μην χρησιμοποιήσετε ποτέ ένα ηλεκτρικό εργαλείο του οποίου ο διακόπτης ON/OFF είναι χαλασμένος. Ένα ηλεκτρικό εργαλείο το οποίο δεν μπορεί να τεθεί πλέον σε ή εκτός λειτουργίας είναι επικίνδυνο και πρέπει να επισκευαστεί.
- c) Βγάδετε το φις από την πρίζα και/ή αφαιρέστε την μπαταρία πριν διεξάγετε στο εργαλείο μια οποιαδήποτε εργασία ρύθμισης, πριν αλλάξετε ένα εξάρτημα ή όταν πρόκειται να διαφυλάξετε/να αποθηκεύσετε το εργαλείο. Αυτά τα προληπτικά μέτρα ασφαλείας μειώνουν τον κίνδυνο από τυχόν αθέλητη εκκίνηση του ηλεκτρικού εργαλείου.
- d) Διαφυλάγετε τα ηλεκτρικά εργαλεία που δε χρησιμοποιείτε μακριά από παιδιά. Μην αφήνετε άτομα που δεν είναι εξοικειωμένα με το ηλεκτρικό εργαλείο ή δεν έχουν διαβάσει αυτές τις οδηγίες χρήσης να το χρησιμοποιούν. Τα ηλεκτρικά εργαλεία είναι επικίνδυνα όταν χρησιμοποιούνται από άπειρα πρόσωπα.
- e) Να περιποιήστε προσεκτικά το ηλεκτρικό σας εργαλείο και να ελέγχετε, αν τα κινούμενα τμήματα του λειτουργούν άψογα και δεν μπλοκάρουν, ή μήπως έχουν χαλάσει ή σπάσει εξαρτήματα, τα οποία επηρεάζουν έτσι αρνητικά τον τρόπο λειτουργίας του ηλεκτρικού εργαλείου. Δώστε τυχόν χαλασμένα εξαρτήματα του ηλεκτρικού εργαλείου για επισκευή πριν το χρησιμοποιήσετε πάλι. Η ανεπαρκής συντήρηση των ηλεκτρικών εργαλείων αποτελεί αιτία πολλών ατυχημάτων.
- f) Διατηρείτε τα κοπτικά εργαλεία καθαρά. Τα κοπτικά εργαλεία που συντηρούνται με προσοχή μπορούν να οδηγηθούν εύκολα και να ελεγχθούν καλύτερα.
- g) Χρησιμοποιείτε τα ηλεκτρικά εργαλεία, τα εξαρτήματα, τα χρησιμοποιήσιμα εργαλεία κτλ. σύμφωνα με τις παρούσες οδηγίες καθώς. Λαμβάνετε ταυτόχρονα υπόψη σας τις συνθήκες εργασίας και την υπό εκτέλεση εργασία. Η χρήση του ηλεκτρικού εργαλείου για άλλες εκτός από τις προβλεπόμενες εργασίες μπορεί να δημιουργήσει επικίνδυνες καταστάσεις.
- 5) ΧΡΗΣΗ ΚΙ ΕΠΙΜΕΛΗΣ ΧΕΙΡΙΣΜΟΣ ΕΡΓΑΛΕΙΩΝ ΜΠΑΤΑΡΙΑΣ**
- a) Φορτίστε μόνο με φορτιστές που προβλπει ο κατασκευαστής. Η φόρτιση με φορτιστή που δεν προορίζονται για τον υπό φόρτιση τύπο του μπλοκ μπαταρίας δημιουργεί κίνδυνο πυρκαγιάς.
- b) Χρησιμοποιείτε τα ηλεκτρικά εργαλεία πάντοτε με τα προβλεπόμενα για αυτά μπλοκ μπαταρίας. Η χρήση διαφορετικών μπλοκ μπαταρίας μπορεί να οδηγήσει σε τραυματισμούς ή πυρκαγιά.
- c) Διαφυλάγετε τις μπαταρίες που δε χρησιμοποιείτε μακριά από μεταλλικά αντικείμενα, π.χ. από συνδετήρες χαρτιών, νομίσματα, κλειδιά, καρφιά, βίδες κί άλλα παρόμοια μικροαντικείμενα, τα οποία θα μπορούσαν να επιγεφυρώσουν τις διάφορες μεμονωμένες επαφές. Μια επιγεφυρώση από μεταλλικά αντικείμενα μπορεί να προκαλέσει βραχυκύκλωμα, σπινθηρισμό ή πυρκαγιά.

- d) **Υπό δυσμενείς συνθήκες λειτουργίας μπορεί να διαρρεύσουν υγρά από την μπαταρία. Αποφύγετε κάθε επαφή με μια μη στεγανή μπαταρία. Σε περίπτωση ακούσιας επαφής με τα υγρά, ξεπλύντε αμσως με νερό την αντίστοιχη θψη επαφής. Εκτός από αυτό, αν τα υγρά διεισδύσουν στα μάτια σας, επισκεφτείτε χωρίς καθυστέρηση πνα γιατρό. Τα διαρρποντα υγρά των μπαταριών μπορεί να προκαλψουν ερεθισμούς ή και εγκαύματα.**

6) SERVICE

- a) **Δίνετε το ηλεκτρικό σας εργαλείο για επισκευή από άριστα ειδικευμένο προσωπικό, μόνο με γνήσια ανταλλακτικά.** Ετσι εξασφαλίζεται η διατήρηση της ασφάλειας του ηλεκτρικού εργαλείου.

ΥΠΟΔΕΙΞΕΙΣ ΑΣΦΑΛΕΙΑΣ ΓΙΑ ΕΠΑΝΑΦΟΡΤΙΖΟΜΕΝΟ ΔΡΑΠΑΝΟΚΕΤΣΑΒΙΔΟ

- Προφυλάξτε το εργαλείο από τυχόν φθορές από ξένα σώματα (βίδες, καρφιά ή άλλα) που ίσως είναι μέσα στο κομμάτι που θα δουλέψετε - αφαιρέστε τα πριν αρχίσετε την εργασία
- Βεβαιωθείτε ότι η τάση του παρεχόμενου ρεύματος είναι ίδια με την τάση που υποδεικνύεται στην πινακίδα δεδομένων του φορτιστή
- Σε περίπτωση ηλεκτρικής ή μηχανικής κακής λειτουργίας, σταματήστε αμέσως το εργαλείο ή αποσυνδέστε τον φορτιστή από το δίκτυο ρεύματος
- Η SKIL εγγυάται την τέλεια λειτουργία του εργαλείου μόνο όταν χρησιμοποιούνται αυθεντικά εξαρτήματα
- Χρησιμοποιείτε μόνο εξαρτήματα των οποίων ο ύψιστος επιτρεπός αριθμός στροφών είναι τουλάχιστον τόσο υψηλός, όσο ο ύψιστος αριθμός στροφών χωρίς φορτίο του εργαλείου
- Το εργαλείο/φορτιστής αυτό δεν προορίζεται για χρήση από άτομα (συμπεριλαμβανομένων παιδιών) με μειωμένες φυσικές, αισθητικές ή νοητικές ικανότητες, ή από άτομα χωρίς εμπειρία ή γνώση, εκτός και αν επιβλέπονται ή εάν τους έχουν δοθεί οδηγίες σχετικά με τη χρήση του εργαλείου/φορτιστή από άτομα υπεύθυνα για την ασφάλειά τους
- Βεβαιωθείτε ότι τα παιδιά δεν παίζουν με το εργαλείο/φορτιστή
- **Στερεώστε το κομμάτι εργασίας** (το κομμάτι εργασίας συγκρατείται καλύτερα με σφιγκτήρες ή σε μέγγενη παρά με το χέρι)
- **Να κρατάτε το ηλεκτρικό εργαλείο από τις μονωμένες επιφάνειες συγκράτησης όταν υπάρχει κίνδυνος το εργαλείο ή η βίδα να έρθει σε επαφή με μη ορατούς ηλεκτροφόρους αγωγούς ή το ίδιο το καλώδιο του** (η επαφή με έναν ηλεκτροφόρο αγωγό μπορεί να θέσει τα μεταλλικά μέρη του ηλεκτρικού εργαλείου επίσης υπό τάση και προκαλέσει έτσι ηλεκτροπληξία)
- **Χρησιμοποιήστε κατάλληλες ανιχνευτικές συσκευές για να εντοπίσετε τυχόν αφανείς ροφοδοτικές γραμμές ή συμφορευτικές σχετικά τις επιχηρήσεις παροχής ενέργειας** (επαφή με ηλεκτρικές γραμμές μπορεί να οδηγήσει σε πυρκαϊά ή σε ηλεκτροπληξία - βλάβες σε αγωγούς φωταερίου (γκαζιού) μπορεί να οδηγήσουν σε έκρηξη - η διείσδυση

σ' ένα σωλήνα νερού προκαλεί υλικές ζημιές ή μπορεί να προκαλέσει ηλεκτροπληξία)

- **Μην κατεργάζεστε υλικά που περιέχουν αμίαντο** (το αμίαντο θεωρείται σαν καρκινογόνο υλικό)
- Η σκόνη από υλικά όπως μογιές που περιέχουν μόλυβδο, ορισμένα είδη ξύλου, ανόργανα στοιχεία και μέταλλα μπορεί να είναι επιβλαβής (η επαφή ή η εισπνοή της σκόνης μπορεί να προκαλέσει αλλεργικές αντιδράσεις ή/και αναπνευστικές ασθένειες στον χειριστή ή σε άτομα που παρίστανται) - **να φοράτε προσωπίδα προστασίας από τη σκόνη και να εργάζεστε με συσκευή αφαίρεσης σκόνης όταν είναι δυνατό**
- Ορισμένα είδη σκόνης ταξινομούνται ως καρκινογόνα (όπως η σκόνη από τη δρυ ή την οξιά) ιδιαίτερα σε συνδυασμό με πρόσθετα συντήρησης ξύλου - **να φοράτε προσωπίδα προστασίας από τη σκόνη και να εργάζεστε με συσκευή αφαίρεσης σκόνης όταν είναι δυνατό**
- Ακολουθήστε τις σχετικές με σκόνη εθνικές διατάξεις για τα υλικά που θέλετε να εργαστείτε
- Βεβαιωθείτε ότι ο διακόπτης B ② βρίσκεται στη μεσαία θέση (κλειδώμα), πριν διεξάγετε κάποια εργασία ρύθμισης στο εργαλείο ή αλλάξετε εξάρτημα όπως και όταν μεταφέρετε ή αποθηκεύσετε το εργαλείο

ΦΟΡΤΙΣΗ/ΜΠΑΤΑΡΙΕΣ

- Να φορτίζετε την μπαταρία μόνον με το φορτιστή που παραδίδεται μαζί με το εργαλείο
 - Μην αγνίζετε τις επαφές μεσά στο φορτιστή
 - Μην εκθέτετε το εργαλείο/φορτιστή/ την μπαταρία στη βροχή
 - Να αποθηκεύετε το εργαλείο/τον φορτιστή/την μπαταρία σε μέρη όπου η θερμοκρασία δεν θα ξεπεράσει τους 40°C ή δεν θα πέσει κάτω από 0°C
 - Μην φορτίζετε την μπαταρία σε περιβάλλον με σκόνη ή υγρασία
 - Οι μπαταρίες θα εκραγούν εάν γίνει απόρριψή τους σε φωτιά, γι' αυτό μην καίτε τις μπαταρίες για οποιοδήποτε λόγο
 - Μην χρησιμοποιείτε τον φορτιστή όταν έχει βλάβη - δώστε το για έλεγχο σε ένα από τα εξουσιοδοτημένα συνεργεία της SKIL
 - Μην χρησιμοποιείτε τον φορτιστή εάν το καλώδιο ή η πρίζα έχουν φθορά - το καλώδιο ή η πρίζα θα πρέπει να αντικατασθούν αμέσως σε ένα από τα εξουσιοδοτημένα συνεργεία της SKIL
 - Μην χρησιμοποιείτε την μπαταρία όταν έχει βλάβη - πρέπει να τη αλλάξετε αμέσως
 - Μην αποσυναρμολογήσετε τον φορτιστή ή την μπαταρία
 - Μην επιχειρήσετε να επαναφορτίσετε μπαταρίες, οι οποίες δεν επαναφορτίζονται, με το φορτιστή
- #### ΕΠΕΞΗΓΗΣΗ ΤΩΝ ΣΥΜΒΟΛΩΝ ΣΤΟ ΦΟΡΤΙΣΤΗ/ΜΠΑΤΑΡΙΑ
- ③ Διαβάστε το εγχειρίδιο οδηγιών πριν από τη χρήση
 - ④ Να χρησιμοποιείτε το φορτιστή μόνο σε εσωτερικούς χώρους
 - ⑤ Διπλή μόνωση (δεν απαιτείται καλώδιο γείωσης)
 - ⑥ Η εσφαλμένη πολικότητα στη σύνδεση του φορτιστή μπορεί να αποτελέσει κίνδυνο (να φορτίζετε την μπαταρία μόνο με το φορτιστή που παρέχεται)

- ⑦ Αυτόματη απενεργοποίηση σε περίπτωση υπερθέρμανσης του φορτιστή (η θερμική ασφάλεια καίγεται και ο φορτιστής αχρηστεύεται)
- ⑧ Μην πετάτε τον φορτιστή στον κάδο οικιακών απορριμμάτων
- ⑨ Μην πετάτε την μπαταρία στον κάδο οικιακών απορριμμάτων

ΧΡΗΣΗ

- Φόρτιση της μπαταρίας ⑩
 - η μπαταρία των καινούργιων εργαλείων δεν είναι πλήρως φορτισμένη
 - συνδέστε το φορτιστή με το δίκτυο ρεύματος όπως δείχνει η εικόνα
 - τοποθετήστε τη μπαταρία στο φορτιστή
 - το κόκκινο λαμπάκι Η ανάβει υποδεικνύοντας ότι η μπαταρία φορτίζεται
 - το κόκκινο λαμπάκι Η παραμένει αναμμένο όσο η μπαταρία είναι συνδεδεμένη με το φορτιστή και ο φορτιστής είναι στην μπρίζα
- ! **αφαιρέστε την μπαταρία από τον φορτιστή μετά από τελειώσει ο χρόνος φόρτισης ώστε να παρατείνετε τη διάρκεια ζωής για την μπαταρία**

ΣΗΜΑΝΤΙΚΕΣ ΥΠΟΔΕΙΞΕΙΣ:

- μετά από 3 ώρες θα έχει συμπληρωθεί η λειτουργία της φόρτισης και η μπαταρία είναι έτοιμη για χρήση
- κατά τη φόρτιση, ο φορτιστής και η μπαταρία μπορεί να ζεσταθούν - αυτό είναι φυσιολογικό και δεν αποτελεί πρόβλημα
- σιγουρευτείτε ότι η εξωτερική επιφάνεια της μπαταρίας είναι καθαρή και στεγνή, πριν την εισαγωγή της στον φορτιστή
- μην φορτίζετε σε θερμοκρασίες κάτω από 0°C και πάνω από 45°C - αυτό θα προκαλέσει σοβαρή βλάβη στην μπαταρία και στον φορτιστή
- να μην αφαιρέσετε την μπαταρία από το εργαλείο όταν αυτό είναι σε λειτουργία
- ! **μια νέα μπαταρία ή μια μπαταρία που δε χρησιμοποιήθηκε για αρκετό καιρό αποκτά τη βέλτιστη απόδοση της μετά από 5 περίπου κύκλους φόρτισης/εκφόρτισης**
- να μην επαναφορτίζετε επανειλημμένα την μπαταρία μετά από μερικά μόνον λεπτά λειτουργίας - αυτό θα έχει σαν αποτέλεσμα να μειωθεί ο χρόνος λειτουργίας καθώς και η απόδοση της μπαταρίας
- για μακρές περιόδους που δεν χρησιμοποιείτε το εργαλείο, είναι καλύτερα να έχετε αποσυνδεδεμένο τον φορτιστή από το δίκτυο ρεύματος
- Εκκίνησης/Στάσης ⑪
- Έλεγχος ταχύτητας για ομαλή εκκίνηση ⑫
- Αλλαγή της κατεύθυνσης περιστροφής ⑬
 - αν η διακόπτης Α ② δεν είναι σωστά τοποθετημένη στη μία ή άλλη θέση δεν μπορεί να ενεργοποιηθεί
- ! **αλλάζετε την κατεύθυνση περιστροφής μόνο όταν το εργαλείο είναι τελείως σταματημένο**
- Αλλαγή μύτων ⑭
 - τοποθετήστε τη μύτη όσο το δυνατόν βαθύτερα στο τσόκ
- ! **μη χρησιμοποιείτε μύτη με φθαρμένο στέλεχος**

- Έλεγχος της ροπής στρέψης (VariTorque) ⑮
 - η αποδιδόμενη ροπή θα αυξάνεται όσο περιστρέφεται το δακτυλίδι D του συμπλέκτη από το 1 προς το 5 - η θέση E θα ασφαλίσει τον συμπλέκτη για να σας επιτρέψει να τρυπήσετε ή να κάνετε άλλες βαριές εργασίες
 - όταν βιδώνετε μία βίδα δοκιμάστε πρώτα τη θέση ελέγχου ροπής 1 και αυξήστε μέχρι να φθάσετε στο επιθυμητό βάθος
- Πώς να κρατάτε και να οδηγείτε το εργαλείο ⑯
 - ! **ενώ εργάζεστε, να κρατάτε πάντα το εργαλείο από τη/τις λαβή/ές με γκρι χρώμα**
 - κρατάτε τις σχισμές αερισμού F ② ακάλυπτες
 - μην ασκείτε υπέρμετρη πίεση στο εργαλείο, αφήστε το εργαλείο να δουλέψει για σας

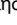

ΟΔΗΓΙΕΣ ΕΦΑΡΜΟΓΗΣ

- Χρησιμοποιείτε τη κατάλληλη μύτη ⑰
 - ! **χρησιμοποιείτε μόνο αιχμηρή μύτη**
- Όταν κάνετε διάτρηση σε σιδηρούχα μέταλλα
 - προ-τρυπήστε μία τρύπα μικρότερη από την απαιτούμενη
 - λιπαίνετε τα εξαρτήματα του τρυπανιού τακτικά με λάδι
- Όταν έχετε να βιδώσετε μία βίδα στη γωνία ή σε άκρα ξύλου θα πρέπει πρώτα να τρυπήσετε με τρυπάνι για να αποφύγετε το "σκάσιμο" του ξύλου
- Για άριστη χρήση του εργαλείου σας απαιτείται σταθερή πίεση επάνω στη βίδα, ειδικά όταν αφαιρείτε βίδες
- Όταν βιδώνετε σε σκληρό ξύλο πρέπει πρώτα να έχετε κάνει μία ανάλογη τρύπα
- Για σωστό "καθαρό" τρύπημα στο ξύλο ⑱
- Τρύπημα χωρίς σκόνες σε τοίχους ⑲
- Τρύπημα χωρίς σκόνες σε οροφές ⑳
- Τρύπημα χωρίς γλιστρήματα σε πλακάκια ㉑
- Για περισσότερες συμβουλές δείτε www.skil.com

ΣΥΝΤΗΡΗΣΗ / ΣΕΡΒΙΣ


- Αυτό το εργαλείο δεν προορίζεται για επαγγελματική χρήση
- Κρατήστε το εργαλείο σας και τον φορτιστή καθαρά
 - καθαρίζετε τις επαφές φόρτισης με οινόπνευμα ή ειδικό καθαριστικό
- ! **αποσυνδέστε τον φορτιστή από το δίκτυο ρεύματος προτού καθαρίσετε**
- Αν παρ' όλες τις επιμελημένες μεθόδους κατασκευής και ελέγχου το εργαλείο/ο φορτιστής σταματήσει κάποτε να λειτουργεί, τότε η επισκευή του πρέπει να ανατεθεί σ' ένα εξουσιοδοτημένο συνεργείο για ηλεκτρικά εργαλεία της SKIL
 - στείλτε το εργαλείο ή τον φορτιστή **χωρίς να το αποσυναρμολογήσετε** μαζί με την απόδειξη αγοράς στο κατάστημα από το οποίο το αγοράσατε ή στον πλησιέστερο σταθμό τεχνικής εξυπηρέτησης της SKIL (θα βρείτε τις διευθύνσεις και το διάγραμμα συντήρησης του εργαλείου στην ιστοσελίδα www.skil.com)
 - σε περίπτωση που ο φορτιστής είναι ελαττωματικός, αποστείλτε και **ο φορτιστή και τη μπαταρία** στον αντιπρόσωπό σας ή το κέντρο σέρβις της SKIL

ΠΕΡΙΒΑΛΛΟΝ

- **Μην πετάτε τα ηλεκτρικά εργαλεία, εξαρτήματα και συσκευασία στον κάδο οικιακών απορριμμάτων** (μόνο για τις χώρες της ΕΕ)
 - σύμφωνα με την ευρωπαϊκή οδηγία 2012/19/ΕΚ περί ηλεκτρικών και ηλεκτρονικών συσκευών και την ενσωμάτωσή της στο εθνικό δίκαιο, τα ηλεκτρικά εργαλεία πρέπει να συλλέγονται ξεχωριστά και να επιστρέφονται για ανακύκλωση με τρόπο φιλικό προς το περιβάλλον
 - το σύμβολο  θα σας το θυμήσει αυτό όταν έλθει η ώρα να πετάξετε τις
- Η μπαταρία πρέπει να διαχωρίζονται από το φυσικό περιβάλλον και δεν πρέπει να πετιούνται μαζί με τα συνήθη οικιακά απορρίμματα (το σύμβολο  θα σας το θυμήσει αυτό όταν έλθει η ώρα να πετάξετε τις μπαταρίες αυτές)
 - ! **προτού πετάξετε τις μπαταρίες καλύψτε τις επαφές τους με μονωτική ταινία για να αποφύγετε τυχόν βραχυκυκλώματα**

ΔΗΛΩΣΗ ΣΥΜΜΟΡΦΩΣΗΣ CE

Επαναφορτιζόμενο δρπάνοκατσάβιδο 2395

Τεχνικά χαρακτηριστικά 

- Δηλώνουμε υπευθύνως ότι το προϊόν που περιγράφεται στα "Τεχνικά χαρακτηριστικά" εκπληρώνει τους εξής κανονισμούς ή κατασκευαστικές συστάσεις: EN 60745 (εργαλείο), EN 60335 (φορτιστή), EN 61000, EN 55014 σύμφωνα με τις διατάξεις των οδηγιών 2006/42/ΕΚ, 2014/35/ΕΕ, 2014/30/ΕΕ, 2011/65/ΕΕ
- **Τεχνικός φάκελος από:** SKIL Europe BV (PT-SEU/ENG1), 4825 BD Breda, NL

Marijn van der Hoofden
Operations & Engineering

Olaf Dijkgraaf
Approval Manager

SKIL Europe BV, 4825 BD Breda, NL

21.10.2014

ΘΟΡΥΒΟ/ΚΡΑΔΑΣΜΟΥΣ

- Μετρημένη σύμφωνα με EN 60745 η στάθμη ακουστικής πίεσης αυτού του εργαλείου ανέρχεται σε <70 dB(A) (κοινή απόκλιση: 3 dB) και ο κραδασμός σε *** m/s²** (μεθοδος χειρός/βραχίονα - ανασφάλεια K = 1,5 m/s²)
 - * όταν τρυπάτε σε μέταλλο <2,5 m/s²
 - * όταν βιδώνετε <2,5 m/s²
- Το επίπεδο παραγωγής κραδασμών έχει μετρηθεί σύμφωνα με μια τυποποιημένη δοκιμή που αναφέρεται στο πρότυπο EN 60745 - μπορεί να χρησιμοποιηθεί για τη σύγκριση ενός εργαλείου με ένα άλλο, καθώς και ως προκαταρκτική αξιολόγηση της έκθεσης στους κραδασμούς όταν το εργαλείο χρησιμοποιείται για τις εφαρμογές που αναφέρονται
 - η χρήση του εργαλείου για διαφορετικές εφαρμογές ή με διαφορετικά ή κατουστηρημένα εξαρτήματα μπορεί να αυξήσει σημαντικά το επίπεδο έκθεσης


- όταν το εργαλείο είναι απενεργοποιημένο ή δουλεύει αλλά δεν εκτελεί την εργασία, το επίπεδο έκθεσης μπορεί να μειωθεί σημαντικά
- ! **προστατευτείτε από τις επιδράσεις των κραδασμών συντηρώντας σωστά το εργαλείο και τα εξαρτήματά του, διατηρώντας τα χέρια σας ζεστά και οργανώνοντας τον τρόπο εργασίας σας**

RO

Mașină de găurit/înșurubat cu acumulatori

2395

INTRODUCERE

- Această sculă este concepută pentru găuriri în lemn, metal, cărămidă, piatră, ceramică și mase plastice; sculele cu control electronic de viteză și rotație reversibilă sunt de asemenea adecvate pentru înșurubare și filetare
- Această sculă nu este destinată utilizării profesionale
- Citiți și păstrați acest manual de instrucțiuni 

DATE TEHNICE


Moment de torsiune maxim, înșurubare dură conform ISO 5393 : 26 Nm

ELEMENTELE SCULEI

- A Întrerupător deschis/închis și controlul vitezei
- B Comutator pentru schimbarea direcției de rotație
- C Mandrină rapidă
- D Inel pentru reglarea momentului
- E Poziție de fixare (cuplare)
- F Fantele de ventilație
- G Încărcător
- H Lampa încărcătorului roșie

SIGURANȚA

INSTRUCȚIUNI DE PROTECȚIE GENERALE

 **ATENȚIE!** Citiți toate indicațiile de avertizare și instrucțiunile. Nerespectarea indicațiilor de avertizare și a instrucțiunilor poate provoca electrocutare, incendii și/sau răni grave. **Păstrați toate indicațiile de avertizare și instrucțiunile în vederea utilizărilor viitoare.** Termenul de "sculă electrică" folosit în indicațiile de avertizare se referă la sculele electrice alimentate de la rețea (cu cablu de alimentare) și la sculele electrice cu acumulator (fără cablu de alimentare).

1) SIGURANȚA LA LOCUL DE MUNCĂ

- a) **Păstrați-vă locul de muncă curat și bine iluminat.**
Dezordinea la locul de muncă sau existența unor sectoare de lucru neiluminate poate duce la accidente.
- b) **Nu folosiți mașina în medii cu pericol de explozie, acolo unde există lichide, gaze sau pulberi inflamabile.** Sculele electrice pot produce scântei care să aprindă pulberile sau vaporii.

- c) **Nu permiteți accesul copiilor și al altor persoane în timpul lucrului cu mașina.** Dacă vi se distrage atenția puteți pierde controlul asupra mașinii.
- 2) SECURITATE ELECTRICĂ**
- a) **Ștecherul de racordare a mașinii trebuie să se potrivească cu priza de alimentare. Nu este permisă în nici-un caz modificarea ștecherului. Nu folosiți adaptoare pentru ștechere la mașinile legate la pământ.** Ștecherele nemodificate și prizele de curent adecvate acestora reduc riscul de electrocutare.
- b) **Evitați contactul corporal cu suprafețe legate la pământ ca țevi, radiatoare, plite electrice și frigider.** Există un risc crescut de electrocutare atunci când corpul dv. este și el legat la pământ.
- c) **Nu lăsați mașina afară în ploaie sau în mediu umed.** Riscul de electrocutare crește atunci când într-o sculă electrică pătrunde apă.
- d) **Nu trageți niciodată mașina de cordonul de alimentare pentru a o transporta, a o atârna sau a scoate ștecherul din priza de curent. Feriți cordonul de alimentare de căldură, ulei, muchi ascuțiți sau de subsansamble aflate în mișcare.** Un cordon de alimentare deteriorat sau înfășurat mărește riscul de electrocutare.
- e) **Atunci când lucrați cu scula electrică în aer liber, folosiți numai cordonane prelungitoare autorizate pentru exterior.** Întrebuințarea unu cordon prelungitor adecvat utilizării în aer liber reduce riscul de electrocutare.
- f) **Atunci când nu poate fi evitată utilizarea sculei electrice în mediu umed, folosiți un întrerupător de circuit cu împământare.** Folosirea unei întrerupător de circuit cu împământare reduce riscul de electrocutare.
- 3) SECURITATEA PERSOANELOR**
- a) **Fiți vigilenți, fiți atenți la ceea ce faceți și procedați rațional atunci când lucrați cu scula electrică. Nu folosiți mașina dacă sunteți obosiți sau vă aflați sub influența drogurilor, alcoolului sau a medicamentelor.** Un moment de neatenție în timpul lucrului cu mașina poate duce la răni grave.
- b) **Purtați echipament de protecție personală și întotdeauna ochelari de protecție.** Folosirea echipamentelor de protecție a persoanei ca mască de protecție împotriva prafului, încălțăminte antiderapantă, cască de protecție sau aparat de protecție auditivă, în funcție de tipul și domeniul de folosire al sculei electrice, reduce riscul rănilor.
- c) **Evitați o punere în funcțiune involuntară. Înainte de a introduce ștecherul în priză și/sau de a introduce acumulatorul în scula electrică, de a o ridica sau de a o transporta, asigurați vă că aceasta este oprită.** Dacă atunci când transportați scula electrică țineți degetul pe întrerupător sau dacă porniți scula electrică înainte de a o racorda la rețeaua de curent, puteți provoca accidente.
- d) **Înainte de a pune mașina în funcțiune scoateți afară cheile reglabile și fixe.** O cheie reglabilă sau fixă, aflată într-o componentă de mașină care se rotește, poate provoca răni.
- e) **Nu vă supraapreciați. Asigurați-vă o poziție stabilă și păstrați-vă întotdeauna echilibrul.** Astfel veți putea controla mai bine mașina în situații neașteptate.
- f) **Purtați îmbrăcăminte de lucru adecvată. Nu purtați haine largi sau podoabe. Țineți părul, îmbrăcămintea și mânușile departe de componente aflate în mișcare.** Îmbrăcămintea largă, podoabele și părul lung pot fi prinse de piesele aflate în mișcare.
- g) **Dacă există posibilitatea montării de echipamente și instalații de aspirare și colectare a prafului, asigurați-vă că acestea sunt conectate și folosite corect.** Folosirea unei instalații de aspirare a prafului poate duce la reducerea poluării cu praf.
- 4) MANEVRAȚI ȘI FOLOȘIȚI CU GRIJĂ SCULELE ELECTRICE**
- a) **Nu suprasolicitați mașina. Folosiți scula electrică destinată executării lucrării dumneavoastră.** Cu scula electrică potrivită lucrați mai bine și mai sigur în domeniul de putere specificat.
- b) **Nu folosiți scula electrică dacă are întrerupătorul defect.** O sculă electrică, care nu mai poate fi pornită sau oprită este periculoasă și trebuie reparată.
- c) **Scoateți ștecherul afară din priză și/sau îndepărtați acumulatorul, înainte de a executa reglaje, a schimba accesoriilor sau de a pune mașina la o parte.** Această măsură preventivă reduce riscul unei porniri involuntare a mașinii.
- d) **În caz de nefolosire păstrați mașinile la loc inaccesibil copiilor. Nu permiteți persoanelor care nu sunt familiarizate cu mașina sau care n-au citit prezentele instrucțiuni, să folosească mașina.** Sculele electrice sunt periculoase atunci când sunt folosite de persoane fără experiență.
- e) **Întrețineți-vă cu grijă mașina. Controlați dacă componentele mobile funcționează corect și dacă nu se blochează, dacă nu există piese defecte sau deteriorate, care să afecteze funcționarea mașinii.** Înainte de a repune în funcțiune mașina, duceți-o la un atelier de asistență service pentru repararea sau înlocuirea pieselor deteriorate. Multe accidente s-au datorat întreținerii defectuoase a sculelor electrice.
- f) **Păstrați accesoriile bine ascuțite și curate.** Accesoriile atent întreținute, cu muchii tăietoare bine ascuțite se blochează mai greu și pot fi conduse mai ușor.
- g) **Folosiți sculele electrice, accesoriile, dispozitivele de lucru etc. conform prezentelor instrucțiuni. Țineți seama de condițiile de lucru și de lucrarea care trebuie executată.** Întrebuințarea unor scule electrice destinate altor utilizări decât cele preconizate, poate duce la situații periculoase.
- 5) MANEVRAȚI ȘI FOLOȘIȚI CU GRIJĂ SCULELE ELECTRICE CU ACUMULATOR**
- a) **Folosiți pentru încărcarea acumulatorilor numai încărcătoarele recomandate de producător.** Dacă un încărcător destinat unui anumit tip de acumulator este folosit la încărcarea altor acumulatori există pericol de incendiu.
- b) **Folosiți la sculele electrice numai acumulatorii prevăzuți în acest scop.** Întrebuințarea altor acumulatori decât cei specificați poate duce la răni și pericol de incendii.
- c) **Feriți acumulatorii nefolosiți de contactul cu agrafe de birou, monede, chei, cui, șuruburi sau alte obiecte metalice mici, care pot produce o punte**

metalică între contactele acumulatorului. Un scurtcircuit între polii de contact ai acumulatorului poate avea drept consecință arsuri sau incendii.

- d) **Ca urmare a folosirii necorespunzătoare, din acumulator se poate scurge lichid. Evitați contactul cu acesta. În caz de contact accidental, clătiți cu apă. Dacă lichidul vă intră în ochi, pe lângă măsurile aminte consultați și un medic.** Lichidul care se scurge din acumulator poate provoca iritarea pielii sau arsuri.

6) SERVICE

- a) **Permiteți repararea mașinii dumneavoastră numai de către un specialist calificat și numai cu piese de schimb originale.** În acest mod este garantată menținerea siguranței de exploatare a mașinii.

INSTRUCȚIUNI DE SIGURANȚĂ PENTRU MAȘINA DE GĂURIT/ȘURUBELNIȚA CU ACUMULATORI

- Evitați daunele provocate de șuruburi, țiște și alte elemente din timpul lucrului; înlăturați aceste elemente înainte de a trece la acțiune
- Verificați întotdeauna dacă tensiunea de alimentare este aceeași cu tensiunea indicată pe plăcuța de identificare a încărcătorului
- În cazul unor defecțiuni electrice sau mecanice, imediat deconectați instrumentul sau scoateți încărcătorul de la sursa de energie
- SKIL garantează funcționarea perfectă a aparatului numai dacă sunt folosite accesoriile originale
- Folosiți numai accesoriile a căror turație admisă este cel puțin egală cu turația maximă la mers în gol a aparatului
- Scula/încărcătorul nu este destinată utilizării de către persoane (inclusiv copii) cu capacități reduse fizice, senzoriale sau mentale, sau fără experiență și cunoștințe, cu excepția cazului în care sunt supravegheați sau instruiți în privința folosirii sculei/încărcătorului de către o persoană responsabilă pentru siguranța lor
- Asigurați-vă că copii nu se joacă cu scula/încărcătorul
- **Securizați piesa de lucru** (o piesă de lucru fixată cu clame sau într-o menghină este ținută mult mai în siguranță decât manual)
- **Prindeți scula electrică de mânerul izolat atunci când executați operații în cursul cărora accesoriul sau șurubul poate atinge fire electrice ascunse sau propriul cablu de alimentare** (contactul un cablu aflat sub tensiune poate pune sub tensiune și componentele metalice ale sculei electrice și duce la electrocutare)
- **Folosiți detectoare adecvate pentru depistarea conductelor și conductorilor de alimentare sau apelați în acest scop la întreprinderea locală de furnizare a utilităților** (contactul cu conductorii electrici poate provoca incendii sau electrocutare; deteriorarea unei conducte de gaz poate duce la explozii; spargerea unei conducte de apă provoacă pagube materiale sau poate provoca electrocutare)
- **Nu prelucrați materiale care conțin azbest** (azbestul este considerat a fi cancerigen)
- Praful rezultat din materiale precum vopseaua care conține plumb, unele specii de lemn, minerale și metale poate fi periculos (contactul cu praful sau inhalarea acestuia poate provoca reacții alergice și/sau afecțiuni respiratorii operatorului sau persoanelor care stau în apropiere); **purtați o mască de praf și lucrați cu un**

dispozitiv de extragere a prafului când poate fi conectat

- Anumite tipuri de praf sunt clasificate ca fiind cancerigene (cum ar fi praful de stejar și fag) în special în combinație cu aditivi pentru tratarea lemnului; **purtați o mască de praf și lucrați cu un dispozitiv de extragere a prafului când poate fi conectat**
- Respectați reglementările naționale referitoare la aspirația prafului în funcție de materialele de lucru folosite
- Asigurați-vă că comutator B ② este în poziția din mijloc (poziția de blocaj) înainte de a executa reglaje ale sculei electrice sau de a înlocui accesoriile precum și în cazul de transport sau depozitare a sculei electrice

ÎNCĂRCAREA/BATERIILOR

- Încărcați bateriile numai cu ajutorul încărcătorului furnizat împreună cu instrumentul
- Nu atingeți firele de contact al încărcătorului
- Nu expuneți la ploaie instrumentul/încărcătorul/bateria
- Păstrați instrumentul/încărcătorul/bateria la temperaturi cuprinse între 40°C și 0°C
- Nu încărcați bateria în locuri umede sau ude
- Bateriile vor exploda când sunt aruncate în foc, deci nu ardeți bateriile sub niciun motiv
- Nu folosiți încărcătorul dacă acesta deteriorat, adresați-vă la una din Stațiile de Deservire SKIL – reprezentantul oficial înregistrat – pentru verificările de rigoare
- Nu folosiți încărcătorul dacă cablu sau fișa sînt deteriorate, adresați-vă la una din Stațiile de Deservire SKIL – reprezentantul oficial înregistrat – pentru verificările de rigoare
- Nu folosiți bateria dacă aceasta este avariată; ea trebuie înlocuită imediat
- Nu dezamblați încărcătorul sau bateria
- Nu încercați să reîncarcați bateriile de unică folosință utilizând încărcătorul

EXPLICAȚIA SIMBOLURILOR DE PE ÎNCĂRCĂTOR/BATERIE

- ③ Citiți manual de instrucțiuni înainte de utilizare
- ④ Folosiți încărcătorul numai în interior
- ⑤ Izolație dublă (nu este necesar fir de împământare)
- ⑥ Polaritatea incorectă a conexiunii încărcătorului poate provoca un pericol (încărcați bateria numai cu încărcătorul furnizat)
- ⑦ Oprește automată când încărcătorul se încinge prea tare (siguranța termică se arde și încărcătorul devine inutil)
- ⑧ Nu aruncați încărcătorul direct la pubelele de gunoi
- ⑨ Nu aruncați bateria direct la pubelele de gunoi

UTILIZAREA

- Încărcarea bateriei ⑩
 - bateriile instrumentelor noi nu sunt încărcate complet
 - conectați încărcătorul la sursa de alimentare conform ilustrației
 - introduceți bateria în încărcător
 - lampa roșie H se va aprinde indicând că bateria se încarcă
 - lampa roșie H va rămâne aprins atâta timp cât bateria este conectată la încărcător și încărcătorul este în priză de perete

! scoateți bateria din încărcător după încărcare, acest lucru va mări termenul de funcționare a bateriei

IMPORTANT:

- după 3 ore de la introducerea bateriei în acumulator operația de încărcare va fi încheiată
- în timpul încărcării, încărcătorul și bateria pot să se încălzească; aceste lucruri sunt normale și nu indică apariția vreunei probleme
- înainte de introducerea bateriei în încărcător, asigurați-vă că suprafața exterioară a bateriei este curată și uscată
- nu încălcați la temperaturi mai joase de 0°C și mai mari de 45°C, acest fapt poate deteriora grav bateria și încărcătorul
- nu scoateți bateria din instrument în timpul funcționării acestuia

! un bateria nou sau care nu a fost utilizat un timp mai îndelungat atinge capacitatea maximă numai după aproximativ 5 cicluri de încărcare/descărcare

- nu reîncărcați bateria în repetate rânduri numai la câteva minute de funcționare, acest fapt poate duce la reducerea timpului de funcționare și eficienței bateriei
- dacă nu veți utiliza instrumentul o perioadă mai îndelungată se recomandă să deconectați încărcătorul de la sursa de energie
- Deschis/Închis ⑪
- Control de viteză pentru start încet ⑫
- Schimbarea direcției de rotație ⑬
 - dacă pârghia nu se așa în poziția corectă stânga/dreapta, întrerupător A ② nu va putea fi acționat
- ! schimbați direcția de rotație abia atunci când aparatul este complet oprit**
- Înlocuirea biți ⑭
 - introduceți bitul mat adânc în mandrina
- ! nu folosiți biți cu coadă deteriorată**
- Reglajul cuplului (VariTorque) ⑮
 - ale ambreajului randalamentului cuplurilor de torsiune va spori în cazul în care inelul ambreajului D este sucit de la poziția 1 la 5, poziția E va bloca ambreajul pentru a permite găurirea unor porțiuni mai dificile
 - în cazul în care ați nimerit peste un șurub, încercați pentru început poziția 1 al VariTorque și apăsați până când veți obține adâncimea necesară
- Mănuirea și dirijarea sculei ⑯
 - ! în timp ce lucrați, țineți întotdeauna scula de zonă (zonele) de prindere colorate gri**
 - mențineți fantele de ventilație F ② neacoperite
 - nu exercitați prea multă presiune asupra aparatului; lăsați aparatul să funcționeze

SFATURI PENTRU UTILIZARE

- Folosiți biți juste ⑰
 - ! folosiți numai biți ascuțite**
- La găurirea în metale feroase
 - când este necesară găurirea la un diametru mare, efectuați întâi o găurire intermediară, la diametru mai mic
 - ungeți cu ulei din când în când burghiul
- Atunci când doriți să suciti un șurub la marginea, colțul, capătul lemnului, se recomandă să faceți o gaură cu instrumentul de găurit pentru a evita crăparea lemnului

- Pentru o utilizare optimă a instrumentului este necesară exercitarea unei presiuni constante asupra șurubului, în special la schimbare
- În cazul înșurubării într-un lemn tare se recomandă efectuarea în prealabil a unei găuri
- Găurire așchiată în lemn ⑱
- Găurire în ziduri fara praaf ⑲
- Găurire în plafona fara praaf ⑳
- Găurire în tige fara a aluneca ㉑
- A se vedea alte recomandări la www.skil.com

ÎNȚREȚINERE / SERVICE

- Această sculă nu este destinată utilizării profesionale
- Păstrați instrumentul și încărcătorul curat
 - curățați cu alcool sau curățător de contacte contactele de încărcare al încărcătorului
- ! deconectați încărcătorul de la sursa de energie înainte de curățire**
- Dacă în ciuda procedurilor de fabricație și control riguroase scula/încărcătorul are totuși o pană, repararea acesteia se va face numai la un atelier de asistență service autorizat pentru scule electrice SKIL
 - trimiteți scula sau încărcătorul **în totalitatea lui** cu bonul de cumpărare la distribuitorul sau la centrul de service SKIL cel mai apropiat (adrese și diagrame de service se găsească la www.skil.com)
 - în cazul unui încărcător defect, trimiteți **atât încărcătorul, cât și bateria** la distribuitorul sau la centrul de service SKIL

MEDIUL

- **Nu aruncați sculele electrice, accesoriile sau ambalajele direct la pubelele de gunoi** (numai pentru țările din Comunitatea Europeană)
 - Directiva Europeană 2012/19/EC face referire la modul de aruncare a echipamentelor electrice și electronice și modul de aplicare a normelor în conformitate cu legislația națională; sculele electrice în momentul în care au atins un grad avansat de uzură și trebuie aruncate, ele trebuie colectate separat și reciclate într-un mod ce respectă normele de protecție a mediului inconjurător
 - simbolul ⑥ va va reaminti acest lucru
- Bateriile trebuie păstrate separat în mediul natural și nu trebuie considerate deșeuri domestice normale (simbolul ⑨ va va reaminti acest lucru)
- ! înainte aruncare protejați terminalele bateriei cu lentă protectoare pentru a preîntâmpina scurtcircuitul**

DECLARAȚIE DE CONFORMITATE CE

Mașină de găurit/înșurubat cu acumulatori 2395

Date tehnice ①

- Declaram pe proprie răspundere că produsul descris la paragraful "Date tehnice" este în conformitate cu următoarele standarde și documente normative: EN 60745 (instrument), EN 60335 (încărcător), EN 61000, EN 55014 conform prevederilor directivelor 2006/42/CE, 2014/35/UE, 2014/30/UE, 2011/65/UE

- **Документація технічна** la: SKIL Europe BV (PT-SEU/ENG1), 4825 BD Breda, NL

Marijn van der Hoofden
Operations & Engineering

Olaf Dijkgraaf
Approval Manager

SKIL Europe BV, 4825 BD Breda, NL

21.10.2014

ZGOMOT/VIBRAȚII

- Мăсурат в конформитате с EN 60745 нивелу де presiune а сунетулui генерат де ацест instrument este де <70 dB(A) (abaterea standard: 3 dB) iar нивелу вибраȚиilor * m/s² (metoda mînă-braț; incertitudine K = 1,5 m/s²)
 - * căнд гăуриȚи в метал <2,5 m/s²
 - * căнд вшурубăриȚи <2,5 m/s²
 - Нивелу emisiilor де вибраȚии а fost мăсурат в конформитате сун test standardizat precizat в EN 60745; poate fi folosit pentru а compara о sculă сун alta și ca evaluare preliminară а expunerii la vibraȚii atunci căнд folosiȚи scula pentru aplicaȚии мeнȚionate
 - utilizarea sculei pentru aplicaȚии diferite sau сун accesorii diferite și prost втреȚинute poate crește semnificativ нивелу де expunere
 - momentele в care scula este oprită sau căнд funcționează dar nu execută nicio lucrare, pot reduce semnificativ нивелу де expunere
- ! protejaȚи-vă вmpotriva efectelor vibraȚиilor prin втреȚинerea sculei și а accesoriiilor sale, păstrăнд mâinile calde și organizăнд procesele де lucru**

BG

Акумулаторен бормашина/ винтоверт

2395

УВОД

- Този instrument е предназначен за пробиване на дърво, метал, тухла, камък, керамика и пластмаса; за завинтване и нарязване на резба се предлагат instrumentи с електронно регулиране на скоростта и ляво/дясно въртене
- Този instrument не е предназначен за професионална употреба
- Прочетете и пазете това ръководство за работа ③

ТЕХНИЧЕСКИ ДАННИ ①

Макс. въртящ момент при твърди винтови съединения по ISO 5393 : 26 Nm

ЕЛЕМЕНТИ НА ИНСТРУМЕНТА ②

- A** Спусък за включване/изключване и регулиране на скоростта
- B** Превключвател за обръщане на посоката на въртене
- C** Бързозатягащ патронник
- D** Пръстен за регулиране на въртящия момент

- E** Позиция заключено (съединяване)
- F** Вентилационните отвори
- G** Зарядно устройство
- H** Свети червено на зарядното устройство

БЕЗОПАСНОСТ

ОБЩИ ИНСТРУКЦИИ ЗА БЕЗОПАСНОСТ

⚠ ВНИМАНИЕ! Прочетете внимателно всички указания. Неспазването на приведените по долу указания може да доведе до токов удар, пожар и/или тежки травми. **Съхранявайте тези указания на сигурно място.** Използваният по-долу термин "електроинструмент" се отнася до захранвани от електрическата мрежа електроинструменти (със захранващ кабел) и до захранвани от акумулаторна батерия електроинструменти (без захранващ кабел).

1) БЕЗОПАСНОСТ НА РАБОТНОТО МЯСТО

- Поддържайте работното си място чисто и подредено.** Безпорядъкът или недостатъчното осветление могат да спомогнат за възникването на трудова злополука.
- Не работете с електроинструмента в среда с повишена опасност от възникване на експлозия, в близост до леснозапалими течности, газове или прахообразни материали.** По време на работа в електроинструментите се отделят искри, които могат да възпламенят прахообразни материали или пари.
- Дръжте деца и странични лица на безопасно разстояние, докато работите с електроинструмента.** Ако вниманието Ви бъде отклонено, може да загубите контрола над електроинструмента.

2) БЕЗОПАСНОСТ ПРИ РАБОТА С ЕЛЕКТРИЧЕСКИ ТОК

- Щепселът на електроинструмента трябва да е подходящ за ползвания контакт. В никакъв случай не се допуска изменение на конструкцията на щепсела.** Когато работите със занулени електроуреди, не използвайте адаптери за щепсела. Ползването на оригинални щепсели и контакти намалява риска от възникване на токов удар.
- Избягвайте допира на тялото Ви до заземени тела, напр. тръби, отоплителни уреди, пещи и хладилници.** Когато тялото Ви е заземено, рискът от възникване на токов удар е по-голям.
- Предпазвайте електроинструмента си от дъжд и влага.** Проникването на вода в електроинструмента повишава опасността от токов удар.
- Не използвайте захранващия кабел за цели, за които той не е предвиден, напр. за да носите електроинструмента за кабела или да извадите щепсела от контакта. Предпазвайте кабела от нагряване, омасляване, допир до остри ръбове или до подвижни звена на машини.** Повредени или усукани кабели увеличават риска от възникване на токов удар.

e) **Когато работите с електроинструмент навън, използвайте само удължителни кабели, предназначени за работа на открито.** Използването на удължител, предназначен за работа на открито, намалява риска от възникване на токов удар.

f) **Ако се налага използването на електроинструмента във влажна среда, използвайте предпазен прекъсвач за утечни токове.** Използването на предпазен прекъсвач за утечни токове намалява опасността от възникване на токов удар.

3) БЕЗОПАСЕН НАЧИН НА РАБОТА

a) **Бъдете концентрирани, следете внимателно действията си и постъпвайте предпазливо и разумно. Не използвайте електроинструмента, когато сте уморени или под влиянието на наркотични вещества, алкохол или упойващи лекарства.** Един миг разсеяност при работа с електроинструмент може да има за последствие изключително тежки наранявания.

b) **Работете с предпазващо работно облекло и винаги с предпазни очила.** Носенето на подходящи за ползвания електроинструмент и извършваната дейност лични предпазни средства, като дихателна маска, здрави плътнотатворени обувки със стабилен грайфер, защитна каска или шумозаглушители (антифони), намалява риска от възникване на трудова злополука.

c) **Избягвайте опасността от включване на електроинструмента по невнимание. Преди да включите щепсела в хранящата мрежа или да поставите акумулаторната батерия, се уверявайте, че пусковият прекъсвач е в положение изключено.** Ако, когато носите електроинструмента, държите пръста си върху пусковия прекъсвач, или ако подавате хранящо напрежение на електроинструмента, когато е включен, съществува опасност от възникване на трудова злополука.

d) **Преди да включите електроинструмента, се уверявайте, че сте отстранили от него всички помощни инструменти и гаечни ключове.** Помощен инструмент, забравен на въртящо се звено, може да причини травми.

e) **Не надценявайте възможностите си. Работете в стабилно положение на талото и във всеки момент поддържайте равновесие.** Така ще можете да контролирате електроинструмента по-добре и по-безопасно, ако възникне неочаквана ситуация.

f) **Работете с подходящо облекло. Не работете с широки дрехи или украшения. Дръжте носата си, дрехите и ръкавици на безопасно разстояние от въртящи се звена на електроинструментите.** Широките дрехи, украшенията, дългите коси могат да бъдат захванати и увлечени от въртящи се звена.

g) **Ако е възможно използването на външна аспирационна система, се уверявайте, че тя е включена и функционира изправно.** Използването на аспирационна система намалява

рисковете, дължащи се на отделящата се при работа прах.

4) ВНИМАТЕЛНО ОТНОШЕНИЕ КЪМ ЕЛЕКТРОИНСТРУМЕНТИ

a) **Не претоварвайте електроинструмента. Използвайте електроинструментите само съобразно тяхното предназначение.** Ще работите по-добре и по-безопасно, когато използвате подходящия електроинструмент в зададения от производителя диапазон на натоварване.

b) **Не използвайте електроинструмент, чиито пусков прекъсвач е повреден.** Електроинструмент, който не може да бъде изключван и включван по предвидения от производителя начин, е опасен и трябва да бъде ремонтиран.

c) **Преди да промените настройките на електроинструмента, да замените работни инструменти и допълнителни приспособления, както и когато продължително време няма да използвате електроинструмента, изключвайте щепсела от хранящата мрежа и/или изваждайте акумулаторната батерия.** Тази мярка премахва опасността от задействане на електроинструмента по невнимание.

d) **Съхранявайте електроинструментите на места, където не могат да бъдат достигнати от деца. Не допускайте те да бъдат използвани от лица, които не са запознати с начина на работа с тях и не са прочели тези инструкции.** Когато са в ръцете на неопитни потребители, електроинструментите могат да бъдат изключително опасни.

e) **Поддържайте електроинструментите си грижливо.** Проверявайте дали подвижните звена функционират безупорно, дали не заклинват, дали има счупени или повредени детайли, които нарушават или изменят функциите на електроинструмента. Преди да използвате електроинструмента, се погрижете повредените детайли да бъдат ремонтирани. Много от трудовите злополуки се дължат на недобре поддържани електроинструменти и уреди.

f) **Поддържайте режещите инструменти винаги добре заточени и чисти.** Добре поддържаните режещи инструменти с остри ръбове оказват по-малко съпротивление и се водят по-леко.

g) **Използвайте електроинструментите, допълнителните приспособления, работните инструменти и т.н., съобразно инструкциите на производителя. С дейности и процедури, евантуално предписани от различни нормативни документи.** Използването на електроинструменти за различни от предвидените от производителя приложения повишава опасността от възникване на трудови злополуки.

5) ВНИМАТЕЛНО ОТНОШЕНИЕ КЪМ АКУМУЛАТОРНИ ЕЛЕКТРОИНСТРУМЕНТИ

a) **За зареждането на акумулаторните батерии използвайте само зарядните устройства, препоръчвани от производителя.** Когато използвате зарядни устройства за зареждане на неподходящи акумулаторни батерии, съществува опасност от възникване на пожар.

- b) За **захранване на електроинструментите използвайте само предвидените за съответния модел акумулаторни батерии**. Използването на различни акумулаторни батерии може да предизвика трудова злополука и/или пожар.
- c) **Предпазвайте неизползваните акумулаторни батерии от контакт с големи или мални метални предмети, напр. кламери, монети, ключове, пирони, винтове и др.п., тъй като те могат да предизвикат късо съединение**. Последствията от късото съединение могат да бъдат изгаряния или пожар.
- d) **При неправилно използване от акумулаторна батерия от нея може да изтече електролит. Избягвайте контакта с него. Ако въпреки това на кожата Ви попадне електролит, изпланнете мястото обилно с вода. Ако електролит попадне в очите Ви, незабавно се обърнете за помощ към очен лекар**. Електролитът може да предизвика изгаряния на кожата.

6) ПОДДЪРЖАНЕ

- a) **Допускайте ремонтът на електроинструментите Ви да се извършва само от квалифицирани специалисти и само с използването на оригинални резервни части**. По този начин се гарантира съхраняване на безопасността на електроинструмента.

УКАЗАНИЯ ЗА БЕЗОПАСНА РАБОТА ЗА АКУМУЛАТОРЕН УДАРТ/ВИНТОВЕРТ

- Избягвайте повреди, които могат да бъдат причинени от винтове, гвоздеи и други метални елементи в обработвания детайл; отстранете ги преди да започнете работа
- Преди включване на зарядното устройство в контакта се уверете, че мрежовото напрежение отговаря на напрежението, обозначено на фирмената табелка на зарядното устройство
- При електрическа или механична повреда незабавно спрете електроинструмента или изключете зарядното устройство от захранващата мрежа
- SKIL може да осигури безаварийна работа на електроинструмента само ако се използват оригинални допълнителни приспособления
- Използвайте само принадлежности, чиято допустима скорост на въртене е по-голяма или равна на максималната скорост на въртене на празен ход на електроинструмента
- Инструмент/зарядното устройство не е предназначен за употреба от страна на лица (включително деца) с намалена физически, сетивни или умствени способности, или такива, които нямат нужните опит и знания, освен ако те не са под компетентно ръководство, или ако не са били съответно инструктирани по отношение употребата на инструмента/зарядното устройство от страна на лицето - отговарящо за тяхната безопасност
- Не позволявайте деца да играят с инструмента/ зарядно устройство
- **Обезопасете работния материал** (материал, затегнат в затягащ инструмент или в менгеме е по-устойчив, отколкото ако се държи в ръка)

- **Когато изпълнявате дейности, при които работният инструмент или винта може да попадне на скрити под повърхността проводници под напрежение или да засегне захранващия кабел, внимавайте да допирате електроинструмента само до изолираните ръкохватки** (при контакт с проводник под напрежение то се предава на металните детайли на електроинструмента и това може да предизвика токов удар)
 - **За да откриете скрити под повърхността електрo-, водо- и газопроводи, използвайте подходящи уреди или се обърнете към местното снабдително дружество** (прекъсването на електропроводници под напрежение може да предизвика пожар и/или токов удар; увреждането на газопровод може да предизвика експлозия; засягането на водопровод може да предизвика значителни материални щети и/или токов удар)
 - **Не обработвайте азбестосъдържащ материал** (азбестът е канцерогенен)
 - Прахът от някои материали, като например съдържаща олово боя, някои видове дървесина, минерали и метали може да бъде вреден (контакт или вдишване на такъв прах могат да причинят алергични реакции и/или респираторни заболявания на оператора или стоящите наблизо лица); **използвайте противопрахова маска и работете с аспиращо прахта устройство, когато такова може да бъде свързано**
 - Определени видове прах са класифицирани като карциногенни (като прах от дъб и бук) особено когато са комбинирани с добавки за подобряване на състоянието на дървесината; **използвайте противопрахова маска и работете с аспиращо прахта устройство, когато такова може да бъде свързано**
 - Следвайте дефинираните по БДС изисквания относно запрашеността за материалите, които желаете да обработвате
 - Убедете се че ключа В ② е в средно (блокирано) положение, преди да направите каквито и да релажки или смени на консумативите или когато транспортирате или прибирате инструмента
- ## ЗАРЕЖДАНЕ/БАТЕРИИ
- Зареждането на батерията трябва да се извършва само с помощта на зарядното устройство, включено в комплектовката на електроинструмента
 - Не докосвайте контактите в зарядното устройство
 - Не излагайте на дъжд електроинструмента/ зарядното устройство/батерията
 - Съхранявайте електроинструмента/зарядното устройство/батерията в помещения при температури, не по-високи от 40°C и не по-ниски от 0°C
 - Не зареждайте батериите във влажна или мокра среда
 - Хвърлен в огън, акумулаторът ще експлодира, така че не изгаряйте акумулатора по каквато и да е причина

- Не използвайте повредено зарядно устройство; занесете го в някой от оторизирани сервиси на SKIL за проверка
- Не използвайте зарядното устройство при повреден кабел или щепсел; повреденият кабел или щепсел трябва незабавно да бъде подменен в някой от оторизирани сервиси на SKIL
- Не използвайте неизправна батерия; незабавно я заменете
- Не разглобявайте зарядното устройство или батерията
- Не правете опит за зареждане със зарядното устройство на батерии, които не могат да бъдат презареждани

ОБЪСНЕНИЕ НА СИМВОЛИТЕ НА ЗАРЯДНОТО УСТРОЙСТВО/АКУМУЛАТОРА

- ③ Преди употреба прочетете ръководството с указания
- ④ Използвайте зарядното устройство само на закрито
- ⑤ Двойна изолация (не се изисква кабел за заземяване)
- ⑥ Неправилно свързване на полюсите на зарядното устройство може да доведе до злополука (зареждайте акумулатора само с предоставеното зарядно устройство)
- ⑦ Автоматично изключване, когато зарядното устройство се загрее прекомерно (термопредпазителят изгаря и зарядното устройство става безполезно)
- ⑧ Не изхвърляйте зарядното устройство заедно с битови отпадъци
- ⑨ Не изхвърляйте батерията заедно с битови отпадъци

УПОТРЕБА

- Зареждане на батерията ⑩
 - батерията на новозакупени електроинструменти не е напълно заредена
 - поставете зарядното устройство в захранващата мрежа, както е показано
 - поставете батерията в зарядното устройство
 - червената светлина H ще се включи, указвайки, че батерията се зарежда
 - червената светлина H ще продължи да свети, докато батерията е свързана със зарядното и зарядното е включено в контакта
- ! **извадете батерията от зарядното устройство след приключване на зареждането; по този начин ще удължите експлоатационния срок на батерията**

ВАЖНО:

- след 3 часа процеса на заряд приключва и батерията може да бъде използвана
- през време на зареждане зарядното устройство и батерията могат да бъдат горещи при докосване; това е нормално и не показва проблем
- преди да поставите батерията в зарядното устройство, се уверете, че външната ѝ повърхност е чиста и суха
- не зареждайте батерията при температури, по-ниски от 0°C и по-високи от 45°C; това ще повреди сериозно както батерията, така и зарядното устройство

- не демонтирайте батерията от електроинструмента, докато е включен
- ! **нова или продължително време неизползвана батерията достига пълния си капацитет едва след приблизително 5 цикъла на зареждане/разреждане**
- не зареждайте повторно батерията само след няколко минути работа; това може да доведе до съкращаване на продължителността на работа и ефективността на батерията
- ако предполагате, че електроинструментът няма да бъде използван продължително време, е най-добре да изключите зарядното устройство от захранващата мрежа
- Включване/изключване ⑪
- Регулиране на скоростта за плавно пускане в ход ⑫
- Обръщане на посоката на въртене ⑬
 - ако лостът не е точно в положение включване/изключване, спусъкът A ② не може да бъде активиран
- ! **обръщайте посоката на въртене само когато електроинструментът е напълно спрял**
- Смяна на бит ⑭
 - поставете бита колкото е възможно по-навътре в патронника
- ! **не използвайте бит с повредена опасна**
- Управление на въртящия момент (VariTorque) ⑮
 - изходният въртящ момент ще се увеличи при завъртане на пръстена D на патронника от 1 до 5; в позиция E съединителят се блокира за пробиване и завиване при тежки условия
 - при завиване на винт първо опитайте позиция 1 на съединителя VariTorque и след това увеличете въртящия момент, докато достигнете желаната дълбочина
- Държане и насочване на инструмента ⑯
 - ! **по време на работа, винаги дръжте уреда за оцветената(ите) в сиво зона(и) за хващане**
 - оставете вентилационните отвори F ② непокрити
 - не прилагайте твърде голям натиск върху електроинструмента; нека той да свърши работата вместо вас

УКАЗАНИЯ ЗА РАБОТА

- Използвайте подходящи бит ⑰
 - ! **използвайте само остри бит**
- При пробиване на цветни метали
 - ако ви трябва голям отвор, първо пробийте малък
 - от време на време смазвайте свредлата с машинно масло
- При завиване на винт в близост до ръба на дървен детайл първо пробийте отвор, за да избегнете откътрване на дървото
- За оптимална работа на електроинструмента е необходим постоянен натиск върху винта, включително при развиване
- При завиване на винтове в твърдо дърво първо пробийте отвор
- Пробиване в дърво без откътрване на ръбчето ⑱
- Безпрахово пробиване в стени ⑲
- Безпрахово пробиване в тавани ⑳

- Пробиване на керамични плочки без плъзгане на свредлото ②
- За повече полезни указания вж. www.skil.com

ПОДДРЪЖКА / СЕРВИЗ

- Този инструмент не е предназначен за професионална употреба
- Поддържайте електроинструмента и зарядното устройство чисти
 - почистете контактите на зарядното устройство с алкохол или препарат за почистване на контакти
- ! **преди почистване изключете зарядно устройство от захранващата мрежа**
- Ако въпреки прецизното производство и внимателно изпитване възникне повреда, инструмента/ зарядното устройство да се занесе за ремонт в оторизиран сервиз за електроинструменти на SKIL
 - занесете инструмента или зарядното устройство в неразглобен вид заедно с доказателство за покупката му в търговския обект, откъдето сте го закупили, или в най-близкия сервиз на SKIL (адресите, както и схемата за сервизно обслужване на електроинструмента, можете да намерите на адрес www.skil.com)
 - в случай на дефектно зарядно устройство изпратете **като зарядно устройство, тапа и батерията** на Вашия дилър или оторизирания сервиз на SKIL

ОПАЗВАНЕ НА ОКОЛНАТА СРЕДА

- **Не изхвърляйте електроуредите, приспособленията и опаковките заедно с битови отпадъци** (само за страни от ЕС)
 - съобразно Директивата на ЕС 2012/19/EG относно износени електрически и електронни уреди и отразяването ѝ в националното законодателство износените електроуреди следва да се събират отделно и да се предават за рециклиране според изискванията за опазване на околната среда
 - за това указва символът ⑧ тогава когато трябва да бъдат унищожени
- Батерии трябва да се съхраняват в затворени помещения и не трябва да бъдат изхвърляни с битовите отпадъци (за това указва символът ⑨)
 - ! **преди да изхвърлите батерията, защитете изводите ѝ с дебела лепенка, за да няма опасност от възникване на късо съединение**

ДЕКЛАРАЦИЯ ЗА СЪОТВЕТСТВИЕ

CE

Акумулаторен бормашина/винтоверт 2395

Технически данни ①

- С пълна отговорност ние декларираме, че описаният в "Технически данни" продукт съответства на следните стандарти или нормативни документи: EN 60745 (инструмент), EN 60335 (зарядно устройство), EN 61000, EN 55014 съгласно изискванията на директиви 2006/42/EG, 2014/35/EC, 2014/30/EC, 2011/65/EC

- **Подробни технически описания при:** SKIL Europe BV (PT-SEU/ENG1), 4825 BD Breda, NL

Marijn van der Hoofden
Operations & Engineering

Olaf Dijkgraaf
Approval Manager




SKIL Europe BV, 4825 BD Breda, NL

21.10.2014

ШУМ/ВИБРАЦИИ

- Измерено в съответствие с EN 60745 нивото на звуково налягане на този инструмент е <70 dB(A) (стандартно отклонение: 3 dB) а вибрациите са
 - * m/c^2 (метод ръка-рамо; неопределеност $K = 1,5 m/c^2$)
 - * при пробиване в метал <2,5 m/c^2
 - * при завиване <2,5 m/c^2
- Нивото на предадените вибрации е измерено в съответствие със стандартизиран тест, определен в EN 60745; то може да се използва за сравнение на един инструмент с друг и като предварителна оценка на подлагането на вибрации при използването на инструмента за посочените приложения
 - използването на инструмента за различни от тези приложения или с други, или лошо поддържани аксесоари може значително **да повиши** нивото на което сте подложени
 - периодите от време, когато инструмента е изключен или съответно включен, но с него не се работи в момента могат значително **да намалят** нивото на което сте подложени
- ! **предпазвайте се от ефектите от вибрациите, като поддържате инструмента и аксесоарите му, пазете ръцете си топли и организирате вашите модели на работа**

SK

Акumulátorový vřtací skrutkovač

2395

ÚVOD

- Tento nástroj je určený pre vřtanie do dreva, kovu, tehál, kameňa, keramických materiálov a plastov; nástroje s elektronickým reguláciou rýchlostia s rotáciou doprava/ doľava sú tiež vhodné na skrutkovanie a rezanie závitov
- Tento nástroj nie je vhodný pre profesionálne použitie
- Prečítajte a uschovajte tento návod na použitie ③

TECHNICKÉ ÚDAJE ①

Max. krútiaci moment tvrdé ukončenie skrutkovania podľa ISO 5393 : 26 Nm

ČASTI NÁSTROJA ②

- A** Prepínač zapnúť/vypnúť a regulácia rýchlosti
- B** Prepínač na zmenu smeru otáčania
- C** Rýchlopúcinacie sklúčidlo

- D Krúžok na riadenie krútiaceho momentu
- E Zaistená poloha (spojky)
- F Vetracie štrbiny
- G Nabíjačka
- H Červená kontrolka dobíjania

BEZPEČNOSŤ

VŠEOBECNÉ BEZPEČNOSTNÉ POKYNY

⚠ POZOR! Prečítajte si všetky výstražné upozornenia a bezpečnostné pokyny. Zanedbanie dodržiavania výstražných upozornení a pokynov uvedených v nasledujúcom texte môže mať za následok zásah elektrickým prúdom, spôsobíť požiar a/alebo ťažké poranenie. **Tieto výstražné upozornenia a bezpečnostné pokyny starostlivo uschovajte na budúce použitie.** Pojem ručné "elektrické náradie" používaný v nasledujúcom texte sa vzťahuje na ručné elektrické náradie napájané zo siete (s prírodnou šnúrou) a na ručné elektrické náradie napájané akumulátorovou batériou (bez prírodnej šnúry).

1) BEZPEČNOSŤ NA PRACOVISKU

- a) **Udržiavajte svoje pracovisko čisté a upratané.** Neporiadok na pracovisku alebo neosvetlené časti pracoviska môžu viesť k úrazom.
- b) **Nepracujte elektrickým náradím v prostredí ohrozenom výbuchom, v ktorom sa nachádzajú horľavé kvapaliny, plyny alebo prach.** Elektrické náradie produkuje iskry, ktoré môžu prach alebo pyry zapáliť.
- c) **Deti a iné osoby udržiavajte počas práce od ručného elektrického náradia v dostatočnej vzdialenosti.** V prípade odpútania Vašej pozornosti by ste mohli stratiť kontrolu nad náradím.

2) ELEKTRICKÁ BEZPEČNOSŤ

- a) **Zástrčka prírodnej šnúry sa musí hodiť do napájacej zásuvky. Zástrčka sa v žiadnom prípade nesmie meniť. Pri uzemnených spotrebičoch nepoužívajte spolu s nimi žiadne adaptéry.** Nezmenená zástrčka a vhodná zásuvka znižujú riziko zásahu elektrickým prúdom.
- b) **Vyhýbajte sa telesnému kontaktu s povrchovými plochami uzemnených spotrebičov, ako sú elektrické rúry, vyhrievacie telesá, sporáky a chladničky.** Keď je Vaše telo uzemnené, riziko zásahu elektrickým prúdom je vyššie.
- c) **Chráňte ručné elektrické náradie pred dažďom a vlhkom.** Vniknutie vody do ručného elektrického náradia zvyšuje riziko zásahu elektrickým prúdom.
- d) **Nepoužívajte prírodnú šnúru na prenášanie náradia, na jeho vešanie, ani za ňu nevyťahujte zástrčku zo zásuvky. Prírodnú šnúru chráňte pred horúcou, olejom, ostrými hranami alebo pohybujúcimi sa časťami náradia.** Poškodené alebo zautlenené šnúry zvyšujú riziko zásahu elektrickým prúdom.
- e) **Ak pracujete s ručným elektrickým náradím vonku, používajte len také predlžovacie šnúry, ktoré sú schválené pre používanie vo vonkajších priestoroch.**

Používanie predlžovacej šnúry určenej do vonkajšieho prostredia znižuje riziko zásahu elektrickým prúdom.

- f) **Ak sa nedá vyhnúť použitiu ručného elektrického náradia vo vlhkom prostredí, použite prerušovač uzemňovacieho obvodu.** Používanie prerušovača uzemňovacieho obvodu znižuje riziko zásahu elektrickým prúdom.

3) BEZPEČNOSŤ OSÔB

- a) **Buďte pozorní, dávajte pozor na to, čo robíte a k práci s elektrickým náradím pristupujte rozumne. Nepoužívajte elektrické náradie, keď ste unavení alebo keď ste pod vplyvom drog, alkoholu alebo liekov.** Chvilka nepozornosti pri používaní náradia môže viesť k vážnym poraneniam.
 - b) **Noste osobné ochranné pomôcky, ochranný odev a vždy majte nasadené ochranné okuliare.** Nosenie pracovného odevu a používanie ochranných pomôcok ako ochrannej dýchacej masky, bezpečnostných protišmykových topánok, prilby alebo chrániča sluchu, podľa druhu elektrického náradia, znižuje riziko poranenia.
 - c) **Vyhýbajte sa neúmyselnému uvedeniu ručného elektrického náradia do činnosti. Pred zasunutím zástrčky do zásuvky a/alebo pred pripojením akumulátora, pred chytením alebo prenášaním ručného elektrického náradia sa vždy presvedčte sa, či je ručné elektrické náradie vypnuté.** Ak budete mať pri prenášaní ručného elektrického náradia prst na vypínači, alebo ak ručné elektrické náradie pripojíte na elektrickú sieť zapnutú, môže to mať za následok nehodu.
 - d) **Skôr ako ručné elektrické náradie zapnete, odstráňte nastavovacie a montážne nástroje.** Nástroj alebo kľúč, ktorý sa nachádza v pohyblivej časti náradia, môže spôsobiť poranenie.
 - e) **Neprečunajte sa. Zabezpečte si pevný postoj a neprestajne udržiavajte rovnováhu.** Taktó budete môcť ručné elektrické náradie v neočakávaných situáciách lepšie kontrolovať.
 - f) **Pri práci noste vhodný pracovný odev. Nenoste široké odevy a nemajte na sebe šperky. Dbajte na to, aby ste mali vlasy, odev a rukavice v dostatočnej vzdialenosti od pohyblivých sa častí náradia.** Pohybujúce sa časti náradia by mohli zachytiť voľné oblečenie, šperky alebo dlhé vlasy.
 - g) **Ak možno namontovať zariadenie na odsávanie alebo zachytávanie prachu, presvedčte sa, či je pripojené a správne používané.** Používanie odsávacieho zariadenia a zariadenia na zachytávanie prachu znižuje riziko ohrozenia zdravia prachom.
- #### 4) STAROSTLIVÉ ZAOBCHÁDZANIE S ELEKTRICKÝM NÁRADÍM A JEHO POUŽÍVANIE
- a) **Náradie nepreťažujte. Pre svoju prácu používajte určené elektrické náradie.** Pomocou vhodného ručného elektrického náradia budete môcť v uvedenom rozsahu výkonu pracovať lepšie a bezpečnejšie.
 - b) **Nepoužívajte žiadne ručné elektrické náradie, ktoré má pokazený vypínač.** Ručné elektrické náradie, ktoré sa už nedá zapínať alebo vypínať, je nebezpečné a treba ho dať opraviť.
 - c) **Skôr ako začnete náradie nastavovať alebo prestavovať, vymieňať príslušenstvo alebo skôr,**

ako odložíte náradie, vždy vytiahnite zástrčku sieťovej šnúry zo zásuvky. Toto bezpečnostné opatrenie zabráňuje neúmyselnému spusteniu náradia.

d) **Nepoužívajte ručné elektrické náradie uschovávajúce mimo dosahu detí. Nedopúšťajte, aby ručné elektrické náradie používali osoby, ktoré s ním nie sú dôkladne oboznámené, alebo ktoré si neprečítali tento Návod na používanie.** Ak ručné elektrické náradie používajú neskúsené osoby, stáva sa nebezpečným nástrojom.

e) **Elektrické náradie starostlivo ošetrujte. Skontrolujte, či pohyblivé súčiastky náradia bezchybne fungujú a neblokujú a či nie sú zlomené alebo poškodené niektoré súčiastky, ktoré by mohli negatívne ovplyvniť fungovanie ručného elektrického náradia. Pred použitím ručného elektrického náradia dajte poškodené súčiastky opraviť.** Nejedna úraz bol spôsobený zle udržiavaným náradím.

f) **Používajte nástroje udržiavajte ostré a čisté.** Starostlivo ošetrované nástroje s ostrými reznými hranami sa menej často zablokujú a ich vedenie je podstatne ľahšie.

g) **Používajte ručné elektrické náradie, príslušenstvo, pracovné nástroje a pod. podľa týchto pokynov. Zohľadnite pritom konkrétne pracovné podmienky a činnosť, ktorú máte vykonať.** Používanie ručného elektrického náradia na iné ako určené účely môže viesť k nebezpečným situáciám.

5) **STAROSTLIVÉ ZAOBCHÁDZANIE S ELEKTRICKÝM NÁRADÍM NAPÁJANÝM AKUMULÁTOROM A JEHO POUŽÍVANIE**

a) **Akumulátor nabíjajte len v takých nabíjačkách, ktoré odporúča výrobca.** Ak nabíjate nabíjačkou určenou pre určitý druh akumulátorov iné akumulátory, hrozí nebezpečenstvo požiaru.

b) **Do ručného elektrického náradia používajte len určené akumulátory.** Používanie iných akumulátorov môže mať za následok poranenie, alebo môže spôsobiť vznik požiaru.

c) **Keď akumulátor nepoužívate, zabezpečte, aby sa nemohol dostať do styku s kancelárskymi sponami, mincami, kľúčmi, klincami, skrutkami alebo inými drobnými predmetmi, ktoré by mohli spôsobiť premostenie kontaktov.** Skrat medzi kontaktmi akumulátora môže spôsobiť popálenie alebo požiar.

d) **Ak sa akumulátor používa nevhodne, môže z neho unikáť kvapalina. Vyhýbajte sa kontaktu s ňou. V prípade náhodného kontaktu umyte postihnuté miesto vodou. Ak sa dostane akumulátorová kvapalina do očí, vyhľadajte okrem toho aj lekársku pomoc.** Vytekájúca kvapalina môže spôsobiť podráždenie pokožky alebo popálenie.

6) **SERVIS**

a) **Ručné elektrické náradie zverte do opravy len kvalifikovanému personálu a používajte len originálne náhradné súčiastky.** Tým sa zabezpečí zachovanie bezpečnosti ručného elektrického náradia.

BEZPEČNOSTNÉ POKYNY PRE AKUMULÁTOROVÝ VRTACÍ SKRUTKOVÁČ

• Zabráňte poškodeniu náradia skrutkami, klincami a inými kovovými predmetmi v obrobku; zoberte ich dole prv než začnete pracovať

- Vždy skontrolujte či je napájacie napätie rovnaké ako napätie uvedené na štítku nabíjačke
- V prípade elektrickej alebo mechanickej poruchy okamžite nástroje vypnite, alebo vytiahnite nabíjačku zo zásuvky
- SKIL zabezpečí hladký chod nástroja len ak sa používa pôvodné príslušenstvo
- Používajte iba príslušenstvo, u ktorého hodnota prípustných obrátok zodpovedá minimálne najvyšším obrátkam náradia
- Nástroj/nabíjačka nie je určený/á na použitie osobami (vrátane detí), ktoré majú znížené fyzické, zmyslové alebo mentálne schopnosti, alebo majú nedostatok skúsenosti a vedomosti, pokiaľ nad nimi nie je dozor alebo im neboli poskytnuté pokyny zahŕňajúce použitie tohto nástroja/nabíjačky osobou, ktorá je zodpovedná za ich bezpečnosť
- Uistite sa, že sa deti s nástrojom/nabíjačkou nehrajú
- **Zaistite obrábaný diel** (obrábaný diel uchytený pomocou upínacích zariadení alebo vo zveráku je oveľa bezpečnejší kým v ruke)
- **Držte elektrické náradie len za izolované plochy rukoväti, ak vykonávate takú prácu, pri ktorej by mohli použitý pracovný nástroj alebo skrutka natrafiť na skryté elektrické vedenia alebo zasiahnuť vlastnú prívodnú šnúru náradia** (kontakt s elektrickým vedením, ktoré je pod napätím, môže dostať pod napätie aj kovové súčiastky náradia a spôsobiť zásah elektrickým prúdom)
- **Na vyhľadanie skrytých elektrických vedení, plynových a vodovodných potrubí použite vhodné hľadacie prístroje, alebo sa spojte s príslušným dodávateľom** (kontakt s elektrickým vedením môže mať za následok vznik požiaru alebo spôsobiť zásah elektrickým prúdom; poškodenie plynového potrubia môže spôsobiť výbuch; prevrtanie vodovodného potrubia spôsobí vecné škody, alebo môže spôsobiť zásah elektrickým prúdom)
- **Neobrábajte materiál, ktorý obsahuje azbest** (azbest sa považuje za rakovinotvorný materiál)
- Prach z materiálu, akým je náter obsahujúci olovo, niektoré druhy dreva, minerály a kovy môže byť škodlivý (styk alebo nadýchanie prachu môže spôsobiť alergické reakcie a/alebo respiračné ochorenia obsluhy a okolostojacich osôb); **používajte ochrannú masku tváre a pracujte so zariadením na odsávanie prachu, ak je takéto zariadenie možné pripojiť**
- Určité druhy prachu sú klasifikované ako karcinogénne (akým dubový a bukový prach), a to hlavne v spojení s prísadami pre úpravu dreva; **používajte ochrannú masku tváre a pracujte so zariadením na odsávanie prachu, ak je takéto zariadenie možné pripojiť**
- Dodržujte stanovené nariadenia pre prácu v prašnom prostredí
- Zabezpečte, aby prepínač B ② bol v strednej (uzamknutej) polohe skôr ako budete nástroje nastavovať alebo meniť príslušenstvo ako aj pred nesením alebo každým odložením nástroja

NABÍJANIE/BATÉRIÍ

- Batériu nabíjajte iba pomocou nabíjačky, ktorá sa dodáva s nástrojom
- Nedotýkajte sa kontaktov na nabíjačke
- Nástroj, nabíjačku a batériu nevystavujte dažďu

- Nástroj, nabíjačku a batériu skladujte na miestach, kde teplota neprekročí 40°C alebo neklesne pod 0°C
- Nenabíjajte batériu vo vlhkom alebo mokrom prostredí
- Batérie po vzhodení do ohňa vybuchnú a preto batériu zo žiadneho dôvodu do ohňa nevhadzujte.
- Nabíjačku nepoužívajte, keď je poškodená; na kontrolu bezpečnosti ju prineste do jednej z oficiálne registrovaných servisných staníc firmy SKIL
- Nabíjačku nepoužívajte, keď je poškodená šnúra alebo zástrčka; šnúra alebo zástrčka by sa mala okamžite vymeniť v niektorej z oficiálne registrovaných servisných staníc firmy SKIL
- Nepoužívajte batériu, keď je poškodená; mala by sa okamžite vymeniť
- Nabíjačku alebo batériu nedemontujte
- Nepokúšajte sa dobíjať nenabíjateľné batérie pomocou nabíjačky

VYSVETLENIE SYMBOLOV NA NABÍJAČKE/BATÉRII

- ③ Pred použitím si prečítajte návod na obsluhu
- ④ Nabíjačku používajte iba v miestnosti
- ⑤ Dvojité izolácia (nevyžaduje sa uzemňovací kábel)
- ⑥ Nesprávna polarita pripojenia nabíjačky môže spôsobiť vznik nebezpečenstva (batériu nabíjajte iba pomocou dodávanej nabíjačky)
- ⑦ Automatické vypnutie v prípade prehriatia nabíjačky (teplotná poisťka sa prepáli a nabíjačka bude nepoužiteľná)
- ⑧ Nabíjačku nevyhadzujte do komunálneho odpadu
- ⑨ Batériu nevyhadzujte do komunálneho odpadu

POUŽITIE

- Nabíjanie batérie ⑩
 - batéria nového nástroja nie je plne nabitá
 - podľa obrázku zapojte nabíjačku do zásuvky
 - vložte batériu do nabíjačky
 - červená kontrolka H sa rozsvieti, čo znamená že batéria sa nabíja
 - červená kontrolka H bude svietiť akolia' bude batéria pripojený k nabíjačke a dokolia' nabíjačka bude pripojená k stenovej sieťovej zásuvke
- ! **po skončení nabíjacej doby baterku vyberte z nabíjačky, čím predĺžite životnosť batérie**
- DÔLEŽITÁ POZNÁMKA:
 - po 3 hodinách je nabíjanie ukončené a batériu možno používať
 - pri nabíjaní sa nabíjačka aj batéria môžu zahriať tak, že sú na dotyk teplé; toto je normálne a neoznačuje to žiadny problém
 - zabezpečte, aby vonkajší povrch batérie bol pred zasunutím do nabíjačky čistý a suchý
 - nenabíjajte pri teplotách pod 0°C a nad 45°C; toto vážne poškodí batériu aj nabíjačku
 - batériu nevyberajte z nástroja, keď beží
- ! **batériu, ktorý je nový, alebo sa dlhší čas nepoužíval, dosiahne plný výkon až po približne 5 nabíjacích/vybíjacích cykloch**
- batériu opakovane nedobíjajte iba po niekoľkých minútach prevádzky; toto môže viesť k zníženiu prevádzkového času a účinnosti batérie
- ak predpokladáte dlhú dobu nepoužívania nástroja, najlepšie je nabíjačku vytiahnuť zo zásuvky
- Zapnutie/vypnutie ⑪

- Regulácia rýchlosti na hladké zapnutie ⑫
- Zmena smeru otáčania ⑬
 - ak nie je správne nastavená v polohe vľavo/vpravo, spínač A ② a nedá aktivovať
- ! **zmeňte smer otáčania len keď je nástroj úplne nečinný**
- Ako vymeniť hroty ⑭
 - vložte hrot čo najhlbšie do upínacieho vretena
- ! **nepoužívajte hroty s poškodenou stopkou**
- Riadenie krútiaceho momentu (VariTorque) ⑮
 - výstupný moment bude rásť, keď sa krúžok skľučovadla D otáča od 1 po 5; poloha E skľučovadlo zaistí, aby umožnila vítanie alebo pohon pri veľmi tvrdom obrobru
 - keď zaťahujete skrutku, najprv sa pokúste s polohou skľučovadla VariTorque 1 a zvyšujte to, kým sa nedosiahne požadovaná hľbka
- Držanie a vedenie nástroja ⑯
 - ! **počas práce vždy držte nástroj v oblasti sivého držadla(iel)**
 - vetracie štrbiny F ② udržujte nezakryté
 - na nástroj príliš netlačte; nechajte nástroj robiť prácu za Vás



RADU NA POUŽITIE

- Používajte vhodné hroty ⑰
 - ! **používajte len ostré hroty**
- Vítanie železných kovov
 - keď je treba vyvrtáť väčšiu dieru, najskôr predvrtajte menšiu dieru
 - natrite vítacie hroty z času na čas olejom
- Pri zaťahovaní skrutky v blízkosti rezu alebo na hrane dreva by sa mala predvrtáť diera, aby sa zabránilo prasknutiu dreva
- Pre optimálne použitie nástroja sa vyžaduje rovnomerný tlak na skrutku, hlavne pri vyberaní
- Pri zaskrutkovaní do tvrdého dreva by sa mala predvrtáť diera
- Vítanie do dreva bez triesok ⑱
- Bezprachové vítanie do tehál ⑲
- Bezprachové vítanie do stropov ⑳
- Vítanie do kachličiek bez šmykania ㉑
- Viac rád nájdete na www.skil.com

ÚDRŽBA / SERVIS

- Tento nástroj nie je vhodný pre profesionálne použitie
- Nástroj a nabíjačku uchovávajte čisté
 - nabíjacie kontakty v nabíjačke čistite pomocou alkoholu alebo čistiaceho prostriedku na kontakty
- ! **pred čistením nabíjačku vytiahnite zo zásuvky**
- Ak by nástroj/nabíjačka napriek starostlivej výrobe a kontrole predsa len prestal niekedy fungovať, treba dať opravu vykonať autorizovanej servisnej opravovni elektrického náradia SKIL
 - pošlite nástroj alebo nabíjačku bez rozmontovania spolu s dôkazom o kúpe; vášmu dilerovi alebo do najbližšieho servisného strediska SKIL (zoznam adries servisných stredísk a servisný diagram nástroja sú uvedené na www.skil.com)
 - ak je nabíjačka poškodená, odošlite **nabíjačku a batériu** svojmu predajcovi alebo servisu značky SKIL

ŽIVOTNÉ PROSTREDIE

- **Elektrické náradie, príslušenstvo a balenia nevyhadzujte do komunálneho odpadu** (len pre štáty EÚ)
 - podľa európskej smernice 2012/19/EG o nakladaní s použitými elektrickými a elektronickými zariadeniami a zodpovedajúcich ustanovení právnych predpisov jednotlivých krajín sa použité elektrické náradie musí zbierať oddelene od ostatného odpadu a podrobiť ekologicky šetrnej recyklácii
 - pripomenie vám to symbol , keď ju bude treba likvidovať
 - Batéria sa musí uchovávať oddelene od prírodného prostredia a nemala by sa likvidovať ako normálny domáci odpad (pripomenie vám to symbol , keď ju bude treba likvidovať)
- ! **pred likvidáciou ochráňte vývody batérie hrubou páskou, aby ste zabránili skratu**

VYHLÁSENIE O ZHODE C E

Akumulátorový vŕtací skrutkovač 2395

Technické údaje ①

- Na vlastnú zodpovednosť vyhlasujeme, že dole popísaný výrobok "Technické údaje" sa zhoduje s nasledujúcimi normami alebo normatívnymi dokumentami: EN 60745 (nástroj), EN 60335 (nabíjačka), EN 61000, EN 55014 podľa ustanovení smernice 2006/42/EG, 2014/35/EU, 2014/30/EU, 2011/65/EU
- **Súbor technickej dokumentácie sa nachádzajú na adrese:** SKIL Europe BV (PT-SEU/ENG1), 4825 BD Breda, NL

Marijn van der Hoofden
Operations & Engineering

Olaf Dijkgraaf
Approval Manager

SKIL Europe BV, 4825 BD Breda, NL

21.10.2014

HLUKU/VIBRÁCIÁCH

- Merané podľa EN 60745 je úroveň akustického tlaku tohto nástroja <70 dB(A) (štandardná odchýlka: 3 dB) a vibrácie sú * m/s² (metóda ruka - paža; nepresnosť K = 1,5 m/s²)
 - * pri vŕtaní do kovu <2,5 m/s²
 - * pri zaskrutkovaní <2,5 m/s²
- Hladina emisií od vibrácií bola nameraná v súlade s normalizovaným testom uvedeným v norme EN 60745; môže sa používať na vzájomné porovnávanie náradí a na predbežné posúdenie vystavenia účinkom vibrácií pri používaní náradia pre uvedené aplikácie
 - používanie náradia na rôzne aplikácie, alebo v spojení s rôznymi alebo nedostatočne udržiavanými doplnkami môže značne **zvýšiť** úroveň vystavenia
 - časové doby počas ktorých je je náradie vypnuté alebo počas ktorých náradie beží ale v skutočnosti nevykonáva prácu môžu značne **znižiť** úroveň vystavenia

- ! **chráňte sa pred účinkami vibrácií tak, že budete náradie a jeho príslušenstvo správne udržiavať, tak že nebudete pracovať so studenými rukami a tak že si svoje pracovné postupy správne zorganizujete**

HR

Akumulátorská bušilica/odvijač 2395

UVOD

- Alat je predvídaný za bušenie u drvu, metalu, opeci, kamenju, keramiku i plastiku; uređaj s elektronskom regulacijom broja okretaja i hodom desno/lijevo prikladan je i za uvijanje vijaka i narezivanje navoja
- Ovaj uređaj nije namijenjen profesionalnoj upotrebi
- Pažljivo pročitajte i sačuvajte ove upute za rukovanje ③

TEHNIČKI PODACI ①

Max. zakretni moment za mekši slučaj uvijanja prema ISO 5393 : 26 Nm

DIJELOVI ALATA ②

- A Prekidač za uključivanje/isključivanje i za kontrolu brzine
- B Prekidač za promjenu smjera rotacije
- C Brzostezna glava
- D Prsten za odabir zakretnog momenta
- E Položaj-zaključano (stezna glava)
- F Otvori za strujanje zraka
- G Punjač
- H Crvena lampica punjača

SIGURNOST

OPĆE SIGURNOSNE UPUTE

PAŽNJA! Treba pročitati sve napomene o sigurnosti i upute. Ako se ne bi pošivala napomene o sigurnosti i upute to bi moglo uzrokovati strujni udar, požar i/ili teške ozljede. **Sačuvajte sve napomene o sigurnosti i upute za buduću primjenu.** U daljnjem tekstu korišten pojam "električni alat" odnosi se na električne alate s priključkom na električnu mrežu (s mrežnim kabelom) i na električne alate s napajanjem iz aku baterije (bez mrežnog kabela).

1) SIGURNOST NA RADNOM MJESTU

- a) **Vaše radno područje održavajte čisto i uredno.**
Nered ili neosvijetljeno radno područje mogu doći do nezgoda.
- b) **S uređajem ne radite u okolini ugroženoj eksplozijom, u kojoj se nalaze zapaljive tekućine, plinovi ili prašina.** Električni alati proizvode iskre koje mogu zapaliti prašinu ili pare.
- c) **Djecu i ostale osobe držite dalje tijekom korištenja električnog alata.** Ako bi skrenuli pozornost sa posla mogli bi izgubiti kontrolu nad uređajem.

2) ELEKTRIČNA SIGURNOST

- a) **Priključni utikač uređaja treba odgovarati utičnici.** Na utikaču se ni u kojem slučaju ne smiju izvoditi izmjene. Ne koristite adapterske utikače zajedno sa

- uređajima koji su zaštićeni uzemljenjem. Originalni utikač i odgovarajuće utičnice smanjuju opasnost od električnog udara.
- b) **Izbjegavajte dodir tijela s uzemljenim površinama kao što su cijevi, centralno grijanje, štednjaci i hladnjaci.** Postoji povećana opasnost od električnog udara ako je vaše tijelo uzemljeno.
 - c) **Držite uređaj dalje od kiše ili vlage.** Prodiranje vode u električni uređaj povećava opasnost od električnog udara.
 - d) **Priključni kabel ne koristite za nošenje, vješanje ili za izvlačenje utikača iz utičnice.** Držite kabel dalje od izvora topline, ulja, oštirih rubova ili pomičnih dijelova uređaja. Oštećen ili usukan kabel povećava opasnost od električnog udara.
 - e) **Ako s električnim uređajem radite na otvorenom, koristite samo produžni kabel odobren za uporabu na otvorenom.** Primjena produžnog kabela prikladnog za uporabu na otvorenom smanjuje opasnost od električnog udara.
 - f) **Ako se ne može izbjeći uporaba električnog alata u vlažnoj okolini, upotrijebite sigurnosna sklopka za propuštanje u zemlju.** Upotrebom sigurnosne sklopke za propuštanje u zemlju smanjuje se opasnost od električnog udara.
- ### 3) SIGURNOST LJUDI
- a) **Budite oprezni, pazite što činite i postupajte razumno kod rada s električnim alatom. Ne koristite uređaj ako ste umorni ili pod utjecajem opojnih sredstava, alkohola ili lijekova.** Trenutak nepažnje kod uporabe uređaja može doći do ozbiljnih ozljeda.
 - b) **Nosite sredstva osobne zaštite i uvijek zaštitne naočale.** Nošenje sredstava osobne zaštite, kao što je zaštitna maska, sigurnosne cipele koje ne klize, zaštitne kacige ili štitnika za sluh, ovisno od vrste i primjene električnog alata, smanjuje opasnost od nezgoda.
 - c) **Izbjegavajte nehotično puštanje u rad. Prije nego što ćete utaknuti utikač u utičnicu i/ili staviti aku-bateriju, provjerite je li električni alat isključen.** Ako kod nošenja električnog alata imate prst na prekidaču ili se uključen uređaj priključi na električno napajanje, to može dovesti do nezgoda.
 - d) **Prije nego što uređaj uključite, uklonite alate za podešavanje ili vijčane ključeve.** Alat ili ključ koji se nalazi u rotirajućem dijelu uređaja može doći do nezgoda.
 - e) **Ne precjenjujte svoje sposobnosti. Zauzmite siguran i stabilan položaj tijela i držite u svakom trenutku ravnotežu.** Na taj način možete uređaj bolje kontrolirati u neočekivanim situacijama.
 - f) **Nosite prikladnu odjeću. Ne nosite široku odjeću ili nakit.** Neka vaša kosa, odjeća i rukavice budu što dalje od pomičnih dijelova. Mlohavu odjeću, nakit ili dugu kosu mogu zahvatiti pomični dijelovi uređaja.
 - g) **Ako se mogu montirati naprave za usisavanje i hvatanje prašine, provjerite da li su iste priključene i da li se pravilno koriste.** Primjena naprave za usisavanje može smanjiti ugroženost od prašine.
- ### 4) BRIŽLJIVA UPORABA ELEKTRIČNIH ALATA
- a) **Ne preopterećujte uređaj. Koristite za vaše radove za to predviđen električni alat.** S odgovarajućim

- električnim alatom radit ćete bolje i sigurnije, u navedenom području učinka.
- b) **Ne koristite električni alat čiji je prekidač neispravan.** Električni alat koji se više ne može uključiti ili isključiti, opasan je i treba se popraviti.
 - c) **Izvucite utikač iz mrežne utičnice i/ili izvadite aku-bateriju prije podešavanja uređaja, zamjene pribora ili odlaganja uređaja.** Ovim mjerama opreza spriječit će se nehotično pokretanje uređaja.
 - d) **Nekoristišene električne alate spremite izvan doseg djece. Ne dopustite da uređaj koriste osobe koje s njim nisu upoznate ili koje nisu pročitale upute za uporabu.** Električni alati su opasni ako ih koriste neiskusne osobe.
 - e) **Uređaj održavajte s pažnjom. Kontrolirajte da li pomični dijelovi uređaja besprijekorno rade i da nisu zaglavljivi, te da li su dijelovi polomljeni ili tako oštećeni da negativno djeluju na funkciju uređaja. Popravite oštećene dijelove prije uporabe uređaja.** Mnoge nezgode imaju svoj uzrok u loše održanim uređajima.
 - f) **Rezne alate održavajte oštirim i čistim.** Pažljivo održavani rezni alati s oštirim oštricama neće se zaglaviti i lakši su za vođenje.
 - g) **Koristite električne alate, pribor, radne alate, itd., prema navedenim uputama. Pri tome uzmite u obzir radne uvjete i radove koje se izvode.** Uporaba električnih alata za neke druge primjene različite od predviđenih, može doći do opasnih situacija.
- ### 5) BRIŽLJIVA UPORABA AKUMULATORSKIH UREĐAJA
- a) **Aku-baterije punite samo s punjačima koje preporučuje proizvođač.** Punjač koji je prikladan za jednu određenu vrstu aku-baterije, postoji opasnost od požara ako bi se koristio s nekom drugom aku-baterijom.
 - b) **Koristite isključivo samo aku-baterije koje su za određene električne alate predviđene.** Uporaba neke druge aku-baterije može doći do ozljeda i opasnosti od požara.
 - c) **Nekoristenu aku-bateriju držite dalje od uredskih spajalica, kovanica, ključeva, čavala, vijaka ili drugih sitnih metalnih predmeta koji bi mogli prouzročiti premošćenje, kontakata.** Kratki spoj između kontakata aku-baterije može doći do opekline ili do požara.
 - d) **Kod pogrešne primjene aku-baterije tekućina može iz nje isteći. Izbjegavajte dodir s ovom tekućinom. Kod slučajnog dodira s tekućinom, odmah s vodom isprati. Ako bi tekućina dospjela u oči, odmah zatražite liječničku pomoć.** Istekla tekućina može doći do nadražaja kože ili opekline.
- ### 6) SERVIS
- a) **Popravlak uređaja prepustite samo kvalificiranom stručnom osoblju i samo s originalnim rezervnim dijelovima.** Na taj će se način postići održavanje stalne sigurnosti uređaja.

UPUTE ZA SIGURAN RAD ZA AKUMULATORSKI BUŠILICA/ODVIJAČIMA

- Izbjegavajte oštećenja od vijaka, čavala i sličnih predmeta na vašem izratku; prije početka rada ih izvadite
- Uvijek provjerite je li napon napajanja isti kao onaj naveden na tipskoj pločici punjača

- U slučaju neuobičajenog ponašanja uređaja ili neobičnih šumova, uređaj treba odmah isključiti i izvući utikač iz mrežne utičnice
- SKIL može osigurati besprijekoran rad uređaja samo ako se koristi originalni pribor
- Upotrebljavajte pribor čija dopuštena brzina odgovara najvećoj brzini alata u praznom hodu
- Nije predviđeno da se ovim alatom/punjačem koriste osobe (uključujući i djecu) sa smanjenim fizičkim, osjetilnim ili mentalnim sposobnostima, neiskusne i neobučene osobe, osim ako se nalaze pod nadzorom osobe koja odgovara za njihovu sigurnost ili su od nje dobile upute o načinu korištenja alata/punjača
- Pobrinite se da se djeca ne igraju ovim alatom/punjačem
- **Osigurajte izradak** (izradak je sigurnije pričvršćen pomoću stezaljke ili škripa nego da ga držite rukom)
- **Električni alat držite na izoliranim površinama zahvata, kada radite na mjestima gdje bi svrdlo ili vijak mogli oštetiti skrivene električne kablove ili vlastiti priključni kabel** (kontakt sa vodom pod naponom može i metalne dijelove električnog alata staviti pod napon i dovesti do strujnog udara)
- **Koristite prikladne uređaje za traženje napona kako bi se pronašli skriveni napojni vodovi ili se savjetuje s lokalnim distributerom** (kontakt s električnim vodovima mogao bi doći do požara i električnog udara; oštećenje plinske cijevi moglo bi dovesti do eksplozije; probijanje vodovodne cijevi uzrokuje materijalne štete ili može uzrokovati električni udar)
- **Ne obrađujte materijal koji sadrži azbest** (azbest se smatra kancerogenim)
- Prašina od materijala kao što su boje koje sadrže olovo, neke vrste drveća, minerali i metal mogu biti opasne (dodir s prašinom ili njeno udisanje mogu prouzročiti alergijske reakcije i/ili respiratorna oboljenja rukovatelja ili posmatrača); **nosite masku za zaštitu od prašine i radite s uređajem za ekstrakciju prašine ukoliko ga možete priključiti**
- Određene vrste prašine klasificiraju se kao karcinogenske (kao što su prašina hrastovine i bukovine), osobito u sudejstvu s aditivima za kondicioniranje drveta; **nosite masku za zaštitu od prašine i radite s uređajem za ekstrakciju prašine ukoliko ga možete priključiti**
- Nacionalni uvjeti za materijale s kojima želite raditi
- Prilikom promjene pribora, prenošenja ili spremanja alata obavezno prekidač B ② postaviti u srednju poziciju (zaključano)

PUNJENJE/AKU-BATERIJE

- Bateriju puniti isključivo preko isporučenog punjača
- Ne dirati kontakte u punjaču
- Uređaj/punjač/bateriju nikada ne izlagati djelovanju kiše
- Uređaj/punjač/bateriju spremajte uvijek kod temperatura prostorije nižih od 40°C i viših od 0°C
- Ne puniti bateriju u vlažnom ili mokrom okruženju
- U dodiru s vatrom baterije će eksplodirati, stoga ne spaljujte bateriju iz bilo kojih razloga
- Oštećene punjače ne puštati u rad; u tu svrhu uređaj i punjač treba predati u ovlašteni SKIL servis
- Punjač ne koristiti dalje ako je oštećen kabel ili utikač, nego odmah u ovlaštenom servisu zamijeniti ili mrežni utikač

- Oštećenu bateriju ne koristiti dalje nego je odmah zamijeniti
- Punjač ili bateriju nikada ne rastavljajte niti zamjenjujte
- Ne pokušavajte punjačem puniti baterije koje nisu predviđene za punjenje

POJAŠNJENJE SIMBOLA NA PUNJAČU/BATERIJU

- ③ Prije upotrebe pročitajte korisnički priručnik
- ④ Punjač koristite samo unutra
- ⑤ Dvostruka izolacija (dozemna žica nije potrebna)
- ⑥ Krivi polaritet spoja punjača može uzrokovati problem (puniti bateriju samo pomoću punjača koji ste dobili s aparatom)
- ⑦ Automatsko isključivanje kada se punjač pregrije (termički osigurač iskoči, pa punjač postaje beskoristan)
- ⑧ Punjač ne bacajte u kućni otpad
- ⑨ Bateriju ne bacajte u kućni otpad

POSLUŽIVANJE

- Punjenje aku-baterije ⑩
 - aku-baterije novih uređaja nisu potpuno napunjene
 - punjač priključiti na mrežni napon kao na ilustraciji
 - akumulator staviti u punjač
 - uključit će se crvena lampica H koja prikazuje da se akumulator puni
 - crvena lampica H ostaje uključena sve dok je baterija priključen na punjač i punjač je priključen na zidnu utičnicu
- ! **baterija se nakon završenog postupka punjenja treba izvaditi iz punjača, na koji će se način produžiti vijek trajanja baterije**

VAŽNO:

- nakon 3 sata vremena punjenja postupak punjenja je završen i baterija se može koristiti
- pri punjenju se punjač i baterija zagriju; to stanje je uobičajeno i ne predstavlja problem
- vanjske površine baterije trebaju biti suhe i čiste, prije nego što se baterija stavi u punjač
- kod temperatura nižih od 0 °C i viših od 45 °C treba izbjegavati punjenje; time se može oštetiti punjač i aku-baterija
- baterija se ne smije vaditi tijekom rada uređaja
- ! **nova aku-baterija ili ona koja se nije dulje vrijeme koristila, dati će svoj puni učinak otprilike nakon 5 ciklusa punjenja/praznjenja**
- aku-baterija se ne smije ponavljano puniti nakon svakog kratkog rada; to može rezultirati skraćanjem njenog vijeka trajanja i smanjenjem učinkovitosti aku-baterije
- ako uređaj nećete dulje vrijeme koristiti, izvucite mrežni utikač punjača iz utičnice
- Uključivanje/isključivanje ⑪
- Reguliranje broja okretaja za meko pokretanje ⑫
- Promjena smjera rotacije ⑬
 - ako položaj lijevo/desno nije ispravno preskočilo, prekidač A ② se ne može aktivirati
- ! **smjer rotacije mijenjati samo dok alat miruje**
- Zamjena nastavaka ⑭
 - umetnuti nastavak što dublje u steznu glavu
- ! **ne koristite nastavke s oštećenom drškom**
- Kontrola zakretnog momenta (VariTorque) ⑮
 - zakretni moment će se povećati ukoliko se prsten spojke D okrene iz položaja 1 na 5; u položaju E će

spojka blokirati, kako bi se izvršili teži radovi bušenja i uvijanja vijaka

- kod uvijanja nekog vijka počnite najprije s VariTorque položajem 1 i povećavajte nakon toga polako do doziranja željene dubine
- Držanje i vođenje uređaja 16
- ! **alat kod primjene, držati samo na sivo označenim područjima**
- otvore za strujanje zraka F 2 držite nepokriveno
- ne djelujte prevelikom pritiskom na uređaj; ostavite uređaju da radi za vas

SAVJETI ZA PRIMJENU

- Treba koristiti odgovarajuće bitove 17
- ! **koriste se samo oštri bitovi**
- Kod bušenja metala
 - prebušiti manju rupu ako se buši velika rupa
 - nastavke po potrebi namazati uljem
- Kod uvijanja vijka na prednjem ili stražnjem dijelu nekog izratka od drva, treba se prethodno izbušiti rupa, kako bi se izbjeglo kаланje drvа
- Za optimalnu uporabu alata potreban je stalni pritisak na vijak, posebno tijekom odvijanja
- Kod uvijanja vijka u tvrdo drvo treba se prethodno izbušiti rupa
- Bušenje u drvo bez stvaranja iveraka 18
- Bušenje u zid bez stvaranja prašine 19
- Bušenje u strop bez stvaranja prašine 20
- Bušenje keramičkih pločica bez klizanja vrha svrdla 21
- Dodatne savjete možete naći na adresi www.skil.com

ODRŽAVANJE / SERVISIRANJE

- Ovaj uređaj nije namijenjen profesionalnoj upotrebi
- Uređaj i punjač održavajte uvijek čistim
 - očistite kontakte punjača ili s alkoholom ili s čistačem kontakata
- ! **prije čišćenja punjača treba izvući njegov mrežni utikač**
- Ako bi uređaj/punjač unatoč brižljivih postupaka izrade i ispitivanja ipak prestao raditi, popravak treba prepustiti ovlaštenom servisu za SKIL električne alate
 - uređaj ili punjač treba **nerastavljeno** predati, zajedno s računom o kupnji u najbližu SKIL ugovornu servisnu radionicu (popise servisa, kao i oznake rezervnih dijelova uređaja možete naći na adresi www.skil.com)
 - u slučaju kvara punjača pošaljite **punjač i bateriju** svom distributeru ili servisu tvrtke SKIL

ZAŠTITA OKOLIŠA

- **Električne alate, pribor i ambalažu ne bacajte u kućni otpad** (samo za EU-države)
 - prema Europskoj direktivi 2012/19/EG o staroj električnoj i elektroničkoj opremi i njenoj primjeni u skladu sa nacionalnim zakonom, istrošeni električni alati moraju se sakupljati odvojeno i odvesti u posebne pogone za reciklažu
 - na to podsjeća simbol 9 kada se javi potreba za odlaganjem
- Aku-baterija treba se propisno zbrinuti u otpad i ne smije se bacati u kućni otpad (na to podsjeća simbol 9)

! **prije nego što aku-bateriju zbrinete u otpad, zaštitite njene polove**

DEKLARACIJA O SUKLADNOSTI CE

Akumulatorska bušilica/odvijač 2395

Tehnički podaci 1

- Izjavljujemo uz punu odgovornost da je ovaj proizvod opisan u "Tehnički podaci" usklađen sa sljedećim normama ili normativnim dokumentima: EN 60745 (uređaj), EN 60335 (punjač), EN 61000, EN 55014, prema odredbama smjernica 2006/42/EG, 2014/35/EU, 2014/30/EU, 2011/65/EU
- **Tehnička dokumentacija se može dobiti kod:** SKIL Europe BV (PT-SEU/ENG1), 4825 BD Breda, NL

Marijn van der Hoofden
Operations & Engineering

Olaf Dijkgraaf
Approval Manager

SKIL Europe BV, 4825 BD Breda, NL

21.10.2014

BUCI/VIBRACIJAMA

- Mjereno prema EN 60745 prag zvučnog tlaka ovog električnog alata iznosi <70 dB(A) (standardna devijacija: 3 dB) a vibracija * m/s² (postupkom na šaci-ruci; nesigurnost K = 1,5 m/s²)
 - * kod bušenja u metalu <2,5 m/s²
 - * kod uvijanja vijka <2,5 m/s²
- Razina emitiranja vibracija izmjerena je sukladno normiranom testu danom u EN 60745; ona se može koristiti za usporedbu jedne alatke s drugom, te preliminarnu procjenu izloženosti vibracijama pri uporabi alatke za navedene namjene
 - uporaba ove alatke za druge namjene ili s drugim ili slabo održavanim nastavcima, može u značajnoj mjeri **uvećati** razinu izloženosti
 - vrijeme tokom kojega je alatka isključena, ili je uključena ali se njome ne radi, može značajno **umanjiti** razinu izloženosti
- ! **zaštitite se od posljedica vibracija održavanjem alatke i njezinih nastavaka, održavanjem Vaših ruku toplima, te organiziranjem Vaših obrazaca rada**

(SRB)

Akumulatorska bušilica/uvrtač 2395

UPUTSTVO

- Alat je namenjen bušenju drveta, metala, cigle, kamena, keramike i plastike; alat sa automatskim regulisanjem obrtnog momenta i levim i desnim smerom obrtanja je takođe namenjen uvrtanju šrafova
- Ovaj alat nije namenjen za profesionalnu upotrebu
- Pažljivo pročitajte i sačuvajte ova uputstva za rukovanje 3

TEHNIČKI PODACI ①

Max. obrtni momenat tvrdji slučaj zavrtanja prema ISO 5393 : 26 Nm

ELEMENTI ALATA ②

- A Prekidač za uključivanje/isključivanje i kontrolu brzine
- B Prekidač za promenu smera rotacije
- C Brzostezući futer
- D Prsten za kontrolu obrtnog momenta
- E Pozicija zaključavanja (spojnica)
- F Prореzi za hlađenje
- G Punjač
- H Crveno svetlo punjača

SIGURNOST

TA UPUTSTVA ZA BEZBEDAN RAD

PAŽNJA! Čitajte sva upozorenja i uputstva. Propusti kod pridržavanja upozorenja i uputstava mogu imati za posledicu električni udar, požar i/ili teške povrede. **Čuvajte sva upozorenja i uputstva za budućnost.** Pojam upotrebljen u upozorenjima "električni alat" odnosi se na električne alate sa radom na mreži (sa mrežnim kablom) i na električne alate sa radom na akumulator (bez mrežnog kabla).

1) SIGURNOST NA RADNOM MESTU

- a) **Držite Vaše područje rada čisto i pospremljeno.** Nered ili neosvetljena radna područja mogu voditi nesrećama.
- b) **Ne radite sa aparatom u okolini ugroženoj od eksplozija u kojoj se nalaze zapaljive tečnosti, gasovi ili prašine.** Električni alati proizvode varnice, koje mogu zapaliti prašinu ili isparenja.
- c) **Za vreme korišćenja električnog alata držite podalje decu i druge osobe.** Kod skretanja možete izgubiti kontrolu nad aparatom.

2) ELEKTRIČNA SIGURNOST

- a) **Utikač za priključak aparata mora odgovarati utičnoj kutiji. Utikač se nesme nikako menjati. Ne upotrebljavajte adaptere utikača zajedno sa aparatima sa uzemljenom zaštitom.** Ne promenjeni utikači i odgovarajuće utičnice smanjuju rizik od električnog udara.
- b) **Izbegavajte telesni kontakt sa uzemljenim gornjim površinama, kao što su cevi, grejanja, šporeti i rashladni ormani.** Postoji povećani rizik od električnog udara, ako je Vaše telo uzemljeno.
- c) **Držite aparat podalje od kiše ili vlage.** Prodiranje vode u električni aparat povećava rizik od električnog udara.
- d) **Ne koristite kabl da bi aparat nosili, obesili ili ga izvlačili iz utičnice. Držite kabl dalje od vreline, ulja, oštih ivica ili pokretnih delova aparata.** Oštećeni ili zamršeni kablovi povećavaju rizik od električnog udara.
- e) **Ako sa nekim električnim alatom radite u prirodi, upotrebljavajte samo produžne kablove koji su dozvoljeni za spoljno područje.** Upotreba produžnog kabla pogodnog za spoljno područje smanjuje rizik od električnog udara.

- f) **Ako rad električnog alata ne može da se izbegne u vlažnoj okolini, koristite prekidač strujne zaštite pri kvaru.** Upotreba prekidača strujne zaštite pri kvaru smanjuje rizik od električnog udara.

3) SIGURNOST OSOBA

- a) **Budite pažljivi, pazite na to, šta radite i idite razumno na posao sa električnim alatom. Ne upotrebljavajte aparat, kada ste umorni ili pod uticajem droga, alkohola ili lekova.** Momenat nepažnje kod upotrebe aparata može voditi do ozbiljnih povreda.
 - b) **Nosite ličnu zaštitnu opremu i uvek zaštitne naočare.** Nošenje lične zaštitne opreme, kao maske za prašinu, sigurnosne cipele koje ne klizaju, zaštitni šlem ili zaštitu za sluh, zavisno od vrste i upotrebe električnog alata, smanjujete rizik od povreda.
 - c) **Izbegavajte nenamerno puštanje u rad. Uverite se da je električni alat isključen, pre nego što ga priključite na struju i/ili na akumulator, uzmete ga ili nosite.** Ako prilikom nošenja električnog alata držite prst na prekidaču ili aparat uključen priključujete na struju, može ovo voditi nesrećama.
 - d) **Uklonite alate za podešavanje ili ključeve za zavrtnje, pre nego što uključite aparat.** Alat ili ključ koji se nalazi u delu aparata koji se okreće, može voditi povredama.
 - e) **Ne precenjujte sebe. Pobrinite se da sigurno stojite i održavajte u svako doba ravnotežu.** Na taj način možete bolje kontrolisati aparat u neočekivanim situacijama.
 - f) **Nosite pogodno odelo. Ne nosite široko odelo ili nakit. Držite kosu, odelo i rukavice podalje od pokretnih delova.** Opušteno odelo, nakit ili duža kosa mogu biti zahvaćeni od rotirajućih delova.
 - g) **Ako se mogu montirati uređaji za usisavanje prašine i uređaji za hvatanje prašine, uverite se da li su priključeni i ispravno koriste.** Upotreba usisavanja prašine može smanjiti opasnosti od prašine.
- #### 4) BRIŽLJIVO OPHODJENJE I KORIŠĆENJE ELEKTRIČNIH ALATA
- a) **Ne preopterećujte aparat. Upotrebljavajte za Vaš posao električni alat odredjen za to.** Sa odgovarajućim električnim alatom radićete bolje i sigurnije u navedenom području rada.
 - b) **Ne upotrebljavajte električni alat, čiji je prekidač u kvaru.** Električni alat koji više ne može da se uključi ili isključi je opasan i mora da se popravi.
 - c) **Izvcite utikač iz utičnice i/ili uklonite akumulator pre nego što preduzmete podešavanja na aparatu, promenu delova pribora ili ostavite aparat.** Ova mera opreza sprečava nenamernan start aparata.
 - d) **Čuvajte nekorisćene električne alate izvan domašaja dece. Ne dopustite osobama da koriste aparat, koje ga ne poznaju ili nisu pročitali ova uputstva.** Električni alati su opasni, ako ih koriste neiskusne osobe.
 - e) **Održavajte aparat brižljivo. Kontrolišite, da li pokretni delovi aparata funkcionišu besprekorno i ne slepljuju, da li su delovi slomljeni ili tako oštećeni, da je funkcija aparata oštećena. Popravite oštećene delove pre upotrebe aparata.** Mnoge nesreće imaju svoj uzrok u loše održanim električnim alatima.

- f) **Držite alate za sečenja oštre i čiste.** Brižljivo negovani alati za sečenje sa oštrim sečivima manje slepljuju i lakše se vode.
- g) **Upotrebljavajte električne alate, pribor, alate koji se umeću itd. prema ovim uputstvima.** Obratite pažnju pritom na uputstva za rad i posao koji treba izvesti. Upotreba električnih alata za druge od prebrisanih namena može voditi opasnim situacijama.
- 5) BRIŽLJIVO OPHODJENJE I KORIŠĆENJE APARATA SA AKUMULATOROM**
- a) **Punite akumulator samo u aparatima za punjenje koje propisuje proizvođač.** Za aparat za punjenje koji je pogodan za određenu vrstu akumulatora, postoji opasnost od požara, ako se upotrebljava sa drugim akumulatorom.
- b) **Upotrebljavajte samo za to predviđene akumulator u električnim alatima.** Upotreba drugih akumulatora može voditi povredama i opasnosti od požara.
- c) **Držite ne korišćen akumulator podalje od kancelarijskih spajalica, novčića, ključeva, eksera, zavrtnja ili drugih malih metalnih predmeta koji mogu prouzrokovati premošćavanje kontakata.** Kratak spoj između kontakata akumulatora može imati za posledicu zagorevanje ili vatra.
- d) **Kod pogrešne primene može izaći tečnost iz akumulatora. Izbegavajte kontakt sa njom. Kod slučajnog kontakta isperite sa vodom. Ako tečnost dodje u dodir sa očima, potražite i lekarsku pomoć dodatno.** Tečnost akumulatora koja može izaći napolje može voditi nadražajima kože ili opekotinama.
- 6) SERVIS**
- a) **Neka Vam Vaš aparat popravlja samo kvalifikovano stručno osoblje i samo sa originalnim rezervnim delovima.** Na taj način se obezbeđuje da oстане sačuvana sigurnost aparata.

SIGURNOSNA UPUTSTVA ZA AKUMULATORSKE BUŠILICE/UVRTAČE

- Izbegavajte oštećenja od šrafova, eksera i drugih predmeta na vašem području rada; uklonite ih pre nego što započnete rad
- Uvek se uverite da je napon struje isti kao i napon naveden na pločici sa nazivom punjaču
- U slučaju električnog ili mehaničkog kvara odmah isključiti alat ili izvući punjač iz struje
- SKIL može priznati garanciju samo ukoliko je korišćen originalni pribor
- Koristite samo pribor čija je dozvoljena brzina u najmanju ruku jednaka najvećoj brzini pri praznom hodu električnog alata
- Alat/punjač namenjen je za upotrebu osobama (uključujući i decu) sa smanjenim fizičkim, senzorskim ili mentalnim sposobnostima ili sa manjkom iskustva i znanja, a ako im osoba zadužena za njihovu bezbednost nije pružila odgovarajuća pomoć i uputstvo kako koristiti alat/punjač
- Vodite računa da se deca ne igraju sa alatom/punjačem
- Obezbedite radni predmet** (radni predmet stegnut pomoću stega ili nečeg sličnog je mnogo stabilniji neko kada se drži rukom)
- Držite električni alat za izolovane hvataljke kada izvodite radove kod kojih upotrebljeni alat ili**

zavrtnaj može da susretne skrivene vodove struje ili vlastiti mrežni kabl (kontakt sa jednim vodom koji sprovodi struju može da stavi pod napon metalne delove uređaja i da utiče na električni udar)

- Koristite odgovarajuće aparate za proveru dali se u zidu koji bušimo nalaze skrivene instalacije, ili za taj posao nađite odgovarajuće preduzeće** (kontakt sa električnim vodovima može izazvati požar ili električni udar; oštećenje gasovoda može izazvati eksploziju; probijanje cevi sa vodom uzrokuje štete ili može izazvati električni udar)
- Ne obradjujte nikakav materijal koji sadrži azbest** (azbest važi kao izazivač raka)
- Pršina od materijala, kao što su boja koja sadrži olovo, neke vrste drveta, minerali i metal, može biti opasna (dodir ili udisanje prašine može prouzrokovati alergijske reakcije i/ili respiratorna oboljenja rukovaoca i lica u blizini); **nosite masku protiv prašine i radite uz uključeni uređaj za ekstrakciju prašine kada radite na mestima gde ju je moguće priključiti**
- Određene vrste prašine su klasifikovane kao kancerogene (kao što su prašina hrastovine i bukovine), posebno u sadejstvu sa aditivima za pripremu drveta; **nosite masku protiv prašine i radite uz uključeni uređaj za ekstrakciju prašine kada radite na mestima gde ju je moguće priključiti**
- Prati nacionalne propise vezane za prašinu koja se proizvodi prilikom rada na obrađivanim materijalima
- Uverite se da je prekidač B ② u srednjoj poziciji (blokada) pre nego što počnete da podešavate alat, menjate pribor ili nosite alat

PUNJENJE/BATERIJA

- Punite bateriju samo punjačem koji se isporučuje uz alat
- Nemojte dodirivati kontakte u punjaču
- Ne izlažite alat/punjač/bateriju kiši
- Odlazite alat/punjač/bateriju na mestima gde temperatura neće preći 40°C niti pasti ispod 0°C
- Nemojte puniti bateriju u vlažnom ili mokrom okruženju
- Baterije će eksplozirati ako se izlože vatri, zato nikada ne palite baterije
- Nemojte koristiti punjač ako su oštećeni; odnesite ih ovlašćeni SKIL servis da ih pregledaju
- Nemojte koristiti punjač ako su mu oštećeni kabl ili utikač; oni treba odmah da budu zamenjeni u nekom od ovlašćenih SKIL servisa
- Nemojte koristiti oštećenu bateriju; odmah je treba zameniti
- Nemojte izgubiti bateriju ili punjač
- Nemojte puniti punjačem baterije koje se ne pune
- OBJAŠNJENJE SIMBOLA NA PUNJAČU/BATERIJA**
- ③ Pročitajte uputstvo za korišćenje pre prve upotrebe
- ④ Punjač koristite samo u njegovu
- ⑤ Dvostruka izolacija (nije potrebna žica za uzemljenje)
- ⑥ Nepravilno povezani polaritet punjača može prouzrokovati opasnost (bateriju puniti samo pomoću originalnog punjača)
- ⑦ Automatsko isključivanje kada se punjač pregreje (termički osigurač pregoreva i punjač se ne može koristiti)
- ⑧ Punjač ne odlazite u kućne otpatke
- ⑨ Bateriju ne odlazite u kućne otpatke

UPUTSTVO ZA KORIŠĆENJE

- Punjenje baterije ⑩
 - baterija kod novih alata nije potpuno napunjena
 - uključite punjač u izvor napajanja kao što je prikazano na slici
 - stavite bateriju u punjač
 - upaliće se crveno svetlo H, pokazujući da se baterija puni
 - crveno svetlo H biće uključen sve dok je baterija povezan na punjač, a punjač na zidnu utičnicu
- ! uklonite bateriju iz punjača posle punjenja jer time podužavate vek trajanja baterije**

VAŽNO:

- posle 3 sata je proces punjenja baterije završen i baterija može da se koristi
 - punjač i bateriju se mogu zagrejati tokom punjenja; to je normalno i ne znači nikakav kvar
 - uverite se da je spoljna površina baterije čista i suva pre nego što je stavite u punjač
 - nemojte puniti bateriju iznad 45°C niti ispod 0°C; to bi ozbiljno oštetilo bateriju i punjač
 - nemojte vaditi bateriju iz alata dok alat radi
- ! bateriju koji je nov ili duže van upotrebe dajte svoju punu snagu tek posle približno 5 ciklusa punjenja/praznjenja**
- nemojte ponovo puniti betriju posle samo par minuta rada jer će to samniti njenu efikasnost
 - ako nastupi duži period mirovanja alata, najbolje je isključiti punjač iz struje
- Prekidač za uključivanje/isključivanje ⑪
 - Zakočenje prekidača za lagani start ⑫
 - Izmjena smera rotacije ⑬
 - ako leva/desna pozicija ne ulegnu kako treba, prekidač A ② neće moci biti strtovan
- ! smer rotacije menjati samo kada alat potpuno miruje**
- Izmjena bitseva ⑭
 - stavite bit što je moguće dublje u futer bušilice
- ! ne koristite bitseve sa oštećenim prihvatom**
- Kontrola obrtnog momenta (VariTorque) ⑮
 - izlazni obrtni momenat se povećava prilikom obrtanja prstena spojnice D od 1 do 5; pozicija E će zaključati spojnicu da bi se omogućilo bušenje ili rad na otpornijim površinama
 - ako uvrćete šraf, prvo probajte sa VariTorque pozicijom 1 i povećavajte dok ne dostignete željenu dubinu
 - Držanje i upravljanje alata ⑯
 - ! dok radite, uvek držite alat za mesto(a) koje(a) su označena sivom bojom**
 - prerezi za hlađenje F ② moraju da budu otvoreni
 - ne pritiskati alat previše, pustite da alat sam radi

SAVETI ZA PRIMENU

- Koristiti odgovarajuće bitseve ⑰
 - ! koristiti samo oštre bitseve**
- Pri bušenju metala
 - prvo izbušiti malu rupu ako Vam je potrebna veća rupa
 - bitseve povremeno namazati uljem
- Pri uvrtanju šrafova na krajevima drveta prvo treba izbušiti malu rupu da bi se izbeglo listanje drveta
- Za optimalno korišćenje alata potreban je stalan pritisak na šraf, posebno pri odstranjivanju istih

- Ako uvrćete šraf u tvrdo drvo potrebno je prethodno izbušite rupu
- Bušenje drveta bez listanja ⑱
- Bušenje zidova bez prašine ⑲
- Bušenje plafona bez prašine ⑳
- Bušenje pločica bez proklizavanja ㉑
- Za više saveta pogledajte www.skil.com

ODRŽAVANJE / SERVIS

- Ovaj alat nije namenjen za profesionalnu upotrebu
 - Održavajte alat i punjač čistim
 - čistite kontakte u punjaču alkoholom ili specijalnim sredstvom za čišćenje
- ! pre nego što počnete sa čišćenjem izvucite punjač iz struje**
- Ako bi alat/punjač i pored brižljivog postupka izrade i kontrole nekada otkazao, popravku mora vršiti neki autorizovani servis za SKIL-električne alate
 - pošaljite **nerastavljeni** alat i punjač zajedno sa potvrdom o kupovini vašem nabavljaču ili najbližem SKIL servisu (adrese i oznake rezervnih delova možete naći na www.skil.com)
 - u slučaju kvara na punjaču pošaljite i **punjač i bateriju** prodavcu ili SKIL servisu

ZAŠTITA OKOLINE

- **Električne alate, pribora i ambalaže ne odlažite u kućne otpatke** (samo za EU-države)
 - prema Evropskoj direktivi 2012/19/EG o staroj električnoj i elektronskoj opremi i njenoj upotrebi u skladu sa nacionalnim pravom, električni alati koji su istrošeni moraju biti sakupljeni odvojeno i dostavljeni pogonu za reciklažu
 - simbol ⑧ će vas podsetiti na to
 - Bateriju treba čuvati alje od namirnica i ne treba reciklirati kao normalan otpad (simbol ⑨ će vas podsetiti na to)
- ! da bi se izbegli kratki spojevi je baterija zaštićena debijom trakom**

DEKLARACIJA O USKLAĐENOSTI CE

Akumulatorska bušilica/uvrtač 2395

Tehnički podaci ①

- Izjavljujemo na vlastitu odgovornost da je pod "Tehnički podaci" opisani proizvod usaglašen sa sledećim standardima ili normativnim aktima: EN 60745 (alatka), EN 60335 (punjač), EN 61000, EN 55014 prema odredbama smernica 2006/42/EG, 2014/35/EU, 2014/30/EU, 2011/65/EU
- **Tehnička dokumentacija kod:** SKIL Europe BV (PT-SEU/ENG1), 4825 BD Breda, NL

Marijn van der Hoofden
Operations & Engineering

Olaf Dijkgraaf
Approval Manager

SKIL Europe BV, 4825 BD Breda, NL

21.10.2014

BUKA/VIBRACIJE

- Mereno u skladu sa EN 60745 nivo pritiska zvuka ovog alata iznosi <70 dB(A) (normalno odstupanje: 3 dB) a vibracija * m/s² (mereno metodom na šaci-ruci; nesigurnost K = 1,5 m/s²)
 - * pri bušenju metala <2,5 m/s²
 - * pri uvrtanju šrafova <2,5 m/s²
 - Nivo emisije vibracija izmeren je u skladu sa standardizovanim testom datim u EN 60745; on se može koristiti za upoređenje jedne alatke sa drugom, kao i za preliminarnu procenu izloženosti vibracijama pri korišćenju ove alatke za pomenute namene
 - korišćenje alatke u drugačije svrhe ili sa drugačijim ili slabo održavanim nastavcima može značajno **povećati** nivo izloženosti
 - vreme kada je alatka isključena ili kada je uključena, ali se njome ne radi, može značajno **smanjiti** nivo izloženosti
- ! zaštitite se od posledica vibracija održavanjem alatke i njenih nastavaka, održavajući Vaše ruke toplim i organizovanjem Vaših radnih obrazaca**

SLO

Akumulatorski vrtalnik/vijačnik 2395

UVOD

- To orodje je namenjeno za vrtnje u les, kovino, opeko, kamnine, keramiko in plastiko; orodje z elektronsko regulaciju števila vrtljajev in levo/desno smerjo vrtnja je primerno tudi za privijanje in vrezovanje navojev
- Orodje ni namenjeno profesionalni uporabi
- Preberite in shranite navodila za uporabo ③

TEHNIČNI PODATKI ①

Maks. zatezni moment pri trdem vijačenju po ISO 5393 : 26 Nm

DELI ORODJA ②

- A Vklplo/izkloplo stikalo in za nadzor hitrosti
- B Stikalo za preklop smeri vrtnja
- C Hitrovpenjalna glava
- D Obroč za nastavitve momenta
- E Zaklenjeni položaj (sklopka)
- F Ventilacijske reže
- G Polnilnik
- H Rdeča lučka polnilca

VARNOST

SPLOŠNA VARNOSTNA NAVODILA

⚠ OPOZORILO! Preberite vsa opozorila in napotila. Napake zaradi neupoštevanja spodaj navedenih opozoril in napotil lahko povzročijo električni udar, požar in/ali težke telesne poškodbe. **Vsa opozorila in napotila shranite, ker jih boste v prihodnje še potrebovali.** Pojem "električno orodje", ki se pojavlja v nadaljnjem besedilu, se nanaša na električna orodja z električnim pogonom (z

električnim kablom) in na akumulatorska električna orodja (brez električnega kabla).

1) VARNOST NA DELOVNEM MESTU

- a) **Poskrbite, da bo Vaše delovno mesto vedno čisto in urejeno.** Nered ali neosvetljena delovna področja lahko povzročijo nezgode.
- b) **Prosimo, da orodja ne uporabljate v okolju, kjer je nevarnost za eksplozije in v katerem se nahajajo gorljive tekočine, plini in prah.** Električna orodja povzročajo iskrenje, zato se gorljivi prah ali pare lahko vnamejo.
- c) **Ne dovolite otrokom in drugim osebam, da bi se medtem ko delate, približali električnemu orodju.** Druge osebe lahko odvrnejo Vašo pozornost drugam in izgubili boste nadzor nad orodje.

2) ELEKTRIČNA VARNOST

- a) **Vtiči mora ustrezati električni vtičnici in ga pod nobenim pogojem ne smete spreminjati. Uporaba adapterskih vtičev v kombinaciji z ozemljena orodja ni dovoljena.** Originalni oziroma nespremenjeni vtiči in ustrezne vtičnice zmanjšujejo tveganje električnega udara.
- b) **Izogibajte se telesnemu stiku z ozemljenimi površinami, na primer s cevimi, grelci, štedilniki in hladilniki.** Če je ozemljeno tudi vaše telo, obstaja povečano tveganje električnega udara.
- c) **Zavarujte orodje pred dežjem ali vlago.** Vdor vode v električno orodje povečuje tveganje električnega udara.
- d) **Električnega kabla ne uporabljajte za prenašanje ali obežanje orodja in ne vlečite vtiči iz vtičnice tako, da vlečete za kabel.** Zavarujte kabel pred vročino, oljem, ostrimi robovi in premikajočimi se deli orodja. Poškodovani ali prepleteni kabli povečujejo tveganje električnega udara.
- e) **Če z električnim orodjem delate na prostem, uporabljajte izključno kabelski podaljšek, ki je atestiran za delo na prostem.** Uporaba kabelskega podaljška, primerne za delo na prostem, zmanjšuje tveganje električnega udara.
- f) **Če je uporaba električnega orodja v vlažnem okolju neizogibna, uporabljajte prekinjevalec električnega tokokroga.** Prekinjevalca električnega tokokroga zmanjšuje tveganje električnega udara.

3) OSEBNA VARNOST

- a) **Bodite zbrani in pazite, kaj delate. Dela z električnim orodjem se lotite razumno. Nikoli ne uporabljajte orodja, če ste utrujeni in če ste pod vplivom mamil, alkohola ali zdravil.** En sam trenutek nepazljivosti pri uporabi orodja ima lahko za posledico resne telesne poškodbe.
- b) **Uporabljajte osebna zaščitna sredstva in vedno nosite zaščitna očala.** Uporaba osebnih zaščitnih sredstev, na primer maske proti prahu, nedersečih zaščitnih čevljev, zaščitne čelade in glušnikov, odvisno od vrste in uporabe električnega orodja, zmanjšuje tveganje telesnih poškodb.
- c) **Izogibajte se nenamernemu zagonu. Pred priključitvijo električnega orodja na električno omrežje in/ali na akumulator in pred dviganjem ali nošenjem se prepričajte, če je električno orodje izklopljeno.** Prenašanje naprave s prstom na stikalu ali

- priključitev vklopljenega električnega orodja na električno omrežje je lahko vzrok za nezgodo.
- d) **Pred vklopom orodja odstranite z nje nastavitvena orodja ali vijačni ključ.** Orodje ali ključ, ki se nahajata na vrtečem se delu električnega orodja, lahko povzročita nezgodo.
 - e) **Ne precenjujte se in poskrbite za varno stojišče in stalno ravnotežje.** Tako boste lahko v nepričakovani situaciji bolje obvladali orodje.
 - f) **Nosite primerno obleko, ki naj ne bo preohlapna. Ne nosite nakita. Lasje, oblačilo in rokavice naj se ne približujejo premikajočim se delom orodja.** Premikajoči se deli orodja lahko zgrabijo ohlapno obleko, nakit, ali dolge lase.
 - g) **Če je možno na orodje namestiti priprave za odsesavanje in prestrezanje prahu, prepričajte se, ali so le-te priključene in, če jih pravilno uporabljate.** Uporaba priprave za odsesavanje prahu zmanjšuje zdravstveno ogroženost zaradi prahu.
- 4) RAVNANJE IN NEGA ROČNEGA ORODJA**
- a) **Ne preobremenjujte orodja. Za določeno delo uporabljajte električno orodje, ki je predvideno za opravljanje tega dela.** Z ustreznim električnim orodjem boste delo opravili bolje in varneje, ker je bilo v ta namen tudi konstruirano.
 - b) **Električno orodje, ki ima pokvarjeno stikalo, ne uporabljajte.** Električno orodje, ki ga ni možno vklopiti ali izklopiti, je nevarno in ga je potrebno popraviti.
 - c) **Pred nastavljanjem naprave, zamenjavo delov pribora ali odlaganjem naprave izvlecite vtičak iz električne vtičnice in/ali odstranite akumulator.** Ta previdnostni ukrep onemogoča nepredviden zagon orodja.
 - d) **Kadar orodja ne uporabljate ga shranjujte izven dosega otrok. Osebam, ki orodja ne poznajo ali niso prebrale teh navodil, orodja ne dovolite uporabljati.** Električna orodja so nevarna, če jih uporabljajo neizkušene osebe.
 - e) **Skrbno negujte orodje. Preverite, če premikajoči se deli orodja delujejo brezhibno in če se ne zatikajo, oziroma, če kakšen del orodja ni zlomljen ali poškodovan do te mere, da bi oviral njegovo delovanje. Pred nadaljnjo uporabo je potrebno poškodovani del popraviti.** Vzrok za številne nezgode so ravno slabo vzdrževana električna orodja.
 - f) **Rezalna orodja naj bodo ostrá in čista.** Skrbno negovana rezalna orodja z ostrimi rezili se manj zatikajo in so boljje vodljiva.
 - g) **Električna orodja, pribor, nastavke in podobno uporabljajte v skladu s temi navodili. Pri tem upoštevajte delovne pogoje in vrsto dela, ki ga nameravate opraviti.** Zaradi uporabe električnega orodja v druge, nepredvidene namene, lahko nastanejo nevarne situacije.
- 5) SKRBNÓ RAVNANJE Z AKUMULATORSKIMI NAPRAVAMI IN NJIHOVA UPORABA**
- a) **Prosimo, da akumulatorske baterije polnite samo v polnilnikih, ki jih priporoča proizvajalec.** Na polnilniku, predvidenem za polnjenje določene vrste akumulatorskih baterij, lahko pride do požara, če ga uporabljate za polnjenje drugih vrst akumulatorskih baterij.

- b) **Za pogon akumulatorskih orodij uporabljajte samo zanje predvidene akumulatorske baterije.** Uporaba drugačnih akumulatorskih baterij lahko povzroči telesne poškodbe ali požar.
 - c) **Kadar akumulatorska baterija ni v orodju, pazite, da ne pride v stik s kovinskimi predmeti kot so pisarniške sponke, kovanci, ključji, žebelji, vijaki ali ostalimi kovinskimi predmeti, ki bi lahko povzročili stik med obema poloma akumulatorja.** Kratek stik med kontakti akumulatorske baterije lahko povzroči opekline ali požar.
 - d) **Pri napačni uporabi lahko iz akumulatorske baterije priteče tekočina. Izogibajte se stiku z njo. V primeru naključnega stika prizadeto mesto spirajte z vodo. Če pride akumulatorska tekočina v oči, po spiranju poiščite tudi zdravniško pomoč.** Iztekanje tekočine iz akumulatorja lahko povzroči draženje kože ali opekline.
- 6) SERVIS**
- a) **Popravilo orodja lahko opravi samo usposobljena strokovna oseba in to izključno z originalnimi nadomestnimi deli.** Le tako bo ohranjena nadaljnja varnost orodja.

VARNOSTNA NAVODILA ZA AKUMULATORSKE VRTALNIKE/VIAČNIČNIKE

- Izogibajte se poškodb zaradi vijakov, žebeljev ali drugih elementov v obdelovancu; odstranite jih pred začetkom dela
- Vedno preverite, če je napetost omrežja enaka napetosti, ki je navedena na tablici podatkov polnilca
- V primeru električnih ali mehanskih motenj takoj izključite orodje ali izvlecite vtičak polnilca iz vtičnice
- SKIL zagotavlja brezhibno delovanje orodja le z uporabo originalnega dodatnega pribora
- Uporabljajte lahko dodatni pribor, katerega dovoljena hitrost je najmanj enaka največji hitrosti orodja
- Orodje/polnilec ni namenjeno uporabi s strani osebe (vključujoč tudi otroke) z zmanjšanimi fizičnimi, senzoričnimi ali mentalnimi sposobnostmi, oz. s premalo izkušenj ali znanja, edino, če slednji niso bili primerno usposobljeni iz inštruirani za uporabo tovrstnega orodja/polnilca, s strani osebe, ki je odgovorna za njihovo varnost
- Zagotovite, da se otroci ne bodo igrali z orodjem/polnilcem
- **Zavarujte obdelovanec** (obdelovanec stisnjen v prižemi ali prižežu je bolj varen kot v roki)
- **Električno orodje smete držati le na izoliranem ročaju, če delate na območju, kjer lahko vstavljeno orodje ali vijak pride v stik s skritimi omrežnimi napeljavami ali lastni omrežni kabel** (stik z napeljavo, ki je pod napetostjo povzroči, da so posledično tudi kovinski deli orodje pod napetostjo in to vodi do električnega udara)
- **Za iskanje skritih električnih, plinskih in vodovodnih cevi uporabite primerne iskalne naprave (detektorje) ali se posvetujte z lokalnimi podjetji** (stik z električnimi vodniki lahko povzroči požar ali električni udar; poškodbe plinovoda lahko povzročijo eksplozijo, vdor v vodovodno omrežje pa materialno škodo ali električni udar)
- **Ne obdelujte materiala, ki vsebuje azbest** (azbest povzroča rakasta obolenja)

- Prah materialov, kot so barve, ki vsebujejo svinec, nekatere vrste lesa, mineralov ali kovin so lahko škodljivi (ob stiku ali vdihavanju lahko prah pri delavcu ali pri drugih prisotnih povzroči alergijsko reakcijo in/ali boleznih dihal); **nosite masko za prah in pri delu uporabljajte napravo za odsesavanje prahu, kjer je le-to možno priključiti**
- Nekatero vrsto prahu so klasificirane kot kancerogene (kot npr. prah hrasta in bukve) še posebno ob sočasni uporabi z dodatki za obdelavo lesa; **nosite masko za prah in pri delu uporabljajte napravo za odsesavanje prahu, kjer je le-to možno priključiti**
- Upoštevajte nacionalne zahteve glede prahu za materiale katere želite obdelovati
- Pred nastavitvijo ali menjavo pribora in pri prenašanju ali shranjevanju orodja zagotovite, da je stikalo B ② v vmesni poziciji (zaklenjeno)

POLNJENJE/AKUMULATOR

- Akumulator polnite samo s polnilcem, ki je dobavljen skupaj z orodjem
- Ne dotikajte se kontaktov v polnilcu
- Ne izpostavljajte orodja, polnilca in akumulatorja dežju
- Shranjujte orodje, polnilec in akumulator v prostoru, kjer temperatura ne bo preseгла 40°C in ne bo padla pod 0°C
- Ne polnite akumulatorja v vlažnih ali mokrih prostorih
- Baterije lahko pri izpostavljanju odprtemu ognju eksplodirajo, zato jih nikoli ne sežigajte
- Ne uporabljajte poškodovanega polnilca akumulatorjev; v pooblaščenih Skilovi servisni delavnici preverite, če ustreza varnostnim zahtevam
- Kadar sta priključni kabel ali vtičak polnilca poškodovana, ga ne smete uporabljati, temveč ju obvezno zamenjajte v pooblaščenih Skilovi servisni delavnici
- Ne uporabljajte poškodovanega akumulatorja; takoj ga je potrebno zamenjati
- Ne razstavljajte polnilca ali akumulatorja
- S polnilcem ne poskušajte polniti navadnih (suhih) baterij

POJASNILO OZNAK NA POLNILNIKU/BATERIJI

- ③ Pred uporabo preberite navodila za uporabo
- ④ Polnilnik uporabljajte samo v zaprtem prostoru
- ⑤ Dvojna izolacija (ozemljitveni kabel ni potreben)
- ⑥ Napačna polariteta na priključku polnilnika lahko povzroči nevarnost (baterijo polnite vedno le s priloženim polnilnikom)
- ⑦ Avtomatski izklop ob pregrevanju polnilnika (toplotna varovalka pregori in polnilnik neha delovati)
- ⑧ Polnilca ne odstranjujte s hišnimi odpadki
- ⑨ Akumulatorja ne odstranjujte s hišnimi odpadki

UPORABA

- Polnjenje akumulatorja ⑩
 - baterija novega orodja ni polno napolnjena
 - vključite polnilec v vtičnico, kot kaže slika
 - vstavite akumulator v polnilec
 - zasveti rdeča lučka H in označuje polnjenje akumulatorja
 - rdeča lučka H bo ostala prižgana, dokler bo akumulator priključena na polnilec in polnilec v omrežje
- ! **po končanem polnjenju je potrebno vzeti akumulator iz polnilca, s tem podaljšamo življenjsko dobo akumulatorja**

POMEMBNO:

- po 3 urah je polnjenje akumulatorja končano in baterija se lahko uporablja
- pri polnjenju se tako polnilec kot tudi akumulator lahko segrejeta; to je sicer normalen pojav in ni vzrok nepravilnega delovanja
- zagotovite, da je zunanja površina akumulatorja čista in suha preden ga vstavite v polnilec
- ne polnite pri temperaturi pod 0°C in preko 45°C; to lahko povzroči resne poškodbe akumulatorja in polnilca
- ne odstranjujte akumulatorja iz orodja med obratovanjem orodja
- ! **nov akumulator doseže svojo polno zmogljivost šele po približno 5 cikih polnjenja/praznjenja; isto velja za akumulatorje, ki dlje časa niso bili uporabljeni**
- akumulatorja ne polnite po vsaki krajši uporabi; to lahko povzroči hitrejšo iztrošenost akumulatorja
- če predvidevate, da orodja ne boste uporabljali dlje časa, izključite vtičak polnilca iz vtičnice
- Stikalo za vklop/izklop stroja ⑪
- Nastavitev števila vrtljajev za nežnejši start vrtnika ⑫
- Menjava smeri vrtenja ⑬
 - v primeru, da preklonik smeri vrtenja ni v pravilnem položaju ni možno vklopiti stikala A ②
- ! **preklop smeri vrtenja izvesti le pri popolnoma mirujočem orodju**
- Menjava nastavkov ⑭
 - steblo nastavek potisnite kot je le mogoče globoko v vrtno glavo vrtnika
- ! **ne uporabljajte nastavke s poškodovanim stebлом**
- Nastavitev momenta (VariTorque) ⑮
 - vrtilni moment bo naraščal z vrtenjem nastavitvenega obroča sklopke D od 1 do 5; položaj E izključi sklopko in dopušča vrtnje in težja vijačenja
 - pri vijačenju vijakov najprej nastavimo sklopko na položaj 1 in nato povečujemo dokler ne dosežemo zelene globine
- Držanje in vodenje orodja ⑯
 - ! **med delom vedno držite orodje za sivo obarvano mesto oprijema**
 - ventilacijske reže F ② morajo biti nepokrite
 - ne pritiskajte na orodje premočno, pustite da orodje sam opravi delo

UPORABNI NASVETI

- Uporabljajte ustrezne nastavke ⑰
 - ! **vedno uporabljajte ostre nastavke**
- Pri vrtnanju v kovine
 - najprej izvrtajte manjšo luknjo, šele nato večjo
 - sveder občasno naoljite
- Pri vijačenju vijaka v les v bližini robu je potrebno predvrtati luknjo, s čimer boste preprečili pokanje lesa
- Za optimalno delo je potreben enakomeren pritisk na orodje, posebno pri odvijanju vijaka
- Pri privijanju vijaka v trd les priporočamo, da najprej izvrtate luknjo
- Vrtnje v les brez odlomljenih koščkov ⑱
- Vrtnje v stene z zaščito proti prahu ⑲
- Vrtnje v strop z zaščito proti prahu ⑳

- Vrtanje v ploščice brez spodsavanja ②
- Za več nasvetov glejte pod www.skil.com

VZDRŽEVANJE/SERVISIRANJE

- Orodje ni namenjeno profesionalni uporabi
- Orodje in polnilec morata biti čista
 - očistite kontakte polnilca z alkoholom ali s čistilom za kontakte
- ! **pred čiščenjem potegnite električni vtič iz vtičnice**
- Če bi kljub skrbnim postopkoma izdelave in preizkušanja prišlo do izpada delovanja orodja/polnilec, naj popravilo opravi servisna delavnica, pooblaščenca za popravila SKILevih električnih orodij
 - pošljite **nerazstavljeno** orodje ali polnilec skupaj s potrdilom o nakupu pri vašemu prodajalcu v najbližjo SKIL servisno delavnico (naslovi, kot tudi spisek rezervnih delov se nahaja na www.skil.com)
 - ob okvarjenem polnilniku **polnilnik in baterijo** pošljite pooblaščenemu prodajalcu ali servisu podjetja SKIL

OKOLJE

- **Električnega orodja, pribora in embalaže ne odstranjujte s hišnimi odpadki** (samo za države EU)
 - v skladu z Evropsko direktivo 2012/19/EG o odpadnih električni in elektronski opremi in z njenim izvajanjem v nacionalni zakonodaji je treba električna orodja ob koncu njihove življenjske dobe ločeno zbirati in jih predati v postopek okolju prijaznega recikliranja
 - ko je potrebno odstranjevanje, naj vas o načinu spomni simbol ⑧
- Akumulatorja ni dovoljeno odvreči v običajne gospodinske odpadke, temveč le na zato določena mesta (na to naj vas spomni simbol ⑨)
 - ! **preden akumulator zavrzete, prilepite kontakte z debelejším izolirnim trakom, da preprečite kratak stik**

IZJAVA O SKLADNOSTI CE

Akumulatorski vrtalnik/vijačnik 2395

Tehnični podatki ①

- Izjavljamo pod izključno odgovornostjo, da proizvod pod "Tehnični podatki" ustreza naslednjim standardom oz. standardiziranim dokumentom: EN 60745 (orodje), EN 60335 (polnilec), EN 61000, EN 55014 v skladu z določili direktiv 2006/42/ES, 2014/35/EU, 2014/30/EU, 2011/65/EU
- **Tehnična dokumentacija se nahaja pri:** SKIL Europe BV (PT-SEU/ENG1), 4825 BD Breda, NL

Marijn van der Hoofden
Operations & Engineering

Olaf Dijkgraaf
Approval Manager

SKIL Europe BV, 4825 BD Breda, NL

21.10.2014

HRUP/VIBRACIJA

- Izmerjeno v skladu s predpisom EN 60745 je raven zvočnega pritiska za to orodje <70 dB(A) (standarden odmik: 3 dB) in vibracija * m/s² (metoda dlani-roka; netočnost K = 1,5 m/s²)
 - * pri vrtanju v kovino <2,5 m/s²
 - * pri privijanju vijaka <2,5 m/s²
- Raven oddajanja vibracij je bila izmerjena v skladu s standardiziranimi testi, navedenimi v EN 60745; uporabiti jo je mogoče za primerjavo različnih orodij med seboj in za predhodno primerjavo izpostavljenosti vibracijam pri uporabi orodja za namene, ki so omenjeni
 - uporaba orodja za drugačne namene ali uporaba skupaj z drugimi, slabo vzdrževanimi nastavki lahko znatno **poveča** raven izpostavljenosti
 - čas, ko je orodje izklopljeno ali ko teče, vendar z njim ne delamo, lahko znatno **zmanjša** raven izpostavljenosti
- ! **pred posledicami vibracij se zaščitite z vzdrževanjem orodja in pripadajočih nastavkov, ter tako, da so vaše roke tople, vaši delovni vzorci pa organizirani**

(EST)

Akutrell/-krivikeeraja

2395

SISSEJUHATUS

- Tööriist on ettenähtud puidu, metalli, tellise, kivi, keraamiliiste ja plastmaterjalide puurimiseks; elektrooniliselt reguleeritavad ning päri- ja vastupäeva pöörlemise funktsiooniga seadmed sobivad ka kruvide keeramiseks ja keermete lõikamiseks
- Tööriist pole mõeldud professionaalseks kasutamiseks
- Palun lugege käesolevat kasutusjuhend hoolikalt läbi ja hoidke alles ③

TEHNILISED ANDMED ①

Max pöördemoment tugeval kruvikeeramisrežiimil ISO 5393 kohaselt : 26 Nm

SEADME OSAD ②

- A Lüliti tööriista sisse-/väljalülitamiseks ja kiiruse kontrollimiseks
- B Lüliti pöörlemis-suuna muutmiseks
- C Kiirkinnituspadrin
- D Pöördemomendi regulaator
- E Lukustusasend (sidur)
- F Öhutusavad
- G Akulaadaja
- H Punane laadija tuli

OHUTUS

ÜLDISED OHUTUSJUHISED

⚠ TÄHELEPANU! Kõik ohutusnõuded ja juhised tuleb läbi lugeda. Ohutusnõuete ja juhiste eiramise tagajärjeks võib olla elektrilöökk, tulekahju ja/või rasked vigastused.

Hoidke kõik ohutusnõuded ja juhised edasiseks kasutamiseks hoolikalt alles. Allpool kasutatud mõiste "elektriline tööriist" käib võrgutoitega (toitejuhtmega) elektriliste tööriistade ja akutoitega (ilma toitejuhtmata) elektriliste tööriistade kohta.

1) OHUTUSNÕUDED TÕÕPIIRKONNAS

- a) **Hoidke töökoht puhas ja korras.** Segadus või valgustamata tööpiirkonnad võivad põhjustada õnnetusi.
- b) **Ärge kasutage seadet plahvatusohtlikus keskkonnas, kus leidub tuleohtlikke vedelikke, gaase või tolmu.** Elektrilistest tööriistadest lööb sädemed, mis võivad tolmu või auru süüdata.
- c) **Kui kasutate elektrilist tööriista, hoidke lapsed ja teised isikud töökohast eemal.** Kui Teie tähelepanu kõrvale juhitakse, võib seade Teie kontrolli alt väljuda.

2) ELEKTROOHUTUS

- a) **Seadme pistik peab pistikupesasse sobima.** Pistiku kallal ei tohi teha mingeid muudatusi. Ärge kasutage kaitsemaandusega seadmete puhul adapterpistikuid. Muutmata pistikud ja sobivad pistikupesad vähendavad elektrilöögi saamise riski.
- b) **Vältige kehakontakti maandatud pindadega, nagu torud, radiaatorid, pliidid ja külmikud.** Kui Teie keha on maandatud, on elektrilöögi risk suurem.
- c) **Hoidke seadet vihma ja niiskuse eest.** Kui elektriseadmesse on sattunud vett, on elektrilöögi saamise risk suurem.
- d) **Ärge kasutage toitejuhet selleks mitte ettenähtud otstarbel seadme kandmiseks, ülesriputamiseks ega pistiku pistikupesast väljatõmbamiseks.** Hoidke toitejuhet kuumuse, õli, teravate servade ja seadme liikuvate osade eest. Kahjustatud või keerduläinud toitejuhtmed suurendavad elektrilöögi saamise riski.
- e) **Kui töötate elektrilise tööriistaga vabas õhus, kasutage ainult selliseid pikendusjuhtmeid, mida on lubatud kasutada ka välistingimustes.** Välistingimustes kasutamiseks sobiva pikendusjuhtme kasutamine vähendab elektrilöögi saamise riski.
- f) **Kui elektrilise tööriista kasutamine niiskes keskkonnas on vältimatu, kasutage maandusega lekkevoolukaitset.** Maandusega lekkevoolukaitsme kasutamine vähendab elektrilöögi ohtu.

3) INIMESTE TURVALISUS

- a) **Olge tähelepanelik, jälgige, mida Te teete, ning toimige elektrilise tööriistaga töötades mõistlikult.** Ärge kasutage seadet, kui olete väsinud või uimastite, alkoholi või ravimite mõju all. Hetkeline tähelepanematus seadme kasutamisel võib põhjustada tõsiseid vigastusi.
- b) **Kandke isikukaitsevahendeid ja alati kaitseprille.** Isikukaitsevahendid, nagu tolumask, libisemiskindlad turvajalatsid, kaitsekiiver või kuulmiskaitsevahendid, kandmine – sõltuvalt elektrilise tööriista tüübist ja kasutusala – vähendab vigastuste riski.
- c) **Vältige seadme tahtmatut käivitamist.** Enne pistiku ühendamist pistikupesasse, aku ühendamist seadme külge, seadme ülestõstmist ja kandmist veenduge, et elektriline tööriist on välja lülitatud. Kui hoiate elektrilise tööriista kandmisel sõrme lülitil või ühendate vooluvõrku sisselülitatud seadme, võivad tagajärjeks olla õnnetused.

- d) **Enne seadme sisselülitamist eemaldage selle küljest reguleerimis- ja mutrivõtmed.** Seadme pöörleva osa küljes olev reguleerimis- või mutrivõti võib põhjustada vigastusi.
 - e) **Ärge hinnake end üle. Võtke stabiilne tööasend ja hoidke kogu aeg tasakaalu.** Nii saate seadet ootamatutes olukordades paremini kontrollida.
 - f) **Kandke sobivat rõivastust. Ärge kandke laiu riideid ega ehteid.** Hoidke juuksed, rõivad ja kindad seadme liikuvatest osadest eemal. Lotendavad riided, ehted või pikad juuksed võivad sattuda seadme liikuvate osade vahele.
 - g) **Kui on võimalik paigaldada tolmuemaldus- ja tolmukogumiseadiseid/seadmeid, veenduge, et need oleksid seadmega ühendatud ja ei neid kasutataks õigesti.** Tolmuemaldusseadise kasutamine vähendab tolmuist põhjustatud ohte.
- ### 4) ELEKTRILISTE TÕÕRIISTADE HOOLIKAS KÄSITSEMINE JA KASUTAMINE
- a) **Ärge koormake seadet üle.** Kasutage töö tegemiseks selleks ettenähtud elektrilist tööriista. Sobiva elektrilise tööriistaga töötate paremini ja turvalisemalt ettenähtud võimsusvahemikus.
 - b) **Ärge kasutage elektrilist tööriista, mille lülitil on rikkis.** Elektriline tööriist, mida ei ole enam võimalik sisse ja välja lülitada, on ohtlik ning seda tuleb remontida.
 - c) **Tõmmake pistik pistikupesast välja ja/või eemaldage seadme aku enne seadme reguleerimist, tarvikute vahetamist ja seadme ärapanekut.** See ettevaatusabinõu väldib seadme tahtmatut käivitamist.
 - d) **Kasutusvälisel ajal hoidke elektrilisi tööriistu lastele kättesaamatu.** Ärge laske seadet kasutada isikutel, kes seda ei tunne või pole siintoodud juhiseid lugenud. Kogenematute kasutajate käes kujutavad elektrilised tööriistad ohtu.
 - e) **Hoolitsege seadme eest.** Kontrollige, kas seadme liikuvad osad funktsioneerivad korralikult ja ei kiildu kinni, ning ega mõned osad ei ole katki või sel määral kahjustatud, et võiksid mõjutada seadme töökindlust. Laske kahjustatud osad enne seadme kasutamist parandada. Paljude õnnetuste põhjuseks on halvasti hooldatud elektrilised tööriistad.
 - f) **Hoidke lõiketarvikud teravad ja puhtad.** Hoolikalt hoitud, teravate lõikeservadega lõiketarvikud kiilduvad harvemini kinni ja neid on lihtsam juhtida.
 - g) **Kasutage elektrilist tööriista, lisavarustust, tarvikuid jne vastavalt siintoodud juhistele.** Arvestage seejuures töötingimuste ja teostatava töö iseloomuga. Elektriliste tööriistade kasutamine mitte ettenähtud otstarbel võib põhjustada ohtlikke olukordi.
- ### 5) AKUTOÕRIISTADE HOOLIKAS KÄSITSEMINE JA KASUTAMINE
- a) **Laadige akusid ainult tootja poolt soovitatud akulaadijatega.** Akulaadija, mis sobib teatud tüüpi akudele, muutub tuleohtlikuks, kui seda kasutatakse teiste akudega.
 - b) **Kasutage elektrilistes tööriistades ainult selleks ettenähtud akusid.** Teiste akude kasutamine võib põhjustada vigastusi ja tulekahjuohtu.
 - c) **Hoidke kasutusel mitteolevad akud eemal kirjajklambritest, müntidest, võtmetest, naeltest,**

kruidest või teistest väikestest metallesemetest, mis võivad kontaktid omavahel ühendada.

Akukontaktide vahel tekkinga lühise tagajärjeks võivad olla põletused või tulekahju.

- d) **Väärkasutuse korral võib akuedelik välja voolata. Vältige sellega kokkupuudet. Juhusliku kokkupuute korral loputage kahjustatud kohta veega. Kui vedelik satub silma, pöörduge lisaks arsti poole.** Väljavoolav akuedelik võib põhjustada nahaärritusi või põletusi.

6) TEENINDUS

- a) **Laske seadet parandada ainult kvalifitseeritud spetsialistidel ja ainult originaalvaruosadega.** Nii tagate seadme püsimise turvalisena.

OHUTUSJUHISED AKUTRELL-KRUVIKEERAJA KOHTA

- Vältige töödeldavas esemes olevatest kruvidest, naeltest vms põhjustatud kahjustusi; eemaldage need enne töö alustamist
- Kontrollige alati, kas vörgupinge ühtib laadija andesildil toodud pingega
- Kui seade töötab ebaharilikult või teeb kummalist müra, lülitage see viivitamatult välja või tõmmake laadija pistik pistikupesast välja
- SKIL tagab seadme häireteta töö üksnes originaaltarvikute kasutamisel
- Kasutage vaid neid tarvikuid, mille lubatud pöörete arv on vähemalt sama suur nagu maksimaalsed tühikäigupöörded
- Seade/laadija ei ole mõeldud kasutamiseks isikutele (sh lastele), kellel on puudulikud füüsilised, sensoorsed või vaimsed võimed või kellel puudub kogemus ja teadmised, välja arvatud juhul, kuid nad töötavad nende ohutuse eest vastutava isiku järelevalve või juhendamise all
- Kindlustage, et lapsed ei mängiks seadmega/laadijaga
- **Fikseerige toorik** (fiksaatoriga kinnitatud või kruustangide vahele pandud toorik püsib kindlamini paigal kui lihtsalt käega hoides)
- **Kui teostate töid, mille puhul võib tarvik või kruvi tabada varjatud elektrijuhtmeid või seadme enda toitejuhet, hoidke seadet ainult isoleeritud käepidemetest** (kontakt pingel all oleva elektrijuhtmega võib pingestada seadme metallosad ja põhjustada elektrilöögi)
- **Varjatult paiknevate elektrijuhtmete, gaasi- või veetorude avastamiseks kasutage sobivaid otsimisseadmeid või pöörduge kohaliku elektri-, gaasi- või vee-ettevõtte poole** (kokkupuutel elektrijuhtmetega tulekahju- ja elektrilöögioht; gaasitorustiku vigastamisel plahvatusoht; veetorustiku vigastamisel materiaalne kahju või elektrilöögioht)
- **Asbestisaldava materjali töötlemine on keelatud** (asbest võib tekitada vähki)
- Värviga kaetud juhtmed, mõned puudlikud, mineraalid ja metall eraldavad tolmu, mis võib olla kahjulik (kokkupuude tolmuuga või selle sissehingamine võib seadme kasutajal või läheduses viibival inimestel põhjustada allergilisi reaktsioone ja/või hingamisteede haigusi); **kandke tolumumaski ja vajaduse korral töötage külgeühendatava tolmuemaldusseadmega**
- Teatud tüüpi tolm on klassifitseeritud kantserogeensena (nt tammest ja kasest eralduv tolm), eriti koos puidu niiskuse reguleerimiseks kasutatavate lisanditega;

kandke tolumumaski ja vajaduse korral töötage külgeühendatava tolmuemaldusseadmega

- Erinevate materjalide töötlemisel tekkinga tolmu käitlemisel tuleb järgida kehtivaid nõudeid
- Enne seadistuste tegemist seadme kallas ning tarvikute vahetust, samuti enne seadme transportimist ja hoiustamist veenduge, et lüliti B ② oleks keskasendis (lukustatud asendis)

LAADIMINE/AKUD

- Laadige akut ainult kaasasoleva akulaadijaga
- Ärge puudutage akulaadija kontakte
- Ärge jätke tööriista/laadijat/akut vihma kätte
- Hoidke tööriista/laadijat/akut toatemperatuuril vahemikus 0° kuni 40°C
- Ärge laadige akut niiskes keskkonnas
- Tulle visatud akut plahvatavad, seepärast ei tohi akut mingil põhjusel põletada
- Ärge kasutage kahjustatud laadijaid; toimetage seade kontrollimiseks SKIL-i ametlikku lepingulisse töökotta
- Lõpetage laadija kasutamine, kui selle toitejuhe või pistik on kahjustatud; laske toitejuhe või pistik kohe SKIL-i ametlikus lepingulises töökojas välja vahetada
- Ärge kasutage kahjustatud akusid, vaid vahetage need kohe välja
- Ärge kunagi monteeri laadijat või akut lahti
- Ärge püüdke laadida laadijaga mittelaetavaid patareisid

LAADIJAL/AKUL OLEVATE SÜMBOLITE SELGITUS

- ③ Enne kasutamist tutvuge kasutusjuhendiga
- ④ Kasutage laadijat ainult sisetingimustes
- ⑤ Topeltisolatsioon (maandusjuhe pole vajalik)
- ⑥ Laadija valede pooluste ühendamine on ohtlik (kasutage aku laadimiseks ainult kaasasolevat laadijat)
- ⑦ Automaatne väljalülitus laadija ülekuumenemisel (termokaitse rakendub ja laadija muutub kasutuks)
- ⑧ Ärge visake kasutusõlmatuks muutunud laadijat ära koos olmejäätmetega
- ⑨ Ärge visake kasutusõlmatuks muutunud akut ära koos olmejäätmetega

KASUTAMINE

- Aku laadimine ⑩
 - uued tööriistad ei ole laetud
 - ühendage vastavalt joonisele laadija vooluvõrk
 - asetage aku laadijasse
 - süttib punane tuli H näidates, et toimub aku laadimine
 - punane tuli H põleb seni, kuni aku on laadijaga ühendatud ja laadija pistik on seinakontaktis
- ! **pärast laadimisprotsessi lõppu on soovitatav aku laadijast ära võtta, see pikendab aku eluiga**
- OLULINE:
 - pärast 3-tunnist laadimist on laadimisprotsess lõppenud ja akut võib kasutada
 - laadimise käigus võivad laadija ja aku soojeneda; see on normaalne ega tähenda, et tegemist on rikkega
 - enne aku asetamist laadijasse veenduge, et aku välispind oleks puhas ja kuiv
 - tuleks vältida laadimist temperatuuril alla 0° ja üle 45°, sest see võib laadijat ja akut oluliselt kahjustada
 - akut ei tohi eemaldada töötavalt tööriistalt
- ! **uus või pikemat aega kasutamata aku saavutab täisvõimsuse alles umbes 5 laadimis-/tühjenemistsükli järel**

- akut ei ole soovivat laadida iga kord pärast seadme lühiajalist kasutamist, kuna see võib suurendada kulumist
- kui Te tööriista pikemat aega ei kasuta, on soovivat tömmata laadija pistik pistikupesast välja
- Sisse-/väljalülitamine ⁽¹¹⁾
- Pöörde arvu reguleerimine sujuvaks käivituseks ⁽¹²⁾
- Pöörlemisuuna ümberlülitamine ⁽¹³⁾
 - kui lüliti ei ole korralikult fikseerunud vasakus/paremas asendis, ei ole võimalik töölülitile A ⁽²⁾ vajutada
- ! **pöörlemissuunda tohib muuta üksnes siis, kui seade on täielikult seiskunud**
- Otsakute vahetamine ⁽¹⁴⁾
 - lükake otsak võimalikult sügavale padrunisse
- ! **ärge kasutage kahjustatud varrega otsakuid**
- Pöördemomendi kontrolli (VariTorque) ⁽¹⁵⁾
 - pöördemomendi suurendamiseks pöörake sidurirõngast D asendist 1 asendisse 5; asendis E sidur blokeerub, võimaldades teostada raskeid puurimis- ja kruvikeeramistööd
 - kruvi sissekeeramist alustage VariTorque asendis 1 ja suurendage siis tasapisi pöördemomenti, kuni soovitud sügavus on saavutatud
- Tööriista hoidmine ja juhtimine ⁽¹⁶⁾
 - ! **töötamise ajal hoidke tööriista kinni korpuse ja käepideme halli värvi osadest**
 - hoidke õhutusavad F ⁽²⁾ kinnikatmata
 - ärge suruge tööriistale liigselt; laske sellel enda heaks töötada

TÖÖJUHISED

- Kasutage sobivaid otsakuid ⁽¹⁷⁾
 - ! **kasutage üksnes teravaid otsakuid**
- Metallipuurimisel
 - kui vajate suuremat auku, puurige algul ette väike auk
 - määrige otsakuid aeg-ajalt õliga
- Kruvi keeramisel puidu otsapiirkonda on soovivat auk ette puurida, et vältida puidu lõhenemist
- Tööriista optimaalseks kasutamiseks on vajalik pidev surve kruvile, eriti kruvi väljakeeramisel
- Kruvi keeramisel kõvasse puitu on soovivat auk ette puurida
- Puidu puurimine puitu kahjustamata ⁽¹⁸⁾
- Müüritise puurimine tolmu tekitamata ⁽¹⁹⁾
- Lagede puurimine tolmu tekitamata ⁽²⁰⁾
- Keraamiliste plaatide puurimine, ilma et puur libiseks ⁽²¹⁾
- Rohkem nõuandeid leiata aadressil www.skil.com

HOOLDUS/TEENINDUS

- Tööriist pole mõeldud professionaalseks kasutamiseks
- Hoidke tööriista ja laadija puhtad
 - puhastage laadija kontaktid alkoholi või kontaktipuhastusvahendiga
- ! **enne laadija puhastamist tömmake selle pistikupesast välja**
- Tööriist/laadijat on hoolikalt valmistatud ja testitud; kui tööriist/laadijat sellest hoolimata rikki läheb, tuleb see lasta parandada SKILi elektriliste käsitööriistade volitatud remonditöökojas
 - saatke tööriist või laadija koos ostukviitungiga tarnijale või lähimasse SKILi lepingulisse töökotta (aadressid ja

tööriista varuosade joonise leiata aadressilt www.skil.com)

- defektse laadija korral tooge **nii laadija kui ka aku** edasimüüjale tagasi või võtke ühendust SKILi teeninduskeskusega

KESKKOND

- **Ärge visake kasutuskoõlbmatuks muutunud elektrilisi tööriista, lisatarvikuid ja pakendeid ära koos olmejäätmetega** (üksnes EL liikmesriikidele)
 - vastavalt Euroopa Parlamendi ja nõukogu direktiivile 2012/19/EÜ elektri- ja elektroonikaseadmete jäätmete kohta ning direktiivi nõuete kohaldamisele liikmesriikides tuleb kasutuskoõlbmatuks muutunud elektrilised tööriistad koguda eraldi ja keskkonnasäästlikult korduvkasutada või ringlusse võtta
 - seda meenutab Teile sümbol ⁽⁸⁾
- Aku tuleb eeskirjadekohaselt kahjutustada, see ei tohi sattuda olmeprügi hulka (seda meenutab Teile sümbol ⁽⁹⁾)
 - ! **enne aku kahjutustamist katke selle otsad kaitseks tugeva teibiga, et vältida lühisahela teket**

VASTAVUSDEKLARATSIOON C C

Akutrell/-kruvikeeraja 2395

Tehnilised andmed ⁽¹⁾

- Kinnitame ainuvastutajana, et punktis "Tehnilised andmed" kirjeldatud toode vastab järgmistele standarditele või normdokumentidele: EN 60745 (tööriist), EN 60335 (laadija), EN 61000, EN 55014 vastavalt direktiivide 2006/42/EÜ, 2014/35/EL, 2014/30/EL, 2011/65/EL nõuetele
- **Tehniline toimik saadaval aadressil:** SKIL Europe BV (PT-SEU/ENG1), 4825 BD Breda, NL

Marijn van der Hoofden Olaf Dijkgraaf
Operations & Engineering Approval Manager




SKIL Europe BV, 4825 BD Breda, NL

21.10.2014

MÜRA/VIBRATSIOON

- Vastavalt kooskõlas normiga EN 60745 läbi viidud mõõtmistele on tööriista helirõhk <70 dB(A) (standardkõrvalekalle: 3 dB) ja vibratsioon * m/s² (käe-randme-meetod; mõõtemääramatus K = 1,5 m/s²)
 - * metalli puurimisel <2,5 m/s²
 - * kruvi keeramisel <2,5 m/s²
- Tekkiva vibratsiooni tase on mõõdetud vastavalt standardis EN 60745 kirjeldatud standarditud testile; seda võib kasutada tööriistade võrdlemiseks ja tööriista kasutamisel ettenähtud töödeks esineva vibratsiooni esialgseks hindamiseks
 - tööriista kasutamisel muudeks rakendusteks või teiste/halvasti hooldatud tarvikute kasutamisel võib vibratsioon märkimisväärselt **suurened**

- ajal, kui tööriist on väljalülitatud või on küll sisselülitatud, kuid tegelikult seda ei kasutata, võib vibratsioon märkimisväärselt **väheneda**
- ! **enda kaitsmiks vibratsiooni eest hoidlake tööriista ja selle tarvikuid korralikult, hoidke oma käed soojad ja tagage sujuv töökorraldus**

LV

Akumulatora urbjmašina/ skrivgriezis

2395

IEVADS

- Šis instruments ir paredzēts urbšanai kokā, metālā, mūrī, akmenī, keramikas izstrādājumos un plastmasā; instrumenta modeļi ar elektronisko ātruma regulēšanas sistēmu un darbvārpstas griešanās virziena pārlēgšanu ir piemēroti arī skrūvju ieskrūvēšanai un vītņu griešanai
- Šis instruments nav paredzēts profesionālai lietošanai
- Izlasiet un saglabājiet šo pamācību ③

TEHNISKIE PARAMETRI ①

Maks. griezes moments cietam skrūvēšanas režīmam atbilstoši standartam ISO 5393 : 26 Nm

INSTRUMENTA ELEMENTI ②

- A Ieslēdzējs un griešanās ātruma regulators
- B Griešanās virziena pārlēdzējs
- C Bezatslēgas urbjpatrona
- D Gredzens griezes momenta regulēšanai
- E Bloķēšanas pozīcija (sajūgs)
- F Ventilācijas atveres
- G Uzlādes ierīce
- H Uzlādes ierīces indikators (sarkans)

DROŠĪBA

VISPĀRĒJIE DARBA DROŠĪBAS NOTEIKUMI

⚠ UZMANĪBU! Rūpīgi izlasiet visus drošības noteikumus. Šeit sniegto drošības noteikumu un norādījumu neievērošana var izraisīt aizdegšanos un būt par cēloni elektriskajam triecienam vai nopietnam savainojumam. **Pēc izlasīšanas uzglabājiet šos noteikumus turpmākai izmantošanai.** Turpmākajā izklāstā lietotais apzīmējums "elektroinstrumenti" attiecas gan uz tīkla elektroinstrumentiem (ar elektrokabeļi), gan arī uz akumulatora elektroinstrumentiem (bez elektrokabeļa).

1) DROŠĪBA DARBA VIETĀ

- a) **Sekojet, lai darba vieta būtu tīra un sakārtota.** Nekārtīgā darba vietā vai sliktā apgaismojumā var viegli notikt nelaimes gadījums.
- b) **Nelietojiet elektroinstrumentu eksplozīvu vai ugunsnedrošu vielu tuvumā un vietās ar paaugstinātu gāzes vai putekļu saturu gaisā.** Darba laikā instruments nedaudz dzirkstelo, un tas var izsaukt viegli degošu putekļu vai tvaiku aizdegšanos.

- c) **Lietojot elektroinstrumentu, nelaujiet nepiederošām personām un jo īpaši bērniem tuvoties darba vietai.** Citu personu klātbūtne var novērst uzmanību, un tā rezultātā jūs varat zaudēt kontroli pār instrumentu.

2) ELEKTRODROŠĪBA

- a) **Elektroinstrumenta kontaktdakšai jābūt piemērotai elektrotīkla kontaktlīdzdai. Kontaktdakšas konstrukciju nedrīkst nekādā veidā mainīt.** **Nelietojiet kontaktdakšas salāgotājus, ja elektroinstrumenti caur kabeli tiek savienots ar aizsargzemējuma ķēdi.** Neizmaiņas konstrukcijas kontaktdakša, kas piemērota kontaktlīdzdai, ļauj samazināt elektriskā trieciena saņemšanas risku.
- b) **Darba laikā nepieskarieties sazemētiem priekšmetiem, piemēram, caurulēm, radiatoriem, plītiem vai ledusskapjiem.** Pieskaroties sazemētām virsmām, pieaug risks saņemt elektrisko triecienu.
- c) **Nelietojiet elektroinstrumentu lietus laikā, neturiet to mitrumā.** Mitrumam iekļūstot instrumentā, pieaug risks saņemt elektrisko triecienu.
- d) **Nenesiet un nepiekariet elektroinstrumentu aiz elektrokabeļa. Neraujiet aiz kabeļa, ja vēlaties atvienot instrumentu no elektrotīkla kontaktlīdzdas. Sargājiet elektrokabeļi no karstuma, eļļas, asām šķautnēm un instrumenta kustīgajām daļām.** Bojāts vai samezģojies elektrokabeļis var būt par cēloni elektriskajam triecienam.
- e) **Darbinot elektroinstrumentu ārpus telpām, izmantojiet tā pievienošanai vienīgi tādus pagarinātājkabeļus, kuru lietošana ārpus telpām ir atļauta.** Lietojot elektrokabeļi, kas piemērots darbam ārpus telpām, samazinās risks saņemt elektrisko triecienu.
- f) **Ja elektroinstrumentu tomēr nepieciešams lietot vietās ar paaugstinātu mitrumu, izmantojiet tā pievienošanai noplūdes strāvas aizsargreleju.** Lietojot noplūdes strāvas aizsargreleju, samazinās risks saņemt elektrisko triecienu.

3) PERSONISKĀ DROŠĪBA

- a) **Darba laikā saglabājiet paškontroli un rīkojieties saskaņā ar veselo saprātu.** Pārtrauciet darbu, ja jūtaties noguris vai atrodieties alkohola, narkotiku vai medikamentu izraisītā reibumā. Strādājot ar elektroinstrumentu, pat viens neuzmanības mirklis var būt par cēloni nopietnam savainojumam.
- b) **Izmantojiet individuālos darba aizsardzības līdzekļus un darba laikā vienmēr nēsājiet aizsargbrilles.** Individuālo darba aizsardzības līdzekļu (putekļu maskas, neslīdošu apavu un aizsargķiveres vai ausu aizsargu) pielietošana atbilstoši elektroinstrumenta tipam un veicamā darba raksturam ļauj izvairīties no savainojumiem.
- c) **Nepieļaujiet elektroinstrumenta patvaļīgu ieslēgšanos.** Pirms elektroinstrumenta pievienošanas elektrotīklam, akumulatora ievietošanas vai izņemšanas, kā arī pirms elektroinstrumenta pārnesšanas pārliecinieties, ka tas ir izslēgts. Pārnesot elektroinstrumentu, ja pirksts atrodas uz ieslēdzēja, kā arī pievienojot to elektrobarošanas avotam laikā, kad elektroinstrumenti ir ieslēgts, var viegli notikt nelaimes gadījums.

- d) Pirms instrumenta ieslēgšanas neaizmirstiet izņemt no tā regulējošos instrumentus vai skrūvjatslēgas. Patronatslēga vai skrūvjatslēga, kas instrumenta ieslēgšanas brīdī nav izņemta no tā, var radīt savainojumu.
- e) Strādājot ar elektroinstrumentu, ieturiet stingru stāju. Darba laikā vienmēr saglabājiet līdzsvaru un centieties nepaslidēt. Tas atvieglos instrumenta vadību neparedzētās situācijās.
- f) Izvēlieties darbam piemērotu apģērbu. Darba laikā nenēsājiet brīvi plandošas drēbes un rotaslietas. Netuviniet matus, apģērbu un aizsargcimdus instrumenta kustīgajām daļām. Vaļīgas drēbes, rotaslietas un garī mati var iekerties instrumenta kustīgajās daļās.
- g) Ja elektroinstrumenta konstrukcija ļauj tam pievienot ārējo putekļu uzsūkšanas vai savākšanas/uzkrāšanas ierīci, sekojiet, lai tā tiktu pievienota elektroinstrumentam un pareizi darbotos. Pielietojot putekļu uzsūkšanu vai savākšanu/uzkrāšanu, samazinās to kaitīgā ietekme uz strādājošās personas veselību.
- 4) ELEKTROINSTRUMENTU LIETOŠANA UN APKOPE
- a) Nepārslogojiet elektroinstrumentu. Katram darbam izvēlieties piemērotu instrumentu. Elektroinstrumentus darbošies labāk un drošāk pie nominālās slodzes.
- b) Nelietojiet elektroinstrumentu, ja ir bojāts tā ieslēdzējs. Elektroinstrumenti, ko nevar ieslēgt un izslēgt, ir bīstami lietošanai un to nepieciešams remontēt.
- c) Pirms elektroinstrumenta apkopes, regulēšanas vai darbinstrumenta nomaināms atvienojiet tā kontaktdakšu no barojošā elektrotīkla vai izņemiet no tā akumulatoru. Šādi iespējams samazināt elektroinstrumenta nejaušas ieslēgšanās risku.
- d) Elektroinstrumentu, kas netiek darbināts, uzglabājiet piemērotā vietā, kur tas nav sasniedzams bērniem un personām, kuras neprot rīkoties ar instrumentu. Ja elektroinstrumentu lieto nekompetentas personas, tas var apdraudēt cilvēku veselību.
- e) Rūpīgi veiciet elektroinstrumenta apkalpošanu. Pārbaudiet, vai kustīgās daļas darbojas bez traucējumiem un nav iespīlētas, vai kāda no daļām nav salauzta vai bojāta, vai katra no tām pareizi funkcionē un pilda tai paredzēto uzdevumu. Nodrošiniet, lai bojātās daļas tiktu savlaicīgi nomainītas vai remontētas pilnvarotā remontu darbnīcā. Daudzi nelaimes gadījumi notiek tāpēc, ka elektroinstrumenti pirms lietošanas nav pienācīgi apkalpoti.
- f) Savlaicīgi notīriet un uzasiniet griezošos darbinstrumentus. Rūpīgi kopti instrumenti, kas apgādāti ar asiem griežējinstrumentiem, ļauj strādāt daudz ražīgāk un ir vieglāk vadāmi.
- g) Lietojiet vienīgi tādus elektroinstrumentus, papildpiederumus, darbinstrumentus utt., kas paredzēti attiecīgajam pielietojuma veidam. Bez tam jāņem vērā arī konkrētie darba apstākļi un pielietojuma īpatnības. Elektroinstrumentu lietošana citiem mērķiem, nekā to ir paredzējis ražotājfirma, ir bīstama un var novest pie neparedzamām sekām.

5) AKUMULATORA ELEKTROINSTRUMENTU LIETOŠANA

- a) Akumulatora uzlādei lietojiet tikai tādu uzlādes ierīci, ko ir ieteikusi elektroinstrumenta ražotājfirma. Katra uzlādes ierīce ir paredzēta tikai noteikta tipa akumulatoram, un mēģinājums to lietot cita tipa akumulatoru uzlādei var novest pie uzlādes ierīces un/vai akumulatora aizdegšanās.
- b) Pievienojiet elektroinstrumentam tikai tādu akumulatoru, ko ir ieteikusi instrumenta ražotājfirma. Cita tipa akumulatoru lietošana var novest pie elektroinstrumenta un/vai akumulatora aizdegšanās.
- c) Laikā, kad akumulators ir atvienots no elektroinstrumenta, nepieļaujiet, lai tā kontakti saskartos ar saspaudzēm, monētām, atslēgām, naglām, skrūvēm vai citiem nelieliem metāla priekšmetiem, kas varētu izraisīt īsslēgumu. Īsslēgums starp akumulatora kontaktiem var izsaukt tā aizdegšanos un būt par cēloni ugunsgrēkam.
- d) Nepareizi lietojot akumulatoru, no tā var izplūst šķidrās elektrolīts. Nepieļaujiet, ka elektrolīts nonāktu saskarē ar ādu. Ja tas tomēr nejausi ir noticis, noskalojiet elektrolītu ar ūdeni. Ja elektrolīts nonāk acīs, nekavējoties griežieties pie ārsta. No akumulatora izplūdušais elektrolīts var izsaukt ādas iekaisumu vai pat apdegumu.
- 6) APKALPOŠANA
- a) Nodrošiniet, lai Instrumenta remontu veiktu kvalificēts personāls, nomaīnai izmantojot oriģinālās rezerves daļas un piederumus. Tikai tā iespējams panākt instrumenta ilgstošu un nevainojamu darbību bez atteikumiem.

DARBA DROŠĪBAS NOTEIKUMI AKUMULATORA URBJAMAŠĒM/SKRŪVĢRIEZĪEM

- Izvairieties no instrumenta bojājumiem, ko var radīt apstrādājamajā priekšmetā esošās skrūves, naglas vai citi līdzīgi objekti; pirms darba uzsākšanas atbrīvojiet apstrādājamo materiālu no šādiem priekšmetiem
- Vienmēr pārliecinieties, ka spriegums, kas uzrādīts uz uzlādes ierīces marķējuma plāksnītes, atbilst padeves spriegumam elektrotīklā
- Mehāniska vai elektriska rakstura kļūmes gadījumā nekavējoties izslēdziet instrumentu vai atvienojiet uzlādes ierīci no barojošā elektrotīkla
- Firma SKIL garantē instrumenta nevainojamu darbību tikai tad, ja tiek lietoti oriģinālie papildpiederumi
- Lietojiet tikai tādus darbinstrumentus, kuru pieļaujamais darbības ātrums ir vismaz tikpat liels, kā instrumenta maksimālais brīvgaits ātrums
- Instrumentu un uzlādes ierīci nav paredzēts izmantot personām (tostarp bērniem) ar ierobežotām fiziskām, uztveres vai garīgām spējām, kā arī personām, kam trūkst vajadzīgās pieredzes un zināšanu, ja vien persona, kas atbild par drošību, viņus neuzrauga vai nesniedz norādījumus par instrumenta vai uzlādes ierīces lietošanu
- Sekojiet, lai bērni nerotaļātos ar instrumentu vai uzlādes ierīci
- Nostipriniet apstrādājamo detaļu (to ir drošāk nostiprināt ar spailēm vai skrūvspīlēm, nevis turēt rokā)

- Veicot darbu, kura laikā darbinstruments vai skrūve var skart slēptus elektriskos vadus vai paša instrumenta elektrokabeli, turiet instrumentu tikai aiz izolētajām virsmām (darbinstrumentam skarot spriegumnesošus vadus, spriegums nonāk arī uz instrumenta metāla daļām un var būt par cēloni elektriskajam triecienam)
- Ar piemērotu metālmeklētāja palīdzību pārbaudiet, vai apstrādes vietu nešķērso slēptas elektropārvades līnijas, kā arī gāzes vai ūdens caurules; šaubu gadījumā griezties vietējā komunālās saimniecības iestādē (darbinstrumentam skarot elektrotīkla fāzes līniju, var izcelties ugunsgrēks un strādājošais var saņemt elektrisko triecienu; gāzes vada bojājums var izraisīt sprādzienu; darbinstrumentam skarot ūdensvada cauruli, var tikt bojātas materiālās vērtības un strādājošais var saņemt elektrisko triecienu)
- Neapstrādājiet materiālus, kas satur azbestu (azbestam piemīt kancerogēnas īpašības)
- Materiāla (piemēram, svinu saturošas krāsas, dažu koka šķirņu, minerālu un metāla) putekļi var būt kaitīgi (saskare ar putekļiem vai to ieelpošana var izraisīt alerģiskas reakcijas un/vai elpošanas ceļu saslimšanas operatoram vai klātesošajiem); izmantojiet putekļu masku un putekļsūcēju, ja to iespējams pievienot
- Dažu veidu putekļi ir klasificēti kā kancerogēni (piemēram, ozola vai dižskābarža putekļi), jo īpaši apvienojumā ar koksnes kondicionēšanas piedevām; izmantojiet putekļu masku un putekļsūcēju, ja to iespējams pievienot
- Ievērojiet ar putekļu savākšanu saistītos nacionālos noteikumus, kas attiecas uz apstrādājamajiem materiāliem
- Pirms regulēšanas vai piederumu nomaiņas, kā arī, pārnesot vai uzglabājot instrumentu, pārliecinieties, ka tā pārslēdzējs B ② atrodas vidējā (neitrālā) stāvoklī

UZLĀDE/AKUMULATORI

- Akumulatoru uzlādēšanai izmantojiet tikai šim nolūkam paredzēto uzlādes ierīci, kas ietilpst instrumenta piegādes komplektā
- Nepieskarieties uzlādes ierīces kontaktspailēm
- Neatstājiet instrumentu, uzlādes ierīci vai akumulatoru lietū
- Uzglabājiet instrumentu, uzlādes ierīci un akumulatoru vietā, kur temperatūra nepārsniedz 40°C un nav zemāka par 0°C
- Neuzlādējiet akumulatoru mitrā vai miklā vidē
- Nekādā gadījumā neievietojiet akumulatoru ugunī, jo tas var izraisīt sprādzienu
- Nelietojiet bojātu uzlādes ierīci, bet nododiet to pārbaudei firmas SKIL pilnvarotā apkopes un remonta darbnīcā
- Nelietojiet uzlādes ierīci, ja ir bojāts tās elektrokabelis vai kontaktakša, bet nekavējoties nomainiet bojāto daļu firmas SKIL pilnvarotā apkopes un remonta darbnīcā
- Nelietojiet bojātu akumulatoru; tas nekavējoties jānomaina
- Nemēģiniet izjaukt uzlādes ierīci vai atvērt akumulatora korpusu
- Nemēģiniet uzlādēt elektrobarošanas elementus, kas nav paredzēti atkārtotai uzlādēšanai

UZ UZLĀDES IERĪCES/AKUMULATORA SIMBOLU SKAIDROJUMS

- ③ Pirms izstrādājuma lietošanas izlasiet tā lietošanas pamācību
- ④ Uzlādes ierīci drīkst lietot tikai telpās
- ⑤ Divkārsa izolācija (nav jālieto zemējuma vads)
- ⑥ Lādētāja savienojuma nepareiza polaritāte var nodarīt kaitējumu (lādējiet akumulatoru tikai ar komplektācijā esošo lādētāju)
- ⑦ Automātisks izslēdzējs gadījumā, ja lādētājs kļūst pārāk karsts (termodrošinātājs tiek izsists un lādētājs kļūst nelietojams)
- ⑧ Neizmetiet nolietoto uzlādes ierīci sadzīves atkritumu tvērtne
- ⑨ Neizmetiet nolietoto akumulatoru sadzīves atkritumu tvērtne

DARBS

- Akumulatora uzlādēšana ⑩
 - jauna instrumenta akumulators parasti nav pilnībā uzlādēts
 - pievienojiet uzlādes ierīci elektrotīklam, kā parādīts attēlā
 - ievietojiet akumulatoru uzlādes ierīcē
 - iedegas sarkanais indikators H, liecinot, ka notiek akumulatora uzlāde
 - sarkanais indikators H degs, kamēr akumulators ir pievienots lādētājam un lādētājs ir pieslēgts sienas kontaktligzdai

! pēc uzlādes beigām izņemiet akumulatoru no uzlādes ierīces, jo šādi palielinās akumulatora kalpošanas laiks

SVARĪGI NORĀDĪJUMI:

- pēc 3 stundām akumulatora uzlāde ir pabeigta un to var sākt izmantot pat tad
- uzlādes laikā uzlādes ierīce un akumulators var nedaudz uzsilt; tas ir normāli un neliecina par bojājumu
- pirms akumulatora ievietošanas uzlādes ierīcē pārliecinieties, ka tā ārējā virsma ir tīra un sausa
- neveiciet akumulatora uzlādi, ja gaisa temperatūra ir zemāka par 0 °C vai augstāka par 45 °C; tas var radīt akumulatora un uzlādes ierīces nopietnus bojājumus
- neizņemiet akumulatoru no instrumenta laikā, kad tas darbojas
- ! jaunam vai ilgāku laiku nelietotam akumulatoram ietilpība pilnībā atjaunojas tikai pēc aptuveni 5 uzlādes/izlādes cikliem
- necentieties akumulatoru uzlādēt atkārtoti jau pēc dažu minūšu darba, jo pretējā gadījumā var samazināties akumulatora kalpošanas ilgums un darb spēja
- ja ir paredzams, ka instruments ilgāku laiku netiks izmantots, uzlādes ierīces elektrokabelis jāatvieno no barojošā elektrotīkla
- Instrumenta ieslēgšana/izslēgšana ⑪
- Darbvārpstas griešanās ātruma bezpakāpju regulēšana ⑫
- Griešanās virziena pārslēgšana ⑬
 - ja darbvārpstas griešanās virziena pārslēdzējs nav precīzi iestādīts galējā labējā/kreisajā stāvoklī, ieslēdzēju A ② nav iespējams nospiest

! pārslēdziet darbvārpstas griešanās virzienu tikai tad, kad instruments ir pilnībā apstājies

- Darbinstrumentu nomaīņa 14
- ievietojiet darbinstrumenta kātu urbĵpatronā pēc iespējas dziļāk
- ! neizmantojiet darbinstrumentus ar bojātu kātu**
- Griezes momenta regulēšanas sistēma (VariTorque) 15
- griezes moments pieaug, griežot regulējošo gredzenu D no stāvokļa 1 līdz stāvoklim 5; pagriežot gredzenu stāvoklī E, sistēmas darbība tiek bloķēta, ļaujot veikt urbšanas un skrūvēšanas darbus ar lielu griezes momentu
- ieskrūvējot skrūvi, vispirms pagrieziet regulējošo gredzenu stāvoklī 1, tad pakāpeniski palieliniet griezes momentu, līdz tiek sasniegts vēlamais ieskrūvēšanas dziļums
- Instrumenta turēšana un vadīšana 16
- ! darba laikā vienmēr turiet instrumentu aiz pelēkās krāsas noturvirsmas(ām)**
- nenosprostojiet instrumenta ventilācijas atveres F 2
- darba laikā pārlieku nespiediet instrumentu; ļaujiet tam darboties nominālā režīmā

PRAKTISKI PADOMI

- Lietojiet tikai tādus darbinstrumentus, kuru tips atbilst apstrādājamajam materiālam 17
- ! lietojiet tikai asus darbinstrumentus**
- Melno metālu urbšana
- ja nepieciešams izveidot liela diametra urbumu, vispirms ieurbiet mazāka izmēra atvērumu
- laiku pa laikam ieeļļojiet urbi
- Veicot skrūves ieskrūvēšanu tuvu koka priekšmeta vai konstrukcijas malai, vispirms ieteicams ieurbt atvērumu, lai novērstu koksnes plaisāšanu
- Lai instruments tiktu izmantots optimālā režīmā, ieturiet pastāvīgu spiedienu uz skrūves galvu, īpaši tad, ja skrūve tiek ieskrūvēta
- Veicot skrūves ieskrūvēšanu cietā koksnē, vispirms ieurbiet atvērumu
- Urbumu veidošana koksnē bez apstrādājamā materiāla plaisāšanas 18
- Urbumu veidošana sienās, vienlaicīgi savācot urbšanas rezultātā radušos grūžus 19
- Urbumu veidošana griestos, vienlaicīgi savācot urbšanas rezultātā radušos grūžus 20
- Urbumu veidošana flīzēs, nepieļaujot to plaisāšanu 21
- Papildu ieteikumi ir sniegti datortīkla vietnē www.skil.com

APKALPOŠANA / APKOPE

- Šis darbarīks nav paredzēts profesionālai lietošanai
- Uzturiet tīru instrumentu un uzlādes ierīci
- notīriet uzlādes ierīces kontaktpailes ar spirtu vai speciālo kontaktu tīrīšanas līdzekli
- ! pirms uzlādes ierīces tīrīšanas atvienojiet to no elektrotilkla**
- Ja, neraugoties uz augsto izgatavošanas kvalitāti un rūpīgo pērceražošanas pārbaudi, instruments vai uzlādes ierīce tomēr sabojājas, tas jānogādā remontam firmas SKIL pilnvarotā elektroinstrumentu remonta darbnīcā
- nogādājiet instrumentu vai uzlādes ierīci **neizjauktā veidā** kopā ar iegādes dokumentiem tuvākajā

tirdzniecības vietā vai firmas SKIL pilnvarotā piegādes apkalpošanas un remonta iestādē (adreses un instrumenta apkalpošanas shēma ir sniegta interneta vietnē www.skil.com)

- defektīva lādētāja gadījumā nosūtiet **gan lādētāju, gan akumulatoru** savam izplatītājam vai SKIL apkopes centram

APKĀRTĒJĀS VIDES AIZSARDZĪBA

- **Neizmetiet elektroiekārtas, piederumus un iesaiņojuma materiālus sadzīves atkritumos** (tikai ES valstīm)
- saskaņā ar Eiropas Savienības direktīvu 2012/19/ES par nolietotajām elektriskajām un elektroniskajām iekārtām un tās atspoguļojumiem nacionālajā likumdošanā, nolietotās elektroiekārtas ir jāsavāc, jāizjauc un jānogādā atreizējai pārstrādei apkārtējai videi nekaitīgā veidā
- īpašs simbols 8 atgādina par nepieciešamību izstrādājumus utilizēt videi nekaitīgā veidā
- **Nolietotie akumulatori jāsavāc un jānogādā atreizējai pārstrādei atsevišķi, tos nedrīkst izmest kopā ar sadzīves atkritumiem** (īpašs simbols 9 a atgādina par nepieciešamību tos utilizēt videi nekaitīgā veidā)
- ! pirms akumulatora utilizācijas tā kontakti jāaplīmē ar izolācijas lenti, lai nepieļautu īssavienojuma rašanos starp tiem**

ATBILSTĪBAS DEKLARĀCIJA CE

Akumulatora urbjmašīna/skrūvgriezis 2395 Tehniskie parametri 1

- Mēs ar pilnu atbildību paziņojam, ka sadaļā "Tehniskie parametri" aprakstītais izstrādājums atbilst šādiem standartiem vai normatīvajiem dokumentiem: EN 60745 (instruments), EN 60335 (lādētājs), EN 61000, EN 55014, kā arī direktīvām 2006/42/EK, 2014/35/ES, 2014/30/ES, 2011/65/ES
- **Tehniskā dokumentācija no:** SKIL Europe BV (PT-SEU/ENG1), 4825 BD Breda, NL

Marijn van der Hoofden Olaf Dijkgraaf
Operations & Engineering Approval Manager

SKIL Europe BV, 4825 BD Breda, NL

21.10.2014

TROKSNIS/VIBRĀCIJA

- Saskaņā ar standartu EN 60745 noteiktais instrumenta radītā trokšņa skaņas spiediena līmenis ir <70 dB(A) (pie tipiskās izkliedes 3 dB) un vibrācijas pātrinājums ir * m/s² (roku-delnu metode; izkliede K = 1,5 m/s²)
- * veicot urbšanu metālā <2,5 m/s²
- * veicot skrūves ieskrūvēšanu <2,5 m/s²
- Vibrācijas līmenis ir noteikts, izmantojot standartu EN 60745 paredzēto procedūru; to var izmantot, lai salīdzinātu instrumentus un provizoriski izvērtētu vibrācijas iedarbību, lietojot instrumentu minētajiem mērķiem

- instrumenta izmantošana citiem mērķiem vai ar citiem vai nepietiekami koptiem piederumiem var ievērojami **palielināt** kopējo vibrācijas iedarbības pakāpi
- laika periodi, kad instruments ir izslēgts vai arī ir ieslēgts, taču darbs ar to nenotiek, var ievērojami **samazināt** kopējo vibrācijas iedarbības pakāpi
- ! **pasargājiet sevi no vibrācijas iedarbības, veicot instrumenta un tā piederumu tehnisko apkopi, novēršot roku atdzišanu un pareizi organizējot darbu**

LT

Akumulatorinis gręžtuvas/ suktuvas

2395

ĮVADAS

- Šis įrankis skirtas medienos, metalo, plytų, akmens, keramikos bei plastmasės gręžimui; modeliai su elektroniniu sūkių valdymu bei reverso funkcija tinka ir varžtų sukimui bei sriegimui
- Šis prietaisas neskirtas profesionaliam naudojimui
- Perskaitykite ir išsaugokite šią naudojimo instrukciją ③

TECHNINIAI DUOMENYS ①

Maks. sukimo momentas kietosios jungties atveju pagal ISO 5393 : 26 Nm

PRIETAISO ELEMENTAI ②

- A Jungiklis įjungimui/išjungimui ir greičiui valdyti
- B Sukimosi krypties perjungiklis
- C Greitai užveržiamas gręžimo patronas
- D Sukimo momento nustatymo žiedas
- E Blokavimo padėtis (sankaba)
- F Ventiliacinės angos
- G Įkroviklis
- H Pakrovėjo lemputė (raudona šviesa)

SAUGA

BENDROSIOS DARBO SAUGOS NUORODOS

⚠ DĖMESIO! Perskaitykite visas šias saugos nuorodas ir reikalavimus. Jei nepaisysite žemiau pateiktų saugos nuorodų ir reikalavimų, gali trenkti elektros smūgis, kilti gaisras ir/arba galite sunkiai susižaloti arba sužaloti kitus asmenis. **Išsaugokite šias saugos nuorodas ir reikalavimus, kad ir ateityje galėtumėte jais pasinaudoti.** Toliau pateiktame tekste vartojama sąvoka “elektrinis įrankis” apibūdina įrankius, maitinamus iš elektros tinklo (su maitinimo laidu), ir akumulatorinius įrankius (be maitinimo laido).

1) DARBO VIETOS SAUGUMAS

- a) **Darbo vieta turi būti švari ir tvarkinga.** Netvarka ar blogai apšviesta darbo vieta gali tapti nelaimingų atsitikimų priežastimi.

- b) **Nedirbkite tokioje aplinkoje, kur yra degių skysčių, dujų ar dulkių.** Elektriniai įrankiai gali kibirkščiuoti, o nuo kibirkščių dulkės arba susikaupę garai gali užsidegti.
- c) **Dirbdami su elektriniu įrankiu neiseikite šalia būti žiūrovams, vaikams ir lankytojams.** Nukreipę dėmesį į kitus asmenis galite nebesuvaldyti prietaiso.

2) ELEKTROSAUGA

- a) **Maitinimo laido kištukas turi atitikti tinklo rozetės tipą. Kištuko jokiu būdu negalima modifikuoti. Nenaudokite jokių kištuko adapterių su žemintais prietaisais.** Originalūs kištukai, tiksliai tinkantys elektros tinklo rozetei, sumažina elektros smūgio pavojų.
- b) **Venkite kūno kontakto su žemintais paviršiais, tokiais kaip vamzdžiai, šildytuvai, viryklės ar šaldytuvai.** Egzistuoja padidinta elektros smūgio rizika, jei Jūsų kūnas bus žemintas.
- c) **Saugokite prietaisą nuo lietaus ir drėgmės.** Jei vanduo patenka į elektrinį prietaisą, padidėja elektros smūgio rizika.
- d) **Nenaudokite maitinimo laido ne pagal paskirtį, t. y. neneškite prietaiso paėmę už laido, nekabinkite prietaiso už laido, netraukite už jo, norėdami išjungti kištuką iš rozetės. Laidą klokite taip, kad jo neveiktų karštis, jis neišsitemptų alyva ir jo nepažeistų aštrios detalės ar judančios prietaiso dalys.** Pažeisti arba susipynę laidai gali tapti elektros smūgio priežastimi.
- e) **Jei su elektriniu įrankiu dirbate lauke, naudokite tik tokius ilginimo kabelius, kurie tinka lauko darbams.** Naudokite lauko darbams pritaikytus ilginimo kabelius, sumažinamas elektros smūgio pavojus.
- f) **Jei su elektriniu įrankiu neišvengiamai reikia dirbti drėgnoje aplinkoje, naudokite įžeminimo grandinės pertraukiklį.** Naudojant įžeminimo grandinės pertraukiklį, sumažėja elektros smūgio pavojus.

3) ŽMONIŲ SAUGA

- a) **Būkite atidūs, sutelkite dėmesį į tai, ką Jūs darote ir, dirbdami su elektriniu įrankiu, vadovaukitės sveiku protu. Nedirbkite su prietaisu, jei esate pavargę arba vartojote narkotikus, alkoholį ar medikamentus.** Akimirksnio neatidumas naudojant prietaisą gali tapti rimtų sužalojimų priežastimi.
- b) **Naudokite asmenines apsaugos priemones ir visuomet užsidėkite apsauginius akinius.** Naudojant asmenines apsaugos priemones, pvz., respiratorių ar apsauginę kaukę, neslystančius batus, apsauginį šalną, klausos apsaugos priemones ir kt., rekomenduojamas dirbant su tam tikros rūšies įrankiais, sumažėja rizika susižeisti.
- c) **Saugokitės, kad neįjungtumėte prietaiso atsitiktinai. Prieš prijungdami elektrinį įrankį prie elektros tinklo ir/arba akumulatoriaus, prieš pakeldami ar nešdami įsitikinkite, kad jis yra išjungtas.** Jeigu nešdami elektrinį įrankį pirštą laikysite ant jungiklio arba prietaisą įjungsitė į elektros tinklą, kai jungiklis yra įjungtas, gali įvykti nelaimingas atsitikimas.
- d) **Prieš įjungdami prietaisą pašalininkite reguliavimo įrankius arba veržlių raktus.** Prietaiso besiuskančioje dalyje esantis įrankis ar raktas gali tapti sužalojimų priežastimi.
- e) **Nepervertinkite savo galimybių. Dirbdami atsisitokite patikimai ir visada išlaikykite pusiausvyrą.** Patikima

stovėsena ir tinkama kūno laikysena leis geriau kontroliuoti prietaisą netikėtose situacijose.

- f) **Dėvėkite tinkamą aprangą. Nedėvėkite plaučių drabužių ir papuošalų. Saugokite plaukus, drabužius ir pirštines nuo besisukančių prietaiso dalių.** Laisvus drabužius, papuošalus bei ilgus plaukus gali įtraukti besisukančios dalys.
- g) **Jei yra numatyta galimybė prijungti dulkių nusiurbimo ar surinkimo įrenginius, visada įsitikinkite, ar jie yra prijungti ir ar teisingai naudojami.** Naudojant dulkių nusiurbimo įrenginius sumažėja kenksmingas dulkių poveikis.
- 4) RŪPESTINGA ELEKTRINIŲ ĮRANKIŲ PRIEŽIŪRA IR NAUDOJIMAS**
- a) **Neperkraukite prietaiso. Naudokite Jūsų darbu tinkamą elektrinį įrankį.** Su tinkamu elektriniu įrankiu Jūs dirbsite geriau ir saugiau, jei neviršysite nurodyto galingumo.
- b) **Nenaudokite elektrinio įrankio su sugedusiu jungikliu.** Elektrinis įrankis, kurio nebegalima įjungti ar išjungti, yra pavojingas ir jį reikia remontuoti.
- c) **Prieš reguliuodami prietaisą, keisdami darbo įrankius ar prieš valydami prietaisą, iš elektros tinklo lizdo ištraukite kištuką ir/arba išimkite akumuliatorių.** Ši saugumo priemonė apsaugos jus nuo netikėto prietaiso įsijungimo.
- d) **Nenaudojamą prietaisą sandėliuokite vaikams ir nemokantiems juo naudotis asmenims neprieinamoje vietoje.** Elektriniai įrankiai yra pavojingi, kai juos naudoja nepatyrę asmenys.
- e) **Rūpestingai prižiūrėkite prietaisą. Tikrinkite, ar besisukančios prietaiso dalys tinkamai veikia ir niekur neklūva, ar nėra sulūžusių ar šiaip pažeistų dalių, kurios įtakotų prietaiso veikimą.** Prieš vėl naudojant prietaisą pažeistos prietaiso dalys turi būti suremontuotos. Daugelio nelaimingų atsitikimų priežastis yra blogai prižiūrimi elektriniai įrankiai.
- f) **Pjovimo įrankiai turi būti aštrūs ir švarūs.** Rūpestingai prižiūrėti pjovimo įrankiai su aštriomis pjaujamosiomis briaunomis mažiau stringa ir juos yra lengviau valdyti.
- g) **Elektrinį įrankį, papildomą įrangą, darbo įrankius ir t. t. naudokite taip, kaip nurodyta šioje instrukcijoje.** Taip pat atsižvelkite į darbo sąlygas bei atliekamo darbo pobūdį. Naudojant elektrinius įrankius ne pagal jų paskirtį galima sukelti pavojingas situacijas.
- 5) RŪPESTINGA AKUMULIATORINIŲ ĮRANKIŲ PRIEŽIŪRA IR NAUDOJIMAS**
- a) **Akumulatoriaus krovimui naudoti tik tuos įkroviklius, kuriuos rekomenduoja gamintojas.** Naudojant kitokio tipo akumulatoriams skirtą įkroviklį, kyla gaisro pavojus.
- b) **Su prietaisu galima naudoti tik jam skirtą akumuliatorių.** Naudojant kitokius akumuliatorius atsiranda pavojus susižeisti bei sukelti gaisrą.
- c) **Nelaikykite sąvaržėlių, monetų, raktų, vinių, varžtų ar kitokių metalinių daiktų arti ištraukto iš instrumento akumulatoriaus kontakto.** Užtrūpinus akumulatoriaus kontaktus galima nusidegini ar sukelti gaisrą.
- d) **Netinkamai naudojant akumuliatorių, iš jo gali ištekti skystis. Venkite kontakto su šiuo skystčiu. Jei skystis pateko ant odos, nuplaukite jį vandeniu,**

jei pateko į akis - nedelsiant kreipkitės į gydytoją.

Akumulatoriaus skystis gali sukelti odos sudirginimą ar nudegimus.

6) APTARNAVIMAS

- a) **Prietaisą turi remontuoti tik kvalifikuotas specialistas ir naudoti tik originalias atsargines dalis.** Taip galima garantuoti, jog prietaisas išliks saugus.

DARBŲ SAUGOS NUORODOS DIRBANTIEMS SU AKUMULIATORINIAIS GRĘŽTUVAIS/SUKTUVAIS

- Saugokite, kad nepažeistumėte prietaiso ir juošinyje esančių varžtus, vinius ir pan; prieš pradėdami darbą juos pašalinkite
- Visada patikrinkite, ar elektros tinklo įtampa sutampa su įtampos dydžiu, nurodytu įkroviklio vardinėje lentelėje
- Jeigu pajutote, kad prietaisas veikia ne taip, kaip visada, arba girdisi nebūdingi garsai, tuojau pat jį išjunkite ir ištraukite kištuką iš elektros tinklo lizdo
- SKIL gali garantuoti neprikaištingą prietaiso veikimą tik tuo atveju, jei naudojama originali papildoma įranga ir priedai
- Leidžiama naudoti tik tokius įrankius, kurių maksimalus leistinas apsisukimų skaičius yra ne mažesnis, nei maksimalus Jūsų prietaiso sūkių skaičius
- Prietaisas/įkroviklis nėra skirtas naudotis asmenims (įskaitant vaikus), kurie turi menkus fizinius, jutimų ar psichikos sugebėjimus arba kurie stokoja patirties ir žinių; tokiais asmenimis turi prižiūrėti už jų saugą atsakingas asmuo arba jis turi jiems suteikti instrukcijas dėl prietaiso/įkroviklio naudojimo
- Pasirūpinkite, kad vaikai nežaistų su prietaisu/įkrovikliu
- **Saugiai laikykite tvirtinamą dirbinį** (dirbinį, kuris segamas ar kalamas kabių kalimo įrankiais, saugiau laikyti spaustuvu nei ranka)
- **Jei atliekate darbus, kurių metu darbo įrankis arba varžtas gali kliudyti paslėptus elektros laidus arba paties elektrinio įrankio maitinimo laidą, tai elektrinį įrankį laikykite už izoliuotų rankenų** (palietus laidą, kuriuo teka elektros srovė, metalinėse elektrinio įrankio dalyse gali atsirasti įtampa ir trenkti elektros smūgis)
- **Naudodami tam skirtus paieškos prietaisus, patikrinkite, ar gręžimo vietoje nėra paslėptų komunalinių tinklų vamzdynų, arba pasikvieskite į pagalbą vietinius komunalinių paslaugų tiekėjus** (kontaktas su elektros laidais gali sukelti gaisro bei elektros smūgio pavojų; pažeidus dujotiekio vamzdį, gali įvykti sprogimas; pažeidus vandentiekio vamzdį, galima pridaryti daugybę nuostolių bei sukelti elektros smūgio pavojų)
- **Draudžiama apdirbti medžiagas, kurių sudėtyje yra asbesto** (asbestas pasižymi vėžį sukeliančiu poveikiu)
- Kai kurių medžiagų, kaip antai dažų, kurių sudėtyje yra švino, kai kurių medžių rūšių medienos, mineralų ir metalo dulksės gali būti kenksmingos (kontaktas su šiomis dulksėmis arba įkvėptos dulksės gali sukelti operatoriui arba šalia esantiems žmonėms alergines reakcijas ir/arba kvėpavimo sistemos susirgimus); **mūvėkite priešdulkinę puskaukę arba dirbdami naudokite dulkių ištraukimo įrenginį, jei jį galima prijungti**
- Kai kurių rūšių dulksės priskiriamos kancerogeninėms (pvz., ažuolo arba buko medienos dulksės), ypač susimaišiusios su medienos taurinimui naudojamais

priedais; **mūvėkite priešdulkinę puskaukę arba dirbdami naudokite dulkių ištraukimo įrenginį, jei jį galima prijungti**

- Vadovaukitės Jūsų šalyje taikomų direktyvų reikalavimais, skirtais medžiagoms, su kuriomis norite dirbti
- Prieš atliekant bet kokius prietaiso aptarnavimo darbus ar keičiant priedus, jį transportuojant ir sandėliuojant, būtina nustatyti sukimosi krypties perjungiklį B ② į vidurinę padėtį (įjungimo blokavimas)

ĮKROVIMAS/AKUMULIATORIAI

- Akumuliatorių įkraukite tik komplekte esančiu krovikliu
- Nelieskite kroviklio kontaktų
- Jokiu būdu nepalikite prietaiso, akumuliatorių kroviklio ar akumuliatorių lietuje
- Patalpos, kurioje laikomas prietaisas, akumuliatorių kroviklis ar akumulatorius, temperatūra neturi viršyti 40°C ir neturi būti žemesnė, nei 0°C
- Niekada nekraukite baterijų drėgnoje arba šlapioje aplinkoje
- Įmesti į ugnį akumulatoriai sprogs, jų nedeginkite jokiais sumetimais
- Nenaudokite pažeistų ar sugedusių kroviklių; atneškite kroviklį patikrinti į įgaliotą SKIL įrankių taisyklą
- Jei elektros laidas arba kištukas yra pažeisti, nenaudokite kroviklio, bet pakeiskite laidą ar kištuką, arba kreipkitės į SKIL įgaliotą įrankių taisyklą
- Nenaudokite pažeistų akumuliatorių baterijų, jas būtina tuoj pat pakeisti
- Nemėginkite ardyti akumuliatorių baterijos ar kroviklio
- Nemėginkite akumuliatorių krovikliu krauti baterijų, kurias įkrauti draudžiama

ANT ĮKROVIMAS/AKUMULIATORIAUS ESANČIŲ SIMBOLIŲ REIKŠMĖS

- ③ Prieš naudodami įrankį perskaitykite instrukcijų vadovą
- ④ Įkroviklį naudokite tik patalpoje
- ⑤ Dviguba izoliacija (įžeminimo laido nereikia)
- ⑥ Neteisingas įkroviklio jungties poliarizavimas gali kelti pavojų (akumuliatorių kraukite tik patiekto įkrovikliu)
- ⑦ Automatinis išjungimas perkaitus įkrovikliui (šiluminis saugiklis išsilydo ir įkroviklis tampa nebetinkamas naudoti)
- ⑧ Nemeskite kroviklio į buitinių atliekų konteinerius
- ⑨ Nemeskite bateriją į buitinių atliekų konteinerius

NAUDOJIMAS

- Baterijos įkrovimas ⑩
 - naujų prietaisų akumulatoriai nėra įkrauti
 - įjunkite akumuliatorių kroviklį į elektros tinklą, kaip parodyta paveikslėlyje
 - įstatykite akumuliatorių bateriją į kroviklį
 - užsiedgs raudona lemputė H, signalizuojanti, kad baterija yra kraunama
 - raudona lemputė H degs tol, kol baterija prijungta prie kroviklio, o šis įjungta į el. lizdą
- ! **baigę krauti, iš karto išimkite bateriją iš kroviklio; tuomet ji ilgiau tarnaus**
- SVARBI INFORMACIJA:
 - po maždaug 3 valandų baterija bus įkrauta ir ją bus galima naudoti

- krovimo metu akumulatorius ir kroviklis įkaista; tai yra normalus reiškinys, nesusijęs su koku nors prietaiso gedimu
- prieš įdėdami bateriją į kroviklį patikrinkite, ar jos paviršius švarus ir sausas
- nekraukite baterijos, jei aplinkos temperatūra didesnė, nei 45°C ar žemesnė, nei 0°C; galite sugadinti kroviklį ir bateriją
- draudžiama išimti bateriją iš veikiančio prietaiso
- ! **naujas arba ilgą laiką nenaudotas akumulatorius visą galimą išvystys tik po maždaug 5 įkrovimo/iškrovimo ciklų**
- nereikia iš naujo krauti baterijos kiekvieną kartą trumpai padirbus su prietaisu, nes trumpėja jos tarnavimo laikas
- jei ilgą laiką nenaudojate prietaiso, ištraukite baterijos kroviklio kištuką iš elektros lizdo
- Įjungimas/išjungimas ⑪
- Greičio reguliavimas, švelniai pradėdamas gręžimą ⑫
- Sukimosi krypties perjungiklis ⑬
 - kol šis perjungiklis neužsifiksavo kairėje arba dešinėje padėtyje, negalėsite nespausti jungiklio A ②
- ! **sukimosi kryptį perjungti tik prietaisui visiškai sustojus**
- Antgalių pakeitimas ⑭
 - darbo antgalį įstatykite į gręžimo patroną kiek galima giliau
- ! **naudokite antgalių su pažeistu kotu**
- Sukimo momento reguliatorius (VariTorque) ⑮
 - sukimo momentas didėja, perstatant sankabos nustatymo žiedą D nuo 1-mos iki 5-tos padėties; padėtyje E sankaba yra užblokuojama - tuomet galima atlikti sunkius gręžimo ir varžtų sukimo darbus
 - sukdami varžtus pradėkite nuo VariTorque žiedo padėties 1 ir tik po to palaipsniui didinkite sukimo momentą, kol pasieksite pageidaujamą įsukimo gylį
- Prietaiso laikymas ir valdymas ⑯
 - ! **dirbdami laikykite prietaisą už pilkos spalvos suėmimo vietos(-ų)**
 - ventiliacines angas F ② laikykite neuždengtas
 - nespauskite prietaiso pernelyg stipriai; tegul prietaisas dirba už Jus

NAUDOJIMO PATARIMAI

- Naudokite tinkamus darbo antgalius ⑰
 - ! **naudokite tik aštirus antgalius**
- Gręžiant metalą
 - jei reikia gręžti didelio skersmens skylę, prieš tai išgręžkite mažą skylutę
 - retkarčiais patepkite gražtą alyva
- Prieš sukanč varžtą medinio ruošinio pakraštyje, visų pirma reikia išgręžti skylutę, kad medis nesuskiltų
- Norėdami pasiekti optimalius rezultatus, sukdami varžtą (ypač jį išsukdami) pastoviai laikykite prietaisą prispausta
- Sukant varžtą į kietmedį, prieš tai reikėtų išgręžti skylutę
- Medžio gręžimas be atplaišų ⑱
- Mūro sienos gręžimas be dulkių ⑲
- Lubų gręžimas be dulkių ⑳
- Plytelių gręžimas be įskilimų ㉑
- Daugiau patarimų rasite internete www.skil.com

PRIEŽIŪRA / SERVISAS

- Šis prietaisas neskirtas profesionaliam naudojimui
- Prižiūrėkite prietaisą ir kroviklį, kad jie visuomet būtų švarūs
 - baterijų kroviklio kontaktus geriausia valyti alkoholiu arba specialiu kontaktų valikliu
- ! **prieš valydami kroviklį ištraukite kištuką iš el. tinklo lizdo**
- Jeigu prietaisas/jkroviklis, nepaisant gamykloje atliekamo kruopštaus gamybos ir kontrolės proceso, vis dėlto sugestų, jo remontas turi būti atliekamas įgaliotose SKIL elektrinių įrankių remonto dirbtuvėse
 - **neišardytą** prietaisą arba kroviklį kartu su pirkimo čekiu siųskite tiekėjui į artimiausią SKIL firmos įgaliotą elektros prietaisų techninio aptarnavimo tarnybą (adresus bei atsarginių dalių brėžinius rasite www.skil.com)
 - jei įkroviklis turi trūkumų, siųskite **ji kartu su baterija** pardavėjui ar į bendrovės SKIL techninės priežiūros tarnybą

APLINKOSAUGA

- **Nemeskite elektrinių įrankių, papildomos įrangos ir pakuotės į buitinių atliekų konteinerius** (galioja tik ES valstybėms)
 - pagal ES Direktyvą 2012/19/EG dėl naudotų elektrinių ir elektroninių prietaisų atliekų utilizavimo ir pagal vietinius valstybės įstatymus atitarnavę elektriniai įrankiai turi būti surenkami atskirai ir gabenami į antrinių žaliavų tvarkymo vietas, kur jie turi būti sunaikinami ar perdirbami aplinkai nekenksmingu būdu
 - apie tai primins simbolis ⑧, kai reikės išmesti atitarnavusį prietaisą
- Baterijos negalima išmesti kartu su buitinėmis atliekomis, ją reikia atiduoti sunaikinimui ar perdirbimui pagal galiojančių įstatymų reikalavimus (apie tai primins simbolis ⑨)
 - ! **prieš išmesdami bateriją apvyniokite jos galus, kad netyčia nekiltų paviršinio nuotėkio srovė**

ATITIKTIES DEKLARACIJA CE

Akumulatorinis gręžtuvas/suktuvas 2395

Techniniai duomenys ①

- Atsakingai pareiškiami, kad skyrįje "Techniniai duomenys" aprašytas gaminyje atitinka žemiau pateiktus standartus ir norminius dokumentus: EN 60745 (prietaisas), EN 60335 (įkroviklis), EN 61000, EN 55014 pagal direktyvą 2006/42/EB, 2014/35/ES, 2014/30/ES, 2011/65/ES reikalavimus
- **Techninė byla laikoma:** SKIL Europe BV (PT-SEU/ENG1), 4825 BD Breda, NL

Marijn van der Hoofden Olaf Dijkgraaf
Operations & Engineering Approval Manager

SKIL Europe BV, 4825 BD Breda, NL

21.10.2014

TRIUKŠMINGUMAS/VIBRACIJA

- Šio prietaiso triukšmingumas buvo išmatuotas pagal EN 60745 reikalavimus; keliamo triukšmo garso slėgio lygis siekia <70 dB(A) (standartinis nuokrypis: 3 dB) ir vibracijos pagreitis rankos plaštakos srityje tipiniu atveju yra mažesnis, kaip * m/s² (paklaida K = 1,5 m/s²)
 - * gręždami metalo <2,5 m/s²
 - * sukant varžtą <2,5 m/s²
- Vibracijos sklaidos lygis išmatuotas pagal standarte EN 60745 išdėstytus standartizuoto bandymo reikalavimus; ši vertė gali būti naudojama vienam įrankiui palyginti su kitu bei išankstiniam vibracijos poveikiui įvertinti, kai įrankis naudojamas paminėtais būdais
 - naudojant įrankį kitokiais būdais arba su kitokiais bei netinkamai prižiūrimais priedais, gali žymiai **padidėti** poveikio lygis
 - laikotarpiams, kai įrankis išjungtas arba yra įjungtas, tačiau juo nedirbama, gali žymiai **sumažėti** poveikio lygis
- ! **apsisaugokite nuo vibracijos poveikio prižiūrėdami įrankį ir jo priedus, laikydami rankas šiltai ir derindami darbo ciklus su pertraukėlėmis**

MK

Акумуляторска дупчалка/ одвртувач

2395

УПАТСТВО

- Алатот е предвиден за дупчење во дрво, метал, цигли, камен, керамика и пластика; алатите со електронска контрола на брзината и лева/десна ротација се исто така соодветни за навртување на штрафови
- Овој алат не е наменет за професионална употреба
- Внимателно прочитајте го и зачувајте го ова упатство за ракување ③

ТЕХНИЧКИ ПОДАТОЦИ ①

Максимален обрт за примена како шрафцигер според ISO 5393 : 26 Nm

ЕЛЕМЕНТИ НА АЛАТОТ ②

- A** Прекинувач за вклучување/исклучување и контрола на брзината
- B** Прекинувач за менување на насоката на вртење
- C** Брзоостегачка глава
- D** Прстен за контрола на вртежниот момент
- E** Заклучена позиција (спојка)
- F** Отвори за вентилација
- G** Полнач
- H** Црвена лампичка на полначот

БЕЗБЕДНОСТ

ОПШТИ УПАТСТВА ЗА БЕЗБЕДНОСТ

⚠ ПРЕДУПРЕДУВАЊЕ! Сите упатства мора да се прочитаат. Непочитување на долу наведените

упатства може да предизвика струен удар, пожар и/или тешки повреди. **Чувајте ги сите предупредувања и напатствија за во иднина.** Поимот “електричен алат”, кој се користи во понатамошниот текст, се однесува на вашиот електричен алат (со приклучен кабел) и на електрични алати со погон на батерии (без приклучен кабел).

1) БЕЗБЕДНОСТ НА РАБОТНОТО МЕСТО

- a) **Одржувајте го вашето работно место чисто и уредно.** Неуреден или темен работен простор може да предизвикаат незгоди.
- b) **Немојте да работите со уредот во средина во која има опасност од експлозија, во која има запалливи течности, гасови и прашина.** Електричните алати произведуваат искри кои можат да запалат прашина или пареа.
- c) **За време на употребата на електричниот алат, децата и останатите лица држете ги подалеку од местото на работите.** Одвркање, би можеле да изгубите контрола врз уредот.

2) ЕЛЕКТРИЧНА СИГУРНОСТ

- a) **Утинач мора да одговара на приклучокот. Никако не смее да се прават измени на штекерот. Не користете адаптерски штекер заедно со уредот кој е заштитно заземјен.** Не променети штекери и соодветни приклучоци го намалуваат ризикот од електричен удар.
- b) **Избегнувајте допир на телото со заземјени површини, како што се цевни, радијатори, рерни и фрижидери.** Постои зголемена опасност од струен удар, доколку Вашето тело е заземјено.
- c) **Чувајте го уредот подалеку од дожд и влага.** Продирањето на вода во електричниот уред ја зголемува опасноста од струен удар.
- d) **Не злоупотребувајте го приклучниот кабел за носење, бесење на уредот или за извлекување на штекерот од мрежниот приклучок. Чувајте го кабелот подалеку од топлина, масло, остри рабови или деловите на апаратот кои се движат.** Оштетени или заплеткани кабли ја зголемуваат опасноста од струен удар.
- e) **Кога го употребувате полначот надвор, користете продолжен кабел кој е соодветен за употреба на отворен простор.** Примената на продолжен кабел соодветен за работа на отворен простор ја намалува опасноста од струен удар.
- f) **Доколку не може да се избегне работа со електричниот алат во влажна средина, користете прекинувач за струјна заштита при технички проблеми.** Употребата на прекинувачот за струјна заштита при технички проблеми го намалува ризикот од електричен удар.

3) БЕЗБЕДНОСТ НА ЛУЃЕ

- a) **Бидете внимателни, внимавајте што правите и постапувајте внимателно додека работите со електричниот алат. Не работете со уредот доколку сте уморни или под дејство на дрога, алкохол или лекови.** Еден момент на невнимание при употребата може да доведе до сериозни повреди.
- b) **Носете ја личната заштитна опрема и сеногаш носете заштитни очила.** Носењето на личната

заштитна опрема, како што е маската за прашина, безбедносната облека која не се лизга, заштитен шлем или штитник за слух, зависно од видот и примената на електричниот алат, ја намалува опасноста од повреди.

- c) **Избегнувајте невнимателно вклучување за време на работата. Осигурајте се прекинувачот да биде во “OFF” позиција пред да го ставите штекерот во приклучокот.** Доколку го носите електричниот алат со прстот на прекинувачот или го приклучувате апаратот кој е приклучен со напојување на струја, може да предизвикате незгоди.
 - d) **Пред вклучување на уредот, тргнете ги алатите за подесување или клучот за навртување.** Алатот или клучот кој се наоѓа во вртливиот дел на уредот, може да предизвика незгода.
 - e) **Не ги преценувајте своите способности. Завземете сигурен и стабилен став и во секој момент одржувајте рамнотежа.** На тој начин можете подобро да го контролирате уредот во неочекувани ситуации.
 - f) **Носете соодветна облека. Не носете широка облека или налит. Косата, облеката и раканиците држете ги подалеку од деловите кои се движат.** Комотната облека, накитот или долгата коса може да бидат фатени во деловите кои се движат.
 - g) **Доколку може да се монтираат направи за вшмукување и фаќање прашина, проверете дали се вклучени и дали можат исправно да се користат.** Примената на овие направи ја намалува опасноста од прашината.
- ### 4) ВНИМАТЕЛНА УПОТРЕБА И РАКУВАЊЕ СО ЕЛЕКТРИЧНИТЕ АЛАТИ
- a) **Не го преоптеретувајте уредот. При вашата работа користете го предвидениот електричен алат за таа употреба.** Со соодветниот електричен алат ќе работите подобро и посигурно во наведената функционална област.
 - b) **Не користете електричен алат чиј прекинувач е неисправен.** Електричниот алат кој повеќе не може да се вклучува и исклучува е опасен и мора да се поправи.
 - c) **Извлечете го штекерот од приклучокот пред извршување на било какви подесувања на апаратот, замена на приборот или складирање.** Со овие мерки на внимателност ќе се избегне невнимателното вклучување на уредот.
 - d) **Тргнете го електричниот алат кој не го користите од допирот на децата. Не допуштајте работа со уредот на лица кои не се запознаени со него или кои го немаат прочитано ова упатство.** Електричните алати се опасни доколку со нив работат неискусни лица.
 - e) **Одржувајте го уредот со внимание. Имајте контрола околу тоа дали движечните делови на уредот работат беспрекорно и дали не се заглавени, дали деловите се скршени или оштетени до таа мерка што не може да се обезбеди функционирање на уредот. Пред примената, овие оштетени делови треба да се**

поправат. Причина за многу незгоди е лошо одржуваниот електричен алат.

- f) **Алатите за сечење одржувајте ги остри и чисти.** Внимателно одржуваните алати за сечење со остри очтрици помалку ќе се заглавуваат и со нив работата ќе биде полесна.
 - g) **Електричниот алат, прибор, работни алати итн., треба да ги користите според овие упатства, и на начин кој е опишан за соодветниот тип на уред. При тоа, земете ги предвид работните услови и работата која се извршува.** Употребата на електричните алати за други цели кои не се предвидени, може да предизвика опасни ситуации.
- 5) ВНИМАТЕЛНО РАКУВАЊЕ И КОРИСТЕЊЕ НА АПАРАТ СО АКУМУЛАТОР**
- a) **Полнете го акумулаторот само во апаратите за полнење кои се пропишани од страна на производителот.** За апаратот за полнење кој е соодветен за определен вид на акумулатори, постои опасност од пожар, доколку се употребува со други акумулатори.
 - b) **Користете ги електричните алати само со специфично назначени пакувања на батерии.** Користењето на друг вид на батерии може да доведе до ризик од повреда или пожар.
 - c) **Кога батериите не се користат, држете ги настрана од метални предмети како штрафчиња, парички, клучеви, клинчи, навртни или други, мали предмети кои може да направат краток спој.** Краткиот спој кај батериите може да предизвика изгореници или пожар.
 - d) **При погрешна примена може да излезе течност од акумулаторот; избегнувајте контакт со неа. При случаен контакт, измијте се со вода. Ако течноста дојде во допир со очите, побарајте и лекарска помош дополнително.** Течноста која може да излезе од акумулаторот може да доведе до надразнување на кожата и изгореници.
- 6) СЕРВИСИРАЊЕ**
- a) **Поправката на Вашиот уред препуштете им ја само на обучен, стручен кадар на овластен сервисер, и само со оригиналните резервни делови.** На тој начин ќе се обезбеди уредот да остане со зачувана безбедност.

БЕЗБЕДНОСНИ УПАТСТВА ЗА АКУМУЛАТОРСКИ ДУПЧАЛКИ/ОДВРТУВАЧКИ

- Избегнувајте оштетувања од штрафови, шајки и други предмети во местото каде работите; тргнете ги пред да почнете со работа
- Секогаш проверувајте го напонот на плочката со податоци за типот на полначот
- Во случај да дојде до електричен или механички дфект, апаратот треба веднаш да се исклучи и да се извлече приклучникот од мрежната приклучница
- SKIL може да признае гаранција само доколку е користен оригинален прибор
- Користете само прибор чија дозволена брзина е во најмала рака еднаква на најголемата брзина при празен од на електричниот алат
- Алатот/полначот не се наменети за употреба од страна на лица (вклучително и деца со намалени

физички, чувствителни или ментални способности, без искуство и познавања, освен ако не се под надзор или ако не се обучени за употребата на алатот/полначот од страна на лице кое што е одговорно за нивната безбедност

- Обезбедете децата да не си играат со алатот/полначот
- **Зацврстете го материјалот кој го обработувате** (обработка која е зацврстена со стеги или во менгеме е побезбедна отколку да ја држите со раце)
- **Држете го алатот за изолираните површини за зафаќање нога извршувате работа при која што дополнителната опрема за сечење или зацврстување може да дојде во контакт со сокриените жици или со кабелот** (ако дополнителната опрема за сечење и зацврстување дојдат во контакт со жица под напон може да ги електрифицираат металните делови на алатот и да предизвикаат електричен удар на операторот)
- **Користете соодветни детентори за наоѓање на скриени инсталации или повикајте соодветна компанија за помош** (контактот со електричните линии може да доведе до струен удар; оштетувањата во гасоводна цевка може да резултира со експлозија; пенетрирање во водоводна инсталација може да доведе до оштета на предмети или електричен удар)
- **Не обработувајте никанов материјал кој содржи азбест** (азбестот важи за предизвикувач на рак)
- Прашината од материјали како боја која содржи олово, некои видови дрво, минерали и метали, може да биде штетна за здравјето (контактот со прашина или нејзиното вдишување може да предизвика алергии и/или болести на дишните органи за оној кој работи со алатот или луѓето во близина); **носете маска за прашина и работете со правосмукални доколку можете да ги поврзете**
- Некои видови на прашина се канцерогени (како на пример прашина од даб или бука), особено заедно со адитиви за одржување на дрвото; **носете маска за прашина и работете со правосмукални доколку можете да ги поврзете**
- Следете ги процедурите на вашата земја за прашина која се јавува како резултат од материјалите со кои работите
- При промена на приборот, пренесување или прибирање на алатот, задолжително поставете го прекинувачот В 2 во средна позиција (заклучено)

ПОЛНЕЊЕ/АКУМУЛАТОРСКА БАТЕРИЈА

- Батеријата полнете ја исклучиво со спорачаниот полнач
- Не ги допирајте контактите во полначот
- Никогаш не ги изложувајте на дожд апаратот/полначот/батеријата
- Секогаш чувајте ги апаратот/полначот/батеријата во просторија на температура пониска од 40°C и повисока од 0°C
- Не полнете ја батеријата на влажни или мокри места
- Во допир со оган батериите ќе експлодираат, затоа не ги палете батериите од која било причина
- Оштетените полначи не ги пуштајте во работа; за таа цел треба да се предаде апаратот и полначот во овластениот SKIL сервис

- Полначот не треба понатаму да се користи ако е оштетен кабелот или приклучникот, туку веднаш да се замени кабелот во овластен SKIL сервис или мрежната приклучница
- Оштетената батерија не треба понатаму да се користи туку веднаш да се замени
- Никогаш не ги расклопувајте ниту заменувајте полначот или батеријата
- Не се обидувајте со полначот да ги полните батериите што не се предвидени за полнење

ОБЈАСНУВАЊЕ НА СИМБОЛИТЕ ЗА ПОЛНАЧОТ/ БАТЕРИЈАТА

- ③ Пред употреба прочитајте го прирачникот за употреба
- ④ Користете го полначот само во затворен простор
- ⑤ Двојна изолација (не е потребна заземна жица)
- ⑥ Погрешниот поларитет на спојот на полначот може да предизвика проблем (полните ја батеријата само со полначот што сте го добиле со апаратот)
- ⑦ Автоматско исклучување кога ќе се прегрее полначот (термичкиот осигурувач паѓа, па полначот станува бескорисен)
- ⑧ Не го фрлајте полначот во домашниот отпад
- ⑨ Не ја фрлајте батеријата во домашниот отпад

УПОТРЕБА

- Полнење на акумулаторска батерија ⑩
 - акумулаторските батерии на новите апарати не се потполно наполнети
 - полначот приклучете го на мрежен напон како на илустрацијата
 - батеријата ставете ја во полначот
 - се пали црвената лампичка H која покажува дека батеријата се полни
 - црвената лампичка H останува запалена сè додека батеријата е приклучена на полначот и полначот е приклучен на сидна приклучница
- ! откога батеријата ќе се наполни треба да се извади од полначот, со што се продолжува векот на траење на батеријата**

ВАЖНО:

- по 3 часа, операцијата за полнење ќе заврши и батеријата може да се користи
- при полнење полначот и батеријата се загреваат; тоа е нормално и не претставува никаков проблем
- надворешните површини на батеријата треба да бидат суви и чисти, пред да се стави батеријата во полначот
- кај температури пониски од 0°C и повисоки од 45°C треба да се избегнува полнење; со тоа може да се оштети полначот и акумулаторската батерија
- батеријата не смее да се вади во текот на работата на апаратот

! новата акумулаторска батерија или онаа што не се користела подолго време, ќе даде свој полн ефект приближно по 5 циклуси полнење/ празнење

- акумулаторската батерија не смее повторно да се полни по секоја кратка работа; тоа може да резултира со скратување на нејзиниот век на

траење и намалување на ефикасноста на акумулаторската батерија

- доколку не го користете уредот подолго време, извлечете го мрежниот приклучок на полначот од приклучницата
- Вклучено/Исклучено ⑪
- Заочување на прекинувачот за лесен старт ⑫
- Промена на насоката на ротација ⑬
 - ако левата/десната позиција не легнат како што треба, прекинувачот A ② нема да може да стартува
- ! менувајте ја насоката на ротацијата само кога алатот се наоѓа во целосно мирување**
- Промена на бургиите ⑭
 - вметнете ја бургијата најдлабоко што можете во држачот
 - ! не употребувајте бургии со оштетена дршка**
- Контрола на вртежниот момент (VarTorque) ⑮
 - излезниот обрт ќе се зголемува ако прстенот на активаторот D се врти од 1 кон 5; позицијата E ќе го заклучи активаторот за да се овозможи дупчење или извршување тежки работи
 - при завртување на некоја завртка најпрво започнете со положбата 1 (VarTorque) и потоа полска зголемувајте до достигнување на саканата длабочина
- Држење и насочување на алатот ⑯
 - ! додена работите, секогаш држете го алатот за местото (местата) кое (кои) се означени со сива боја**
 - отворите за ладење F ② држете ги отворени
 - не притискајте премногу со алатот; дозволете го сам да работи

СОВЕТИ ЗА ПРИМЕНА

- Користете соодветни бургии ⑰
 - ! употребувајте само остри бургии**
- При дупчење во метал
 - најпрво издупчете помала дупка, кога сакате да издупчите поголема дупка
 - бургијата подмачкувајте ја со масло од време на време
- При навртување на штрафовите на краевите на дрвото, прво треба да се издупчи мала дупка за да се избегне разлитување на дрвото
- За оптимална употреба на апаратот потребен е постојан притисок на завртката, особено во текот на одвртувањето
- При завртување на завртката во тврдо дрво претходно треба да се издупчи дупка
- Дупчење на дрво без разлитување ⑱
- Дупчење на дрво без прашина ⑲
- Дупчење на таван без прашина ⑲
- Дупчење на плочки без лизгање ⑲
- Многу други совети можете да најдете на www.skil.com

ОДРЖУВАЊЕ/СЕРВИСИРАЊЕ

- Овој алат не е наменет за професионална употреба
- Секогаш одржувајте го чист апаратот и полначот
 - исчистете ги контактите на полначот или со алкохол или со чистач за контакти


! пред чистењето на полначот треба да се извлече неговиот мрежен приклучок

- Доколку алатот/полначот и покрај внимателното работење и контрола некогаш откаже, поправката мора да ја изврши некој овластен SKIL сервис за електрични алати
 - во случај на примедба, испратете го алатот или полначот **нерасклопен**, заедно со сметкопотврдата, до вашиот продавач или најблискиот SKIL сервис (адресите се наведени на www.skil.com)
 - ако полначот се расипе, испратете ги **и полначот и батеријата** на застапникот или во сервис на SKIL

ЗАШТИТА НА ЖИВОТНАТА СРЕДИНА

- **Не се ослободувајте од елентични алати, уреди или амбалажа преку нивно фрлање во домашното губре** (само за земјите на ЕУ)
 - според Европската Директива 2012/19/ЕС за ослободување од електрична и електронска опрема и нејзина имплементација во согласност со националните закони, електричните алати кои го достигнале крајот на својот животен век мора да бидат собрани посебно и да бидат вратени во соодветен објект за рециклирање
 - симболот  ќе ве потсетува на ова кога ќе дојде време алатот да го фрлите
- Акумулаторската батерија треба прописно да се отстрани во отпад и не смее да се фрла во домашниот отпад (на тоа потсетува симболот )
! пред да се фрли акумулаторската батерија во отпад, заштитите ги нејзините полови

ДЕКЛАРАЦИЈА ЗА УСОГЛАСЕНОСТ CE

Акумулаторска дупчалка/одвртувач 2395
Технички податоци 

- Со целосна одговорност изјавуваме дека производот опишан кај "Технички податоци" е усогласен со следните стандарди или документи за стандардизација: EN 60745 (алат), EN 60335 (полнач), EN 61000, EN 55014 во согласност со одредбите во директивите 2006/42/EG, 2014/35/EU, 2014/30/EU, 2011/65/EU
- **Техничко досие во:** SKIL Europe BV (PT-SEU/ENG1), 4825 BD Breda, NL

Marijn van der Hoofden
Operations & Engineering

Olaf Dijkgraaf
Approval Manager

SKIL Europe BV, 4825 BD Breda, NL

21.10.2014

БУЧАВА/ВИБРАЦИИ


- Мерено во согласност со EN 60745 нивото на звучен притисок е <70 dB(A) (стандардно отстапување: 3 dB) и вибрација * m/c^2 (hand-arm метода; несигурност $K = 1.5 m/c^2$)
 - * при дупчење во метал <2.5 m/c^2
 - * при зашрафување <2.5 m/c^2
 - Нивото на емитување на вибрации кое е наведено на задниот дел на ова упатство е измерено во согласност со стандардизираниот тест даден во EN 60745; може да се користи за да се спореди еден алат со друг, и како првична оценка за изложеноста на вибрации кога се користи алатот за споменатите примени
 - користењето на алатот за разни примени, или со различни или неправилно чувани делови, може да доведе до значајно **зголемување** на нивото на изложеност
 - кога алатот е исклучен или кога алатот е вклучен но не врши некаква работа, може да дојде до значително **намалување** на нивото а изложеност
- !** **заштитете се од ефектите на вибрациите преку одржување на алатот и неговите делови, одржување на топлината во вашите раце, и организирање на вашата работа**

AL

Trapano/vidator me bateri

2395

HVRJE

- Kjo pajisje është e projektuar për shpime në dru, metal, tullë, qur, qeramikë dhe plastikë; veglat me kontroll automatik të shpejtësisë dhe rrotullim majtas/djathtas janë po ashtu të përshatshme për vidhosje dhe prerje me filetim
- Kjo vegël nuk është e projektuar për përdorim profesional
- Lexoni dhe ruani këtë manual të përdorimit 

TË DHËNAT TEKNIKE

Forca maksimale e rrotullimit për veprime vidhosjeje të forta sipas ISO 5393 : 26 Nm

ELEMENTET E PAJISJES

- A** Çelësi për ndezje/fikje dhe kontrolli i shpejtësisë
- B** Çelësi për ndryshimin e drejtimimit ose të rrotullimit
- C** Mandrina pa çelës
- D** Unaza për kontrollin e forcës së rrotullimit
- E** Pozicioni i bllokimit (freksioni)
- F** Të çarat e ajrosjes
- G** Karikuesi
- H** Drita e kuqe e karikimit

SIGURIA

UDHËZIMET E PËRGJITHSHME PËR SIGURINË

! **PARALAJMËRIM!** Lexoni të gjitha paralajmërimet e sigurisë dhe të gjitha udhëzimet. Mosrespektimi i

paralajmërimeve dhe udhëzimeve mund të rezultojnë në goditje elektrike, zjarr dhe/ose dëmtime të rënda. **Ruani të gjitha paralajmërimet dhe udhëzimet për referencë në të ardhmen.** Termi "pajisje elektrike" në paralajmërimet i referohet pajisjes elektrike që përdoret nga prizat (me kablo) ose pajisjes elektrike me bateri (pa kablo).

1) SIGURIA E ZONËS SË PUNËS

- a) **Mbajeni zonën e punës të pastër dhe të ndriçuar mirë.** Zonat e çrregullta ose të errëta janë një ftesë për aksidente.
- b) **Mos i përdorni pajisjet elektrike në situata me mundësi shpërthimi, si në prani të lëngjeve, gazeve ose pluhurave të djegshëm.** Pajisjet elektrike shkaktojnë shkëndija që mund të ndezin pluhurat ose avujt.
- c) **Mbajini fëmijët dhe personat e tjerë larg gjatë përdorimit të veglës së punës.** Tërheqja e vëmendjes mund të shkaktojë humbjen e kontrollit.

2) SIGURIA ELEKTRIKE

- a) **Spinat e veglës së punës duhet të përputhen me prizën.** Mos modifikoni kurrë spinën në asnjë mënyrë. Mos përdorni asnjë spinë përshtatëse me veglat e punës me tokëzim. Spinat e pamodifikuara dhe prizat përshtatëse do të zvogëlojnë rrezikun e goditjes elektrike.
- b) **Shmangni kontaktin trupor me sipërfaqe të tokëzuara si tuba, radiatorë, soba dhe frigoriferë.** Ka një rrezik më të madh të goditjes elektrike nëse trupi është i tokëzuar.
- c) **Mos ekspozoni veglat e punës në shi ose në kushte me lagështi.** Uji që hyn në veglën e punës do të rritë rrezikun e goditjes elektrike.
- d) **Mos abuzoni me kordonin.** Mos e përdorni kurrë kordonin për transportin, tërheqjen ose heqjen e spinës së veglës së punës. Mbajeni kordonin larg nga nxehësia, vaji, anët e mprehta ose pjesët që lëvizin. Kordonët e dëmtuar ose e bllokuar rrisin rrezikun e goditjes elektrike.
- e) **Kur përdorni një vegël pune në mjedise të jashtme, përdorni një kordon zgjatues të përshtatshëm për përdorim në mjedise të jashtme.** Përdorimi i një kordoni të përshtatshëm për përdorime në mjedise të jashtme zvogëlon rrezikun e goditjes elektrike.
- f) **Nëse përdorimi i veglës së punës në një vend me lagështi është i pashmangshëm, përdorni një automat qarku me shkarkesë me tokëzim.** Përdorimi i një automati me shkarkesë me tokëzim zvogëlon rrezikun e goditjes elektrike.

3) SIGURIA PERSONALE

- a) **Qëndroni në gatishmëri, shikoni se çfarë po bëni dhe përdorni gjykimin kur përdorni një vegël pune.** Mos e përdorni një vegël pune kur jeni i lodhur ose nën ndikimin e ilaçeve, alkoolit ose mjekimit. Një moment humbjeje e vëmendjes gjatë përdorimit të veglave të punës mund të shkaktojë dëmtime të rënda personale.
- b) **Përdorni pajisje personale mbrojtëse.** Mbani gjithmonë pajisje për mbrojtjen e syve. Pajisjet mbrojtëse si maska kundër pluhurit, këpucët që nuk rrëshqasin, kaskat ose pajisjet për mbrojtjen e veshjeve për kushtet përkatëse do të zvogëlojnë dëmtimet personale.

- c) **Parandaloni ndezjen e rastësishme.** Sigurohuni që çelësi është në pozicionin fikur para se të lidhni burimin e energjisë dhe/ose baterinë, para se të merrni ose të transportoni pajisjen. Transportimi i veglave të punës me gishtin në çelës ose aktivizimi i veglave të punës që kanë çelësin të ndezur është një ftesë për aksidente.
 - d) **Hiqni çdo çelës ose çelës përshtatës nga ndezjes së veglës së punës.** Një çelës i lënë i lidhur me një pjesë rrotulluese të veglës së punës mund të shkaktojë dëmtime personale.
 - e) **Mos u zgjasni.** Mbani një vendosje të mirë të këmbëve dhe një ekuilibër të mirë në çdo moment. Kjo gjë bën të mundur një kontroll më të mirë të veglës së punës në situata të papritura.
 - f) **Vishuni në mënyrën e duhur.** Mos vishni veshje të gjera ose bizhuteri. Mbani flokët, veshjet dhe dorashkat larg nga pjesët lëvizëse. Veshjet e gjera, bizhuteritë ose flokët e gjatë mund të kapen nga pjesët në lëvizje.
 - g) **Nëse janë ofruar pajisje për lidhjen e pajisjeve të mbledhjes dhe nxjerrjes së pluhurave, sigurohuni që ato të jenë të lidhura dhe të përdoren si duhet.** Përdorimi i mbledhjes së pluhurave mund të zvogëlojë rrezikun në lidhje me pluhurat.
- ### 4) PËRDORIMI DHE KUJDESIA PËR VEGLËN E PUNËS
- a) **Mos ushtroni forcë mbi veglën e punës.** Përdorni veglën e punës të duhur për përdorimin tuaj. Vegla e punës e duhur do të realizojë një punë më të mirë dhe më të sigurt dhe me shpejtësinë që ajo është e projektuar.
 - b) **Mos përdorni veglën e punës nëse çelësi nuk e ndez apo e fik.** Çdo vegël pune që nuk mund të kontrollohet me anë të çelësit është e rrezikshme dhe duhet të riparohet.
 - c) **Shkëputni spinën nga burimi i energjisë dhe/ose baterinë nga vegla e punës para se të bëni rregullime të tjera, të ndryshoni aksesorët ose të ruani veglat e punës.** Këto masa parandaluese të sigurisë ulin rrezikun e ndezjes aksidentale të veglës së punës.
 - d) **Mbani veglat e punës larg fëmijëve dhe mos lejoni personat e pamësuar me veglën e punës ose këto udhëzime për përdorimin e pajisjes.** Veglat e punës janë të rrezikshme në duart e përdoruesve të patrajnuar.
 - e) **Mirëmbani veglat e punës.** Kontrolloni për mospërshtatje ose bllokim të pjesëve lëvizëse, thyerje të pjesëve dhe gjendje të tjera që mund të ndikojnë në funksionimin e veglës së punës. Nëse dëmtohet, riparoheni veglën e punës para përdorimit. Shumë aksidente shkaktohen nga veglat e punës jo të mirëmbajtura si duhet.
 - f) **Mbajini pajisjet prerëse të pastra dhe të mprehta.** Pajisjet e prerjes të mirëmbajtura dhe me anë të mprehta kanë më pak mundësi për t'u bllokuar dhe janë më të lehta për t'u kontrolluar.
 - g) **Përdorni veglat e punës, aksesorët dhe puntot, etj. në përputhje me këto udhëzime, duke marrë parasysh kushtet e punës dhe punën që do të kryhet.** Përdorimi i veglave për përdorime të ndryshme nga ato të përcaktuara mund të shkaktojë rreziqe.

5) PËRDORIMI DHE KUJDESI PËR VEGLËN ME BATERI

- a) **Karikojeni vetëm me karikuesin e përcaktuar nga prodhuesi.** Një karikues që është i përshtatshëm për një lloj baterie mund të krijojë rrezik për zjarr kur përdoret me një bateri tjetër.
- b) **Përdorni veglat e punës vetëm me bateritë e përcaktuara respektivisht.** Përdorimi i çdo baterie tjetër mund të krijojë rrezik për dëmtime dhe zjarr.
- c) **Kur bateria nuk është në përdorim, mbajeni larg nga objektet e tjera metalike si kapëset e letrës, monedhat, çelësat, gozhdët, vidat ose objektet e tjera të vogla metalike që mund të bëjnë lidhjen e një terminali me terminalin tjetër.** Lidhja e shkurtër e terminalëve të baterisë mund të shkaktojë djegie ose zjarr.
- d) **Në kushte abuzimi, nga bateria mund të rrjedhin lëngje; shmangni kontaktin me to. Në rast se ndodh aksidentalisht kontakti, shpëlaheni me ujë. Në rast se lëngu bie në kontakt me sytë, kërkoni edhe ndihmë mjekësore.** Lëngu i rrjedhur nga bateria mund të shkaktojë acarime ose djegie.

6) SHËRBIMI

- a) **Shërbimi i veglës së punës duhet të kryhet nga një person i kualifikuar për riparimet duke përdorur vetëm pjesë ndërrimi identike.** Kjo gjë do të sigurojë ruajtjen e sigurisë së veglave të punës.

UDHËZIMET E SIGURISË PËR TRAPAN/VIDATORIN ME BATERI

- Shmangni dëmtimet që mund të shkaktohen nga vidat, gozhdët dhe elementet e tjera në materialin e punës; hiqni ato para se të filloni punën
- Kontrolloni gjithmonë që voltazhi i energjisë të jetë i njëjtë me voltazhin e treguar në etiketën e karikuesit
- Në rast defekti elektrik ose mekanik, fikni menjëherë pajisjen ose hiqni karikuesin nga burimi i energjisë
- SKIL mund të garantojë funksionimin pa probleme të veglës vetëm kur përdoren aksesorët origjinalë
- Përdorni vetëm aksesorë me një shpejtësi të lejuar që përshtatet të paktën me shpejtësinë më të lartë pa ngarkesë të pajisjes
- Vegla/karikuesi nuk është projektuar për t'u përdorur nga persona (përfshirë fëmijët) me kapacitete të zvogëluara fizike, ndijore ose mendore, ose me mungesë të përvojës dhe njohurive, nëse nuk janë udhëzuar ose mbikëqyrur në lidhje me përdorimin e veglës/karikuesit nga një person përgjegjës për sigurinë e tyre.
- Sigurohuni që fëmijët të mos luajnë me veglën/karikuesin
- **Sigurori materialin e punës** (një material i shtrënguar me një pajisje shtrëngimi ose morsë mbahet në mënyrë më të sigurt se sa me dorë)
- **Mbajeni veglën e punës nga sipërfaqet e izoluar të kapjes, kur kryeni një veprim ku aksorë i prerjes ose shtrënguesi mund të bien në kontakt me tela të fshehur ose me kordonin e tij** (kontakti i aksorëve të prerjes dhe shtrënguesve me një tel elektrik mund të bëjë që pjesët metalike të ekspozuara të veglës së punës të përcjellin energjinë dhe mund të shkaktojnë goditjen elektrike të operatorit)
- **Përdorni detektorë përkatës për të gjetur linjat e fshehura të shërbimit ose telefononi kompaninë lokale të shërbimeve për ndihmë** (kontakti me linjat

elektrike mund të shkaktojë zjarr ose goditje elektrike; dëmtimi i një linje gazi mund të shkaktojë një shpërthim; shpimi i një tubi uji do të shkaktojë dëmtim të pronës ose një goditje elektrike)

- **Mos punoni me materiale që përmbajnë asbest** (asbesti konsiderohet kancerogjen)
- Pluhurat nga materialet si boja me plumb, disa lloje drurësh, mineralesh dhe metalesh mund të jenë të dëmshme (kontakti ose thithja e pluhurave mund të shkaktojë reagime alergjike dhe/ose sëmundje respiratore për përdoruesin ose personat përreth); **mbani një maskë për pluhurat dhe punoni me një pajisje për heqjen e pluhurave kur mund të lidhet**
- Disa lloje pluhurash kanë klasifikuar si kancerogjene (si pluhuri i lisit dhe i ahut) veçanërisht në ndërthurje me lëndët shtesë për kondicionimin e drurit; **mbani një maskë për pluhurat dhe punoni me një pajisje për heqjen e pluhurave kur mund të lidhet**
- Respektoni kërkesat kombëtare në lidhje me pluhurat për materialet me të cilat dëshironi të punoni
- Sigurohuni që çelësi B ② të jetë në pozicionin e mesit (bllokues) para se të bëni ndonjë rregullim ose të ndërroni aksesorët, si dhe kur transportoni ose magazinoni veglën

NDËRRIMI I BATERIVE

- Ndërroni baterinë vetëm me karikuesin që është siguruar me veglën
- Mos i prekni kontaktet në karikues
- Mos e ekspozoni veglën/karikuesin/baterinë në shi
- Ruajeni veglën/karikuesin/baterinë në vende ku temperatura nuk do të kalojë 40°C apo të bjerë nën 0°C
- Mos e karikoni baterinë në mjedise me lagështi ose të njoma
- Bateritë mund të shpërthejnë kur hidhen në zjarr, prandaj mos i digjni bateritë për asnjë arsye
- Mos e përdorni karikuesin nëse është i dëmtuar; çojeni te një nga Qendrat zyrtarisht të regjistruara të shërbimit të SKIL për një kontroll të sigurisë
- Mos e përdorni karikuesin kur kordoni ose spina janë të dëmtuara; kordoni ose spina duhet të zëvendësohen menjëherë në një nga Qendrat zyrtarisht të regjistruara të shërbimit të SKIL
- Mos e përdorni baterinë nëse është e dëmtuar; ajo duhet të zëvendësohet menjëherë
- Mos e çmontoni karikuesin ose baterinë
- Mos u përqipni të karikoni bateri të pakarikueshme me një karikues

SHPJEGIMI I SIMBOLEVE NË KARIKUES/BATERI

- ③ **Lexoni manualin e udhëzimeve para përdorimit**
- ④ Përdoreni karikuesin vetëm në ambiente të brendshme
- ⑤ Izolim i dyfishtë (nuk kërkohet tokëzim)
- ⑥ Polariteti i gabuar i lidhjes së karikuesit mund të shkaktojë një rrezik (karikojeni baterinë vetëm me karikuesin e përfshirë)
- ⑦ Fikje automatike kur karikuesi nxehet shumë (siguresa termike shpërthen dhe karikuesi bëhet i papërdorshëm)
- ⑧ Mos e hidhni karikuesin bashkë me materialet e mbetjeve familjare
- ⑨ Mos e hidhni baterinë bashkë me materialet e mbetjeve familjare

PËRDORIMI

- Karikimi i baterisë ⁽¹⁰⁾
 - bateria e veglave të reja nuk është plotësisht e karikuar
 - lidhni karikuesin me burimin e energjisë si në ilustrim
 - futni baterinë në karikues
 - drita e kuqe H do të ndizet duke treguar se bateria po karikohet
 - drita e kuqe H do të qëndrojë e ndezur për sa kohë që bateria të jetë e lidhur me karikuesin dhe karikuesi është në prizën në mur

! **hiqeni baterinë nga karikuesi pasi të përfundojë periudha e karikimit duke zgjatur kështu jetëgjatësinë e shërbimit të baterisë**

E RËNDËSISHME:

- pas 3 orësh, veprimi i karikimit do të përfundojë dhe bateria mund të përdoret
 - gjatë karikimit, karikuesi dhe bateria mund të bëhen të ngrohta në prekje; kjo është normale dhe nuk tregon një problem
 - sigurohuni që sipërfaqja e jashtme e baterisë është e pastër dhe e thatë para se ta futni në karikues
 - mos karikoni në temperatura nën 0°C dhe mbi 45°C; kjo gjë do të dëmtojë rëndë baterinë si dhe karikuesin
 - mos e hiqni baterinë nga vegla kur ajo është në përdorim
- ! një bateri që është e re ose nuk është përdorur për një periudhë të gjatë nuk e zhvillon kapacitetin e saj të plotë deri pas afro 5 ciklesh karikimi/shkarikimi**
- mos e karikoni vazhdimisht baterinë pas vetëm disa minutash përdorim; kjo gjë mund të rezultojë në ulje të kohës së përdorimit dhe të rendimentit të baterisë
 - nëse parashikoni periudha të gjata mospërdorimi të veglës, është më mirë që ta hiqni karikuesin nga burimi i energjisë

- Ndezje/Fikje ⁽¹¹⁾
- Kontrolli i shpejtësisë për ndezjen e butë ⁽¹²⁾
- Ndryshimi i drejtimit të rrotullimit ⁽¹³⁾
 - kur është vendosur si duhet në pozicionin majtas/djathtas, çelësi A ⁽²⁾ nuk mund të aktivizohet

! **ndryshoni drejtimin e rrotullimit vetëm kur pajisja të jetë plotësisht e ndaluar**

- Ndërrimi i puntovë ⁽¹⁴⁾
 - futeni puntont sa më shumë në mandrinë
- ! **mos i përdorni puntot me një bosht rrotullues të dëmtuar**
- Kontrolli i forcës rrotulluese (VariTorque) ⁽¹⁵⁾
 - forca rrotulluese rezultative do të rritet kur unaza e freksionit D rrotullohet nga 1 në 5; pozicioni E do të blloktojë freksionin për të lejuar shpimin ose vidhosjen në raste të vështira
 - kur vidhosni një vidë, në fillim provoni pozicionin VariTorque 1 dhe rriteni deri sa të arrini thellësinë e dëshiruar
- Mbatja dhe drejtimi i veglës ⁽¹⁶⁾
 - ! **gjatë punës, mbajeni gjithmonë veglën në zonën(at) e dorezës me ngjyrë gri**
 - mbajeni të çarat e ajrimit F ⁽²⁾ të pambuluara
 - mos ushtroni shumë trysni mbi pajisje; lëreni pajisjen që të punojë për ju

KËSHILLË PËR PËRDORIMIN

- Përdorni puntot e duhura ⁽¹⁷⁾
 - ! **përdorni vetëm punto të mprehta**
- Kur shpini metale ferore
 - shpini paraprakisht një vrimë të vogël, kur kërkohet një vrimë e madhe
 - lubrifikoni herë pas here me vaj puntont e shpimit
- Kur vidhosni një vidë/pranë skajit të prerjes kryq ose një skaj të drurit, shpini paraprakisht një vrimë për të shmangur krisjen e drurit
- Për një përdorim optimal të veglës kërkohet një presion i qëndrueshëm mbi vidë, veçanërisht kur ta hiqni
- Kur vidhosni në dru të fortë, duhet të shpini paraprakisht një vrimë
- Shpimi pa ashkla në dru ⁽¹⁸⁾
- Shpimi pa pluhura në mure ⁽¹⁹⁾
- Shpimi pa pluhura në tavanë ⁽²⁰⁾
- Shpimi në pllaka pa rëshqitur ⁽²¹⁾
- Për më shumë këshilla, vizitoni www.skil.com

MIRËMBAJTJA / SHËRBIMI

- Kjo vegël nuk është e projektuar për përdorim profesional
- Mbajeni veglën dhe karikuesin të pastra
 - pastroni kontaktet e karikimit në karikues me alkool ose pastrues të kontakteve
- ! **hiqeni karikuesin nga burimi i energjisë para pastrimit**
- Nëse vegla/karikuesi kanë defekt pavarësisht kujdesit të treguar në procedurat e prodhimit dhe të testimit, riparimi duhet të kryhet nga një qendër për shërbimin pas shitjes për veglat e punës të SKIL
 - dërgojeni veglën ose karikuesin **të paçmontuar** së bashku me provën e blerjes te shitësi ose qendra më e afërt e shërbimit e SKIL (adresat si dhe diagrami i shërbimit i veglës janë të renditura në www.skil.com)
 - në rast të një karikuesi me defekt, dërgoni **edhe karikuesin, edhe baterinë** te shitësi ose te qendra e shërbimit e SKIL

MJEDISI

- **Mos i hidhni veglat elektrike, aksesorët dhe paketimin së bashku me materialet e mbeturinave familjare** (vetëm për vendet e BE-së)
 - në respektim të Direktivës evropiane 2012/19/EC për pajisjet elektrike dhe elektronike si mbetje dhe zbatimin e saj në përputhje me ligjet kombëtare, pajisjet elektrike që kanë aritur në fund të jetëgjatësisë së tyre duhet të mblihdhen të ndara dhe të kthehen në një objekt riciklimi në përputhje me mjedisin.
 - simboli ⁽³⁾ do t'ju kujtojë për këtë gjë kur të jetë nevoja për t'i hedhur
- Bateria duhet të mbahet e ndarë nga mjedisi natyral dhe nuk duhet të hidhet si mbetje normale familjare (simboli ⁽⁹⁾ do t'ju kujtojë për këtë gjë kur të lindë nevoja për ta hedhur)
- ! **para hedhjes mbroni terminalet e baterisë me ngjytës të fortë për të parandaluar qarkun e shkurtër**

DEKLARATA E KONFORMITETIT CE

Trapano/vidator me bateri 2395

Të dhënat teknike ①

- Ne deklarojmë me përgjegjësinë tonë të vetme se ky produkt i përshkruar në "Të dhënat teknike" është në përputhje me standardet ose dokumentet e standardizimit si më poshtë: EN 60745 (pajisje), EN 60335 (karikuesi), EN 61000, EN 55014 në përputhje me dispozitat e direktivave 2006/42/EC, 2014/35/EU, 2014/30/EU, 2011/65/EU
- **Dosja teknike në:** SKIL Europe BV (PT-SEU/ENG1), 4825 BD Breda, Holandë

Marijn van der Hoofden
Operations & Engineering

Olaf Dijkgraaf
Approval Manager



SKIL Europe BV, 4825 BD Breda, NL

21.10.2014

ZHURMA/VIBRIMI

- E matur në përputhje me EN 60745, niveli i trysnisë së tingullit i kësaj pajisje është <70 dB(A) (shmangia standarde: 3 dB) dhe vibrimi * m/s^2 (metoda e krahut-dorës; pasiguria $K = 1,5 m/s^2$)
 - * kur shponi në metal <2,5 m/s^2
 - * kur vidhosni <2.5 m/s^2
 - Niveli i emetimit të vibrimit është matur në përputhje me një provë të standardizuar të dhënë në EN 60745; ajo mund të përdoret për të krahasuar një vegël me një tjetër dhe si një vlerësim paraprak i ekspozimit ndaj vibrimit kur përdorni pajisjen për proceset e përmendura
 - përdorimi i pajisjes për procese të ndryshme, ose me aksesorë të ndryshëm dhe të mirëmbajtur keq, mund të rritë ndjeshëm nivelin e ekspozimit
 - kohët kur pajisja është e fikur dhe kur është e ndezur por jo në punë, mund të zvogëlojnë ndjeshëm nivelin e ekspozimit
- ! mbron veten nga efektet e vibrimit duke mirëmbajtur pajisjen dhe aksesorët e saj, duke i mbajtur duart e ngrohta dhe duke organizuar mënyrën tuaj të punës**

محیط زیست

- ابزارهای برقی، لوازم و متعلقات و بسته بندی آنها را نباید همراه با زیانه های عادی خانگی دور انداخت (فقط مخصوص کشورهای عضو اتحادیه اروپا)
- با توجه به مصوبه اروپایی ۲۰۱۲/۱۹/EC اروپا درباره لوازم برقی و الکترونیکی مستعمل و اجرای این مصوبه مطابق با قوانین کشوری. ابزارهای برقی که به پایان عمر مفید خود رسیده اند باید جداگانه جمع آوری شده و به یک مرکز بازیافت مناسب و سازگار با محیط زیست انتقال یابند
- نمادعلامت (A) یادآور این مسئله در هنگام دور انداختن است
- باتری را باید دور از محیط های طبیعی نگهداری کرد و نباید آنرا همراه با زیانه های خانگی عادی دور انداخت (اگر نیاز به دورانداختن باتری باشد. علامت (3) این مسئله را به شما یادآور می شود)
- ! قبل از دور انداختن باتری حتماً باید روی پایانه های باتری را با نوار چسب سنگین بپوشانید تا اتصالاتی ایجاد نکند

اعلامیه مبنی بر رعایت استاندارد CE

مته/پیچ گمشدنی ساززی ۲۳۹۵

① اطلاعات فنی

- ما بر اساس مسئولیت انحصاری خود اعلام می نمایم که محصول شرح داده شده در قسمت «اطلاعات فنی» با استانداردها یا مستندات استاندارد شده زیر سازگاری و تطابق دارد (EN ۱۰۷۴۵ : ابزار)، EN ۱۰۳۳۵ (شارژر)، EN ۱۱۰۰۰ . EN ۵۵۰۱۴ مطابق با مفاد مصوبات ۲۰۰۱/۱۴/EC ، ۲۰۰۱/۳۵/EU ، ۲۰۱۴/۳۰/EU ، ۲۰۱۱/۱۵/EU
- پرونده فنی در: SKIL Europe BV (PT-SEU/ENG)۱, ۴۸۲۵ BD Breda, NL

Marijn van der Hoofden
Operations & Engineering

Olaf Dijkgraaf
Approval Manager

SKIL Europe BV, 4825 BD Breda, NL

21.10.2014

صد/ارتعاشات

- اندازه گیری ها بر اساس استاندارد EN ۱۰۷۴۵ انجام و مشخص شد که میزان فشار صوتی این ابزار < ۷۰ دسی بل (با انحراف استاندارد ۳ : دسی بل)، و میزان ارتعاشات * متر/مجدور ثانیه می باشد (شیوه دست-بازو، عدم قطعیت $K = 1,5$ متر/مجدور ثانیه)
- * در صورت دریل کاری فلزات $2,5 <$ متر/مجدور ثانیه
- * هنگام پیچ کردن $2,5 <$ متر/مجدور ثانیه
- میزان انتشار ارتعاشات بر اساس تست استاندارد شده ای که در EN ۱۰۷۴۵ معرفی شده است اندازه گیری گردید: از این ارقام می توان برای مقایسه یک ابزار با دیگری و بعنوان ارزیابی اولیه در معرض قرارگیری ارتعاشات هنگام کار با ابزار در کاربری های فوق استفاده کرد
- استفاده کردن از ابزار برای کاربردهای متفاوت، یا با لوازم و متعلقات متفاوتترقه یا لوازم و متعلقاتی که بد نگهداری نشده اند، می تواند میزان در معرض قرارگیری را بطور قابل ملاحظه ای افزایش دهد
- مواقعی که ابزار خاموش است یا روشن است ولی کاری با آن انجام نمی شود، میزان در معرض قرارگیری بطور قابل توجهی کاهش می یابد
- ! با نگهداری مناسب از ابزار و لوازم و متعلقات آن، گرم نگهداشتن دست های خود، و سازمان دهی طرح های کاری می توانید خود را در برابر اثرات ارتعاش محافظت کنید

- شود: آسیب رساندن به لوله های گاز سبب انفجار می شود؛ سوواخ کردن لوله های آب به ساختمان آسیب رسانده و موجب خطر برق گرفتگی می شود
- با موادی حاوی آزیست کار نکنید (آزیست سرطان زاست)
- گرد و خاکی که از موادی مانند رنگ های حاوی سرب، برخی گونه های چوب، مواد معدنی و فلزات بلند می شود می تواند خطرناک باشد (ماس با این گرد و خاکی و با تنفس آنها می تواند در کاربران ابزار یا افراد نزدیک به محل کار واکنش های حساسیتی و/یا بیماری های تنفسی ایجاد کند): یک ماسک مخصوص گرد و خاک بزنید و در صورت امکان از یک وسیله مکش گرد و خاک استفاده کنید
- برخی از گرد و خاکی (مانند گرد و خاکی که از چوب بلوط یا راش بلند می شود) علی الخصوص در مجاورت افزودنی های مخصوص چوب، سرطان زا هستند، یک ماسک مخصوص گرد و خاک بزنید و در صورت امکان از یک وسیله مکش گرد و خاک استفاده کنید
- از مقررات ملی مربوط به گرد و خاک موادی که می خواهید با آنها کار کنید پیروی نمایید
- قبل از هرگونه تنظیم یا عوض کردن متعلقات و یا حمل و قرار دادن ابزار در محل نگهداری آن مطمئن شوید که کلید B (T) در وضعیت میانی (فعل) قرار داشته باشد

شارژ کردن/باتری ها

- باتری را فقط با شارژری که همراه ابزار ارائه شده است شارژ کنید
- به کنتاکت های شارژر دست نزنید
- ابزار/شارژر نباید در معرض باران قرار داده شود
- ابزار/شارژر را در مکانی نگه دارید که دمای آن از ۰ تا ۴۰ درجه سانتیگراد بالاتر و از ۰ درجه سانتیگراد کمتر نیست
- باتری را در محیط های نمناک یا خیس شارژ نکنید
- اگر باتری ها در آتش انداخته شوند امکان انفجار آنها وجود دارد، بنابراین هرگز و به هیچ دلیلی باتری را نوسوزانید
- اگر شارژر آسیب دیده است از آن استفاده نکنید؛ آنرا برای کنترل ایمنی به مراکز مجاز خدمات فنی SKIL ببرد
- اگر سیم یا دوشاخه شارژر آسیب دیده است از آن استفاده نکنید؛ سیم یا دوشاخه های آسیب دیده را باید فوراً در یکی از مراکز مجاز خدمات فنی SKIL تعویض کرد
- اگر باتری آسیب دیده است از آن استفاده نکنید؛ باید فوراً آنرا عوض کنید
- سعی نکنید باتری را شارژر یا باز کنید
- سعی نکنید باتری های غیرقابل شارژ را یا شارژر دوباره شارژ کنید

توضیح علامات های روی شارژر/باتری

- (P) پیش از کار حتماً دفترچه راهنما را مطالعه کنید
- (Z) از شارژر فقط باید در داخل ساختمان استفاده کرد
- (O) عایق دوگانه (نیازی به سیم اتصال به زمین - ارت نیست)
- (1) اگر قطب های شارژر با اشتباه وصل کنید احتمال بروز خطر وجود خواهد داشت (باتری را فقط با شارژر ارائه شده شارژ کنید)
- (V) خاموش شدن خودکار در زمانی که شارژر خیلی داغ می شود (فیوز حرارتی می سوزد و شارژر غیرقابل استفاده خواهد شد)
- (A) شارژر را همراه زباله های خانگی دور نیندازید
- (3) باتری را همراه زباله های خانگی دور نیندازید

استفاده

- شارژ کردن باتری (P)
- باتری ابزارهای نو کاملاً شارژ نشده است
- شارژر را مطابق نمودار به برق وصل کنید
- باتری را در شارژر قرار دهید
- چراغ قرمز H روشن شده و نشان می دهد که باتری در حال شارژ است
- چراغ قرمز H تا زمانی که باتری در شارژر قرار دارد و شارژر به پرز دیواری وصل است روشن خواهد ماند
- ! برای افزایش عمر مفید باتری، بعد از پایان زمان شارژ، باتری را از شارژر خارج کنید
- مهم:
- شارژ کردن بعد از ۳ ساعت به پایان می رسد و آنگاه می توانید باتری استفاده کنید
- اگر به شارژر و باتری در حین شارژ دست بزنید متوجه می شوید که گرم شده اند؛ این پدیده کاملاً عادی است و هیچ اشکالی را نشان نمی دهد
- قبل از قرار دادن باتری در شارژر مطمئن شوید که سطوح بیرونی باتری تمیز و خشک باشند

- در دمای زیر ۰ درجه سانتیگراد یا بالای ۴۵ درجه سانتیگراد شارژ نکنید؛ این کار شدیداً به باتری و نیز شارژر آسیب می رساند
- اگر ابزار در حال کار است باتری آنرا خارج نکنید
- ! یک باتری نو یا باتری ای که برای مدت طولانی از آن استفاده نشده است قبل از در حدود ۵ دوره شارژ/تخلیه شارژ به ظرفیت کامل خود می رسد
- باتری را مرتب فقط بعد از چند دقیقه کار کردن شارژ نکنید؛ این کار باعث می شود عمر و راندمان باتری کاهش یابد
- اگر نمی خواهید برای مدتی طولانی از ابزار استفاده کنید، بهترین کار این است که سیم برق شارژر را از پریز بیرون بیاورید

- روشن/خاموش (N)
- کنترل دور برای شروع بکار ملایم (M)
- تغییر جهت چرخش (R)
- کلید A (T) در صورتی که درست در وضعیت چپ/راست تنظیم نشده باشد، فعال نخواهد شد
- ! فقط زمانی جهت چرخش ابزار را عوض کنید که ابزار در حالت توقف کامل باشد
- عوض کردن سرمه (U)
- سرمه را تا جایی که امکان دارد بیشتر در سرنظام داخل کنید
- ! اگر سیمای سرمه آسیب دیده است نباید از آن استفاده کنید
- کنترل گشتاور (VariTorque) (U)
- اگر حلقه ضامن D از ۱ تا ۵ تا بگرداند گشتاور خروجی زیاد می شود؛ اگر ضامن را در وضعیت F قرار دهید قفل می شود و می توانید متنه یا پیچ کاری سنگین با ابزار انجام دهید
- موقع بستن یک پیچ، ابتدا وضعیت VariTorque را ۱ امتحان کرده و آنرا زیاد کنید تا به عمق ندخواه برسید
- نگهداشتن و هدایت ابزار (N)
- ! هنگام کار باید همیشه ابزار را از جای(های) دست خاکستری رنگ بگردید
- شیلبرهای تهویه F (T) را مسدود نکنید
- فشار بیش از حد به ابزار وارد نکنید؛ بگذارید ابزار به جای شما کار کند

توصیه های کاربردی

- از سرمته های مناسب استفاده کنید (W)
- ! فقط از سرمته های تیز استفاده کنید
- برای متنه کردن فلزات آهنی
- اگر می خواهید سوواخ بزرگی ایجاد کنید، ابتدا یک سوواخ کوچک اولیه ایجاد کنید
- سرمته را هر چند وقت یکبار با روغن روانکاری کنید
- هنگام سفت کردن یک پیچ در/کنار لبه یا مقطع برش یک تکه چوب، ابتدا یک سوواخ ایجاد کنید تا چوب ترک نخورد
- برای عملکرد بهینه ابزار باید فشار یکمواخت روی پیچ وارد شود، بخصوص موقعی که پیچ را خارج می کنید
- اگر می خواهید چوب های سفت را پیچ کنید باید ابتدا یک سوواخ ایجاد کنید
- متنه کاری بدون تراشه چوب (V)
- متنه کاری دیوار بدون گرد و غبار (E)
- متنه کاری سقف بدون گرد و غبار (A)
- متنه کاری کاشی بدون لیز خوردن (U)
- برای نکات بیشتر به www.skill.com مراجعه کنید

نگهداری / سرویس- خدمات

- این ابزار برای مصارف حرفه ای مناسب نیست
- ابزار و شارژر را تمیز نگه دارید
- کنتاکت های شارژر را با الکتریسیته محلول کنتاکت شور تمیز کنید
- ! شارژر را قبل از تمیز کردن از پریز بکشید
- اگر ابزار/شارژر علیرغم تمام دقت و مراقبتی که در فرآیندهای تولید و تست بکار برده شده از کار افتاد، تعمیرات باید فقط در مراکز خدمات پس از فروش ابزارهای برقی SKIL انجام شود
- ابزار یا شارژر را بصورت باز نشده همراه با رسید خرید به فروشنده یا نزدیک ترین مرکز خدمات رسانی SKIL بفرستید (آدرسها به همراه نمودارهای سرویس ابزار در www.skill.com موجود است)
- در صورت خراب بودن شارژر هم شارژر و هم باتری را به فروشنده یا مرکز خدمات اسکیل ارسال کنید

۲) ایمنی الکتریکی

- ۱) دوشاخه ابزار الکتریکی باید با پریز برق تناسب داشته باشد. هیچگونه تغییری در دوشاخه ندهید. مبدل دوشاخه نباید همراه با ابزار الکتریکی دارای اتصال به زمین (ارت شده) استفاده شود. مبدل دوشاخه نباید همراه با ابزار الکتریکی دارای اتصال به زمین (ارت شده) استفاده شود.
- ب) از تماس بدن یا قطعات دارای سیم اتصال به زمین (ارت شده) مانند لوله، شوفاز، اجاق برقی و یخچال خود داری کنید. در صورتیکه بدن شما با سیم داری اتصال به زمین (ارت شده) تماس پیدا کند. خطر برق گرفتگی بیشتر خواهد شد.
- ت) دستگاه را از باران و رطوبت دور نگاهدارید. نفوذ آب به ابزار الکتریکی. خطر شوک الکتریکی را افزایش می دهد.
- ث) از سیم به درستی استفاده کنید. از سیم دستگاه برای کارهایی چون حمل ابزار الکتریکی، آویزان کردن آن و یا خارج کردن دوشاخه از برق استفاده نکنید. دستگاه را در مقابل حرارت، روغن، لبه های تیز و بخش های متحرک دستگاه دور نگاهدارید. کابل های آسیب دیده و یا گره خورده خطر شوک الکتریکی را افزایش می دهند.
- ج) در صورتیکه با ابزار الکتریکی در محیط باز کار می کنید. تنها از کابل را بطی استفاده کنید که برای محیط باز نیز مناسب باشد. کابل های رابط مناسب برای محیط باز خطر برق گرفتگی را کم می کنند.
- ح) در صورت لزوم کار با ابزار الکتریکی در محیط و اماکن مرطوب. در اینصورت باید از یک کلید حفاظتی جریان خطا و نشستی زمین (کلید قطع کننده اتصال یا زمین) استفاده کنید. استفاده از کلید حفاظتی جریان خطا و نشستی زمین خطر برق گرفتگی را کمتر می کند.
- ۳) رعایت ایمنی اشخاص
- ۱) حواس خود را خوب جمع کنید. به کار خود دقت کنید و با فکر و هوش کامل با ابزار الکتریکی کار کنید. در صورت خستگی و یا در صورتیکه مواد مخدر، الکل و دارو استفاده کرده اید. با ابزار الکتریکی کار نکنید. یک لحظه بی توجهی هنگام کار با ابزار الکتریکی، میتواند جراحات های شدیدی به همراه داشته باشد.
- ب) همواره از تجهیزات ایمنی شخصی استفاده کنید. همواره از عینک ایمنی استفاده کنید. استفاده از تجهیزات ایمنی مانند ماسک ایمنی، کفش های ایمنی ضد لغزش، کلاه ایمنی و گوشی ایمنی متناسب با نوع کار با ابزار الکتریکی. خطر مجروح شدن را تقلیل می دهد.
- ت) مواظب باشید که ابزار الکتریکی بطور ناخواسته بکار نیفتد. قبل از وارد کردن دوشاخه دستگاه در پریز برق، اتصال آن به باطری، برداشتن آن و یا حمل دستگاه، باید دقت کنید که ابزار الکتریکی خاموش باشد. در صورتیکه هنگام حمل دستگاه انگشت شما روی دکمه قطع و وصل باشد و یا دستگاه را در حالت روشن به پریز بزنید. ممکن است سوانح کاری پیش آید.
- ث) قبل از روشن کردن ابزار الکتریکی، باید همه ابزارهای تنظیم کننده و آچارها را از روی دستگاه بردارید. ابزار آچارهایی که روی بخش های چرخنده دستگاه قرار دارند. می توانند باعث ایجاد جراحات شوند.
- ج) بیش از حد به آنها نزدیک نشوید. برای کار جای مطمئنی برای خود انتخاب کرده و تعادل خود را همواره حفظ کنید. به این ترتیب می توانید ابزار الکتریکی را در وضعیت های غیر منظره بهتر تحت کنترل داشته باشید.
- ح) لباس مناسب بپوشید. از پوشیدن لباس های فرخ و حمل زینت آلات خود داری کنید. موها، لباس و دستکش ها را از بخش های درحال چرخش دستگاه دور نگاهدارید. لباس های فرخ، موی بلند و زینت آلات ممکن است در قسمت های درحال چرخش دستگاه گیر کنند.
- خ) در صورتیکه می توانید وسایل مکش گرد و غبار و یا وسیله جذب زائده را به دستگاه نصب کنید. باید مطمئن شوید که این وسایل نصب و درست استفاده می شوند. استفاده از وسایل مکش گرد و غبار مصونیت شما را در برابر گرد و غبار زیاد تری می کند.
- ۴) استفاده صحیح از ابزار الکتریکی و مراقبت از آن
- ۱) از وارد کردن فشار زیاد روی دستگاه خود داری کنید. برای هر کاری، از ابزار الکتریکی مناسب با آن استفاده کنید. بکار گرفتن ابزار الکتریکی متناسب باعث می شود که بنوانید از توان دستگاه بهتر و با اطمینان بیشتر استفاده کنید.
- ب) در صورت ایراد در کلید قطع و وصل ابزار برقی، از دستگاه استفاده کنید. ابزار الکتریکی که می توان آنها را قطع و وصل کرد. خطرناک بوده و باید تعمیر شوند.
- ت) قبل از تنظیم ابزار الکتریکی، تعویض متعلقات و یا کنار گذاشتن آن. دوشاخه را از برق کشیده و یا باطری آنها خارج کنید. رعایت این اقدامات پیشگیری ایمنی از راه افتادن ناخواسته ابزار الکتریکی جلوگیری می کند.
- ۵) ابزار الکتریکی را در صورت عدم استفاده، از دسترس کودکان دور نگاهدارید. اجازه ندهید که افراد نا وارد و یا اشخاصی که این دفترچه راهنما را نخوانده اند، با این دستگاه کار کنند. قرار گرفتن ابزار الکتریکی در دست افراد ناوارد و بی تجربه خطرناک است.
- ج) از ابزار الکتریکی خوب مراقبت کنید. مواظب باشید که قسمت های متحرک دستگاه خوب کار کرده و گیر نکنند. همچنین دقت کنید که قطعات ابزار الکتریکی شکسته و یا آسیب دیده نباشند. قطعات آسیب دیده را قبل از شروع به کار تعمیر کنید. علت بسیاری از سوانح کاری، عدم مراقبت کامل از ابزارهای الکتریکی می باشد.
- ح) ابزار برش را نیز و تمیز نگاهدارید. ابزار برشی که خوب مراقبت شده و از لبه های تیز برخوردارند. کمتر در قطعه کار گیر کرده و بهتر قابل هدایت می باشند.
- خ) ابزارهای الکتریکی، متعلقات، ابزاری که روی دستگاه نصب می شوند و غیره را مطابق دستورات این جزوه راهنما طوری به کار بگیرید که با مدل این دستگاه تناسب داشته باشند. همچنین به شرایط کاری و نوع کار توجه کنید. کاربرد ابزار برقی برای موارد کاری که برای آن در نظر گرفته نشده است. میتواند شرایط خطرناکی را منجر شود.
- ۵) مراقبت و طرز استفاده از ابزارهای شارژی
- ۱) باطری ها را ممتدراً در دستگاههایی شارژ کنید که توسط سازنده توصیه شده باشند. در صورتیکه برای شارژ باطری، آنرا در شارژر قرار دهید که برای آن باطری ساخته نشده است. خطر آتشسوزی وجود دارد.
- ب) در ابزار آلات الکتریکی، فقط از باطری هایی استفاده کنید که برای آن در نظر گرفته شده اند. استفاده از باطری های متفرقه می تواند منجر به جراحات و حریق گردد.
- ت) در صورت عدم استفاده از باطری باید آنرا از گیره های فلزی، سکه، کلید، میخ، پیچ و دیگر وسایل کوچک فلزی دور نگه دارید. زیرا این وسایل ممکن است باعث ایجاد اتصالی شوند. ایجاد اتصالی بین دو قطب باطری (ترمیالنالهای باطری) میتواند باعث سوختگی و ایجاد حریق شود.
- ث) استفاده می رویه از باطری میتواند باعث خروج مایعات از آن شود. از دست زدن به آن خود داری کنید. در صورت تماس اتفاقی با آن، دست خود را با آب بشوئید. در صورت آلوده شدن چشم با این مایع، باید به پزشک مراجعه کنید. مایع خارج شده از باطری میتواند باعث التهاب پوست و سوختگی شود.
- ۶) سربوس
- ۱) برای تعمیر ابزار الکتریکی فقط به متخصصین حرفه ای رجوع کرده و از وسایل بدکی اصل استفاده کنید. این باعث خواهد شد که ایمنی دستگاه شما تضمین گردد.
- هشدارهای ایمنی برای مته پیچ گوهشتی های شارژی
- پیچ ها، میخ ها و سایر اجزا دیگر می توانند به قطعه کاری شما آسیب بزنند؛ بنابراین پیش از شروع کار آنها را بردارید
 - همیشه مطمئن شوید که ولتاژ ورودی دستگاه برابر ولتاژی باشد که روی پلاک شارژر نوشته شده است
 - در صورت بروز اشکالات برقی یا مکانیکی، فوراً ابزار را خاموش کرده و سیم برق شارژر را از پریز بکشید
 - SKIL در صورتی که از متعلقات اصلی استفاده کنید عملکرد بدون مشکل ابزار را تضمین می نماید
 - متعلقات باید فقط با سرعت های چرخش مجاز که معادل بالاترین سرعت بدون بار ابزار هستند به کار برده شوند
 - این ابزار شارژر نباید توسط افرادی (شامل کودکان) که توانایی های فیزیکی حساس یا روانی آنها محدود است، یا فاقد تجربه و دانش لازم هستند بکار برده شود مگر اینکه شخصی که مسئول ایمنی آنهاست درباره کار با ابزار شارژر به آنها توضیح داده و یا بر کار آنها نظارت کند
 - هیچوقت اجازه ندهید کودکان با ابزار شارژر بازی کنند
 - قطعه کاری را محکم کنید (اگر قطعه کاری را با گیره های جاری یا گیره های رومیزی ثابت کنید بسیار مطمئن تر از گرفتن آن با دست خواهد بود)
 - اگر از ابزار در مواردی استفاده می کنید که امکان دارد متعلقات برش یا بستهای آن با سیم های پنهان شده یا سیم برق خود دستگاه تماس پیدا کنند. حتماً باید ابزار را از جای دست های مخصوص عایق آن بگیریید (تماس متعلقات برش و بستهای ابزاری با سیم های «برق دار» می تواند در بخش های فلزی دستگاه نیز جریان «برق» تولید کرده و در رانور برقی گرفتگی ایجاد کند)
 - برای پیدا کردن سیم و لوله های پنهان از دستگاه های دکتور مناسب استفاده کرده یا با شرکت های آب و برق و گاز محلی تماس گرفته و از آنها کمک بخواهید (تماس با سیم های برق موجب آتش سوزی و برق گرفتگی می

- الضوضاء/الاهتزاز**
- عند القياس بالتوافق مع EN ١٠٧٤٥. يكون مستوى ضغط صوت هذه الأداة <٧٠ ديسيبل (أ) (الانحراف المعياري ٣: ديسيبل). والاهتزاز * (م/ث) طريقة اهتزاز اليد: K غير مؤكد = ١.٥ م/ث^٢;
 - * عند ثقب المعدن <٢.٥ م/ث^٢
 - * عند إجراء فك لولبي < ٢.٥ م/ث^٢
 - تم قياس مستوى الاهتزازات بالتوافق مع الاختبار المعياري المحدد في EN ١٠٧٤٥. يمكن استخدامه لمقارنة أداة بأداة أخرى وكتقييم تهديدي للتعرض للاهتزاز عند استخدام الأداة في التطبيقات الموضحة:
 - قد يؤدي استخدام الأداة في تطبيقات مختلفة أو مع ملحقات مختلفة أو ذات صيانة رديئة إلى زيادة مستوى التعرض بصورة كبيرة؛
 - إن الفترة الزمنية التي يتم خلالها إيقاف تشغيل الأداة أو عندما تكون قيد التشغيل لكنها لا تؤدي أية مهام، تؤدي إلى تقليل مستوى التعرض بصورة كبيرة؛
 - ! **قم بحماية نفسك من تأثيرات الاهتزاز من خلال صيانة الأداة وملحقاتها. والحفاظ على يديك وداخلك وتنظيم أحمال العمل لديك؛**

FA

٢٣٩٥

مته/بيج گوشتي شارژی

مقدمه

- این ابزار برای مته کاری چوب، فلزات، آجر، سنگ، سرامیک و پلاستیک مناسب است؛ ابزارهای دارای سیستم الکترونیکی کنترل دور و انتخاب جهت چرخش چپ/راست بعنوان بيج گوشتي برقی و روزه زن نیز قابل استفاده هستند
- این ابزار برای مصارف حرفه ای مناسب نیست
- لطفاً این دفترچه راهنما را مطالعه کرده و نگهدارید ①

اطلاعات فنی ①

حداکثر گشتاور برای استفاده بعنوان بيج گوشتي بر اساس ISO ٥٣٩٣: ٢٦ نیوتن متر

اجزای ابزار ②

- A کلید روشن/خاموش و کنترل دور
B کلید تغییر جهت چرخش
C سه نظام بدون نیاز به آچار
D حلقه کنترل گشتاور
E وضعت قفل (ضامن)
F شیارهای تهویه
G شارژر
H چراغ قرمز شارژر

ایمنی

راهنمای ایمنی عمومی

⚠ هشدار! همه دستورات ایمنی و راهنمای ها را بخوانید. احتیاطات ناشی از عدم رعایت این دستورات ایمنی ممکن است باعث برق گرفتگی، سوختگی و یا سایر جراحات های شدید شود. همه هشدارهای ایمنی و راهنمای ها را برای آینده خوب نگهداری کنید. هرچا در این راهنما از «ابزار الکتریکی» صحبت میشود. منظور ابزارهای الکتریکی (باسیم برقی) و یا ابزارهای الکتریکی باتری دار (بدون سیم برقی) می باشد.

ایمنی محل کار

- (ا) محل کار خود را تمیز مرتب و مجهز به نور کافی نگهدارید. محیط کار نامرتب و کم نور میتواند باعث سوانح کاری شود.
- (ب) با ابزار الکتریکی در محیط هایی که در آن خطر انفجار وجود داشته و حاوی مایعات، گازها و غبارهای محترقه باشد، کار نکنید. ابزارهای الکتریکی جرقه های ایجاد می کنند که می توانند باعث آتش گرفتن گرد و بخارهای موجود در هوا شوند.
- (ت) هنگام کار با ابزار الکتریکی، کودکان و سایر افراد را از دستگاه دور نگهدارید. در صورتیکه حواس شما پرت شود، ممکن است کنترل دستگاه از دست شما خارج شود.

- قم بزریق سن المثقاب من حین لأخر بالزیت
- عند ربط برقي في/بالقرب من طرف مقطع عرضي أو حافة قطع خشبية يجب عمل ثقب خضيري لفتحته. تفاديا حدوث تشقق بالخشب؛
- للاستخدام الأمثل للآداة، يتطلب الأمر الضغط بنبات على البرقي، وبالأخص عند إزالته؛
- عند تركيب البراقي داخل الخشب الصلب، يجب الثقب مسبقاً لعمل فتحة؛
- ثقب بدون تشظي في الخشب ①
- ثقب بدون غبار في الجدران ②
- ثقب بدون غبار في الأسقف ③
- ثقب في البلاط بدون ارتقاف ④
- مزيد من النصائح زر موقعنا www.skil.com

الصيانة / الخدمة

- لم يتم تصميم هذه الأداة للاستخدام الاحترافي؛
- الحفاظ على نظافة الأداة والشاحن
- قم بتنظيف وصلات الشاحن الموجودة بالشاحن مستخدمًا الكحول أو منظف خاص بנקاط التلامس؛
- ! **قم بفصل الشاحن عن مصدر الطاقة قبل عملية التنظيف**
- إذا تعذر تشغيل الأداة/الشاحن على الرغم من الحذر الشديد في إجراءات التصنيع والاختبار، فيجب القيام بالإصلاحات بواسطة مركز خدمة ما بعد البيع لأدوات الطاقة التابع لشركة SKIL.
- قم بإرسال الأداة أو الشاحن دون تفكيكها بالإضافة إلى إثبات الشراء إلى البائع أو أقرب محطة خدمة SKIL بالتعاون بالإضافة إلى محطط الخدمة متاحا على www.skil.com؛
- في حالة حدوث تلف بالشاحن قم بإرسال كل من الشاحن والبطارية إلى البائع أو محطة خدمة SKIL.

البيئة المحيطة

- لا تتخلص من الأدوات الكهربائية والملحقات ومواد التغليف مع النفايات المنزلية (لدول الاتحاد الأوروبي فقط)؛
- وفقاً للتوجيه الأوروبي ٢٠١٢/١٩/EC حول نفايات المعدات الكهربائية والإلكترونية وتطبيقه بالتوافق مع القانون المحلي، يجب تجميع الأدوات الكهربائية منتهية الصلاحية بشكل منفصل وإرسالها إلى أحد منشآت إعادة التصنيع المتوافقة مع البيئة؛
- سيذكر الرمز ⑤ بهذا عند الحاجة إلى التخلص من أية أداة؛
- يجب الحفاظ على البطارية منفصلة عن البيئة الطبيعية ولا يجب التخلص منها بالشكل المستخدم مع النفايات المنزلية العادية (سيذكر الرمز ④) بذلك عندما تلح الحاجة إلى التخلص من البطارية).
- ! **قبل التخلص من البطارية، قم بحماية الأطراف بشرط قوي لمنع حدوث دارة قصيرة؛**

إعلان توافق CE

مثقاب لاسلكي/مفك ٢٣٩٥

البيانات الفنية ①

- نحن نقر على مسؤولييتنا الخاصة أن المنتج الموضح في «البيانات الفنية» يتوافق مع المعايير أو المستندات المعيارية التالية: EN ١٠٧٤٥ (الأداة) و EN ١٠٣٣٥ (الشاحن) و EN ١١٠٠٠ و EN ٥٥٠١٤ و بالتوافق مع شروط التوجيهات EC/٢٠٠١/٤٤ و EC/٢٠١٤/٣٥٥ و EU/٢٠١٤/٣٠ و EU/٢٠١١/٦٥
- الملف الفني على: SKIL Europe BV (PT-SEU/ENG) ٤٢٥ BD Breda, NL

Marijn van der Hoofden
Operations & Engineering

Olaf Dijkgraaf
Approval Manager

SKIL Europe BV, 4825 BD Breda, NL

21.10.2014

ث) قد يتسرب السائل من المركب عند سوء الإستعمال. جَنّب ملامسته. اشطفه بالماء في حال ملامسته صدفه. إن وصل السائل إلى العينين: فراجع الطبيب إضافة إلى ذلك. قد يؤدي سائل المركب المتسرب إلى تهيج البشرة أو إلى الإحراق.

١) اسمح بتصليح عندك الكهربائية فقط من قبل المتخصصين فقط بإستعمال القطع الغيار الأصلية. يؤمن ذلك المحافظة على أمان الجهاز.

إرشادات السلامة الخاصة بالثقاب اللاسلكي/المفكات

- جنّب التلف الذي قد تتسبب فيه البراغي والمسامير والعناصر الأخرى الموجودة في القطعة التي تعمل بها. قم بفكهم قبل بدء العمل.
- تأكد دائماً من أن فولتية الإمداد هي نفسها المشار إليها على لوحة الاسم الخاصة بالشاحن
- في حالة حدوث خلل كهربوي أو ميكانيكي. قم في الحال بإيقاف تشغيل الأداة أو افصل الشاحن عن مصدر الطاقة
- تضمن SKIL التشغيل السليم للأداة فقط عند استخدام الملحقات الأصلية: استخدم فقط الملحقات بالسرعة المسموح بها. والتي توافق على الأقل أعلى سرعة للأداة بدون حمل
- لم يتم تصميم الأداة/الشاحن للاستخدام بواسطة أفراد (ما يفهم الأطفال) ذوي قدرات بدنية أو حسية أو عقلية منخفضة أو محدودو الخبرة والعرفة ما لم يتم الإشراف عليهم أو تزويدهم بالإرشادات الخاصة باستخدام الأداة/الشاحن بواسطة فرد مستئول عن أمنهم
- تأكد من عدم قيام الأطفال بالعبث بالأداة/الشاحن
- ثبت قطعة العمل الإمساك بقطعة عمل مثبتة بأجهزة تثبيت أو في ملزمة أكثر أمناً من مسكها باليد)
- امسك بالأداة الكهربائية بواسطة أسطح إمساك معزولة وذلك عند القيام بأعمال قد تتعرض لمخاطر القنط أو المختبث من خلالاتها إلى التلامس مع أسلاك غير ظاهرة أو مع سلك الطاقة الخاص بها (تلامس لمخاطر القنط والمختبث مع سلك «متصل بالكهرباء» سيؤدي إلى «وصول التيار الكهربوي» إلى الأجزاء المعدنية المكشوفة وقد يعرض المشغل لصدمة كهربائية؛
- استخدم كاشفات ملامثة للعثور على خط المرافق أو اطلب شركة المرافق المحلية للحصول على مساعدة (التلامس مع خطوط إمداد الكهربوي قد يؤدي إلى حدوث حريق أو صدمة كهربائية، وتلف خط الغاز قد يؤدي إلى حدوث انفجار؛ واختراق أنابيب المياه سيتسبب في حدوث ضرر في الممتلكات أو صدمة كهربائية)؛
- لا تعمل باستخدام مواد تشتمل على الألبستوس (يعتبر الألبستوس مادة مسرطنة)؛
- الغبار الناتج من المواد كالطلاء الذي يحتوي على رصاص وبعض أنواع الأخشاب والعمان والمكونات المعدنية قد يكون ضاراً (املاسة أو استنشاق الغبار قد تتسبب في إصابة المشغل أو من يجاوره بأمراض الحساسية و/أو أمراض الجهاز التنفسي)؛
- قم بارتداء قناع للغبار مع العمل باستخدام جهاز شفط للغبار. طالما أمكن توصيله
- نمة أنواع معينة من الغبار تُصنف على أنها مواد مسببة للسرطان (مثل غبار خشب البلوط والزنان) خاصة عند استخدامها مع مواد مضافة لمعالجة الخشب؛
- قم بارتداء قناع للغبار مع العمل باستخدام جهاز شفط للغبار. طالما أمكن توصيله
- التزم بالمتطلبات الوطنية الخاصة بالغبار عند العمل باستخدام المواد المطلوبة
- تأكد من أن المفتاح ① في الوضع المركزي (القفل) قبل إجراء أية تعديلات أو تغيير للمخاطب وكذلك عند حمل أو تخزين الأداة

شحن البطاريات

- لا تقم بشحن البطارية إلا بالشاحن الذي يرد مع الأداة
- لا تلمس نقاط التلامس الموجودة بالشاحن
- لا تعرض الأداة/الشاحن/البطارية للأمتار
- قم بتخزين الأداة/الشاحن/البطارية في أماكن لا تتجاوز درجة الحرارة فيها ٤٠ درجة مئوية أو تقل عن - درجة مئوية
- لا تقم بشحن البطارية في بيئة رطبة أو مبللة
- قد تنفجر البطاريات عندما تتعرض للثقل. لذا لا حرق البطارية لأي سبب؛
- لا تستخدم الشاحن إذا تعرض للثقل: انهب به إلى أية من محطات خدمة SKIL المسجلة رسمياً لإجراء فحص الأمان
- لا تستخدم الشاحن إذا تعرض السلك أو القابس للثقل: يجب استبدال السلك أو القابس على الفور في أي من محطات خدمة SKIL المسجلة رسمياً
- لا تستخدم البطارية إذا تعرضت للثقل: يجب استبدالها على الفور
- لا تقم بتفكيك الشاحن أو البطارية
- لا تحاول إعادة شحن البطاريات غير القابلة لإعادة الشحن بواسطة الشاحن

شرح الرموز الموجودة على الشاحن/البطارية

- ② قم بقراءة دليل الإرشادات قبل الاستخدام
- ④ لا تستخدم الشاحن إلا في الأماكن الداخلية
- ⑤ العزل المزود (لا يلزم سلك أرضي)؛

- ① قد تتسبب القنطية غير الصحيحة في وصلة الشاحن في حدوث خطر (فقط قم بشحن البطارية باستخدام الشاحن المزود)؛
- ⑦ إيقاف التشغيل تلقائياً عند تعرض الشاحن لسخونة مفرطة (يتعرض المصهر الحراري للثقل ويصبح الشاحن عدم الفائدة)؛
- ⑧ لا تتخلص من الشاحن مع النفايات المنزلية
- ⑨ لا تتخلص من البطارية مع النفايات المنزلية

الاستخدام

شحن البطارية ①

- عادة ما تكون بطارية الأدوات الجديدة غير مكتملة الشحن؛
- قم بتوصيل الشاحن بمصدر الطاقة كما هو موضح؛
- أدخل البطارية في الشاحن؛
- سيضيء الضوء الأحمر H منبئاً إلى أنه جاري شحن البطارية؛
- سيظل الضوء الأحمر H مصيئاً طالما البطارية متصلة بالشاحن والشاحن متصل بالمقبس في الجدار؛
- قم بإزالة البطارية من الشاحن بعد انتهاء مدة الشحن. بتلك الطريقة يطول العمر الافتراضي للبطارية؛

هام:

- بعد ٣ ساعات ستكتمل عملية الشحن. ويصبح من الممكن استخدام البطارية؛
- أثناء الشحن قد يصبح كل من الشاحن والبطارية دافئين بحيث يتعذر لمسهما ويعتبر هذا أمراً عادياً ولا يشير إلى وجود مشكلة؛
- تأكد من نظافة وجفاف السطح الخارجي للبطارية قبل إدخالها بالشاحن؛
- لا تقم بشحن البطارية في درجة حرارة تقل عن - درجة مئوية وتزيد عن ٤٥ درجة مئوية. فذلك قد يؤدي إلى حدوث تلفيات جسيمة بالبطارية والشاحن على حد سواء؛
- لا تقم بإزالة البطارية من الأداة وهي قيد التشغيل؛
- لا تصل البطارية الجديدة أو تلك التي لم يتم استخدامها لفترة طويلة سمعتها بالكامل إلا بعد ٥ دورات شحن/تفريغ شحن تقريباً؛
- لا تقم بإعادة شحن البطارية بصورة متكررة بعد مرور عدة دقائق فقط من التشغيل؛ فقد يؤدي هذا إلى تقليل زمن التشغيل وكفاءة البطارية؛
- إذا كنت تتوقع عدم استخدام الأداة لفترات طويلة. فمن الأفضل فصل الشاحن عن مصدر الطاقة؛
- التشغيل/إيقاف التشغيل ②
- التحكم بالسرعة لبدء التشغيل السلس ③
- تغيير اتجاه الدوران ④
- لا يمكن تنشيط مفتاح A ⑤. عندما لا يتم ضبطه على الوضع يسار/يمين بشكل صحيح؛
- لا يتم تغيير اتجاه الدوران إلا عند توقف حركة الأداة تماماً؛
- تغيير السنون ⑥
- أدخل السنن في طرف المثقاب إلى أكبر عمق ممكن؛
- يُحظر استخدام السنون مع ساق تدوير تالف
- التحكم في العزم (VariTorque) ⑦
- يزداد العزم الناتج كلما تم تدوير حلقة الفايض D من ١ إلى ٥ مرة؛ سيعمل الوضع E على إغلاق الفايض لإتاحة القيام بأعمال الثقب والفك الشاقفة؛
- عند التدوير لإرخال برغي. جُرب أولاً وضع ١ الخاص بإمكانية التحكم VariTorque ثم قم بزيادة التدوير إلى أن تصل إلى العمق المطلوب؛
- إمساك الأداة وتوجيهها ⑧
- أثناء العمل. امسك الأداة دائماً من منطقة (مناطق) المقبض رمادية اللون؛
- احرص على أن تكون فتحات التهوية F ⑨ غير مغطاة؛
- لا تضغط بشدة على الأداة. بل ارتكها تقوم بالعمل من أجلك.

توصيات الاستخدام

- استخدام السنون الملائمة ⑩
- لا يُستخدَم سنوي سنون حادة
- عند ثقب معادن حديدية
- عند الحاجة لثقب فتحة كبيرة. قم بعمل ثقب حضيبي لفتحة صغيرة

مقدمة

- تم تصميم هذه الأداة لتفكيك الأخشاب والمعادن والطوب والحرسنة والسيراميك والبلاستيك كما تعد الأدوات المزودة بتحكم إلكتروني في السرعات ودوران الليمين/ لليسار مناسبة لربط البراغى وقطع اللوالب:
- لم يتم تصميم هذه الأداة للاستخدام الاحترافي:
- أقرأ دليل التعليمات هذا واحتفظ به ①

البيانات الفنية ①

أقصى عزم مستخدم لكف البراغى وفقاً لعايير الأيزو ٢٦: ٥٣٩٢ نيوتن متر

مكونات الأداة ②

- A مفتاح للتشغيل/الإيقاف والتحكم في السرعة
- B مفتاح لتغيير اتجاه الدوران
- C طرف ذاتي الربط
- D حلقة التحكم في العزم
- E وضع القفل (قابض)
- F فتحات التهوية
- G الشاحن
- H ضوء الشحن الأحمر

أمان

تعليمات السلامة العامة

⚠️ تحذير! أقرأ جميع الملاحظات التحذيرية والتعليمات إن ارتكاب الأخطاء عند تطبيق الملاحظات التحذيرية والتعليمات قد يؤدي إلى الصدمات الكهربائية، إلى نشوب الحرائق أو/أو الإصابة بجروح خطيرة. احتفظ بجميع الملاحظات التحذيرية والتعليمات للمستقبل. يقصد بمصطلح «العدة الكهربائية» المستخدم في الملاحظات التحذيرية، العدة الكهربائية الموصولة بالشبكة الكهربائية (بواسطة كابل الشبكة الكهربائية)، وأيضاً العدة الكهربائية المزودة بطارية (دون كابل الشبكة الكهربائية).

1) الأمان مكان الشغل

- 1) حافظ على نظافة وحسن إضاءة مكان شغلك. الفوضى في مكان الشغل ومحالات العمل الغير مضاءة قد تؤدي إلى حدوث الحوادث.
- 2) لا تشغل بالعدة الكهربائية في محيط معرض خطر الانفجار والذي تتوفر فيه السوائل أو الغازات أو الأغبرة القابلة للاشتعال. العدة الكهربائية تشكل النسر الذي قد يتطاير فيشعل الأغبرة والأبخرة.
- 3) حافظ على بقاء الأطفال وغيرهم من الأشخاص على بعد عندما تستعمل العدة الكهربائية. قد تفقد السيطرة على الجهاز عند التلهي.

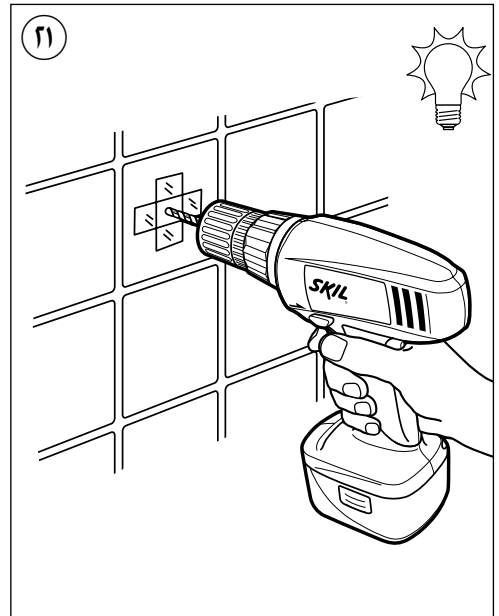
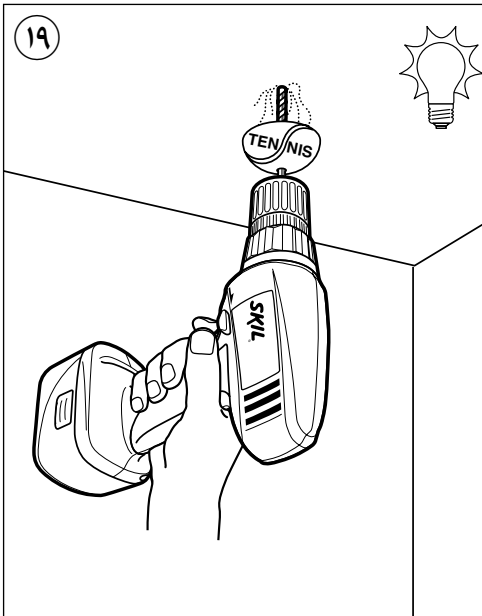
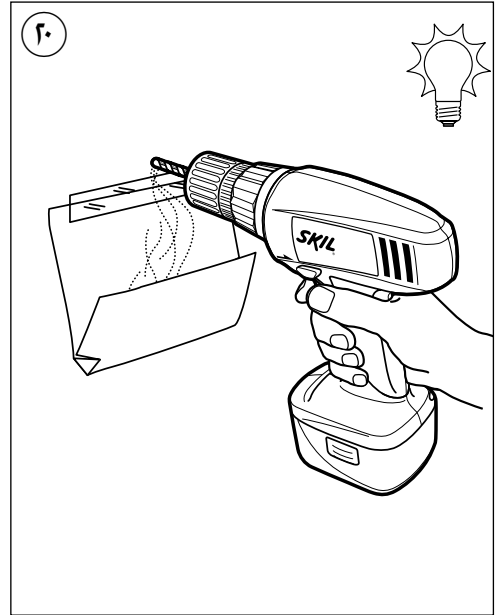
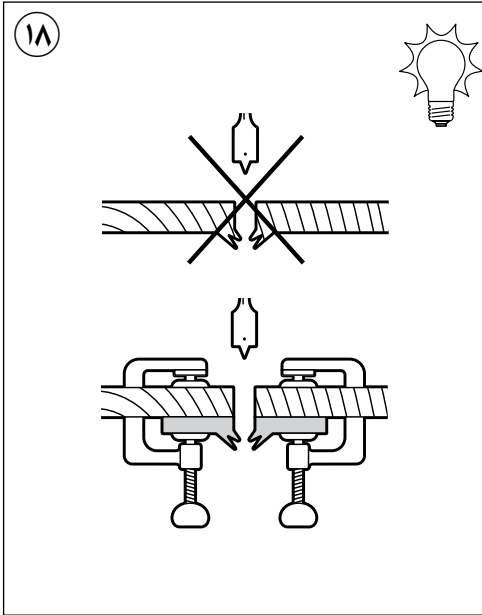
2) الأمان الكهربائي

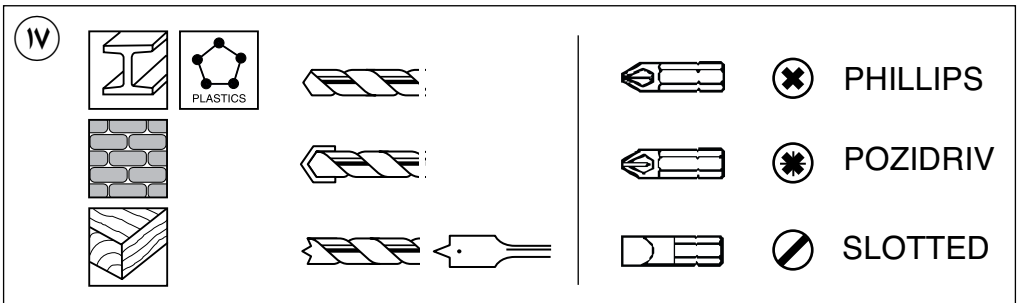
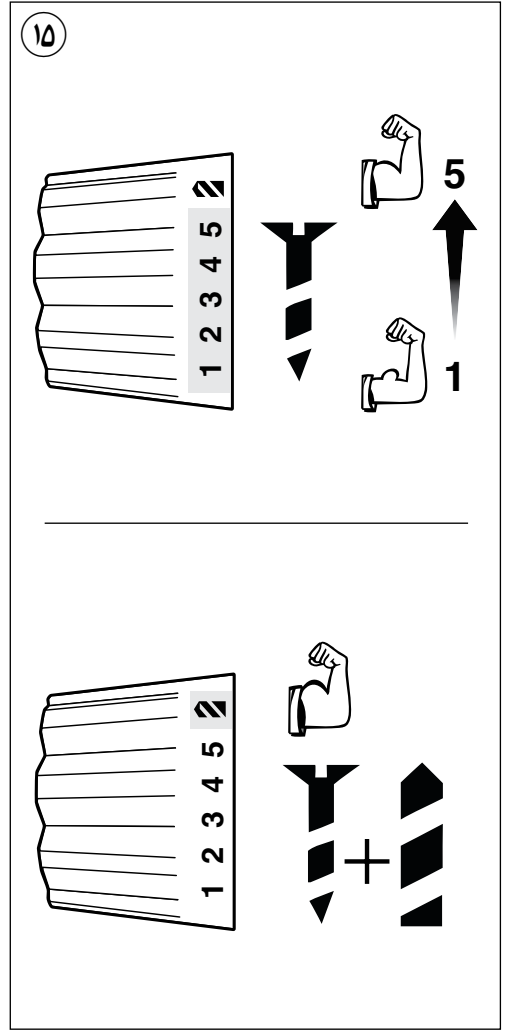
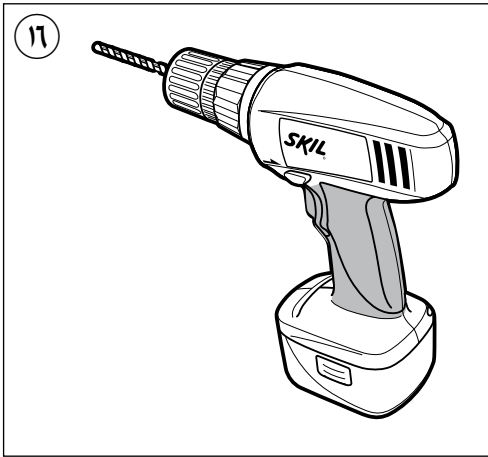
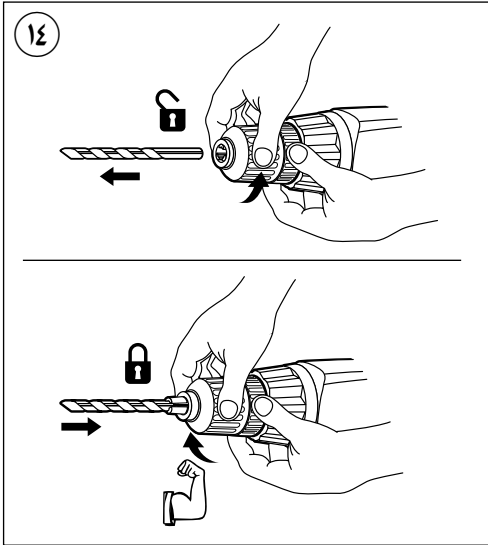
- 1) يجب أن يتلامس قابس وصل العدة الكهربائية مع القابس. لا يجوز تغيير القابس بأي حال من الأحوال. لا تستعمل القوايس المهايئة مع العدة الكهربائية الموضحة تأريخ وقائي. تخفض القوايس التي لم يتم تغييرها والقوايس الملائمة من خطر الصدمات الكهربائية.
- 2) تجنب ملامسة السطوح الموضحة كالأثواب وراياتورات التدفئة والحدائق أو البرادات بواسطة جسمك. يزداد خطر الصدمات الكهربائية عندما يكون جسمك مريض.
- 3) أبعد العدة الكهربائية عن الأمطار أو الرطوبة. يزداد خطر الصدمات الكهربائية إن تسرب للماء إلى داخل العدة الكهربائية.
- 4) يجب عدم إسائة استخدام الكابيل. لا تنس استعمال الكابيل لحمل العدة الكهربائية أو لتعليقها أو لسحب القوايس من القابس. حافظ على إبعاد الكابيل عن الحرارة والزيت والحواف الحادة أو عن أجزاء الجهاز المتحركة. تزيد الكابلات الثقيلة أو التشابكة من خطر الصدمات الكهربائية.
- 5) استخدم فقط كابلات التمديد الصالحة للإستعمال الخارجي أيضا عندما تشغل بالعدة الكهربائية في الخلاء. خفض استعمال كابل تمديد مخصص للإستعمال الخارجي من خطر الصدمات الكهربائية.

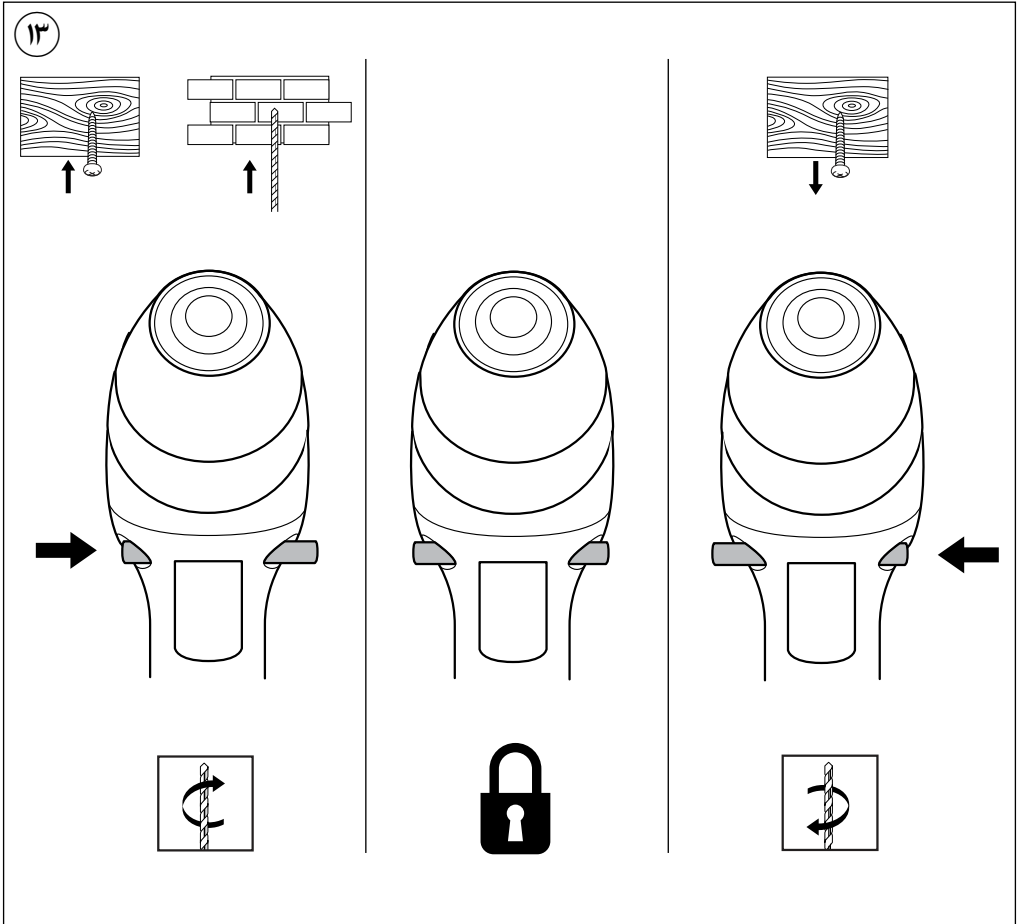
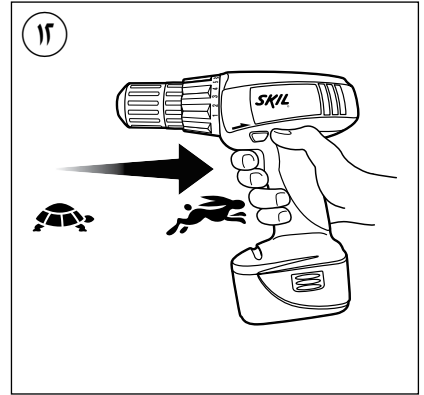
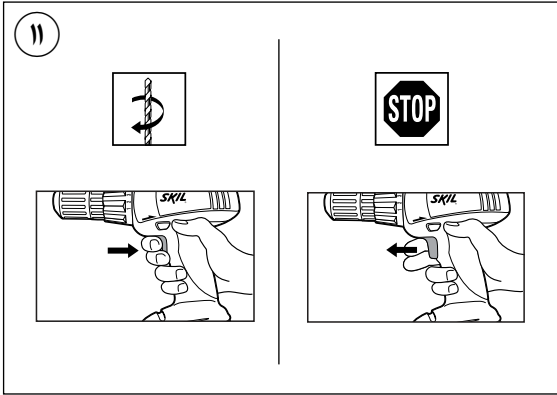
ح) إن لم يكن بالإمكان عدم تشغيل العدة الكهربائية في الأجواء الرطبة، فاستخدم مفتاح للوقاية من التيار المتدرج. إن استخدام مفتاح للوقاية من التيار المتردد يقلل خطر الصدمات الكهربائية.

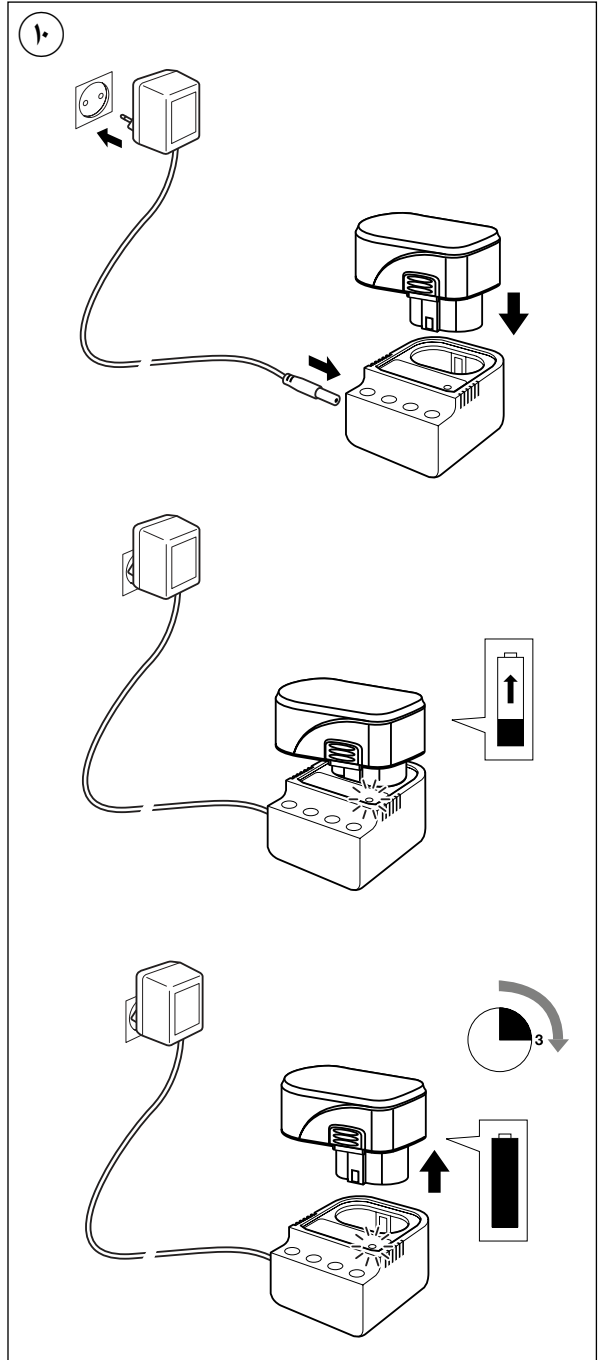
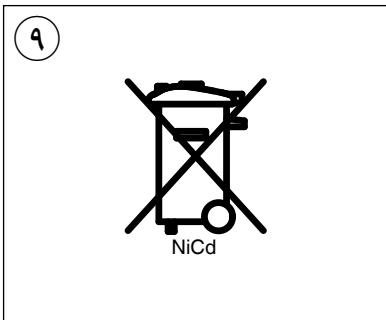
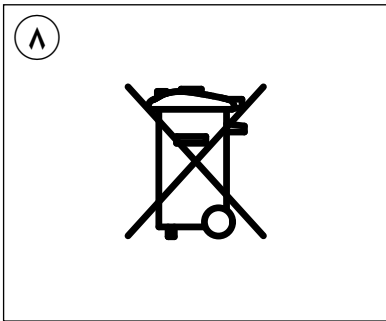
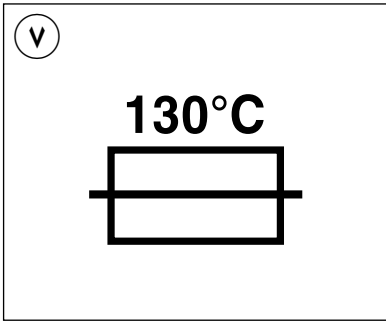
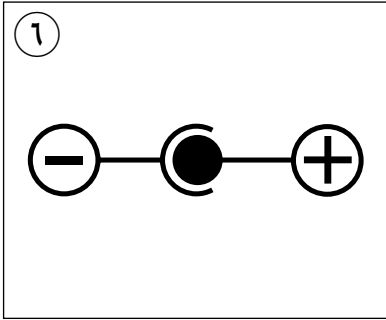
3) أمان الأشخاص

- 1) كن يقظاً وأنتبه إلى ما تفعله وقم بالعمل بواسطة العدة الكهربائية بتعتل. لا تستخدم عدة كهربائية عندما تكون متعب أو عندما تكون تحت تأثير المخدرات أو الكحول أو الأدوية. عدم الإبتناء للحظة واحدة عند استخدام العدة الكهربائية قد يؤدي إلى إصابة خطيرة.
- 2) ارتد عتاد الوقاية الخاص. وارتد دائماً نظارات واقية. يجب إرتداء عتاد الوقاية الخاص. كفتاح الوقاية من الغبار وأخذية الأمان الواقية من الإنزلاق والخوذ واقية الأذنين. حسب نوع واستعمال العدة الكهربائية، من خطر الإصابة بجروح.
- 3) تجنب التشغيل بشكل غير مقصود. تأكد من كون العدة الكهربائية مطفأة قبل وصلها بإمداد التيار الكهربائي و/أو بالمركم، وقيل رفعها أو حملها. إن كنت تضع إصبعك على المفتاح أثناء حمل العدة الكهربائية أو إن وصلت الجهاز بالشبكة الكهربائية عندما يكون قيد التشغيل. فقد يؤدي ذلك إلى حدوث الحوادث.
- 4) انزع عدد الضبط أو مفتاح الربط قبل تشغيل العدة الكهربائية. قد تؤدي العدة أو المفتاح المتواجد في جزء دوار من الجهاز إلى الإصابة بجروح.
- 5) تجنب أوضاع الجسم غير الطبيعية، قف بأمان وحافظ على توازنك دائماً. سيسمح لك ذلك من السيطرة على الجهاز بشكل أفضل في المواقف غير المتوقعة.
- 6) ارتد ملابس مناسبة. لا ترتدي الثياب الفضفاضة أو الخلي. حافظ على إبقاء الشعر والثياب والقفازات على بعد عن أجزاء الجهاز المتحركة. قد تتشابك الثياب الفضفاضة والخلي والشعر الطويل بالأجزاء المتحركة.
- 7) إن جاز تركيب جهاز شفط وجميع الغبار، فتأكد من أنها موصولة وبأنه يتم استخدامها بشكل سليم. قد يقلل استخدام تجهيزات لنشط الأغبرة من المخاطر الناتجة عن الأغبرة.
- 8) حسن معاملة واستخدام العدة الكهربائية
 - 1) لا تفرط في تحميل الجهاز. استخدم لتنفيذ أشغالك العدة الكهربائية المخصصة لذلك. إنك تعمل بشكل أفضل وأكثر أمناً بواسطة العدة الكهربائية الملائمة في مجال الأواء المذكور.
 - 2) لا تستخدم العدة الكهربائية إن كان مفتاح تشغيلها تالف. العدة الكهربائية التي لم تعد تسمح بتشغيلها أو بإطفاؤها خطيرة ويجب أن يتم تصليحها.
 - 3) اسحب القوايس من القابس و/أو انزع المركم قبل ضبط الجهاز وقيل إستبدال التوابع أو قبل وضع الجهاز جانباً. تمنع إجراءات الاحتياط هذه تشغيل العدة الكهربائية بشكل غير مقصود.
 - 4) احتفظ بالعدد الكهربائية التي لا يتم إستخدامها بعيداً عن متناول الأطفال. لا تسمح باستخدام العدة الكهربائية لمن لاخبرة له بها أو لمن لم يقرأ تلك التعليمات. العدة الكهربائية خطيرة إن تم استخدامها من قبل أشخاص دون خبرة.
 - 5) اعتن بالعدة الكهربائية بشكل جيد. تفحص عما إذا كانت أجزاء الجهاز المتحركة تعمل بشكل سليم وبأنها غير مستعصبة عن الحركة أو إن كانت هناك أجزاء مصورة أو تالفة لدرجة تؤثر فيها على حسن أداء العدة الكهربائية. ينبغي تصليح هذه الأجزاء التالفة قبل إعادة تشغيل الجهاز. الكثير من الحوادث مصدرها العدة الكهربائية التي تم صيانتها بشكل ردي.
 - 6) حافظ على إبقاء عدد القطع نظيفة وسادة. إن عدد القطع ذات حواف القطع الحادة التي تم صيانتها بعناية تتكليس بشكل أقل ويمكن توجيها بشكل أيسر.
 - 7) استخدم العدد الكهربائية والتوابع وعدد الشغل والخب حسب هذا التعليمات. تراعى أثناء ذلك شروط الشغل والعمل المراد تنفيذه. استخدام العدة الكهربائية لغير الأشغال المخصصة لأجلها قد يؤدي إلى حدوث الحالات الخطيرة.
 - 8) حسن معاملة واستخدام العدد المزودة بمركم
 - 1) اشحن المراكم فقط في أجهزة الشحن التي ينصح باستخدامها من طرف المنتج. يعم خطر نشوب الحرائق بأجهزة الشحن المخصصة لنوع معين من المراكم إن تم إستخدامها مع نوع آخر من المراكم.
 - 2) استخدم بالعدد الكهربائية فقط المراكم المخصصة لذلك. قد يؤدي استخدام المراكم الأخرى إلى الإصابات إلى خطر نشوب الحرائق.
 - 3) حافظ على إبعاد المراكم الذي لا يتم إستعماله عن مشابك الورق وقطع النقود المعدنية والفتايتح والمسامير واللوابب أو غيرها من الأغراض المعدنية الصغيرة التي قد تقوم بتوصيل الملامسين ببعضهما البعض. قد يؤدي تقصير الدارة الكهربائية بين ملامس المركم على الاحتراق أو إلى إنذاج النار.



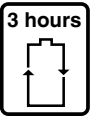
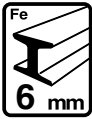
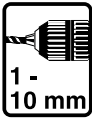
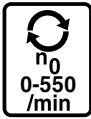
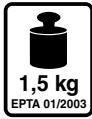
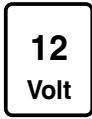




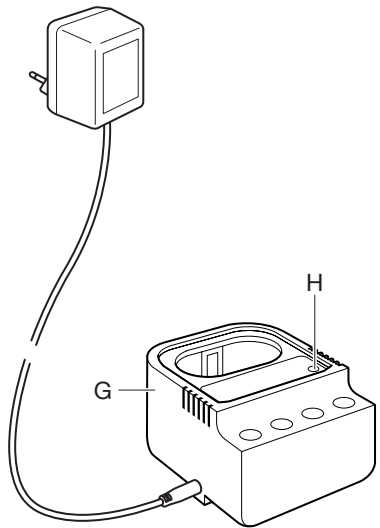
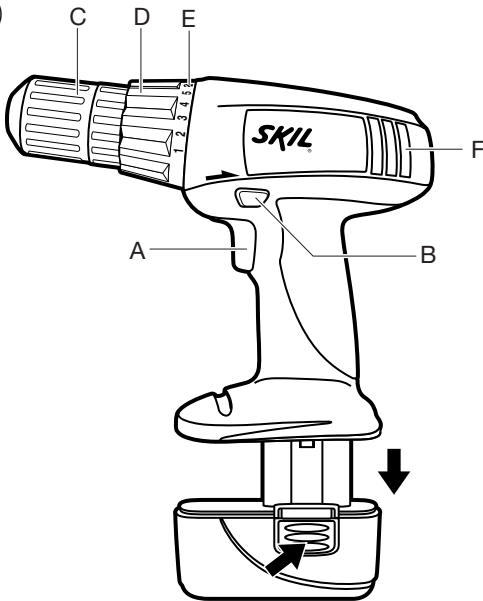


1

2395



2



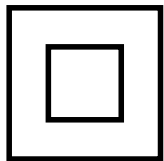
3



4



5



مثقاب لاسلكي/امفك

2395



SKIL[®]

دليل الاستعمال

AR

راهنماي اصلي

FA



2610Z05411

10/14

سكيل أوروبا ب.د.ق. - كونينانبرج 60
4825 ب.د. بريدا - هولندا



ИНСТРУМЕНТА

Сертификат о соответствии
KZ.7500052.22.01.04184
Срок действия сертификата
о соответствии
по 09.07.2018
ТОО «Центр Сертификации
продукции и услуг»
г. Алматы, ул Кабанбай батыра,
уг. КалдаякOVA 51/78



ЗАРЯДНОЕ УСТРОЙСТВО

Сертификат о соответствии
TC RU C-NL.AЯ46.B.65684
Срок действия сертификата
о соответствии
по 15.09.2019
ЗАО "РОСТЕСТ-Москва"
119049 г. Москва, ул. Житная,
д. 14, стр. 1



АНКУМУЛЯТОРНАЯ БАТАРЕЯ

Декларация о соответствии
POCC NL.AB02.D07258
Срок действия декларации
о соответствии
по 13.01.2017
ООО "ВСЦ Миратекс"
125493, Москва, Россия,
ул. Флотская д. 5А, ном. 14

ДАТА ПРОИЗВОДСТВА