

AUDITOR R-130S2

Woofer (5")

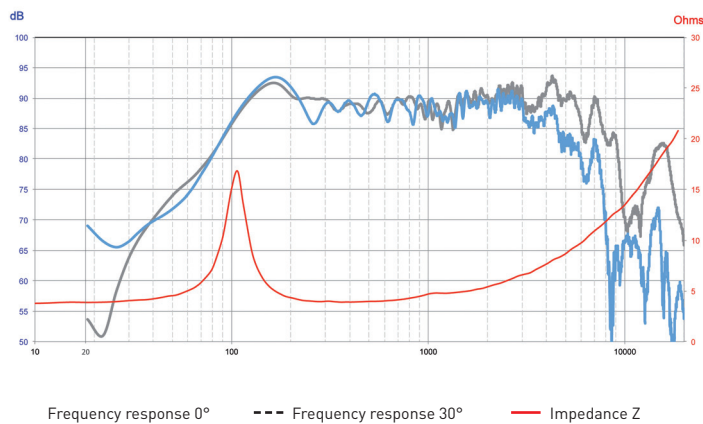


- Polypropylene Cone
- Steel basket

SPECIFICATIONS

Nominal power	50W RMS	
Maximum power	100W	
Sensitivity (2,83V/1m)	90dB	
Cone	Polypropylene	
Surround	Rubber	
Nom. impedance	4 Ω	
DC resistance	3.4 Ω	
VC diameter	25mm	1"
VC height	7.5mm	0 ¹⁹ / ₆₄ "
Former	Kapton	
Layers	2	
Wire	Copper	
Xmax	± 2mm	0 ⁵ / ₆₄ "
Magnet d x h	86mm x 15mm	3 ²⁵ / ₆₄ x 0 ¹⁹ / ₃₂ "
Flux density	1.2T	
Gap height	3.5mm	0 ⁹ / ₆₄ "
Net weight	700g	1.54 lbs

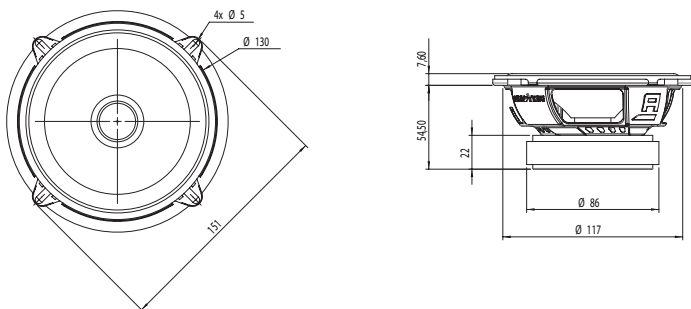
FREQUENCY RESPONSE/IMPEDANCE



PARAMETERS

Fs	103Hz
Vas	2.96L
Qts	0.887
Qes	1.1
Qms	4.57
Re	3.4 Ω
Sd	83.32cm ²
Cas	2.10E-08m ⁵ /N
Mas	123.58 Kg/m ⁴
Ras	16768.55 Ω.ac
Cms	3.03E-04m/N
Mms	8.58g
Rms	1.164Kg/s
Ces	473.05mF
Les	5.50mH
Res	15.58 Ω
BI	4.26N/A
SPL	85.96dB
f-3dans 30L	86Hz

MECHANICAL DRAWING



Performance
CREATE YOUR SOUND

FOCAL
THE SPIRIT OF SOUND