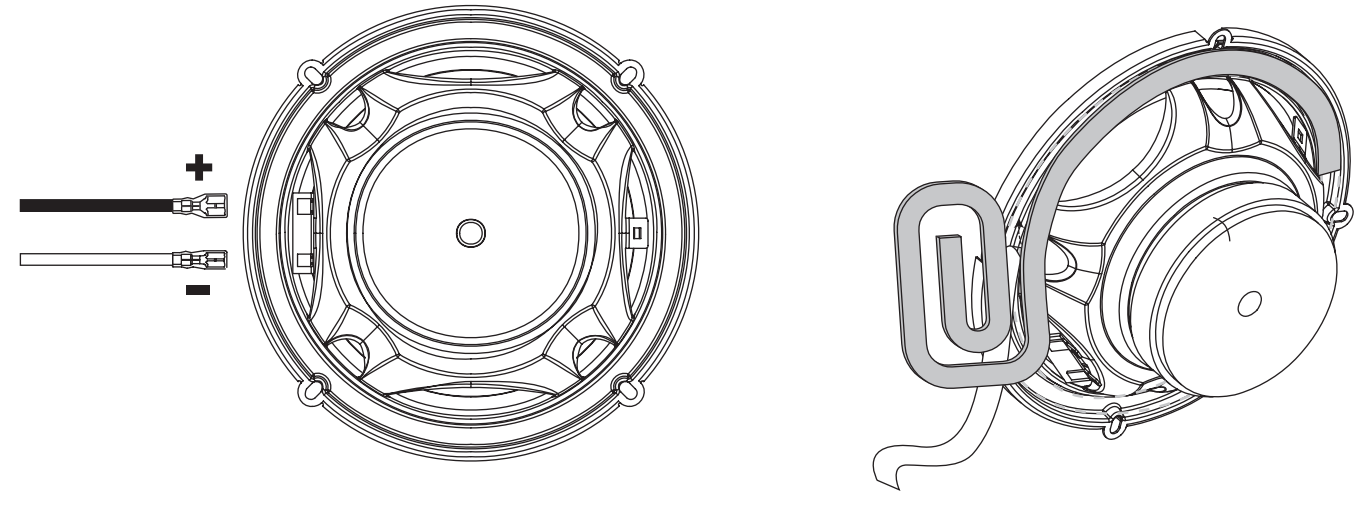
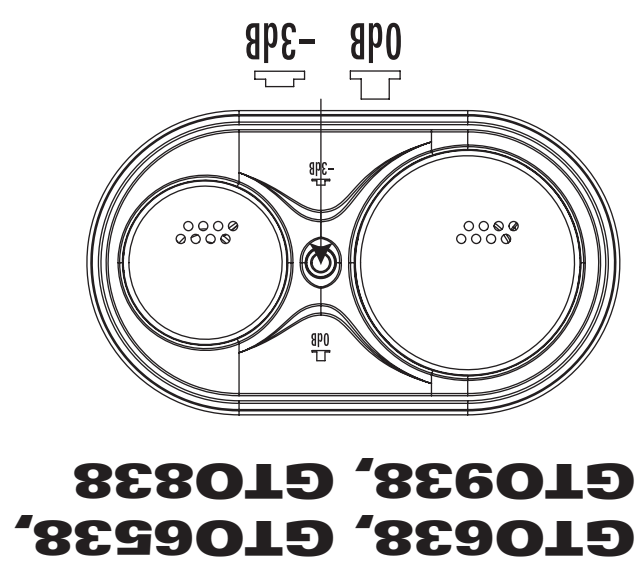


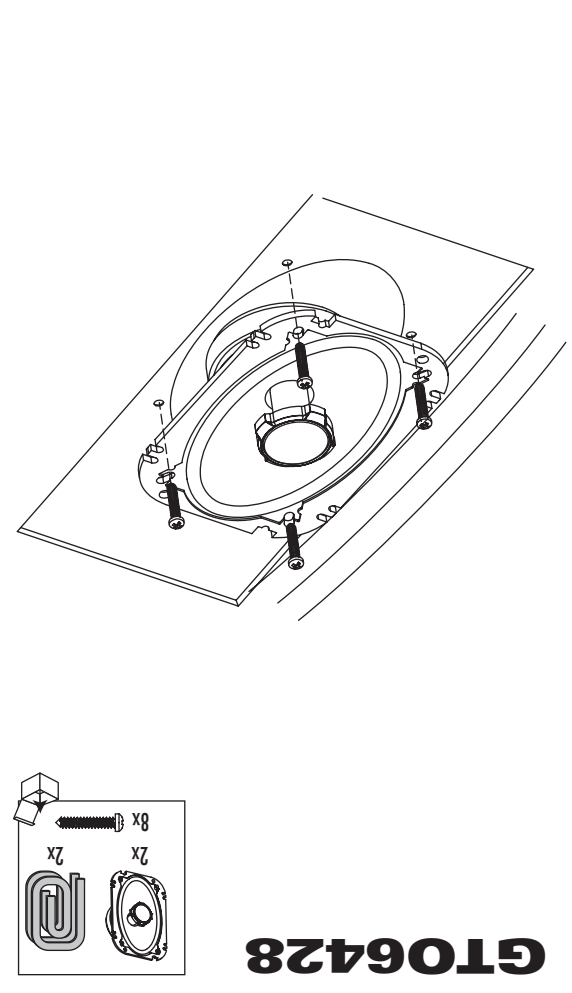
GT0928, GT06528, GT08628, GT0528, GT0628, GT0638,



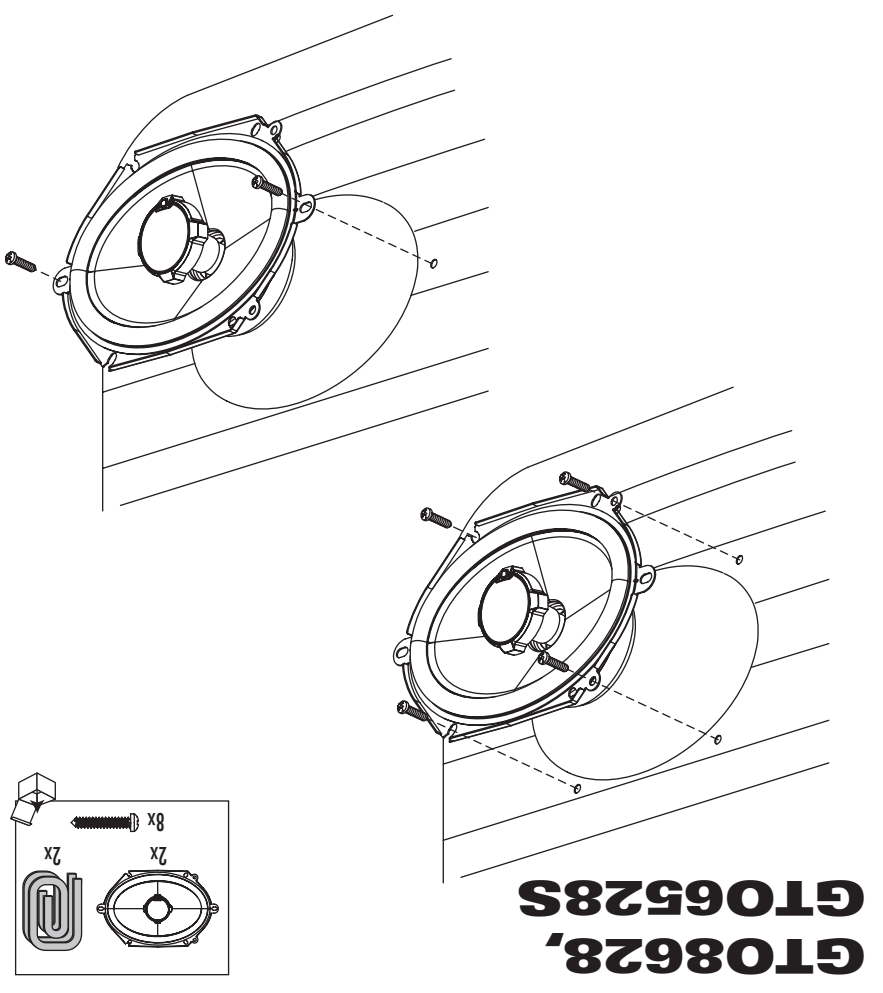
GT0428, GT0528, GT0628, GT0638, GT06528, GT06528S, GT06538, GT0838, GT0928, GT0938, GT0328, GT08628



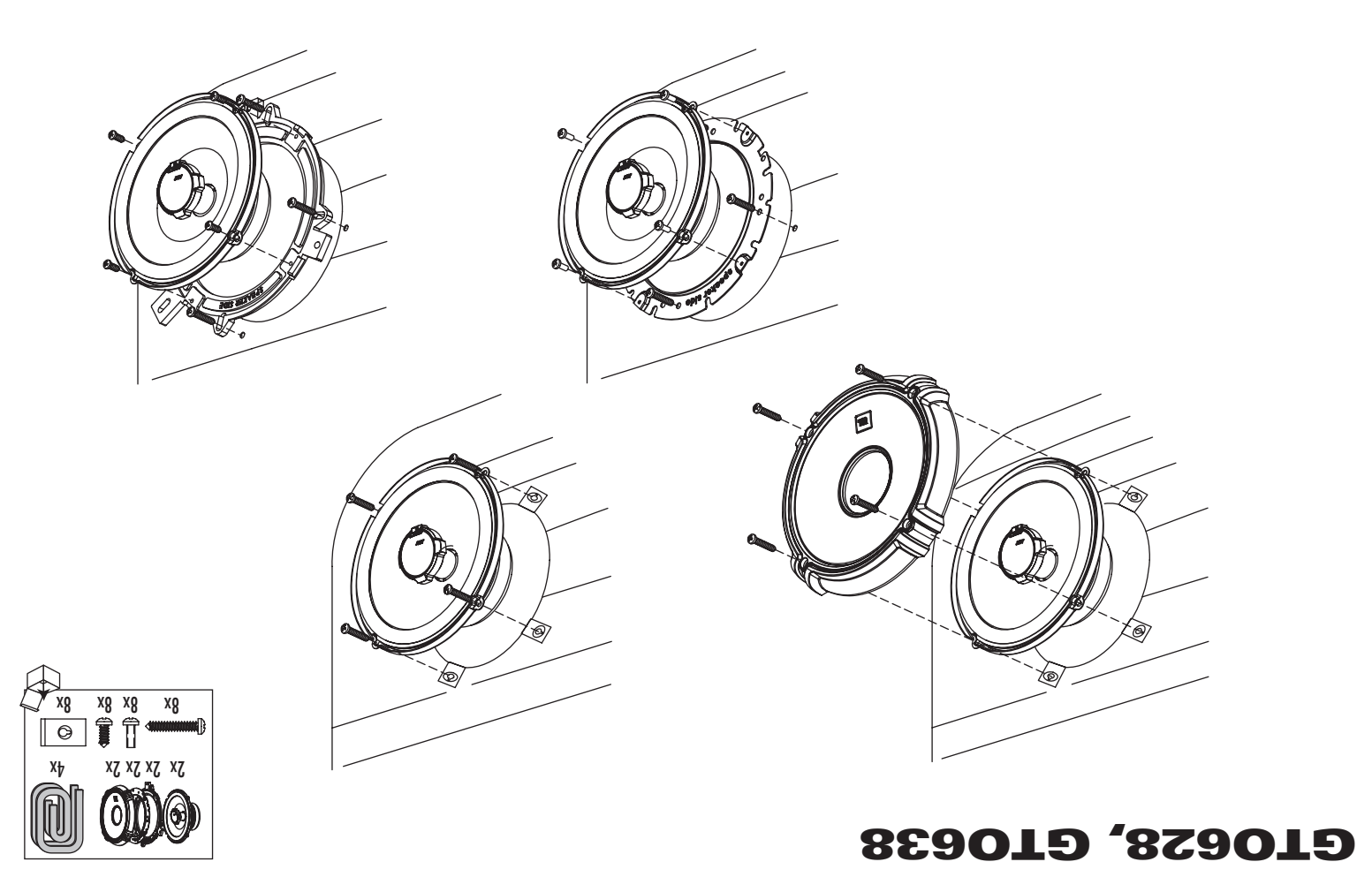
GT0638, GT06538, GT0938, GT0838



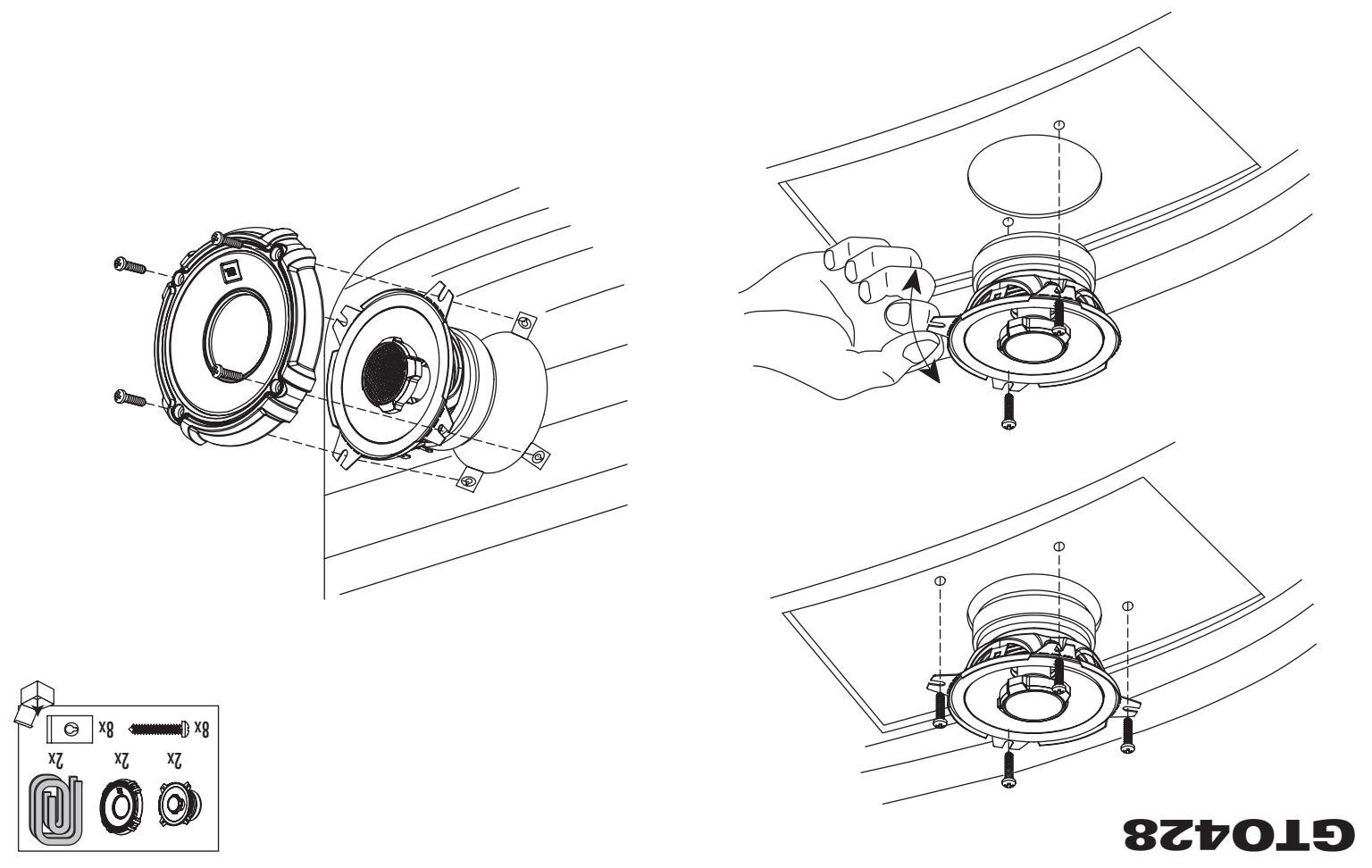
GT06428



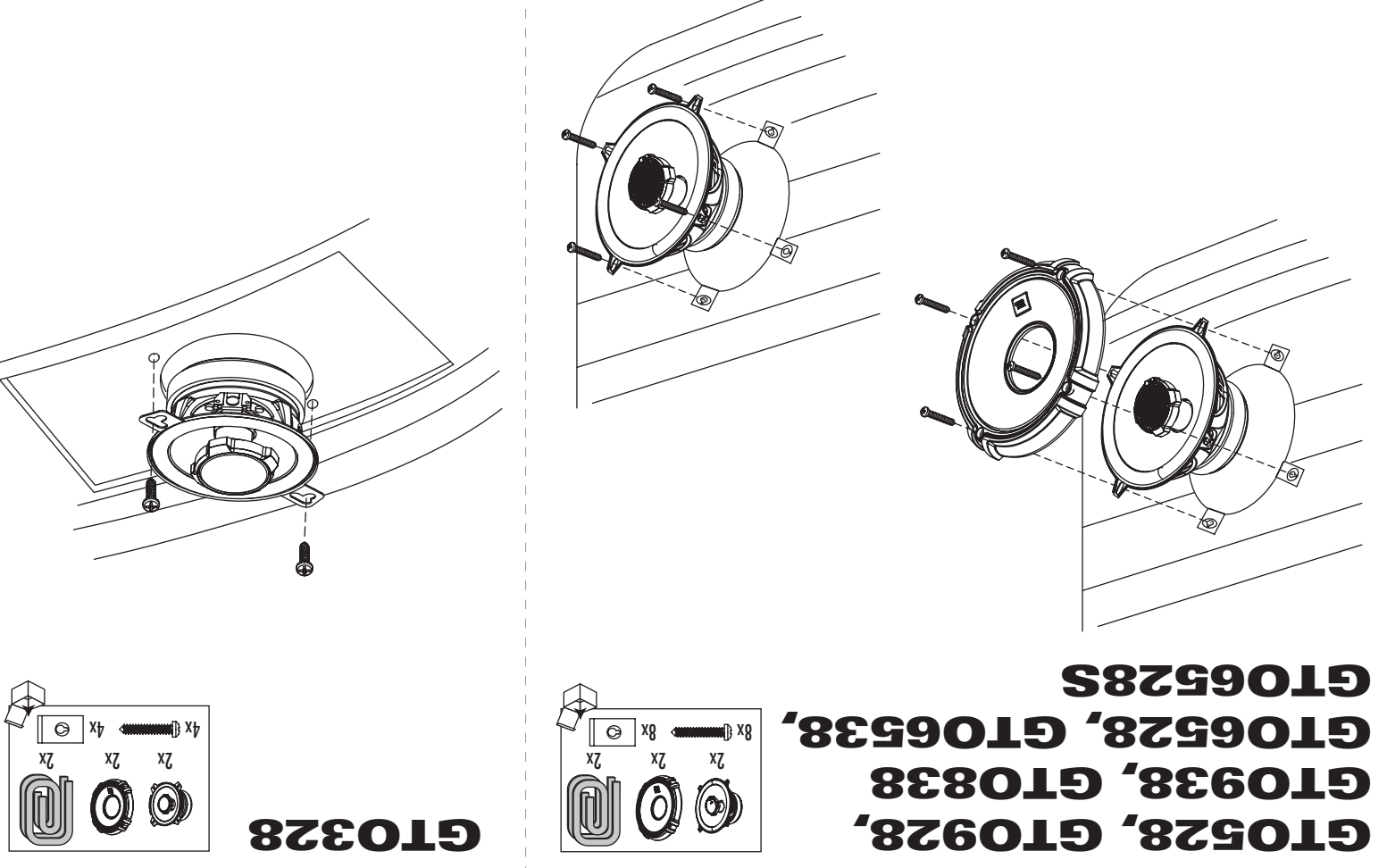
GT08628, GT06528S



GT0628, GT0638



GT0428



GT0528, GT0928, GT0938, GT0838, GT06528, GT06538

Designed and engineered in the USA.
 A valid serial number is required for warranty coverage.
 Features, specifications and appearance are subject to change without notice.
 These products are designed for mobile applications and are not intended for connection to the mains.
 Harman Consumer Group, Inc., 250 Crossways Park Drive, Woodbury, NY 11797 USA • www.jbl.com
 © 2008 Harman International Industries, Incorporated. All rights reserved. Part No. GT0ME0M4/08
 JBL and Grand Touring are trademarks of Harman International Industries, Incorporated, registered in the United States and/or other countries.
 H A Harman International Company

Declaration of Conformity
 CE
 We, Harman Consumer Group, Inc.
 2, route de Tours
 72500 Château du Loir
 France
 declare in own responsibility that the products described in this owner's manual are in compliance with technical standards:
 EN 61000-6-3:2001
 EN 61000-6-1:2001
 Klaus Leberitz
 Harman Consumer Group, Inc.
 Château du Loir, France 4/08



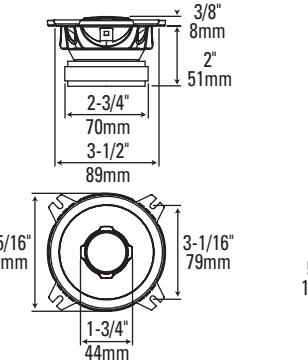
www.jbl.com

GRAND TOURING® SERIES

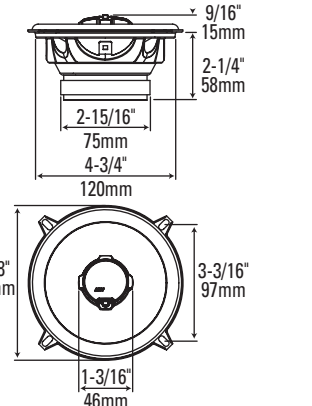
- GT0428**
- GT0528**
- GT0628**
- GT0638**
- GT06528**
- GT06528S**
- GT06538**
- GT0838**
- GT0928**
- GT0938**
- GT0328**
- GT06428**
- GT08628**



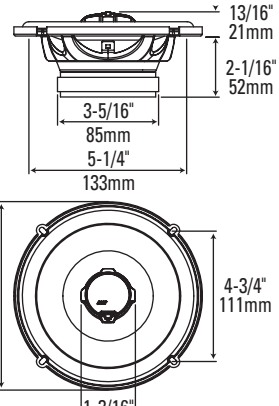
GTO428



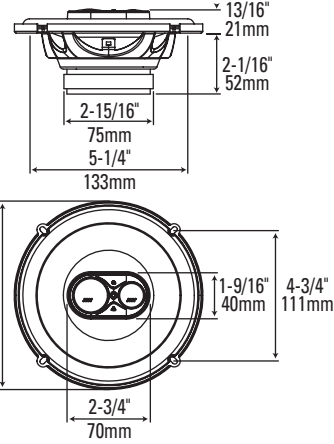
GTO528



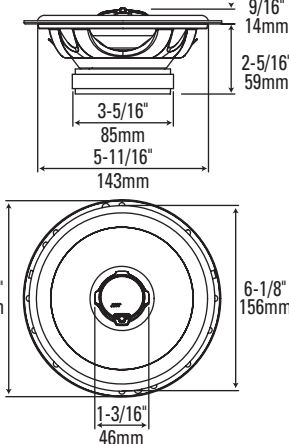
GTO628



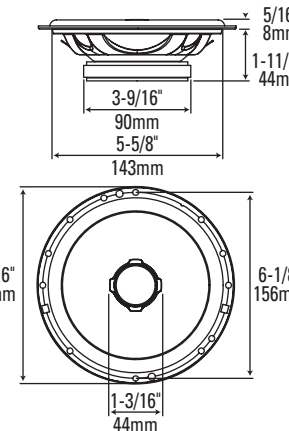
GTO638



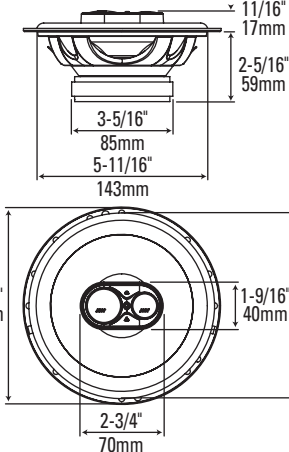
GTO6528



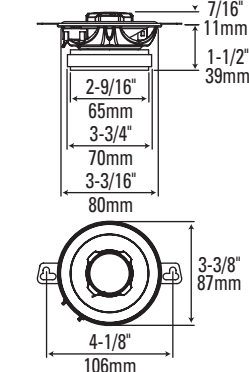
GTO6528S



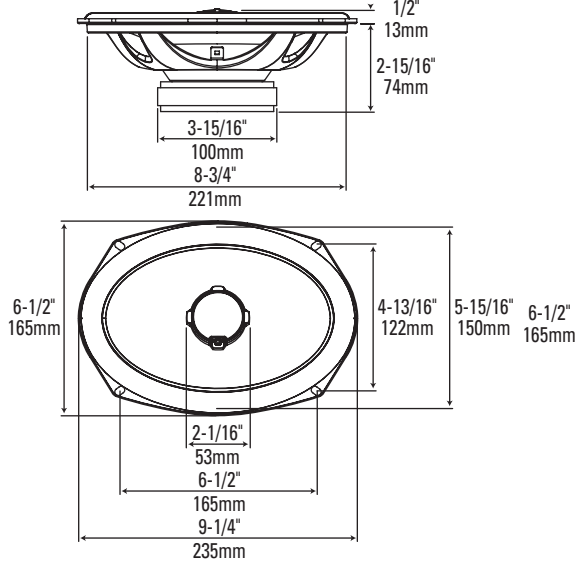
GTO6538



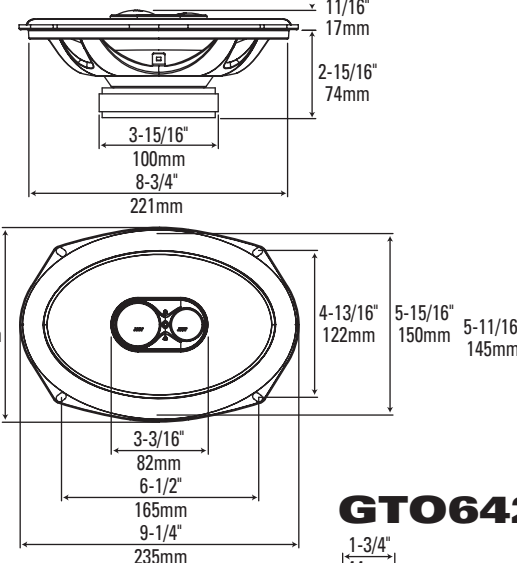
GTO328



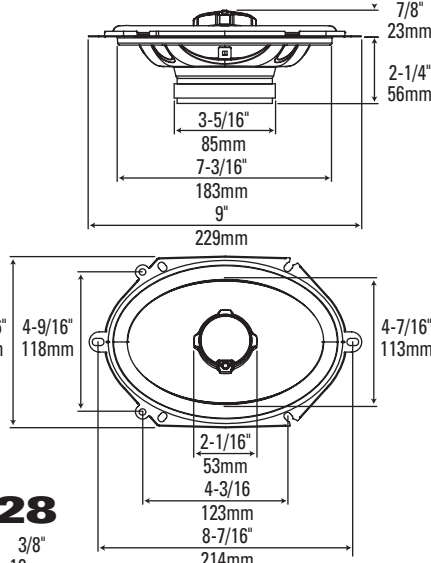
GTO928



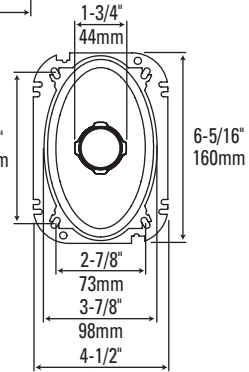
GTO938



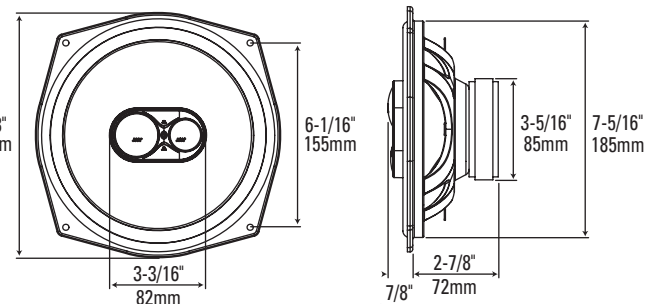
GTO8628



GTO6428



GTO838



	GTO428	GTO528	GTO628	GTO638	GTO6528	GTO6528S	GTO6538	GTO838	GTO928	GTO938	GTO328	GTO6428	GTO8628
BL (T- Ω)	3.00	3.65	4.16	3.75	4.02	3.49	3.42	5.01	4.73	4.64	2.38	3.88	4.02
DCR (ohms)	2.29	2.63	2.28	2.58	2.32	2.29	2.28	2.47	2.31	2.35	2.35	2.25	2.25
Mms (g)	4.94	8.78	13.51	13.44	12.50	11.57	9.60	22.69	24.65	23.00	2.98	8.34	16.04
Sd (sq cm)	50.3	86.6	122.7	122.7	130.6	130.6	130.6	213.8	224.0	224.0	33.2	80.0	163.0
Cms (μ m/N)	259	340	306	265	233	233	305	620	321	323	458	132	242
Vas (l)	0.92	3.58	6.47	5.61	5.58	5.58	7.31	39.81	22.62	22.76	0.71	1.19	9.03
Fs (Hz)	140.7	92.1	78.3	84.3	93.3	96.9	93.0	42.4	56.6	58.4	136.2	151.7	80.8
Qes	1.11	1.00	0.88	1.31	1.05	1.32	1.09	0.60	0.90	0.92	1.06	1.14	1.13
Qms	5.07	6.38	7.79	7.84	9.75	7.09	8.90	11.04	9.23	9.24	5.26	8.93	10.08
Qt	0.91	0.87	0.79	1.12	0.95	1.12	0.97	0.56	0.82	0.84	0.88	1.01	1.02

GB

SPECIFICATIONS	GTO428	GTO528	GTO628	GTO638	GTO6528	GTO6528S	GTO6538	GTO838	GTO928	GTO938	GTO328	GTO6428	GTO8628
Type:	4" 2-Way	5-1/4" 2-Way	6-1/2" · 6-3/4" 2-Way	6-1/2" · 6-3/4" 3-Way	165mm 2-Way	165mm 2-Way Shallow	165mm 3-Way						
Nominal Impedance:	2 Ohms	2 Ohms	2 Ohms	2 Ohms	2 Ohms	2 Ohms	2 Ohms	2 ohm	2 ohm	2 ohm	2 Ohms	2 Ohms	2 ohm
Power Handling, RMS:	35W	45W	60W	60W	60W	60W	60W	35 W	45 W	60 W	60W	60W	60 W
Power Handling, Peak:	105W	135W	180W	180W	180W	180W	180W	105 W	135 W	180 W	100W	100W	165 W
Frequency Response:	75Hz – 21kHz	65Hz – 21kHz	50Hz – 21kHz	50Hz – 21kHz	50Hz – 21kHz	50Hz – 21kHz	50Hz – 21kHz	75 Hz – 21 kHz	65 Hz – 21 kHz	50 Hz – 21 kHz	50 Hz – 21 kHz	50 Hz – 21 kHz	55 Hz – 21 kHz
Sensitivity (2.83V, 1m):	90dB	91dB	92dB	92dB	92dB	92dB	92dB	90 dB	91 dB	92 dB	90dB	92dB	92 dB
Type:	GTO838 8" 3-Way	GTO928 6" x 9" 2-Way	GTO938 6" x 9" 3-Way	GTO328 3-1/2" 2-Way	GTO6428 4" x 6" 2-Way	GTO8628 5" x 7" 6" x 8" 2-Way							
Nominal Impedance:	2 Ohms	2 Ohms	2 Ohms	2 Ohms	2 Ohms	2 Ohms	2 Ohms	2 Ohm	2 ohm	2 ohm	2 Ohms	2 Ohms	2 ohm
Power Handling, RMS:	100W	100W	100W	25W	40W	60W	60W	100 W	100 W	100 W	25W	40W	60 W
Power Handling, Peak:	300W	300W	300W	75W	120W	180W	180W	300 W	300 W	300 W	75 W	120 W	180 W
Frequency Response:	40Hz – 21kHz	45Hz – 21kHz	45Hz – 21kHz	90Hz – 20kHz	75Hz – 21kHz	50Hz – 21kHz	50Hz – 21kHz	40 Hz – 21 kHz	45 Hz – 21 kHz	45 Hz – 21 kHz	90 Hz – 20 kHz	75 Hz – 21 kHz	50 Hz – 21 kHz
Sensitivity (2.83V, 1m):	94dB	94dB	94dB	89dB	91dB	92dB	92dB	94 dB	94 dB	94 dB	89 dB	91 dB	92 dB

GENERAL CARE: The loudspeaker grilles may be cleaned with a damp cloth. Do not use any cleaners or solvents on the grilles or the speaker cones.
WARRANTY: Grand Touring® Series speakers are warranted against defects. The duration of the speaker's warranty depends on the laws in the country in which it was purchased. Your local JBL® car audio retailer can help you determine the length of your warranty. To register your product, please visit www.jbl.com.

DE

TECHNISCHE DATEN	GTO428	GTO528	GTO628	GTO638	GTO6528	GTO6528S	GTO6538	GTO838	GTO928	GTO938	GTO328	GTO6428	GTO8628
Type:	4" 2-Wege	5-1/4" 2-Wege	6-1/2" · 6-3/4" 2-Wege	6-1/2" · 6-3/4" 3-Wege	165mm 2-Wege	165mm 2-Wege auf Schallwand vormontiert	165mm 3-Wege						
Nennimpedanz:	2 Ohm	2 Ohm	2 Ohm	2 Ohm	2 Ohm	2 Ohm	2 Ohm	2 Ohm	2 Ohm	2 Ohm	2 Ohm	2 Ohm	2 Ohm
Belastbarkeit, RMS:	35 Watt	45 Watt	60 Watt	60 Watt	60 Watt	60 Watt	60 Watt	35 Watt	45 Watt	60 Watt	60 Watt	60 Watt	60 Watt
Belastbarkeit, Spitze:	105 Watt	135 Watt	180 Watt	180 Watt	180 Watt	180 Watt	180 Watt	105 Watt	135 Watt	180 Watt	100 Watt	100 Watt	165 Watt
Frequenzbereich:	75Hz – 21kHz	65Hz – 21kHz	50Hz – 21kHz	50Hz – 21kHz	50Hz – 21kHz	50Hz – 21kHz	50Hz – 21kHz	75 Hz – 21 kHz	65 Hz – 21 kHz	50 Hz – 21 kHz	50 Hz – 21 kHz	50 Hz – 21 kHz	55 Hz – 21 kHz
Wirkungsgrad @ 2,83V/1 meter:	90 dB	91 dB	92 dB	92 dB	92 dB	92 dB	92 dB	90 dB	91 dB	92 dB	90 dB	92 dB	92 dB
Type:	GTO838 8" 3-Wege	GTO928 6" x 9" 2-Wege	GTO938 6" x 9" 3-Wege	GTO328 3-1/2" 2-Wege	GTO6428 4" x 6" 2-Wege	GTO8628 5" x 7" 6" x 8" 2-Wege							
Nennimpedanz:	2 Ohm	2 Ohm	2 Ohm	2 Ohm	2 Ohms	2 Ohms	2 Ohms	2 Ohm	2 Ohm	2 Ohm	2 Ohm	2 Ohm	2 Ohm
Belastbarkeit, RMS:	100 Watt	100 Watt	100 Watt	25 Watt	40 Watt	60 Watt	60 Watt	100 Watt	100 Watt	100 Watt	25 Watt	40 Watt	60 Watt
Belastbarkeit, Spitze:	300 Watt	300 Watt	300 Watt	75 Watt	120 Watt	180 Watt	180 Watt	300 Watt	300 Watt	300 Watt	75 Watt	120 Watt	180 Watt
Frequenzbereich:	40Hz – 21kHz	45Hz – 21kHz	45Hz – 21kHz	90Hz – 20kHz	75Hz – 21kHz	50Hz – 21kHz	50Hz – 21kHz	40 Hz – 21 kHz	45 Hz – 21 kHz	45 Hz – 21 kHz	90 Hz – 20 kHz	75 Hz – 21 kHz	50 Hz – 21 kHz
Wirkungsgrad @ 2,83V/1 meter:	94 dB	94 dB	94 dB	89 dB	91 dB	92 dB	92 dB	94 dB	94 dB	94 dB	89 dB	91 dB	92 dB

ALLGEMEINE PFLEGE: Die Köpfe der Frontabdeckungen mit einem feuchten Tuch abwischen. Verwenden Sie bitte keine Reinigungsmittel oder Polituren beim Reinigen der Frontabdeckungen und Membranen.
GARANTIE: Sollte ein Defekt auftreten, können Sie die Herstellergarantie in Anspruch nehmen. Die Laufzeit dieser Garantie hängt von den Bestimmungen jenes Landes ab, in dem das Produkt gekauft wurde. Ihr lokaler JBL Fachhändler wird die Garantiedauer für Sie ermitteln. Sie können Ihr Produkt unter www.jbl.com registrieren.

F

CARACTÉRISTIQUES	GTO428	GTO528	GTO628	GTO638	GTO6528	GTO6528S	GTO6538	GTO838	GTO928	GTO938	GTO328	GTO6428	GTO8628
Type:	4" 2-voies	5-1/4" 2-voies	6-1/2" · 6-3/4" 2-voies	6-1/2" · 6-3/4" 3-voies	165 mm 2-voies	165 mm à 2 voies Faible profondeur	165 mm 3-voies						
Impédance nominale :	2 Ohms	2 Ohms	2 Ohms	2 Ohms	2 Ohms	2 Ohms	2 Ohms	2 Ohm	2 Ohm	2 Ohm	2 Ohms	2 Ohms	2 Ohm
Tenue en puissance, RMS :	35W	45W	60W	60W	60W	60W	60W	35 W	45 W	60 W	60W	60W	60 W
Tenue en puissance, max. :	105W	135W	180W	180W	180W	180W	180W	105 W	135 W	180 W	100W	100W	165 W
Réponse en fréquence :	75Hz – 21kHz	65Hz – 21kHz	50Hz – 21kHz	50Hz – 21kHz	50Hz – 21kHz	50Hz – 21kHz	50Hz – 21kHz	75 Hz – 21 kHz	65 Hz – 21 kHz	50 Hz – 21 kHz	50 Hz – 21 kHz	50 Hz – 21 kHz	55 Hz – 21 kHz
Sensibilité @ 2,83V/1m :	90dB	91dB	92dB	92dB	92dB	92dB	92dB	90 dB	91 dB	92 dB	90dB	92dB	92 dB
Type:	GTO838 8" 3-voies	GTO928 6" x 9" 2-voies	GTO938 6" x 9" 3-voies	GTO328 3-1/2" 2-voies	GTO6428 4" x 6" 2-voies	GTO8628 5" x 7" 6" x 8" 2-voies							
Impédance nominale :	2 Ohms	2 Ohms	2 Ohms	2 Ohms	2 Ohms	2 Ohms	2 Ohms	2 Ohm	2 Ohm	2 Ohm	2 Ohms	2 Ohms	2 Ohm
Tenue en puissance, RMS :	100W	100W	100W	25W	40W	60W	60W	100 W	100 W	100 W	25W	40W	60 W
Tenue en puissance, max. :	300W	300W	300W	75W	120W	180W	180W	300 W	300 W	300 W	75 W	120 W	180 W
Réponse en fréquence :	40Hz – 21kHz	45Hz – 21kHz	45Hz – 21kHz	90Hz – 20kHz	75Hz – 21kHz	50Hz – 21kHz	50Hz – 21kHz	40 Hz – 21 kHz	45 Hz – 21 kHz	45 Hz – 21 kHz	90 Hz – 20 kHz	75 Hz – 21 kHz	50 Hz – 21 kHz
Sensibilité @ 2,83V/1m :	94dB	94dB	94dB	89dB	91dB	92dB	92dB	94 dB	94 dB	94 dB	89 dB	91 dB	92 dB

ENTRETIEN GÉNÉRAL : Les grilles d'enceinte peuvent être nettoyées avec un chiffon humide. N'utilisez aucun nettoyant ou solvant sur les grilles ou les cônes d'enceinte.
GARANTIE : Les Grand Touring® sont garantis contre tout défaut. La durée de garantie du caisson dépend des lois du pays dans lequel il a été acheté. Votre détaillant local JBL d'audio d'automobile peut vous aider à déterminer la durée de la garantie. Pour enregistrer votre produit, veuillez nous rendre visite sur www.jbl.com.

ESP

ESPECIFICACIONES	GTO428	GTO528	GTO628	GTO638	GTO6528	GTO6528S	GTO6538	GTO838	GTO928	GTO938	GTO328	GTO6428	GTO8628
Type:	4" 2-voies	5-1/4" 2-voies	6-1/2" · 6-3/4" 2-voies	6-1/2" · 6-3/4" 3-voies	165 mm 2-voies	165 mm à 2 voies Faible profondeur	165 mm 3-voies						
Impedancia nominal:	2 ohmios	2 ohmios	2 ohmios	2 ohmios	2 ohmios	2 ohmios	2 ohmios	2 Ohms	2 Ohms	2 Ohms	2 Ohms	2 Ohms	2 Ohms
Manejo de potencia, RMS:	35W	45W	60W	60W	60W	60W	60W	35 W	45 W	60 W	60W	60W	60 W
Manejo de potencia, pico:	105W	135W	180W	180W	180W	180W	180W	105 W	135 W	180 W	100W	100W	165 W
Respuesta en frecuencia:	75Hz – 21kHz	65Hz – 21kHz	50Hz – 21kHz	50Hz – 21kHz	50Hz – 21kHz	50Hz – 21kHz	50Hz – 21kHz	75 Hz – 21 kHz	65 Hz – 21 kHz	50 Hz – 21 kHz	50 Hz – 21 kHz	50 Hz – 21 kHz	55 Hz – 21 kHz
Sensibilidad 2.83V @ 1 metro:	90dB	91dB	92dB	92dB	92dB	92dB	92dB	90 dB	91 dB	92 dB	90dB	92dB	92 dB
Type:	GTO838 8" 3-voies	GTO928 6" x 9" 2-voies	GTO938 6" x 9" 3-voies	GTO328 3-1/2" 2-voies	GTO6428 4" x 6" 2-voies	GTO8628 5" x 7" 6" x 8" 2-voies							
Impedancia nominal:	2 ohmios	2 ohmios	2 ohmios	2 ohmios	2 ohmios	2 ohmios	2 ohmios	2 Ohms	2 Ohms	2 Ohms	2 Ohms	2 Ohms	2 Ohms
Manejo de potencia, RMS:	100W	100W	100W	25W	40W	60W	60W	100 W	100 W	100 W	25W	40W	60 W
Manejo de potencia, pico:	300W	300W	300W	75W	120W	180W	180W	300 W	300 W	300 W	75 W	120 W	180 W
Respuesta en frecuencia:	40Hz – 21kHz	45Hz – 21kHz	45Hz – 21kHz	90Hz – 20kHz	75Hz – 21kHz	50Hz – 21kHz	50Hz – 21kHz	40 Hz – 21 kHz	45 Hz – 21 kHz	45 Hz – 21 kHz	90 Hz – 20 kHz	75 Hz – 21 kHz	50 Hz – 21 kHz
Sensibilidad 2.83V @ 1 metro:	94dB	94dB	94dB	89dB	91dB	92dB	92dB	94 dB	94 dB	94 dB	89 dB	91 dB	92 dB

CUIDADOS GENERALES: Las rejillas del altavoz pueden limpiarse con un paño húmedo. No utilice líquidos limpiadores ni disolventes en las rejillas ni en los conos del altavoz.
GARANTIA: Las Grand Touring® están garantizadas contra cualquier defecto. La duración de la garantía de la caja varía en función de las leyes del país en el que se adquirió. Su distribuidor local de JBL car audio le ayudará a determinar la duración de su garantía. Para registrar el producto, visitenos en www.jbl.com.

NED

SPECIFICHE	GTO428	GTO528	GTO628	GTO638	GTO6528	GTO6528S	GTO6538	GTO838	GTO928	GTO938	GTO328	GTO6428	GTO8628
Type:	4" 2-vie	5-1/4" 2-vie	6-1/2" · 6-3/4" 2-vie	6-1/2" · 6-3/4" 3-vie	165mm 2-vie	165mm 2-vie Superficie	165mm 3-vie						
Nominale impedantie:	2 Ohm	2 Ohm	2 Ohm	2 Ohm	2 Ohm	2 Ohm	2 Ohm	2 Ohm	2 Ohm	2 Ohm	2 Ohm	2 Ohm	2 Ohm
Belastbaarheid RMS:	35W	45W	60W	60W	60W	60W	60W	35 W	45 W	60 W	60W	60W	60 W
Belastbaarheid Piek:	105W	135W	180W	180W	180W	180W	180W	105 W	135 W	180 W	100W	100W	165 W
Frequentiebereik:	75Hz – 21kHz	65Hz – 21kHz	50Hz – 21kHz	50Hz – 21kHz	50Hz – 21kHz	50Hz – 21kHz	50Hz – 21kHz	75 Hz – 21 kHz	65 Hz – 21 kHz	50 Hz – 21 kHz	50 Hz – 21 kHz	50 Hz – 21 kHz	55 Hz – 21 kHz
Gevoeligheid 2,83V @ 1 meter:	90dB	91dB	92dB	92dB	92dB	92dB	92dB	90 dB	91 dB	92 dB	90dB	92dB	92 dB
Type:	GTO838 8" 3-vie	GTO928 6" x 9" 2-vie	GTO938 6" x 9" 3-vie	GTO328 3-1/2" 2-vie	GTO6428 4" x 6" 2-vie	GTO8628 5" x 7" 6" x 8" 2-vie							
Nominale impedantie:	2 Ohm	2 Ohm	2 Ohm	2 Ohm	2 Ohm	2 Ohm	2 Ohm	2 Ohm	2 Ohm	2 Ohm	2 Ohm	2 Ohm	2 Ohm
Belastbaarheid RMS:	100W	100W	100W	25W	40W	60W	60W	100 W	100 W	100 W	25W	40W	