



NOUS VIVONS SAIN
We live healthy

VITESSE[®]
Home

**CONVECTION OVEN
КОНВЕКЦИОННАЯ
ПЕЧЬ**



“Vitesse France S.A.R.L.” (Витессе, Франция)
91 Rue De Фоборг Сант Хонор, Париж 75008, Франция
Сделано в Китае

www.vitesse.ru



VS-406

En

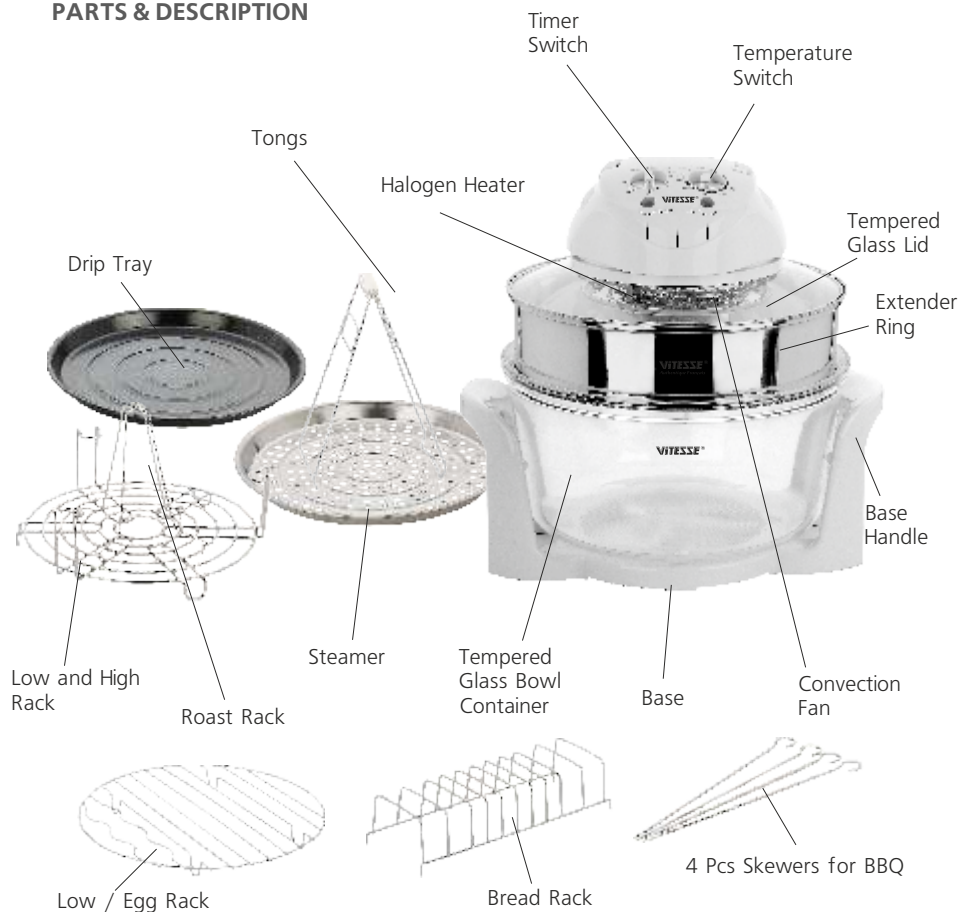
DEAR CUSTOMER!

You have made an excellent decision. Vitesse® "Nouveau" home range offers you an exclusive, high quality range of appliances for your ultimate home luxury and healthy living.

INSTRUCTION MANUAL & RECIPES

Before operating your oven toaster, please read all instructions carefully and keep for future reference.

PARTS & DESCRIPTION



IMPORTANT SAFEGUARDS ..

When using electrical appliances, basic safety precautions should always be followed, including the following:

1. Read all instructions before operating.
2. Do not touch hot surfaces. Use handles or knobs.
3. Remove all packaging plastics and other materials from unit before operating.
4. Wash all removable accessories before using for the first time.
5. Unit should be turned on to MAX temperature for 10 minutes for the first time to burn off any access manufacturing or packaging oils.
6. To protect against electrical shock, do not immerse cord, plug or appliance itself in water or other liquids.
7. Close supervision is necessary when appliance is used by or near children.
8. Unplug from outlet when not in use and before cleaning. Allow to cool before putting on or taking off parts.
9. Do not operate any appliance with a damaged cord or plug or after the appliance malfunctions or has been damaged in any manner. Return the appliance to the nearest authorized service facility for examination, repair or adjustment.
10. The use of accessory attachments not recommended by the appliance manufacturer may cause injuries.
11. Do not use outdoors.
12. Do not let cord hang over edge of table or counter or touch hot surfaces.
13. Do not place on or near a hot gas or electric burner, or in a heated oven.
14. Always attach plug to appliance first, then plug cord into wall outlet. To disconnect, turn any control to OFF position, then remove plug from wall outlet.
15. Oversized foods or metal utensils must not be inserted in the appliance as they may cause a fire or risk of electrical shock.
16. A fire may occur if the appliance is covered or touching flammable material including curtains, draperies, walls and the like when in operation.
17. Do not clean with metal scouring pads. Pieces can break off the pad and touch electrical parts, involving a risk of electrical shock.
18. Extreme caution should be exercised when using containers constructed of other material other than metal or glass.
19. Do not store any materials other than manufacturer's recommended accessories in this oven when not in use.
20. Do not place any of the following materials in the oven: Paper, cardboard, plastic and the like.
21. **Never leave the unit unattended.**

SAVE THESE INTRUCTIONS

THIS PRODUCT IS FOR HOUSEHOLD USE ONLY!

SPECIAL FEATURES ..

- **No Burnt Residue** – The Turbo Oven cooks with circulating hot air which will cook food evenly, but never produces any burnt residue.
- **Easy to Operate** – No need to rotate food during cooking, the circulating hot air will roast, bake or steam food evenly.
- **Power Saving** – The Turbo Oven is equipped with a timer and built-in thermostat to minimize over-cooking and over usage of electric power.
- **Completely Transparent** – The Turbo Oven is constructed entirely of heat-resistant clear glass for easy viewing of cooking process.
- **Flavor Seal** – Moisture and flavor is always sealed in due to the hot circulating cooking air.
- **Easy to Clean** – All parts are easy to clean. Simply use a damp cloth.

USING YOUR TURBO OVEN..

- 1) Make sure the power cord is unplugged. Clean the main cooking glass container.
NOTE: During the cooking process, the container gets very hot. Make sure to always place the Turbo Oven on a heat resistant surface.
- 2) Place the cooking rack into the glass container. Place food onto the rack in the center to receive the best air circulation.
NOTE: Always allow 1/2" between the food and the bottom of the glass container.
- 3) Cover the glass container with the glass cover, making sure it is sitting correctly.
- 4) Plug in the power cord to a wall outlet.
- 5) Turn the automatic thermostat control to the desired temperature.
- 6) Use the reference table as a guide to set the timer to the desired time.
NOTE: When the desired temperature is reached, the temperature indicator light will shut off automatically.
- 7) The Turbo Oven will automatically shut off when the cooking time has elapsed.
- 8) Let food sit for approximately 3-5 minutes covered.
- 9) After lifting up the glass cover, the safety switch will automatically restore and the power will be completely disconnected.
- 10) Unplug the power cord from the wall outlet.
- 11) If cooking in the Turbo Oven for less than 10 minutes, always turn the timer to approximately 20 minutes first and then turn it back to the desired time.

COOKING REFERENCE TABLE:

TEMPERATURE	FOOD	QUANTITY	TIME
180 - 200°C	Whole Chicken	4.5 lbs.	35 minutes
180 - 200°C	Sliced Pork	1 lb.	7-8 minutes
180 - 200°C	Drumsticks	8 pcs	15 minutes
230 - 260°C	Fish	10 pcs	7-8 minutes
180 - 200°C	Clams	1 lb.	5-7 minutes
230 - 260°C	Shrimp	1 lb.	5 minutes
230 - 260°C	Corn on the Cob	4 pcs	10 minutes
230 - 260°C	Potatoes	1 lb.	25 minutes
150 - 180°C	Cakes	1 pan	20 minutes
230 - 260°C	Red Prawns	4 pcs	15 minutes
230 - 260°C	Crab	1 lb.	10 minutes

COOKING IN THE TURBO OVEN ..

GRILLING & BROILING:

To broil or grill in your Turbo Oven, the temperature should be set at 450-500°F. Food should be placed onto the double rack to bring it closer to the heat source. Add hickory liquid smoke or mesquite to the bottom of the glass container to get a smoky flavor. Any seasonings should be applied to the surface of the meat. If you are cooking fish or lean meat, spray cooking oil onto the rack or grill. Or brush with cooking oil prior to arrange the food on the rack. This will prevent the food from sticking to the grill. For browner or more seared surfaces, broil on both sides of the meat such as with thick steaks.

ROASTING:

Line the bottom of the glass container with aluminum foil to catch any fat or grease drippings. To let the hot cooking air to freely circulate, use the lower rack. The circulating air cooks meat evenly and seals in the juice. Turning and basting is not necessary. A meat thermometer is suggested. But in its absence, you can use the reference cooking chart, or follow a chart given for conventional or regular ovens, and subtract 50°F.

ROASTING WHOLE CHICKENS:

Rinse chicken thoroughly and clip away at any excess fats or unwanted parts. Add desired seasonings. Spices such as garlic, black pepper, and salt are suggested. Before roasting, allow seasonings or marinades to penetrate for a few hours. The bottom of the glass container should be lined with aluminum foil to catch any fat or grease drippings. Roast the chicken for approximately 10 minutes per 1lb. at 400°F. Increase the temperature to 475°F for additional 5-10 minutes for crispier skin.

WHOLE ROASTS:

With fatty portion of the roast facing upward, place the roast directly onto the center of the lower rack. Temperature for roasting is usually 50°F less than for regular conventional roasting. Cooking time depends on type and size of the roast.

FOR MEATS WEIGHING 2-3 lbs., SET TEMPERATURE AT 400°F AND COOK AT THE BELOW TIMES:

TYPE OF MEAT	MINUTES
Beef, boneless (Whole Roast)	Rare – 15-20 minutes
	Medium – 20-25 minutes
	Well Done – 25-30 minutes
Beef, Rib Roast (Rump or Chuck)	Rare – 15-20 minutes
	Medium – 20-25 minutes
	Well Done – 25-30 minutes
Ham with Bone (Full cooked)	Medium – 12-15 minutes
Pork Loin (Boneless)	Well – 20-25 minutes
Loin with bone	Well – 25-30 minutes
Pork Ribs	Well – 20-25 minutes

TIPS:

The temperature for cooking uncovered dishes is usually 25 to 50°F lower in the Turbo Oven. No preheating is necessary when using the Turbo Oven. Ordinarily, the center of cake batter will be moist, while the sections closest to the rim of the pan will be done first. For this reason, a bundt cake pan or tube pan is better to use for baking than the larger layered cake pans. Cupcake/muffin pans are ideal for small batches.

BAKING TIMES AND TEMPERATURE CHART:

FOOD	TEMPERATURE	TIME	
Brownies	150°C	18-20 minutes	
Buns	200°C	10-12 minutes	
Cakes (layer)	150°C	18-20 minutes	
Cakes (loaf)	150°C	30-35 minutes	
Cornbread	150°C	18-20 minutes	
Cookies	165°C	8 -10 minutes	
Muffins	180°C	12-15 minutes	
Pies/pastries : Pie crust	200°C	8-10 minutes	
	w/filling (no top crust)	165°C	25-30 minutes
	w/filling (w/ top crust)	180°C	35-40 minutes
Breads / Rolls	180°C	12-15 minutes	
Loaf of bread	165°C	25-30 minutes	

HOW TO CLEAN ..

- 1) Always unplug the power cord before cleaning.
- 2) Always allow the entire appliance to cool down completely before cleaning or storing.
- 3) To keep the Turbo Oven clean, just wipe clean with a warm damp cloth.
- 4) If there are any splatters, use a damp soapy cloth to scrub at the spot.
NEVER IMMERSE THE UNIT IN WATER!
- 5) Do not use abrasive cleaners or scouring pads to clean.
- 6) When the grease filter becomes too greasy, remove by turning the screws and lifting the filter out. Wash it thoroughly in hot soapy water, rinse well and dry thoroughly before returning it to the Turbo Oven.
- 7) Any accessories can be washed in hot soapy water or in the dishwasher.

CAUTION TIPS:

- THE TURBO OVEN'S MOTOR HOUSING BECOMES VERY HOT WHEN IT IS IN THE COOKING PROCESS. ALWAYS HOLD THE UNIT BY THE HANDLES.
- DO NOT PLACE THE TURBO OVEN IMMEDIATELY AFTER USE ON ANY SURFACES SUCH AS PLASTIC, VINYL OR VARNISHED WOOD. ALWAYS ALLOW THE UNIT TO COMPLETELY COOL BEFORE MOVING.
- DO NOT USE THE TURBO OVEN NEAR FLAMMABLE SUBSTANCES.
- WHEN UNPLUGGING THE UNIT, ALWAYS UNPLUG USING THE PLUG PIECE, NOT BY PULLING ON THE CORD.
- NEVER IMMERSE THE TURBO OVEN IN WATER.

RECIPES & TIPS ..

* Note that all recipes are for your reference only. Results may vary.

MEATS

~ BEEF STEW ~

26oz. stew beef, cut into 1" cubes • 2 or 3 potatoes, skinned and quartered • 2 or 3 carrots, quartered • 2 onions, quartered • 2 stalks celery, sliced • 1 bay leaf • 2 tbsp. salt • 1/4 tsp. pepper • 2 to 3 cups water or beef broth

Place all ingredients and 1 cup of water into a baking/heat resistant dish or casserole. Stir to blend thoroughly. Add remaining water and cover dish with lid of aluminum foil. Place dish onto lower rack and set into the Turbo Oven. Set temperature to 300°F and cook 2 to 3 hours.

~ ROAST PORK WITH GRAVY ~

3 lbs. fresh or frozen pork loin roast • 2 or 3 cloves garlic (sliced) • 1 or 2 tbsp. worcestershire or soy sauce • salt • pepper

Place roast on lower rack. Season well with salt and pepper. Cut small 1-inch slits into the fat side of the roast and insert the garlic cloves into the openings. Sprinkle roast with Worcestershire or soy sauce. Roast at 325°F for 1-1/2 to 2 hours or until meat thermometer reads 170°F. (Frozen roast will take 2-1/2 to 3 hours) Allow roast to stand for 10 minutes before serving.

GRAVY:

Add 3 or 4 tbsp of very hot water to the glass container and stir well into the meat juices that have collected. Combine 2 tbsp of cornstarch or flour with 2 or 3 tbsp of water to form a paste. Gradually stir in 1-1/2 cups of hot water to dissolve the paste. Pour the mixture into the glass container and stir well. Cook at 475°F for 10-15 minutes, stirring well every 5 minutes. Season to taste before serving with roast.

~ ORIENTAL SPARERIBS ~

3 lbs. pork spareribs, split • SAUCE: 3 tbsp. honey • 3 tbsp. soy sauce • 3/4 cup dark brown sugar • 1/2 cup ketchup • 3 tbsp. cider vinegar • 1/4 cup water • 1/4 tsp. dry mustard • 3 cloves garlic, minced • 2 chicken bouillon cubes • dash of tabasco

Combine all sauce ingredients in a saucepan and cook over medium heat for 5-10 minutes. Pour the sauce over ribs and allow to marinate for 1-2 hours. Place ribs onto lower rack and put into the Turbo Oven. Brush ribs with more sauce if desired. Roast at 350°F for 45 minutes.

CHICKEN

~ CLASSIC ROAST CHICKEN ~

2 to 3 lbs. whole chicken • salt & pepper • soy sauce • 1-2 cups of chopped carrots, onions and celery • butter melted

Wash chicken and remove any excess fat or skin. Dry off the moisture with a paper towel. Rub inside the cavity of the chicken well with salt and pepper. Stuff the cavity with the chopped vegetables. Sprinkle outer skin with soy sauce and salt. Tie legs together with string. Brush skin with butter. Place onto lower rack into the Turbo Oven and roast for 350°F for 35-40 minutes.

~ SPICY CUBAN ROTISSERIE CHICKEN ~

1 large whole chicken (3 lbs.) • 2 tsp. dried oregano • 1 tsp. salt & pepper • 1/4 cup fresh lime juice • 1 tsp. ground cumin • 3 tbsp. olive oil • 1 shallot, minced • 1/4 tsp. pepper lime slices • 2 large garlic cloves • minced cilantro sprigs • 1 tsp. grated lime peel

Truss chicken or tie drumsticks together. In large bowl, mix lime juice, olive oil, shallot, garlic, lime peel, oregano, salt, cumin and pepper together. Cover chicken with this mixture, make sure to coat evenly. Cover chicken and refrigerate overnight.

At cooking time, place chicken onto the lower rack into the Turbo Oven. Set temperature to 350°F and cook for 35-40 minutes.

~ JAMAICAN CHICKEN ~

1 whole chicken (3 lbs.) • 1/2 cup water • 5-6 thin slices fresh ginger • 2 dried chili peppers, crumbled • 1/2 onion chopped. • 1/4 cup white-wine vinegar • 1 tbsp. Pepper sauce • 1 tsp. dried thyme • 1/2 tsp. ground allspice • 1/2 tsp. ground Black pepper

In blender, combine water, ginger, chili peppers, onions, vinegar, pepper sauce, thyme, allspice and black pepper. Puree until fairly smooth.

Truss chicken or tie drumsticks together. Spread mixture onto chicken thoroughly. Reserve leftover mixture for later use. Cover and refrigerate overnight.

Place chicken onto lower rack into the Turbo Oven. Set temperature to 350°F and cook for 35-45 minutes.

Take reserved mixture and place in a saucepan. Bring to a boil and keep warm over low heat. Serve mixture as the sauce with the chicken.

SEAFOOD

~ GRILLED HALIBUT WITH CAILANTRO & LIME ~

2 halibut steaks • 1 tbsp. freshly chopped cilantro • 2 tbsp. lime juice • 1 clove garlic, chopped • 1 tsp. olive oil • pepper to taste

Mix all the ingredients except the halibut in a bowl. Using a fork, pierce the fish a few times on both sides, careful not to break the fish. Coat halibut steaks with lime juice marinade and store with the marinade in refrigerator for 6 hours. Do not exceed 24 hours.

Spray or brush lower rack with non-stick cooking oil. Place fish steaks onto the rack into the Turbo Oven. Reserve the remaining marinade for later use. Set temperature to 450°F and cook for 7-10 minutes or until fish flakes easily with a fork. Occasionally brush remaining marinade onto fish while grilling. Sprinkle with pepper and serve.

~ GRILLED SHRIMP ~

1-2 lbs. jumbo shrimp • 1/4 cup vegetable oil • 2 tbsp. fresh lemon juice • 1/4 cup freshly chopped parsley • 3 cloves garlic, minced • 1 tsp. dried basil • 1 tsp. dry mustard • 1 tsp. salt

Place shrimp in a glass bowl. Stir remaining ingredients together; pour over shrimp. Cover and refrigerate for 3 to 4 hours.

Spray or brush lower rack with non-stick cooking oil. Place shrimp onto the rack into the Turbo Oven. Set the temperature to 450°F. Grill shrimp for 5-10 minutes or until skin turns pink and opacity disappears. Occasionally brush shrimp with remaining marinade while grilling.

~ BUTTERED CITRUS LOBSTER TAILS ~

6 (6 oz) fresh lobster tails • 1/4 cup water • 2 tbsp. butter • 1-1/2 tsp. lemon juice • 1/4 tsp. finely shredded orange peel • dash of salt • dash of ground ginger • dash of paprika

Make sure the tops of each lobster tail has a slit through the center to allow the meat to break through. Spread the tail open in a butterfly fashion. Position tails onto lower rack inside the Turbo Oven.

Meanwhile, combine lemon juice, salt, ginger, butter, orange peel and paprika together in small saucepan over low heat until mixture is melted and mixed well. Drizzle mixture over lobster tails. Set temperature to 450°F and cook for 10-12 minutes or until lobster meat turns completely white and the shell is a solid red color.

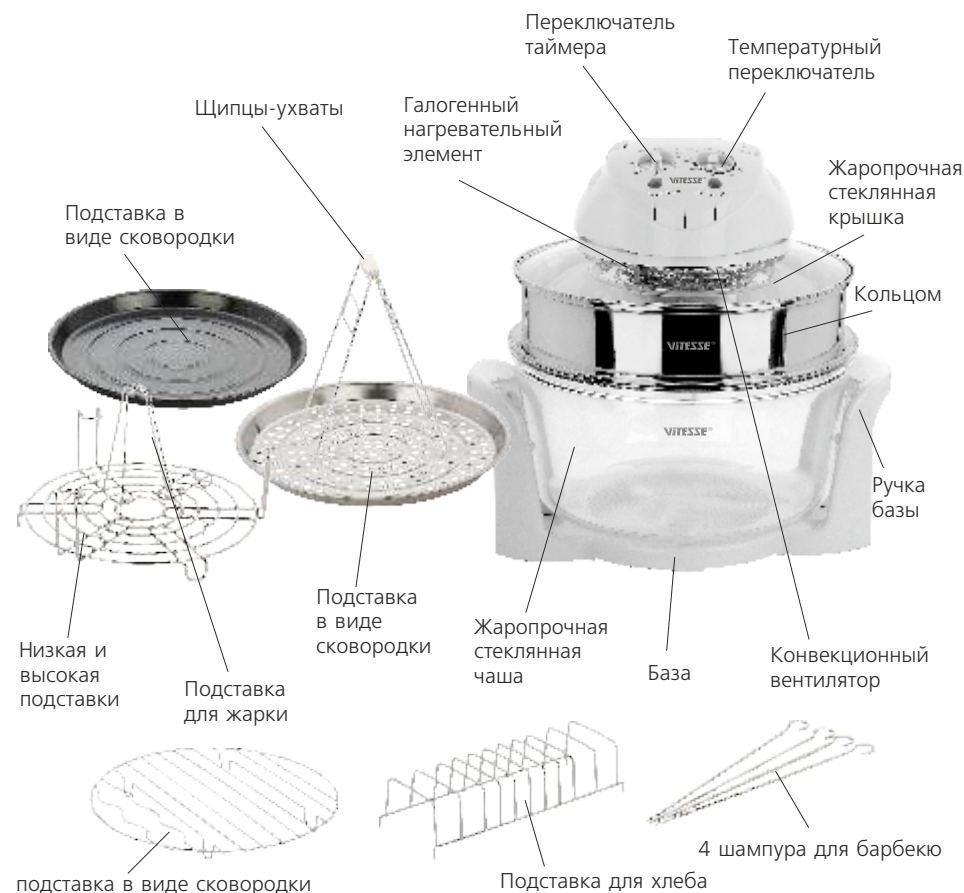
Ru

УВАЖАЕМЫЕ ПОКУПАТЕЛИ! ВЫ ПРИНЯЛИ БЛЕСТЯЩЕЕ РЕШЕНИЕ!

Фирма Vitesse® “Nouveau” предлагает Вам гамму эксклюзивных высококачественных приборов для несомненно роскошного и здорового образа жизни.

РУКОВОДСТВО ПО ЭКСПЛУАТАЦИИ И РЕЦЕПТЫ

Прежде чем начать пользоваться прибором внимательно прочитайте руководство по эксплуатации и сохраните руководство в качестве справочного материала



ТЕХНИКА БЕЗОПАСНОСТИ ..

При использовании любого электроприбора необходимо соблюдать правила техники безопасности. Будьте особенно внимательны к нижеуказанным пунктам:

1. Прежде чем начать пользоваться прибором, внимательно прочитайте все инструкции по эксплуатации.
2. Не касайтесь горячих поверхностей устройства. Используйте ручки и кнопки.
3. Аккуратно снимите все упаковочные материалы с прибора.
4. Подготовьте прибор к эксплуатации, вымыв съемные приспособления.
5. Перед первым использованием следует включить печь на максимальную температуру на 10 минут, чтобы сжечь производственные или упаковочные смазки.
6. Во избежание поражения электрическим током, не погружайте шнур питания, штепсельную вилку и корпус прибора в воду или другую жидкость.
7. Будьте особенно внимательны, если прибор используется в присутствии детей или детьми.
8. После применения, а также перед чисткой отключайте конвекционную печь от электросети. Подождите, пока прибор полностью остынет перед сборкой или разборкой съемных деталей.
9. Не используйте электроприбор с поврежденным шнуром питания, штепсельной вилкой или другими поломками. Обратись в сервисную мастерскую.
10. Для безопасной работы прибора применяйте только комплектующие и приспособления, рекомендованные производителем.
11. Не используйте конвекционную печь вне помещения.
12. Следите, чтобы кабель питания не свисал с края стола или рабочей поверхности и не касался горячих предметов.
13. Не помещайте прибор на или возле газовой или электрической плиты, а также возле нагретой печи.
14. Всегда сначала следует подключать шнур питания к прибору, и только затем к электрической розетке. Чтобы отключить конвекционную печь, установите переключатель в положение Выкл (OFF) и отсоедините штепсельную вилку от электрической розетки.
15. Не следует помещать в прибор слишком большие куски продуктов, а также металлическую посуду, так как это может вызвать пожар или риск поражения электрическим током.
16. Воспламенение может произойти, если накрыть включенный прибор, или он касается легковоспламеняемых материалов, таких как шторы, занавески, обои.
17. Во избежание поражения электрическим током, не рекомендуется очищать устройство с помощью жестких металлических губок, так как во время чистки металлические кусочки могут отломаться и попасть на электрические детали.
18. Особенно внимательным следует быть при использовании контейнера из металла или стекла.
19. Не следует хранить в приборе предметы кроме тех, что входят в комплект.
20. Не помещайте перечисленные материалы в конвекционную печь: бумагу, картон, пластмассу и т.п.
21. **Никогда не оставляйте включенный электроприбор без присмотра.**

СОХРАНИТЕ ДАННОЕ РУКОВОДСТВО В КАЧЕСТВЕ СПРАВОЧНОГО МАТЕРИАЛА.

ПРИБОР ПРЕДНАЗНАЧЕН ДЛЯ ДОМАШНЕГО ИСПОЛЬЗОВАНИЯ!

ОСОБЕННЫЕ ХАРАКТЕРИСТИКИ ..

- **Продукты не пригорают** — В турбо печи продукты не пригорают, так как готовятся при циркуляции горячего воздуха, что позволяет проваривать их равномерно.
- **Легко применяется** — Нет необходимости переворачивать продукты во время приготовления, так как циркулирующий горячий воздух способствует равномерной жарке, выпеканию и пропариванию.
- **Экономит энергию** — Прибор оснащен таймером и встроенным термостатом, что не допускает переваривания продуктов и сокращает использования электроэнергии.
- **Полностью прозрачна** — Турбо печь полностью сделана из чистого жаропрочного стекла, чтобы можно было легко наблюдать за процессом приготовления.
- **Удерживает запах** — Благодаря циркуляции горячего воздуха, влажность и запах удерживаются внутри печи.
- **Легко чистится** — Все комплектующие части прибора легко очищаются с помощью влажной ткани.

ЭКСПЛУАТАЦИЯ ..

- 1) Убедитесь, что прибор отключен от электросети. Вымойте стеклянную чашу.
ВНИМАНИЕ: Во время эксплуатации чаша сильно нагревается, поэтому всегда ставьте турбо печь на жаропрочную поверхность.
- 2) Поместите подставку в стеклянный контейнер. Затем положите продукты по центру подставки, чтобы получить наилучшую циркуляцию воздуха.
ВНИМАНИЕ: Всегда оставляйте место между дном стеклянной чаши и продуктами.
- 3) Установите стеклянную крышку на контейнер должным образом.
- 4) Подключите прибор к электросети.
- 5) Установите автоматический терморегулятор на желаемый температурный режим.
- 6) Используйте таблицу в качестве справочного материала при установлении таймера.
ВНИМАНИЕ: Когда установленная температура будет достигнута, световой индикатор температуры автоматически погаснет.
- 7) Прибор автоматически выключится, когда пройдет установленное время приготовления.
- 8) Приготовленные продукты следует оставить в закрытой чаше на 3-5 минут.
- 9) После того как поднимите стеклянную крышку, предохранительный выключатель автоматически сработает и питание будет полностью отключено.
- 10) Отсоедините прибор от источника питания.
- 11) Если приготовление продуктов в турбо печи занимает меньше 10 минут, для начала установите таймер на 20 минут и затем поверните назад, выбрав необходимое время.

ТАБЛИЦА ВРЕМЕНИ ПРИГОТОВЛЕНИЯ ПРОДУКТОВ:

ТЕМПЕРАТУРА	ПРОДУКТ	КОЛИЧЕСТВО	ВРЕМЯ
180 - 200°C	Целая курица	2 кг 250 г	35 минут
180 - 200°C	Нарезанная свинина	500 г	7-8 минут
180 - 200°C	Ножки птицы	8 шт.	15 минут
230 - 260°C	Рыба	10 шт.	7-8 минут
180 - 200°C	Моллюски	500 г	5-7 минут
230 - 260°C	Креветка	500 г	5 минут
230 - 260°C	Отварная кукуруза	4 шт.	10 минут
230 - 260°C	Картофель	500 г	25 минут
150 - 180°C	Пирожные	1 противень	20 минут
230 - 260°C	Красные креветки	4 шт.	15 минут
230 - 260°C	Крабы	500 г	10 минут

ПРИГОТОВЛЕНИЕ В ТУРБО ПЕЧИ ..
ЖАРКА НА ГРИЛЕ:

Жарка на гриле в турбо печи производится при температуре 230 - 260°C. Поместите продукты на высокую подставку, таким образом, чтобы они находились ближе к источнику тепла. Для получения запаха копчения, добавьте на дно стеклянного контейнера коптильную жидкость гикори или мескитового дерева. К мясу рекомендуется добавлять по вкусу приправы.

Если готовите рыбу или нежирное мясо, брызните на подставку или гриль масло для жарки, или перед приготовлением смажьте подставку маслом, чтобы избежать прилипания продуктов к грилю.

Если хотите подрумянить мясо, его следует поджарить с обеих сторон, так же как и большие куски мяса.

ЗАПЕКАНИЕ:

Застелите дно стеклянной чаши алюминиевой фольгой, чтобы топленый жир собирался внутри. Используйте низкую подставку для свободной циркуляции горячего воздуха. Благодаря циркуляции воздуха, мясо равномерно запекается в своем соку. Если есть необходимость, периодически переворачивайте и сбрызгивайте мясо.

Рекомендуется использовать предназначенный для мяса градусник. Если нет градусника, смотрите «Таблицу времени приготовления продуктов», или следуйте советам, данным в таблицах для обычных духовок, но при этом всегда вычитывайте 10°C.

ЗАПЕКАНИЕ ЦЕЛОЙ КУРИЦЫ:

Тщательно вымойте курицу, удалите избыточный жир и несъедобные части. Посолите, добавьте такие специи как чеснок и черный перец, а остальные приправы следует добавлять по вкусу. Чтобы мясо хорошо пропиталось, оставьте его на несколько часов перед приготовлением в специях и маринаде. Застелите дно стеклянной чаши алюминиевой фольгой, чтобы топленый жир собирался внутри. Запекать цыпленка следует около 10 минут, если вес составляет 500г при температуре 200°C. Для получения хрустящей корочки, рекомендуется увеличить температуру до 250°C на дополнительные 5-10 минут.

ЗАПЕКАНИЯ ЦЕЛЫХ КУСКОВ МЯСА:

Жирную часть мяса для запекания поместите по центру низкой подставки таким образом, чтобы жир был сверху. Температура запекания в данной печи, как правило, на 10°C ниже, чем обычная температура запекания.

ДЛЯ МЯСА ВЕСОМ В 1-1,5 КГ, УСТАНОВИТЕ ТЕМПЕРАТУРУ 200°C И ГОТОВЬТЕ НА ПРОТЯЖЕНИИ УКАЗАННОГО НИЖЕ ВРЕМЕНИ:

ТИП МЯСА	МИНУТЫ
Говядина, без косточек (запекается целой)	Слегка запеченная – 15-20 минут Средне запеченная – 20-25 минут Хорошо запеченная – 25-30 минут
Говядина, ростбиф (кострец или лопаточная часть)	Слегка запеченная – 15-20 минут Средне запеченная – 20-25 минут Хорошо запеченная – 25-30 минут
Окорок с косточкой (целый)	Средне запеченный – 12-15 минут
Филейная часть свинины (без косточек)	Хорошо запеченная – 20-25 минут
Филейная часть с косточкой	Хорошо запеченная – 25-30 минут
Свинные ребрышки	Хорошо запеченные – 20-25 минут

СОВЕТЫ:

Температура приготовления блюд в открытой посуде в турбо духовке на 10°C ниже, так как турбо духовка не требует предварительного нагревания. Обычно, взбитое жидкое тесто для пирожных выпекается быстрее по краям противня, а по центру остается сырым. Поэтому для выпекания теста лучше использовать форму для выпечки или чудо кастрюлю, а не большую слоенную форму для выпечки. Маленькие противни или плоские тарелки идеально подходят для маленьких порций.

ТАБЛИЦА ВРЕМЕНИ И ТЕМПЕРАТУРЫ ВЫПЕКАНИЯ:

ПРОДУКТ	TEMPERATURE	TIME
Шоколадный кекс (печенье)	150°C	18-20 минут
Сдобная булочка	200°C	10-12 минут
Слоеный пирог	150°C	18-20 минут
Булка	150°C	30-35 минут
Кукурузный хлеб	150°C	18-20 минут
Домашнее печенье	165°C	8 -10 минут
Кекс	180°C	12-15 минут
Пирог/выпечка: хрустящая корочка пирога	200°C	8-10 минут
с начинкой (без верхней корочки)	165°C	25-30 минут
с начинкой (с верхней корочкой)	180°C	35-40 минут
Хлеб/ Булочка	180°C	12-15 минут
Батон хлеба	165°C	25-30 минут

ЧИСТКА ..

- 1) Всегда перед чисткой отключайте прибор от электросети.
- 2) Перед тем как очищать, а также перед хранением, подождите, пока устройство полностью остынет.
- 3) Для поддержания чистоты турбо печи печь чистой следует всего лишь протереть влажной тканью.
- 4) Если есть какие-либо брызги, вытрите их с помощью влажной мыльной ткани.
НИКОГДА НЕ ПОГРУЖАЙТЕ ПРИБОР В ВОДУ!
- 5) Не используйте для очистки абразивные средства или очищающие губки.
- 6) В случае загрязнения масляного фильтра, выньте его, отвинтив винты. Тщательно вымойте в горячей мыльной воде, хорошо прополощите и просушите, перед тем, как установить.
- 7) Комплекующие части прибора можно мыть в горячей мыльной воде или посудомоечной машине.

МЕРЫ ПРЕДОСТОРОЖНОСТИ:

- КОРПУС МОТОРА ТУРБО ПЕЧИ СИЛЬНО НАГРЕВАЕТСЯ ВО ВРЕМЯ ЭКСПЛУАТАЦИИ. ВСЕГДА ДЕРЖИТЕ ПРИБОР ЗА РУЧКИ.
- НЕ ПОМЕЩАЙТЕ ПЕЧЬ СРАЗУ ПОСЛЕ ИСПОЛЬЗОВАНИЯ НА ПОВЕРХНОСТИ, СДЕЛАННЫЕ ИЗ ПЛАСТМАССЫ, ВИНИЛА, А ТАКЖЕ ЛАКИРОВАННОГО ДЕРЕВА. ПОДОЖДИТЕ, ПОКА ПРИБОР ПОЛНОСТЬЮ ОСТЫНЕТ.
- НЕ ИСПОЛЬЗУЙТЕ КОНВЕКЦИОННУЮ ПЕЧЬ ВОЗЛЕ ЛЕГКОВОСПЛАМЕНЯЕМЫХ ВЕЩЕСТВ.
- КОГДА ОТКЛЮЧАЕТЕ ПРИБОР ОТ ЭЛЕКТРОСЕТИ, ВОЗЬМИТЕСЬ ЗА ШТЕПСЕЛЬ, НЕ ТЯНИТЕ ЗА ШНУР ПИТАНИЯ.
- НИКОГДА НЕ ПОГРУЖАЙТЕ ЭЛЕКТРОПРИБОР В ВОДУ.

РЕЦЕПТЫ И СОВЕТЫ ..

- * Заметьте, что все рецепты даны, как справочный материал. Результат может немного отличаться.

МЯСО
~ ТУШЕНАЯ ГОВЯДИНА ~

700 г говядины нарезанной кубиками • 2-3 картофеля очищенных и разрезанных на 4 части • 2-3 морковки разрезанных на четыре части • 2 луковицы, разрезанные на четыре части • 2 стебли сельдерея нарезанных ломтиками • 1 лавровый лист • 2 ст. ложки соли • 1/4 ст. ложки перца • 2-3 чашки воды или говяжьего бульона

Поместите все ингредиенты в жаропрочную кастрюлю и залейте 1 чашкой воды. Тщательно перемешайте. Добавьте необходимое после перемешивания количество воды и закройте кастрюлю крышкой с алюминиевой фольгой. Поставьте посуду на низкую подставку и поместите в турбо печь. Тушите 2-3 часа при температуре 150°C.

~ ЖАРКОЕ ИЗ СВИНИНЫ С СОУСОМ ~

1,5 кг свежей или замороженной филейной части свинины • 2-3 зубчика чеснока (нарезанного) • 1-2 ст. ложки вурчестерского или соевого соуса • соль • перец

Поместите продукты на низкую подставку. Приправьте солью и перцем. Затем сделайте в мясе, где больше жира маленькие разрезы так, чтобы положить зубцы чеснока. Сбрызните жаркое вурчестерским или соевым соусом. Тушите от 1-1,5 - 2 часов при температуре 165°C, пока градусник мяса не укажет температуру 80°C. (Замороженное мясо готовится от 2-1,5 - 3 часов) Рекомендуется, чтобы тушеное мясо постояло 10 минут, перед тем как подавать на стол.

СОУС:

Добавьте 3-4 ст. ложки горячей воды в стеклянный контейнер и хорошо перемешайте с собравшимся соком мяса. Сделайте пасту из 2 ст. ложки кукурузного крахмала или муки и 2-3 ст. ложки воды. Перемешайте так, чтобы растворить пасту в воде. Перелейте смесь в стеклянный контейнер и снова хорошо перемешайте. Варите 10 - 15 минут при температуре 250°C, тщательно мешая каждые 5 минут. Добавьте к соусу по вкусу приправы перед тем, как подавать с жарким.

~ СВИННЫЕ РЕБРЫШКИ по-ВОСТОЧНОМУ~

1,5 кг свиных ребрышек разделенных на порционные куски • СОУС: 3 ст. ложки меда • 3 ст. ложки соевого соуса • 3/4 чашки желтого сахарного песка • 1/2 чашки кетчупа • 3 ст. ложки яблочного уксуса • 1/4 чашки воды • 1/4 ч. ложки сухой горчицы • 3 измельченных зубчика чеснока • 2 кубика куриного бульона • острый соус Табаско.

Поместите все перечисленные ингредиенты для приготовления соуса в кастрюлю и варите на среднем огне 5-10 минут. Вылейте соус на ребрышки и поставьте мариновать на 1-2 часа. Затем поместите кастрюлю с ребрышками на низкую подставку и поставьте в конвекционную печь. При желании можно дополнительно смазать ребрышки соусом. Готовить блюдо следует на протяжении 45 минут при температуре 180°C.

КУРЯТИНА

~ КЛАССИЧЕСКАЯ ЖАРЕНАЯ КУРИЦА ~

Целая курица весом 1-1,5 кг • соль и перец • соевый соус • 1-2 чашки измельченной морковки, лука и сельдерея • топленое масло

Вымойте курицу и удалите избыточный жир и шкуру. Подсушите при помощи бумажного полотенца. Хорошо просолите и проперчите внутри. Наполните курицу нарезанными овощами. Сбрызните внешнюю часть соевым соусом и посолите. Ножки курицы завяжите веревкой так, чтобы они были вместе. Смажьте кожу курицы маслом. Положите ее на нижнюю подставку и поместите в турбо печь. Жарить следует при температуре 180°C, 35-40 минут.

~ ПРЯНАЯ КУРИЦА НА ГРИЛЕ ПО КУБИНСКИ ~

Большая целая курица весом 1,5 кг • 2 ч. ложки душицы обыкновенной высушенной • 1 ч. ложка соли и перца • 1/4 чашки свежего сока из плодов лайма • 1 ч. ложка меленого тмина • 3 ст. ложки оливкового масла • 1 лук шалот измельченный • 2 больших зубчика чеснока • измельченная веточка кинзы • 1 ч. ложка натертой цедры лайма

Свяжите курицу или куриные ножки вместе. В большой посуде перемешайте сок плодов лайма, оливковое масло, лук шалот, душицу обыкновенную, соль, тмин, перец.

Смажьте равномерно курицу приготовленной смесью. Накройте курицу и поставьте в холодильник на ночь.

Готовить следует в духовке на низкой подставке 35-40 минут при температуре 180°C.

~ КУРИЦА ПО ЯМАЙСКИ ~

Целая курица весом 1,5 кг • 1/2 чашки воды • 5-6 тонких ломтиков свежего имбиря • 2 высушенных растертых перца Чили • 1/2 измельченной луковицы • 1/4 чашки белого винного уксуса • 1 ст. ложка перечного соуса • 1 ст. ложка сушеного тмина • 1/2 ст. ложка меленого перца гвоздичного • 1/2 ст. ложка меленого черного перца

Наполните блендер водой. Добавьте имбирь, перец Чили, лук, уксус, перечный соус, тмин, перец гвоздичный. Перемешайте до образования однородной массы.

Подготовьте птицу к жаренью, связав вместе ножки и крылышки или только ножки.

Тщательно, равномерно смажьте курицу смесью.

Остаток смеси, сохраняйте для использования позже. Накройте посуду крышкой и поставьте в холодильник на ночь.

Готовить следует в духовке на низкой подставке 35-45 минут при температуре 180°C.

Затем остаток смеси поместите в кастрюлю, доведите до кипения и варите на маленьком огне. Подавайте смесь как соус к курице.

МОРЕПРОДУКТЫ

~ Рыба ПАЛТУС НА ГРИЛЕ С ЛАЙМОМ (РАЗНОВИДНОСТЬ-Лимона) ~

2 куса филе рыбы палтус • 1 ст. ложка свежей измельченной кинзы • 2 ст. ложки сока плодов лайма • 1 измельченный зубчик чеснока • 1 ст. ложка оливкового масла • перец по вкусу

Смешайте все ингредиенты, кроме мяса палтуса, в чаше. С помощью вилки осторожно проколите рыбу с двух сторон несколько раз, но так, чтобы она не распалась. Смажьте рыбу маринадом сока лайма и поставьте, пропитаться в холодильник на 6 часов. Не рекомендуется оставлять рыбу в холодильнике более 24 часов.

Сбрызните или нанесите антипригарное масло для жарки на низкую подставку. Положите куски рыбы на подставку и поместите в печь. Остаток маринада сохраните для дальнейшего использования. Установите температуру 230°C и жарьте 7-10 минут, пока рыба не будет легко отслаиваться с помощью вилки. Периодически смазывайте рыбу оставшимся маринадом в процессе жарки. Перед тем как подавать к столу, поперчите рыбу.

~ ЖАРЕННАЯ НА ГРИЛЕ КРЕВЕТКИ ~

Королевские креветки весом 0,5-1 кг • 1/4 чашки растительного масла • 2 ст. ложка свежего лимонного сока • 1/4 чашки измельченной петрушки • 3 зубчика меленого чеснока • 1 ч. ложка сушеного базилика • 1 ч. ложка сухой горчица • 1 ч. ложка соли

Поместите креветку в стеклянную чашу. Остальные ингредиенты перемешайте вместе и вылейте в чашу с креветками.

Накройте стеклянную чашу крышкой и замораживайте 3 - 4 часа.

Сбрызните или нанесите антипригарное масло для жарки на низкую подставку. Положите креветки на подставку и поместите в печь. Установите температуру 230°C. Жарить следует 5-10 минут или пока не порозовеет кожа креветки, а прозрачность исчезнет. Периодически смазывайте креветку оставшимся маринадом в процессе жарки.

~ ХВОСТЫ ЛОБСТЕРА СМАЗАННЫЕ ЦИТРУСОМ~

Свежие хвосты лобстеров весом 200 г • 1/4 чашки воды • 2 ч. ложка масла • 1-1/2 ч. ложка лимонного сока • 1/4 ч. л. мелко нарезанной цедры апельсина • щепотка соли • щепотка меленого имбиря • щепотка паприки

Убедитесь, что хвосты лобстеров проколоты сверху и по центру, чтобы мясо легко пропитывалось. Положите хвосты в форме мотылька на нижнюю подставку и поставьте в печи.

Тем временем, в маленькую кастрюлю добавьте сок лимона, соль, имбирь, масло, цедру апельсина и паприку и варите на маленьком огне, пока все ингредиенты распоятся и хорошо перемешаются (до образования однородной массы).

Нанесите смесь на хвосты лобстеров. Установите температуру 230°C и жарьте 10-12 минут или пока мясо лобстеров не станет полностью белым, а панцирь не приобретет красный цвет.