

项目名称

R2563R-D20- 俄版 (白) 说明书 (2 国语图

Dreame		
发 放	2025/5/21	日 期
受控文件		

版本号

A00

MP

设计时间

2025/4/10

物料名称

说明书

设计师

李雪

文案

张阳

审核

史嘉庆 2025/05/21

批准

白士洋 2025/05/21

料号

04170500005358

材质工艺要求:

材质要求: 80g 哑粉纸, 骑马钉
(封底二维码下方日期供应商以实际生产日期为准)

颜色及专色: 单色印刷

尺寸要求: 210mm*140mm

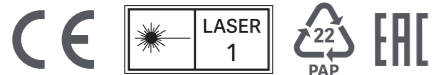
变更履历:

The word "dreame" is the abbreviation of Dreame Technology Co., Ltd. and its subsidiaries in China. It is the transliteration of the company's Chinese name "追觅", which means striving for excellence in every endeavor and reflects the company's vision of continuous pursuit, exploration and search in technology.

Dreame D20

Robot Vacuum and Mop User Manual

DREAME



For more support, contact us via <https://global.dreametech.com>
Manufactured by: Dreame Trading (Tianjin) Co., Ltd.
Made in China



RU-A00
04/2025

The illustrations in this manual are for reference only. Please refer to the actual product.

Contents

EN	User Manual	01
RU	Руководство пользователя	24

Safety Information

To avoid electric shock, fire or injury caused by improper use of the appliance, please read the user manual carefully before using the appliance and keep it for future reference.

Usage Restrictions

- This product should not be used by children younger than 8 years old nor persons with physical, sensory, intellectual deficiencies, or limited experience or knowledge without the supervision of a parent or guardian to ensure safe operation and to avoid any risks. Cleaning and maintenance shall not be performed by children without supervision.
- Children shall not play with this product. Ensure children and pets are kept at a safe distance from the robot while it is operating.
- This product is for floor cleaning in a home environment only. Do not use it outdoors, on non-floor surfaces, or in a commercial or industrial setting.
- If the power cord becomes damaged or broken, stop using it immediately and contact after-sales service.
- Do not use the robot in an area suspended above ground level without a protective barrier.
- Do not place the robot upside down. Do not use the LDS cover, robot cover, or bumper as a handle for the robot.
- Use the robot in environments with an ambient temperature above 0°C and below 40°C. Make sure there is no liquid or sticky substance on the floor.
- Pick up any cables from the floor before using the robot to prevent it from dragging them while cleaning.
- Remove fragile or small items from the floor to prevent the robot from bumping into and damaging them.
- To prevent damage or harm from dragging, clear any loose objects from the floor, and remove cables or power cords on the cleaning path before operating the appliance.

Safety Information

Usage Restrictions

- Keep hair, fingers, and other body parts away from the suction opening of the robot.
- Keep the brush cleaning tool out of reach of children.
- Do not place children, pets, or any item on top of the robot regardless of whether it is stationary or moving.
- Do not use the robot to clean any burning objects. Do not use the robot to pick up flammable or combustible liquids, corrosive gases, or undiluted acids or solvents.
- Do not vacuum hard or sharp objects. Do not use the appliance to pick up objects such as stones, large pieces of paper or any item that may clog the appliance.
- Make sure the robot is turned off and the charging dock is unplugged before cleaning or performing maintenance.
- Do not use a wet cloth to wipe or any liquid to rinse the robot and charging dock. Washable parts must be dried completely before installing and using them.
- Make sure the robot is turned off when being transported and kept in its original packaging if possible.
- Please use this product in accordance with the instructions in the User Manual. Users are responsible for any loss or damage that arise from improper use of this product.

Batteries and Charging

- Do not use any third-party battery, power cord, or charging dock. Use only with RCS0 supply unit.
- Do not attempt to disassemble, repair, or modify the battery or charging dock on your own.

Safety Information

Batteries and Charging

- Do not place the charging dock near a heat source.
- Do not use a wet cloth or wet hands to wipe or clean the dock's charging contacts.
- Do not improperly dispose of old batteries. Unneeded batteries should be discarded at an appropriate recycling facility.
- If the robot will not be used for an extended period, fully charge it, then turn it off and store in a cool, dry place. Recharge the robot at least once every 3 months to avoid over-discharging the battery.
- This product contains batteries that can only be replaced by qualified technicians or after-sales service.
- The laser sensor in this product meets the IEC 60825-1:2014/EN 60825-1:2014/A11:2021 Standard for Class 1 laser products. Please avoid direct eye contact with it during use.

CLASS 1 LASER PRODUCT
CONSUMER LASER PRODUCT
EN 50689:2021



For indoor use only

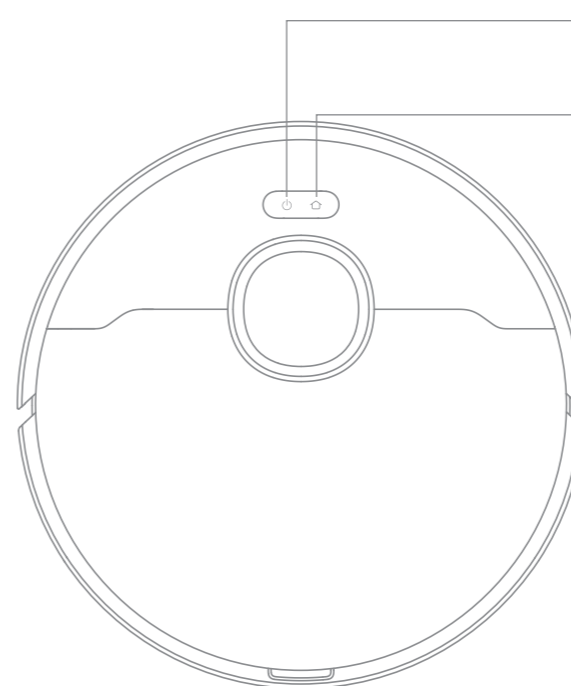


Read operator's manual

Hereby, Dreame Trading (Tianjin) Co., Ltd. declares that the radio equipment type RLD35GA is in compliance with Directive 2014/53/EU. The full text of the EU declaration of conformity is available at the following internet address: <https://global.dreame.tech.com>
For detailed e-manual, please go to <https://global.dreame.tech.com/pages/user-manuals-and-faqs>

Product Overview

Robot



- ⏻ **Power/Clean Button**
 - Press and hold for 3 seconds to turn on or off
 - Press to start cleaning after the robot is turned on
- 🏠 **Dock/Spot Cleaning Button**
 - Press to send the robot back to the charging dock
 - Press and hold for 3 seconds to start spot cleaning

Button Status Indicator

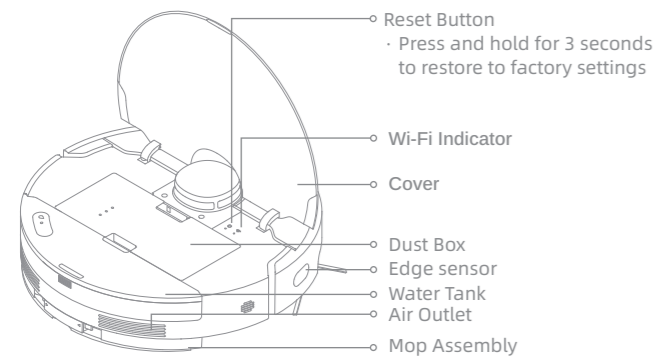
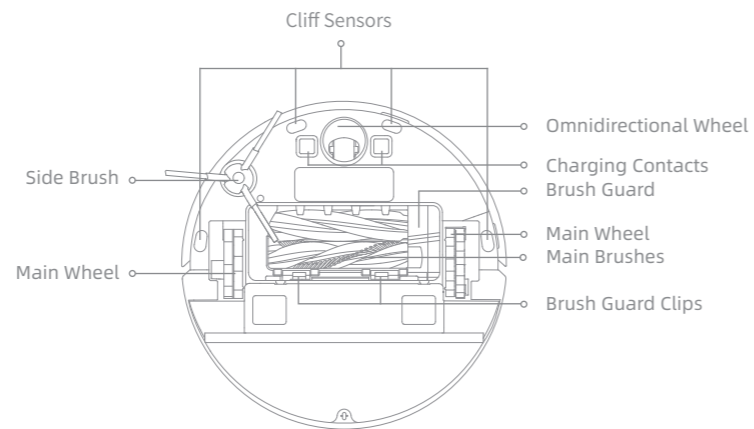
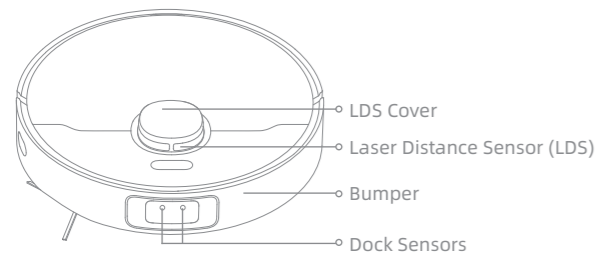
- **Solid White:** Cleaning or cleanup completed
- **Blinking Orange:** Error
- **Breathing White:** Robot is charging when the battery power is not low

Note:

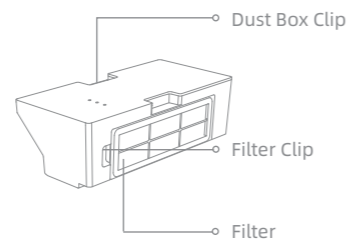
- Press any button on the robot to pause while the robot is cleaning or returning to charge.
- Child Lock can be enabled/disabled through the Dreamehome app.

Product Overview

Robot and Sensors



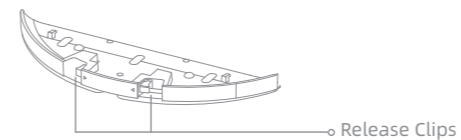
Dust Box



Product Overview

Mop Assembly

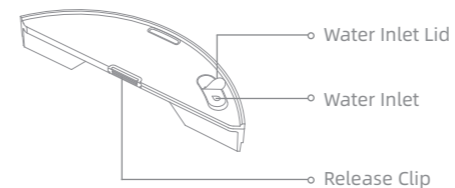
Mop Pad Holder



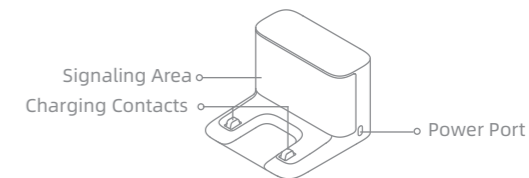
Mop Pad



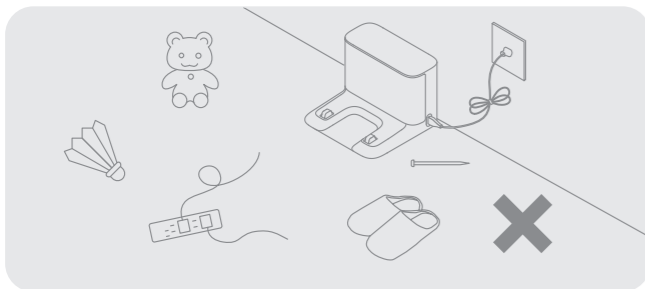
Water Tank



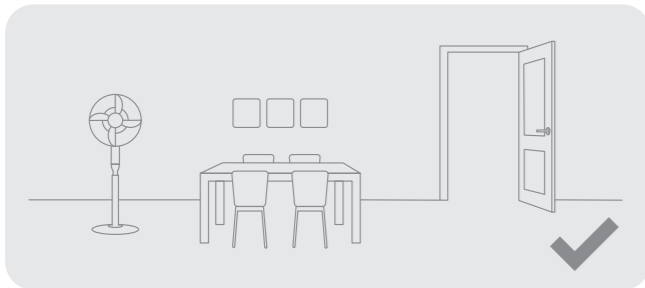
Charging Dock



Preparing Your Home



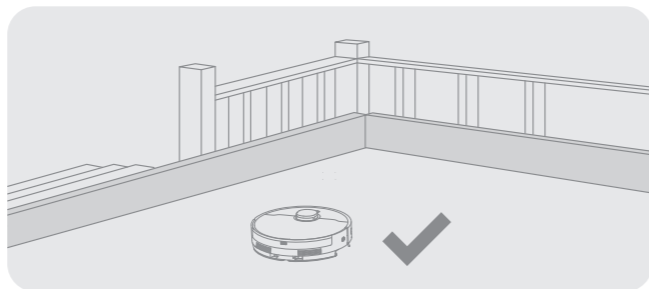
Before cleaning, please move away unstable, fragile, valuable or dangerous items, and clean up cables, cloths, toys, hard objects and sharp objects on the ground to avoid being entangled, scratched or knocked over by the robot and causing losses.



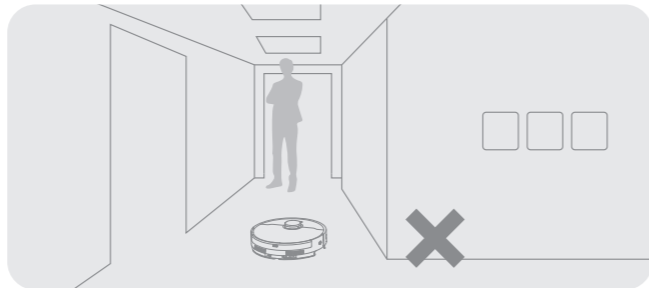
Open the door of the room to be cleaned, and put the furniture in its proper place to leave more space.

Note:

- When operating the robot for the first time, follow it around while cleaning to remove any potential obstacles in time.
- Do not vacuum hard objects like stones, steel balls and toy parts, or sharp objects like construction waste, broken glass and nails, otherwise the ground may be scratched.



Before cleaning, place a physical barrier at the edge of the stairs to ensure the secure and smooth operations of the robot.

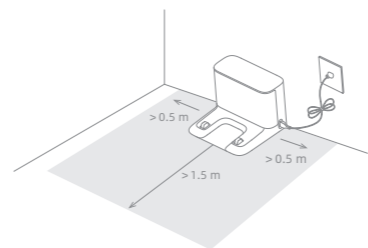


To prevent the robot from not recognizing areas that need to be cleaned, do not stand in front of the robot, or in a threshold, hallway, or narrow places.

Before Use

1. Place the Charging dock and Connect to an Electrical Outlet

Place the charging dock in a location that is as open as possible with a good Wi-Fi signal. Leave enough space as shown in the figure and remove any objects in the shaded area. Insert the power cord into the charging dock and plug it into the socket.



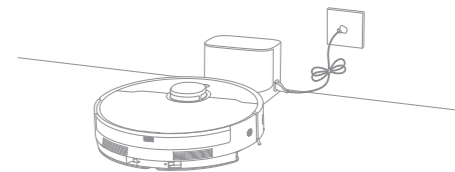
Note:

- Do not place the charging dock in an area with direct sunlight or where other objects might block the signal, as this may hinder the robot from returning to the charging dock.
- To prevent water stains from wetting wood floors or carpets, placing the charging dock on tile floors or marble floors is recommended.

2. Charge the Robot

When placing the robot, align the charging contacts at the bottom of the robot with the charging contacts of the charging dock, and the robot will automatically turn on and start charging.

After the robot is fully charged, the status indicators on the robot and the charging dock will remain lit for 10 minutes and then dim.



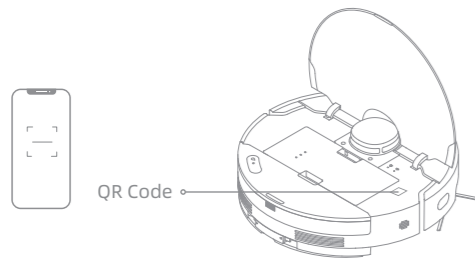
Note: It is recommended to fully charge the robot before its first use.

When the robot cannot be turned on after the battery is depleted, manually connect the robot with the charging dock to charge it.

Connecting with Dreamehome App

1. Download Dreamehome App

Scan the QR code on the robot or search "Dreamehome" in the app store to download and install the app.



Note:

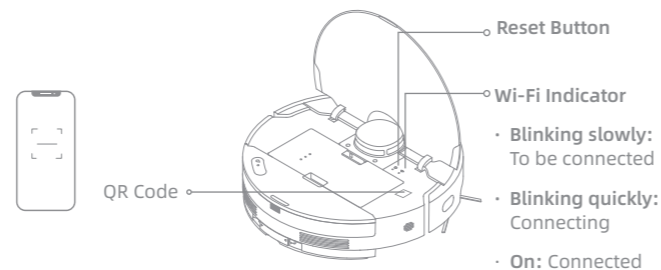
- Only 2.4 GHz Wi-Fi is supported.
- Due to upgrades in the app software, the actual operations may differ from the directions in this manual. Please follow the instructions based on the current app version.

2. Add Device

Open the Dreamehome App, tap "Scan QR code to connect", and scan the same QR code on the robot again to add the device. Please follow the prompts to finish the Wi-Fi connection.

Note:

- To reset Wi-Fi, repeat step 2 and then follow the prompts to finish the Wi-Fi connection.
- To disconnect the device from Wi-Fi network, press and hold the Reset button on the robot for 3 seconds..



How to Use

Turn On/Off

Press and hold the power button for 3 seconds to turn on the robot. The power indicator should be illuminated. Place the robot onto the charging dock, the robot should turn on automatically and begin charging. To turn off the robot, move the robot away from the charging dock and press and hold the power button for 3 seconds.

Fast Mapping

After configuring the network for the first time, follow the instructions in the app to quickly create a map. The robot will start mapping without cleaning. When the robot returns to the charging dock, the mapping process has been completed and the map will be saved automatically.

Start Cleaning

Press the power button to start cleaning after the robot is turned on. The robot will accurately map out a route, methodically clean along the edges and walls, then finish by cleaning each room in an S-shaped pattern to ensure a thorough job.

Note: It is recommended that the robot set out from the charging dock before cleaning. Do not move the charging dock while the robot is cleaning. This ensures that the robot returns to charging dock smoothly.

Pause/Sleep

When the robot is running, press any button to pause it. If the robot is paused for more than 10 minutes, it automatically enters sleep mode. All indicators on the robot will turn off. Press any button on the robot, or use the app to wake up the robot.

Note: If the robot is paused and placed onto the charging dock, the current cleaning process will end.

Auto Resume Cleaning

If the battery is too low, the robot will automatically return to the charging dock to charge. After charging to the appropriate battery level, it will resume unfinished cleaning tasks.

Note: To use this function, please open it in the app.

Do Not Disturb (DND) Mode


When the robot is set to Do Not Disturb (DND) mode, the robot will be prevented from resuming cleaning. DND mode is disabled by default at the factory. You can use the app to enable DND mode or modify the DND period. The DND period is 22:00-8:00 by default.

Note:

- The scheduled cleaning tasks will be performed as usual during the DND period.
- The robot will resume cleanup where it left off after the DND period expires.

How to Use

Spot Cleaning

When the robot is awaiting, press and hold the button  for 3 seconds to enable the spot cleaning mode. In this mode, the robot cleans a square-shaped area of 1.5 × 1.5 meters around it and returns to its starting point once the spot cleaning is completed.

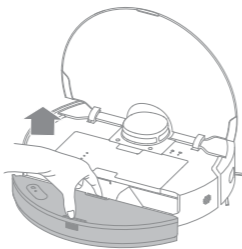
Robot Restarting

If the robot stops responding or cannot be turned off, press and hold the power button for 10 seconds to forcefully turn it off. Then, press and hold the power button for 3 seconds to turn the robot on.

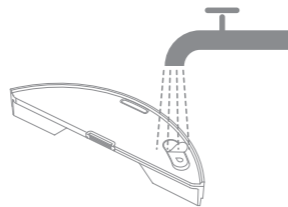
Use Mopping Function

Note: It is recommended that floors are vacuumed at least three times before the first mopping session to achieve a better cleaning effect.

1. Press the release clip to remove the water tank.



2. Open the water inlet lid, fill the tank with water, and close the lid tightly.

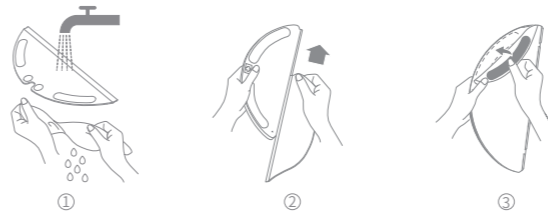


Note:

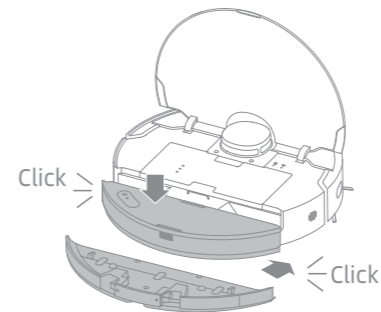
- Do not use detergent or disinfectant.
- Do not fill the water tank with hot water as this may cause the water tank to warp.

How to Use

3. Dampen the mop pad and wring out excess water. Install the mop pad as shown in the figure.



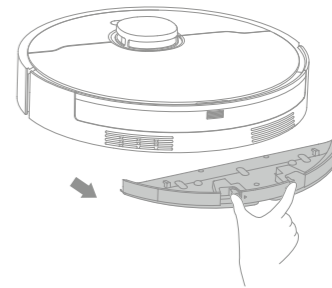
4. Reinstall the water tank and mop pad holder back as shown in the figure until they click into place. Press the power button or use the app to start cleaning.



Note:

- It is not recommended to use the mopping function on carpets.
- Use the app to adjust the mop pad moisture as required.

5. When the robot returns to charge after cleaning, press the release clips to remove the mop pad holder, and clean the mop pad to prevent mildew or odors.



Note:

- Wash the mop pad after each use, and regularly empty the water tank of unused water.
- Remove the mop assembly when not mopping.

Routine Maintenance

Parts

To keep the robot in good condition, it is recommended to refer to the accessory usage in the app or the following table for routine maintenance.

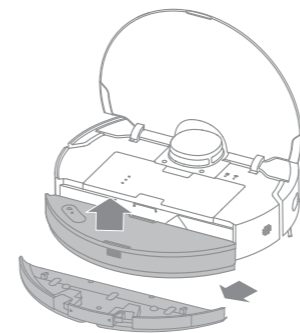
Part	Maintenance Frequency	Replacement Period	Part	Maintenance Frequency	Replacement Period
Mop pad	After each use	Every 3 to 6 months	Bumper	Once every month	/
Main brushes	Once every 2 weeks	Every 6 to 12 months	Edge sensor		
Side brush		Every 3 to 6 months	Omnidirectional wheel		
Dust box's filter			Cliff sensors		
Signaling area	Once every month	/	Bottom of the robot		
Charging contacts			Dust box	Clean it as needed	
Laser distance sensor (LDS)			Main wheels		
Dock sensors			Water tank		

Note: The replacement frequency will depend on your usage of the robot. If an exception occurs due to special circumstances, the parts should be replaced.

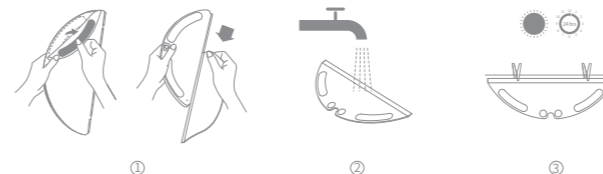
Routine Maintenance

Mopping Module

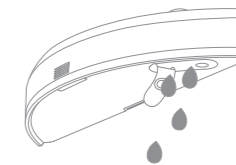
1. Remove the water tank and the mop pad holder.



2. Remove and clean the mop pad with water only, then dry it completely before reinstalling.



3. Pour out the water in the tank. Clean the tank with water only and leave it to air dry before reinstalling.



Note: Do not directly expose the water tank to sunlight.

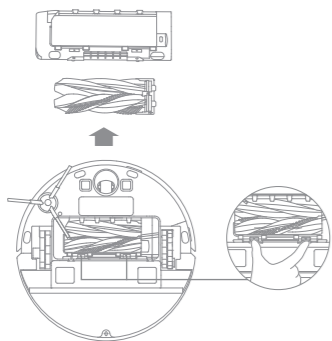
4. If the water flow is slow or unevenly distributed, clean the air hole on the water inlet lid.



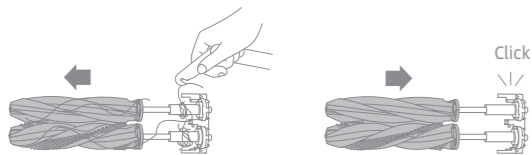
Routine Maintenance

Main Brushes

1. Press the brush guard clips inwards to remove the brush guard, and then lift the brushes out of the robot.

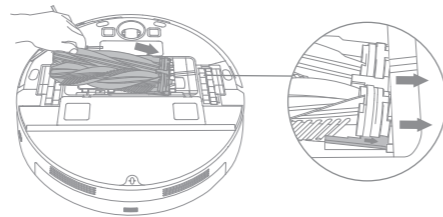


2. Pull out the brushes as shown in the figure. Use the appropriate cleaning tool to remove any hair tangled in the brushes. After cleaning, push the brushes firmly into the main brush holder until they click into place.

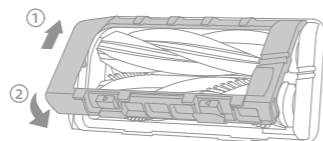


Note: Be careful while pulling out the main brushes to prevent injury.

3. With the screen-printed arrows facing upwards, insert the main brush holder into the slots downwards in an inclined way.



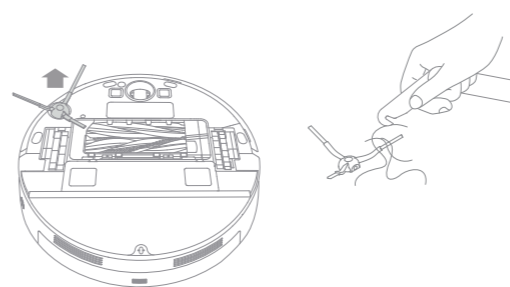
4. Align the front end of the brush guard with the slot, insert it downwards in an inclined way, and then press it into place.



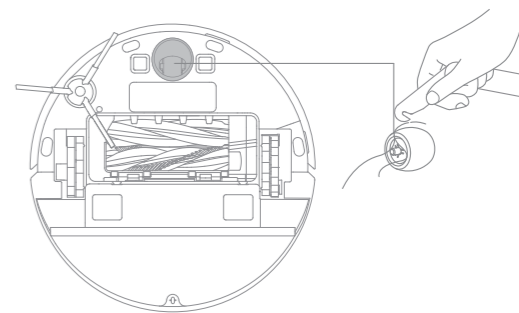
Routine Maintenance

Side Brush

Remove and clean the side brush.



Omnidirectional Wheel



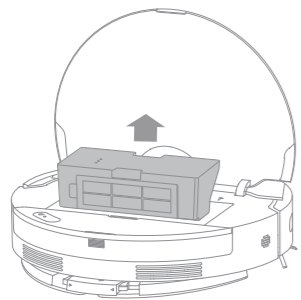
Note:

- Use a tool such as a small screwdriver to separate the axle and tire of the omnidirectional wheel. Do not use excessive force.
- Rinse the omnidirectional wheel under the running water and put it back after drying it completely.

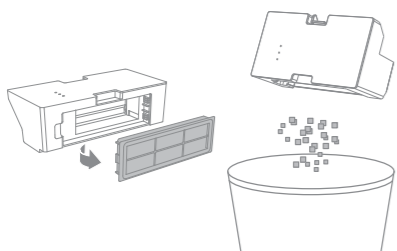
Routine Maintenance

Dust Box and Filter

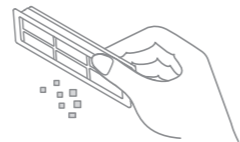
1. Open the robot's cover and press the clip to remove the dust box.



2. Remove the dust box filter, and then empty the dust box.

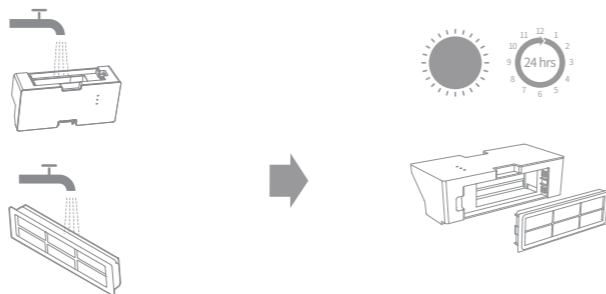


3. Gently tap the basket of the filter to remove the dirt.



Note: Do not attempt to clean the filter with a brush, a finger or sharp objects to prevent damage.

4. Rinse the dust box and filter with water and dry them completely before reinstalling.



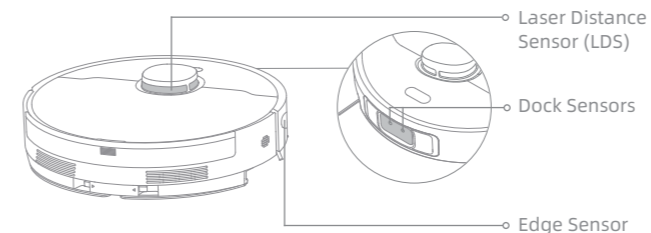
Note:

- Rinse the dust box and filter with clean water only. Do not use any detergent.
- Use the dust box and filter only when they are completely dry.

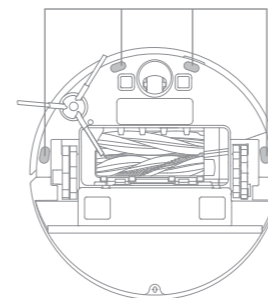
Routine Maintenance

Robot Sensors

Wipe robot sensors by using a soft and dry cloth, as shown in the below figure:



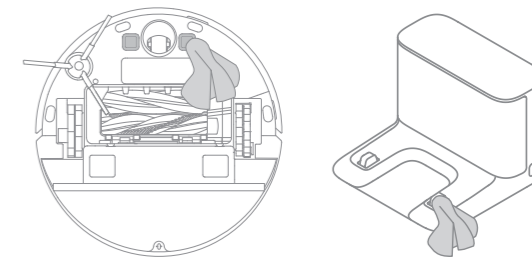
Cliff Sensors



Note: A wet cloth can damage sensitive elements within the robot and the charging dock. Please use a dry cloth for cleaning.

Charging Contacts and Signaling Area


Clean the charging contacts and the signaling area with a soft and dry cloth.



Battery

The robot contains a high-performance lithium-ion battery pack. Make sure that the battery remains well-charged for daily use to maintain optimal battery performance. If the robot is not used for an extended period of time, turn it off and put it away. To prevent damages from over-discharging, charge the robot at least once every three months.

Problem	Solution
The robot will not turn on.	<ul style="list-style-type: none"> The battery is low. Recharge the robot on the charging dock and try again. The temperature of the battery is too low or too high. It is recommended to use the robot in environments with an ambient temperature above 0 °C and below 40°C.
The robot will not charge.	<ul style="list-style-type: none"> The charging dock is not connected to power, please make sure both ends of its power cord are correctly plugged in. The contact between the charging contacts on the charging dock and the robot is poor, please clean the charging contacts.
The robot fails to connect to Wi-Fi.	<ul style="list-style-type: none"> The Wi-Fi network password is incorrect. Make sure the password used to connect to your Wi-Fi network is correct. The robot does not support a 5 GHz Wi-Fi connection. Make sure the robot is connected to a 2.4 GHz Wi-Fi connection. The Wi-Fi signal is weak. Make sure the robot is in an area with good Wi-Fi coverage. The robot may not be ready to be configured. Please exit and re-enter the app, and then try again as instructed.
The robot cannot return to the charging dock.	<ul style="list-style-type: none"> The route for returning to charge is blocked, e.g. the door is closed. The charging dock is disconnected from power or moved when the robot is not on it. Please connect the charging dock to the power supply or place the robot onto the charging dock to charge. There are too many obstructions around the charging dock. Place the charging dock in a more open area. Moving the robot may cause it to re-position itself, and it will recreate a map if re-positioning fails. If the robot is too far from the charging dock, it might not be able to automatically return on its own, in which case you will need to manually place the robot onto the charging dock. Wipe the signaling area on the charging dock to remove dust or debris.
The robot gets stuck in front of the charging dock and cannot return to it.	<ul style="list-style-type: none"> Check whether there is enough space on both sides or in front of the charging dock to prevent the robot from being blocked. The robot may slip if the floor in front of the charging dock is overly wet. If so, clean the excess water before trying again. It is recommended to move the charging dock to a different place and try again.
The robot will not turn off.	<ul style="list-style-type: none"> The robot cannot be turned off when it is charging. It is recommended to move the robot from the charging dock, and then press and hold the power button for 3 seconds to turn it off. If the robot cannot be turned off by performing step 1, press and hold the power button for 10 seconds to forcibly turn off the robot. If the problem persists, please contact after-sales service.

Problem	Solution
The charging speed is slow.	<ul style="list-style-type: none"> It takes about 6 hours to fully charge the robot when its battery is low. If you operate the robot at temperatures outside of the specified range, the charging speed will automatically slow down to extend the battery life. The charging contacts on both the robot and the charging dock may be dirty, please wipe them with a dry cloth.
The noise increases while the robot is operating.	<ul style="list-style-type: none"> Check whether the dust box's filter is clogged. If so, clean it or replace it. A hard object may be caught in the main brushes or the dust box. Check and remove any hard objects. The main brushes or the side brush may become tangled. Check and remove any foreign objects. Switch the suction mode to Standard or Quiet.
The robot moves without following the set route.	<ul style="list-style-type: none"> Objects such as power cords and slippers should be organized before using the robot. Working on wet slippery surfaces may cause the main wheel to slip. It is recommended to dry any wet areas before using the robot.
The robot misses the rooms to be cleaned.	<ul style="list-style-type: none"> Make sure that the doors of the rooms to be cleaned are open. Check whether there is a threshold higher than 2 cm at the door of the room. The robot cannot climb over high thresholds or steps. The place in front of the room to be cleaned may be wet and slippery, causing the robot to slip and work abnormally. Please try drying the floor before using the robot.
The robot will not resume cleaning after charging.	<ul style="list-style-type: none"> Make sure that the robot is not set to the Do Not Disturb (DND) mode, which will prevent it from resuming cleaning. The robot will not resume cleaning after you manually place the robot on the charging dock or send the robot to charge via the app or the button .
No water comes out of the water tank, or only a little bit comes out.	<ul style="list-style-type: none"> Check whether there is water inside the water tank. Clean the air hole on the water inlet lid. Clean the mop pad if it becomes dirty. Make sure the mop pad and the mop pad holder is installed correctly according to the user manual.

Problem	Solution
The robot is malfunctioning.	<ul style="list-style-type: none"> · Turn off the robot and then reactivate it.
The robot no longer cleans efficiently or leaves dust behind.	<ul style="list-style-type: none"> · The dust box is full. Please clean it. · The filter is blocked. Please clean it. · A foreign object is caught in the main brushes. Please clean them.
The robot does not perform scheduled cleaning.	<ul style="list-style-type: none"> · The robot has low battery. Scheduled cleaning will not start unless the robot has at least 15% battery left.

For more support, contact us via <https://global.dreametech.com>.

Robot

Model	RLD35GA
Charging Time	Approx. 6 hours
Rated Voltage	14.4 V $\overline{=}$
Rated Power	75 W
Operation Frequency	2400-2483.5 MHz
Maximum Output Power	< 20 dBm

Under normal use of condition, this equipment should be kept a separation distance of at least 20 cm between the antenna and the body of the user.

Charging dock

Model	RCS0
Rated Input	100-240 V \sim 50/60 Hz 0.5 A
Rated Output	19.8 V $\overline{=}$ 1 A

Battery Disposal and Removal

The built-in lithium-ion battery contains substances that are hazardous to the environment. Before disposing of the battery, make sure the battery is removed by qualified technicians and discarded at an appropriate recycling facility.

- the battery must be removed from the appliance before it is scrapped;
- the appliance must be disconnected from the supply mains when removing the battery;
- the battery is to be disposed of safely.

CAUTION:

Before removing the battery, disconnect the power and run out the battery as much as possible.

Unneeded batteries should be discarded at an appropriate recycling facility.

Do not expose to high temperature environment to avoid risks of explosion.

Under abusive conditions, liquid may be ejected from the battery. If contact occurs, flush with water and seek medical help.

Removal Guide:

WEEE Information



All products bearing this symbol are waste electrical and electronic equipment (WEEE as in directive 2012/19/EU) which should not be mixed with unsorted household waste. Instead, you should protect human health and the environment by handing over your waste equipment to a designated collection point for the recycling of waste electrical and electronic equipment, appointed by the government or local authorities. Correct disposal and recycling will help prevent potential negative consequences to the environment and human health. Please contact the installer or local authorities for more information about the location as well as terms and conditions of such collection points.

Информация по технике безопасности

Чтобы избежать поражения током, возгорания или травм, вызванных некорректным использованием прибора, перед началом работы внимательно прочтите инструкцию по эксплуатации. Сохраните ее для дальнейшего использования в качестве справки.

Ограничения по эксплуатации

- Не допускается использование этого изделия детьми младше 8 лет, а также лицами с ограниченными физическими, сенсорными или умственными способностями или с ограниченным опытом или знаниями без присмотра родителя или опекуна для обеспечения безопасной эксплуатации и во избежание рисков. Не позволяйте детям осуществлять чистку и техническое обслуживание устройства без присмотра.
- Детям не следует играть с этим устройством. Убедитесь, что дети и животные находятся на безопасном расстоянии от робота во время работы.
- Это устройство предназначено только для очистки пола в домашних условиях. Не используйте его на открытом воздухе, на поверхностях без пола, а также в коммерческих или промышленных условиях.
- Если шнур питания поврежден или сломан, немедленно прекратите его использование и обратитесь в службу послепродажного обслуживания.
- Не используйте робот в областях, расположенных над полом, без защитного барьера.
- Запрещается переворачивать робота. Запрещается перемещать робот за крышку лазерного датчика расстояния, крышку робота или амортизатор.
- Не используйте робот в средах с температурой окружающей среды выше 40°C или ниже 0°C, а также на полу с жидкостями или липкими веществами.
- Уберите с пола провода перед использованием робота, чтобы он не тянул их во время уборки.
- Уберите с пола хрупкие и мелкие предметы, чтобы робот не врезался в них и не повредил.

Ограничения по эксплуатации

- Во избежание повреждения или нарушения работы устройства из-за волочения предметов перед его включением соберите все посторонние предметы с пола, а также уберите провода и кабели питания с пути движения устройства во время уборки.
- Не допускайте попадания волос, пальцев и других частей тела во всасывающее отверстие робота.
- Храните инструмент для чистки щетки в недоступном для детей месте.
- Не размещайте на роботе детей, животных и какие-либо предметы, независимо от того остановлен он или движется.
- Не используйте робот для уборки любых горящих веществ. Запрещается использовать робот для уборки воспламеняющихся или горючих жидкостей, агрессивных газов, неразбавленных кислот или растворителей.
- Не используйте робот для уборки твердых и острых предметов. Запрещается использовать прибор для уборки камней, крупных кусков бумаги и других предметов, которые могут застрять в приборе.
- Перед очисткой и техническим обслуживанием убедитесь, что робот выключен и док-станция для зарядки отсоединена от источника питания.
- Запрещается протирать робот и зарядную док-станцию влажным полотенцем или промывать жидкостью. Моющиеся элементы необходимо полностью просушить перед установкой на место и дальнейшим использованием.
- Перед транспортировкой убедитесь, что робот выключен, и по возможности храните его в оригинальной упаковке.
- Используйте это устройство согласно руководству пользователя. Пользователи несут ответственность за убытки и ущерб, возникшие из-за несоблюдения инструкций.

Аккумулятор и зарядка

- Не используйте сторонний аккумулятор, зарядное устройство или док-станцию для зарядки. Используйте только с блоком питания RCS0.
- Не разбирайте, не ремонтируйте и не модифицируйте аккумулятор или док-станцию для зарядки самостоятельно.
- Не размещайте док-станцию для зарядки рядом с источником тепла.
- Не вытирайте и не очищайте зарядные контакты влажной тканью или влажными руками.
- Не утилизируйте старые аккумуляторы ненадлежащим образом. Ненужные аккумуляторы следует сдавать в соответствующие пункты переработки.
- Если робот не будет использоваться в течение длительного периода, полностью зарядите его, отключите и храните в сухом прохладном месте. Во избежание чрезмерной разрядки аккумулятора заряжайте робот не реже одного раза в 3 месяца.
- Это устройство оснащено аккумуляторным блоком, который должны заменять только квалифицированные технические специалисты или специалисты отдела послепродажного обслуживания.

Техника безопасности при использовании лазера

- Лазерный датчик в этом изделии соответствует стандарту IEC 60825-1:2014/EN 60825-1:2014/A11:2021 для лазерных изделий класса 1. Избегайте прямого контакта с глазами во время использования такого устройства.

ЛАЗЕРНОЕ ИЗДЕЛИЕ КЛАССА 1
ПОТРЕБИТЕЛЬСКОЕ ЛАЗЕРНОЕ ИЗДЕЛИЕ
EN 50689:2021

Меры предосторожности при хранении и транспортировке

- Продукт должен транспортироваться в упаковке. Не подвергайте продукт давлению или ударам во время транспортировки.
- Пожалуйста, избегайте сильных столкновений во время транспортировки.
- Не транспортируйте прибор при температуре выше 50 °C или ниже -20 °C.
- В течение короткого периода, например одного месяца, прибор рекомендуется хранить при температуре от -20 °C до 50 °C и относительной влажности 60 % ± 5 %. В течение длительного времени храните прибор при температуре окружающей среды от 0 °C до 40 °C.
- Утилизируйте прибор надлежащим образом. Когда его срок службы подойдет к концу, утилизируйте прибор в соответствии с местными законами и правилами страны или региона, в котором он используется.

Правила и условия реализации: без ограничений.

Импортер продает этот продукт; информацию об импортере см. на упаковке.

Сведения об импортере и контактная информация отдела послепродажного обслуживания указаны на упаковке.

Дата изготовления: см. на упаковке

Срок службы продукции 3 года.



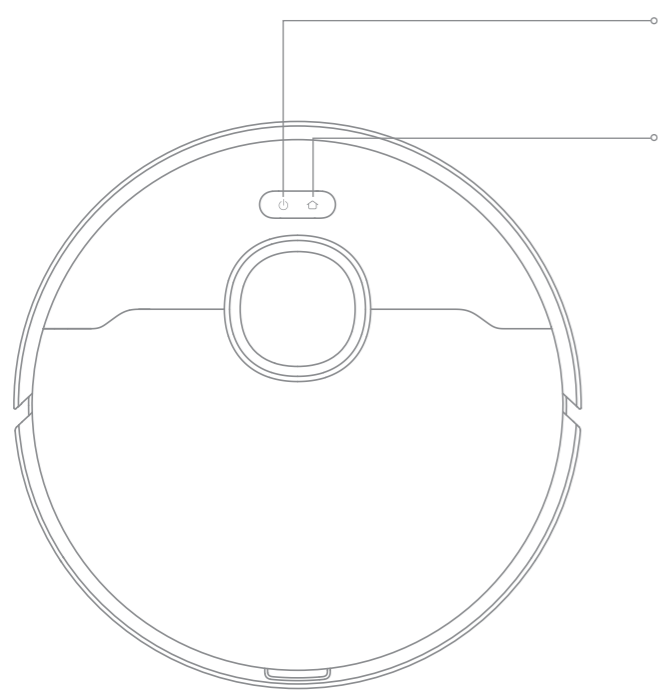
Только для использования в помещении



Прочитайте руководство пользователя

Настоящим компания Dreame Trading (Tianjin) Co., Ltd. заявляет, что тип радиооборудования RLD35GA соответствует требованиям Директивы 2014/53/EU. Полный текст декларации о соответствии нормативным требованиям ЕС доступен по следующему адресу: <https://global.dreametech.com> Подробное электронное руководство см. по адресу <https://global.dreametech.com/pages/user-manuals-and-faqs>

Робот



- Кнопка питания/уборки
 - Нажмите и удерживайте кнопку в течение 3 секунд, чтобы включить или выключить робота
 - Нажмите, чтобы начать уборку, когда робот включен

- Кнопка зарядки / точечной уборки
 - Нажмите кнопку, чтобы отправить робота обратно на базу для зарядки
 - Нажмите и удерживайте кнопку в течение 3 секунд, чтобы начать точечную уборку

Кнопочный индикатор состояния

- Постоянно горит белым: уборка продолжается или уборка завершена
- Мигает оранжевым: ошибка
- Медленно мигает белым: робот заряжается, когда заряд аккумулятора не низкий

Примечание.

- Нажмите любую кнопку на роботе, чтобы поставить процесс на паузу, пока робот выполняет уборку или возвращается для зарядки.
- Блокировку от детей можно включить и выключить с помощью приложения Dreamehome.

Обзор изделия

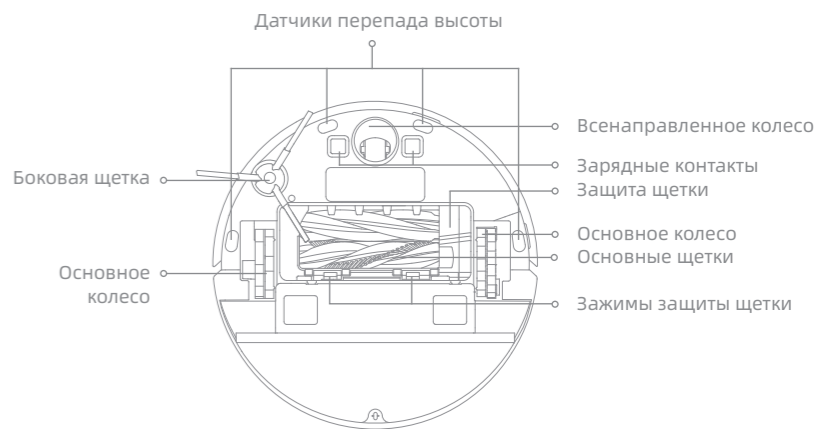
Робот и датчики



- Крышка лидара
- Лидар
- Бампер
- Датчики станции зарядки

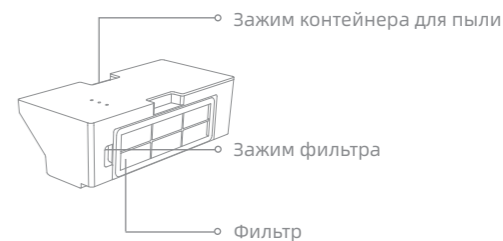


- Кнопка сброса
 - Нажмите и удерживайте кнопку в течение 3 секунд, чтобы восстановить заводские настройки
- Индикатор Wi-Fi
- Крышка
- Контейнер для пыли
- Датчик края
- Бак для воды
- Отводной воздуховод
- Модуль швабры



- Датчики перепада высоты
- Всенаправленное колесо
- Зарядные контакты
- Защита щетки
- Основное колесо
- Основные щетки
- Зажимы защиты щетки
- Боковая щетка
- Основное колесо

Контейнер для пыли

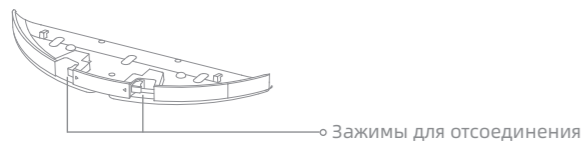


- Зажим контейнера для пыли
- Зажим фильтра
- Фильтр

Обзор изделия

Модуль швабры

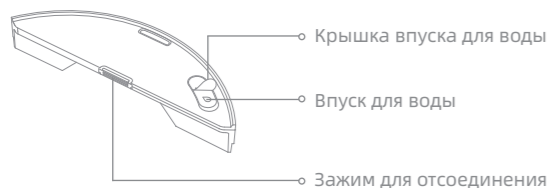
Держатель насадки для швабры



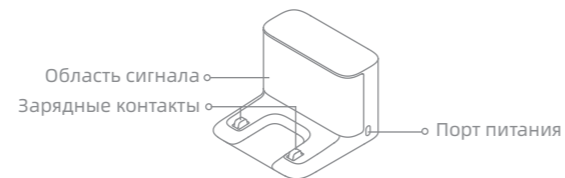
Насадка для швабры



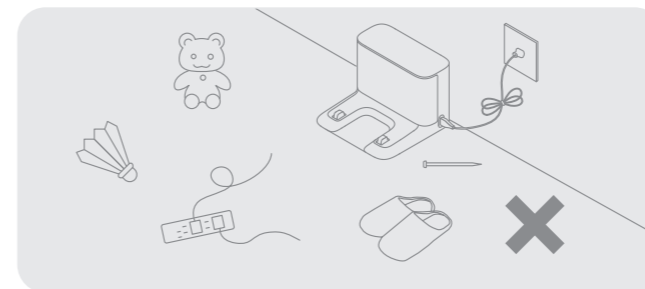
Бак для воды



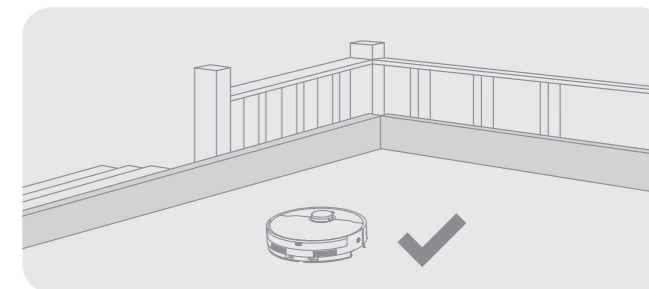
База для зарядки



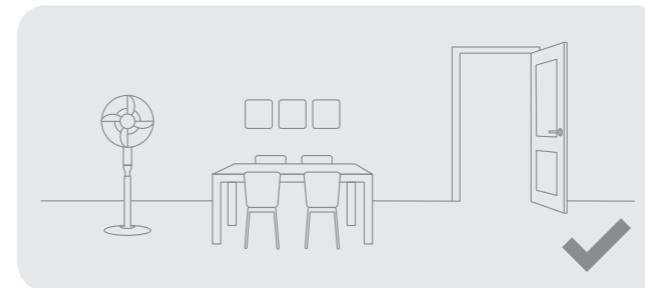
Подготовка дома



Перед началом уборки уберите с пола неустойчивые, хрупкие, ценные и опасные предметы, а также кабели, одежду, игрушки, твердые и острые предметы, чтобы робот не запутался в них, не поцарапал / не опрокинул и не повредил такие предметы.



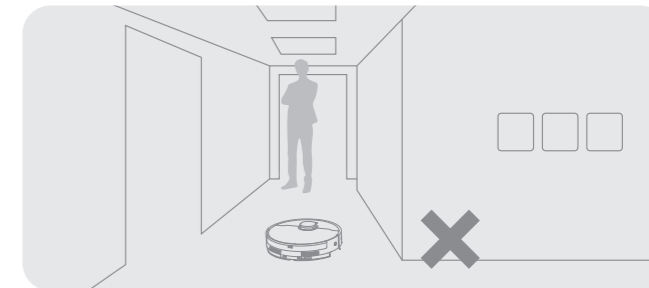
Перед уборкой установите физические барьеры у основания лестницы, чтобы обеспечить безопасность и бесперебойность работы пылесоса.



Откройте дверь помещения, в котором будет проводиться уборка, и расставьте мебель таким образом, чтобы оставить больше пространства для уборки.

Примечание.

- При первом использовании робота находитесь в зоне уборки, чтобы вовремя убирать посторонние предметы с его пути.
- Не допускайте засасывания пылесосом твердых предметов, таких как камни, стальные шарики и детали игрушек, а также острых предметов, таких как строительный мусор, битое стекло и гвозди. При несоблюдении данного требования на полу могут остаться царапины.

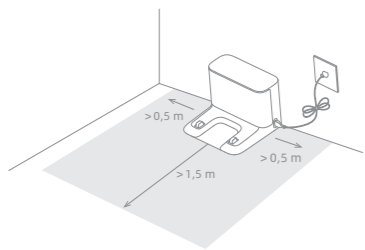


Не вставайте перед роботом, в дверном проеме или узком проходе, чтобы робот не пропустил зоны предстоящей уборки.

Перед использованием

1. Разместите зарядную станцию и подключите ее к розетке

Расположите базу для зарядки на максимально открытой поверхности в месте со стабильным сигналом Wi-Fi. Руководствуясь рисунком, оставьте достаточно места и уберите любые предметы из затененной области. Подсоедините кабель питания к зарядной станции и подключите его к розетке.



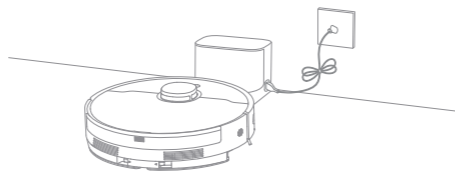
Примечание.

- Не размещайте базу для зарядки в местах, подверженных воздействию прямых солнечных лучей, или в местах, где другие предметы могут блокировать сигнал, так как это может помешать роботу вернуться на базу для зарядки.
- Рекомендуется размещать зарядную станцию на кафельном или мраморном полу, так как на деревянном полу и коврах могут образоваться пятна от воды.

2. Зарядите робота

При установке робота совместите зарядные контакты в нижней части робота с зарядными контактами базы для зарядки: робот автоматически включится и начнет заряжаться.

После того как робот будет полностью заряжен, индикаторы состояния на роботе и зарядной станции останутся гореть в течение 10 минут, а затем погаснут.

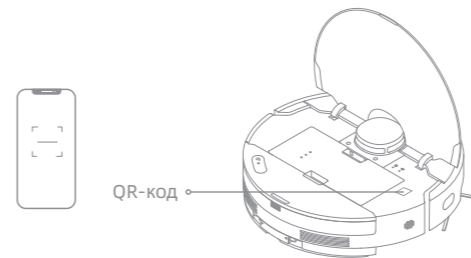


Примечание. Рекомендуется полностью зарядить робота перед первым использованием. Если робот не включается после полной разрядки аккумулятора, вручную подключите робота к зарядной станции для зарядки.

Подключение к устройству с помощью приложения Dreamehome

1. Загрузка приложения Dreamehome

Отсканируйте QR-код, размещенный на роботе, или введите Dreamehome в поисковой строке магазина приложений, чтобы загрузить и установить приложение.



Примечание.

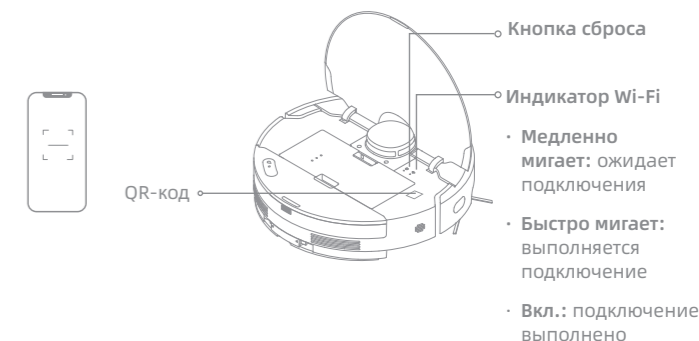
- Поддерживается только сеть Wi-Fi с частотой 2,4 ГГц.
- Приложение регулярно обновляется. Фактические действия могут отличаться от указанных в данном руководстве. Следуйте инструкциям, опираясь на текущую версию приложения.

2. Добавление устройства

Откройте приложение Dreamehome, нажмите «Отсканировать QR-код для подключения» и еще раз отсканируйте тот же QR-код на роботе, чтобы добавить устройство. Для завершения подключения к Wi-Fi следуйте подсказкам.

Примечание.

- Чтобы сбросить настройки Wi-Fi, повторите шаг 2, а затем следуйте инструкциям, чтобы завершить подключение Wi-Fi.
- Для отключения устройства от сети Wi-Fi нажмите и удерживайте кнопку сброса на роботе в течение 3 секунд.



Порядок использования

Включение/выключение

Чтобы включить робота, нажмите и удерживайте кнопку питания в течение 3 секунд. Индикатор питания должен загореться. Поместите робота на базу для зарядки: робот должен автоматически включиться и начать процесс зарядки. Для выключения робота снимите его с зарядной станции, после чего нажмите и удерживайте кнопку питания в течение 3 секунд.

Быстрое построение карты

После первой настройки сети следуйте инструкциям в приложении, чтобы быстро построить карту. Робот начнет строить карту, не приступая к уборке. После того как робот вернется на зарядную станцию, построение карты будет завершено, и карта будет сохранена автоматически.

Начало уборки

После включения робота нажмите кнопку питания, чтобы начать уборку. Робот точно проложит маршрут, методично очистит края и стены, а затем завершит уборку каждой комнаты в форме буквы S для обеспечения тщательной работы.

Примечание. Рекомендуется, чтобы перед уборкой робот покинул базовую станцию. Не перемещайте базу для зарядки, когда робот выполняет уборку. Это гарантирует, что робот беспрепятственно вернется на базу для зарядки.

Пауза / спящий режим

Во время работы пылесоса нажмите на любую кнопку, чтобы сделать паузу в процессе уборки. Через 10 минут после приостановки робот автоматически перейдет в спящий режим. Все индикаторы на роботе выключатся. Для выхода из спящего режима нажмите любую кнопку на роботе или воспользуйтесь приложением.

Примечание. После приостановки и возврата робота на базу для зарядки текущий процесс уборки будет прерван.

Автоматическое возобновление уборки

Если заряд аккумулятора слишком низкий, робот автоматически вернется на зарядную станцию для зарядки. После зарядки аккумулятора до соответствующего уровня робот возобновит выполнение незавершенных задач по уборке.

Примечание. Для использования данной функции включите ее в приложении.

Режим «Не беспокоить»


В режиме «Не беспокоить» робот не сможет возобновить уборку. В заводских настройках режим «Не беспокоить» выключен по умолчанию. Включить режим «Не беспокоить» и изменить его длительность можно в приложении. По умолчанию для режима «Не беспокоить» настроен период времени с 22:00 до 8:00.

Примечание.

- Уборка по расписанию при включенном режиме «Не беспокоить» будет выполняться как обычно.
- Робот возобновит уборку в месте остановки после выхода из режима «Не беспокоить».

Порядок использования

Точечная уборка

Если робот-пылесос находится в состоянии паузы, нажмите и удерживайте кнопку  в течение 3 секунд, чтобы включить режим точечной уборки. В этом режиме робот выполнит уборку квадратного участка 1,5 × 1,5 метра вокруг себя и затем вернется в исходное место после завершения точечной уборки.

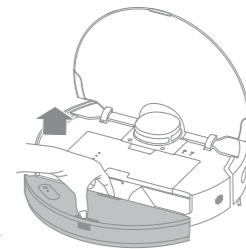
Перезагрузка робота

Если робот не реагирует на команды или не выключается, нажмите и удерживайте кнопку питания в течение 10 секунд для его принудительного выключения. Затем нажмите и удерживайте кнопку питания в течение 3 секунд, чтобы включить робота.

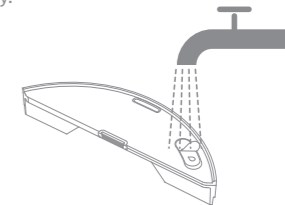
Использование функции влажной уборки

Примечание. Рекомендуется пропылесосить полы не менее трех раз перед первой уборкой для обеспечения лучшего эффекта очистки.

1. Нажмите зажим для отсоединения, чтобы снять бак для воды.



2. Откройте крышку впуска для воды, наполните бак водой и плотно закройте крышку.

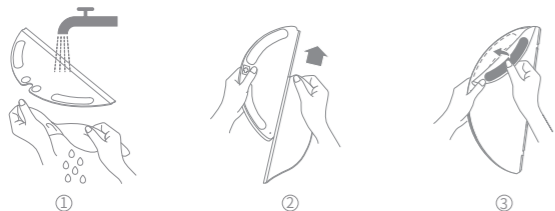


Примечание.

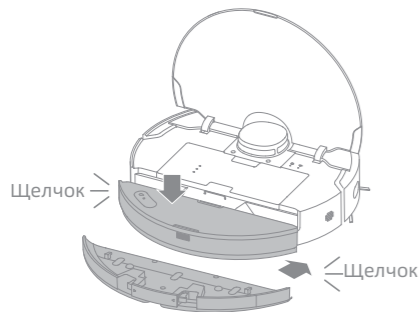
- Запрещается использовать чистящие и дезинфицирующие средства.
- Не наполняйте бак для воды горячей водой, так как это может привести к его деформации.

Порядок использования

3. Смочите насадку для швабры и выжмите лишнюю воду. Установите насадку для швабры, как показано на рисунке.



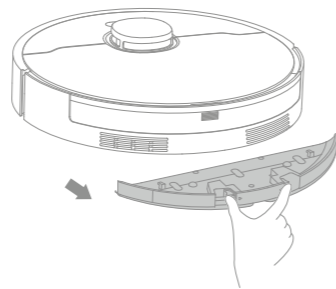
4. Установите бак для воды и держатель насадки на швабру обратно, как показано на рисунке, до щелчка. Чтобы начать уборку, нажмите кнопку питания или воспользуйтесь приложением.



Примечание.

- Не рекомендуется использовать функцию влажной уборки для ковров.
- Используйте приложение для регулировки влажности насадки для швабры по мере необходимости.

5. Когда робот вернется на зарядку после уборки, нажмите на зажим для отсоединения, чтобы снять держатель насадки для швабры, и очистите насадку для швабры в целях предотвращения появления плесени и запахов.



Примечание.

- Мойте насадку для швабры после каждого использования и регулярно сливайте неиспользованную воду из бака.
- Снимайте модуль швабры, когда не моете пол.

Плановое обслуживание

Компоненты

Для обеспечения надлежащей работы пылесоса рекомендуется выполнять его плановое обслуживание в соответствии с разделом «Использование принадлежностей» в приложении или с таблицей ниже.

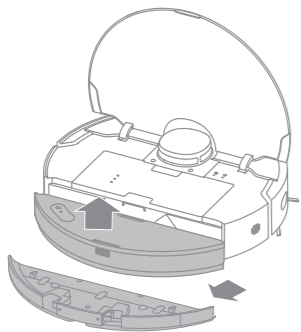
Компонент	Частота обслуживания	Частота замены
Насадка для швабры	После каждого использования	Раз в 3-6 месяцев
Основные щетки	Раз в 2 недели	Раз в 6-12 месяцев
Боковая щетка		Раз в 3-6 месяцев
Фильтр контейнера для пыли		
Область сигнала	Раз в месяц	/
Зарядные контакты		
Лидар		
Датчики станции зарядки		

Компонент	Частота обслуживания	Частота замены
Бампер	Раз в месяц	/
Датчик края		
Всенаправленное колесо		
Датчики перепада высоты		
Нижняя часть робота		
Контейнер для пыли	Очищать по мере необходимости	/
Основные колеса		
Бак для воды		

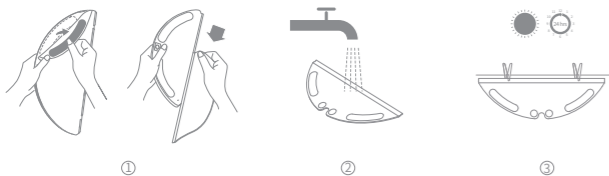
Примечание. Частота замены зависит от способа использования робота. При возникновении исключительных обстоятельств следует выполнить замену компонентов.

Модуль влажной уборки

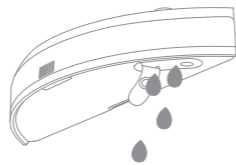
1. Снимите бак для воды и держатель насадки для швабры.



2. Снимите и промойте насадку для швабры только водой, затем полностью высушите ее перед повторной установкой.



3. Вылейте воду из бака. Промойте бак только водой и дайте ему высохнуть на воздухе перед повторной установкой.



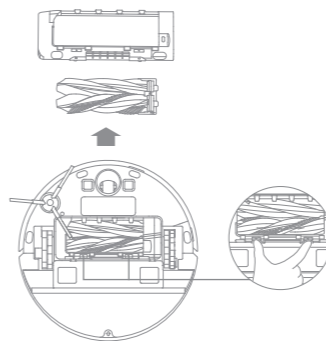
Примечание. Не подвергайте бак для воды прямому воздействию солнечных лучей.

4. Если поток воды медленный или неравномерно распределен, очистите отверстие для воздуха на крышке впуска для воды.

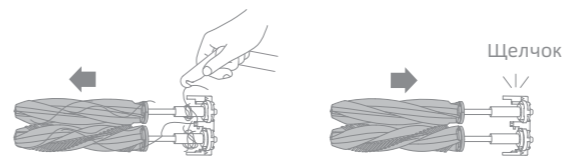


Основные щетки

1. Надавите на зажимы защиты щетки, чтобы извлечь защиту щетки, а затем выньте щетки из робота.

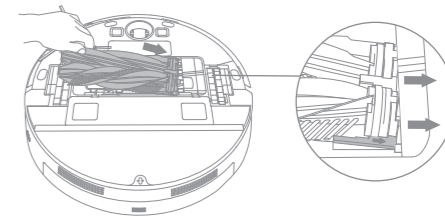


2. Выньте щетки, как показано на рисунке. С помощью соответствующего инструмента для чистки удалите волосы, запутавшиеся в щетках. После очистки плотно толкните щетки в держатель основной щетки, пока они не встанут на место со щелчком.

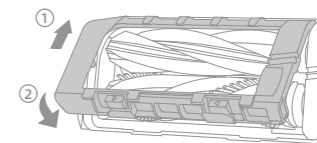


Примечание. Будьте осторожны, вынимая основные щетки, чтобы не получить травму.

3. Вставьте держатель основной щетки в разъемы под наклоном вниз так, чтобы напечатанные стрелки были направлены вверх.



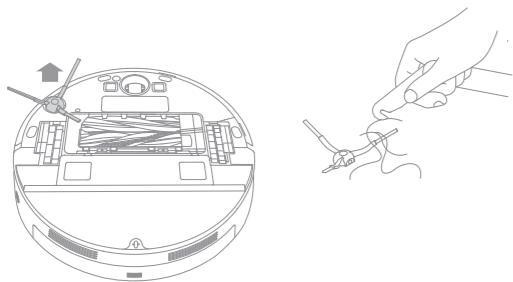
4. Совместите передний конец защиты щетки с прорезью, вставьте его вниз с наклоном, а затем зафиксируйте на месте.



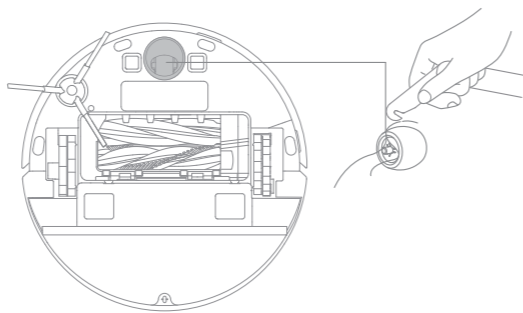
Плановое обслуживание

Боковая щетка

Снимите и очистите боковую щетку.



Всенаправленное колесо



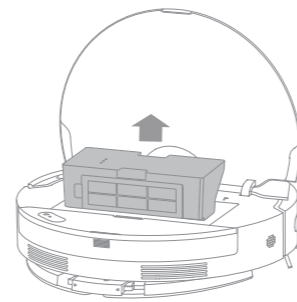
Примечание.

- Отделите ось и обод всенаправленного колеса с помощью небольшой отвертки. Не прилагайте чрезмерных усилий.
- Промойте всенаправленное колесо под проточной водой, тщательно просушите и установите на место.

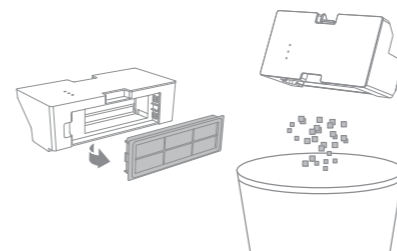
Плановое обслуживание

Контейнер для пыли и фильтр

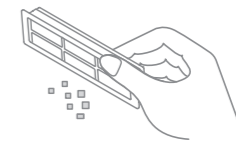
1. Откройте крышку робота и нажмите на зажим, чтобы снять его.



2. Снимите фильтр контейнера для пыли и опорожните контейнер.

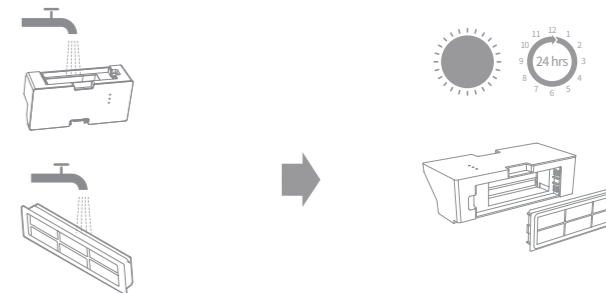


3. Осторожно постучите по корзине фильтра, чтобы удалить грязь.



Примечание. Не пытайтесь чистить фильтр щеткой, пальцами или острыми предметами, чтобы не повредить его.

4. Промойте контейнер для пыли и фильтр водой, а затем тщательно просушите их перед повторной установкой.

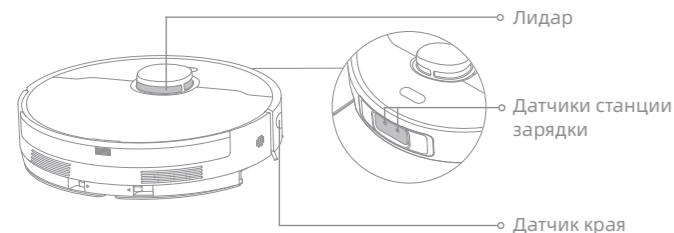


Примечание.

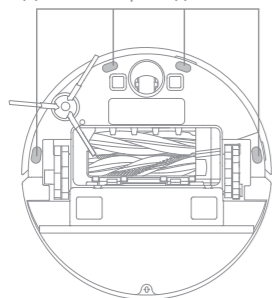
- Промывайте контейнер для пыли и фильтр только чистой водой. Запрещается использовать чистящее средство.
- Используйте контейнер для пыли и фильтр только после их полной просушки.

Датчики робота

Протрите датчики робота мягким и сухим полотенцем, как показано на рисунке ниже:



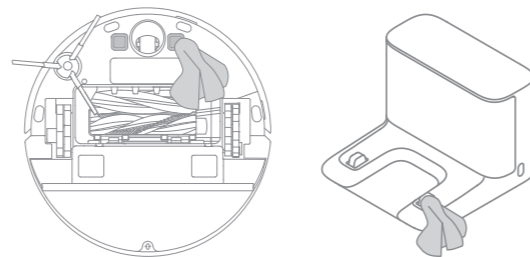
Датчики перепада высоты



Примечание. Влажное полотенце может повредить чувствительные элементы робота и базы для зарядки. Для очистки используйте только сухую ткань.

Зарядные контакты и область сигнала

Очистите зарядные контакты и область сигнала мягким и сухим полотенцем.




Аккумулятор

Робот оборудован высокопроизводительным литий-ионным аккумулятором. Для гарантии оптимальной работы следите, чтобы аккумулятор был заряжен. Если робот не используется в течение продолжительного времени, выключите и уберите его. Во избежание повреждений от глубокой разрядки аккумулятора заряжайте робота минимум один раз каждые три месяца.

Проблема	Решение
Робот не включается.	<ul style="list-style-type: none"> Низкий заряд аккумулятора. Зарядите робота на базе для зарядки и повторите попытку. Температура аккумулятора слишком высокая или слишком низкая. Рекомендуется использовать робот-пылесос в условиях с температурой окружающей среды выше 0 °C и ниже 40 °C.
Робот не заряжается.	<ul style="list-style-type: none"> База для зарядки не подключена к источнику питания. Убедитесь, что оба конца кабеля питания корректно подключены. Зарядные контакты базы для зарядки и робота слабо контактируют. Очистите зарядные контакты.
Сбой подключения робота к сети Wi-Fi.	<ul style="list-style-type: none"> Неверный пароль от сети Wi-Fi. Убедитесь, что пароль для подключения к сети Wi-Fi введен верно. Робот не поддерживает сети Wi-Fi с частотой 5 ГГц. Убедитесь, что робот подключен к сети Wi-Fi с частотой 2,4 ГГц. Слабый сигнал Wi-Fi. Убедитесь, что робот находится в зоне стабильного сигнала Wi-Fi. Робот не готов к настройке. Выйдите из приложения и зайдите еще раз, затем повторите попытку согласно инструкциям.
Робот не может вернуться на зарядную станцию.	<ul style="list-style-type: none"> Маршрут возврата для подзарядки заблокирован, например закрыта дверь. База для зарядки отключена от источника питания или была перемещена, пока робот выполнял уборку. Подключите базу для зарядки к источнику электропитания или поместите робота на зарядную станцию для зарядки. Вокруг базы для зарядки слишком много препятствий. Расположите базу для зарядки на более открытом пространстве. Из-за перемещения робот может начать определять свое местоположение повторно. В случае сбоя повторного определения местоположения карта будет создана повторно. Если робот находится слишком далеко от зарядной станции, он не сможет автоматически вернуться самостоятельно. В таком случае необходимо вручную вернуть робота на зарядную станцию. Протрите область сигнала зарядной станции, чтобы удалить пыль или грязь.
Робот застрял перед зарядной станцией и не может вернуться на нее.	<ul style="list-style-type: none"> Проверьте, достаточно ли места с обеих сторон зарядной станции и перед ней, чтобы робот не застрял. Робот может скользить, если участок пола перед зарядной станцией слишком мокрый. В таком случае необходимо убрать излишки воды и повторить попытку. Рекомендуется переместить зарядную станцию в другое место и повторить попытку.
Робот не выключается.	<ul style="list-style-type: none"> Робота нельзя выключить во время зарядки. Чтобы выключить робота, рекомендуется убрать его с базы для зарядки, а затем нажать и удерживать кнопку питания в течение 3 секунд. Если робота невозможно выключить согласно инструкциям, описанным в пункте 1, нажмите и удерживайте кнопку питания в течение 10 секунд, чтобы принудительно выключить его. Если проблема сохраняется, свяжитесь со службой послепродажного обслуживания.

Устранение неисправностей

Проблема	Решение
Робот заряжается медленно.	<ul style="list-style-type: none"> При низком заряде полная зарядка аккумулятора занимает около 6 часов. Если робот используется при температуре, которая не соответствует установленному диапазону, скорость зарядки автоматически снижается, чтобы увеличить время использования аккумулятора. Зарядные контакты робота и базы для зарядки могли загрязниться. Протрите их сухим полотенцем.
В процессе работы пылесоса увеличивается уровень шума.	<ul style="list-style-type: none"> Проверьте фильтр контейнера для пыли на наличие засора. При наличии засора очистите или замените фильтр. В основных щетках или контейнере для пыли мог застрять твердый предмет. Проверьте и удалите все твердые предметы. В основных щетках или боковой щетке мог запутаться посторонний предмет. Проверьте и удалите все посторонние предметы. Переключите режим всасывания на «Стандартный» или «Тихий».
Робот не придерживается установленного маршрута.	<ul style="list-style-type: none"> Перед началом использования робота все посторонние предметы, такие как кабели питания и тапки, необходимо убрать в сторону. Основное колесо скользит на влажной скользкой поверхности. Рекомендуется просушить влажные зоны перед началом использования робота.
Робот пропускает комнаты во время уборки.	<ul style="list-style-type: none"> Убедитесь, что двери в комнаты, которые необходимо убрать, открыты. Убедитесь, что высота дверного порога в комнату не превышает 2 см. Робот не может переезжать через высокие пороги и ступеньки. Пространство перед комнатой, которую необходимо убрать, может быть влажным и скользким, поэтому робот скользит и работает некорректно. Попробуйте просушить пол перед началом использования робота.
Робот не может возобновить уборку после подзарядки.	<ul style="list-style-type: none"> Убедитесь, что режим «Не беспокоить» выключен. В противном случае робот не сможет возобновить уборку. Робот не возобновит уборку после того, как вы вручную разместите его на базу для зарядки или отправите на подзарядку с помощью приложения либо путем нажатия кнопки .
Вода из бака для воды не выходит совсем или выходит в очень малом количестве.	<ul style="list-style-type: none"> Проверьте, есть ли вода в баке для воды. Очистите отверстие для воздуха на крышке впуска для воды. Очистите насадку для швабры, если она грязная. Убедитесь, что насадка для швабры и держатель насадки для швабры установлены правильно в соответствии с руководством пользователя.

Устранение неисправностей

Проблема	Решение
Робот неисправен.	<ul style="list-style-type: none"> Выключите робота, а затем снова включите его.
Робот больше не выполняет уборку эффективно или оставляет после себя пыль.	<ul style="list-style-type: none"> Контейнер для пыли полон. Выполните очистку. Фильтр засорен. Выполните очистку. Посторонний предмет застрял в основной щетке. Выполните очистку.
Робот не выполняет уборку по расписанию.	<ul style="list-style-type: none"> Низкий заряд аккумулятора робота. Уборка по расписанию не начнется, если у робота останется менее 15 % заряда аккумулятора.

Для получения дополнительной технической поддержки свяжитесь с нами на сайте <https://global.dreameotech.com>.

Технические характеристики

Робот

Модель	RLD35GA
Время зарядки	Около 6 ч
Номинальное напряжение	14,4 V ---
Номинальная мощность	75 W
Рабочая частота	2400-2483,5 MHz
Макс. выходная мощность	< 20 dBm

При обычных условиях использования между антенной данного оборудования и телом пользователя должно сохраняться расстояние не менее 20 см.

База для зарядки

Модель	RCSO
Номинальный вход	100-240 V \sim 50/60Hz 0,5A
Номинальный выход	19,8 V --- 1 A

Извлечение и утилизация аккумулятора

Встроенный литий-ионный аккумулятор содержит вещества, представляющие опасность для окружающей среды. Перед утилизацией аккумулятора в соответствующем пункте переработки его должен извлечь из устройства квалифицированный специалист.

- Для утилизации аккумулятора необходимо вынуть из устройства.
- При извлечении аккумулятора устройство должно быть отключено от электросети.
- Аккумулятор необходимо утилизировать безопасным способом.

ВНИМАНИЕ!

Перед извлечением аккумулятора отключите прибор от источника питания и максимально израсходуйте заряд аккумулятора.

Ненужные аккумуляторы необходимо утилизировать в приспособленном для этого месте.

Запрещается оставлять устройство при высокой температуре во избежание взрывов.

При нарушении правил эксплуатации из аккумулятора может вылиться электролит. В случае контакта с электролитом промойте пораженный участок водой и обратитесь за медицинской помощью.

Инструкции по извлечению:

1. Переверните робота, с помощью подходящего инструмента открутите винты на его задней части, а затем снимите крышку.
2. Чтобы извлечь аккумулятор, отсоедините клеммы между аккумулятором и печатной платой.

Информация об утилизации и переработке отходов электрического и электронного оборудования



Все устройства с символом раздельного сбора отработанного электрического и электронного оборудования (Директива WEEE 2012/19/EU) следует утилизировать отдельно от несортируемых бытовых отходов. С целью охраны здоровья и защиты окружающей среды такое оборудование необходимо сдавать на переработку в специальные пункты приема электрического и электронного оборудования, определенные правительством или местными органами власти. Правильная утилизация и переработка помогут предотвратить возможные негативные последствия для окружающей среды и здоровья человека. Для получения информации о местонахождении и порядке приема устройств в пунктах приема обратитесь в компанию, занимающуюся установкой оборудования, или в местные органы власти.

EN Warranty

1. Dreame is liable to the consumer for any lack of conformity in material or workmanship not detectable at the time of the purchase.
2. Warranty period: please refer to the customer service office for more information. If the territory where the consumer is located has different regulations, local regulations prevail.
3. The warranty will not be applicable in the following cases:
 - a) Issues due to carelessness, use, or installation that does not comply with the instructions provided by Dreame.
 - b) Tampering and/or modifications of the product by entities or individuals not expressly authorized by Dreame.
 - c) Damage due to accidental causes and/or negligence on the part of the consumer, with particular reference to external parts.
 - d) Parts subject to wear that do not have manufacturing defects.
 - e) No valid purchasing document (receipt, invoice, or other) is provided to certify the date the product was purchased.
 - f) The model and/or numbers of the product on the purchase certificate is not consistent with the model and/or numbers shown on the product.
4. Please scan the QR code to get after-sales contact information.
5. The after-sales service (including quality warranty) in diverse regions is solely applicable to the local version of Dreame products. Please contact the after-sales service in the region where your product version originates for support.

Contact us



 **Website:** <https://global.dreametech.com>

RU Гарантийное обязательство

1. Dreame несет ответственность перед потребителями за любое несоответствие материалов или качества изготовления, которое не было обнаружено в момент покупки.
2. Гарантийный срок: пожалуйста, обратитесь в офис обслуживания клиентов для получения дополнительной информации. Если территория, на которой находится потребитель, имеет разные правила, преимущественную силу имеют местные правила.
3. Гарантийное обязательство не распространяется на следующие случаи:
 - a) Небрежность, использование или установка без учета инструкций, предоставленных Dreame;
 - b) Вмешательство и (или) модификация изделия лицами, прямо не уполномоченными Dreame;
 - c) Повреждения, вызванные случайными причинами и (или) небрежностью со стороны потребителя, особенно в отношении внешних компонентов;
 - d) Детали, подверженные износу, которые не имеют производственных дефектов;
 - e) Отсутствие действительного документа о покупке (квитанции, чека или др.), подтверждающего дату покупки изделия;
 - f) Несоответствие модели и (или) номера изделия в сертификате покупки указанным на изделии.
4. Отсканируйте QR-код, чтобы получить контактные данные центра послепродажного обслуживания.
5. Послепродажное обслуживание (включая гарантию качества) в различных регионах распространяется исключительно на локальную версию продукции Dreame. Для получения технической поддержки обратитесь в службу послепродажного обслуживания в том регионе, где продается ваша версия продукта.

